

This Owner's Manual is provided and hosted by [Appliance Factory Parts](#).



Alfresco ALXE-56BFG Owner's Manual

[Shop genuine replacement parts for Alfresco
ALXE-56BFG](#)

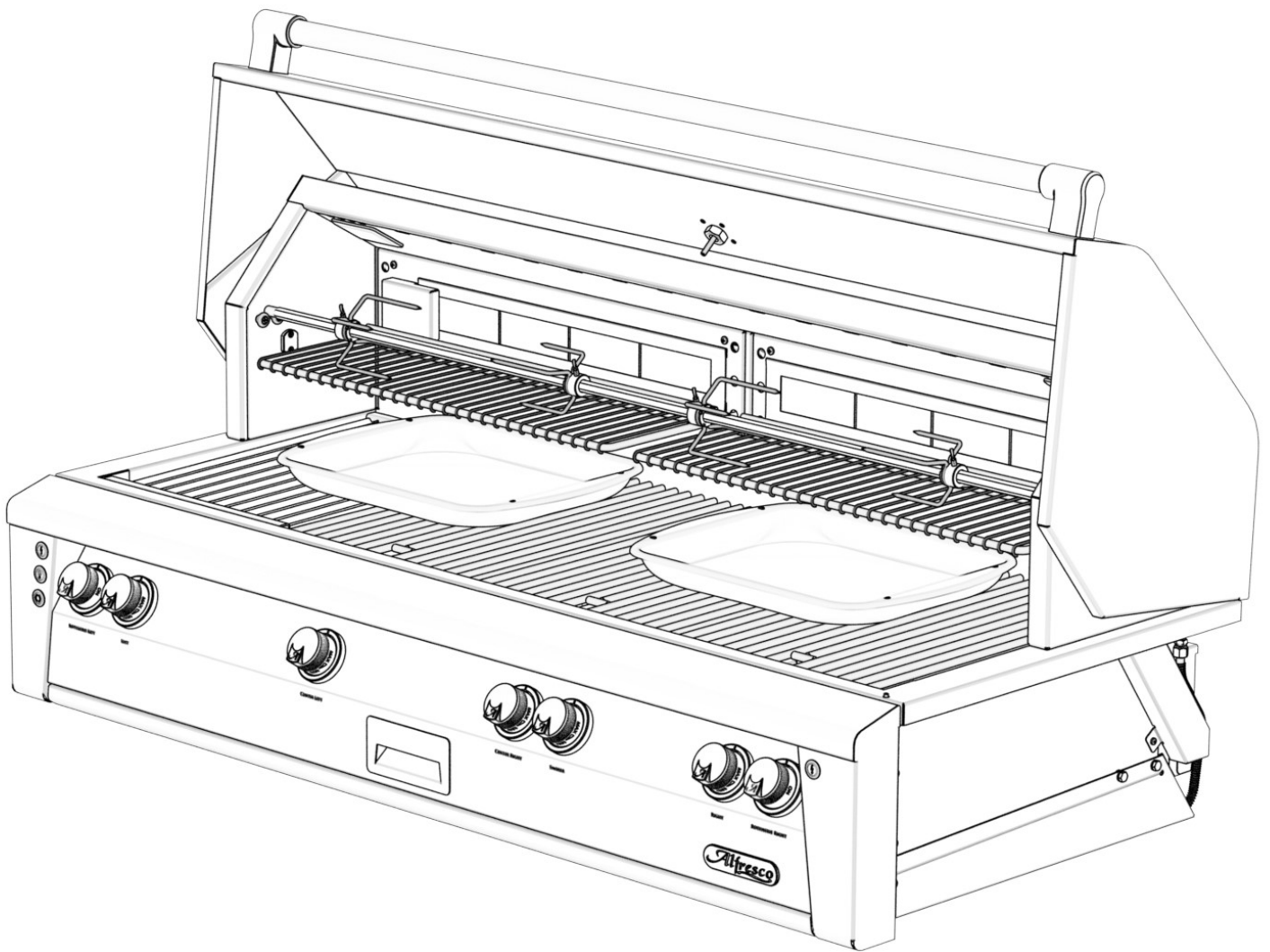


[Find Your Alfresco Grill Parts - Select From 126 Models](#)

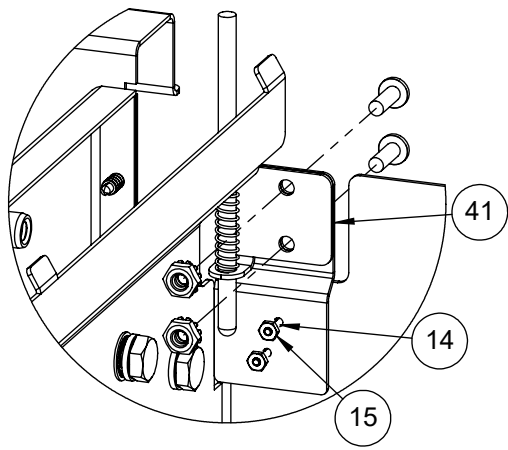
----- Manual continues below -----

Alfresco™

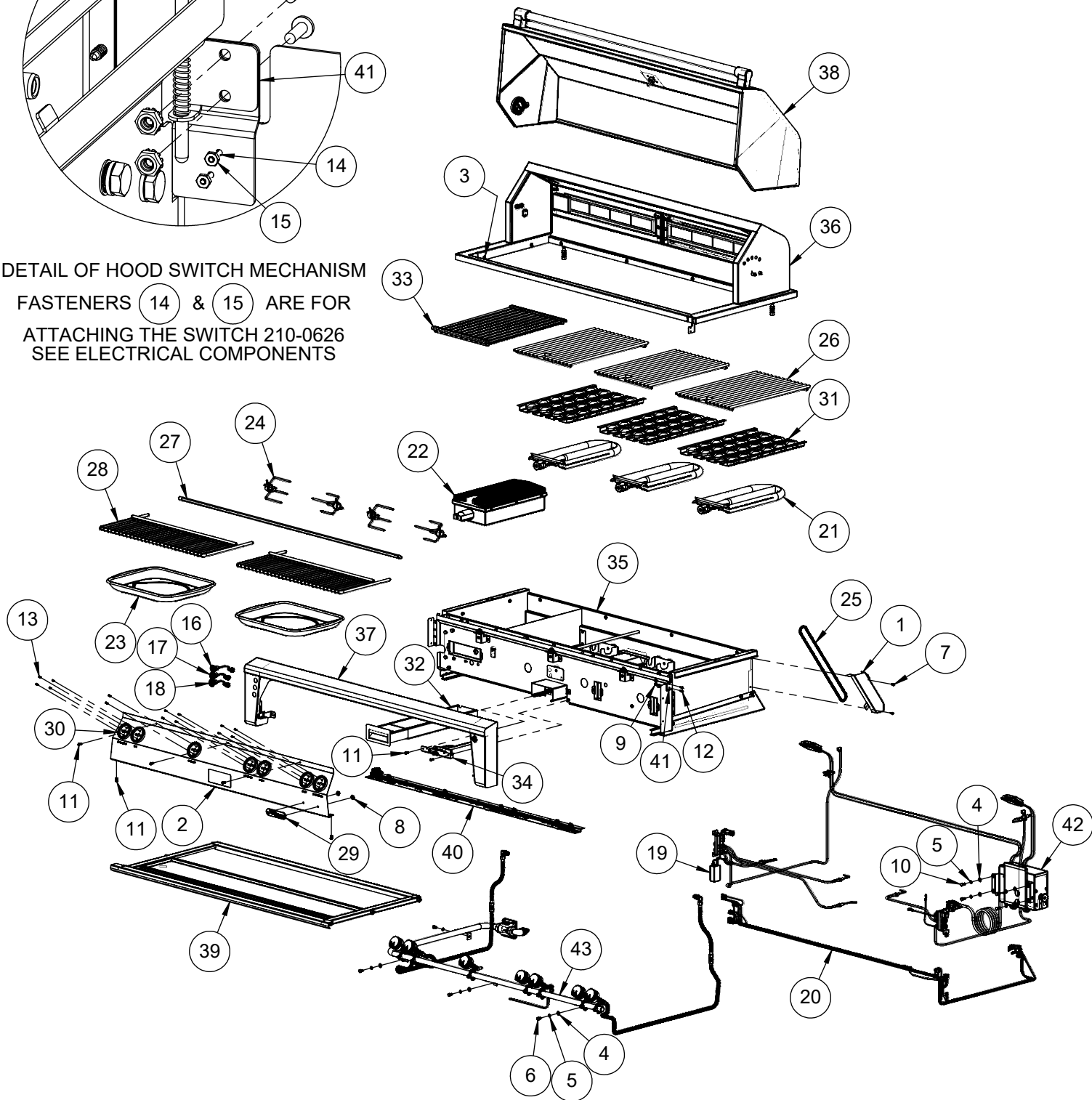
Open Air Culinary Systems



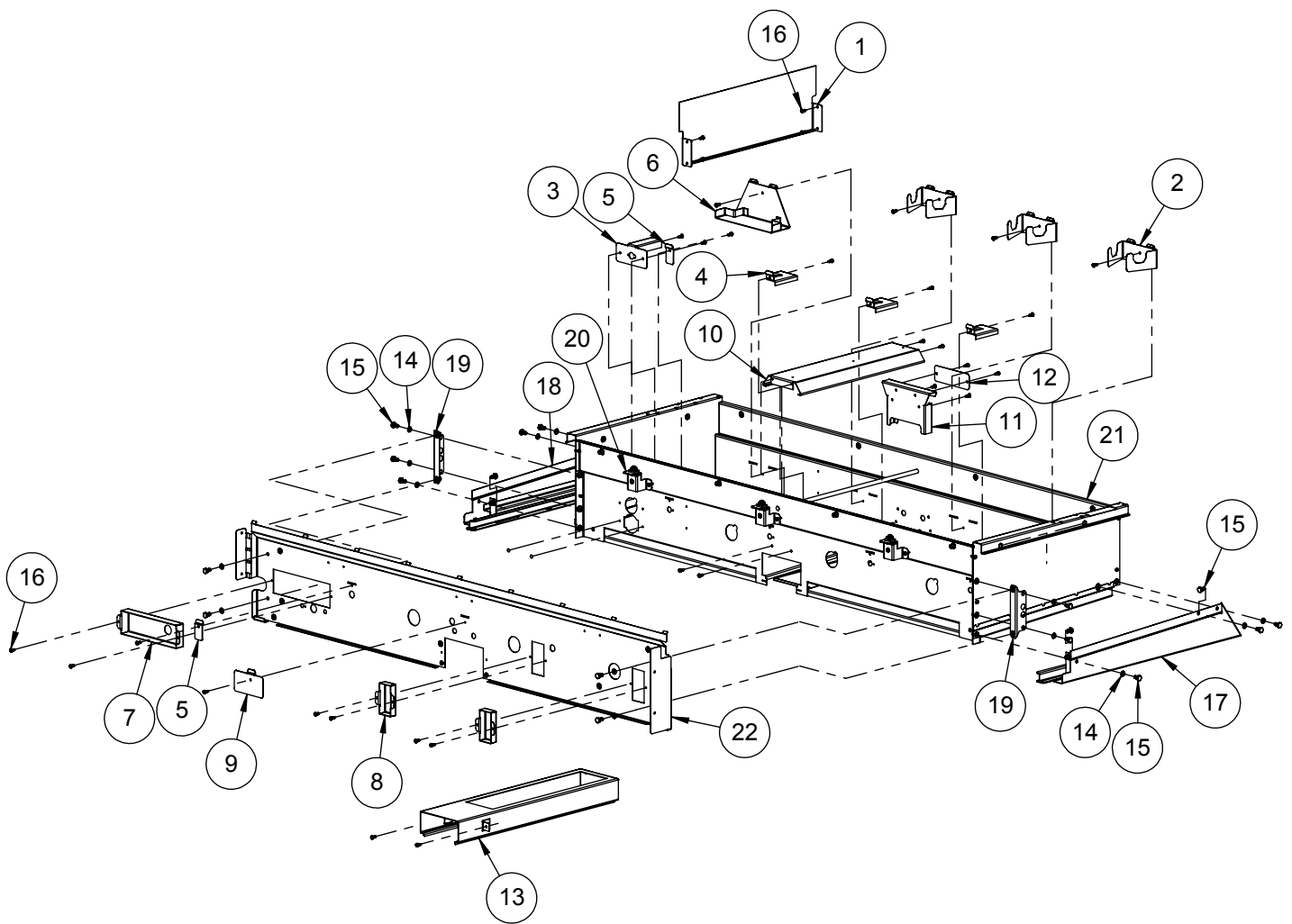
ALXE-56BFG Parts Manual
Serial Numbers up to 17-99999



DETAIL OF HOOD SWITCH MECHANISM
 FASTENERS (14) & (15) ARE FOR
 ATTACHING THE SWITCH 210-0626
 SEE ELECTRICAL COMPONENTS

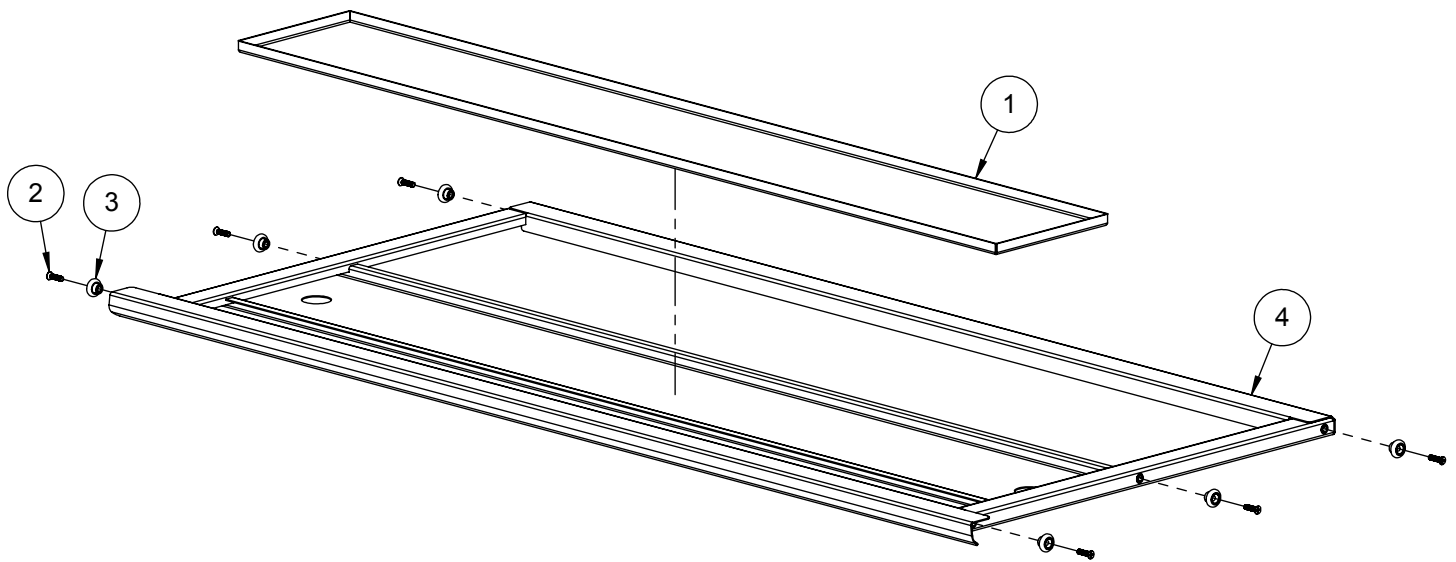


ITEM	PART NUMBER	DESCRIPTION	QTY
1	100-1877	ALX2 - ROTISSERIE CHAIN COVER	1
2	130-3070	FRONT PANEL	1
3	200-0057	SCREW 1/4-20 X 1/2 - TRUSS HEAD - PHILLIPS	12
4	200-0074	FLAT WASHER 1/4 TYPE A NARROW	7
5	200-0087	WASHER - 1/4" SPRING LOCK- REGULAR - SS	11
6	200-0089	BOLT - HEX HEAD 1/4-20 x 1/2" L	7
7	200-0111	SCREW 8-18 X 1/2 - SELF TAP - 410 SS	2
8	200-0125	NUT THREAD CUTTER FOR 1/4" Ø STUD -SPEED NUT	2
9	200-0206	8-32 KEP NUT 18-8 STAINLESS	2
10	200-0219	HEX HD MACHINE SCREW 1/4-20 UNC X 5/8 LONG SS	4
11	200-0267	10-32 X 1/2 - PAN HEAD - PHILLIPS SCREW	7
12	200-0270	8-32 PAN HD X 1/2 PHILLIPS 18-8 SS	2
13	200-0348	Screw 6-32 x 3/8 Flat Head (82°) phillips - Thread Cutter - #2 Drive - SS 410	14
14	200-0362	18-8 SS PAN HEAD SCREW 2-56 X 3/8	2
15	200-0363	18-8 SS HEX NUT 2-56	2
16	210-0583	SWITCH - IGNITION - MOMENTARY [ON]/OFF	2
17	210-0584	SWITCH - LIGHT - LATCHING [ON/OFF]	1
18	210-0585	SWITCH - ROTISSERIE - LATCHING [ON/OFF]	1
19	210-0623	TRANSFORMER ASSY FOR ALXE	1
20	210-0632	ALXE-56BFG WIRING HARNESS	1
21	290-0038	BURNER - GRILL - "U" SHAPE	3
22	290-0052	ALFRESCO SEAR ZONE™ BURNER ASSEMBLY	1
23	290-0059	ROTISSERIE DRIP PAN	2
24	290-0096	FORK ASSEMBLY	4
25	290-0116	CHAIN - ANSI # 25 - 1/4" PITCH - .13" Ø X 1/8" ROLLER	1
26	290-0124	GRILL 30" BBQ - 12 3/4" WIDE - SS	3
27	290-0176	ALX2-56 BFG ROTISSERIE SPEAR	1
28	290-0315	ALX2-30 WARMING RACK - SS	2
29	290-0377	ALFRESCO RANGE LOGO	1
30	290-0388	ALFRESCO RANGE KNOB - BEZEL RING	7
31	510-0522	ALX2 - BRIQUETTE TRAY ASSEMBLY	3
32	510-0912	ALXE SMOKER BOX	1
33	510-0913	SEARZONE™ GRILL ASSEMBLY	1
34	510-0918	ALXE SMOKER BURNER ASSEMBLY	1
35	510-0968	ALXE-56BFG FIREBOX MAIN ASSEMBLY	1
36	510-0971	REAR HOOD & RIM ASSEMBLY	1
37	510-0974	FRONT PANEL PERIMETER	1
38	510-0975	ALXE-BFG FRONT HOOD	1
39	510-0985	56" DRIP TRAY ASSEMBLY	1
40	510-1002	ALXE-56BFG LED LIGHT FIXTURE	1
41	510-1026	ALXE HOOD SWITCH MECHANISM	1
42	510-1054	ALXE-56BFG ELECTRICAL COMPONENTS	1
43	510-1058	GAS MANIFOLD ASSEMBLY	1

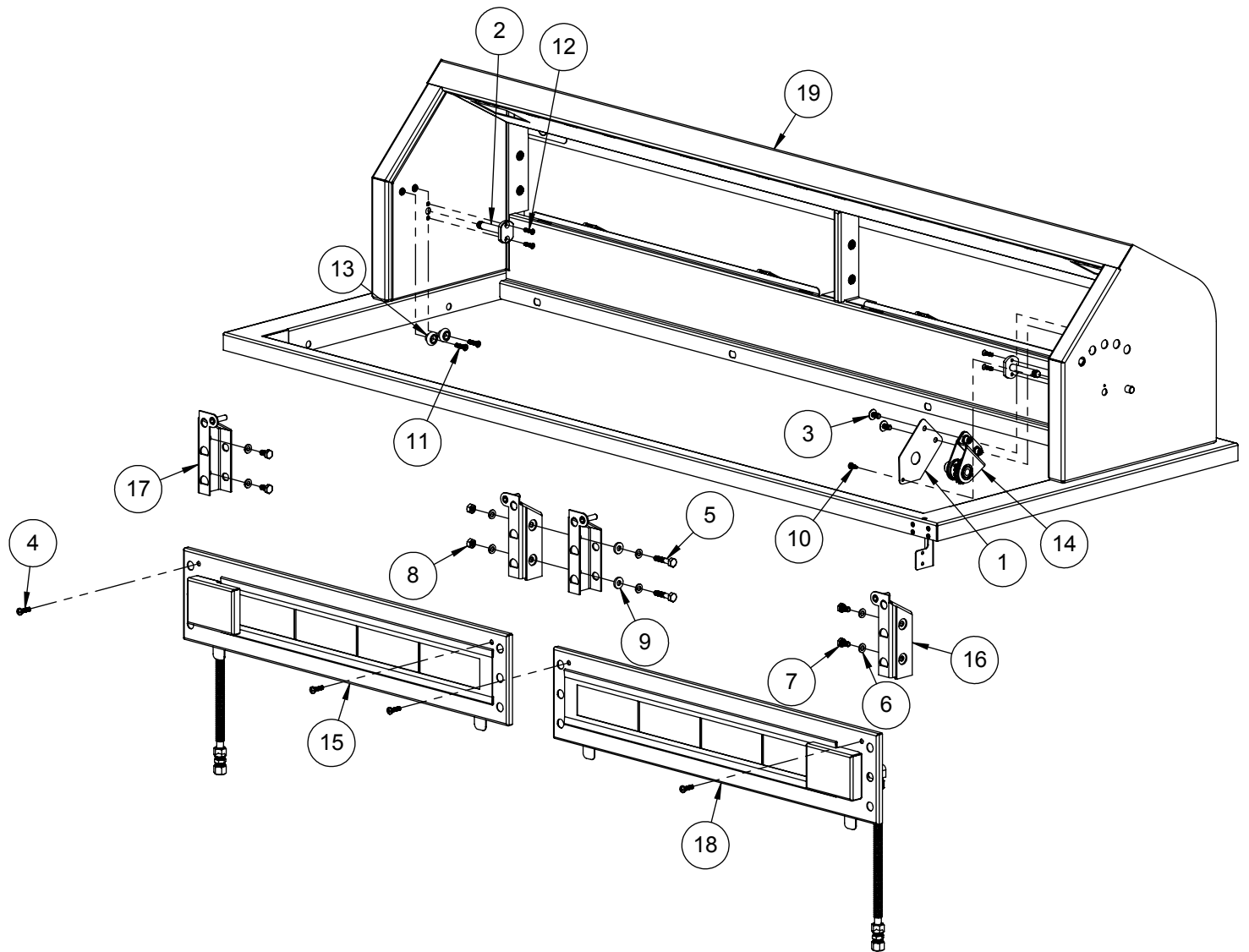


ITEM	PART NUMBER	DESCRIPTION	QTY
1	100-1201	BFG SEARZONE™ HEAT SHIELD	1
2	100-1846	ALX2 - U-BURNER BRACKET	3
3	100-1847	ALX2 - SEAR-ZONE IGNITER BRACKET / SHIELD	1
4	100-1848	ALX2 - IGNITER SHIELD	3
5	100-1849	ALX2 - IGNITER HOLE COVER	2
6	100-1884	ALX2 - SEAR-ZONE™ BURNER BRACKET	1
7	100-1887	ALX2 - DUAL VALVE FIREWALL COVE	1
8	100-1888	ALX2 - SINGLE VALVE FIREWALL COVE	2
9	100-1890	ALX2 - FIREWALL OPENING COVER FOR SEARZONE™	1
10	130-3040	ALXE SMOKER BOX TOP DIFFUSER	1
11	130-3041	FLUE	1
12	130-3047	REAR COVER PLATE	1
13	130-3100	SMOKER BOX BODY	1
14	200-0087	WASHER - 1/4" SPRING LOCK- REGULAR - SS	18
15	200-0089	BOLT - HEX HEAD 1/4-20 x 1/2" L	18
16	200-0111	SCREW 8-18 X 1/2 - SELF TAP - 410 SS	40
17	510-0502	ALX2 - GREASE TRAY SUPPORT - RIGHT SIDE	1
18	510-0503	ALX2 - GREASE TRAY SUPPORT - LEFT SIDE	1
19	510-0520	ALX2 - FIREWALL SUPPORT BRACKET ASSEMBLY	2
20	510-0904	ALXE FRONT PANEL MNTG BRKT	3
21	510-0969	FIREBOX WELDED PARTS	1
22	510-0978	FIREWALL ASSEMBLY	1

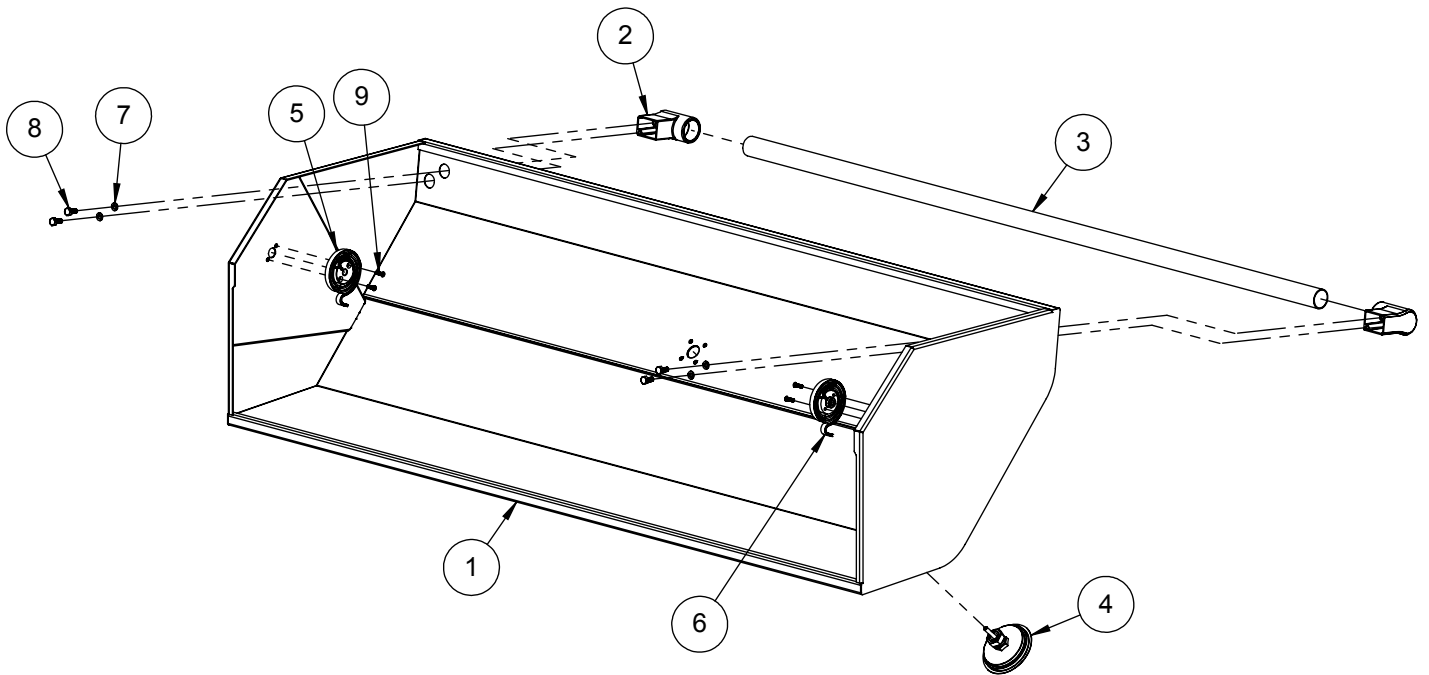
ITEM	PART NUMBER	DESCRIPTION	QTY
1	130-3109	DRIP TRAY INSERT	1
2	200-0148	SCREW 10-32 X 3/4" - FLAT HEAD - PHILLIPS - 82° - SS	6
3	290-0119	ROLLER WHEEL - STAINLESS STL - 3/4" Ø -	6
4	510-0984	DRIP TRAY WELDED PARTS	1



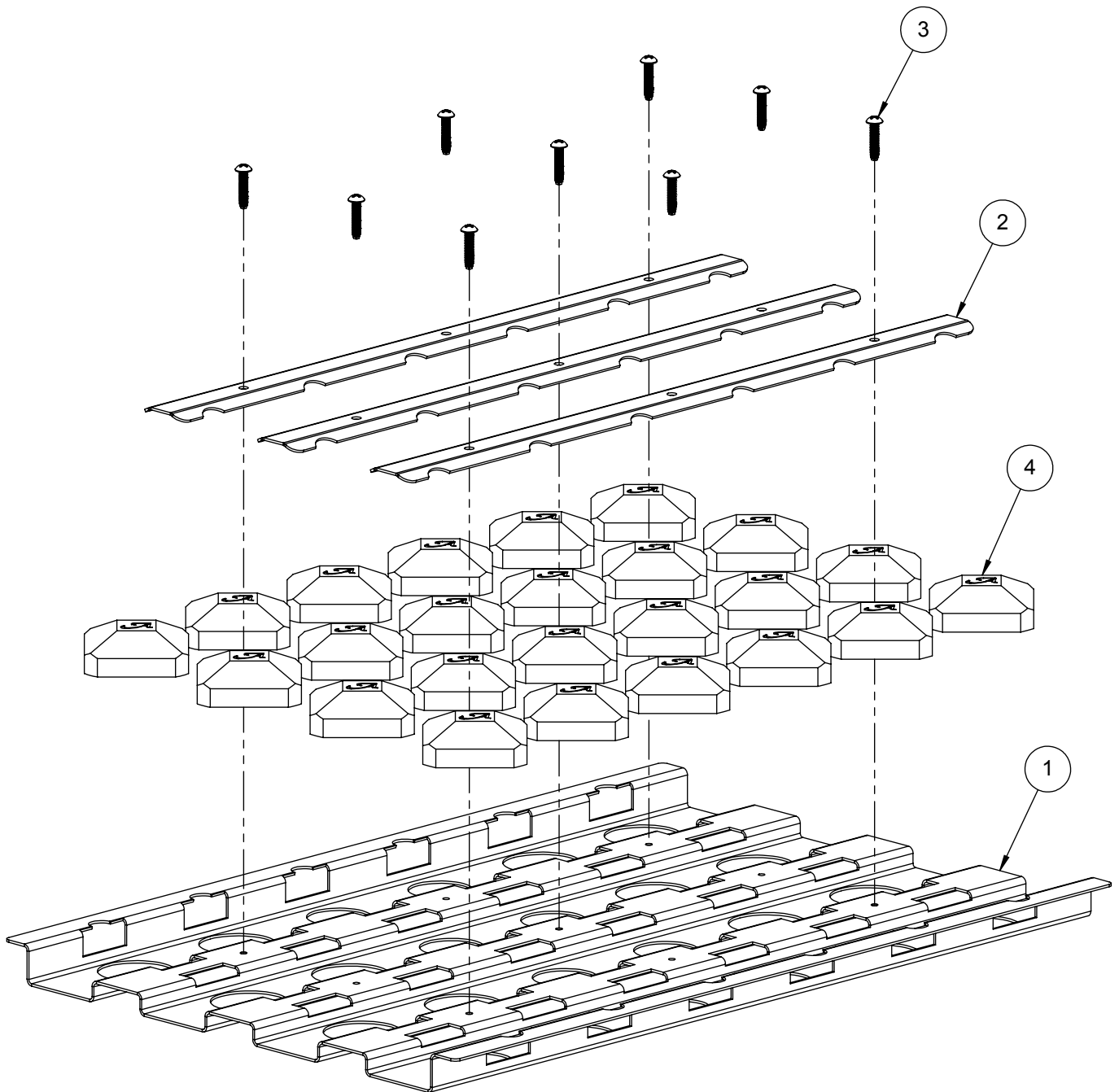
ITEM	PART NUMBER	DESCRIPTION	QTY
1	100-1092	ALX2 - ROTISSERIE GEAR COVER	1
2	130-2985	PIVOT PIN	2
3	200-0057	SCREW 1/4-20 X 1/2 - TRUSS HEAD - PHILLIPS	2
4	200-0062	10-32 X 3/4 - PAN HEAD - PHILLIPS SCREW	4
5	200-0065	SCREW 1/4-20 x 1-1/4" - SS - HEX HEAD	2
6	200-0087	WASHER - 1/4" SPRING LOCK- REGULAR - SS	8
7	200-0089	BOLT - HEX HEAD 1/4-20 x 1/2" L	4
8	200-0090	1/4-20 - DOUBLE CHAMFER - HEX NUT	2
9	200-0092	1/4 X 1/8 X 5/8 FLAT WASHER - SPACER	2
10	200-0111	SCREW 8-18 X 1/2 - SELF TAP - 410 SS	1
11	200-0148	SCREW 10-32 X 3/4" - FLAT HEAD - PHILLIPS - 82° - SS	2
12	200-0361	SCREW 8-32 X 5/8" - FLAT HEAD 82° - PHILLIPS	4
13	290-0119	ROLLER WHEEL - STAINLESS STL - 3/4" Ø -	2
14	510-0139	ALX2 - ROTISSERIE GEAR ASSEMBLY	1
15	510-0478	ALX2-30 / 30SZ - ROTISSERIE PANEL ASSY	1
16	510-0483	ALX2-30 / 30SZ- WARMING RACK BRACKET - RT SIDE	2
17	510-0484	ALX2-30 / 30SZ - WARMING RACK BRACKET-LT SIDE	2
18	510-0584	ALX2-56 BFG ROTISSERIE PANEL - RIGHT SIDE	1
19	510-0972	REAR HOOD & RIM WELDED PARTS	1



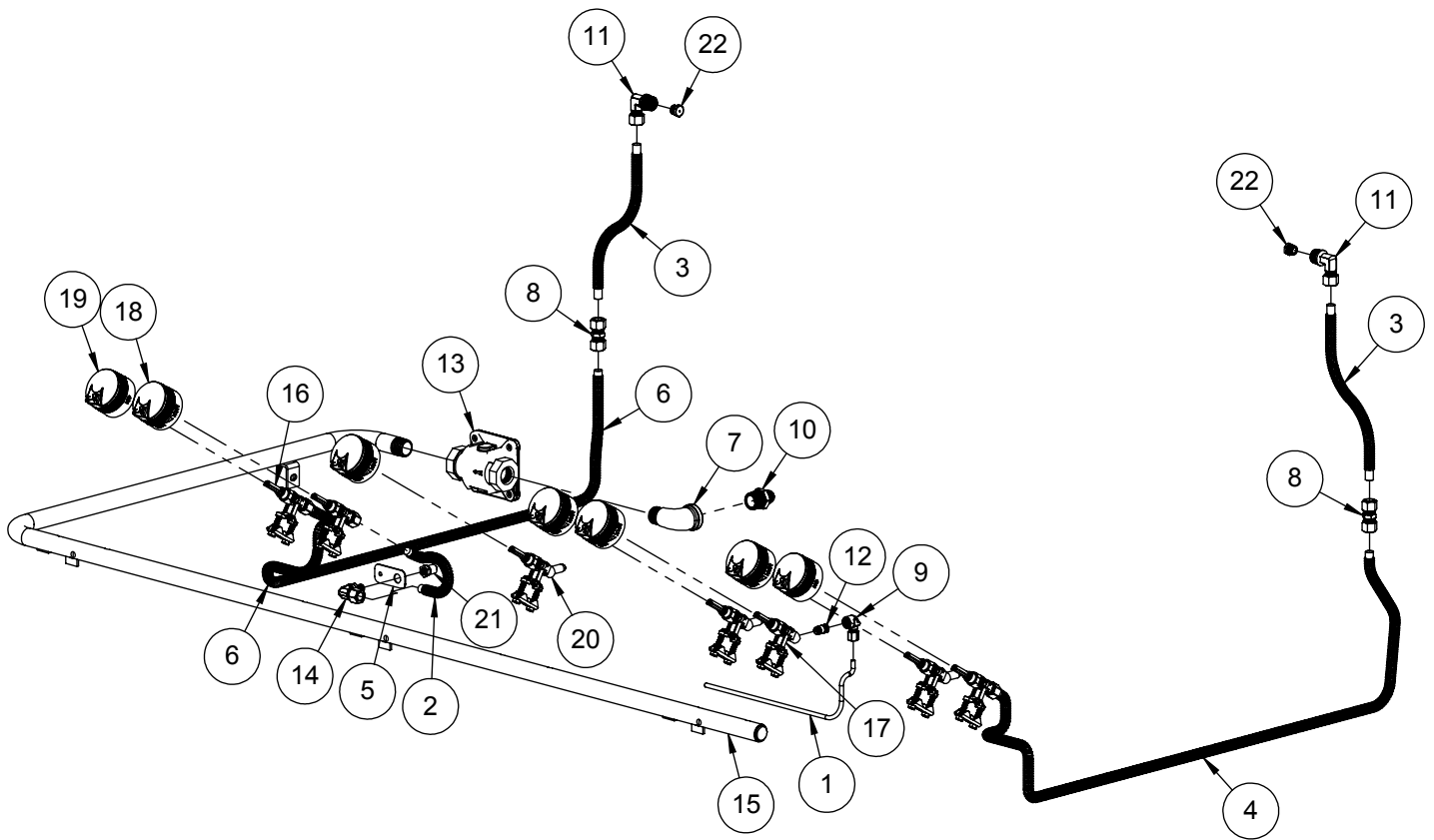
ITEM	PART NUMBER	DESCRIPTION	QTY
1	510-0976	FRONT HOOD (WELDED PARTS)	1
2	290-0400	ALFRESCO BBQ / RANGE HANDLE END CAP	2
3	290-0450	ALXE-56BFG BARBECUE HOOD HANDLE	1
4	210-0571	ALFRESCO 3-1/8 DIA ALXE THERMOMETER	1
5	510-0924	SPIRAL TORSION SPRING LT	1
6	510-0925	SPIRAL TORSION SPRING RT	1
7	200-0087	WASHER - 1/4" SPRING LOCK- REGULAR - SS	4
8	200-0219	HEX HD MACHINE SCREW 1/4-20 UNC X 5/8 LONG SS	4
9	200-0361	SCREW 8-32 X 5/8" - FLAT HEAD 82° - PHILLIPS	4



ITEM	PART NO.	DESCRIPTION	QTY
1	100-1894	ALX2 - BRIQUETTE TRAY BASE	1
2	100-1895	ALX2 - BRIQUETTE LOCK BAR	3
3	200-0312	SCREW 8-32 x 3/4"- PAN HEAD - PHILLIPS - THREAD CUTTER TYPE F	9
4	265-0005	BRIQUETTE - ALFRESCO CUSTOM	24



ITEM	PART NUMBER	DESCRIPTION	QTY
1	100-0913	30" & 56" BFG BBQ SMOKER GAS LINE	1
2	100-0917	SEAR ZONE™ GAS LINE (8"L x 3/8" Ø - SS. FLEX TUBE)	1
3	100-0917	ROTISSERIE GAS LINE EXTENSION - 3/8"Ø X 8" - SS	2
4	100-0949	ROTISSERIE GAS LINE (36"L x 3/8" Ø - SS. FLEX TUBE)	1
5	100-1067	ALX2- SMOKER & SZ™ ORIFICE BRACKET	1
6	100-1949	ROTISSERIE GAS LINE (36"L x 3/8" Ø - SS. FLEX TUBE)	1
7	200-0274	ELBOW 90° - CAST IRON - 1/2" FPT x 1/2" MPT	1
8	220-0151	COUPLING 3/8" x 3/8" - COMPRESSION - BRASS	2
9	220-0273	ELBOW 90° - 1/8" FPT x 3/16" COMP	1
10	220-0275	NIPPLE - 1/2" MPT X 3/8" OD FL	1
11	220-0276	ELBOW .375 MPT x .375 COMP	2
12	220-0277	NIPPLE 1/8"MPT x 1/16"MPT	1
13	220-0280	REGULATOR GAS - MAXITROL RV48CL440002	1
14	220-0293	ELBOW 3/8-27 UNS x 3/8" COMP	1
15	220-0349	MANIFOLD - ALX2-56" BFG	1
16	290-0041	GAS VALVE - STRAIGHT - WITHOUT ORIFICES	3
17	290-0066	GAS VALVE - ANGLED - ORIFICE: INT= 0.95 mm / EXT=NONE	1
18	290-0433	ALFRESCO - BBQ KNOB	5
19	290-0434	ALFRESCO -ROTISSERIE / SEAR ZONE™ KNOB	2
20	SEE NOTE	GAS VALVE - ANGLED WITH ORIFICE >>> SEE NOTE	3
21	SEE NOTE	ORIFICE - SEAR ZONE™ >>> SEE NOTE	1
22	SEE NOTE	ORIFICE - IR ROTISSERIE UNIT (SEE NOTE FOR SIZING)	2



NOTE: ORIFICE OR VALVE ASSEMBLY TO CHANGE ACCORDING TO FUEL SUPPLY (NG OR LP).

ITEM	NG PART #	LP PART #
20	290-0310	290-0311
21	220-0289	220-0290
22	220-0285	220-0286

Alfresco
 SUPERIOR EQUIPMENT SOLUTIONS
 7039 EAST SLAUSON AVENUE
 COMMERCE, CA. 90040

THE INFORMATION CONTAINED IN THIS DRAWING IS THE SOLE PROPERTY OF SUPERIOR EQUIPMENT SOLUTIONS INC. ANY REPRODUCTION IN PART OR AS A WHOLE WITHOUT WRITTEN PERMISSION FROM SUPERIOR EQUIPMENT SOLUTIONS, INC. IS PROHIBITED.

DRAWN BY: N SILCOCK
CREATED: 5/5/2016 10:56:51 AM

PROJECT TITLE:
ALXE-56BFG

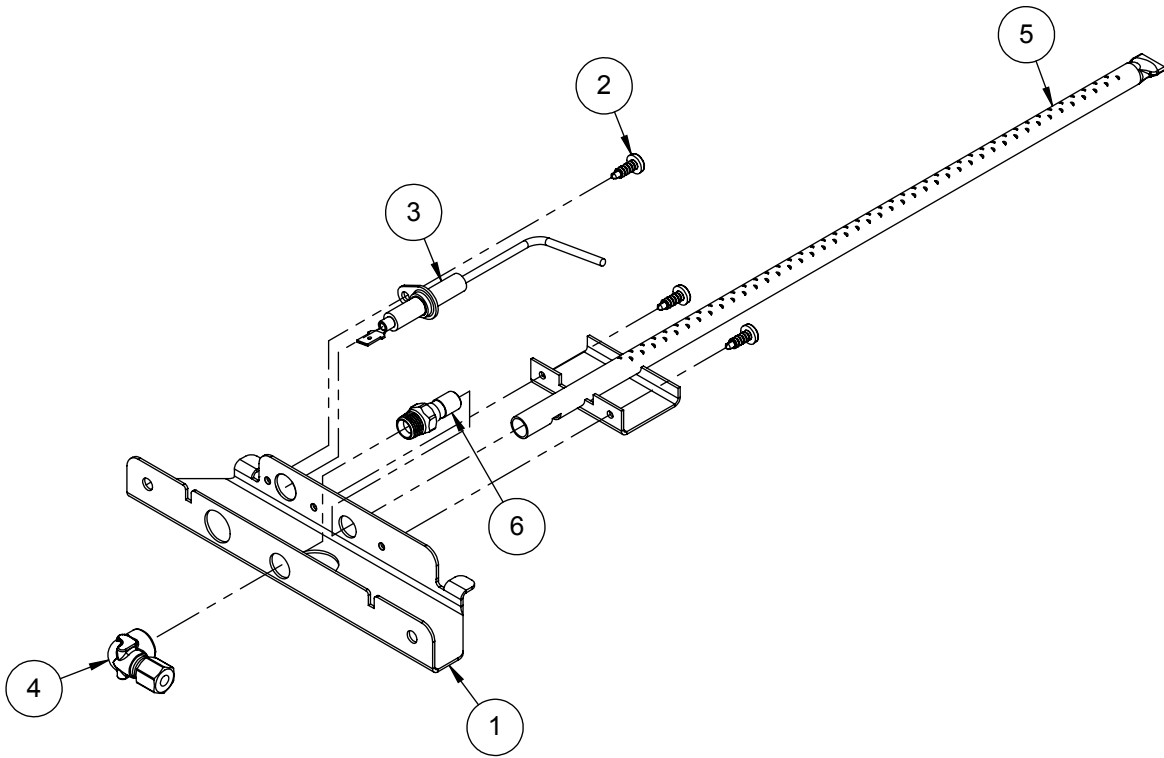
DRAWING TITLE:
GAS MANIFOLD ASSEMBLY

DRAWING NO.: 510-105
SHEET 1 OF 1

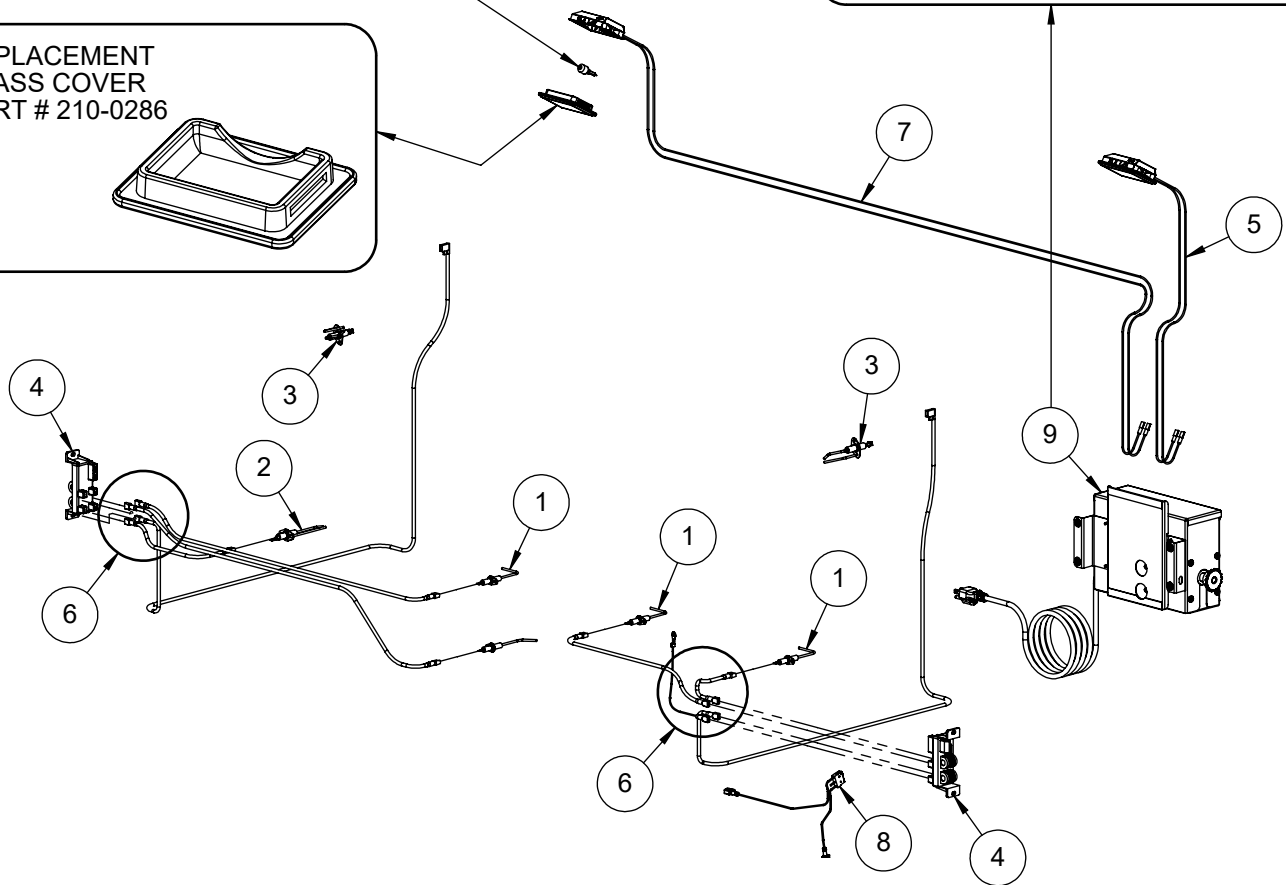
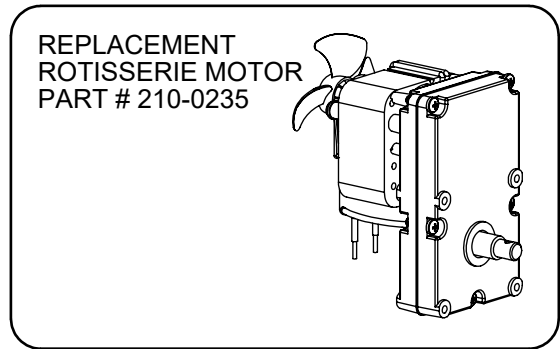
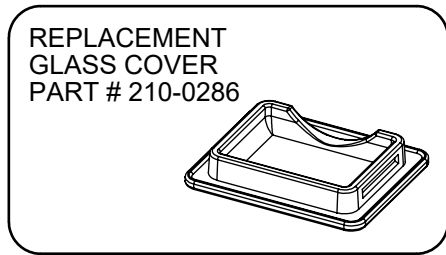
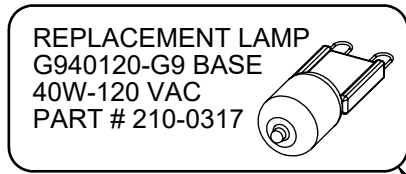
ITEM	PART NUMBER	DESCRIPTION	QTY
1	130-3019	MOUNTING BRACKET	1
2	200-0111	SCREW 8-18 X 1/2 - SELF TAP - 410 SS	3
3	210-0189	ELECTRODE - "L" SHAPED - MAIN BURNER	1
4	220-0273	ELBOW 90° - 1/8" FPT x 3/16" COMP	1
5	510-0504	ALX2 - SMOKER BURNER ASSEMBLY	1
6	SEE NOTE	ORIFICE - SMOKER UNIT >>> SEE NOTE	1

NOTE: ORIFICE OR VALVE ASSEMBLY TO CHANGE ACCORDING TO FUEL SUPPLY: NATURAL GAS OR LIQUID PROPANE

ITEM	NG GAS	LP GAS
	PART #	PART #
6	220-0313	220-0313



ITEM	PART NUMBER	DESCRIPTION	QTY
1	210-0189	ELECTRODE - "L" SHAPED - U-BURNER / SMOKER	4
2	210-0192	ELECTRODE - DUAL TIP - SEARZONE™	1
3	210-0240	ELECTRODE - DUAL TIP "L" SHAPE- ROTISSERIE	2
4	210-0465	IGNITER MODULE (4 POINTS)	2
5	210-0509	LAMP ASSEMBLY (32" WIRE LENGTH)	1
6	210-0523	ALX2-56 BFG - IGNITER WIRE KIT	1
7	210-0535	LAMP ASSEMBLY (56" WIRE LENGTH)	1
8	210-0626	ALXE PERIMETER LIGHT SWITCH	1
9	510-0514	ALX2 - ROTISSERIE MOTOR BOX ASSEMBLY	1

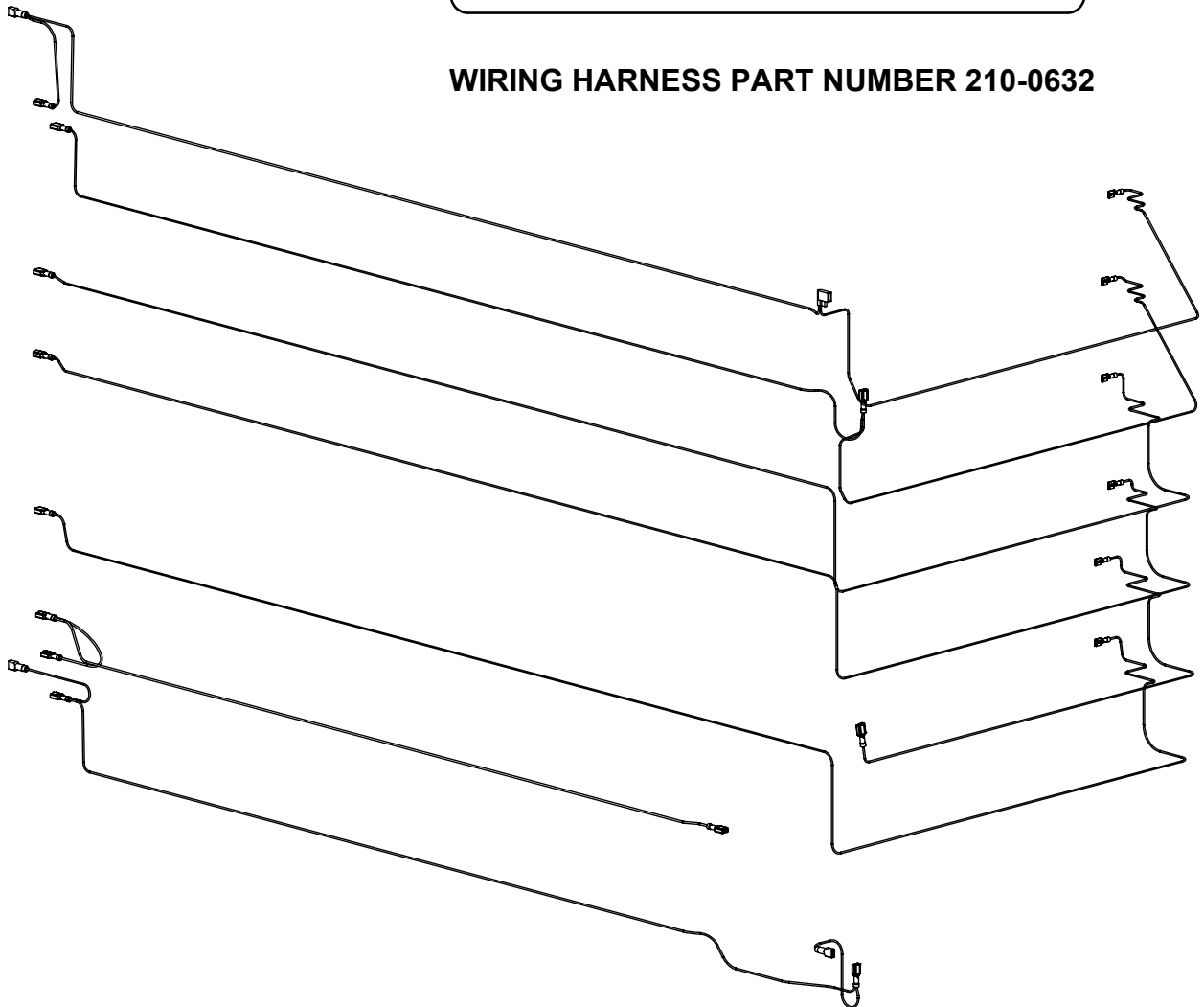


CONNECTIONS: NEUTRAL TO TRANSFORMER,
POWER TO TRANSFORMER AND IGNITER, LIGHTS
& ROTISSERIE SWITCHES. FRONT LEFT.

CONNECTIONS IN
MOTOR BOX AT
REAR RIGHT.

CONNECTIONS: IGNITER NEUTRAL & POWER,
PERIMETER LIGHT SWITCH NEUTRAL & POWER,
AND POWER TO TRANSFORMER. FRONT RIGHT.

WIRING HARNESS PART NUMBER 210-0632



EXPLODED VIEW OF WIRING HARNESS
NOTE: INDIVIDUAL WIRES ARE NOT SOLD SEPARATELY

Alfresco[™]

Open Air Culinary Systems

ALXE-56BFG PARTS MANUAL
ALFRESCO[™] GOURMET GRILLS
ALL RIGHTS RESERVED 05/2016