

This Owner's Manual is provided and hosted by [Appliance Factory Parts](#).



# Alfresco ART-26 Owner's Manual

[Shop genuine replacement parts for Alfresco ART-26](#)



[Find Your Alfresco Grill Parts - Select From 126 Models](#)

----- Manual continues below part list -----

## Available Replacement Parts for Alfresco ART-26

<a href="#"><u>290-0030</u></a>	Knob for Alfresco
<a href="#"><u>290-0063</u></a>	HANDLE-END CAP ASSEMBLY.
<a href="#"><u>210-0198</u></a>	SWITCH-WEATHER BOOT AND CAP
<a href="#"><u>210-0340</u></a>	IGNITER
<a href="#"><u>210-0195</u></a>	IGNITER (SWITCH/MODULE)
<a href="#"><u>210-0490</u></a>	TEMPERATURE GAUGE
<a href="#"><u>210-0491</u></a>	ELECTRODE AND IGNITER MODULE
<a href="#"><u>290-0320</u></a>	GAS VALVE, MAIN

# Artisan



**ART-26**

**BUILT-IN 26" BBQ GRILL WITH DUAL BURNERS**

**Artisan**  
SUPERIOR EQUIPMENT SOLUTIONS  
7000 EAST CLAYSON AVENUE

THE INFORMATION CONTAINED IN THIS DRAWING IS THE SOLE PROPERTY OF SUPERIOR EQUIPMENT SOLUTIONS INC. ANY REPRODUCTION IN PART OR AS A WHOLE WITHOUT WRITTEN PERMISSION FROM SUPERIOR EQUIPMENT SOLUTIONS, INC. IS PROHIBITED.

**DRAWN BY: ADRIAN CRISCI**

PROJECT TITLE:

**ARTISAN GRILLS**

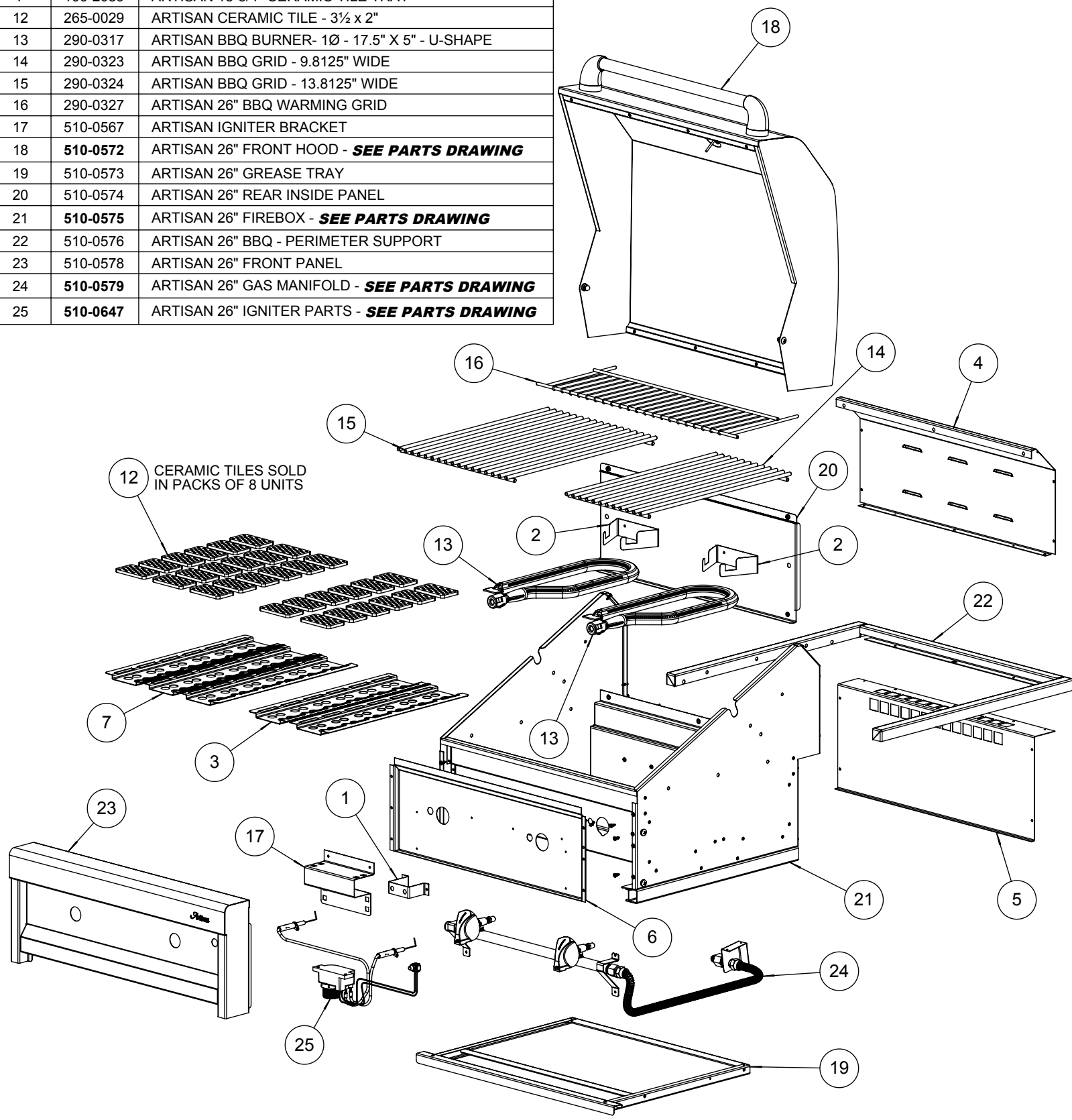
DRAWING TITLE:

DRAWING NO.:

**500-0093 MANUAL**

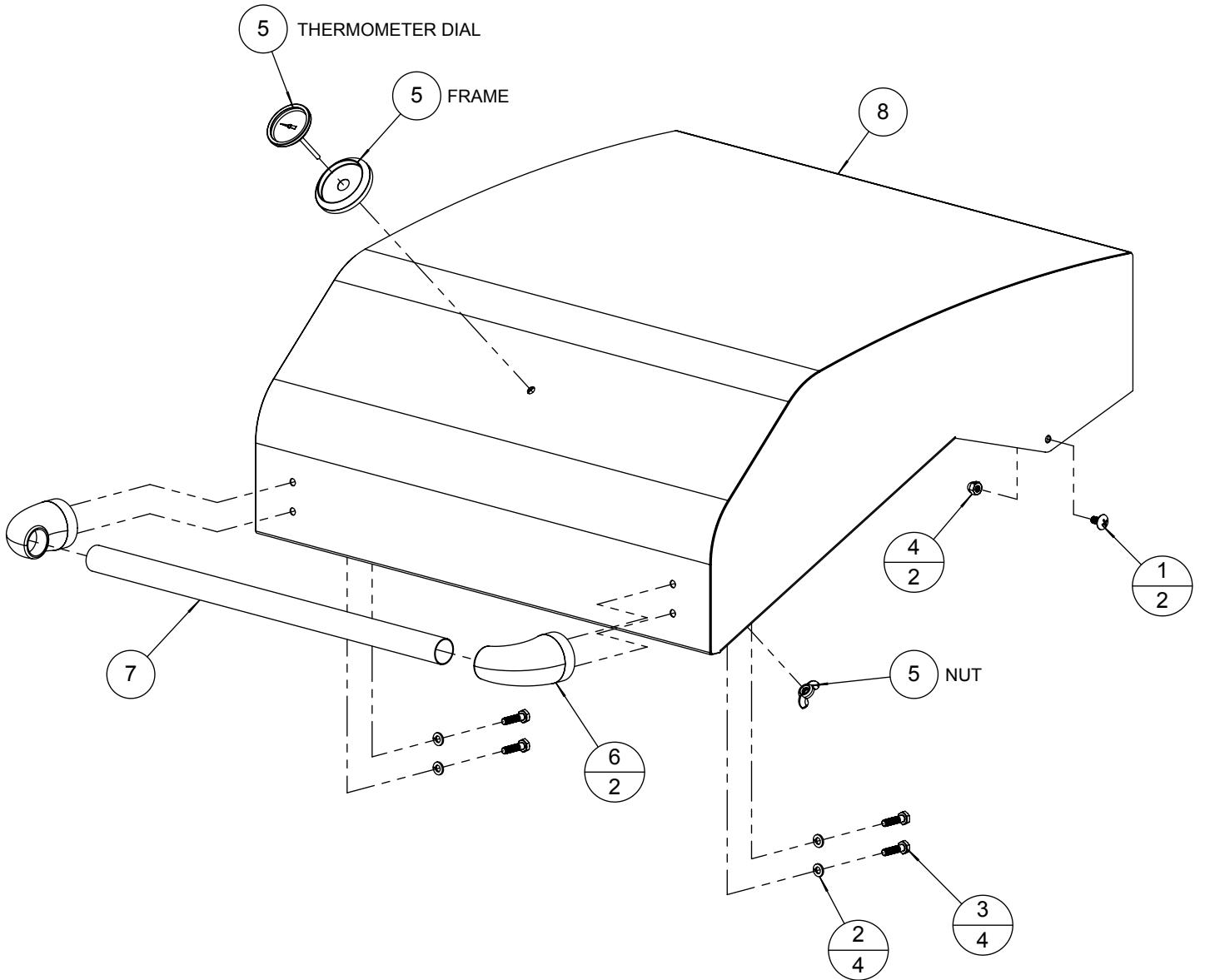
**BILL OF MATERIALS**

ITEM	PART N°	DESCRIPTION
1	100-2038	ARTISAN IGNITER & LIGHT SWITCH BRACKET
2	100-2048	ARTISAN BURNER BRACKET
3	100-2070	ARTISAN 9-3/4" CERAMIC TILE TRAY
4	100-2076	ARTISAN 26" REAR OUTSIDE PANEL
5	100-2079	ARTISAN 26" FIREBOX REAR COVER
6	100-2081	ARTISAN 26" FIREWALL
7	100-2089	ARTISAN 13-3/4" CERAMIC TILE TRAY
12	265-0029	ARTISAN CERAMIC TILE - 3½ x 2"
13	290-0317	ARTISAN BBQ BURNER- 1Ø - 17.5" X 5" - U-SHAPE
14	290-0323	ARTISAN BBQ GRID - 9.8125" WIDE
15	290-0324	ARTISAN BBQ GRID - 13.8125" WIDE
16	290-0327	ARTISAN 26" BBQ WARMING GRID
17	510-0567	ARTISAN IGNITER BRACKET
18	<b>510-0572</b>	ARTISAN 26" FRONT HOOD - <b>SEE PARTS DRAWING</b>
19	510-0573	ARTISAN 26" GREASE TRAY
20	510-0574	ARTISAN 26" REAR INSIDE PANEL
21	<b>510-0575</b>	ARTISAN 26" FIREBOX - <b>SEE PARTS DRAWING</b>
22	510-0576	ARTISAN 26" BBQ - PERIMETER SUPPORT
23	510-0578	ARTISAN 26" FRONT PANEL
24	<b>510-0579</b>	ARTISAN 26" GAS MANIFOLD - <b>SEE PARTS DRAWING</b>
25	<b>510-0647</b>	ARTISAN 26" IGNITER PARTS - <b>SEE PARTS DRAWING</b>



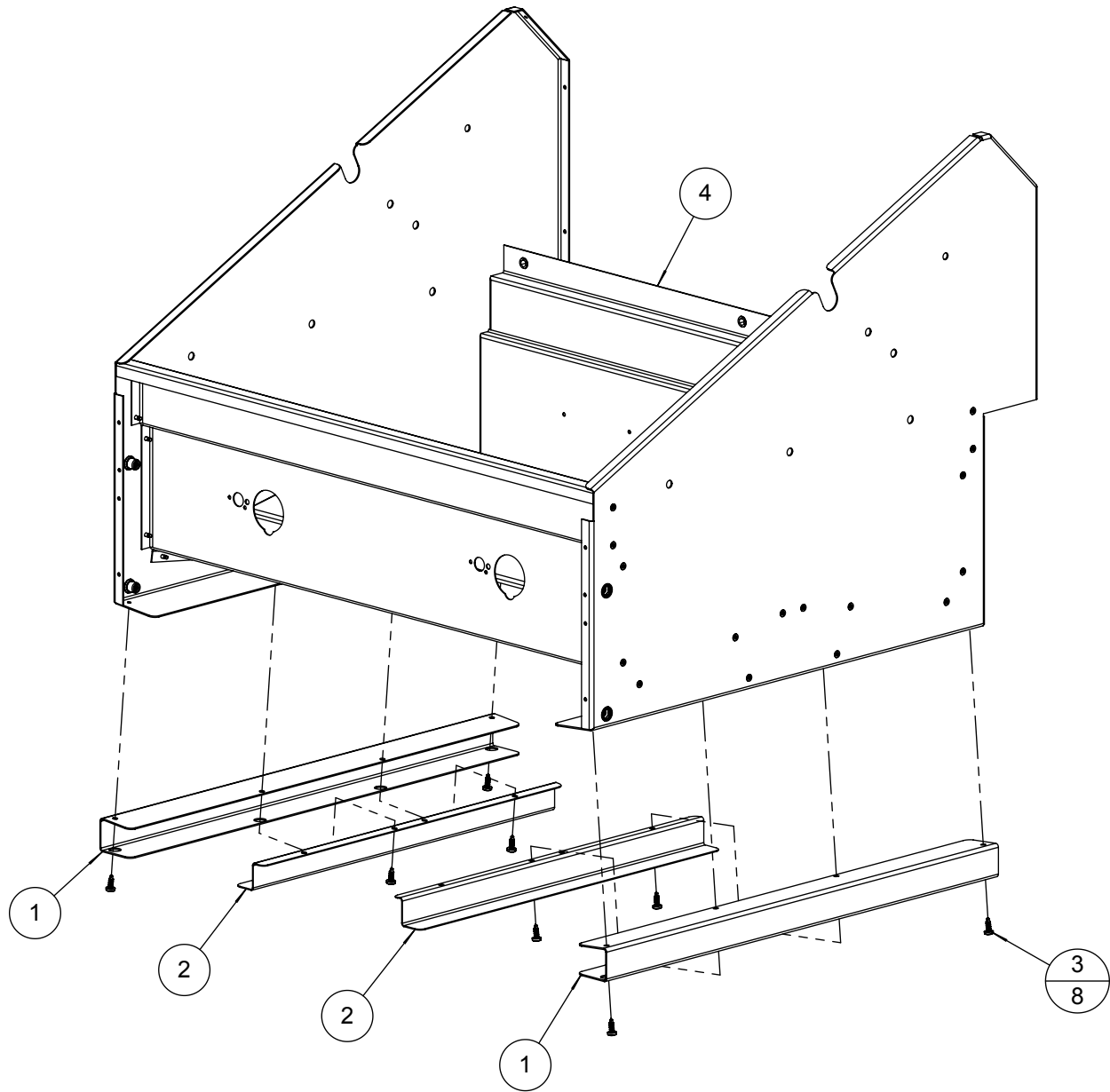
**BILL OF MATERIALS**

ITEM	PART N°	DESCRIPTION	QTY.
1	200-0057	SCREW 1/4-20 X 1/2 - TRUSS HEAD - PHILIPS	2
2	200-0087	WASHER - 1/4" SPRING LOCK- REGULAR - SS	4
3	200-0091	HH- HD - 1/4-20 x 1 x .75 THREAD	4
4	200-0313	NUT 1/4 x 20 - ACORN - SELF LOCKING	2
5	210-0490	ARTISAN THERMOMETER ASSEMBLY	1
6	290-0063	HANDLE - END CAP ASSEMBLY	2
7	290-0326	ARTISAN 26" BBQ - FRONT HOOD HANDLE BAR	1
8	510-0571	ARTISAN 26" BBQ - FRONT HOOD WELDED / ASSEMBLED PARTS	1



**BILL OF MATERIALS**

ITEM	PART N°	DESCRIPTION	QTY
1	100-2024	FIREBOX TRAY SLIDE PART-A	2
2	100-2025	FIREBOX TRAY SLIDE PART-B	2
3	200-0111	SCREW 8-18 X ½ - SELF TAP - 410 SS	8
4	510-0557	ART-26 FIREBOX - RIVETED PARTS	1

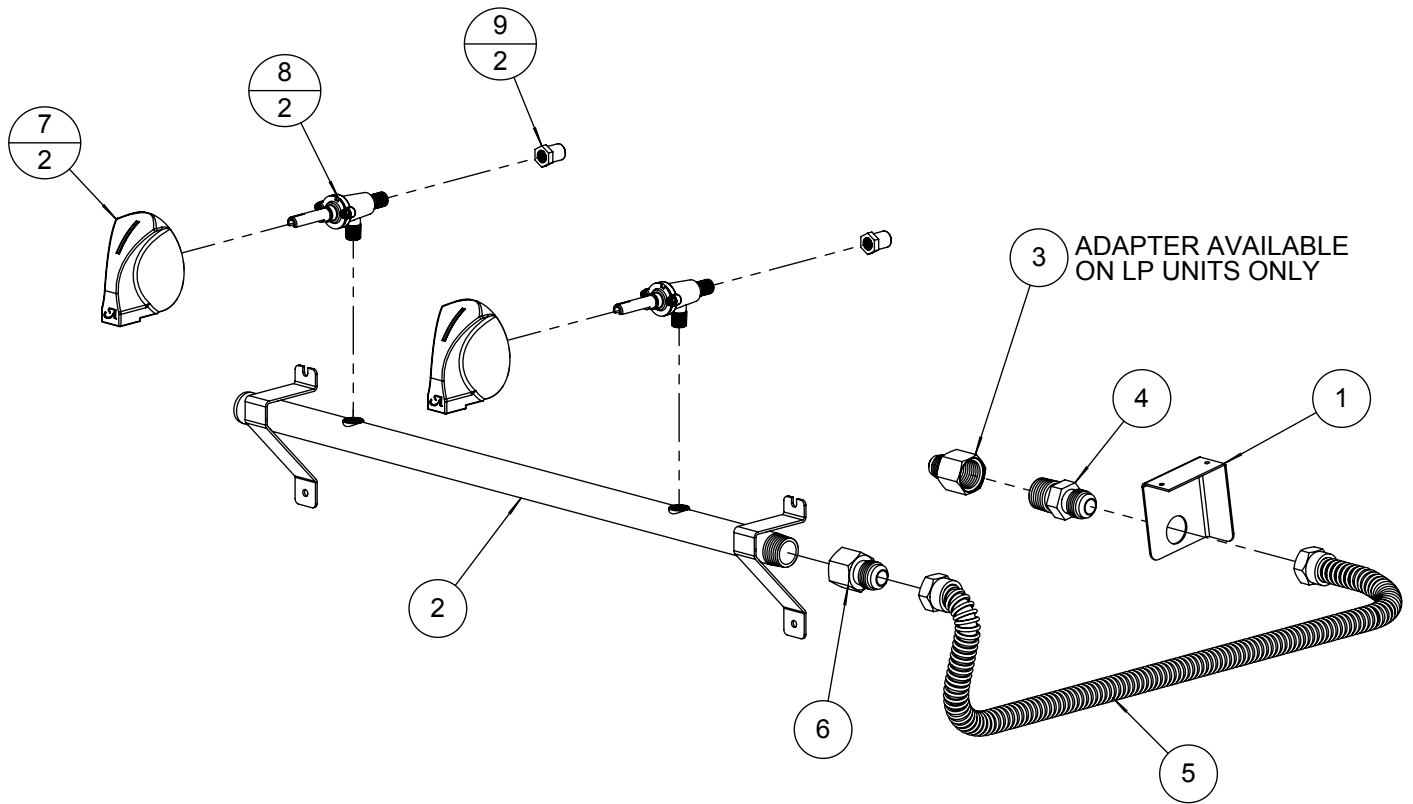


**BILL OF MATERIALS**

ITEM	PART N°	DESCRIPTION	QTY
1	100-2124	ARTISAN GAS PIPELINE CONNECTION BRACKET	1
2	220-0400	GAS MANIFOLD - ARTISAN 26" BBQ	1
3	220-0403	NIPPLE 3/8" OD FL x 1/2" FPT ( FOR LP HOOK-UP)	1
4	220-0406	NIPPLE 1/2" OD FL x 1/2" MPT x 3/8" FPT	1
5	220-0407	ARTISAN - 1/2" ODF x 26"L- FLEX SS GAS LINE	1
6	220-0408	NIPPLE 1/2" OD FL x 1/2" FPT	1
7	290-0030	ARTISAN GAS KNOB WITH "A" LOGO	2
8	290-0320	VALVE - GAS - VARIABLE FLOW - 1/8-27 MPT X 1/8-27 NPTS	2
9	SEE NOTE	ORIFICE - MAIN BURNER - (SEE NOTE FOR SIZING)	2

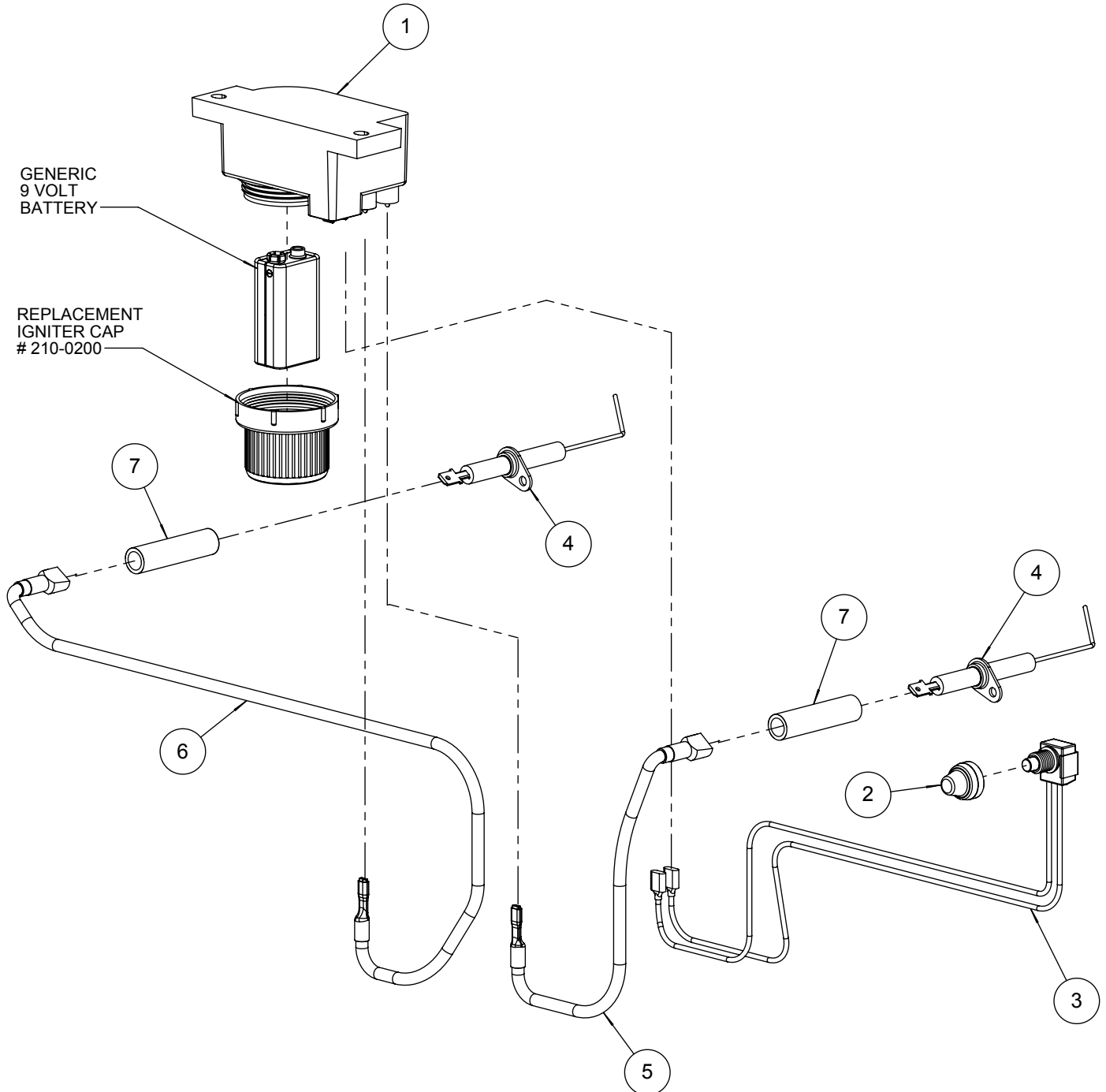
**ITEM 9 ORIFICE / FUEL USAGE**

FUEL	PART #	SIZE
NG	220-0397	50
LP	220-0398	57



**BILL OF MATERIALS**

ITEM	PART N°	DESCRIPTION	QTY.
1	210-0195	IGNITER MODULE - 2 POINTS (WITH CAP)	1
2	210-0198	SWITCH - WEATHER BOOT & CAP	1
3	210-0340	SWITCH BBQ - IGNITER - OFF/[ON] MOMENTARY - W/ 10½" LEADS 1/4"QT	1
4	210-0491	ARTISAN U-BURNER ELECTRODE TIP	2
5	SEE NOTE	ARTISAN IGNITER WIRE - 10" LONG - RIGHT BURNER	1
6	SEE NOTE	ARTISAN IGNITER WIRE - 16" LONG - LEFT BURNER	1
7	SEE NOTE	INSULATION SLEEVE - SILICONE 7/16" OD x 5/16" ID x 1-3/4" L	2



**NOTE:**

ITEM (5) , (6) AND (7) ARE AVAILABLE UNDER KIT #: 210-0540

ITEMS ARE NOT SOLD SEPARATELY.