

This Owner's Manual is provided and hosted by [Appliance Factory Parts](#).



# Alfresco ART-32 Owner's Manual

[Shop genuine replacement parts for Alfresco ART-32](#)



[Find Your Alfresco Grill Parts - Select From 126 Models](#)

----- Manual continues below -----

# Artisan



**ART-32**

**BUILT-IN 32" BBQ GRILL WITH DUAL BURNERS**

**ROTISSERIE MOTOR AND INTEGRATED LIGHT**

**Artisan**  
SUPERIOR EQUIPMENT SOLUTIONS  
7039 EAST SLAUSON AVENUE  
COMMERCE, CA. 90040

THE INFORMATION CONTAINED IN THIS DRAWING IS THE SOLE PROPERTY OF SUPERIOR EQUIPMENT SOLUTIONS INC. ANY REPRODUCTION IN PART OR AS A WHOLE WITHOUT WRITTEN PERMISSION FROM SUPERIOR EQUIPMENT SOLUTIONS, INC. IS PROHIBITED.

**DRAWN BY:** ADRIAN CRISCI  
**CREATED:** 6/22/2011 9:43:51 AM

**PROJECT TITLE:**

**ARTISAN GRILLS**

**DRAWING TITLE:**

**PARTS AND COMPONENTS MANUAL**

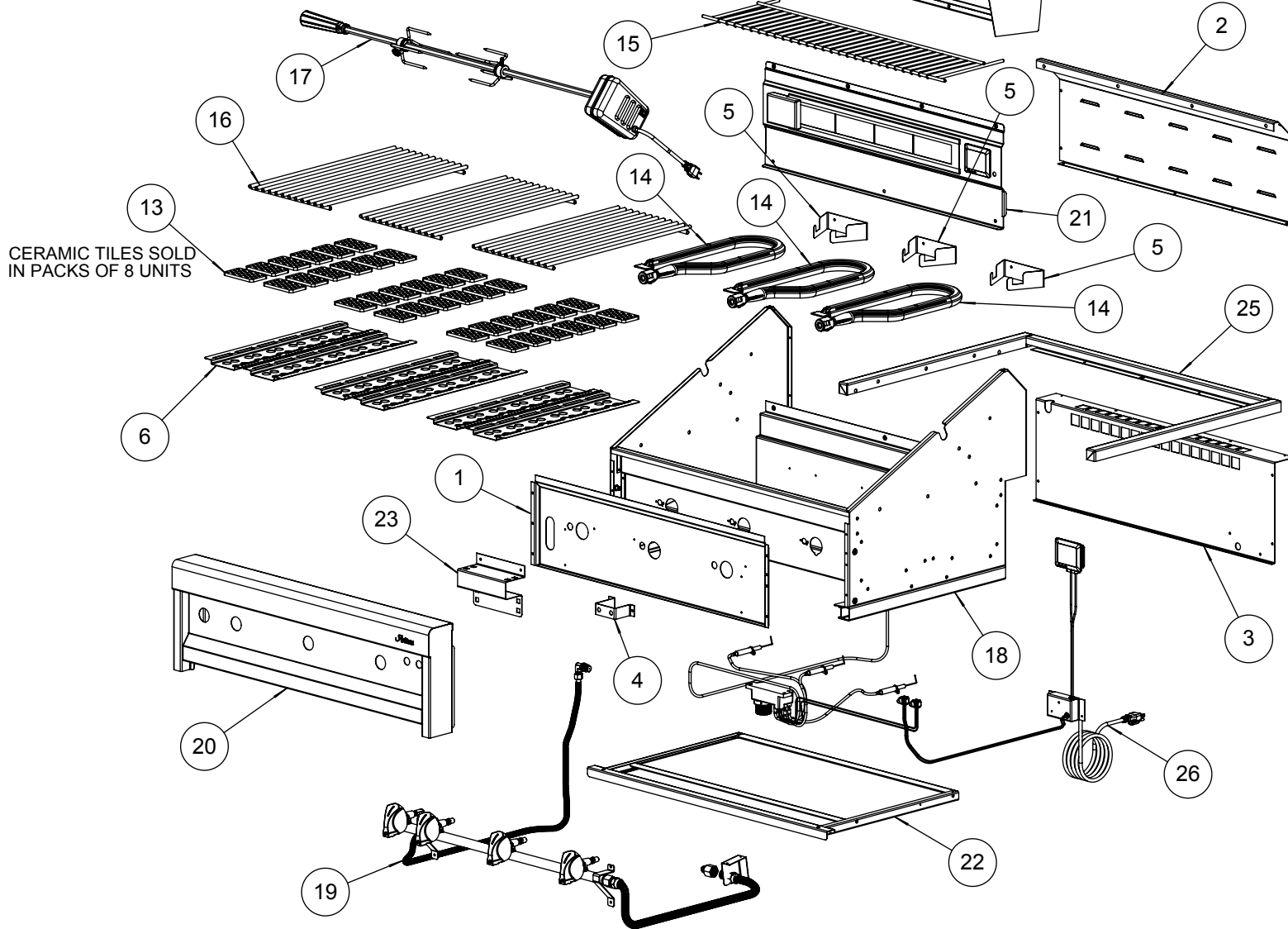
**DRAWING NO.:**

**500-0092 MANU**

**SHEET 1 C**

**BILL OF MATERIALS**

ITEM	PART N°	DESCRIPTION
1	100-2026	ARTISAN 32" FIREWALL
2	100-2027	ARTISAN 32 ROTISSERIE BACK COVER
3	100-2028	FIREBOX REAR COVER
4	100-2038	ARTISAN IGNITER & LIGHT SWITCH BRACKET
5	100-2048	ARTISAN BURNER BRACKET
6	100-2070	ARTISAN 9-3/4" CERAMIC TILE TRAY
13	265-0029	ARTISAN CERAMIC TILE - 3½ x 2"
14	290-0317	ARTISAN BBQ BURNER- 1Ø - 17.5" X 5" - U-SHAPE
15	290-0319	ARTISAN 32" BBQ WARMING GRID
16	290-0323	ARTISAN BBQ GRID - 9.8125" WIDE
17	<b>510-0551</b>	ART-ROT32 ROTISSERIE KIT - <i>SEE PARTS DRAWING</i>
18	<b>510-0560</b>	ARTISAN 32" FIREBOX - <i>SEE PARTS DRAWING</i>
19	<b>510-0561</b>	ARTISAN 32" GAS MANIFOLD - <i>SEE PARTS DRAWING</i>
20	510-0562	ARTISAN 32" FRONT PANEL ASSEMBLY
21	<b>510-0565</b>	ARTISAN 32" ROTISSERIE - <i>SEE PARTS DRAWING</i>
22	510-0566	ARTISAN 32" GREASE TRAY ASSEMBLY
23	510-0567	ARTISAN IGNITER BRACKET
24	<b>510-0568</b>	ARTISAN 32" FRONT HOOD - <i>SEE PARTS DRAWING</i>
25	510-0569	ARTISAN 32" BBQ - PERIMETER SUPPORT
26	<b>510-0648</b>	ARTISAN 32" ELECTRICAL PARTS - <i>SEE PARTS DRAWING</i>



**Artisan**  
 SUPERIOR EQUIPMENT SOLUTIONS  
 7039 EAST SLAUSON AVENUE  
 COMMERCE, CA. 90040

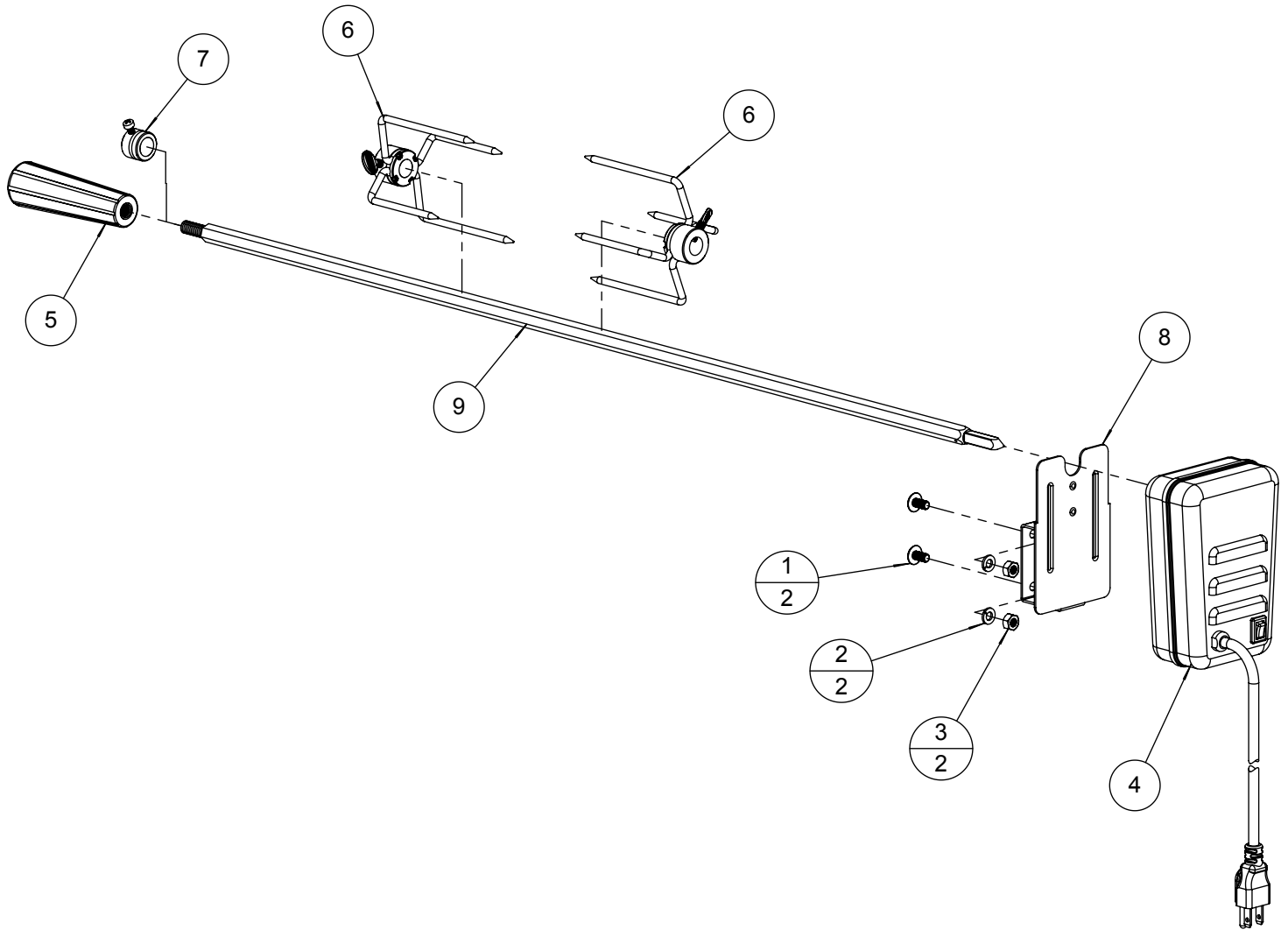
THE INFORMATION CONTAINED IN THIS DRAWING IS THE SOLE PROPERTY OF SUPERIOR EQUIPMENT SOLUTIONS INC. ANY REPRODUCTION IN PART OR AS A WHOLE WITHOUT WRITTEN PERMISSION FROM SUPERIOR EQUIPMENT SOLUTIONS, INC. IS PROHIBITED.  
**DRAWN BY:** ADRIAN CRISCI  
**CREATED:** 7/5/2011 10:34:02 AM

**PROJECT TITLE:**  
 ARTISAN ART-32 GRILL  
**DRAWING TITLE:**  
 ARTISAN 32" BBQ ASSEMBLY

**DRAWING NO.:**  
 500-0092 MANUAL  
 SHEET 1 C

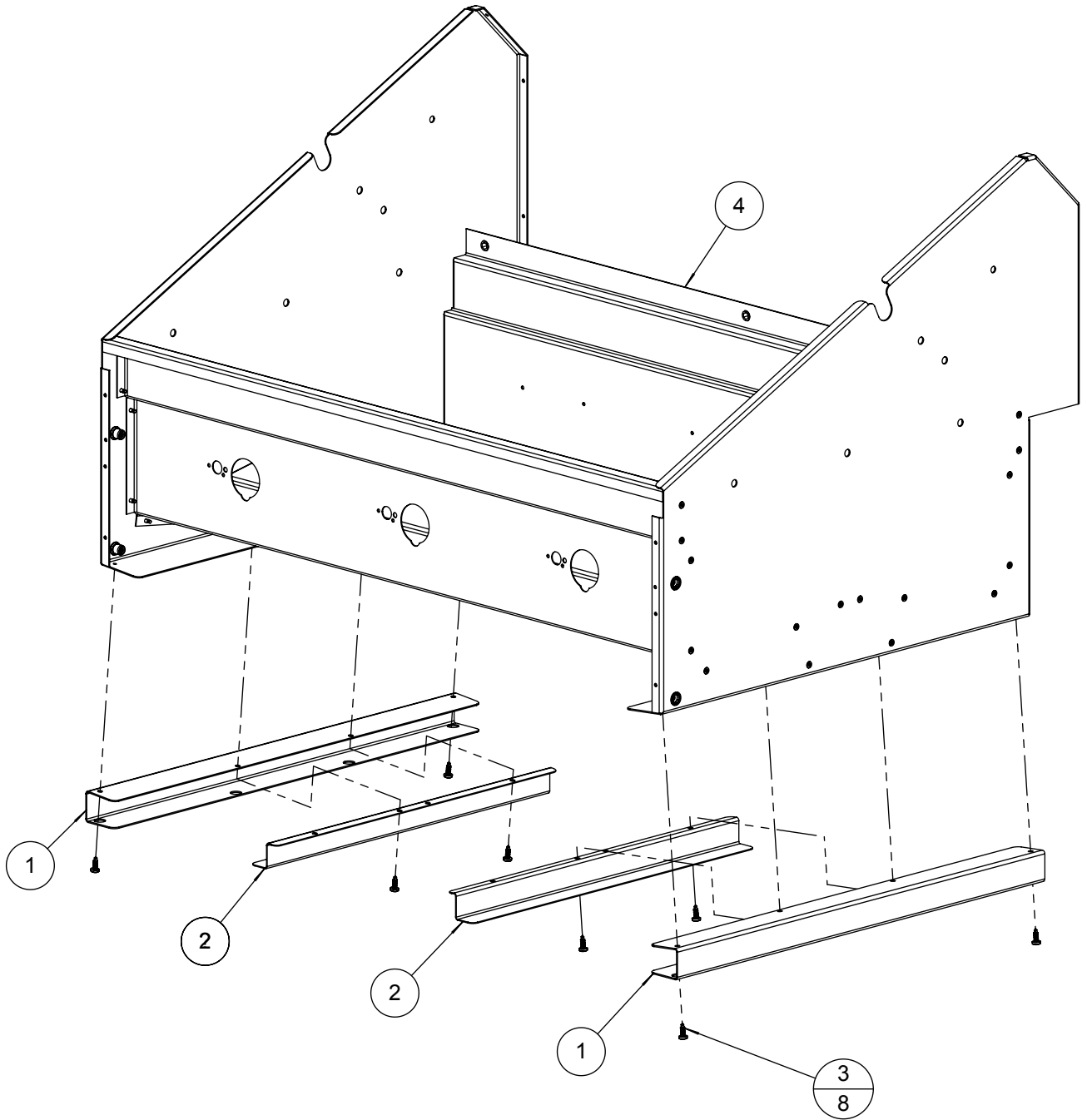
**BILL OF MATERIALS**

ITEM	PART N°	DESCRIPTION	QTY
1	200-0057	SCREW 1/4-20 X 1/2 - TRUSS HEAD - PHILIPS	2
2	200-0087	WASHER - 1/4" SPRING LOCK- REGULAR - SS	2
3	200-0090	1/4-20 - DOUBLE CHAMFER - HEX NUT	2
4	210-0493	ARTISAN ROTISSERIE MOTOR	1
5	290-0330	HANDLE - ROTISSERIE SPEAR - ARTISAN	1
6	290-0331	FORK - ARTISAN ROTISSERIE ASSEMBLY (FORK + THUMB SCREW)	2
7	290-0332	BUSHING- ARTISAN ROTISSERIRE BUSHING ASSEMBLY	1
8	290-0333	BRACKET - ARTISAN ROTISSERIE MOTOR MOUNT	1
9	290-0335	SPEAR ROTISSERIE - ARTISAN 32" BBQ	1



**BILL OF MATERIALS**

ITEM	PART N°	DESCRIPTION	QTY
1	100-2024	FIREBOX TRAY SLIDE PART-A	2
2	100-2025	FIREBOX TRAY SLIDE PART-B	2
3	200-0111	SCREW 8-18 X 1/2 - SELF TAP - 410 SS	8
4	510-0558	ARTISAN 32" FIREBOX - RIVETED PARTS	1



THE INFORMATION CONTAINED IN THIS DRAWING IS THE SOLE PROPERTY OF SUPERIOR EQUIPMENT SOLUTIONS INC. ANY REPRODUCTION IN PART OR AS A WHOLE WITHOUT WRITTEN PERMISSION FROM SUPERIOR EQUIPMENT SOLUTIONS, INC. IS PROHIBITED.

**DRAWN BY:** ADRIAN CRISCI  
**CREATED:** 6/28/2011 3:40:46 PM

**PROJECT TITLE:**  
**ARTISAN ART-32 GRILL**

**DRAWING TITLE:**  
**ARTISAN 32" FIREBOX ASSEMBLY**

**DRAWING NO.:**  
**510-0560 MANU**

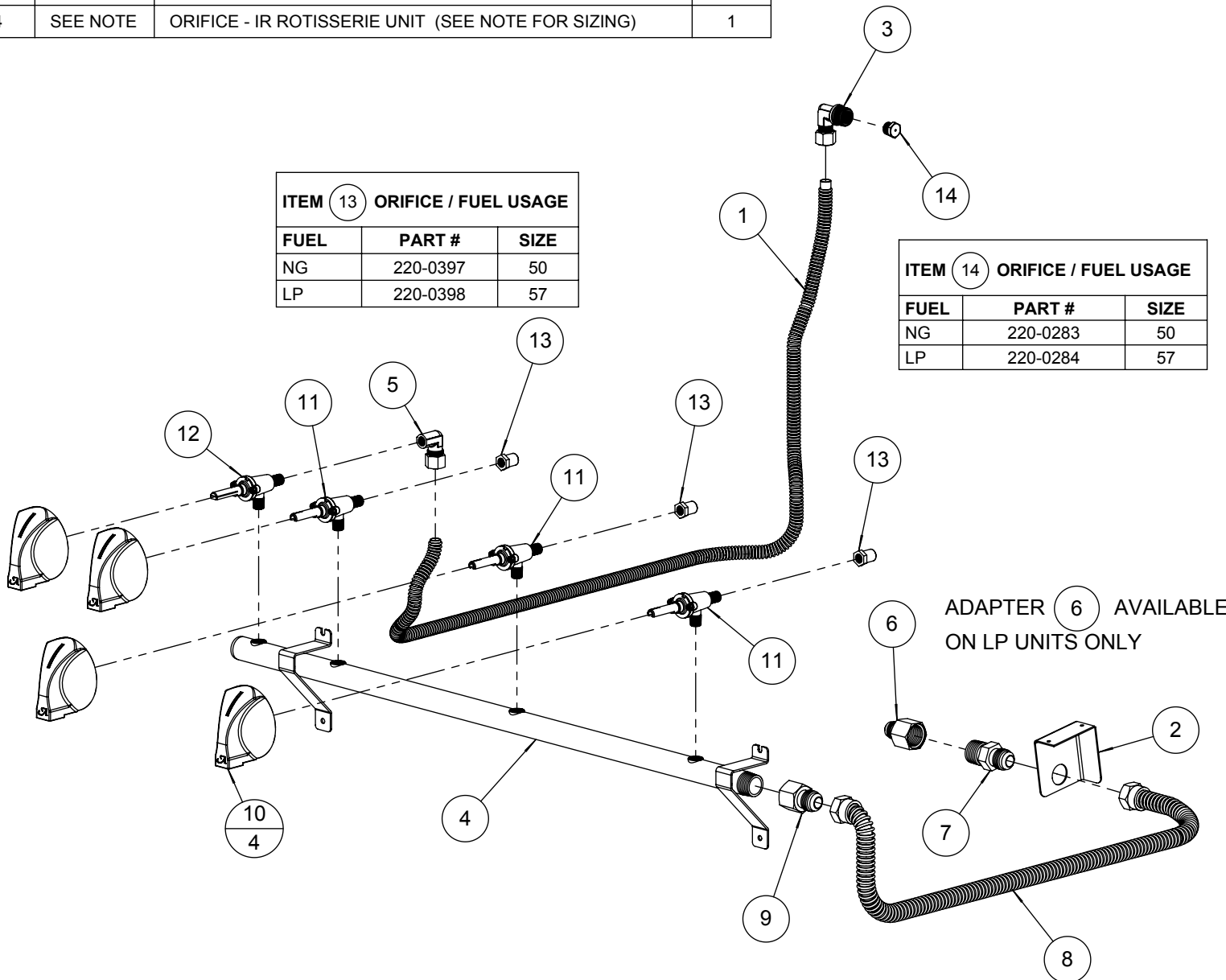
**SHEET 1 C**

**BILL OF MATERIALS**

ITEM	PART N°	DESCRIPTION	QTY
1	100-1949	ARTISAN ROTISSERIE LINE - 36" L x 3/8" ID	1
2	100-2124	ARTISAN GAS PIPELINE CONNECTION BRACKET	1
3	220-0276	ELBOW .375 MPT x .375 COMP	1
4	220-0396	GAS MANIFOLD - ARTISAN 32" BBQ	1
5	220-0399	ELBOW 1/8-27 FPT x 3/8" Ø COMPRESSION	1
6	220-0403	NIPPLE 3/8" OD FL x 1/2" FPT ( FOR LP HOOK-UP)	1
7	220-0406	NIPPLE 1/2" OD FL x 1/2" MPT x 3/8" FPT	1
8	220-0407	ARTISAN - 1/2" ODF x 26"L- FLEX SS GAS LINE	1
9	220-0408	NIPPLE 1/2" OD FL x 1/2" FPT	1
10	290-0030	KNOB BBQ - ALFRESCO "A" LETTER	4
11	290-0320	VALVE - GAS - VARIABLE FLOW - 1/8-27 MPT X 1/8-27 NPTS	3
12	290-0321	VALVE - GAS - [ON/OFF] FLOW - 1/8-27 MPT X 1/8-27 NPTS	1
13	SEE NOTE	ORIFICE - MAIN BURNER - (SEE NOTE FOR SIZING)	3
14	SEE NOTE	ORIFICE - IR ROTISSERIE UNIT (SEE NOTE FOR SIZING)	1

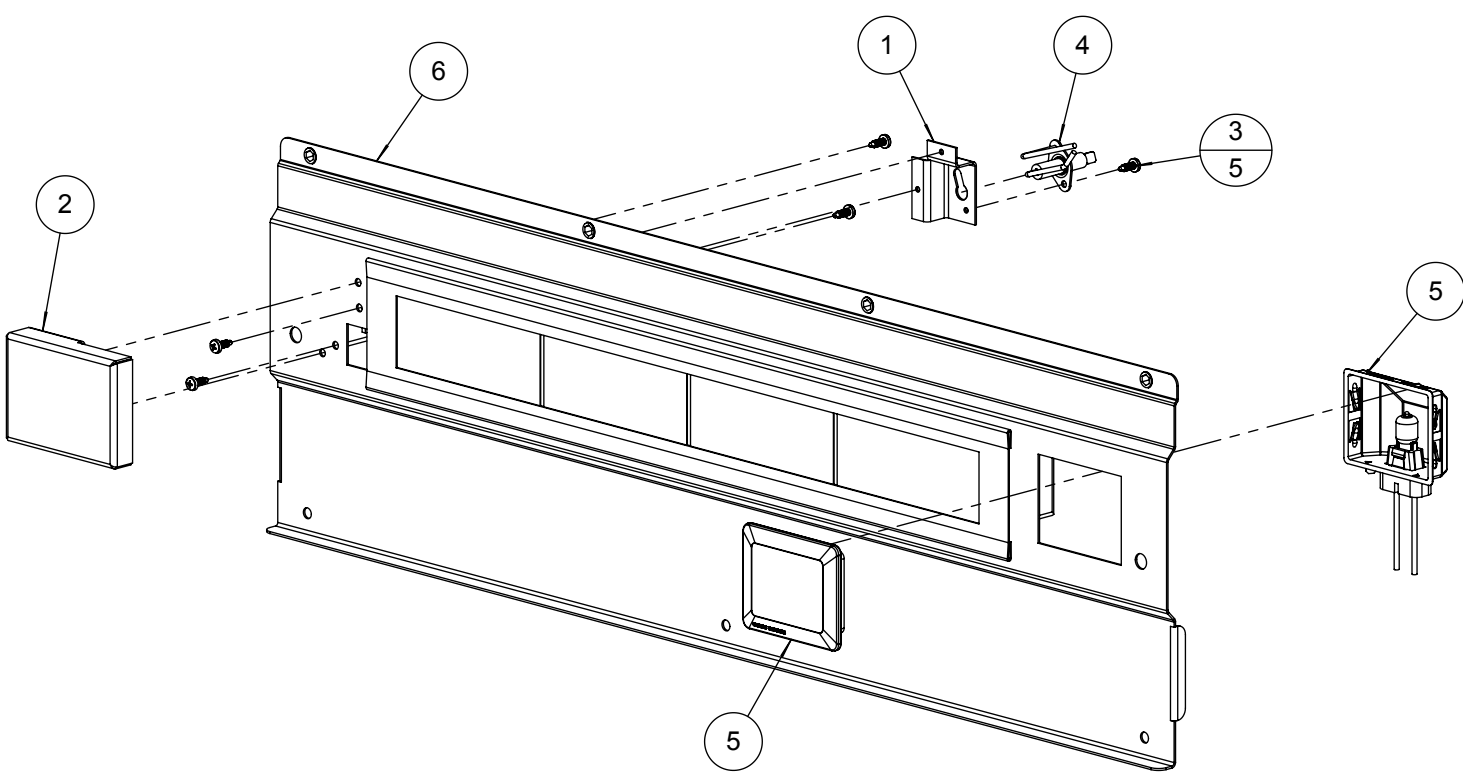
ITEM 13 ORIFICE / FUEL USAGE		
FUEL	PART #	SIZE
NG	220-0397	50
LP	220-0398	57

ITEM 14 ORIFICE / FUEL USAGE		
FUEL	PART #	SIZE
NG	220-0283	50
LP	220-0284	57



**BILL OF MATERIALS**

ITEM	PART N°	DESCRIPTION	QTY
1	100-1986	ALX2-30 / 30SZ - ROTISSERIE BURNER IGNITER BRAKET	1
2	100-1987	ALX2-30 / 30SZ - ROTISSERIE BURNER IGNITER COVER	1
3	200-0111	SCREW 8-18 X 1/2 - SELF TAP - 410 SS	5
4	210-0240	ELECTRODE - DUAL TIP "L" SHAPE - ROTISSERIE	1
5	210-0488	LAMP FIXTURE ASSEMBLY - G9/120V/40W	1
6	510-0598	ARTISAN 32" ROTISSERIE PANEL - WELDED PARTS	1



ITEMS (4) AND (5) ARE SHOWN FOR ASSEMBLY PURPOSES ONLY.  
 REFER TO ELECTRICAL COMPONENTS DRAWING 510-0648 FOR DETAIL CONNECTIONS.



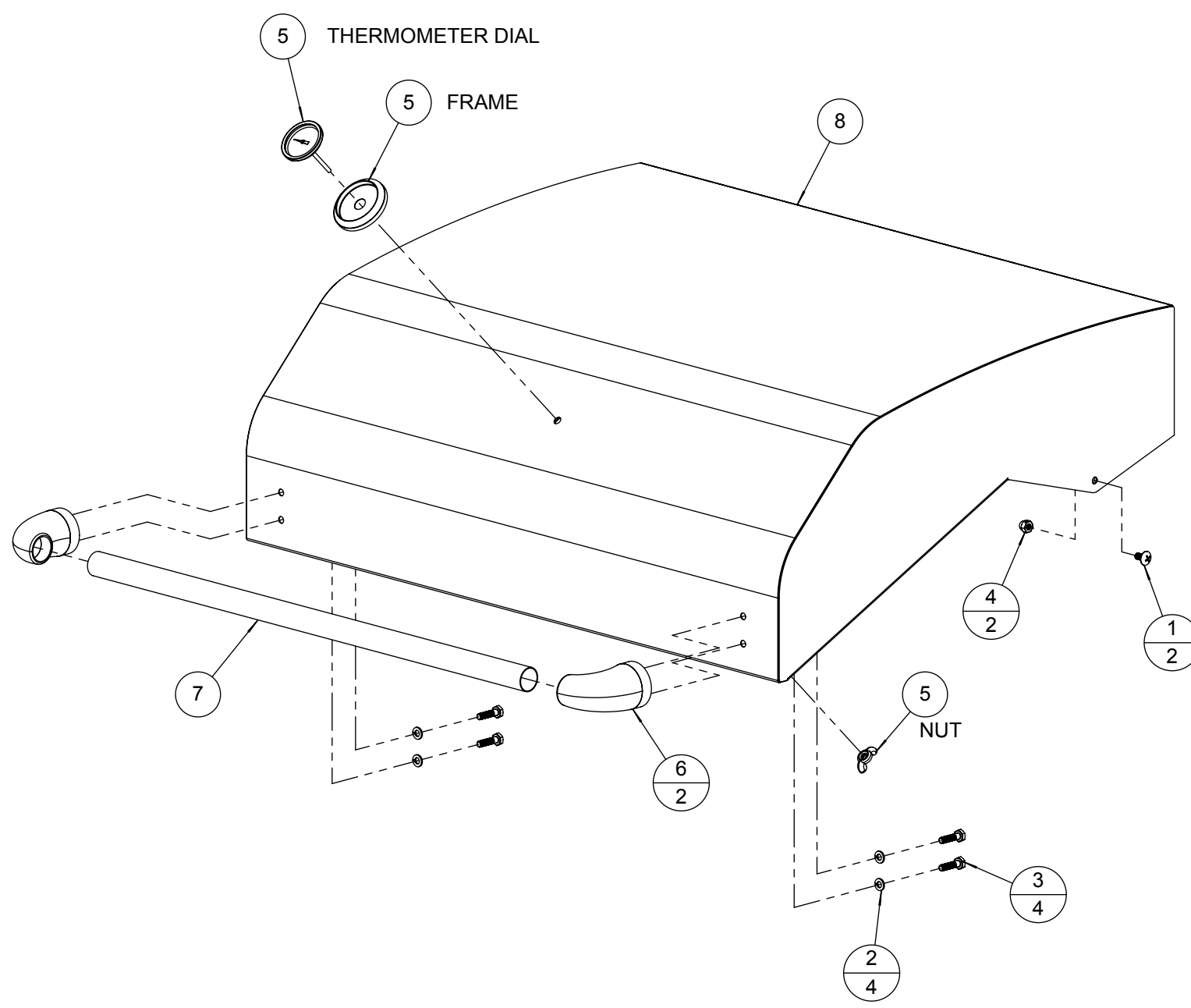
THE INFORMATION CONTAINED IN THIS DRAWING IS THE SOLE PROPERTY OF SUPERIOR EQUIPMENT SOLUTIONS INC. ANY REPRODUCTION IN PART OR AS A WHOLE WITHOUT WRITTEN PERMISSION FROM SUPERIOR EQUIPMENT SOLUTIONS, INC. IS PROHIBITED.  
**DRAWN BY:** ADRIAN CRISCI  
**CREATED:** 6/29/2011 12:58:19 PM

**PROJECT TITLE:**  
**ARTISAN ART-32 GRILL**  
**DRAWING TITLE:**  
**ARTISAN 32" ROTISSERIE BURNER PANEL**

**DRAWING NO.:**  
**510-0565 MANU**  
 SHEET 1 C

**BILL OF MATERIALS**

ITEM	PART N°	DESCRIPTION	QTY
1	200-0057	SCREW 1/4-20 X 1/2 - TRUSS HEAD - PHILPS	2
2	200-0087	WASHER - 1/4" SPRING LOCK- REGULAR - SS	4
3	200-0091	HH- HD - 1/4-20 x 1 x .75 THREAD	4
4	200-0313	NUT 1/4 x 20 - ACORN - SELF LOCKING	2
5	210-0490	ARTISAN THERMOMETER ASSEMBLY	1
6	290-0063	HANDLE - END CAP ASSEMBLY	2
7	290-0316	ARTISAN 32" BBQ - FRONT HOOD HANDLE BAR	1
8	510-0570	ARTISAN 32" BBQ - FRONT HOOD WELDED / ASSEMBLED PARTS	1



**Artisan**  
 SUPERIOR EQUIPMENT SOLUTIONS  
 7039 EAST SLAUSON AVENUE  
 COMMERCE, CA. 90040

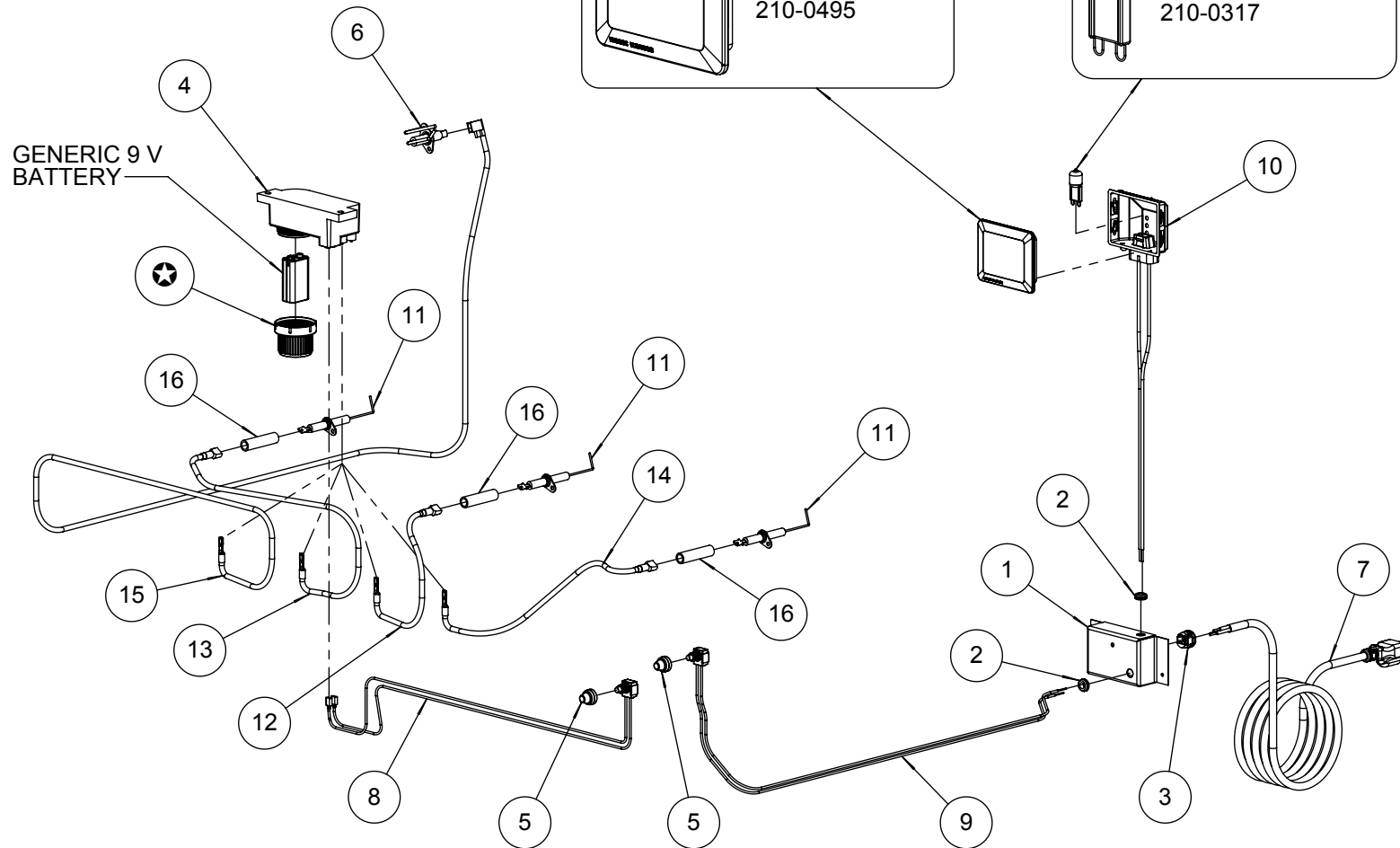
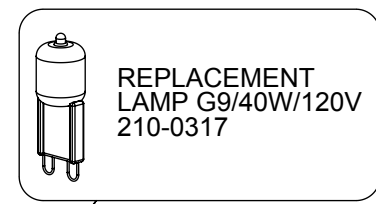
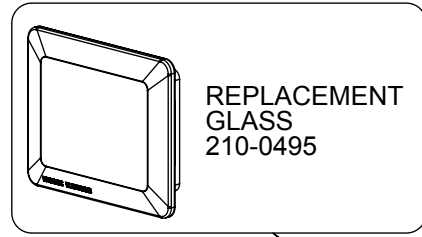
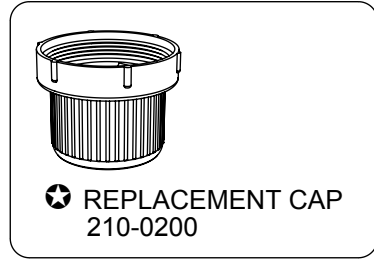
THE INFORMATION CONTAINED IN THIS DRAWING IS THE SOLE PROPERTY OF SUPERIOR EQUIPMENT SOLUTIONS INC. ANY REPRODUCTION IN PART OR AS A WHOLE WITHOUT WRITTEN PERMISSION FROM SUPERIOR EQUIPMENT SOLUTIONS, INC. IS PROHIBITED.  
**DRAWN BY:** ADRIAN CRISCI  
**CREATED:** 6/29/2011 12:33:50 PM

**PROJECT TITLE:**  
 ARTISAN ART-32 BRILL  
**DRAWING TITLE:**  
 ARTISAN 32" FRONT HOOD ASSEMBLY

**DRAWING NO.:**  
 510-0568 MANU  
 SHEET 1 C

**BILL OF MATERIALS**

ITEM	PART N°	DESCRIPTION	QTY
1	100-2043	ELECTRICAL BOX	1
2	200-0007	GROMMET 1/4" Ø - MMC# 9600K24	2
3	200-0009	HEYCO STRESS RELIEF BUSHING # 1200 SR 6N3-4	1
4	210-0194	IGNITER MODULE - 4 POINTS (WITH CAP)	1
5	210-0198	SWITCH - WEATHER BOOT & CAP	2
6	210-0240	ELECTRODE - DUAL TIP "L" SHAPE- ROTISSERIE	1
7	210-0287	BLACK POWER SUPPLY CORD 125V 15A 14/3 X 8FT LONG	1
8	210-0443	SWITCH BBQ - IGNITER - OFF/[ON] MOMENTARY - W/ 20" LEADS 1/4"QT	1
9	210-0470	SWITCH BBQ - LIGHT - [ON/OFF] - W / 38" LEADS	1
10	210-0488	LAMP FIXTURE ASSEMBLY - G9/120V/40W	1
11	210-0491	ARTISAN U-BURNER ELECTRODE TIP	3
12	SEE NOTE	ARTISAN IGNITER WIRE - 10" LONG - CENTER BURNER	1
13	SEE NOTE	ARTISAN IGNITER WIRE - 14" LONG - LEFT BURNER	1
14	SEE NOTE	ARTISAN IGNITER WIRE - 19" LONG - RIGHT BURNER	1
15	SEE NOTE	ARTISAN IGNITER WIRE - 53" LONG - ROTISSERIE	1
16	SEE NOTE	INSULATION SLEEVE - SILICONE 7/16" OD x 5/16" ID x 1-3/4" L	3



**NOTE:**

ITEMS (12) , (13) , (14) , (15) AND (16) ARE AVAILABLE UNDER KIT # 210-0541

ITEMS ARE NOT SOLD SEPARATELY



THE INFORMATION CONTAINED IN THIS DRAWING IS THE SOLE PROPERTY OF SUPERIOR EQUIPMENT SOLUTIONS INC. ANY REPRODUCTION IN PART OR AS A WHOLE WITHOUT WRITTEN PERMISSION FROM SUPERIOR EQUIPMENT SOLUTIONS, INC. IS PROHIBITED.

**DRAWN BY:** ADRIAN CRISCI  
**CREATED:** 6/30/2011 4:30:54 PM

**PROJECT TITLE:**  
**ARTISAN ART-32 GRILL**

**DRAWING TITLE:**  
**ARTISAN 32" ELECTRICAL PARTS**

**DRAWING NO.:**  
**510-0648 MANU**

SHEET 1 C