

This Owner's Manual is provided and hosted by [Appliance Factory Parts](#).



# VIKING VMOR506 Owner's Manual

[Shop genuine replacement parts for VIKING VMOR506](#)



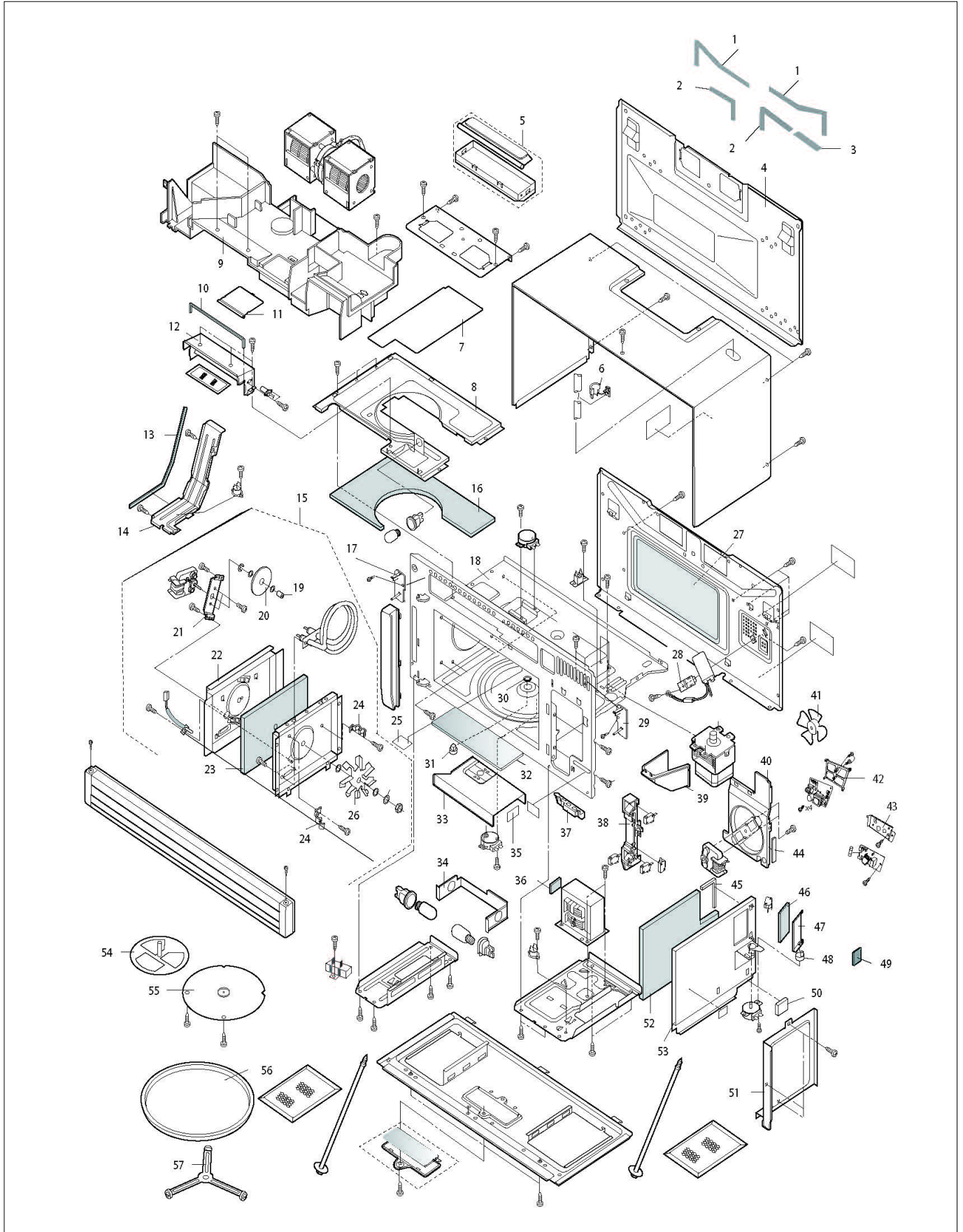
[Find Your VIKING Microwave Parts - Select From 37 Models](#)

----- Manual continues below -----

**VMOR506SS**

VMOR506SS Oven .....	1
VMOR506SS Miscellaneous .....	2
VMOR506SS Electrical .....	3
VMOR506SS Door .....	4
VMOR506SS Control Panel .....	5
VMOR506SS Cabinet Parts .....	6
Appendix A:Pages Index .....	A
Appendix B:Parts Index .....	B

VMOR506SS Oven

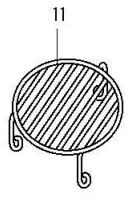
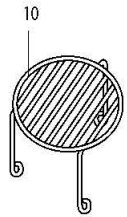
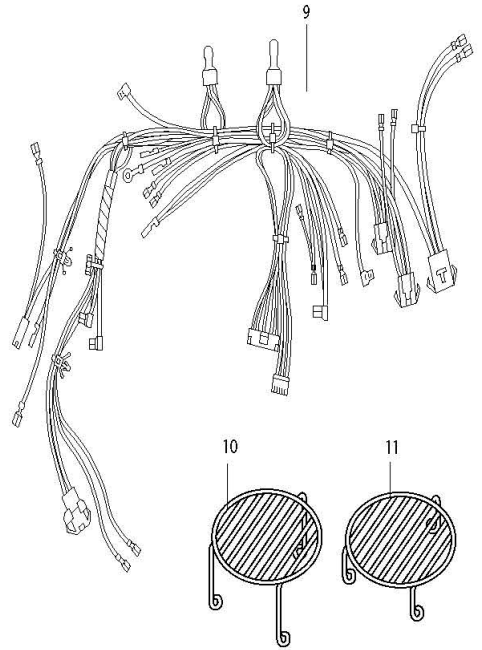
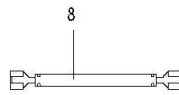
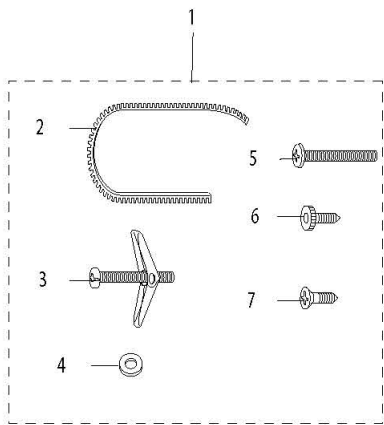




Item	Part No.	Name	Qty	Uom	NOTES
1	063817-000	CUSHION	1	EA	
2	063815-000	CUSHION	1	EA	
3	063816-000	CUSHION	1	EA	
4	063788-000	UNIT MOUNTING PLATE	1	EA	
5	PM120106	Exhaust Damper Assembly (FFTA-B004MRK0)	1	EA	
6	062589-000	SIDE ANGLE R	1	EA	
7	063803-000	HEAT PROTECT TOP SHEET	1	EA	
8	063806-000	TOP DUCT	1	EA	
9	070288-000	Hood exhaust duct	1	EA	
10	065014-000	CUSHION	1	EA	
11	063802-000	OVEN LAMP COVER	1	EA	
12	070287-000	Exhaust duct	1	EA	
13	063804-000	CUSHION	1	EA	
14	063789-000	HOOD INTAKE DUCT L	1	EA	
15	063787-000	CONVECTION HEATER UNIT	1	EA	
16	063809-000	HEAT PROTECT TOP	1	EA	
17	022477-000	End cap holder L	1	EA	
18	N/A	Oven cavity (not replaceable)	1	EA	
19	PM110081	COLLER	1	EA	
20	PM100093	CONVECTION MOTOR FAN	1	EA	
21	PM100094	CONVECTION MOTOR ANGLE	1	EA	NO LONGER AVAILABLE, Not available online / Call for pricing and availability
22	PM110082	Heater Cover - Left	1	EA	
23	PM110080	Heat Protector - Left	1	EA	NO LONGER AVAILABLE, Not available online / Call for pricing and availability
24	022467-000	HEATER MOUNTING HOLDER	2	EA	
25	PM110089	Oven Light Screen	1	EA	
26	PM100096	Convection Fan	1	EA	
27	063819-000	HEATER PROTECT REAR	1	EA	
28	063785-000	CAPACITOR HOLDER	1	EA	

Item	Part No.	Name	Qty	Uom	NOTES
29	PM110086	End Cap Holder - Right	1	EA	
30	022306-000	SILCON PACKING	1	EA	
31	PM100092	COUPLING	1	EA	
32	063818-000	HEAT PROTECT BOTTOM	1	EA	
33	063801-000	THERMAL COVER BOTTOM	1	EA	
34	063821-000	HOOD LAMP ANGLE	1	EA	
35	063820-000	CAVITY CUSHION	2	EA	
36	063794-000	CUSHION	1	EA	
37	PM120006	SWITCH LEVER	1	EA	
38	057735-000	LATCH HOOK	1	EA	
39	063807-000	MAGNETRON DUCT	1	EA	
40	063791-000	FAN DUCT	1	EA	
41	063790-000	FAN BLADE	1	EA	
42	063822-000	PWB HOLDER	1	EA	
43	063810-000	NOISE FILTER ANGLE	1	EA	
44	063815-000	CUSHION	1	EA	
45	063813-000	CUSHION	1	EA	
46	063796-000	DAMPER CUSHION	1	EA	
47	063798-000	DAMPER PLATE	1	EA	
48	063795-000	DAMPER CAM	1	EA	
49	063814-000	CUSHION	1	EA	
50	063812-000	CUSHION	1	EA	
51	063808-000	HOOD INTAKE DUCT R	1	EA	
52	063797-000	HEAT PROTECT R	1	EA	
53	063799-000	THERMAL COVER R	1	EA	
54	PM110078	Stirrer Fan Assembly	1	EA	
55	063786-000	STIRRER COVER ASSEMBLY	1	EA	
56	PM110076	Turntable Tray	1	EA	
57	PM110075	Turntable Support Assembly	1	EA	

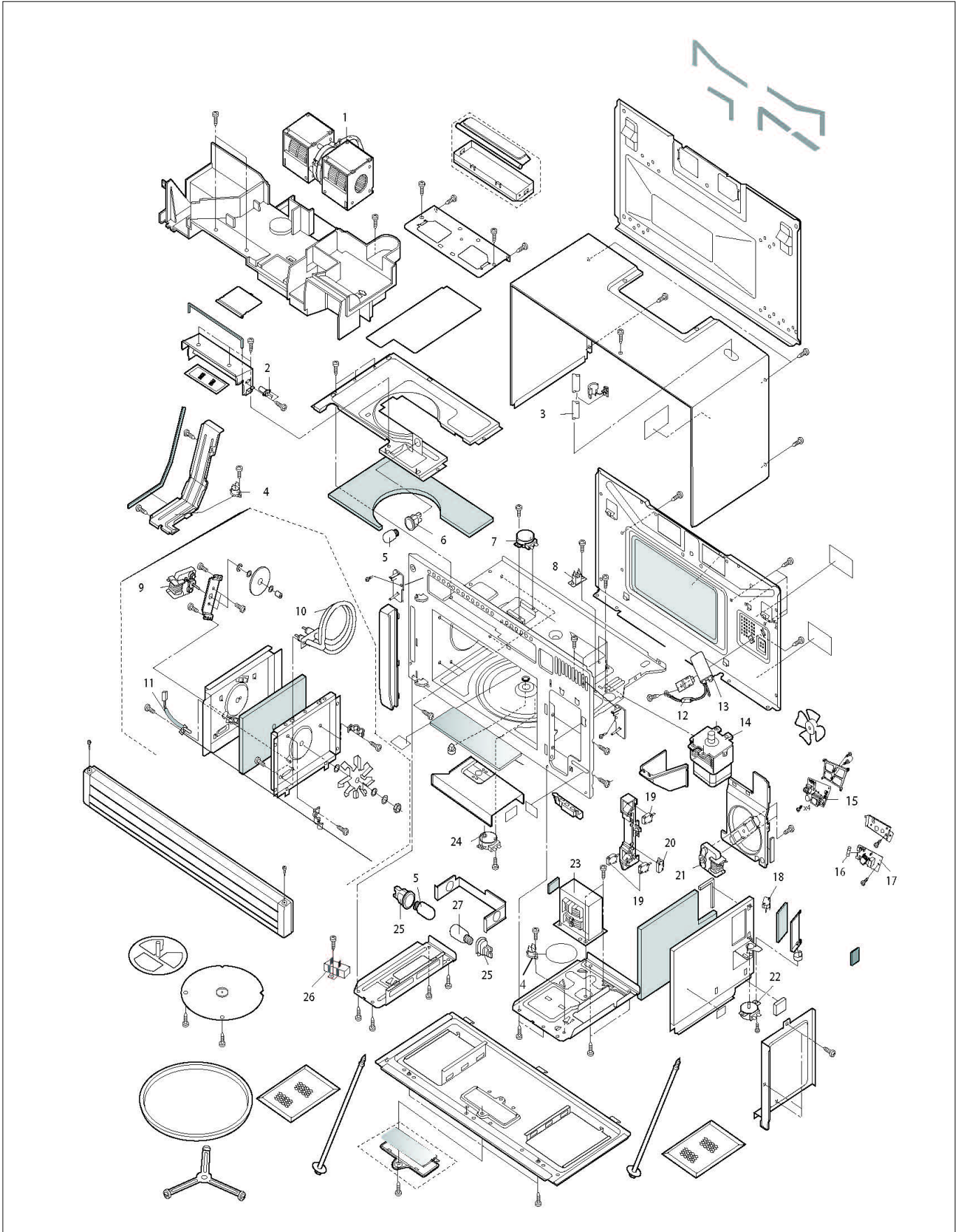
VMOR506SS Miscellaneous





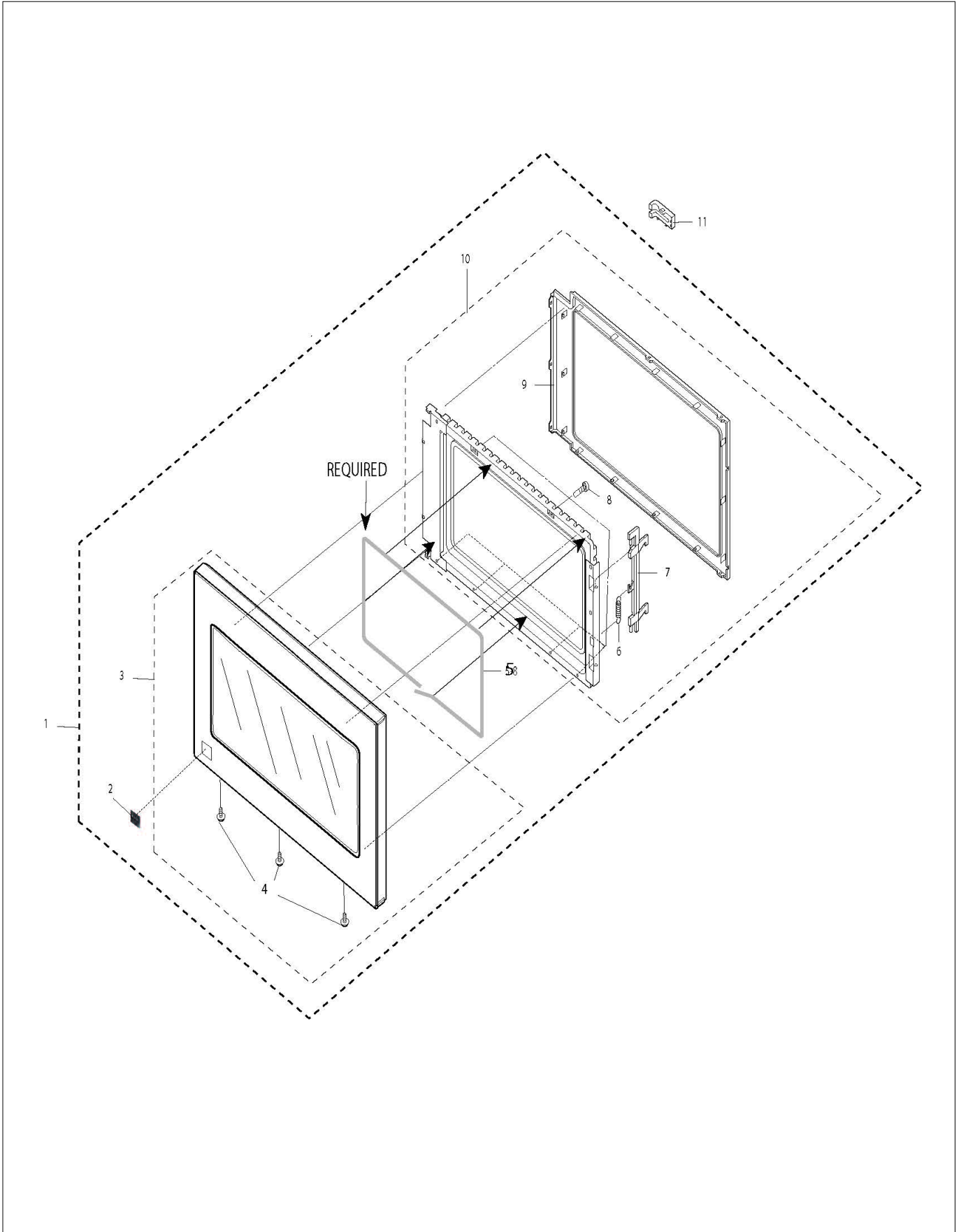
Item	Part No.	Name	Qty	Uom	NOTES
1	063837-000	INSTALLATION MATERIAL ASSEMBLY	1	EA	
2	PM120136	GROMMET (LBSHC0040MRE0)	1	EA	
3	PM120137	Toggle Screw (LX-BZ0195WRE0)	4	EA	NO LONGER AVAILABLE
4	022277-000	WASHER	1	EA	
5	PM120139	SCREW : 4MM X 8MM	2	EA	
6	PM120030	SCREW, XOTSD40P12000	1	EA	
7	022219-000	SCREW : 5MM X 35MM	6	EA	
8	PM100098	High Voltage Wire - A	1	EA	NO LONGER AVAILABLE, Not available online / Call for pricing and availability
9	070294-000	Main harness	1	EA	
10	PM110094	High Rack	1	EA	
11	PM110095	Low Rack	1	EA	
12	050588-000	HEAT DEFLECTOR	1	EA	

VMOR506SS Electrical



Item	Part No.	Name	Qty	Uom	NOTES
1	070284-000	Hood fan motor	1	EA	
2	066273-000	AH SENSOR	1	EA	
3	066272-000	POWER SUPPLY CORD	1	EA	
4	PM100071	THERMAL CUTOUT N.O. 60o C	2	EA	
5	PM100081	Hood / Oven Lamp	2	EA	
6	PM100039	OVEN LAMP SOCKET	1	EA	
7	022386-000	STIRRER MOTOR	1	EA	
8	PM100016	OVEN TEMP FUSE	1	EA	
9	PM100079	CONVECTION MOTOR	1	EA	
10	022394-000	CONVECTION HEATER	1	EA	
11	PM100077	THERMISTOR	1	EA	
12	PM100066	High Voltage Rectifier Assembly	1	EA	
13	PM100044	H.V. CAPACITOR (INTERCHANGEABLE)	1	EA	
14	063768-000	MAGNETRON	1	EA	
15	063772-000	SWITCHING POWER SUPPLY	1	EA	
16	063769-000	FUSE 20A	1	EA	
17	063771-000	NOISE FILTER	1	EA	
18	062583-000	SECONDARY/THIRD/STOP SWITCH	1	EA	
19	062583-000	SECONDARY/THIRD/STOP SWITCH	3	EA	
20	063005-000	SWITCH	1	EA	
21	PM100080	Fan Motor	1	EA	
22	022389-000	DAMPER MOTOR	1	EA	
23	049248-000	HV TRANSFORMER REPLACEMENT KIT	1	EA	
24	PM100069	TURNTABLE MOTOR	1	EA	
25	063234-000	HOOD LAMP SOCKET	2	EA	
26	PM100084	Noise Resistor	1	EA	
27	PM100086	Hood Lamp	1	EA	

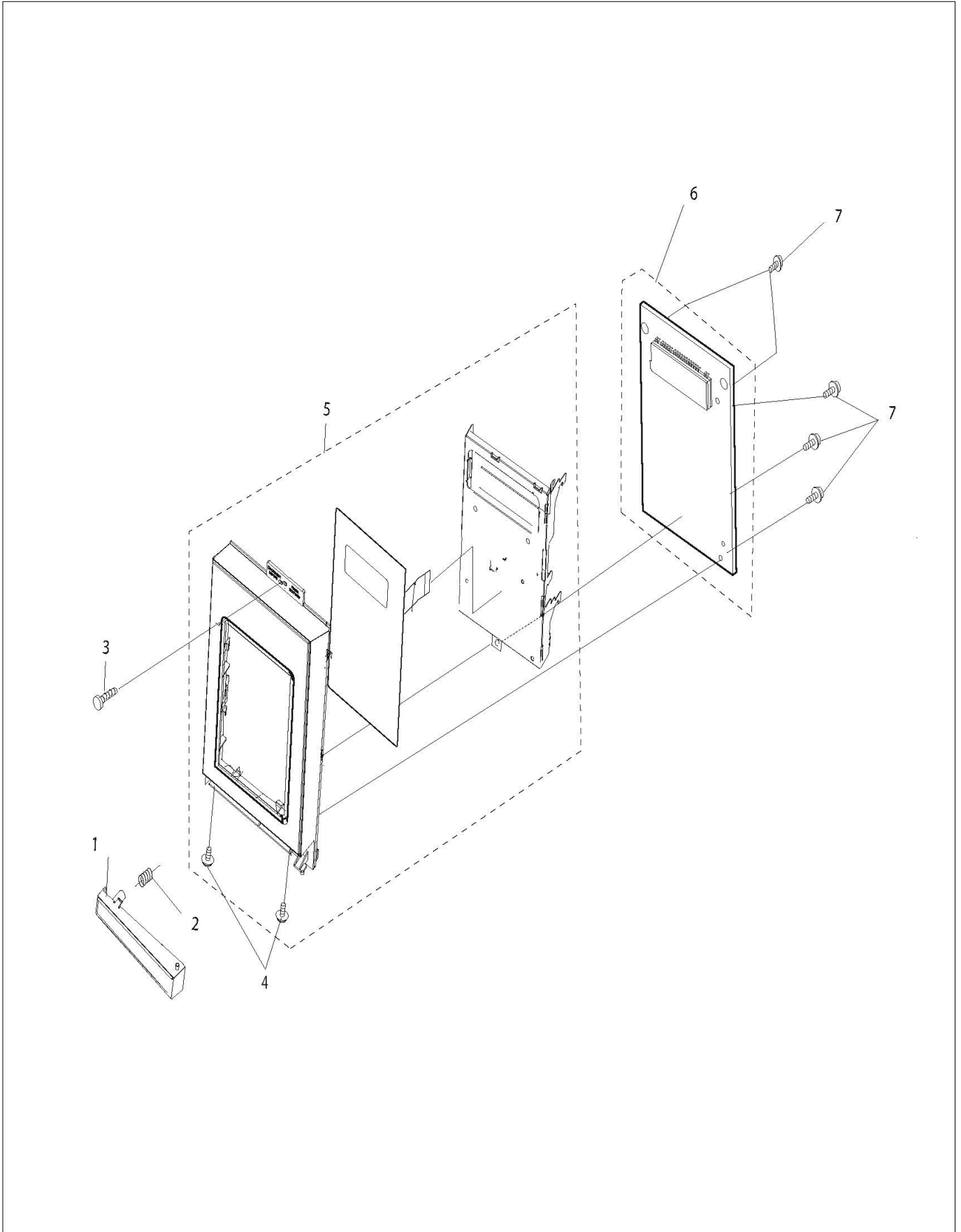
VMOR506SS Door





Item	Part No.	Name	Qty	Uom	NOTES
1	070290-000	Door assembly	1	EA	
2	070291-000	Viking prof. badge	1	EA	
3	070289-000	Door frame	1	EA	
4	PM120033	SCREW ; CONTROL PANEL MTG.	3	EA	
5	PM120134	Door Cushion (PCUSUB073MRP0)	1	EA	
6	PM120007	LATCH SPRING	1	EA	
7	PM120133	Latch Head (LSTPPB025MRF0)	1	EA	
8	028823-000	SCREW; 4MM X 8MM	6	EA	Not available online / Call for pricing and availability
9	PM110093	Choke Cover	1	EA	
10	PM110090	Door Panel Assembly	1	EA	
11	PM120116	Door Stopper (LSTPPB024MRF0)	1	EA	

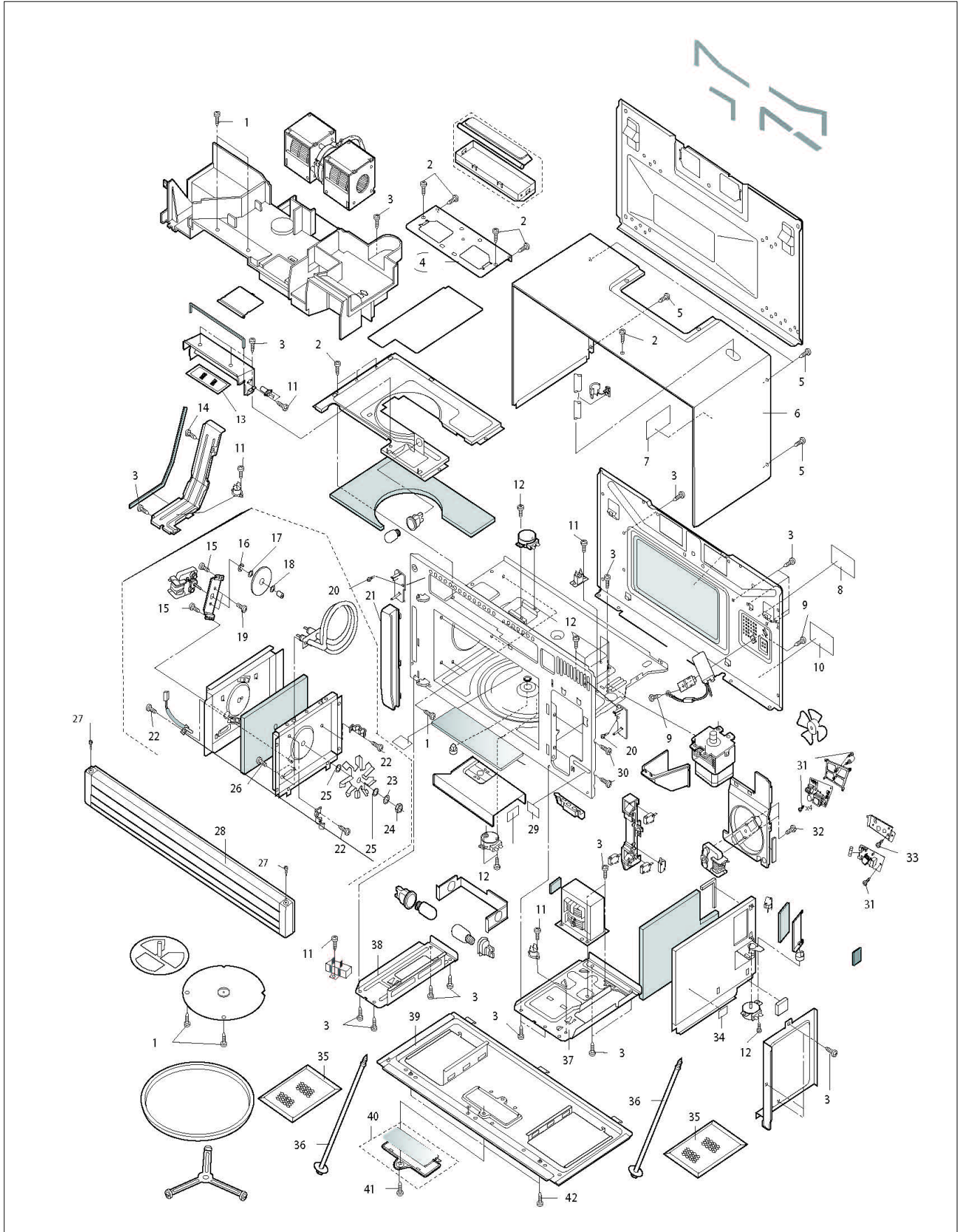
VMOR506SS Control Panel





Item	Part No.	Name	Qty	Uom	NOTES
1	063783-000	OPEN BUTTON ASSEMBLY	1	EA	
2	PM120044	OPEN BUTTON SPRING	1	EA	
3	PM120030	SCREW, XOTSD40P12000	1	EA	
4	PM120033	SCREW ; CONTROL PANEL MTG.	2	EA	
5	070285-000	Control panel sub. assembly	1	EA	
6	066274-000	CONTROL UNIT	1	EA	
7	022383-000	SCREW	3	EA	

VMOR506SS Cabinet Parts



Item	Part No.	Name	Qty	Uom	NOTES
1	PM120076	SCREW; 4MM X 10MM	10	EA	NO LONGER AVAILABLE
2	PM120159	SCREW	9	EA	
3	PM120030	SCREW, XOTSD40P12000	32	EA	
4	063780-000	REAR STAY	1	EA	
5	PM120030	SCREW, XOTSD40P12000	4	EA	
6	063776-000	OUTER CASE CABINET	1	EA	
7	063777-000	SCHEMATIC DIAGRAM	1	EA	
8	022237-000	NHW CAUTION LABEL	1	EA	Not available online / Call for pricing and availability
9	022271-000	SCREW : 4MM X 8MM	1	EA	
10	063828-000	DHHS SERVICE CAUTION LABEL	1	EA	
11	PM120143	Screw, 3mm X 8mm	4	EA	NO LONGER AVAILABLE, Not available online / Call for pricing and availability
12	PM120002	SPECIAL SCREW	9	EA	
13	022440-000	CHARCOAL FILTER	1	EA	
14	022451-000	SCREW : 4MM X 8MM	1	EA	
15	022456-000	SCREW : 4MM X 8MM	2	EA	
16	PM120152	E-Ring	1	EA	NO LONGER AVAILABLE, Not available online / Call for pricing and availability
17	063833-000	WASHER	1	EA	
18	PM120158	Washer, 5mm X 0.8mm	1	EA	NO LONGER AVAILABLE, Not available online / Call for pricing and availability
19	PM120144	Screw, 3mm X 6mm	2	EA	NO LONGER AVAILABLE
20	PM120147	SCREW (LX-CZB020MRE0)	2	EA	
21	063779-000	Left Sash assy	1	EA	
22	PM120092	SCREW: 3MM X 6MM	5	EA	

Item	Part No.	Name	Qty	Uom	NOTES
23	PM120157	Washer, 4mm X 0.8mm	1	EA	NO LONGER AVAILABLE, Not available online / Call for pricing and availability
24	PM120154	Nut, 4mm X 3.2mm	1	EA	NO LONGER AVAILABLE
25	PM120156	Washer, 5mm X 2mm	2	EA	NO LONGER AVAILABLE, Not available online / Call for pricing and availability
26	022474-000	SCREW : 4MM X 6MM	2	EA	
27	PM120033	SCREW ; CONTROL PANEL MTG.	2	EA	
28	PM110065	Hood Exhaust Louver (VMOR205SS)	1	EA	
29	005196-000	GND CAUTION LABEL	1	EA	NO LONGER AVAILABLE, Not available online / Call for pricing and availability
30	PM120003	SCREW	2	EA	NO LONGER AVAILABLE
31	022262-000	SCREW; 3MM X 10MM		EA	
32	PM120148	SCREW : 3MM X 14MM	2	EA	NO LONGER AVAILABLE, Not available online / Call for pricing and availability
33	028721-000	SCREW	1	EA	
34	063829-000	MONITOR CAUTION LABEL	1	EA	
35	PM110064	Grease Filter	2	EA	
36	PM120149	Unit Mounting Screw	2	EA	
37	063774-000	BASE PLATE RIGHT	1	EA	
38	063775-000	BASE PLATE LEFT	1	EA	
39	063778-000	BASE COVER	1	EA	
40	PM110070	Hood Lamp Glass Assembly	1	EA	
41	PM120159	SCREW	1	EA	
42	PM120153	Screw, 4mm X 12mm	3	EA	



Appendix A:Pages Index

VMOR506SS Cabinet Parts ..... 6  
VMOR506SS Control Panel ..... 5  
VMOR506SS Door ..... 4  
VMOR506SS Electrical ..... 3  
VMOR506SS Miscellaneous ..... 2  
VMOR506SS Oven ..... 1



Appendix B:Parts Index

005196-000	6	063787-000	1
022219-000	2	063788-000	1
022237-000	6	063789-000	1
022262-000	6	063790-000	1
022271-000	6	063791-000	1
022277-000	2	063794-000	1
022306-000	1	063795-000	1
022383-000	5	063796-000	1
022386-000	3	063797-000	1
022389-000	3	063798-000	1
022394-000	3	063799-000	1
022440-000	6	063801-000	1
022451-000	6	063802-000	1
022456-000	6	063803-000	1
022467-000	1	063804-000	1
022474-000	6	063806-000	1
022477-000	1	063807-000	1
028721-000	6	063808-000	1
028823-000	4	063809-000	1
049248-000	3	063810-000	1
050588-000	2	063812-000	1
057735-000	1	063813-000	1
062583-000	3, 3	063814-000	1
062589-000	1	063815-000	1, 1
063005-000	3	063816-000	1
063234-000	3	063817-000	1
063768-000	3	063818-000	1
063769-000	3	063819-000	1
063771-000	3	063820-000	1
063772-000	3	063821-000	1
063774-000	6	063822-000	1
063775-000	6	063828-000	6
063776-000	6	063829-000	6
063777-000	6	063833-000	6
063778-000	6	063837-000	2
063779-000	6	065014-000	1
063780-000	6	066272-000	3
063783-000	5	066273-000	3
063785-000	1	066274-000	5
063786-000	1	070284-000	3
		070285-000	5



070287-000	1	PM120007	4
070288-000	1	PM120030	2, 5, 6, 6
070289-000	4	PM120033	4, 5, 6
070290-000	4	PM120044	5
070291-000	4	PM120076	6
070294-000	2	PM120092	6
PM100016	3	PM120106	1
PM100039	3	PM120116	4
PM100044	3	PM120133	4
PM100066	3	PM120134	4
PM100069	3	PM120136	2
PM100071	3	PM120137	2
PM100077	3	PM120139	2
PM100079	3	PM120143	6
PM100080	3	PM120144	6
PM100081	3	PM120147	6
PM100084	3	PM120148	6
PM100086	3	PM120149	6
PM100092	1	PM120152	6
PM100093	1	PM120153	6
PM100094	1	PM120154	6
PM100096	1	PM120156	6
PM100098	2	PM120157	6
PM110064	6	PM120158	6
PM110065	6	PM120159	6, 6
PM110070	6		
PM110075	1		
PM110076	1		
PM110078	1		
PM110080	1		
PM110081	1		
PM110082	1		
PM110086	1		
PM110089	1		
PM110090	4		
PM110093	4		
PM110094	2		
PM110095	2		
PM120002	6		
PM120003	6		
PM120006	1		