

This Owner's Manual is provided and hosted by [Appliance Factory Parts](#).



VIKING VMOC506 Owner's Manual

[Shop genuine replacement parts for VIKING VMOC506](#)

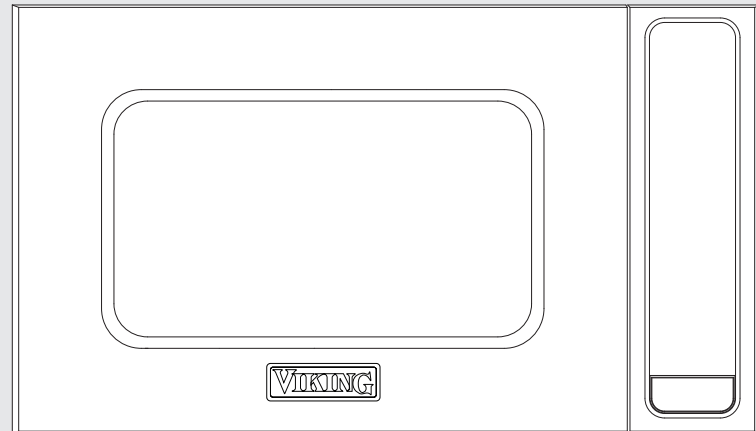


[Find Your VIKING Microwave Parts - Select From 37 Models](#)

----- Manual continues below -----



Installation / Use & Care Manual



Built-in / Freestanding Convection Microwave Oven VMOC506





Service Information

If service is required:

1. Call your authorized service agency.
2. Have the following information readily available:
 - a. Model number
 - b. Serial number
 - c. Date purchased
 - d. Name of dealer from whom purchased
3. Clearly describe the problem that you are having.

If you are unable to obtain the name of an authorized service agency, or if you continue to have service problem, contact Viking Range, LLC at (888) 845-4641 or write to:

VIKING RANGE, LLC
 PREFERRED SERVICE
 111 Front Street
 Greenwood, Mississippi (MS) 38930 USA

Record the information indicated below. You will need it if service is ever required. The model and serial number for your oven are located on the left side of the oven cavity on an identification label.

Model Number _____ Serial Number _____

Date of Purchase _____ Date Installed _____

Dealer's Name _____

Address _____

If service requires installation of parts, use only authorized parts to ensure protection under the warranty.

PLEASE RETAIN THIS MANUAL FOR FUTURE REFERENCE



Table of Contents

2 SERVICE INFORMATION	
3 TABLE OF CONTENTS	
3 PRECAUTIONS TO AVOID POSSIBLE EXPOSURE TO EXCESSIVE MICROWAVE ENERGY	
4 IMPORTANT SAFETY INSTRUCTIONS	
5 INSTALLATION INSTRUCTION	
6 GROUNDING INSTRUCTIONS	
7-10 INFORMATION YOU NEED TO KNOW	
7 About Your Microwave Oven	
7 About Safety	
7 About Children and the Microwave	
7-8 About Microwave Cooking	
8 About Food	
9-10 About Utensils and Coverings	
11-12 PART NAMES	
11 Microwave Oven Parts	
11 Accessories	
12 Control Panel	
13 BEFORE OPERATING	
13 To Set the Clock	
13 Stop/Clear	
14 MANUAL OPERATION	
14 Time Cooking	
14 To Set Power Level	
14 Manual Defrost	
15-18 MICROWAVE FEATURES	
15 Defrost	
16 Sensor Cooking	
16 Reheat	
16 Popcorn	
17 Sensor Chart	
18 Sensor Cook	
18 Sensor Cook Chart	
19-21 CONVECTION AUTOMATIC OPERATION	
19 Convec Broil	
19 Convec Broil Chart	
20 Convec Roast	
20 Convec Roast Chart	
21 Convec Bake	
21 Convec Bake Chart	
22-24 MANUAL CONVECTION AND AUTOMATIC MIX COOKING	
22-23 Convection Cooking	
22 To Cook with Convection	
22 To Preheat and Cook with Convection	
22 Broil	
23 Slow Cook	
23-24 Automatic Mix Cooking	
23 To Cook with Automatic Mix	
23 To Preheat and Cook with Automatic Mix	
23 Helpful Hints for Convection and Automatic Mix Cooking	
25-26 OTHER CONVENIENT FEATURES	
25 Multiple Sequence Cooking	
25 More or Less Time Adjustment	
25 Add-A-Minute	
25-26 Help (Control pad)	
26 Timer	
26 Touch On	
26 Help (Display indicator)	
26 Demonstration Mode	
27 CLEANING AND CARE	
28 SPECIFICATIONS	
29 SERVICE CALL CHECK	
30 WARRANTY	

PRECAUTIONS TO AVOID POSSIBLE EXPOSURE TO EXCESSIVE MICROWAVE ENERGY

- Do not attempt to operate this microwave oven with the door open since open-door operation can result in harmful exposure to microwave energy. It is important not to defeat or tamper with the safety interlocks.
- Do not place any object between the microwave oven front face and the door or allow soil or cleaner residue to accumulate on sealing surfaces.
- Do not operate the microwave oven if it is damaged. It is particularly important that the microwave oven door close properly and that there is no damage to the: (1) door (bent), (2) hinges and latches (broken or loosened), (3) door seals and sealing surfaces.
- The microwave oven should not be adjusted or repaired by anyone except properly qualified service personnel.

IMPORTANT SAFETY INSTRUCTIONS

When using electrical appliances basic safety precautions should be followed, including the following:

WARNING - To reduce the risk of burns, electric shock, fire, injury to persons or exposure to excessive microwave energy:

1. Read all instructions before using the appliance.
2. Read and follow the specific "PRECAUTIONS TO AVOID POSSIBLE EXPOSURE TO EXCESSIVE MICROWAVE ENERGY" on page 3.
3. This appliance must be grounded. Connect only to properly grounded outlet. See "GROUNDING INSTRUCTIONS" on page 6.
4. Install or locate this appliance only in accordance with the provided installation instructions.
5. Some products such as whole eggs and sealed containers—for example, closed glass jars—are able to explode and should not be heated in this oven.
6. Use this appliance only for its intended use as described in this manual. Do not use corrosive chemicals or vapors in this appliance. This type of oven is specifically designed to heat, cook or dry food. It is not designed for industrial or laboratory use.
7. As with any appliance, close supervision is necessary when used by children.
8. Do not operate this appliance if it has a damaged cord or plug, if it is not working properly or if it has been damaged or dropped.
9. This appliance should be serviced only by qualified service personnel. Contact nearest Authorized Servicer for examination, repair or adjustment.
10. Do not cover or block any openings on the appliance.
11. Do not store or use this appliance outdoors. Do not use this product near water—for example, near a kitchen sink, in a wet basement, near a swimming pool, or similar locations.
12. Do not immerse cord or plug in water.
13. Keep cord away from heated surfaces.
14. Do not let cord hang over edge of table or counter.
15. See door surface cleaning instructions on page 27.
16. To reduce the risk of fire in the microwave oven cavity:
 - a. Do not overcook food. Carefully attend to appliance when paper, plastic or other combustible materials are placed inside the microwave oven to facilitate cooking.
 - b. Remove wire twist-ties from paper or plastic bags before placing bag in microwave oven.
 - c. **If materials inside the microwave oven should ignite, keep microwave oven door closed, turn microwave oven off and disconnect the power cord or shut off power at the fuse or circuit breaker panel.**
 - d. Do not use the cavity for storage purposes. Do not leave paper products, cooking utensils or food in the cavity when not in use.
17. Liquids, such as water, coffee or tea are able to be overheated beyond the boiling point without appearing to be boiling. Visible bubbling or boiling when the container is removed from the microwave oven is not always present. **THIS COULD RESULT IN VERY HOT LIQUIDS SUDDENLY BOILING OVER WHEN A SPOON OR OTHER UTENSIL IS INSERTED INTO THE LIQUID.**

To reduce the risk of injury to persons:

 - a. Do not overheat the liquid.
 - b. Stir the liquid both before and halfway through heating it.
 - c. Do not use straight-sided containers with narrow necks. Use a wide-mouthed container.
 - d. After heating, allow the container to stand in the microwave oven at least for 20 seconds before removing the container.
 - e. Use extreme care when inserting a spoon or other utensil into the container.
18. If the microwave oven is installed as a built-in, observe the following instructions:
 - a. Do not mount over a sink.
 - b. Do not store anything directly on top of the appliance surface when the appliance is in operation.
19. If the microwave oven light fails, consult an AUTHORIZED SERVICER.

SAVE THESE INSTRUCTIONS

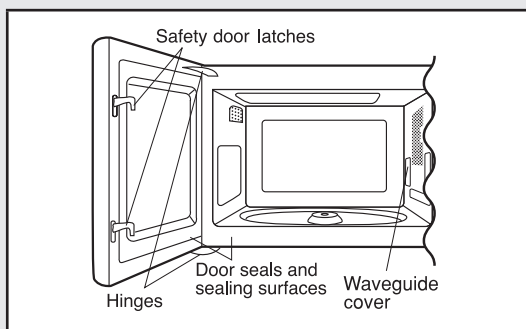


Installation Instructions

UNPACKING AND EXAMINING YOUR MICROWAVE OVEN

Remove all packing materials from inside the microwave oven cavity; however, **DO NOT REMOVE THE WAVEGUIDE COVER**, which is located on the right cavity wall. Read enclosures and **SAVE** the Installation/Use and Care Manual.

Check the microwave oven for any damage, such as misaligned or bent door, damaged door seals and sealing surfaces, broken or loose door hinges and latches and dents inside the cavity or on the door. If there is any damage, do not operate the microwave oven and contact your local authorized service agent.



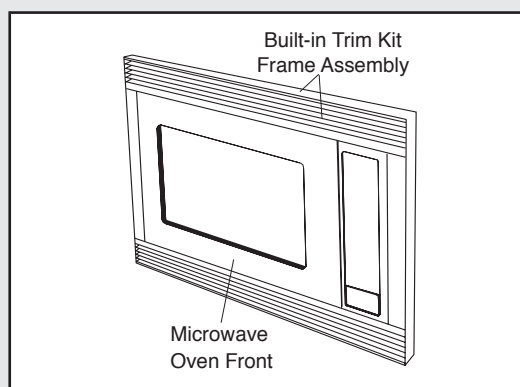
CHOOSING A LOCATION

For Your Microwave Oven on the Counter

You will use the microwave oven frequently so plan its location for ease of use. It's wise, if possible, to have counter space on at least one side of the microwave oven. Allow at least 2 inches on the sides, top and at the rear of the microwave oven for air circulation.

For Your Built-in Microwave Oven

Your microwave oven can be built into a cabinet or wall by itself or above any electric wall oven or warming drawer.



Grounding Instructions

This appliance must be grounded. This microwave oven is equipped with a cord having a grounding wire with a grounding plug. It must be plugged into a wall receptacle that is properly installed and grounded in accordance with the National Electrical Code and local codes and ordinances. In the event of an electrical short circuit, grounding reduces risk of electric shock by providing an escape wire for the electric current.

WARNING – Improper use of the grounding plug can result in a risk of electric shock.

ELECTRICAL REQUIREMENTS

The electrical requirements are a 120 volt 60 Hz, AC only, 15 amp. or more protected electrical supply. It is recommended that a separate circuit serving only this appliance be provided.

The microwave oven is equipped with a 3-prong grounding plug. It must be plugged into a wall receptacle that is properly installed and grounded. Should you only have a 2-prong outlet, have a qualified electrician install a correct wall receptacle.

A 3-prong adapter may be purchased and used temporarily if local codes allow. Follow package directions.

A short power-supply cord is provided to reduce risk of becoming entangled in or tripping over a longer cord.

EXTENSION CORD

If it is necessary to use an extension cord, use only a 3-wire extension cord that has a 3-blade grounding plug and a 3-slot receptacle that will accept the plug on the microwave oven. The marked rating of the extension cord should be AC 115-120 volt, 15 amp. or more.

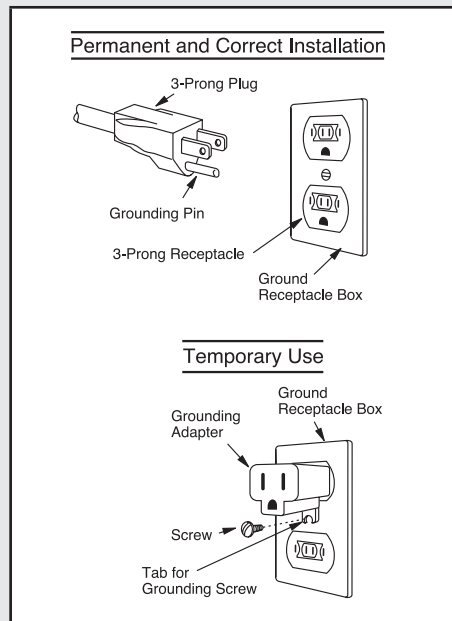
Be careful not to drape the cord over the countertop or table where it can be pulled on by children or tripped over accidentally.

Note:

1. If you have any questions about the grounding or electrical instructions, consult a qualified electrician or service person.
2. Neither Viking Range, LLC nor the dealer can accept any liability for damage to the microwave oven or personal injury resulting from failure to observe the correct electrical connection procedures.

RADIO OR TV INTERFERENCE

Should there be any interference caused by the microwave oven to your radio or TV, check that the microwave oven is on a different electrical circuit, relocate the radio or TV as far away from the microwave oven as feasible or check position and signal of receiving antenna.





Information You Need To Know

ABOUT YOUR MICROWAVE OVEN

This Installation/Use and Care Manual is valuable: read it carefully and always save it for reference.

A good microwave cookbook is a valuable asset. Check it for microwave cooking principles, techniques, hints and recipes.

NEVER use the microwave oven without the turntable and support nor turn the turntable over so that a large dish could be placed in the microwave oven. The turntable will turn both clockwise and counterclockwise.

ALWAYS have food in the microwave oven when it is on to absorb the microwave energy.

When using the microwave oven at power levels below 100%, you may hear the magnetron cycling on and off. It is normal for the exterior of the microwave oven to be warm to the touch when cooking or reheating.

Condensation is a normal part of microwave cooking. Room humidity and the moisture in food will influence the amount of moisture that condenses in the microwave oven. Generally, covered foods will not cause as much condensation as uncovered ones. Vents on the microwave oven back must not be blocked.

After using convection, automatic mix or broil, you will hear the sound of the cooling fan. The fan may continue to operate as long as 5 minutes, depending on the oven temperature.

Be aware that, unlike microwave-only ovens, convection microwave ovens have a tendency to become hot during convection, automatic mix and broil cooking.

The microwave oven is for food preparation only. It should not be used to dry clothes or newspapers.

Your microwave oven is rated 900 watts by using the IEC Test Procedure. In using recipes or package directions, check food a minute or two before the minimum time and add time accordingly.

ABOUT SAFETY

- Check foods to see that they are cooked to the United States Department of Agriculture's recommended temperatures.

To test for doneness, insert a meat thermometer in a thick or dense area away from fat or bone. NEVER leave the thermometer in the food during cooking, unless it is approved for microwave oven use.

TEMP	FOOD
160°F (71°C)	...for fresh pork, ground meat, boneless white poultry, fish, seafood, egg dishes and frozen prepared food.
165°F (74°C)	...for leftover, ready-to-reheat refrigerated, and deli and carry-out "fresh" food.

TEMP	FOOD
170°F (77°C)	... white meat of poultry.
180°F (82°C)	... dark meat of poultry.

- ALWAYS use potholders to prevent burns when handling utensils that are in contact with hot food. Enough heat from the food can transfer through utensils to cause skin burns.
- Avoid steam burns by directing steam away from the face and hands. Slowly lift the farthest edge of a dish's covering and carefully open popcorn and microwave oven cooking bags away from the face.
- Stay near the microwave oven while it's in use and check cooking progress frequently so that there is no chance of overcooking food.
- NEVER use the cavity for storing cookbooks or other items.
- Select, store and handle food carefully to preserve its high quality and minimize the spread of foodborne bacteria.
- Keep waveguide cover clean. Food residue can cause arcing and/or fires.
- Use care when removing items from the microwave oven so that the utensil, your clothes or accessories do not touch the safety door latches.
- Keep aluminum foil used for shielding at least 1 inch (2.5 cm) away from walls, ceiling and door of microwave oven.

ABOUT CHILDREN AND THE MICROWAVE

Children below the age of 7 should use the microwave oven with a supervising person very near to them. Between the ages of 7 and 12, the supervising person should be in the same room.

The child must be able to reach the microwave oven comfortably; if not, he/she should stand on a sturdy stool.

At no time should anyone be allowed to lean or swing on the microwave oven door.

Children should be taught all safety precautions: use potholders, remove coverings carefully, pay special attention to packages that crisp food because they may be extra hot.

Don't assume that because a child has mastered one cooking skill he/she can cook everything.

Children need to learn that the microwave oven is not a toy. See page 25 for Safety Lock feature.

ABOUT MICROWAVE COOKING

- Arrange food carefully. Place thickest areas towards outside of dish.



Information You Need To Know

- Watch cooking time. Cook for the shortest amount of time indicated and add more as needed. Food severely overcooked can smoke or ignite.
- Cover foods while cooking. Check recipe or cookbook for suggestions: paper towels, wax paper, microwave plastic wrap or a lid. Covers prevent spattering and help foods to cook evenly.
- Shield with small flat pieces of aluminum foil any thin areas of meat or poultry to prevent overcooking before dense, thick areas are cooked thoroughly.
- Stir foods from outside to center of dish once or twice during cooking, if possible.
- Turn foods over once during microwaving to speed cooking of such foods as chicken and hamburgers. Large items like roasts must be turned over at least once.
- Rearrange foods such as meatballs halfway through cooking both from top to bottom and from the center of the dish to the outside.
- Add standing time. Remove food from microwave oven and stir, if possible. Cover for standing time which allows the food to finish cooking without overcooking.
- Check for doneness. Look for signs indicating that cooking temperatures have been reached.
Doneness signs include:
 - Food steams throughout, not just at edge.
 - Center bottom of dish is very hot to the touch.
 - Poultry thigh joints move easily.
 - Meat and poultry show no pinkness.
 - Fish is opaque and flakes easily with a fork.

ABOUT FOOD

FOOD	DO	DON'T
Eggs, sausages, nuts, seeds, fruits & vegetables	<ul style="list-style-type: none"> • Puncture egg yolks before cooking to prevent "explosion". • Pierce skins of potatoes, apples, squash, hot dogs and sausages so that steam escapes. 	<ul style="list-style-type: none"> • Cook eggs in shells. • Reheat whole eggs. • Dry nuts or seeds in shells.
Popcorn	<ul style="list-style-type: none"> • Use specially bagged popcorn for the microwave oven. • Listen while popping corn for the popping to slow to 1 or 2 seconds or use special Popcorn pad. 	<ul style="list-style-type: none"> • Pop popcorn in regular brown bags or glass bowls. • Exceed maximum time on popcorn package.
Baby food	<ul style="list-style-type: none"> • Transfer baby food to small dish and heat carefully, stirring often. Check temperature before serving. • Put nipples on bottles after heating and shake thoroughly. "Wrist" test before feeding. 	<ul style="list-style-type: none"> • Heat disposable bottles. • Heat bottles with nipples on. • Heat baby food in original jars.
General	<ul style="list-style-type: none"> • Cut baked goods with filling after heating to release steam and avoid burns. • Stir liquids briskly before, during and after heating to avoid "eruption". • Use deep bowl, when cooking liquids or cereals, to prevent boilovers. 	<ul style="list-style-type: none"> • Heat or cook in closed glass jars or air tight containers. • Can in the microwave as harmful bacteria may not be destroyed. • Deep fat fry. • Dry wood, gourds, herbs or wet papers.



Information You Need To Know

ABOUT UTENSILS AND COVERINGS

It is not necessary to buy all new cookware. Many pieces already in your kitchen can be used successfully in your new convection microwave oven. The chart below will help you decide what utensils and coverings should be used in each mode.

UTENSILS AND COVERINGS	MICROWAVE ONLY	CONVECTION BROIL, SLOW COOK	HIGH MIX/ ROAST LOW MIX/BAKE
Aluminum foil	YES. Small flat pieces of aluminum foil placed smoothly on food can be used to shield areas from cooking or defrosting too quickly. Keep foil at least 1 inch from walls of oven.	YES. For shielding	YES. For shielding
Aluminum containers	YES. Can be used if 3/4 filled with food. Keep 1 inch away from walls and do not cover with foil.	YES. Broil-No cover	YES. Can be used if 3/4 filled with food. Keep 1 inch away from walls and do not cover with foil.
Browning dish	YES. Do not exceed recommended preheating time. Follow manufacturer's directions.	NO	NO
Glass ceramic (Pyroceram®)	YES. Excellent	YES. Excellent	YES. Excellent
Glass, heat-resistant	YES. Excellent	YES. Excellent	YES. Excellent
Glass, non-heat-resistant	NO	NO	NO
Lids, glass	YES	YES. Broil-No cover	YES
Lids, metal	NO	YES. Broil-No cover	NO
Metal cookware	NO	YES	YES. Do not use metal covering.
Metal, misc: dishes with metallic trim, screws, bands, handles. Metal twist ties	NO	NO	NO
Oven cooking bags	YES. Good for large meats or foods that need tenderizing. DO NOT use metal twist ties.	YES. Broil-No cover	YES. DO NOT use metal twist ties.
Paper plates	YES. For reheating.	NO	NO
Paper towels	YES. To cover for reheating and cooking. Do not use recycled paper towels which may contain metal fillings.	NO	NO
Paper, ovenable	YES	YES. For temperatures up to 400°F. Do not use for broiling.	YES. For temperatures up to 400°F.
Microwave-safe plastic containers	YES. Use for reheating and defrosting. Some microwave-safe plastics are not suitable for cooking foods with high fat and sugar content. Follow manufacturer's directions.	NO	NO



Information You Need To Know

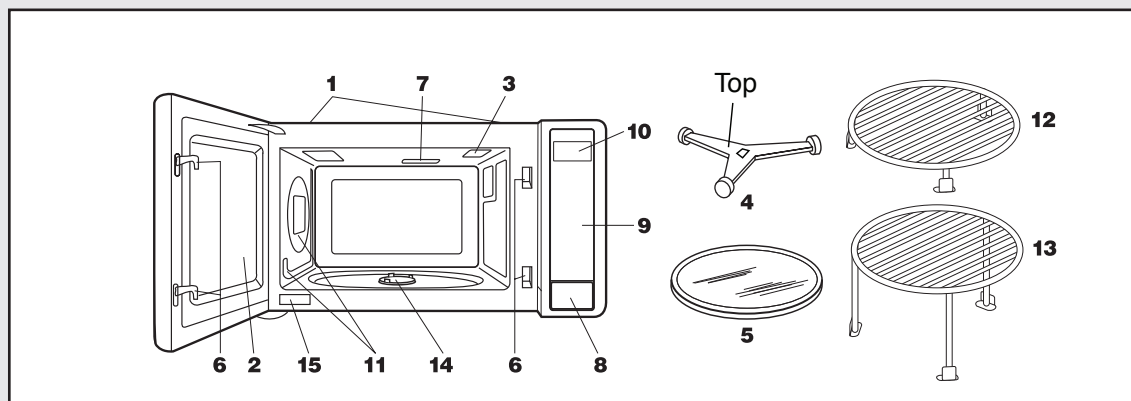
UTENSILS AND COVERINGS	MICROWAVE ONLY	CONVECTION BROIL, SLOW COOK	HIGH MIX/ ROAST LOW MIX/BAKE
Plastic, Thermoset®	YES	YES. Are heat resistant up to 425°F. Do not use for broiling.	YES
Plastic wrap	YES. Use brands specially marked for microwave use. DO NOT allow plastic wrap to touch food. Vent so steam can escape.	NO	NO
Pottery, porcelain stoneware	YES. Check manufacturer's recommendation for being microwave safe.	YES	YES. Must be microwave safe AND ovenable.
Styrofoam	YES. For reheating.	NO	NO
Wax paper	YES. Good covering for cooking and reheating.	NO	NO
Wicker, wood, straw	YES. May be used for short periods of time. Do not use with high fat or high sugar content foods. Could char.	NO	NO

DISH CHECK - If you wish to check if a dish is safe for microwaving, place the empty dish in the oven and microwave on HIGH for 30 seconds. If the dish becomes very hot, do NOT use it for microwaving.

ACCESSORIES - There are many microwave accessories available for purchase. Evaluate carefully before you purchase so that they meet your needs. A micro-wave-safe thermometer will assist you in determining correct doneness and assure you that foods have been cooked to safe temperatures when using microwave-only cooking. Viking Range, LLC is not responsible for any damage to the oven when accessories are used.

Part Names

MICROWAVE OVEN PARTS



- | | |
|---|---|
| <ul style="list-style-type: none"> 1 Ventilation openings (Rear side) 2 Oven door with see-through window 3 Oven light
It will light when the door is opened or when oven is in operation. 4 Turntable support 5 Removable turntable
The turntable will rotate clockwise or counterclockwise. 6 Safety door latches
The oven will not operate unless the door is securely closed. | <ul style="list-style-type: none"> 7 Waveguide cover:
DO NOT REMOVE. 8 Door open button 9 Auto-Touch control panel 10 Lighted digital display 11 Convection air openings 12 Removable low rack (Broiling rack) 13 Removable high rack (Baking rack) 14 Turntable motor shaft 15 Serial plate |
|---|---|

ACCESSORIES

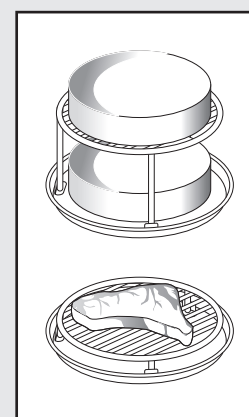
The following accessories are designed especially for use in this oven only for convection, mix or broil cooking. **DO NOT USE FOR MICROWAVE ONLY COOKING.** Do not substitute similar types of racks for these specially designed ones.

High rack (Baking rack)—for convection and low mix.

- This rack is placed on the turntable for two-level cooking, such as layer cakes, muffins, etc.

Low rack (Broiling rack)—for convection, broiling or high mix.

- Place on the turntable and use for roasting or broiling to allow juices to drain away from food.



Product Controls

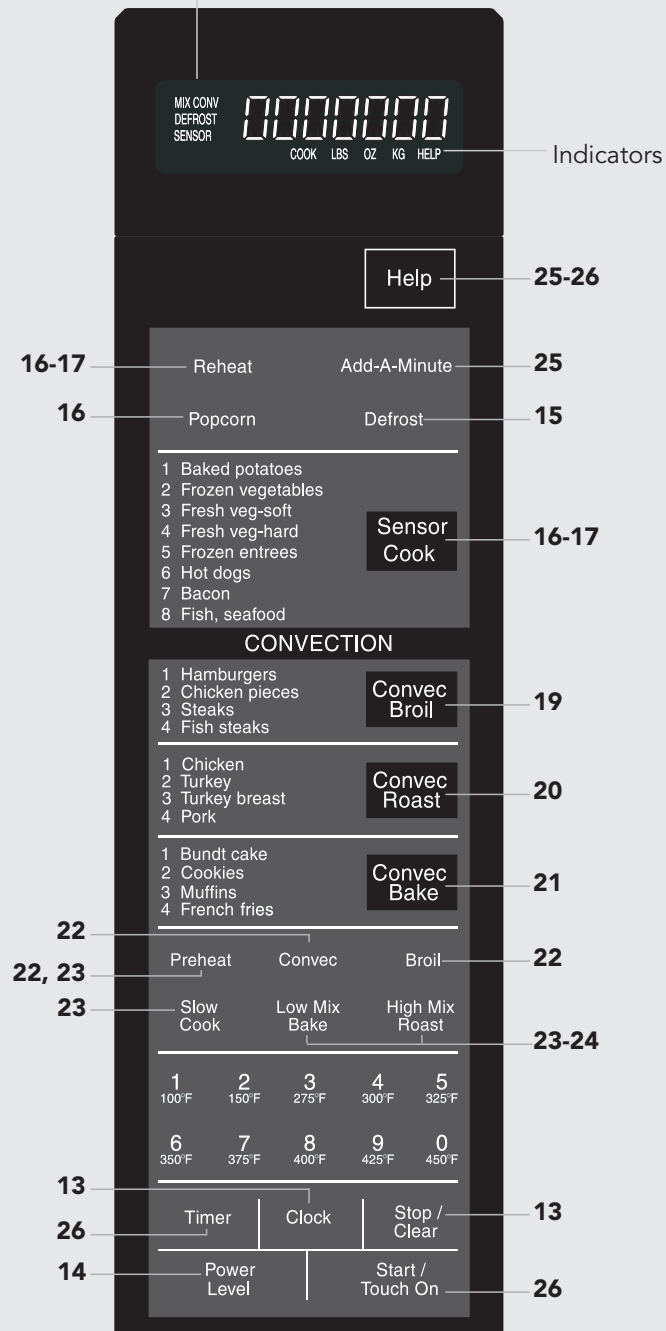


Part Names

CONTROL PANEL

Interactive Display
Words will light in the display to indicate features and cooking instructions.

Product Controls



Number next to the control panel illustration indicates pages on which there are feature descriptions and usage information.



Before Operating

- Before operating your new microwave oven make sure you read and understand this Installation/Use and Care Manual completely.
- Before the microwave oven can be used, follow these procedures:
 1. Plug in the microwave oven. Close the door. The microwave oven display will show WELCOME PRESS CLEAR AND PRESS CLOCK.
 2. Touch the Stop/Clear pad. : will appear.
 3. Set clock.

TO SET THE CLOCK

1. Touch Clock pad.
2. Enter the correct time of day by touching the numbers in sequence. Touch Clock pad again.

This is a 12 hour clock. If you attempt to enter an incorrect clock time, ERROR will appear in the display. Touch the Stop/Clear pad and re-enter the time.

- If the electrical power supply to your microwave oven should be interrupted, the display will intermittently show WELCOME PRESS CLEAR AND PRESS CLOCK after the power is reinstated. If this occurs during cooking, the program will be erased. The time of day will also be erased. Simply touch Stop/Clear pad and reset the clock for the correct time of day.

STOP/CLEAR

Touch the Stop/Clear pad to:

1. Erase if you make a mistake during programming.
2. Cancel timer.
3. Stop the microwave oven temporarily during cooking.
4. Return the time of day to the display.
5. Cancel a program during cooking, touch twice.



Manual Operation

TIME COOKING

Your microwave oven can be programmed for 99 minutes and 99 seconds (99.99). Always enter the seconds after the minutes, even if they are both zeros.

- Suppose you want to cook for 5 minutes at 100%.
 1. Enter cooking time by touching the number pads **5|0|0**.
 2. Touch Start/Touch On pad.

TO SET POWER LEVEL

There are eleven preset power levels.

Using lower power levels increases the cooking time which is recommended for foods such as cheese, milk and long slow cooking of meats. Consult cookbook or recipes for specific recommendations.

TOUCH POWER LEVEL PAD ONCE THEN TOUCH	APPROXIMATE PERCENTAGE OF POWER	COMMON WORDS FOR POWER LEVELS
Power Level	100%	High
9	90%	
8	80%	
7	70%	Medium High
6	60%	
5	50%	Medium
4	40%	
3	30%	Med Low/Defrost
2	20%	
1	10%	Low
0	0%	

- Suppose you want to defrost for 5 minutes at 30%.
 1. Enter defrosting time by touching the number pads **5|0|0**.
 2. Touch Power Level pad and number **3**.
 3. Touch Start/Touch On pad.

You can program up to 4 automatic cooking sequences. Follow directions on page 25. Note that Power Level must be entered first when programming multiple sequences.

MANUAL DEFROST

If the food that you wish to defrost is not listed on the DEFROST CHART or is above or below the limits in the "Amount" column on the DEFROST CHART, you need to defrost manually.

You can defrost any frozen food, either raw or previously cooked, by using Power Level 3. Follow the exact 3-step procedure found under To Set Power Level. Estimate defrosting time and press **3** for 30% when you select the power level.

For either raw or previously cooked frozen food the rule of thumb is approximately 5 minutes per pound. For example, defrost 5 minutes for 1 pound of frozen spaghetti sauce.

Always stop the oven periodically to remove or separate the portions that are defrosted. If food is not defrosted at the end of the estimated defrosting time, program the oven in 1 minute increments on Power Level 3 until totally defrosted.

When using plastic containers from the freezer, defrost only long enough to remove from the plastic in order to place in a microwave-safe dish.



Microwave Features

DEFROST

Defrost automatically defrosts foods shown in the Defrost Chart.

- Suppose you want to defrost a 2.0 pound steak:
 1. Touch Defrost pad once.
 2. Select desired food by touching Defrost pad until the display shows the food name. Ex. touch twice for steak.
 3. Enter weight by touching the number pads **2****0**.
 4. Touch Start/Touch On pad.

The oven will stop and directions will be displayed. Follow the indicated message.

5. After the 1st stage, open the door. Turn steak over and shield any warm portions. Close the door. Touch Start/Touch On pad.
6. After the 2nd stage, open the door. Shield any warm portions. Close the door. Touch Start/Touch On pad.
7. After defrost cycle ends, cover and let stand as indicated in chart below.

Note:

1. If you attempt to enter more or less than the allowed amount as indicated in chart, an error message will appear in the display.
2. Defrost can be programmed with More or Less Time Adjustment. See page 25.
3. To defrost other foods or foods above or below the weights allowed on Defrost Chart see Manual Defrost on page 14.

DEFROST CHART

FOOD	AMOUNT	PROCEDURE
1. Ground Meat	0.5-3.0 lb (0.3-1.3 kg)	Remove any thawed pieces after each stage. Let stand, covered, 5–10 minutes.
2. Steaks (Chops) (Fish)	0.5-4.0 lb (0.3-1.8 kg)	After each stage of defrost cycle, rearrange and if there are warm or thawed portions, shield with small flat pieces of aluminum foil. Remove any meat or fish that is nearly defrosted. Let stand, covered, 10–20 minutes.
3. Chicken pieces	0.5-3.0 lb (0.3-1.3 kg)	After each stage of defrost cycle, if there are warm or thawed portions, rearrange or remove. Let stand, covered, 10–20 minutes.

Note:

Check foods when oven signals. After final stage, small sections may still be icy. Let stand to continue thawing. Do not defrost until all ice crystals are thawed.

Shielding prevents cooking from occurring before the center of the food is defrosted. Use small smooth strips of aluminum foil to cover edges and thinner sections of the food.



Microwave Features

SENSOR COOKING

The Sensor is a semi-conductor device that detects the vapor (moisture and humidity) emitted from the food as it heats. The sensor adjusts the cooking times and power level for various foods and quantities.

USING SENSOR SETTINGS:

1. After oven is plugged in, wait 2 minutes before using sensor settings.
2. Be sure the exterior of the cooking container and the interior of the oven are dry. Wipe off any moisture with a dry cloth or paper towel.
3. Reheat and Popcorn can only be entered within 1 minute after cooking, opening and closing the door or touching the Stop/Clear pad.
4. During the first part of sensor cooking, the food name will appear on the display. Do not open the oven door or touch Stop/Clear during this part of the cooking cycle. The measurement of vapor will be interrupted. If this occurs, an error message will appear. To continue cooking, touch the Stop/Clear pad and select cooking time and variable power.

When the sensor detects the vapor emitted from the food, remainder of cooking time will appear. Door may be opened when remaining cooking time appears on the display. At this time, you may stir or season food, as desired.

5. Check food for temperature after cooking. If additional time is needed, continue to cook with variable power and time.
6. If the sensor does not detect vapor properly when popping popcorn, the oven will turn off, and the correct time of day will be displayed. If the sensor does not detect vapor properly when using sensor reheat, ERROR will be displayed, and the oven will turn off.
7. Any Sensor Cooking mode can be programmed with More or Less Time Adjustment. See page 25.
8. Each food has a cooking hint. Touch HELP when the HELP indicator is lighted in the display.

SELECTING FOODS:

1. The sensor works with foods at normal storage temperature. For example, food for dinner plate reheat would be at refrigerator temperature and popcorn at room temperature.
2. Foods weighing less than 3 ounces should be reheated by time and variable power.

COVERING FOODS:

Some foods work best when covered. Use the cover recommended in the chart for these foods.

1. Casserole lid.
2. Plastic wrap: Use plastic wrap recommended for microwave cooking. Cover dish loosely; allow approximately 1/2 inch to remain uncovered to allow steam to escape. Plastic wrap should not touch food.
3. Wax paper: Cover dish completely; fold excess wrap under dish to secure. If dish is wider than paper, overlap two pieces at least one inch to cover.

Be careful when removing any covering to allow steam to escape away from you.

REHEAT

You can reheat many foods by touching just one pad. You don't need to calculate reheating time or power level.

- Suppose you want to heat prepared chili:

Touch Reheat pad.

When sensor detects the vapor emitted from the food, remainder of reheating time will appear.

POPCORN

- Suppose you want to pop a 3.5 oz. bag of popcorn:

Touch Popcorn pad once.

This sensor setting works well with most brands of microwave popcorn. You may wish to try several and choose your favorite. Pop only one bag at a time. Unfold the bag and place in oven according to directions.



Microwave Features

SENSOR CHART

FOOD	AMOUNT	PROCEDURE
Reheat Leftovers such as rice, potatoes, vegetables, casserole.	4 - 36 oz	Place in dish or casserole slightly larger than amount to be reheated. Flatten, if possible. Cover with lid, plastic wrap or wax paper. Use covers such as plastic wrap or lids with larger quantities of more dense foods such as stews. After reheating, stir well, if possible. Foods should be very hot. If not, continue to heat with variable power and time. After stirring, re-cover and allow to stand 2 to 3 minutes.
Soups	1-4 cups	After reheating, stir well, if possible. Foods should be very hot. If not, continue to heat with variable power and time. After stirring, recover and allow to stand 2 to 3 minutes.
Canned entrees and vegetables	4 - 36 oz	Use Less Time Adjustment by touching Power Level pad twice for small quantities of canned vegetables.
Popcorn	Only 1 package at a time	Use only popcorn packaged for micro-wave oven use. Try several brands to decide which you like best. Do not try to pop unpopped kernels. More/Less Time Adjustment can be used to provide adjustment needed for older popcorn or individual tastes.
	3.0-3.5 oz bag (Regular size)	Touch Popcorn pad once. This setting works well with most 3.0-3.5 oz bags of microwave popcorn.
	1.5-1.75 oz bag (Snack size)	Touch Popcorn pad twice within 2 seconds for snack size bags.



Microwave Features

SENSOR COOK

- Suppose you want to cook a baked potato:

1. Touch Sensor Cook pad.

2. Select desired sensor setting. Ex: touch number pad **1** to cook baked potatoes.

3. Touch Start/Touch On pad. When sensor detects the vapor emitted from the food, the remainder of cooking time will appear.

SENSOR COOK CHART

FOOD	AMOUNT	PROCEDURE
1. Baked potatoes	1 - 8 med.	Pierce. Place on paper-towel-lined turntable. After cooking, remove from microwave oven, wrap in aluminum foil and let stand 5 to 10 minutes.
2. Frozen vegetables	1 - 8 cups	Cover with lid or plastic wrap. After cook-ing, stir and let stand 3 minutes, covered.
3. Fresh Vegetables: Soft		Wash and place in casserole. Add no water if vegetables have just been washed. Cover with lid for tender vegetables. Use plastic wrap for tender-crisp vegetables. Stir before standing if possible. After cook-ing, let stand, covered, 2-5 minutes.
Broccoli	.25 - 2.0 lb.	
Brussels sprouts	.25 - 2.0 lb	
Cabbage	.25 - 2.0 lb	
Cauliflower (flowerets)	.25 - 2.0 lb	
Cauliflower (whole)	1 med.	
Spinach	.25 - 1.0 lb	
Zucchini	.25 - 2.0 lb	
Baked apples	2 - 4 med.	
4. Fresh vegetables: Hard		Place in casserole. Add 1-4 tbsp. water. Cover with lid for tender vegetables. Use plastic wrap cover for tender-crisp vegetables. Stir before standing, if possible. After cooking, let stand, covered, 2-5 minutes.
Carrots, sliced	.25 - 1.5 lb	
Corn on the cob	2 - 4 pcs.	
Green beans	.25 - 1.5 lb	
Winter squash:		
diced	.25 - 1.5 lb	
halves	1 - 2	
5. Frozen entrees	6-17 oz	Use for frozen convenience foods. It will give satisfactory results for most brands. You may wish to try several and choose your favorite. Re-move package from outer wrapping and follow package directions for covering. After cooking, let stand, covered, for 1 to 3 minutes.
6. Hot dogs	1-4 servings	Place hot dog in bun and wrap in paper towel or paper napkin.
7. Bacon	2-6 slices	Place bacon on paper plate, lined with paper towel. Bacon should not extend over the rim of plate. Cover with paper towel. Put another paper plate upside down on turntable. Place plate of bacon on top of overturned plate.
8. Fish, seafood	.25 - 2.0 lb	Arrange in ring around shallow glass dish (roll fillet with edges underneath). Cover with vented plastic wrap. After cooking, let stand, covered for 3 minutes.

Operation



Convection Automatic Operation

This section of the operation manual offers instructions for preparing 12 popular foods using Convec Broil, Convec Roast and Convec Bake.

After selecting the desired feature, follow the directions indicated in the display.

For helpful hints, simply touch HELP anytime HELP is lighted in the display.

Caution: The oven cabinet, cavity, door, turntable, turntable support, racks and dishes will become hot. To PREVENT BURNS, use thick oven gloves when removing the food or turntable from the oven.

CONVEC BROIL

Convec Broil automatically broils hamburgers, chicken pieces, steaks and fish steaks.

- Suppose you want to broil 2 hamburgers:
 1. Touch Convec Broil pad.
 2. Select desired setting. Ex: for hamburgers, touch number pad **1**.
 3. Touch number pad to enter quantity. Ex: **2**. Follow information in display for cooking information.

For well done or rare burgers, touch Power Level pad to select More for well done or Less for rare. See More or Less Time Adjustment on page 25.

4. Touch Start/Touch On pad.

After broil preheat cycle ends, the oven will stop and directions will be displayed. Follow the indicated message. Open the door and place hamburgers into oven. Close the door.

5. Touch Start/Touch On pad.

Note:

1. Convec Broil can be programmed with More or Less Time Adjustment. See page 25.
2. If you attempt to enter more or less than the allowed amount as indicated in chart below, an error message will appear in the display.
3. To broil other foods or foods above or below the weight or number allowed on Convec Broil Chart follow instructions in the Convection Microwave Cookbook. See Convection Broiling Chart.

CONVEC BROIL CHART

FOOD	AMOUNT	RACK	PROCEDURE
1. Hamburgers	1-8 pieces 0.25 lb each	Low	Use this setting to broil hamburger patties. Place on low rack.
2. Chicken pieces	0.5-3.5 lb	Low	Arrange pieces on low rack. After cooking, let stand, 3-5 minutes. Dark meat should be 180°F, and white meat should be 170°F.
3. Steaks	0.5-2.0 lb	Low	Use this setting to broil steaks from 3/4" to 1" thick. Individual bone-less steaks broil evenly. Place steak on low rack. For well done, touch Power Level once; for rare, touch Power Level twice.
4. Fish steaks	0.5-2.0 lb	Low	Use this setting to broil fish steak which is 3/4" to 1" thick. Place on low rack.



Convection Automatic Operation

CONVEC ROAST

Convec Roast automatically roasts chicken, turkey, turkey breast or pork.

- Suppose you want to roast a 2.5 pound chicken:
 1. Touch Convec Roast pad.
 2. Select desired setting. Ex: for chicken, touch number pad **1**.
 3. Touch number pad to enter weight. Ex: **2****5** lb.
 4. Touch Start/Touch On pad.

After Convec Roast cycle ends, a long tone will sound. Follow the indicated message.

Note:

1. Convec Roast can be programmed with More or Less Time Adjustment. See page 25.
2. If you attempt to enter more or less than the allowed weight as indicated in chart below, an error message will appear in the display.
3. To roast other food or foods above or below the weights allowed on Convec Roast Chart, check the Convection Microwave Cookbook Combination Roasting Chart.

CONVEC ROAST CHART

FOOD	AMOUNT	RACK	PROCEDURE
1. Chicken	2.5-7.5 lb	Low	After the cycle ends, cover with foil and let stand for 5-10 minutes.
2. Turkey	6.5-16.0 lb	Low	Season, as desired. Place on low rack. After the cycle ends, cover with foil and let stand 10 minutes. Internal temperature of white meat should be 170°F and of dark meat, 180°F.
3. Turkey breast	3.0-6.0 lb	Low	Season, as desired. Place on low rack. After the cycle ends, cover with foil and let stand 10 minutes. Internal temperature of white meat should be 170°F.
4. Pork	2.0-3.5 lb	Low	Boneless pork loin is recommended because it cooks evenly. Place on a low rack. After cooking, remove from oven, cover with foil and allow to stand 5-10 minutes. Internal temperature should be 160°F.



Convection Automatic Operation

CONVEC BAKE

Convec Bake automatically bakes cakes, brownies, muffins and French fries.

- Suppose you want to bake a bundt cake:
 1. Touch Convec Bake pad.
 2. Select desired setting. Ex: for bundt cake, touch number pad **1**.
 3. Touch Start/Touch On pad.

Note:

1. Convec Bake can be programmed with More or Less Time Adjustment. See page 25.
2. To bake other foods, see the Convection Microwave Cookbook's baking section.

CONVEC BAKE CHART

FOOD	AMOUNT	RACK	PROCEDURE
1. Bundt cake	1 cake	No rack	Ideal for packaged cake mix or your own recipe. Prepare according to package or recipe directions and place in a greased and floured bundt pan. Place pan in oven. Cool before frosting and serving.
2. Cookies	1 or 2 pizza pans	1 pizza pan - No rack 2 pizza pans - High	Ideal for refrigerated cookie dough. Prepare according to package or recipe directions and place on a greased and floured 12" pizza pan. Cookies should be approximately 1/3 inch thick and 2 inches in diameter for best results. After the preheat is over, place pan in oven. Cool before serving.
3. Muffins	6-12 cups 1 or 2 muffin pans	1 pan - No rack 2 pans - High	Ideal for packaged muffin mix or your own recipe for 6-12 medium size muffins. Prepare according to package or recipe directions and place in muffin pan. After the preheat is over, place pan in oven.
4. French fries	3-24 oz 1 or 2 pizza pans For more than 12 oz use 2 pans	1 pizza pan - No rack 2 pizza pans - High	Use frozen prepared French fries. No preheat is required for the French fries baking procedure. Place French fries on pizza pan. For shoestring potatoes, touch Power Level pad twice to enter less time before touching Start/Touch On pad.



Manual Convection and Automatic Mix Cooking

This section gives you specific cooking instructions and procedures. Please consult your Convection Microwave Cookbook for helpful hints for convection and combination cooking.


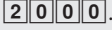
The oven should not be used without the turntable in place, and it should never be restricted so that it cannot rotate. You may remove the turntable when preheating the oven and when preparing food to be cooked directly on the turntable.

Caution: The oven cabinet, cavity, door, turntable, turntable support, racks and dishes will become hot. To PREVENT BURNS, use thick oven gloves when removing the food or turntable from the oven.

CONVECTION COOKING

During convection heating, hot air is circulated throughout the oven cavity to brown and crisp foods quickly and evenly. This oven can be programmed for ten different convection cooking temperatures for up to 99 minutes, 99 seconds.



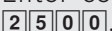
TO COOK WITH CONVECTION

- Suppose you want to cook at 350°F for 20 minutes:
 1. Touch Convec pad.
 2. Select temperature by touching number pad .
 3. Enter cooking time by touching number pads .
 4. Touch Start/Touch On pad.

Note: If you wish to know the programmed oven temperature, simply touch the Convec pad. As long as your finger is touching the Convec pad, the programmed oven temperature will be displayed.

TO PREHEAT AND COOK WITH CONVECTION

Your oven can be programmed to combine preheating and convection cooking operations. You can preheat to the same temperature as the convection temperature or change to a higher or lower temperature.

- Suppose you want to preheat to 350°F, and then cook 25 minutes at 375°F convection:
 1. Touch Preheat pad.
 2. Select temperature by touching number pad .
 3. Touch Convec pad.
 4. Select temperature by touching number pad .
 5. Enter cooking time by touching number pads .
 6. Touch Start/Touch On pad.

When the oven reaches the programmed temperature, a signal will sound 4 times*. The oven will stop, and directions will be displayed. Follow the indicated message.

7. Open the door. Place food in the oven. Close the door. Touch Start/Touch On pad.

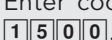
* If the oven door is not opened, the oven will automatically hold at the preheat temperature for 30 minutes. After this time has elapsed, an audible signal will sound, and the oven will turn off.

Note:

1. To program only preheat, touch the Start/Touch On pad after step 2. Preheating will start. When the oven reaches the programmed temperature, follow the indicated message.
2. To preheat and cook with the same temperature, enter same temperature in steps 2 and 4.

BROIL

Preheating is automatic when the Broil setting is used. Only actual cooking time is entered; the oven signals when it is preheated to 450°F. Oven temperature cannot be changed. Use Broil setting for steaks, chops, chicken pieces and many other foods. See Convection Broiling Chart in cookbook.

- Suppose you want to broil a steak for 15 minutes:
 1. Touch Broil pad.
 2. Enter cooking time by touching the number pads .
 3. Touch Start/Touch On pad. No food in oven.

When the oven reaches the programmed temperature, a signal will sound 4 times*.

4. Open the door. Place food in oven. Close the door. Touch Start/Touch On pad.

* If the oven door is not opened, the oven will automatically hold at the preheat temperature for 30 minutes. After this time has elapsed, an audible signal will sound and the oven will turn off.

Note:

1. Preheating for broil may take from 7 to 10 minutes depending on temperature of room and available power.
2. Although time is usually set for the maximum broiling time, always check food at the minimum time recommended in the chart of cookbook. This will eliminate the need to completely reprogram the oven if additional cooking time is needed. Simply close the oven door and touch Start/Touch On to continue.
3. Should you need more broiling time, reprogram within 1 minute of the end to eliminate preheating.

Caution: The oven cabinet, cavity, door, turntable, turntable support, racks and dishes will become hot. To PREVENT BURNS, use thick oven gloves when removing the food or turntable from the oven.

Manual Convection and Automatic Mix Cooking

SLOW COOK

Slow Cook is preset at 300°F for 4 hours. The temperature can be changed to below 300°F. The cooking time cannot be changed. This feature can be used for foods such as baked beans or marinated chuck steak.

- Suppose you want to change oven temperature from 300°F to 275°F:
 1. Touch Slow Cook pad.
 2. Touch Slow Cook pad once more if you want to change the temperature from 300°F.
 3. Touch temperature pad **3**_{275 F}.
 4. Touch Start/Touch On pad.

Note: If you do not change the temperature, omit steps 2 and 3.

AUTOMATIC MIX COOKING

This oven has two pre-programmed settings that make it easy to cook with both convection heat and microwave automatically.

	OVEN TEMPERATURE	MICROWAVE POWER
High mix/Roast	300°F	30%
Low mix/Bake	350°F	10%

With the exception of those foods that cook best by convection heating alone, most foods are well suited to mix cooking using either Low mix/Bake or High mix/Roast.

The marriage of these two cooking methods produces juicy meats, moist and tender cakes and fine textured breads, all with just the right amount of browning and crispness.

The temperatures can be changed; however, the microwave power cannot.

The oven temperature can be changed from 100°F to 450°F. To change the temperature, first touch High mix or Low mix then touch the same pad again. When the display says SELECT TEMP, touch desired temperature pad. Ex: High mix, High mix pad, **7**. The mix temperature will change to 375°F automatically.

TO COOK WITH AUTOMATIC MIX

- Suppose you want to bake a cake for 25 minutes on Low mix/Bake:
 1. Touch Low mix/Bake pad.
 2. Enter cooking time by touching number pads **2****5****0****0**.
 3. Touch Start/Touch On pad.

TO PREHEAT AND COOK WITH AUTOMATIC MIX

Your oven can be programmed to combine preheating and automatic mix cooking operations. You can preheat at the same temperature as the preset combination temperature or change it to a different temperature.

- Suppose you want to preheat to 350°F and then cook 25 minutes on 325°F low mix/bake:

1. Touch Preheat pad.
2. Touch temperature pad **6**_{350 F}.
3. Touch Low mix pad.
4. Touch Low mix pad once more to change the cooking temperature.
5. Touch temperature pad **5**_{325 F}.
6. Enter cooking time by touching number pads **2****5****0****0**.
7. Touch Start/Touch On pad.

When the oven reaches the programmed temperature, signal will sound 4 times*. The oven will stop and directions will be displayed. Follow the indicated message.

8. Open the door. Place food in the oven. Close the door. Touch Start/Touch On pad.

* If the oven door is not opened, the oven will automatically hold at the preheat temperature for 30 minutes. After this time has elapsed, an audible signal will sound and the oven will turn off.

Note: To program only preheat, touch the Start/Touch On pad after step 2. Preheating will start. When the oven reaches the programmed temperature, follow the indicated message.

HELPFUL HINTS FOR CONVECTION AND AUTOMATIC MIX COOKING

Your Convection Microwave Oven can cook any food perfectly because of the number of ways it can cook: microwave only, automatic mix, convection only or broil. The cookbook that comes with your oven has excellent instructions, guidelines, hints, charts and recipes to help you get the best use of your oven. Consult it often until you are familiar with it. This Operation Manual tells you how to program the oven.

The oven cannot be used without the turntable in place. Never restrict the movement of the turntable.

Convection Cooking:

1. When preheating, the turntable can be left in or removed. When using the high rack for 2 shelf baking in a preheated oven, it is easier to remove the turntable for preheat.

Place high rack on turntable along with foods. When preheat is over, open oven door and quickly place turntable, high rack and foods to be baked inside.
2. Do not cover turntable, low rack or high rack with aluminum foil. It interferes with air flow that cooks food.
3. Round pizza pans are excellent cooking utensils for many convection-only items. Choose pans that do not have extended handles.
4. Using a preheated low rack can give a grilled appearance to steaks, hot dogs etc.



Manual Convection and Automatic Mix Cooking

Automatic Mix Cooking:

1. Meats are best when roasted directly on the low rack. A dish can be placed below the meat if gravy is to be made from the drippings.
2. Less tender cuts of meat can be roasted and tenderized using oven cooking bags.
3. When baking, check for doneness after time has elapsed. If not completely done, let stand in oven a few minutes to complete cooking.

Note:

During mix baking some metal baking utensils may cause arcing when they come in contact with the turntable, oven walls or accessory racks. Arcing is a discharge of electricity that occurs when microwaves come in contact with metal.

If arcing occurs, place a heat resistant dish (Pyrex® pie plate, glass pizza dish or dinner plate) between the pan and the turntable or rack. If arcing occurs with other metal baking utensils, discontinue their use for mix cooking.



Other Convenient Features

MULTIPLE SEQUENCE COOKING

The oven can be programmed for up to 4 automatic cooking sequences for the microwave mode and 2 automatic cooking sequences with preheat for convection/mix mode, switching from one power level setting to another automatically.

Sometimes cooking directions tell you to start on one power level and then change to a different power level. Your oven can do this automatically.

- Suppose you want to cook roast beef for 5 minutes at 100% and then continue to cook for 30 minutes at 50%.
 1. First touch Power Level pad twice for 100% power. Then enter cooking time.
 2. Touch Power Level pad. Touch number pad **5** for 50% power. Then enter second cooking time.
 3. Touch Start/Touch On pad.

Note:

1. If Power Level pad is touched twice, HIGH will be displayed.
2. If you wish to know power level, simply touch the Power Level pad. As long as your finger is touching the Power Level pad, the power level will be displayed.

MORE OR LESS TIME ADJUSTMENT

Should you discover that you like any of the Sensor, Sensor Cook, Defrost, Convec Broil, Convec Roast or Convec Bake settings slightly more done, touch the Power Level pad once after touching your choice of pads.

Should you discover that you like any of the Sensor, Sensor Cook, Defrost, Convec Broil, Convec Roast or Convec Bake settings slightly less done, touch the Power Level pad twice after touching your choice of pads.

ADD-A-MINUTE

Add-A-Minute allows you to cook for a minute at 100% by simply touching the Add-A-Minute pad. You can also extend cooking time in multiples of 1 minute by repeatedly touching the Add-A-Minute pad during manual cooking.

- Suppose you want to heat a cup of soup for one minute. Touch Add-A-Minute pad.

Note:

1. To use Add-A-Minute, touch pad within 1 minute after cooking, closing the door, touching the Stop/Clear pad or during cooking.
2. Add-A-Minute cannot be used with Sensor, Sensor Cook, Defrost, Convec Broil, Convec Roast or Convec Bake.

HELP (CONTROL PAD)

Help provides 5 features which make using your microwave oven easy because specific instructions are provided in the interactive display.

1. SAFETY LOCK

The Safety Lock prevents unwanted microwave oven operation such as by small children. The microwave oven can be set so that the control panel is deactivated or locked. To set, touch Help, the number 1 and Start/Touch On pads. Should a pad be touched, LOCK will appear in the display.

To cancel, touch Help and Stop/Clear pads.

2. AUDIBLE SIGNAL ELIMINATION

If you wish to have the microwave oven operate with no audible signals, touch Help, the number **2** and Stop/Clear pads.

To cancel and restore the audible signal, touch Help, the number **2** and Start/Touch On pads.

3. AUTO START

If you wish to program your microwave oven to begin cooking automatically at a designated time of day, follow this procedure:

- Suppose you want to start cooking a stew on 50% for 20 minutes at 4:30. Before setting, check to make sure the clock is showing the correct time of day.
 1. Touch Help pad.
 2. Touch number **3** to select the Auto Start.
 3. To enter the start time at 4:30, touch numbers **4**, **3** and **0**.
 4. Touch Clock pad.
 5. To enter cooking program, touch Power Level, number **5** and then touch numbers **2**, **0**, **0**, and **0** for cooking time.
 6. Touch Start/Touch On pad. The chosen Auto Start time will appear in the display.

Note:

1. Auto Start can be used for manual cooking, Convec Broil, Convec Roast, Convec Bake, if clock is set.
2. If the microwave oven door is opened after programming Auto Start, it is necessary to touch the Start/Touch On pad for Auto Start time to appear in the readout so that the microwave oven will automatically begin programmed cooking at the chosen Auto Start time.
3. Be sure to choose foods that can be left in the microwave oven safely until the Auto Start time. Acorn or butternut squash are often a good choice.
4. If you wish to know the time of day, simply touch the



Other Convenient Features

Clock pad. As long as your finger is touching the Clock pad, the time of day will be displayed.

4. LANGUAGE SELECTION

The microwave oven comes set for English. To change, touch Help and the number **4** pads. Continue to touch the number **4** pad until your choice is selected. Then, touch Start/Touch On pad.

Touch number **4** once for English.

Touch number **4** twice for Spanish.

Touch number **4** three times for French.

5. WEIGHT AND TEMPERATURE SELECTIONS

The microwave oven comes set for U.S. Customary Unit-pounds. To change, touch Help and the number **5**. Continue to touch the number **5** until your choice is selected. Then, touch Start/Touch On pad.

Touch number **5** once for LB / °F.

Touch number **5** twice for KG / °C.

TIMER

- Suppose you want to time a 3 minute long distance phone call.

1. Touch Timer pad.
2. Enter time by touching the number pads **3|0|0**.
3. Touch Start/Touch On pad.

TOUCH ON

Touch On allows you to cook at 100% power by touching the Start/Touch On pad continuously. Touch On is ideal for melting cheese, bringing milk to just below boiling etc. The maximum cooking time is 3 minutes.

- Suppose you want to melt cheese on a piece of toast.
1. Continuously touch Start/Touch On pad. The cooking time will begin counting up.
 2. When the cheese is melted to desired degree, remove finger from Start/Touch On pad. Microwave oven stops immediately.

Note:

1. Note time it takes for frequently used foods and program that time in the future.
2. To use Touch On, touch pad within 1 minute after cooking, opening and closing the door or touching the Stop/Clear pad.
3. Touch On can only be used 3 times in a row. If more times are needed, open and close door or touch Stop/Clear.

HELP (DISPLAY INDICATOR)

Each setting of Defrost, Convec Broil, Convec Roast, Convec Bake, Sensor Cook and Sensor has a cooking hint. If you wish to check, touch HELP pad whenever HELP is lighted in the Interactive Display for these hints.

DEMONSTRATION MODE

To demonstrate, touch Clock, the number **0** and then touch Start/Touch On pad and hold for 3 seconds. DEMO ON will appear in the display. Cooking operations and specific special features can now be demonstrated with no power in the microwave oven. For example, touch Add-A-Minute pad and the display will show 1.00 and count down quickly to END.

To cancel, touch Clock, then the number **0** and Stop/Clear pads. If easier, unplug the microwave oven from the electrical outlet and replug.

Cleaning and Care

Disconnect the power cord before cleaning or leave the door open to inactivate the microwave oven during cleaning.

EXTERIOR

The outside surface is painted. Clean the outside with mild soap and water; rinse and dry with a soft cloth. Do not use any type of household or abrasive cleaner.

DOOR

Wipe the window on both sides with a damp cloth to remove any spills or splatters. Metal parts will be easier to maintain if wiped frequently with a damp cloth. Avoid the use of spray and other harsh cleaners as they may stain, streak or dull the door surface.

TOUCH CONTROL PANEL

Care should be taken in cleaning the touch control panel. If the control panel becomes soiled, open the microwave oven door before cleaning. Wipe the panel with a cloth dampened slightly with water only. Dry with a soft cloth. Do not scrub or use any sort of chemical cleaners. Close door and touch Stop/Clear pad.

INTERIOR - AFTER MICROWAVE COOKING

Cleaning is easy because little heat is generated to the interior surfaces; therefore, there is no baking and setting of spills or spattering. To clean the interior surfaces, wipe with a soft cloth and warm water. **DO NOT USE ABRASIVE OR HARSH CLEANERS OR SCOURING PADS.** For heavier soil, use baking soda or a mild soap; rinse thoroughly with hot water. **NEVER SPRAY OVEN CLEANERS DIRECTLY ONTO ANY PART OF THE MICROWAVE OVEN.**

INTERIOR- AFTER CONVECTION, MIX OR BROIL COOKING

Spatters may occur because of moisture and grease. Wash immediately after use with hot, soapy water. Rinse and polish dry. Harder to remove spatters may occur if oven is not thoroughly cleaned or if there is long time/high temperature cooking. If so, you may wish to purchase an oven cleaner pad with liquid cleaner within it—not a soap filled steel pad—for use on stainless or porcelain surfaces. Follow manufacturer's directions carefully and be especially cautious not to get any of the liquid cleaner in the perforations on the wall or ceiling or any door surfaces. Rinse thoroughly and polish dry.

After cleaning the interior thoroughly, residual grease may be removed from the interior ducts and heater by simply operating the oven on 450°F for 20 minutes without food. Ventilate the room if necessary.

WAVEGUIDE COVER

The waveguide cover is made from mica so requires special care. Keep the waveguide cover clean to assure good microwave oven performance. Carefully wipe with a damp cloth any food splatters from the surface of the cover immediately after they occur. Built-up splashes may overheat and cause smoke or possibly catch fire. Do not remove the waveguide cover.

ODOR REMOVAL

Occasionally, a cooking odor may remain in the microwave oven. To remove, combine 1 cup water, grated peel and juice of 1 lemon and several whole cloves in a 2-cup glass measuring cup. Boil for several minutes using 100% power. Allow to set in microwave oven until cool. Wipe interior with a soft cloth.

TURNTABLE/TURNTABLE SUPPORT

The turntable, turntable support and racks can be removed for easy cleaning. Wash them in mild, sudsy water; for stubborn stains use a mild cleanser and a non-abrasive scouring sponge. They are also dishwasher-proof. Use top rack of dishwasher for turntable support.

Foods with high acidity, such as tomatoes or lemons, will cause the porcelain enamel turntable to discolor. Do not cook highly acidic foods directly on the turntable; if spills occur, wipe up immediately.

The turntable motor shaft is not sealed, so excess water or spills should not be allowed to stand in this area.

Specifications

AC Line Voltage:	UL Rating - Single phase 120V, 60Hz, AC only CSA Rating - Single phase 117V, 60Hz, AC only
AC Power Required:	UL Rating - Microwave 1.55 kw, 13.0 amps. UL Rating - Convection 1.55 kw, 13.0 amps. CSA Rating - Microwave 1.5 kw, 13.0 amps. CSA Rating - Convection 1.5 kw, 13.0 amps.
Output Power:	
Microwave*	900 watts
Convection Heater	1450 watts
Frequency:	2450 MHz
Outside Dimensions:	24 ⁵ / ₈ "(W) x 14 ⁷ / ₈ "(H) x 19"(D)
Cavity Dimensions:	16 ¹ / ₈ "(W) x 9 ⁵ / ₈ "(H) x 16 ¹ / ₈ "(D)
Microwave Oven Capacity:**	1.5 Cu. Ft.
Cooking Uniformity:	Turntable system, diameter 15 ³ / ₈ "
Weight:	Approx. 60 lb

* The International Electrotechnical Commission's standardized method for measuring output wattage. This test method is widely recognized.

** Internal capacity is calculated by measuring maximum width, depth and height. Actual capacity for holding food is less.

In compliance with standards set by:

FCC – Federal Communications Commission Authorized.

DHHS – Complies with Department of Health and Human Services (DHHS) rule, CFR, Title 21, Chapter I, Subchapter J.

 – This symbol on the nameplate means the product is listed by Underwriters Laboratories, Inc. for use in USA or Canada.

NHW – Department of National Health and Welfare of Canada.

This microwave oven is listed by the Canadian Standard Association as certified.

Service Call Check

Please check the following before calling for service:

1. Place one cup of water in a glass measuring cup in the microwave oven and close the door securely.

Operate the microwave oven for one minute at HIGH 100%.

- A Does the microwave oven light come on?

YES _____ NO _____

- B Does the cooling fan work?
(Put your hand over the rear ventilating openings.)

YES _____ NO _____

- C Does the turntable rotate?
(It is normal for the turntable to turn in either direction.)

YES _____ NO _____

- D Is the water in the microwave oven warm?

YES _____ NO _____

2. Remove water from the oven and operate the oven for 5 minutes at Convec 450°F.

Operate the microwave oven for one minute at HIGH 100%.

- A Do CONV and COOK indicators light?

YES _____ NO _____

- B After the oven shuts off, is inside of the microwave oven hot?

YES _____ NO _____

If "NO" is the answer to any of the above questions, please check electrical outlet, fuse and/or circuit breaker. If they are functioning properly, CONTACT YOUR NEAREST AUTHORIZED SERVICER.

A microwave oven should never be serviced by a "do-it-yourself" repair person.

Note:

If time appearing in the display is counting down very rapidly, check Demonstration Mode on page 26 and cancel.

Microwave Oven Warranty

TWO YEAR FULL WARRANTY

Microwave Oven and all of their component parts and accessories, except as detailed below*, are warranted to be free from defective materials or workmanship in normal household use for a period of two (2) years from the date of original retail purchase from the date of original retail purchase. Viking Range, LLC, warrantor, agrees to repair or replace, at its option, any part which fails or is found to be defective during the warranty period.

* Glass (including light bulbs), painted and decorative items are warranted to be free from defective materials or workmanship for a period of ninety (90) days from the date of original retail purchase. ANY DEFECTS MUST BE REPORTED TO THE SELLING DEALER WITHIN NINETY (90) DAYS FROM DATE OF ORIGINAL RETAIL PURCHASE.

FIVE YEAR LIMITED WARRANTY

If the magnetron tube fails due to defective materials or workmanship in normal household use during the second through fifth year from the date of original retail purchase it will be repaired or replaced, free of charge for the part itself, with the owner paying all other costs, including labor.

This warranty extends to the original purchaser of the product warranted hereunder and to each transferee owner of the product during the term of the warranty.

This warranty shall apply to products purchased and located here in the United States and Canada. Products must be purchased in the country where service is requested. Warranty labor shall be performed by an authorized Viking Range, LLC service agency or representative. Warranty shall not apply to damage resulting from abuse, accident, natural disaster, loss of electrical power to the product for any reason, alteration, outdoor use, improper installation, improper operation or repair or service of the product by anyone other than an authorized Viking Range, LLC service agency or representative. This warranty does not apply to commercial usage. Warrantor is not responsible for consequential or incidental damage whether arising out of breach of warranty, breach of contract, or otherwise. Some jurisdictions do not allow the exclusion or limitation of incidental or consequential damages, so the above limitation or exclusion may not apply to you.

Owner shall be responsible for proper installation, providing normal care and maintenance, providing proof of purchase upon request, and making the appliance reasonably accessible for service. If the product or one of its component parts contains a defect or malfunction during the warranty period, after a reasonable number of attempts by the warrantor to remedy the defects or malfunctions, the owner is entitled to either a refund or replacement of the product or its component part or parts. Warrantor's liability on any claim of any kind, with respect to the goods or services covered hereunder, shall in no case exceed the price of the goods or service or part thereof which gives rise to the claim.

WARRANTY SERVICE: Under the terms of this warranty, service must be performed by a factory authorized Viking Range, LLC service agent or representative. Service will be provided during normal business hours, and labor performed at overtime or premium rates shall not be covered by this warranty. To obtain warranty service, contact the dealer from whom the product was purchased, an authorized Viking Range, LLC service agent, or Viking Range, LLC. Provide model and serial number and date of original purchase. For the name of your nearest authorized Viking Range, LLC service agency, call the dealer from whom the product was purchased or Viking Range, LLC.

IMPORTANT: Retain proof of original purchase to establish warranty period.

The return of the Owner Registration Card is not a condition of warranty coverage. You should, however, return the Owner Registration Card so that Viking Range, LLC can contact you should any question or safety arise which could affect you.

Any implied warranties of merchantability and fitness applicable to the above described elements or parts are limited in duration to the period of coverage of the applicable express written limited warranties set forth above. Some jurisdictions do not allow limitations on how long an implied warranty lasts, so the above limitation may not apply to you. This warranty gives you specific legal rights, and you may also have other rights which may vary from jurisdiction to jurisdiction.

Viking Range, LLC
111 Front Street
Greenwood, Mississippi (MS) 38930 USA (888) 845-4641

Specifications subject to change without notice
For more product information, call 1-888-845-4641
or visit our web site at vikingrange.com





Viking Range, LLC
111 Front Street
Greenwood, Mississippi 38930 USA
(662) 455-1200

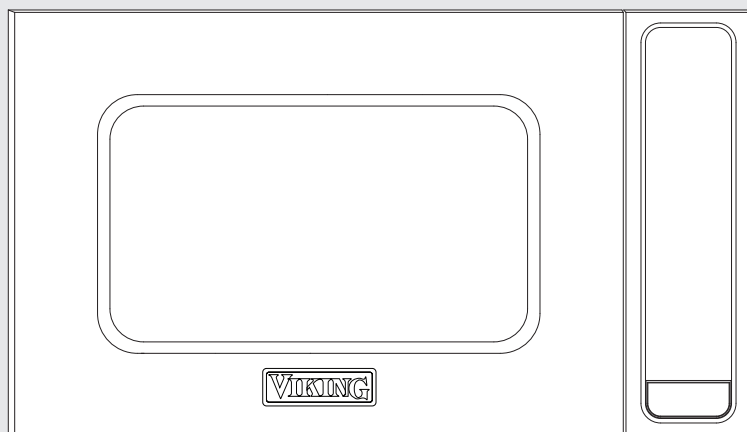
For product information
call 1-888-845-4641
or visit our web site at vikingrange.com

E





Installation / Manuel d'utilisation et d'entretien



Four à micro-onde
de convection
VMOC506



Informations de dépannage

Si du dépannage est requis :

1. Appeler votre une société de dépannage agréée.
2. Préparer les informations suivantes à l'avance :
 - a. Numéro de modèle
 - b. Numéro de série
 - c. Date d'achat
 - d. Nom du revendeur où a eu lieu l'achat
3. Décrire clairement le problème rencontré.

En cas d'impossibilité d'obtention du nom d'une société de dépannage, ou si les ennuis continuent, contacter directement Viking Range, LLC au (662) 451-4133 ou écrire à :

VIKING RANGE, LLC
PREFERRED SERVICE
111 Front Street
Greenwood, Mississippi (MS) 38930 USA

Enregistrer les informations indiquées ci-dessous. Elles seront nécessaires si vous avez besoin d'un dépannage. Les numéros de modèle et de série de votre micro-ondes sont situés sur le côté gauche de sa cavité sur une étiquette signalétique.

Numéro de modèle _____ Numéro de série _____

Date d'achat _____ Date d'installation _____

Nom du revendeur _____

Adresse _____

Si le dépannage demande l'installation de pièces, n'utiliser que des pièces autorisées pour conserver la protection de la garantie.

VEUILLEZ CONSERVER CE MANUEL COMME RÉFÉRENCE ULTÉRIEURE

Table des matières

2 INFORMATIONS DE DÉPANNAGE	19-21 CONVECTION FONCTIONNEMENT AUTOMATIQUE
3 TABLE DES MATIÈRES	19 Convec Broil
3 PRÉCAUTIONS POUR ÉVITER LE RISQUE D'UNE EXPOSITION AUX MICRO-ONDES	19 Tableau Convec Broil
4 IMPORTANTES CONSIGNES DE SÉCURITÉ	20 Convec Roast
5 INSTRUCTIONS DE DÉBALLAGE	20 Tableau Convec Roast
6 INSTRUCTIONS DE MISE À LA TERRE	21 Convec Bake
7-10 RENSEIGNEMENTS UTILES	21 Tableau Convec Bake
7 Le four à micro-ondes	22-24 CUISSON PAR CONVECTION/ COMBINAISON AUTOMATIQUE
7 À propos des enfants et du four à micro-ondes	22-23 Cuisson par convection
7 À propos de la sécurité	22 Cuire par convection
8 À propos de la cuisson aux micro-ondes	22 Préchauffage et cuisson par convection
8 Préparation de divers aliments	22 Broil (Gril)
9-10 Ustensiles et couvercles	23 Slow Cook (Cuisson lente)
11-12 NOMENCLATURE	23-24 Cuisson avec combinaison automatique
11 Pièces du four à micro-ondes	23 Pour cuire avec combinaison automatique
12 Tableau de commande	23 Pour préchauffer et cuire avec combinaison automatique
13 AVANT L'USAGE	23-24 Conseils utiles pour cuisson par convection et combinaison automatique
13 Réglage de l'horloge	25-26 AUTRES PARTICULARITÉS PRATIQUES
13 Stop/Clear (Arrêt/Annulation)	25 Séquence de cuisson multiple
14 FONCTIONNEMENT MANUEL	25 Réglage des temps de cuisson
14 Cuisson par micro-ondes	25 Add-A-Minute (Ajout d'une minute de cuisson)
14 Réglage du niveau de puissance	25-26 Help (Aide [Control Pad])
14 Décongélation manuelle	26 Timer (Minuterie)
15-18 MICRO-ONDES PARTICULARITÉS	26 Demonstration Mode
15 Defrost (Décongélation)	26 Touch On (Touche de puissance maximale)
15 Tableau Defrost	26 Aide (indication à l'affichage)
16 Sensor Cooking (Cuisson au capteur)	27 NETTOYAGE ET ENTRETIEN
16 Reheat (Réchauffage)	28 FICHE TECHNIQUE
16 Popcorn	29 APPEL DE SERVICE
17 Tableau Sensor	30 GARANTIE DU FOUR MICRO-ONDES
18 Sensor Cook (Cuisson au capteur)	
18 Tableau Sensor Cook	

PRÉCAUTIONS POUR ÉVITER LE RISQUE D'UNE EXPOSITION AUX MICRO-ONDES

- Ne pas essayer de faire fonctionner ce four lorsque que la porte est ouverte, car le fonctionnement avec la porte ouverte pourrait entraîner une exposition dangereuse aux micro-ondes. Il est important que le système de fermeture de sûreté ne soit pas désamorcé ou modifié.
- Ne placer aucun objet entre le cadre et la porte du four et ne pas laisser de saleté ou de traces de produits de nettoyage s'accumuler sur les surfaces d'étanchéité.
- Ne pas utiliser le four s'il est endommagé. Il est particulièrement important que la porte ferme correctement et que les éléments suivants ne présentent pas de défauts : (1) porte (gauchie), (2) charnières et verrous (brisés ou desserrés), (3) joints et surfaces d'étanchéité de la porte.
- Le four ne doit être réglé ou réparé que par du personnel d'entretien qualifié.

IMPORTANTES CONSIGNES DE SÉCURITÉ

Certaines précautions de sécurité devraient toujours être prises lorsqu'on se sert d'appareils électriques :

AVERTISSEMENT — Pour réduire les risques de brûlures, de chocs électriques, de feu, de blessures ou d'exposition aux micro-ondes :

1. Lire toutes les instructions avant de se servir de l'appareil.
2. Lire et suivre les PRÉCAUTIONS POUR ÉVITER LE RISQUE D'UNE EXPOSITION AUX MICRO-ONDES à la page 3.
3. Cet appareil doit être mis à la terre. Brancher seulement à une prise à trois broches. Se reporter aux «INSTRUCTIONS DE MISE À LA TERRE», page 6.
4. Installer ou placer l'appareil conformément aux instructions d'installation fournies.
5. Certains produits comme des oeufs entiers et des contenants scellés — par exemple des bocaux en verre fermés — peuvent s'exploser et ne devraient pas être utilisés dans ce four.
6. N'utiliser cet appareil qu'aux fins décrites dans ce manuel. Ne pas utiliser de produits corrosifs dans le four à micro-ondes. Ce four a été conçu pour la cuisson et le réchauffage des aliments, non pour un usage industriel ou des travaux en laboratoire.
7. Comme pour tout appareil, exercer une surveillance étroite quand des enfants l'utilisent.
8. Ne pas faire fonctionner l'appareil si le cordon ou la fiche sont endommagés, si l'appareil ne fonctionne pas bien ou s'il a été endommagé ou est tombé.
9. Cet appareil ne doit être réparé que par du personnel de service autorisé. Communiquer avec le service de réparations autorisé le plus proche pour un examen, une réparation ou un réglage.
10. Ne couvrir ou bloquer aucune ouverture de l'appareil.
11. Ne pas laisser ni utiliser cet appareil à l'extérieur. Ne pas utiliser ce produit auprès de l'eau — comme par exemple près d'un évier de cuisine, dans un sous-sol humide, près d'une piscine ou dans d'autres endroits semblables.
12. Ne pas immerger le cordon ou la fiche dans l'eau.
13. Garder le cordon loin des surfaces chauffées.
14. Ne pas laisser pendre le cordon de la table ou du comptoir.

15. Voir les instructions pour le nettoyage de la surface de la porte à la page 27.

16. Pour réduire les risques de feu à l'intérieur du four :
 - a. Ne pas trop faire cuire les aliments. Rester prudemment près du four lorsqu'on utilise du papier, du plastique ou tout autre matériel combustible pour faciliter la cuisson.
 - b. Retirer les attaches de métal des sacs de papier ou de plastique avant de mettre les sacs au four.
 - c. Si les matériaux à l'intérieur du four prennent feu, garder la porte du four fermée, arrêter le four et débrancher la fiche ou couper l'électricité au panneau d'entrée.**
 - d. Ne pas utiliser la cavité comme espace de rangement. Ne laisser ni papier, ni ustensiles, ni aliments dans la cavité lorsque l'appareil n'est pas utilisé.
17. Des liquides tels que l'eau, le café ou le thé peuvent chauffer au-delà du point d'ébullition sans qu'aucun bouillonnement n'apparaisse. Ainsi, quand le contenant est retiré du four, il peut ne pas y avoir d'ébullition ou de bouillonnement apparents. IL PEUT EN RÉSULTER UN DÉBORDEMENT DES LIQUIDES TRÈS CHAUDS LORSQU'UNE CUILLER OU UN AUTRE USTENSILE EST INSÉRÉ DANS LE LIQUIDE.

Pour réduire le risque de blessures personnelles:

- a. Ne pas trop chauffer le liquide.
 - b. Remuer le liquide et avant de le chauffer et à mi-cuisson.
 - c. Ne pas utiliser de contenants à bords droits et à goulot mince. Utiliser un bocal à large goulot.
 - d. Après le chauffage, laisser reposer le contenant dans le four à micro-ondes pour au moins 20 secondes avant de le retirer.
 - e. Lors d'insérer une cuiller ou un autre ustensile dans le contenant, le faire très soigneusement.
18. Si le four est installé encastré, suivre ces instructions :
 - a. Ne pas monter ce four au-dessus d'un évier.
 - b. Ne rien poser au dessus du four quand il est en fonctionnement.
 19. Si la lumière du four ne s'allume pas, communiquer avec un BUREAU DE SERVICE AUTORISÉ.

CONSERVER CE MODE D'EMPLOI

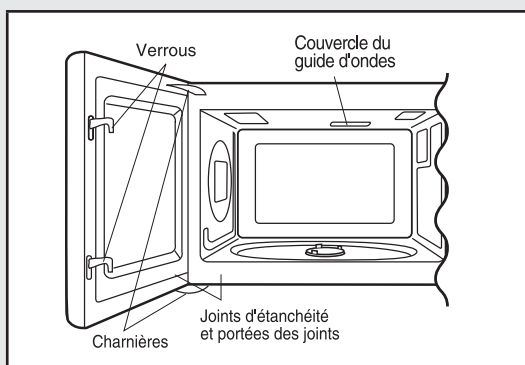


Instructions de déballage

DÉBALLAGE ET INSPECTION DU FOUR

Retirer tous les matériaux d'emballage qui se trouvent à l'intérieur de la cavité du four; cependant, **NE PAS ENLEVER LE COUVERCLE DU GUIDE D'ONDES** qui se trouve sur la paroi supérieure de la cavité du four. Lire les pièces jointes et **CONSERVER** le manuel d'utilisation.

Vérifier que le four n'a subi aucun dommage, en particulier que la porte n'est ni tordue ni décentrée, que les joints et les surfaces d'étanchéité ne sont pas endommagés, que les charnières et les verrous ne sont pas brisés ou desserrés et que la porte ou l'intérieur de la cavité ne porte aucune trace de coups. Si on constate quelque dommage que ce soit, ne pas faire fonctionner le four et communiquer avec le détaillant ou un **BUREAU DE SERVICE AUTORISÉ**.

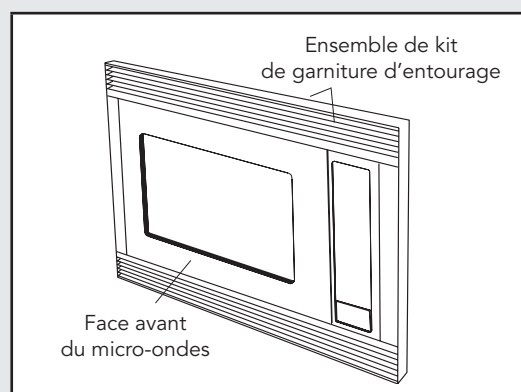


CHOIX D'UN EMPLACEMENT POUR LE FOUR

Un four étant un appareil d'usage fréquent, il est conseillé de choisir un emplacement commode. Dans la mesure du possible, prévoir un plan de travail à côté du four. Il faut prévoir un espace d'au moins 5 cm de chaque côté, au-dessus et à l'arrière du four pour la circulation d'air.

Choix de l'emplacement de votre four micro-ondes encastré

Votre four peut être installé dans une armoire, contre un mur ou au dessus d'un four électrique mural ou d'un tiroir chauffe-plat.



Instructions de mise à la terre

Cet appareil doit être mis à la terre. Ce four est équipé d'un cordon d'alimentation avec fil de mise à la terre, et d'une fiche de mise à la terre. Il faut le brancher dans une prise murale qui a été installée correctement et mise à la terre selon le Code national de l'électricité et les codes et décrets locaux. En cas de court-circuit électrique, la mise à la terre réduit les risques de choc électrique en permettant au courant de s'échapper par le fil de mise à la terre.

AVERTISSEMENT – Un mauvais usage de la prise de terre peut causer des chocs électriques.

INSTALLATION ÉLECTRIQUE

La tension d'alimentation est 120 volts, 60 Hz, CA seulement, 15 A ou plus et doit être protégée. Il est recommandé d'alimenter le four par un circuit séparé.

Le four est équipé d'une fiche de terre à trois broches. Il faut la brancher dans une prise murale correctement installée et mise à la terre. Si vous ne possédez que des prises à deux broches, demandez à un électricien de métier d'installer une prise murale qui convienne.

Un adaptateur à trois broches peut être utilisé temporairement si les codes électriques locaux le permettent. Suivre les instructions fournies sur l'emballage.

Le cordon d'alimentation est court pour éviter qu'on ne s'y empêtre ou qu'on tombe.

RALLONGE

Si une rallonge est nécessaire, utiliser une rallonge à trois fils munie d'une fiche de terre à trois broches et d'une prise à trois fentes qui accepte la fiche du four à micro-ondes. La puissance nominale de la rallonge doit être de 115-120 volts CA, 15 ampères ou plus.

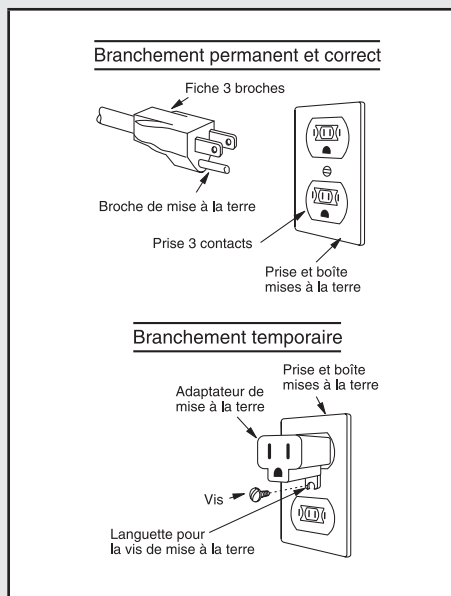
Faire attention de ne pas laisser dépasser le cordon du comptoir ou de la table, pour éviter que des enfants ne tirent dessus ou que quelqu'un ne s'y empêtre et tombe.

Remarques :

1. Pour toute question à propos de l'installation électrique ou de la mise à la terre, consulter un électricien de métier ou un réparateur qualifié.
2. Ni Viking Range, LLC ni le détaillant ne peuvent être tenus responsables des dommages au four ou des blessures causés par une installation qui ne répond pas aux normes.

INTERFÉRENCE

Si le four à micro-ondes provoque de l'interférence avec la radio ou la télévision, vérifier qu'il est branché sur un circuit indépendant, en éloigner la radio ou la télévision le plus possible et vérifier la position et le signal de l'antenne de réception.



Renseignements utiles

LE FOUR À MICRO-ONDES

Ce mode d'emploi est précieux; le lire attentivement et le conserver pour s'y reporter, au besoin.

Un bon livre de cuisine aux micro-ondes est très utile. Il présente les principes, les techniques, des conseils et des recettes de cuisine aux micro-ondes.

Ne JAMAIS se servir du four sans le plateau tournant et le support. Ne pas installer le plateau tournant à l'envers pour faire entrer dans le four un plat de grandes dimensions. Le plateau tourne dans les deux sens.

S'assurer à ce qu'il y ait TOUJOURS des aliments dans le four lorsqu'il est allumé, de sorte qu'ils absorbent l'énergie produite.

Quand on utilise le four à des niveaux de puissance inférieurs à 100 %, on peut entendre la mise en marche et l'arrêt du magnétron. Il est normal que l'extérieur du four soit chaud au toucher pendant la cuisson ou le réchauffement.

La condensation est un phénomène normal pendant la cuisson au four à micro-ondes. L'humidité ambiante et la teneur en eau des aliments déterminent le degré de condensation à l'intérieur du four.

En règle générale, les aliments couverts produisent moins de condensation que les aliments cuits à découvert. Veiller à ce que les événements à l'arrière du four soi-ent toujours dégagés.

Ce four est conçu seulement pour la préparation des aliments. Il ne doit pas être utilisé pour sécher des vêtements ou des journaux.

La puissance de ce four est de 900 watts calculée par la méthode d'essai IEC. Vérifier la cuisson des aliments une minute ou deux avant la fin de la période minimum de cuisson indiquée sur les recettes et les emballages et, s'il y a lieu, augmenter le temps de cuisson.

À PROPOS DES ENFANTS ET DU FOUR À MICRO-ONDES

Les enfants de moins de 7 ans ne devraient utiliser le four à micro-ondes que sous la surveillance étroite d'un adulte. Les enfants de 7 à 12 ans devraient utiliser l'appareil sous la surveillance d'un adulte se trouvant dans la même pièce qu'eux.

L'enfant doit être capable d'atteindre facilement le four; sinon, le faire monter sur un tabouret robuste et stable.

Il ne faut jamais s'appuyer ou s'accrocher à la porte du four à micro-ondes. Il faut enseigner les mesures de sécurité aux enfants : employer des gants isolants, enlever les couvercles avec précaution, faire très attention aux contenants d'aliments croustillants qui peuvent devenir très chauds.

Ne pas présumer qu'un enfant qui connaît bien une fonction de l'appareil les connaît toutes.

Les enfants doivent savoir qu'un four à micro-ondes n'est pas un jouet. Voir la page 25 pour obtenir des renseignements sur le verrouillage de sécurité.

À PROPOS DE LA SÉCURITÉ

- On recommande les températures de cuisson suivantes. Pour vérifier si les aliments sont cuits à point, insérer un thermomètre à viande dans un endroit épais, à l'écart de la graisse et des os. Ne JAMAIS laisser le thermomètre dans les aliments qui cuisent, sauf s'il est approuvé pour emploi aux micro-ondes.

TEMP	ALIMENTS
160°F (71°C)	... pour le porc, la viande hachée, le blanc de poulet sans os, le poisson, les fruits de mer, les œufs frais et les aliments préparés surgelés.
165°F (74°C)	... pour les restes de table, les aliments réfrigérés prêts-à-réchauffer, et les aliments frais d'un traiteur ou l'équivalent.
170°F (77°C)	... les blancs de volaille.
180°F (82°C)	... la viande brune de volaille.

- TOUJOURS utiliser des gants isolants pour éviter des brûlures lorsque l'on se sert d'ustensiles en contact avec des aliments chauds. La chaleur transférée des aliments aux ustensiles peut provoquer des brûlures.
- Diriger la vapeur loin du visage et des mains afin d'éviter des brûlures. Soulever doucement la partie la plus éloignée des couvercles et des pellicules et ouvrir lentement les sacs de maïs soufflé ou de cuisson en les tenant loin du visage.
- Rester près du four quand il fonctionne et vérifier fréquemment la cuisson afin d'éviter de trop cuire les aliments.
- Ne JAMAIS entreposer des livres de cuisine ou autres objets dans la cavité du four.
- Choisir, entreposer et manipuler la nourriture de manière à préserver sa qualité et à minimiser la prolifération de bactéries alimentaires.
- Garder le couvercle du guide d'ondes propre. Les résidus d'aliments peuvent causer des étincelles ou s'enflammer.
- Retirer les aliments du four en prenant soin de ne pas toucher le système de fermeture de sûreté de la porte avec des ustensiles, ses vêtements ou les accessoires.

Renseignements utiles

À PROPOS DE LA CUISSON AUX MICRO-ONDES

- Disposer les aliments avec soin. Placer la partie la plus épaisse des aliments vers l'extérieur du plat.
- Vérifier le temps de cuisson. Cuire les aliments pendant la plus courte période indiquée et prolonger la cuisson au besoin. Des aliments trop cuits peuvent dégager de la fumée ou prendre feu.
- Recouvrir les aliments pendant la cuisson. Selon la recette ou le livre de cuisine, utiliser un essuie-tout, du papier ciré, un film plastique allant au micro-ondes ou un couvercle. Couvrir les aliments empêche les éclaboussures et leur permet de cuire de manière uniforme.
- Protéger les parties de viande ou de volaille très minces par des petits écrans en papier d'aluminium pour éviter qu'ils ne cuisent trop vite par rapport aux parties plus épaisses.
- Si possible, remuer les aliments de l'extérieur du plat vers le centre une ou deux fois pendant la cuisson.

- Retourner les aliments comme du poulet et des galettes de viande une fois au cours de la cuisson afin d'accélérer le processus. Il faut retourner les grosses pièces comme les rôtis au moins une fois.
- Au milieu de la cuisson, déplacer les aliments comme les boulettes de viande, de l'intérieur du plat vers l'extérieur, et du haut vers le bas.
- Prévoir du temps de repos. Retirer les aliments du four et, si possible, les re-muer. Couvrir les aliments pendant ce temps pour leur permettre de finir de cuire.
- Vérifier la cuisson. Rechercher les signes qui indiquent que les aliments sont cuits à point.

Par exemple :

- La vapeur s'élève de toute la surface des aliments, pas seulement des bords.
- Le fond du plat est très chaud au toucher.
- Les cuisses de poulet se détachent facilement.
- La viande et la volaille ne présentent plus de parties rosées.
- Le poisson est opaque et se défait facilement à la fourchette.

PRÉPARATION DE DIVERS ALIMENTS

ALIMENT	A FAIRE	A NE PAS FAIRE
Œufs, saucisses, noix, graines, fruits et légumes	<ul style="list-style-type: none"> • Percer les jaunes pour éviter qu'ils n'éclatent pendant la cuisson. • Piquer la pelure des pommes de terre, des pommes, des courges ainsi que les saucisses afin de permettre à la vapeur de s'échapper. 	<ul style="list-style-type: none"> • Cuire les œufs dans leur coquille. • Réchauffer des œufs entiers. • Faire sécher les noix ou les graines dans leur écale.
Maïs soufflé	<ul style="list-style-type: none"> • Utiliser seulement du maïs soufflé pour micro-ondes. • Attendre que seuls quelques grains isolés éclatent toutes les 1 ou 2 secondes, ou appuyer sur la touche POPCORN. 	<ul style="list-style-type: none"> • Faire éclater des grains de maïs dans des sacs de papier brun ou dans un bol de verre. • Dépassez le temps indiqué sur l'emballage.
Aliments pour bébés	<ul style="list-style-type: none"> • Transférer la nourriture dans de petits plats et faire réchauffer doucement, en remuant souvent. Vérifier la température des aliments avant de servir. • Mettre la tétine sur le biberon après l'avoir réchauffé et bien brassé celui-ci ce dernier faire le «test du poignet» avant de donner le biberon à bébé. 	<ul style="list-style-type: none"> • Faire chauffer les aliments commerciaux pour bébés dans leurs pots. • Faire chauffer des biberons jetables. • Faire chauffer les biberons avec la tétine.
Généralités	<ul style="list-style-type: none"> • Après avoir réchauffé des aliments contenant une garniture, les couper afin de laisser s'échapper la vapeur et d'éviter des brûlures. • Bien mélanger les liquides avant et après la cuisson pour que la chaleur soit uniforme. • Faire cuire les aliments liquides et les céréales dans un bol profond afin d'éviter qu'ils ne débordent. 	<ul style="list-style-type: none"> • Réchauffer ou faire cuire des aliments dans des contenants hermétiques ou fermés en verre. • Préparer des conserves au four à micro-ondes, car des bactéries dangereuses pourraient ne pas être tuées. • Utiliser le four à micro-ondes pour faire de la friture. • Faire sécher du bois, des courges, des herbes ou du papier.

Renseignements utiles

USTENSILES ET COUVERCLES

Il n'est pas nécessaire d'acheter une nouvelle batterie de cuisine. Beaucoup de vos récipients peuvent très bien servir à la cuisson dans votre nouveau four micro-ondes à convection. Le tableau ci-dessous vous aidera à choisir les ustensiles et couvercles convenant le mieux à chaque mode de cuisson..

USTENSILES ET COUVERCLES	MICRO-ONDES SEULEMENT	GRILLADE PAR CONV., CUISSON LENTE	MODE COMBINÉ HAUTE TEMP./ RÔTIR MODE COMBINÉ BASSE TEMP./CUISSON AU FOUR
Feuille d'aluminium	OUI. Des petites feuilles d'aluminium lisses peuvent être placées sur une préparation pour protéger ses surfaces contre une cuisson ou une décongélation trop rapide. Maintenir les feuilles à au moins un pouce d'écart des parois du four.	OUI. Comme protection.	OUI. Comme protection.
Récipients en aluminium	OUI. À condition de ne remplir qu'aux 3/4. Maintenir à un pouce d'écart des parois du four et ne pas recouvrir de feuille d'aluminium	OUI. Griller sans couvercle.	OUI. À condition de ne remplir qu'aux 3/4. Maintenir à un pouce d'écart des parois du four et ne pas recouvrir de feuille d'aluminium.
Plat à gratin	OUI. Ne pas dépasser la durée de préchauffage recommandée. Suivre le mode d'emploi du fabricant.	NON	NON
Vitrocéramique (Pyroceram®)	OUI. Excellent.	OUI. Excellent.	OUI. Excellent.
Verre calorifuge	OUI. Excellent.	OUI. Excellent.	OUI. Excellent.
Verre non-calorifuge	NON	NON	NON
Couvercles en verre	OUI	OUI. Griller sans couvercle.	OUI
Couvercles en métal	NON	OUI. Griller sans couvercle.	NON
Casseroles en métal	NON	OUI	OUI. Ne pas employer de couvercles métalliques.
Métaux assortis : plats à rebords métalliques, etc. Ligatures métalliques	NON	NON	NON
Poches de cuisson au four	OUI. Conviennent aux grosses pièces de viande ou aux préparations à attendre. NE PAS utiliser de ligatures métalliques.	OUI. Grillades, non.	OUI. NE PAS utiliser de ligatures métalliques.
Assiettes en carton	OUI. Pour ré chauffer.	NON	NON
Serviettes en papier	OUI. Comme couvercles au réchauffage et à la cuisson. Ne pas employer de produits recyclés pouvant contenir des fibres métalliques.	NON	NON

Renseignements utiles

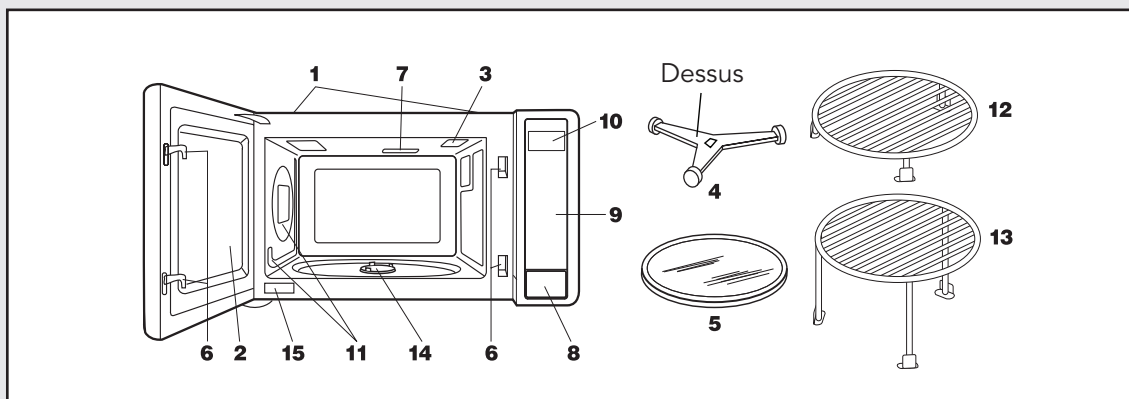
USTENSILES ET COUVERCLES	MICRO-ONDES SEULEMENT	GRILLADE PAR CONV., CUISSON LENTE	MODE COMBINÉ HAUTE TEMP./ RÔTIR MODE COMBINÉ BASSE TEMP./CUISSON AU FOUR
Papier allant au four	OUI	OUI. Pour températures jusqu'à 400° F. Ne pas employer pour griller.	OUI. Pour températures jusqu'à 400° F.
Récipients en plastique bons pour micro-ondes	OUI. Pour réchauffer et décongeler. Suivre le mode d'emploi du fabricant.	NON	NON
Plastique, Thermoset®	OUI	OUI. Résiste à la chaleur jusqu'à 425° F. Ne pas employer pour griller.	OUI
Film plastique	OUI. Choisir des marques spécialement indiquées pour micro-ondes. NE PAS placer le film en contact avec les aliments. Percer pour laisser s'échapper la vapeur.	NON	NON
Céramiques, grès, porcelaine	OUI. Voir les recommandations du fabricant pour usage micro-ondes.	OUI	OUI. Doivent être bons pour micro-ondes et cuisson au four.
Polystyrène	OUI. Pour réchauffer.	NON	NON
Papier ciré	OUI. Recommandé comme couvercle à la cuisson et au réchauffage.	NON	NON
Osier, bois, paille	OUI. Convient aux cuissons très courtes. Ne pas employer avec des plats reès gras ou très sucrés. Risque de se calciner.	NON	NON

VÉRIFICATION DE RÉCIPIENTS - Pour vérifier qu'un récipient est bon pour micro-ondes, placez-le vide dans le four et réglez sur HIGH pendant 30 secondes. Si le plat chauffe à l'extrême, NE PAS l'utiliser pour la cuisson micro-ondes.

ACCESSOIRES - De nombreux accessoires micro-ondes sont proposés sur le marché. Considérez vos achats pour qu'ils correspondent à vos besoins. Un thermomètre adapté aux micro-ondes vous aidera à déterminer le degré voulu de cuisson aux micro-ondes seulement et garantira que les aliments ont été cuits aux températures de sécurité recommandées. Viking Range, LLC n'est pas responsable de dommages causés au four par l'introduction d'accessoires.

Nomenclature

PIÈCES DU FOUR À MICRO-ONDES



- | | |
|---|---|
| 1 Orifices de ventilation (arrière) | 8 Bouton d'ouverture de la porte Appuyer sur ce bouton pour ouvrir la porte. |
| 2 Porte du four avec hublot | 9 Tableau de commande à touches |
| 3 Éclairage de four
Il s'allume quand la porte est ouverte ou quand le four est en fonctionnement. | 10 Lampe du four
Elle s'allume lorsque la porte est ouverte ou que le four est en service. |
| 4 Support de plateau tournant | 11 Ouvertures pour air de convection |
| 5 Plateau tournant amovible
Il tourne dans les deux sens alternativement. | 12 Grille basse amovible (trépied de cuisson) |
| 6 Verrous de la porte
Le four ne peut pas fonctionner si la porte n'est pas parfaitement fermée. | 13 Grille haute amovible (trépied de grill) |
| 7 Couvercle du guide d'ondes : NE PAS ENLEVER. | 14 Arbre d'entraînement du plateau tournant |
| | 15 Plaque de numéro de serie |

ACCESSOIRES

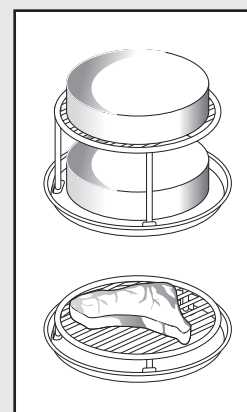
Les accessoires qui suivent sont conçus spécialement pour une utilisation dans le four uniquement en cuisson par convection, combinaison ou grill. NE PAS LES UTILISER EN CUISSON MICRO-ONDES UNIQUEMENT. Ne pas remplacer ces supports conçus spécialement par d'autres semblant similaires.

Support de cuisson haut, pour convection et mélange faible.

- Ce support est placé sur la plaque tournante pour des cuissons à deux niveaux, comme les gâteaux à étages, les muffins, etc.

Trépied support de cuisson bas pour convection, four et combinaison forte.

- Ce trépied est placé sur le plateau tournant et sert à rôtir ou cuire en laissant les jus s'écouler des aliments.

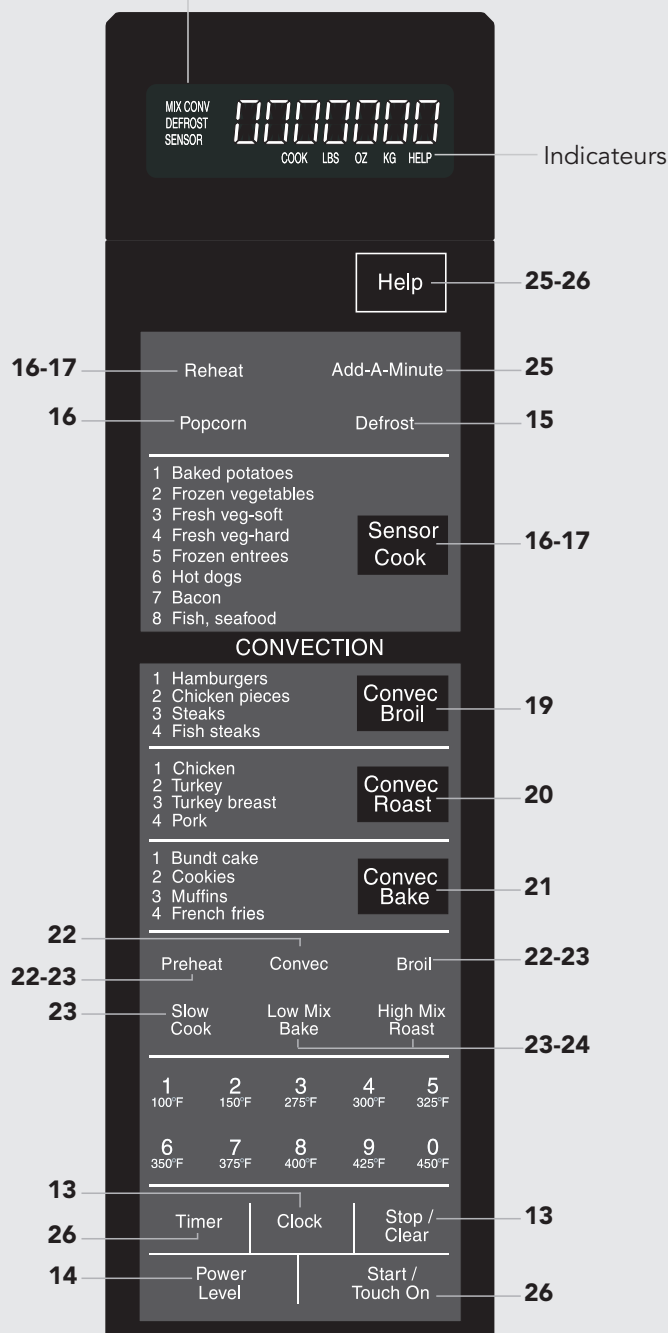


Nomenclature

TABLEAU DE COMMANDE

Affichage du panneau de contrôle
Des mots apparaîtront dans l'affichage pour indiquer les caractéristiques et les instructions de cuisson.

Commandes du produit



Les chiffres en marge de l'illustration du tableau de commande renvoient aux pages où sont décrits les caractéristiques et les renseignements concernant le mode d'emploi.

Avant l'usage

- Avant d'utiliser ce four, prendre la peine de lire intégralement ce mode d'emploi.
- Avant d'utiliser le four, procéder ainsi :
 1. Brancher la fiche du cordon d'alimentation. Fermer la porte. La phrase WELCOME PRESS CLEAR AND PRESS CLOCK s'affiche.
 2. Appuyer sur la touche Stop/Clear. L'indication : s'affiche.
 3. Régler l'horloge.

RÉGLAGE DE L'HORLOGE

1. Appuyer sur la touche Clock.
2. Entrer l'heure correcte de la journée en appuyant sur les touches numériques.
Appuyer à nouveau sur la touche Clock.

Cette horloge est conçue selon un cycle de 12 heures. En cas d'entrée d'une heure non valable, l'indication **ERRR** s'affiche. Appuyer sur la touche Stop/Clear et entrer l'heure correcte.

- Si l'alimentation électrique du four à micro-ondes est coupée, l'indication WELCOME PRESS CLEAR AND PRESS CLOCK s'affiche et clignote dès que l'alimentation est rétablie. Si cela se produit durant la cuisson, le programme de cuisson et l'heure de la journée seront effacés. Appuyer sur la touche Stop/Clear et remettre l'horloge à l'heure.

STOP/CLEAR (ARRÊT/ANNULATION)

Utiliser la touche Stop/Clear pour :

1. Effacer une erreur durant la programmation.
2. Annuler le fonctionnement de la minuterie.
3. Arrêter le four temporairement durant la cuisson.
4. Afficher l'heure actuelle.
5. Annuler un programme durant la cuisson (toucher deux fois).

Fonctionnement manuel

CUISSON PAR MICRO-ONDES

Le four peut être programmé pour 99 minutes 99 secondes (99.99). Indiquer les secondes après les minutes même si le nombre de secondes est égal à zéro.

- Supposons que l'on veuille cuire pendant 5 minutes à 100 %.
1. Entrer la durée de cuisson en composant **5|0|0** aux touches numériques.
 2. Appuyer sur la touche Start/Touch On.

RÉGLAGE DU NIVEAU DE PUISSANCE

Onze niveaux de puissance sont prévus. Plus le niveau de puissance est faible, plus le temps de cuisson est long, ce qui est conseillé pour les aliments tels que le fromage, le lait ou les viandes qui exigent une cuisson lente. Consulter un livre de cuisine ou de recettes pour chaque cas particulier.

TOUCHER UNE FOIS SUR POWER LEVEL PUIS TOUCHER	POURCENTAGE APPROXIMATIF DE LA PUISSANCE	NOMS DONNÉS AUX NIVEAUX DE PUISSANCE
Power Level	100%	Élevé
9	90%	
8	80%	
7	70%	Mi-élevé
6	60%	
5	50%	Moyen
4	40%	
3	30%	Mi-faible/ Décongélation
2	20%	
1	10%	Faible
0	0%	

- Supposons que l'on veuille décongeler des aliments pendant 5 minutes à 30 %.

1. Entrer la durée de décongélation en composant **5|0|0** aux touches numériques.
2. Toucher la sélection de niveau de puissance et entrer le chiffre **3**.
3. Appuyer sur la touche Start/Touch On.

Il est possible de programmer jusqu'à 4 séquences de cuisson automatique. Suivez les instructions de la page 25. Retenir que le niveau de puissance doit être entré en premier en programmant des séquences multiples.

DÉCONGÉLATION MANUELLE

Si les aliments que vous voulez décongeler ne sont pas listés dans les tableaux de décongélation, ou sont au-dessus ou en-dessous des limites de leur colonne de quantité, vous devrez décongeler manuellement.

Vous pouvez décongeler n'importe quel aliment congelé, cru ou précuit, en utilisant la puissance au niveau 3. Suivre exactement la procédure en 3 étapes donnée avec le Temps de cuisson. Estimer le temps de décongélation et appuyer sur **3** pour la sélection du niveau de puissance.

Pour les aliments crus ou cuits, compter en moyenne 5 minutes par livre. Par exemple, choisir 5 minutes pour décongeler une livre de sauce à spaghetti.

Arrêter le four périodiquement pour retirer ou séparer les portions déjà décongelées. Si les aliments ne sont pas entièrement décongelés à l'expiration du temps précisé, utiliser le niveau de puissance 3 pendant des périodes de une minute pour obtenir la décongélation complète.

Si les aliments congelés sont dans un récipient en matière plastique, ne les décongeler que pendant le temps nécessaire pour les retirer du récipient, puis les déposer dans un plat convenant aux micro-ondes.

Micro-ondes particularités

DEFROST (DÉCONGÉLATION)

Le mode « Defrost » décongèle automatiquement les aliments montrés dans le tableau de décongélation.

- Supposition : décongeler une tranche de viande de 2 livres (900 g).

1. Toucher une fois la commande Defrost.
2. Sélectionner le type d'aliment voulu en actionnant la même commande Defrost jusqu'à ce que son nom apparaisse. Ici appuyer 2 fois pour arriver à "steak".
3. Entrer le poids en composant **2|0** sur les touches numériques.
4. Toucher la commande Start/Touch On.
Le four va s'arrêter et des instructions seront affichées. Suivre le message indiqué.
5. Après la première étape, ouvrir la porte. Retourner la tranche et protéger toutes les parties chaudes. Refermer la porte. Toucher la commande Start/Touch On.

6. Après la seconde étape, ouvrir la porte. Protéger toutes les parties chaudes. Refermer la porte. Toucher la commande Start/Touch On.
7. Après la fin du cycle de décongélation, couvrir et laisser reposer comme indiqué sur le tableau qui suit.

Remarque :

1. Si on essaye d'entrer plus ou moins que la valeur permise indiquée au tableau, un message d'erreur s'affiche.
2. La décongélation peut être programmée avec un réglage de durée en plus ou en moins. Voir en page 25.
3. Pour décongeler d'autres aliments ou ces aliments à des poids inférieurs ou supérieurs à ceux indiqués au tableau de décongélation, voir en page 14 la Décongélation manuelle.

TABLEAU DEFROST

ALIMENT	QUANTITÉ	MARCHE À SUIVRE
1. Viande hachée	0,5 à 3.0 livres (0,3 à 1,3 kg)	Enlevez les morceaux décongelés après chaque étape. Laissez reposer à couvert pour 5 à 10 minutes.
2. Bifteck (côtelettes) (poisson)	0,5 à 4,0 livres (0,3 à 1,8 kg)	Après chaque étape de cycle de décongélation, réarrangez et protégez avec des petits morceaux lisses de feuille d'aluminium. Enlevez toute viande ou poisson presque décongelé. Laissez reposer couvert pour 10 à 20 minutes.
3. Poulet découpé	0,5 à 3.0 livres (0,3 à 1,3 kg)	Après chaque étape de cycle de décongélation, réarrangez ou enlevez toutes pièces chaudes ou décongelées. Laissez reposer couvert pour 10 à 20 minutes.

Remarque :

Vérifiez les aliments dès que le four émet un signal. Après l'étape finale, quelques petites parties restent quelquefois glacées. Laissez reposer pour terminer la décongélation. Ne pas décongeler avant que tous les cristaux de glace se soient dégivrés.

Couvrez ou protégez afin d'empêcher toute cuisson avant la décongélation au coeur de l'aliment. Appliquez des bandelettes lisses de feuille d'aluminium pour recouvrir les bords et les sections minces de l'aliment.

Micro-ondes particularités

SENSOR COOKING (CUISSON AU CAPTEUR)

Le capteur est un dispositif à semi-conducteur qui décèle la vapeur (humidité) émise par les aliments qui sont chauffés. Il permet de régler les durées de cuisson et la puissance de chauffe en fonction des divers aliments et de leur quantité.

UTILISATION DES RÉGLAGES DU CAPTEUR :

1. Après que le four ait été branché, attendre 2 minutes avant d'utiliser les paramètres du capteur.
2. S'assurer que l'extérieur du récipient de cuisson et l'intérieur du four sont bien secs. Essuyer toute trace d'humidité avec un linge sec ou du papier essuie-tout.
3. Réchauffer et Popcorn sont les seules commandes possibles dans la minute après cuisson, ouverture et fermeture de porte, ou action sur la commande Stop/Clear.
4. Durant la première partie de la cuisson au capteur, le nom de l'aliment apparaîtra à l'affichage. Ne pas ouvrir la porte et ne pas toucher Stop/Clear durant cette partie du cycle de cuisson. La mesure du taux de vapeur en serait interrompue. Si cela arrivait, un message d'erreur s'afficherait. Pour poursuivre la cuisson, actionner la commande Stop/Clear et sélectionner le temps de cuisson et la variable de puissance.

Quand le capteur calibre la vapeur émise par l'aliment, la durée restante pour la cuisson de l'aliment apparaît. La porte peut être ouverte durant ce laps de temps, on peut alors remuer ou assaisonner les aliments au besoin.

5. Vérifier la température des aliments en fin de cuisson. Si du temps additionnel est nécessaire continuez la cuisson avec puissance et durée variables.
6. Si le capteur ne repère pas correctement de vapeur pendant la cuisson du maïs, le four est arrêté, et l'heure exacte du moment est affichée. Si le capteur ne repère pas correctement de vapeur en utilisant le réchauffage du capteur, ERROR sera affiché, et le four s'arrêtera.
7. Tout mode de cuisson au capteur peut être programmé avec des ajustements de temps en plus ou en moins. Voir en page 25.
8. Chaque aliment présente un temps conseillé. Pour plus d'information, presser sur HELP quand le témoin est allumé.

SÉLECTION D'ALIMENTS :

1. Le capteur fonctionne avec les aliments à température normale de conservation. Par exemple, les plats à réchauffer seront à la température du réfrigérateur, et les pommes de terre à rôtir seraient à température ambiante.
2. Les aliments pesant moins de 3 onces (90 g environ) doivent être réchauffés avec durée et puissance variables.

COUVERCLES D'ALIMENTS :

Certaines préparations réussissent mieux sous couvercle. Utilisez le mode de couverture recommandé dans les tableaux citant ces aliments.

1. Couvercle de cocotte
2. Film plastique : utilisez les produits recommandés pour la cuisine micro-ondes. Couvrez légèrement, en laissant environ 1/2 po à découvert pour permettre aux vapeurs de s'échapper. Le film plastique ne doit pas être en contact avec les aliments.
3. Papier ciré : recouvrez le récipient complètement ; repliez le papier sous le plat de cuisson pour le maintenir en place. Si le papier est plus étroit que le récipient, utilisez deux couches se chevauchant d'au moins 1 po.

Faire attention en enlevant tout couvercle à ce que la vapeur puisse s'échapper en ne partant pas vers soi.

REHEAT (RÉCHAUFFAGE)

On peut réchauffer beaucoup d'aliments en ne touchant qu'une commande. Il n'est pas nécessaire de calculer la durée de réchauffage ni sa puissance.

- Supposition : du chili préparé doit être réchauffé.

Toucher la commande Reheat.

Lorsque le capteur perçoit les vapeurs émises par l'aliment, le temps de cuisson restant s'affiche.

POPCORN

- Supposition : un sac de maïs à popcorn de 3,5 onces (environ 100 g) doit être éclaté.

Appuyer une fois sur la commande Popcorn.

Ce réglage de capteur convient à la plupart des marques de popcorn à cuire aux micro-ondes. Faites quelques essais pour choisir votre marque préférée. Préparez un seul sac à la fois. Dépliez le sac et préparez selon le mode d'emploi fourni.

Micro-ondes particularités

TABLEAU SENSOR

ALIMENT	QUANTITÉ	MARCHE À SUIVRE
Reheat (Capteur) Restes de riz, pommes de terre, légumes, plats préparés ou autres	4 à 36 onces	Placez dans un récipient ou cocotte légèrement plus grand que la quantité à réchauffer. Aplatissez le contenu si possible. Couvrez d'un couvercle, film plastique ou papier ciré. Couvrez de film plastique ou couvercle pour les quantités importantes ou les aliments à consistance épaisse tels que les ragoûts. Remuez si possible le plat réchauffé, qui doit être très chaud. Sinon, continuez à réchauffer à puissance et durée variables. Une fois remué, couvrez le plat et laissez reposer 2 ou 3 minutes.
Soupes	1 à 4 tasses	Remuez si possible le plat réchauffé, qui doit être très chaud. Sinon, continuez à réchauffer à puissance et durée variables. Une fois remué, couvrez le plat et laissez reposer 2 ou 3 minutes.
Plats principaux et légumes en conserves	4 à 36 onces	Ajustez pour moins de temps en touch-ant Power Level deux fois pour de petites quantités de légumes en conserves.
Popcorn	Un seul sac à la fois	N'utilisez que du popcorn conditionné pour cuisson micro-ondes. Faites quelques essais pour choisir votre marque préférée. N'essayez pas de faire éclater les grains restés entiers. Ajustez par plus ou moins de temps si nécessaire, pour accommoder les grains plus mûrs ou les préférences de chacun.
	Sac de 3,0-3,5 onces (taille courante)	Appuyez une fois sur la commande Popcorn. Ce réglage fonctionne bien pour les sacs de cette taille.
	Sac de 1,5-1,75 onces (format snack)	Appuyez deux fois sur la commande Popcorn dans les 2 secondes pour les sacs de taille snack.

Micro-ondes particularités

SENSOR COOK (CUISSON AU CAPTEUR)

- Pour faire rôtir une pomme de terre :

1. Appuyez sur la commande Sensor Cook.

2. Sélectionnez le paramétrage voulu du capteur. Par exemple actionnez **1** pour cuire des pommes de terre au four.

3. Appuyez sur la commande Start/Touch On. Quand le capteur détecte la vapeur émise par l'aliment à cuire, la durée restante de cuisson apparaît.

TABLEAU SENSOR COOK

ALIMENT	QUANTITÉ	MARCHE À SUIVRE
1. Baked potatoes (Pommes de terre rôties)	1 à 8 moyennes	Percez. Placez sur le plateau tournant recouvert de serviette en papier. Après la cuisson, retirez du four, enveloppez de feuille d'aluminium et laissez reposer 5 à 10 minutes.
2. Frozen vegetables (Légumes surgelés)	1 à 8 tasses	Mettez sous couvercle ou film plastique. Après la cuisson, remuez et laissez reposer recouvert pendant 3 minutes.
3. Fresh Vegetables (Légumes frais) : tendres		Lavez et placez dans un récipient. Ne pas ajouter d'eau si les légumes viennent d'être lavés. Posez un couvercle pour des légumes tendres, ou du film plastique pour une cuisson plus croquante. Remuez si possible avant de laisser reposer. Après la cuisson, laissez reposer recouvert de 2 à 5 minutes.
Brocoli	0,25 à 2,0 livres	
Choux de Bruxelles	0,25 à 2,0 livres	
Chou	0,25 à 2,0 livres	
Chou-fleur (en bouquets)	0,25 à 2,0 livres	
Chou-fleur (entier)	1 moyen	
Épinards	0,25 à 1,0 livre	
Zucchini	0,25 à 2,0 livres	
Pommes cuites	2 à 4 moyen	
4. Fresh vegetables (Légumes frais) : croquants		Placez dans une casserole. Ajoutez 1 à 4 cuillères à soupe d'eau. Posez un couvercle sur les légumes à cuisson tendre, ou du film plastique pour une cuisson plus croquante. Remuez si possible avant de laisser reposer. Après cuisson, laissez reposer recouvert de 2 à 5 minutes.
Carottes en tranches	0,25 à 1,5 livres	
Maïs en épi	2 à 4 pièces	
Haricots verts	0,25 à 1,5 livres	
Courges en dés	0,25 à 1,5 livres	
Coupées en moitié	1 à 2	
5. Frozen entrees (Plats principaux surgelés)	6 à 17 onces	Utilisez pour les légumes surgelés prêts à servir. Les résultats se-ront bons dans la plupart des cas. Faites quelques essais pour trouver votre marque préférée. Défaites l'emballage extérieur et suivez les indications concernant les couvercles. Après la cuisson, laissez reposer recouvert de 1 à 3 minutes.
6. Hot dogs	1 à 4 portions	Placez la saucisse dans son petit pain et enveloppez d'une serviette en papier.
7. Bacon	2 à 6 tranches	Placez le bacon sur une assiette en carton recouverte d'une serviette en papier. Le bacon ne doit pas dépasser hors de l'assiette. Couvrez d'une serviette en papier.
8. Fish, seafood (Poisson, fruits de mer)	0,25 à 2,0 livres	Disposez en rond sur un plat en verre peu profond (enroulez les filets afin qu'ils re-posent sur leurs bords repliés). Recouvrez de film plastique. Après la cuisson, laissez reposer recouverts pendant 3 minutes.

Convection fonctionnement automatique

Cette section du manuel d'opérations explique la préparation de 12 plats populaires utilisant les fonctions de grillade Convec Broil, de rôtissage Convec Roast et de four Convec Bake.

Après avoir sélectionné la fonction voulue, suivez les indications de l'affichage.

Pour des conseils pratiques, touchez simplement HELP lorsque le message d'aide HELP s'allume en affichage.

Attention : L'enceinte, la chambre, la porte le plateau tournant, les supports et les plats du four à micro-ondes deviennent chauds. Pour ÉVITER LES BRÛLURES, utilisez des gants épais pour four en enlevant les aliments ou le plateau tournant du four.

CONVEC BROIL

Convec Broil fait griller automatiquement les hamburgers, le poulet en morceaux, les biftecks et les tranches de poisson.

- Pour faire griller deux hamburgers :
 1. Actionnez la commande Convec Broil.
 2. Sélectionnez le réglage voulu. Par exemple pour des hamburgers entrez **1**.

3. Entrez la quantité au clavier numérique, par exemple **2**. Suivez les informations affichées pour la cuisson. Pour avoir des hamburgers bien cuits ou saignants, actionnez la commande Power Level pour choisir respectivement More ou Less. Voir les réglages de plus ou moins de durée en page 25.

4. Touche Start/Touch On.

Après la fin du cycle de préchauffage de gril, le four s'arrête et des instructions sont affichées, suivez ce que dit le message. Ouvrez la porte et placez les hamburgers dans le four, refermez la porte.

5. Touche Start/Touch On.

Remarque :

1. Convec Broil peut se programmer avec un ajustement de plus ou moins de temps. Voir la page 25.
2. Si on essaye d'entrer plus ou moins que la valeur permise indiquée au tableau, un message d'erreur s'affiche.
3. Pour faire griller d'autres aliments ou des aliments de poids ou de chiffres inférieurs ou supérieurs aux valeurs établies dans le tableau ci-dessous, suivez les instructions du livre de cuisine Convection Microwave Cookbook. Voir le tableau Broiling.

TABLEAU CONVEC BROIL

ALIMENT	QUANTITÉ	GRILLE	MARCHE À SUIVRE
1. Hamburgers	1 à 8 pesant 1/4 de livre chacun	Inférieure	Choisissez ce réglage pour faire griller des hamburgers. Posez sur la grille inférieure.
2. Chicken pieces (Morceaux de poulet)	0,5 à 3,5 livres	Inférieure	Disposez les morceaux sur la grille inférieure. Après cuisson, laissez reposer 3-5 minutes. La température doit être de 180° F sauf pour les blancs qui doivent être à 170° F.
3. Steaks (Biftecks)	0,5 à 2,0 livres	Inférieure	Choisissez ce réglage pour faire griller des biftecks de 3/4 à 1 po d'épaisseur. Les biftecks individuels désossés cuisent uniformément. Posez les biftecks sur la grille inférieure. Touche Power Level une fois une cuisson à point et deux fois pour des biftecks saignants.
4. Fish steaks (Tranches de poisson)	0,5 à 2,0 livres	Inférieure	Choisissez ce réglage pour faire griller une tranche de poisson de 3/4 à 1 po d'épaisseur. Posez sur la grille inférieure.

Convection fonctionnement automatique

CONVEC ROAST

Convec Roast fait automatiquement rôtir le poulet, la dinde, le blanc de dinde ou le porc.

- Pour faire rôtir un poulet de 2,5 livres :
 1. Touche Convec Roast.
 2. Sélectionner le réglage voulu. Par exemple pour le poulet entrez **1**.
 3. Entrer le poids aux touches numériques, par exemple **2****5** livres.
 4. Touche Start/Touch On.

Après la fin du cycle de rôtissage à convection, une

tonalité longue retentit. Suivre les consignes du message affiché.

Remarque :

1. Convec Roast peut se programmer avec un ajustement de plus ou moins de temps. Voir la page 25.
2. Si on essaye d'entrer plus ou moins que la valeur permise indiquée au tableau, un message d'erreur s'affiche.
3. Pour faire rôtir d'autres aliments ou des plats pesant plus ou moins que les poids donnés au tableau ci-dessous, consulter le tableau de cuisson combinée présenté dans le livre de cuisine Convection Microwave Cookbook.

TABLEAU CONVEC ROAST

ALIMENT	QUANTITÉ	GRILLE	MARCHE À SUIVRE
1. Chicken (Poulet)	2,5 à 7,5 livres	Inférieure	À la fin du cycle, couvrir d'une feuille d'aluminium et laissez reposer 5 à 10 minutes.
2. Turkey (Dinde)	6,5 à 9,0 livres	Inférieure	Assaisonner au goût. Placer sur la grille inférieure. À la fin du cycle, couvrir d'une feuille d'aluminium et laissez reposer pendant 10 minutes. La température interne des blancs de dinde doit être de 170° F et de 180° F pour les autres pièces.
3. Turkey breast (Blanc de dinde)	3,0 à 6,0 livres	Inférieure	Assaisonner au goût. Placer sur la grille inférieure. À la fin du cycle, couvrir d'une feuille d'aluminium et laissez reposer pendant 10 minutes. La température interne des blancs de dinde doit être de 170° F.
4. Pork (Porc)	2,0 à 3,5 livres	Inférieure	Le filet de porc désossé est recommandé pour sa cuisson uniforme. Placez sur la grille inférieure. Après la cuisson, retirez du four, couvrez d'une feuille d'aluminium et laissez reposer 5 à 10 minutes. La température interne doit être de 160° F.

Convection fonctionnement automatique

CONVEC BAKE

Convec Bake fait automatiquement cuire au four les gâteaux, les carrés au chocolat, muffins, et frites.

- Supposition : cuisson au four d'un gâteau Bundt.

1. Touche Convec Bake.
2. Sélectionner le réglage voulu. Pour ce type de gâteau entrer **1**.
3. Touche Start/Touch On.

Remarque :

1. Convec Bake peut se programmer avec un ajustement de plus ou moins de temps. Voir la page 25.
2. Pour cuire d'autres aliments au four, voir la section correspondante du livre de cuisine Convection Microwave Cookbook.

TABLEAU CONVEC BAKE

ALIMENT	QUANTITÉ	RACK	MARCHE À SUIVRE
1. Bundt cake (Gâteau Bundt)	1 gâteau	Pas de support	Idéal pour préparation à gâteau toute prête ou votre propre recette. Suivre les recommandations ou la recette et placer l'appareil dans un moule à bundt beurré et fariné, enfourner. Laisser refroidir avant de décorer et servir.
2. Cookies (Biscuits)	1 ou 2 moules à pizza	1 moule sans support 2 moules avec support haut	Idéal pour de la pâte à biscuit réfrigérée. Suivre les recommandations ou la recette et répartir la pâte dans un moule à pizza beurré et fariné. Les biscuits doivent faire environ 8 mm d'épaisseur et 5 cm de diamètre pour les meilleurs résultats. Enfourner à la fin du préchauffage. Laisser refroidir avant de servir.
3. Muffins	6 à 12 coupes, 1 ou 2 moules à muffins	1 moule et pas de support. 2 moules et trépied haut	Idéal pour préparation à muffins toute prête ou votre propre recette pour 6-12 muffins moyens. Suivre les recommandations ou la recette et placer l'appareil dans un moule à muffins. Enfourner à la fin du préchauffage.
4. French fries (Frites)	90 à 680 g (3 à 34 onces), 1 ou 2 moules à pizza. Utiliser 2 moules si > 340 g	1 moule et pas de support. 2 moules et trépied haut	Utiliser des frites surgelées placées dans le moule à pizza. Il n'y a pas besoin de préchauffage pour les cuire. Pour des pommes allumettes actionner 2 fois Power Level pour entrer une durée de cuisson inférieure avant d'actionner la commande Start/Touch On.

Cuisson par convection/combinaison automatique

Cette section du Manuel d'opérations présente des instructions et procédures de cuisson spécifiques. Prière de consulter le livre de cuisine, Convection Microwave Cookbook, pour des conseils utiles concernant la cuisson par convection ou combinée.

Le four ne doit pas être utilisé sans que le plateau tournant soit installé et la rotation ne doit jamais être entravée. Le plateau tournant peut être retiré pour préchauffer le four et pour préparer des aliments à cuire directement sur le plateau.

Attention : L'enceinte, la chambre, la porte le plateau tournant, les supports et les plats du four à micro-ondes deviennent chauds. Pour ÉVITER LES BRÛLURES, utilisez des gants épais pour four en enlevant les aliments ou le plateau tournant du four.

CUISSON PAR CONVECTION

Le chauffage par convection fait circuler l'air chaud dans tout l'espace du four pour que les aliments deviennent rapidement dorés et croustillants de part en part. Ce four peut se programmer à dix températures différentes de cuisson par convection pour un maximum de 99 minutes, 99 secondes.

CUIRE PAR CONVECTION

- Pour une cuisson de 20 minutes à 350° F :

1. Touche Convec.
2. Sélectionner la température en actionnant la touche numérique **6**_{350°F}.
3. Entrer la durée de cuisson en sélectionnant **2|0|0|0** aux touches numériques.
4. Touche Start/Touch On.

Remarque : Si l'on souhaite connaître la température de four programmée, il suffit de toucher la commande Convec. La température s'affiche temps que le doigt reste sur cette touche.

PRÉCHAUFFAGE ET CUISSON PAR CONVECTION

Le four peut se programmer pour combiner les fonctions de préchauffage et de cuisson par convection. La convection peut être réglée à la même température que le préchauffage ou à une température plus ou moins élevée.

- Pour un préchauffage à 350° F suivi d'une cuisson de 25 minutes à 375° F par convection :

1. Touche Preheat.
2. Sélectionner la température en actionnant la touche numérique **6**_{350°F}.
3. Touche Convec.
4. Sélectionner la température en actionnant la touche numérique **7**_{375°F}.
5. Entrer la durée de cuisson en sélectionnant **2|5|0|0** aux touches numériques.
6. Touche Start/Touch On.

Quand le four atteint la température programmée, un signal sonore retentit 4 fois*. Le four s'arrête et des instructions à suivre sont affichées.

7. Ouvrir la porte, enfourner les aliments, refermer la porte. Actionner Start/Touch On.

* Si la porte du four n'est pas ouverte, le four va automatiquement garder cette température de préchauffage pendant 30 minutes. Après ce délai de maintien un signal sonore est émis et le four s'éteint.

Remarque :

1. Pour programmer un préchauffage seul, actionner la commande Start/Touch On après l'étape 2. Le préchauffage démarre, et quand le four atteint cette température programmée suivre le message indiqué.
2. Pour préchauffer et cuire à la même température, entrer la même température aux étapes 2 et 4.

BROIL (GRIL)

Le préchauffage est automatique quand le mode Broil est sélectionné. Seul le temps réel de cuisson est entré, le four signale quand il a atteint le préchauffage à 232° C (450° F). La température du four ne peut pas être modifiée. Utiliser ce mode de cuisson pour les tranches, côtelettes, morceaux de poulet et beaucoup d'autres pièces. Se reporter au tableau de cuisson au gril à convection dans le livre de cuisine.

- Supposition : griller une tranche de viande 15 minutes.

1. Actionner la commande Broil.
2. Entrer la durée de cuisson en sélectionnant **1|5|0|0** aux touches numériques.
3. Actionner la commande Start/Touch On sans aliments dans le four.

Quand le four atteint la température programmée, un signal sonore retentit 4 fois*.

4. Ouvrir la porte du four, enfourner les aliments et refermer la porte. Actionner la commande Start/Touch On.

* Si la porte du four n'est pas ouverte, le four va automatiquement garder cette température de préchauffage pendant 30 minutes. Après ce délai de maintien un signal sonore est émis et le four s'éteint.

Remarque :

1. Le préchauffage de gril prend de 7 à 10 minutes, en fonction de la température de la pièce et de la puissance disponible.
2. Bien que la durée soit en général fixée pour le temps maximum de grillage, vérifier toujours les aliments au bout du temps minimum recommandé dans le tableau du livre de cuisine. Cela éliminera le besoin de reprogrammer complètement le four si du temps additionnel était nécessaire. Refermer simplement la porte du four et réactiver Start/Touch On pour reprendre jusqu'à la fin du temps maximum.

Cuisson par convection/combinaison automatique

3. Si plus de temps de gril est nécessaire, reprogrammer dans la minute qui suit la fin pour éliminer le préchauffage.

Attention : L'enceinte, la chambre, la porte le plateau tournant, les supports et les plats du four à micro-ondes deviennent chauds. Pour ÉVITER LES BRÛLURES, utilisez des gants épais pour four en enlevant les aliments ou le plateau tournant du four.

SLOW COOK (CUISSON LENTE)

Le mode Slow Cook est pré réglé à 149° C (300° F) pendant 4 heures. La température peut être modifiée pour être inférieure. La durée de cuisson ne peut pas être changée. Ce mode est utilisé pour des aliments comme haricots au four ou tranche de viande ferme marinée.

• Supposition : abaissement de la température de 300° F à 275° F.

1. Actionner la commande Slow Cook.
2. Actionner de nouveau Slow Cook si la température de consigne 300° F doit être changée.
3. Actionner la touche de température **3** 275°F.
4. Actionner la commande Start/Touch On.

Remarque : Si la température ne doit pas être changée, omettre les étapes 2 et 3.

CUISSON AVEC COMBINAISON AUTOMATIQUE

Ce four a deux réglages préprogrammés qui permettent une cuisson facile avec à la fois automatiquement la chaleur en convection et les micro-ondes.

	TEMPÉRATURE DE FOUR	PUISSANCE MICRO-ONDES
High mix/Roast (Combinaison forte/rôtissage)	149° C (300° F)	30 %
Low mix/Bake (Combinaison faible/cuisson)	177° C (350° F)	10 %

À l'exception des aliments qui se cuisent mieux avec simplement la chaleur par convection, la plupart des aliments bénéficient d'une cuisson hybride à combinaison faible ou forte d'appoint micro-ondes.

Le mariage de ces deux méthodes de cuisson donne des viandes juteuses, non desséchées et tendres, et des pains à texture fine, avec juste la bonne dose de doré et de croustillant.

Les températures peuvent être modifiées, mais pas la puissance des micro-ondes.

La température du four peut être fixée de 38 à 232° C (100-450° F). Il faut pour cela actionner un mode de combinaison High ou Low, puis actionner de nouveau

cette même commande. Quand l'affichage montre SELECT TEMP, toucher niveau de température voulue. Par exemple la séquence d'actions peut être pour une température de 190° C (375° F) : High mix, High mix, **7**.

POUR CUIRE AVEC COMBINAISON AUTOMATIQUE

• Supposition : cuisson au four de 25 minutes en combinaison faible.

1. Actionner la commande Low mix/Bake.
2. Entrer la durée de cuisson en sélectionnant **2500** aux touches numériques.
3. Actionner la commande Start/Touch On.

POUR PRÉCHAUFFER ET CUIRE AVEC COMBINAISON AUTOMATIQUE

Votre four peut être programmé pour combiner les opérations successives de préchauffage et de cuisson à combinaison automatique. On peut préchauffer à la même température que la valeur prédéterminée pour la combinaison ou fixer la valeur de préchauffage.

• Supposition : Préchauffage à 350° F et cuisson de 25 minutes à 325° F en combinaison Low mix/Bake.

1. Actionner la commande Preheat (préchauffage).
2. Actionner la commande de température **6** 350°F.
3. Actionner la commande Low mix/Bake.
4. Actionner de nouveau Low mix pour modifier la température de cuisson.
5. Actionner la commande de température **5** 325°F.
6. Entrer la durée de cuisson en sélectionnant **2500** aux touches numériques.
7. Actionner la commande Start/Touch On.

Quand le four atteint la température programmée, un signal sonore retentit 4 fois*. Le four s'arrête et des instructions à suivre sont affichées.

8. Ouvrir la porte, enfourner les aliments, refermer la porte. Actionner Start/Touch On.

* Si la porte du four n'est pas ouverte, le four va automatiquement garder cette température de préchauffage pendant 30 minutes. Après ce délai de maintien un signal sonore est émis et le four s'éteint.

Remarque : Pour programmer un préchauffage seul, actionner la commande Start/Touch On après l'étape 2. Le préchauffage démarre, et quand le four atteint cette température programmée suivre le message indiqué.

CONSEILS UTILES POUR CUISSON PAR CONVECTION ET COMBINAISON AUTOMATIQUE

Votre four à micro-ondes et convection peut cuire parfaitement les aliments du fait des nombreux modes de cuisson qu'il permet : micro-ondes seulement, combinaison automatique, convection seulement et gril.



Cuisson par convection/combinaison automatique

Le livre de cuisine livré avec votre four donne d'excellents conseils d'utilisation, des astuces, des tableaux et des recettes pour vous aider à utiliser au mieux votre four. Il faut le consulter souvent pour se familiariser avec son usage. Le manuel de fonctionnement vous indique lui comment programmer votre four.

Le four ne peut pas être utilisé sans que le plateau tournant soit en place. Ne bloquez jamais le mouvement de ce plateau.

Cuisson par convection :

1. Durant le préchauffage, le plateau tournant peut rester en place ou être enlevé. Quand vous utilisez le trépied du haut pour une cuisson à deux trépieds dans un four préchauffé, il est plus facile d'enlever le plateau tournant durant le préchauffage.

Placez le trépied du haut sur le plateau tournant avec les aliments. Quand le préchauffage est terminé ouvrez la porte du four et mettez rapidement en place le plateau tournant, le trépied du haut et les aliments à cuire.

2. Ne couvrez pas le plateau tournant, le trépied bas ou le haut, avec du papier d'aluminium. cela interfère avec la circulation de l'air qui permet la cuisson des aliments.
3. Les moules à pizza ronds sont d'excellents ustensiles de cuisson pour beaucoup d'aliments à cuire avec convection. Choisissez des moules n'ayant pas de poignées qui dépassent, de 25, 30 et 35 cm de diamètre.
4. L'utilisation du trépied bas avec préchauffage donne une apparence grillée aux steaks, hot dogs, etc.

Cuisson par mélange automatique :

1. Les viandes sont meilleures quand elles sont rôties directement sur le trépied bas. Un plat peut être placé sous la viande si on veut utiliser les écoulements pour une sauce.
2. Les pièces de viande moins tendres peuvent être rôties et attendries en utilisant des sacs de cuisson au four.
3. En cuisant au four vérifiez le degré de cuisson à la fin de la durée prévue. Si elle est incomplète laissez reposer quelques minutes à four pour la terminer.

Remarque :

Durant la cuisson mixte certains ustensiles de cuisson métalliques peuvent causer des arcs en entrant en contact avec le plateau tournant, les parois du four ou les trépieds accessoires. Un arc est une décharge d'électricité qui survient quand les micro-ondes entrent en contact avec du métal.

En cas d'arcs, placez un plat résistant à la chaleur (plat à tarte en Pyrex®, plateau à pizza en verre ou assiettes de cuisine) entre le bac et le plateau tournant ou le trépied. Si le phénomène d'arcs arrive avec d'autres ustensiles de cuisson au four, arrêtez leur utilisation dans le mode de cuisson mixte.



Autres particularités pratiques

SÉQUENCE DE CUISSON MULTIPLE

Le four peut être programmé pour jusqu'à 4 séquences automatiques de cuisson pour le mode micro-ondes, et 4 séquences automatiques de cuisson avec préchauffage pour le mode convection/combinaison, en commutant d'un réglage de puissance à l'autre automatiquement.

Parfois les instructions de cuisson vous indiquent de démarrer à une puissance et de changer ensuite pour une différente. Votre four le fait automatiquement.

- Supposition : cuisson d'une pièce de boeuf à rôti 5 minutes à 100 % puis 30 minutes à 50 %.
1. Activer d'abord la commande de niveau de puissance deux fois pour 100 %. Puis entrer la première durée de cuisson.
 2. Activer la commande de niveau de puissance [5] pour 50 %. Puis entrer la seconde durée de cuisson.
 3. Activer la commande Start/Touch On.

Remarque :

1. Comme la commande Power Level a été activée deux fois, HIGH est affiché.
2. Si l'on souhaite connaître le niveau de puissance programmée, il suffit de toucher la commande Power Level. La puissance s'affiche temps que le doigt reste sur cette touche.

RÉGLAGE DES TEMPS DE CUISSON

Si vous avez constaté par expérience préférer une cuisson un peu plus poussée dans les modes avec capteur, décongélation, gril, rôtissage et cuisson au four avec convection, actionnez une fois la commande Power Level après votre sélection.

Si vous avez constaté par expérience préférer une cuisson un peu moins poussée dans les modes avec capteur, décongélation, gril, rôtissage et cuisson au four avec convection, actionnez deux fois la commande Power Level après votre sélection.

ADD-A-MINUTE (AJOUT D'UNE MINUTE DE CUISSON)

La touche Add-A-Minute permet de commander une cuisson d'une durée d'une minute au niveau 100 %. Au cours du fonctionnement manuel, il est possible d'augmenter la durée de cuisson par incrément de 1 minute en appuyant sur cette touche autant de fois qu'il est nécessaire.

- Supposons que l'on veuille réchauffer une tasse de soupe pendant une minute.

Appuyer sur la touche Add-A-Minute.

Remarques :

1. La touche Add-A-Minute n'a d'effet que pendant la

cuisson ou que dans la minute suivant une cuisson, l'ouverture et la fermeture de la porte, et la pression sur la touche Stop/Clear.

2. Add-A-Minute ne peut pas être utilisé avec Sensor (Capteur), Sensor Cook (Cuisson par capteur), Defrost (Décongélation), Convec Broil, Convec Roast ni Convec Bake.

HELP (AIDE [CONTROL PAD])

La touche Help facilite l'emploi du four en permettant l'affichage d'instructions pour 5 fonctions.

1. VERROUILLAGE DE SÉCURITÉ

Le verrouillage de sécurité évite une utilisation indésirable du four à micro-ondes par des enfants par exemple. Le four peut être configuré pour que son tableau de commandes soit désactivé ou verrouillé. Pour ce faire, toucher Help, le chiffre [1] puis Start/Touch On. Si on veut ensuite activer une commande LOCK apparaît à l'affichage. Pour annuler le verrouillage, toucher Help puis Start/Touch On.

2. SUPPRESSION DU SIGNAL SONORE

Si on désire que le four n'émette pas de signal sonore pendant son fonctionnement, appuyer sur la touche Help, la touche [2] et la touche Stop/Clear.

Pour rétablir l'émission du signal sonore, appuyer sur la touche Help, la touche [2] et la touche Start/Touch On.

3. DÉMARRAGE AUTOMATIQUE

Si on désire programmer le four de façon à ce qu'il commence la cuisson à une heure précise, procéder comme suit :

- Supposons que l'on veuille commencer la cuisson d'un ragoût à 4:30 au niveau 50 %, pendant 20 minutes. Avant tout, s'assurer que l'horloge indique l'heure exacte.
1. Appuyer sur la touche Help.
 2. Toucher le chiffre [3] pour sélectionner Auto Start (démarrage auto).
 3. Pour entrer l'heure de démarrage à 4:30, activer successivement [4], [3] et [0].
 4. Activer la commande Clock (horloge).
 5. Pour entrer le programme de cuisson, activer Power Level, puis [5] et ensuite [2], [0], [0], [0] pour la durée de cuisson.
 6. Activer la commande Start/Touch On. L'heure de démarrage automatique choisie va s'afficher.

Remarques :

1. Le mode Auto Start peut être utilisé pour la cuisson manuelle, le grillage, le rôtissage et la cuisson avec convection, si l'horloge est paramétrée.
2. Si on ouvre la porte du four après avoir programmé un

Autres particularités pratiques

démarrage automatique, il suffit de nouveau appuyer sur la touche Start/Touch On de manière à afficher l'heure à laquelle doit commencer la cuisson, faute de quoi celle-ci ne débutera pas à l'heure prévue.

3. S'assurer que les aliments peuvent être conservés sans risque dans le four jusqu'à l'heure de leur cuisson. Les courges et potirons font partie de ceux-là.
4. Pour connaître l'heure, appuyer sur la touche Timer/Clock. L'heure est affichée aussi longtemps que l'on maintient la pression d'un doigt sur cette touche.

4. SÉLECTION DE LANGUE

Le four à micro-ondes est d'origine paramétré en anglais. Pour changer actionner Help et entrer [4]. Continuer d'actionner [4] jusqu'à ce que la langue choisie soit sélectionnée. Toucher alors la commande Start/Touch On.

Un appui sur [4] : sélection de l'anglais.

Deux appuis sur [4] : sélection de l'espagnol.

Trois appuis sur [4] : sélection du français.

5. SÉLECTIONS DE POIDS ET DE TEMPÉRATURE

Le four à micro-ondes est d'origine paramétré pour les unités américaines de température et poids. Pour changer actionner Help et entrer [5]. Continuer d'actionner [5] jusqu'à ce que les unités choisies aient été sélectionnées. Toucher alors la commande Start/Touch On.

Un appui sur [5] : sélection de LB/°F.

Deux appuis sur [5] : sélection de KG/°C.

TIMER (MINUTERIE)

- Supposition : chronométrage d'un appel téléphonique longue distance pour 3 minutes.
1. Actionner la commande Timer.
 2. Entrer la durée touchant la séquence [3][0][0].
 3. Actionner la commande Start/Touch On.

MODE DE DÉMONSTRATION

Pour lancer une démonstration, toucher dans l'ordre Clock, [0], et la commande Start/Touch On à maintenir pendant 3 secondes. DEMO ON va s'afficher. On peut alors démontrer les opérations de cuisson et les possibilités spécifiques sans que le four à micro-ondes ne génère de puissance. Par exemple, l'appui sur la commande Add-A Minute provoque l'affichage de 1.00 suivi d'un décompte rapide jusqu'à l'affichage de END à la fin.

Pour sortir du mode démonstration, toucher dans l'ordre Clock, [0], et la commande Stop/Clear. Si c'est plus facile, débrancher le four de sa prise secteur et le rebrancher.

TOUCH ON (TOUCHE DE PUISSANCE MAXIMALE)

Touch On permet de cuire à puissance maximale (100 %) aussi longtemps que l'on maintient la pression d'un doigt sur la touche Start/Touch On. Touch On est parfait pour faire fondre du fromage, porter du lait à une température tout juste inférieure à la température d'ébullition, etc. La durée maximale d'utilisation est de 3 minutes.

- Supposons que l'on veuille faire fondre un morceau de fromage sur une tranche de pain.
1. Maintenir la pression d'un doigt sur la touche Start/Touch On. La durée s'affiche.
 2. Lorsque le fromage a atteint l'onctuosité désirée, relâcher la pression du doigt sur la touche Start/Touch On. Le four cesse immédiatement de fonctionner.

Remarques :

1. Noter les temps nécessaires concernant à diverses opérations fréquentes et les programmer pour une utilisation future.
2. La touche Start/Touch On n'a d'effet que au cours de la minute qui suit une cuisson, l'ouverture et la fermeture de la porte ou une pression sur la touche Stop/Clear.
3. La touche Touch On ne peut être utilisée que trois fois de suite. Il faut ensuite ouvrir et fermer la porte du four ou appuyer sur la touche Stop/Clear, pour augmenter le temps de cuisson.

AIDE (INDICATION À L'AFFICHAGE)

Chaque configuration des modes décongélation, grill/rôtissage/cuisson au four avec convection et cuisson avec capteur est accompagnée d'un conseil de cuisson. Pour le lire, toucher la commande Help à chaque fois que HELP est activé à l'affichage interactif pour accéder aux messages d'aide.

Nettoyage et entretien

Débrancher le cordon secteur avant de nettoyer, ou laisser la porte ouverte pour inactiver le four micro-ondes durant son nettoyage.

EXTÉRIEUR

La surface extérieure du four est peinte. Nettoyez l'extérieur à l'eau et au savon doux; rincez et séchez avec un linge doux. N'employez aucun produit de nettoyage de ménage ou produit abrasif.

PORTE

Essayez les deux faces de la porte avec un linge humide pour supprimer toutes éclaboussures. Les parties métalliques sont plus faciles à entretenir si elles sont essuyées souvent avec un linge humide. Éviter l'utilisation de pulvérisateur et autres nettoyants forts pour ne pas tacher, strier ou délustrer la surface de la porte.

PANNEAU TACTILE DE COMMANDE

Nettoyez le panneau avec précaution. S'il se salit, le désactiver en ouvrant la porte du four avant le nettoyage. Essayez le panneau avec un linge légèrement humecté d'eau seulement. Séchez avec un linge doux. Ne pas frotter, récurer, ni utiliser aucun produit d'entretien chimique. Utilisez le moins d'eau possible. Fermez la porte et touchez Stop/Clear.

INTÉRIEUR - APRÈS CUISSON AUX MICRO-ONDES

Le nettoyage est facile car il y a peu de chaleur dégagée sur les surfaces intérieures. De ce fait il n'y a pas de surchauffe ni de projections ou éclaboussures. Pour nettoyer les surfaces intérieures, essayez avec un chiffon doux et de l'eau chaude. **N'UTILISEZ PAS DE NETTOYANTS ABRASIFS OU FORTS, NI DE TAMPONS À RÉCURER.** Pour les salissures coriaces, utilisez du bicarbonate de soude ou du savon doux. Rincez complètement à l'eau claire. **NE PROJETEZ JAMAIS DE NETTOYANT POUR FOUR DIRECTEMENT SUR UNE PARTIE QUELCONQUE DU FOUR À MICRO-ONDES.**

INTÉRIEUR - APRÈS CUISSON PAR CONVECTION OU COMBINÉE, OU GRILLADE

Les corps gras et l'humidité peuvent laisser des éclaboussures. Lavez immédiatement à l'eau chaude savonneuse. Rincez à fond et séchez par polissage. Des salissures plus difficiles à enlever peuvent se former si le four n'est pas nettoyé scrupuleusement et en cas de cuisson prolongée ou à haute température. En pareil cas, il conviendrait d'acheter un tampon à nettoyer les fours,

déjà imbibé d'un produit liquide et destiné aux surfaces d'acier inox ou de porcelaine - et non pas un tampon à récurer, saturé de savon. Suivez soigneusement le mode d'emploi du fabricant et prenez particulièrement soin de ne pas laisser pénétrer le liquide dans les perforations des parois ni nulle part sur la porte. Rincez à fond et séchez par polissage.

Après le nettoyage complet de l'intérieur, la graisse résiduelle peut être éliminée des conduites intérieures et des éléments chauffants en faisant simplement fonctionner le four à 232° C (450° F) pendant 20 minutes sans aliments dedans. Ventilez la pièce si nécessaire.

COUVERCLE DU GUIDE D'ONDES

Lavez soigneusement toute particule d'aliment déposée sur le couvercle du guide d'ondes qui se trouve à la surface supérieure de l'intérieur du four.

DÉSODORISATION

Des odeurs de cuisine peuvent éventuellement persister dans le four. Pour les éliminer, mélangez le jus et l'écorce râpée d'un citron et quelques clous de girofle, avec une tasse d'eau dans un récipient de deux tasses. Faites bouillir quelques minutes au niveau de 100 %. Laissez refroidir dans le four. Essayez l'intérieur avec un linge doux.

PLATEAU TOURNANT/SUPPORT DE PLATEAU/GRILLES À TRÉPIED

Le plateau tournant, son support et les grilles peuvent être sortis pour faciliter leur nettoyage. Lavez-les avec une solution d'eau et détergent doux, les taches rebelles étant éliminées avec un nettoyant doux et une éponge non abrasive. Ces accessoires peuvent aussi passer au lave-vaisselle. Pour le plateau tournant utilisez l'étagère supérieure du lave-vaisselle.

Les aliments à forte acidité, comme les tomates ou citrons, peuvent provoquer une décoloration de l'émail du plateau tournant. N'y cuisez donc pas directement d'aliments acides, et en cas d'écoulements essayez-les immédiatement.

L'axe du moteur de la table tournante n'est pas étanchéifié, des excès de liquide ou des déversements ne doivent pas stagner dans cette zone.

Fiche technique

Tension d'alimentation :	Classification UL - Monophasé 120 V, 60 Hz, courant alternatif seulement Classification CSA - Monophasé 117 V, 60 Hz, courant alternatif seulement
Alimentation requise :	Classification UL - Micro-ondes 1,55 kW, 13 A Classification UL - Convection 1,55 kW, 13 A Classification CSA - Micro-ondes 1,5 kW, 13 A Classification CSA - Convection 1,5 kW, 13 A
Puissance de sortie :	
Micro-ondes*	900 watts
Chauffage à convection	1 450 watts
Fréquence :	2 450 MHz
Dimensions extérieures :	24 ⁵ / ₈ (W) x 14 ⁷ / ₈ (H) x 19 (D) po
Dimensions de la cavité :	16 ¹ / ₈ (W) x 9 ⁵ / ₈ (H) x 16 ¹ / ₈ (D) po
Capacité du four** :	1,5 pi ³ (42,5 l)
Uniformité de cuisson :	Plateau tournant, diamètre 15 ³ / ₈ po
Poids :	Environ 60 lb (27,2 kg)


* Méthode normalisée de la Commission électrotechnique internationale pour la mesure de puissance débitée. Cette méthode de mesure est largement reconnue.

** La capacité intérieure est calculée en mesurant la largeur maximale, la profondeur maximale et la hauteur maximale et en multipliant ces mesures. La contenance réelle est inférieure au résultat obtenu.

Conforme aux normes établies par :

FCC – Federal Communications Commission

DHHS – Conforme au règlement CFR Title 21 chapitre I section J du Department of Health and Human Services (DHHS)

 – Ce symbole sur la plaque signalétique signifie que le produit est homologué par Underwriters Laboratories, Inc. pour utilisation aux États-Unis ou au Canada.

SBSC – Santé et Bien-être social Canada.

Ce four à micro-ondes fait partie de la liste des produits homologués par l'Association canadienne de normalisation.

Appel de service

Vérifier ce qui suit avant de faire appel à un réparateur :

1. Placer une tasse d'eau dans un verre gradué dans le four et bien fermer la porte.

Faire fonctionner le four pendant 1 minute à puissance ÉLEVÉE 100 %.

- A Est-ce que la lumière du four est allumée?

OUI _____ NON _____

- B Est-ce que le ventilateur de cuisson fonctionne?
(Placer sa main sur l'évent à lame à l'arrière du four.)

OUI _____ NON _____

- C Est-ce que le plateau tournant tourne?
(Il est normal pour le plateau de tourner dans un sens ou dans l'autre.)

OUI _____ NON _____

- D Est-ce que l'eau est chaude?

OUI _____ NON _____

2. Enlever l'eau du four et mettre le four en route pour 5 minutes sur Convec à 450°F.

Faire fonctionner le four pendant une minute sur HIGH 100%

- A Les témoins CONV et COOK s'allument-ils?

OUI _____ NON _____

- B L'intérieur du four est-il chaud quand le four s'arrête?

OUI _____ NON _____

Si la réponse à l'une ou l'autre de ces questions est NON, vérifier la prise électrique, le fusible ou le disjoncteur. S'ils fonctionnent convenablement, COMMUNIQUER AVEC LE RÉPARATEUR AUTORISÉ LE PLUS PROCHE. Il ne faut jamais réparer un four à micro-ondes soi-même.

Remarque :

Si le temps qui apparaît dans l'affichage diminue très rapidement, vérifier le MODE DE DÉMONSTRATION à la page 26 et annuler.

Garantie du four micro-ondes

DEUX ANS DE GARANTIE COMPLÈTE

Les fours micro-ondes et toutes leurs pièces constitutives et accessoires, sauf les parties listées ci-dessous *, sont garantis être exempts de défauts dus aux matériaux ou à la main d'œuvre pour un fonctionnement normal pendant une période de deux (2) ans à partir de la date d'achat chez le revendeur. Viking Range, LLC, le garant, accepte de réparer ou remplacer, à son choix, toute partie qui tombe en panne ou qui est trouvée défectueuse durant la période de garantie.

* Les parties en verre (y compris les ampoules d'éclairage), peintes et décoratives, sont garanties être exemptes de défauts dus aux matériaux ou à la main d'œuvre pour un fonctionnement ménager normal pendant une période réduite de quatre-vingt-dix (90) jours à partir de la date d'achat chez le revendeur. **TOUT DÉFAUT DOIT ÊTRE SIGNALÉ AU REVENDEUR DANS LES QUATRE-VINGT-DIX (90) JOURS SUIVANT L'ACHAT CHEZ LUI.**

GARANTIE LIMITÉE DE CINQ ANS

Tout tube magnétron qui tomberait en panne suite à un défaut d'origine matériel ou de main d'œuvre, dans des conditions d'utilisation normales, de la seconde année à la cinquième année suivant sa date d'achat d'origine, sera réparé ou remplacé gratuitement pour le coût de la pièce elle-même, le propriétaire payant tous les autres frais dont la main d'œuvre.

Cette garantie est accordée au tout premier acheteur du produit garanti ici, et à tous acheteurs ultérieurs du produit pour la durée de cette garantie.

Cette garantie s'applique aux produits achetés et utilisés aux États-Unis et au Canada. Les produits doivent avoir été achetés dans le pays ou le service sous garantie est demandé. La main d'œuvre du dépannage doit être fournie par une agence de service agréée ou un dépositaire de Viking Range, LLC. La garantie ne pourra pas s'appliquer pour des dommages résultant d'usage abusif, d'accident, de catastrophe naturelle, de perte d'alimentation électrique vers le produit pour n'importe quelle raison, de vandalisme, d'utilisation en extérieur, d'installation incorrecte, de mise en œuvre non appropriée, d'entretien ou réparation par quiconque non habilité par une agence de service agréée ou un dépositaire de Viking Range, LLC. Cette garantie ne s'applique pas pour un usage commercial du produit. Le garant n'est pas responsable pour les dommages consécutifs ou accessoires survenant en violation des devoirs ou du contrat ou des deux. Certaines juridictions ne permettent pas l'exclusion ou la limitation pour dommages consécutifs ou accessoires, de ce fait la limitation ou exclusion ci-dessus peut ne pas être applicable pour votre cas.

Le propriétaire sera seul responsable de la conformité de l'installation, de l'apport normal de l'attention et de l'entretien, et devra fournir la preuve de son achat sur demande et laisser l'équipement raisonnablement accessible pour sa réparation. Si le produit ou un de ses composants comporte un défaut ou présente une anomalie de fonctionnement pendant sa période de garantie, après un nombre raisonnable de tentatives de résolution du problème par le garant, le propriétaire est en droit de demander un remboursement ou un remplacement de produit ou de(s) pièce(s). L'engagement du garant pour toute réclamation de toute sorte concernant le produit concerné ici ne pourra pas excéder le prix d'achat du produit lui-même.

RÉPARATION SOUS GARANTIE : Suivant les termes de cette garantie, la réparation doit être effectuée par un agent ou représentant autorisé par l'usine Viking Range, LLC. La réparation sera assurée durant les horaires de travail normaux, tout supplément pour travail effectué en dépassement d'horaire ou période spéciale ne sera pas couvert par cette garantie. Pour obtenir une réparation sous garantie, contactez le revendeur chez qui vous avez acheté le produit, ou un agent de service autorisé par Viking Range, LLC, ou Viking Range, LLC directement. Vous devrez alors fournir l'indication de modèle, le numéro de série et la date d'achat de l'appareil. Pour obtenir le nom de l'agence de service agréée par Viking Range, LLC la plus proche de chez vous, appelez le revendeur chez qui vous avez acheté, ou le service clientèle de Viking Range, LLC. **IMPORTANT :** Gardez la preuve de votre achat d'origine pour la détermination de votre droit à la garantie. Le retour de la carte d'enregistrement d'utilisateur ne conditionne pas votre garantie. Cependant veuillez la retourner de façon à ce que Viking Range, LLC puisse vous contacter si un problème de sécurité apparaissait sur ce type de produit qui vous concernerait.

Toutes garanties implicites du caractère commercialisable ou de l'adéquation à un usage particulier pour les parties décrites précédemment sont limitées à la durée contractuelle de la garantie exprimée plus haut. Certaines juridictions ne permettent pas la limitation de durée pour les garanties implicites, de ce fait la limitation ci-dessus peut ne pas être applicable pour votre cas. Cette garantie vous donne des droits légaux spécifiques, et vous pouvez peut-être avoir d'autres droits, qui peuvent varier d'une juridiction à une autre.

Viking Range, LLC
111 Front Street
Greenwood, Mississippi (MS) 38930 USA (888) 845-4641

Spécifications susceptibles d'être modifiées sans préavis
Pour plus d'informations, appelez 1-888-845-4641,
ou branchez-vous sur le site Web à l'adresse vikingrange.com





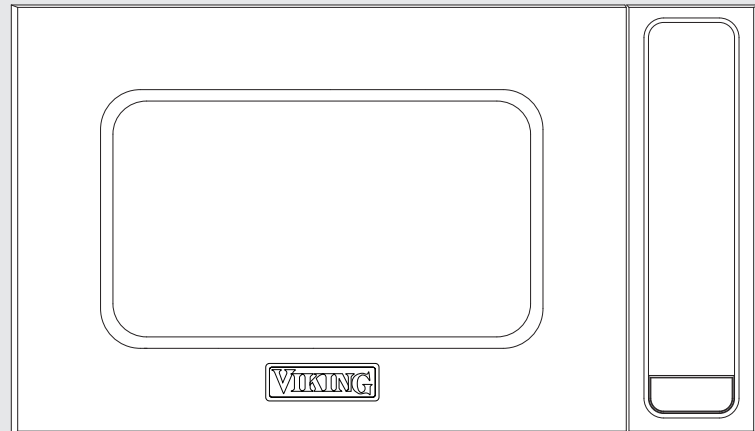
Viking Range, LLC
111 Front Street
Greenwood, Mississippi 38930 USA
(662) 455-1200

Pour plus d'informations produit
appeler 1-888-845-4641
ou visitez notre site Web
à l'adresse vikingrange.com





Instalación / Manual de Uso y Cuidado



Horno de Microonda
de la Convección
VMOC506





Información de servicio

Si se necesita servicio:

1. Llame a su agencia de servicio autorizada.
2. Debe tener disponible la siguiente información:
 - a. Número de modelo
 - b. Número de serie
 - c. Fecha de compra
 - d. Nombre del distribuidor al que le realizó la compra
3. Describa claramente el problema que tiene.

Si no puede obtener el nombre de una agencia de servicio autorizada o si continúa teniendo un problema de servicio, comuníquese con Viking Range, LLC (888) 845-4641 o escriba a:

VIKING RANGE, LLC
 PREFERRED SERVICE
 111 Front Street
 Greenwood, Mississippi (MS) 38930 USA

Coloque la información que se indica a continuación. Será necesaria si alguna vez requiere del servicio. El número de modelo y de serie de su horno microondas se encuentra en la etiqueta de identificación al lado izquierdo de la cavidad del horno microondas.

Número de modelo _____ Fecha de compra _____

Número de serie _____ Fecha de instalación _____

Nombre del distribuidor _____

Dirección _____

Si el servicio requiere de instalación de partes, use sólo las partes autorizadas para garantizar la protección bajo la garantía.

CONSERVE ESTE MANUAL PARA REFERENCIA FUTURA



Tabla de contenido

2 INFORMACIÓN DE SERVICIO	18 Sensor Cook (Cocinado según Sensor)
3 TABLA DE CONTENIDO	18 Tabla de Sensor Cook
3 PRECAUCIONES PARA EVITAR POSIBLES EXPOSICIONES AL EXCESO DE ENERGÍA DEL MICROONDAS	19-21 OPERACIÓN AUTOMÁTICA DE CONVECCIÓN
4 INSTRUCCIONES DE SEGURIDAD IMPORTANTES	19 Convec Broil (Asado a la parrilla por Convección)
5 INSTALLATION INSTRUCTION	19 Tabla de Convec Broil
6 INSTRUCCIONES PARA CONEXIÓN A TIERRA	20 Convec Roast (Asado al horno por Convección)
7-10 INFORMACIÓN QUE DEBE CONOCER	20 Tabla de Convec Roast
7 Sobre su horno microondas	21 Convec Bake (Horneado por Convección)
7 Sobre los niños y el horno microondas	21 Tabla de Convec Bake
7 Acerca de la seguridad	22-24 COCINADO MANUAL POR CONVECCIÓN Y MEZCLA AUTOMÁTICA
8 Acerca de la cocción por microondas	22-23 Cocinado por convección
8 Sobre los alimentos	22 Para cocinar con convección
9-10 Acerca de utensilios y cubiertas	22 Para precalentar y cocinar con convección
11-12 NOMBRES DE PIEZAS	22 Broil (Asado a la parrilla)
11 Partes del horno microonda	23 Slow cook (cocinado lento)
11 Accesorios	23-24 Cocinado de mezcla automática
12 Panel de control	23 Para cocinar con mezcla automática
13 ANTES DE LA OPERACIÓN	23 Para precalentar y cocinar con mezcla automática
13 Para ajustar el reloj	24 Recomendaciones útiles para el cocinado por convección y mezcla automática
13 Stop/Clear (Detención/Cancelación)	25-26 OTRAS FUNCIONES CONVENIENTES
14 OPERACIÓN MANUAL	25 Cocinado en secuencia múltiple
14 Cocinado según tiempo	25 Ajuste de más o menos tiempo
14 Para ajustar el nivel de potencia	25 Add-a-minute (Agregar 1 minuto)
14 Descongelamiento manual	25-26 Help (Ayuda - tecla de control)
15-18 FUNCIONES DEL HORNO MICROONDAS	26 Modo de demostración
15 Defrost (Descongelamiento)	26 Timer (Cronómetro)
16 Cocinado según sensor	26 Touch On (Encendido durante toque)
16 Reheat (recalentamiento)	26 Help (Ayuda - indicador en pantalla)
16 Popcorn (palomitas de maíz)	27 LIMPIEZA Y CUIDADO
17 Tabla de Sensor	28 ESPECIFICACIONES
	29 REVISIÓN PARA SOLICITUD DE SERVICIO
	30 GARANTÍA DEL HORNO MICROONDAS

PRECAUCIONES PARA EVITAR POSIBLES EXPOSICIONES AL EXCESO DE ENERGÍA DEL MICROONDAS

- No trate de operar este horno con la puerta abierta ya que la operación puede provocar una exposición perjudicial a la energía del microondas. No altere o manipule indebidamente los interbloques de seguridad.
- No coloque ningún objeto entre la parte frontal del horno y la puerta ni deje que se acumule restos de limpiadores o suciedad en las superficies de sellado.
- No opere el microondas si tiene daños. Es muy importante que la puerta del horno se cierre correctamente y que no hayan daños en: (1) puerta (doblada), (2) bisagras y pestillos (dañados o sueltos), (3) sellos de la puerta y superficies de sellado.
- El horno sólo debe ser ajustado o reparado por el personal de servicio calificado apropiado.

INSTRUCCIONES DE SEGURIDAD IMPORTANTES

Al usar artefactos eléctricos deben tomarse precauciones de seguridad básicas, incluyendo las siguientes:

ADVERTENCIA - Para reducir el riesgo de quemaduras, choque eléctrico, incendios, lesiones a personas o exposición al exceso de energía del microondas:

1. Lea todas las instrucciones antes de usar el artefacto.
2. Lea y siga la sección específica "PRECAUCIONES PARA EVITAR LA POSIBLE EXPOSICIÓN AL EXCESO DE ENERGÍA DEL MICROONDAS" en la página 3.
3. Este electrodoméstico debe ser conectado a tierra. Conéctela únicamente a un tomacorriente puesto a tierra adecuadamente. Vea "INSTRUCCIONES DE CONEXIÓN ELÉCTRICA A TIERRA" en la página 6.
4. Instale o ubique este aparato sólo de acuerdo con las instrucciones de instalación suministradas.
5. Algunos productos tales como huevos con cascarrón y recipientes sellados — por ejemplo, recipientes de vidrio cerrados — podrían explotar y no deben calentarse en este horno microondas.
6. Utilice este aparato sólo para el uso pretendido que se describe en este manual. No utilice vapores o químicos corrosivos en este aparato. Este tipo de horno microondas está diseñado específicamente para calentar, cocinar o descongelar alimentos. No está diseñado para uso industrial o de laboratorios.
7. Como con cualquier aparato, se requiere supervisión estricta de un adulto cuando va a ser utilizado por niños.
8. No opere este aparato si está dañado el enchufe o el cable, si el aparato no está operando adecuadamente, o si el aparato ha sido dañado o se ha caído.
9. Este aparato sólo debe recibir servicio por parte de personal de servicio calificado. Comuníquese con el Centro de Servicio Autorizado más cercano para revisión, reparación o ajuste.
10. No cubra ni bloquee ninguna abertura del aparato.
11. No almacene ni utilice este aparato en lugares exteriores. No utilice este producto cerca del agua — por ejemplo, cerca del fregadero de la cocina, en un sótano húmedo o cerca de una piscina, o lugares similares.
12. No sumerja en agua el cable o el enchufe.
13. Mantenga alejado el cable de superficies calientes.
14. No permita que el cable cuelgue de la mesa o estante donde se encuentra ubicado el horno.
15. Vea las instrucciones para limpiar la superficie de la puerta en la página 27.
16. Para reducir el riesgo de incendios en la cavidad del horno microondas:
 - a. No cocine demasiado los alimentos. Esté atento cuando se coloquen papeles, plástico o cualquier material combustible dentro del horno microondas para facilitar la cocción.
 - b. Retire los lazos de alambre de las bolsas de papel o plásticas antes de colocarlas en el horno.
 - c. **Si los materiales dentro del horno microondas empiezan a arder, mantenga cerrada la puerta del horno, apáguelo y desconecte el cable de alimentación o desconecte la energía en la caja de fusibles o en el panel del interruptor automático.**
 - d. No use la cavidad para almacenar objetos. No deje productos de papel, utensilios de cocina o alimentos en la cavidad cuando no lo use.
17. Los líquidos, como agua, café o té pueden sobrecalentarse más allá del punto de ebullición sin que pueda notarse que están hirviendo. No siempre habrá burbujas o vapor de ebullición visibles al retirar el recipiente del horno microondas. ESTO PUEDE CAUSAR UN DERRAME IMPREVISTO DE LÍQUIDOS DEMASIADO CALIENTES AL INTRODUCIR UNA CUCHARA U OTRO UTENSILIO EN EL LÍQUIDO.

Para reducir el riesgo de lesiones a personas:

 - a. No sobrecaliente el líquido.
 - b. Revuelva el líquido antes y a la mitad del calentamiento.
 - c. No use un recipiente de paredes rectas y boca angosta. Use un recipiente de boca ancha.
 - d. Después de calentar, deje el recipiente en el horno microondas por lo menos 20 segundos antes de retirarlo.
 - e. Use extremo cuidado cuando coloque una cuchara u otro utensilio en el recipiente
18. Si el horno microondas va a ser empotrado, siga las siguientes instrucciones:
 - a. No debe montarse sobre un fregadero.
 - b. No almacene nada directamente encima de la superficie del artefacto cuando el artefacto se encuentre en operación.
19. Si la luz del horno microondas no funciona, consulte al PERSONAL DE SERVICIO AUTORIZADO.

GUARDE ESTAS INSTRUCCIONES

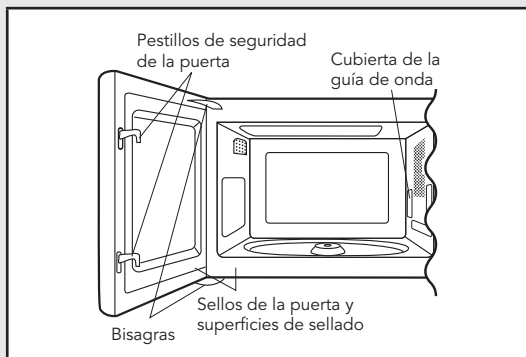


Instrucciones de instalación

DESEMPAQUE Y EXAMEN DE SU HORNO MICROONDAS

Retire los materiales de empaque que están dentro de la cavidad del horno microondas; sin embargo, **NO RETIRE LA CUBIERTA DE LA GUÍA DE ONDA** que se encuentra en la pared derecha de la cavidad. Lea los anexos y **GUARDE** el Manual de instalación / uso y cuidado.

Revise que el horno no tenga daños como puertas torcidas o mal alineadas, sellos de puerta y superficies de sellado dañados, bisagras y pestillos rotos o flojos y abolladuras en la cavidad o en la puerta. Si encuentra algún daño, no opere el horno y comuníquese con su distribuidor o **PERSONAL DE SERVICIO AUTORIZADO**.



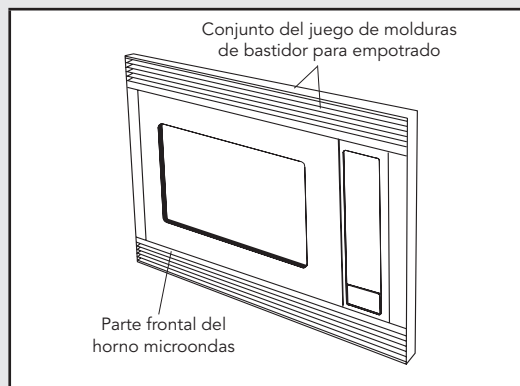
ESCOGER UNA UBICACIÓN

Elección de una ubicación para su horno microondas en el mostrador

Usted utilizará frecuentemente el horno microondas, por lo tanto planee su ubicación para facilidad de uso. Se recomienda, si es posible, dejar espacio de mesa en uno de los lados del horno microondas. Deje como mínimo 2 pulgadas en los lados, en la parte superior y en la parte trasera del horno microondas, para circulación del aire.

Elección de una ubicación para su horno microondas empotrado

Su microondas puede ser construido en un gabinete o la pared por sí mismo o encima de horno eléctrico de pared o el calentamiento del cajón.



Instrucciones para conexión a tierra

Este electrodoméstico debe ser conectado a tierra. Este horno microondas está equipado con un cable que tiene un alambre de tierra y un enchufe con toma a tierra. Éste se debe conectar en un tomacorriente de pared instalado y conectado a tierra apropiadamente de acuerdo con el Código Eléctrico Nacional y los códigos y reglamentos locales. En caso que se produzca un cortocircuito eléctrico, la conexión a tierra reduce el riesgo de descarga eléctrica proporcionando una vía de escape para la corriente eléctrica.

ADVERTENCIA - El uso inapropiado del enchufe con conexión a tierra puede causar una descarga eléctrica.

REQUISITOS ELÉCTRICOS

Los requisitos eléctricos son 120 voltios, 60 Hz, sólo CA, 15 amperios o más de suministro protegido de electricidad. Se recomienda un circuito por separado que sea sólo para este electrodoméstico.

El horno microondas está equipado con un enchufe con toma a tierra de tres clavijas. Éste se debe enchufar en un receptáculo de pared instalado y conectado a tierra apropiadamente. Si sólo tiene un tomacorriente de 2 clavijas, un electricista calificado debe realizar la instalación de un receptáculo de pared apropiado.

Puede adquirir un adaptador de 3 clavijas y usarlo temporalmente si los códigos locales lo permiten. Siga las instrucciones del empaque.

Un cable corto de suministro de energía viene incluido para prevenir enredarse o tropezar con un cable más largo.

CABLE DE EXTENSIÓN

Si fuese necesario usar un cable de extensión, use sólo un cable de extensión de 3 alambres que tenga un enchufe con toma a tierra de 3 clavijas y un receptáculo de 3 muescas que se adapte al enchufe del horno microondas. La capacidad indicada del cable de extensión debe de ser de 115-120 voltios CA, 15 amperios o más.

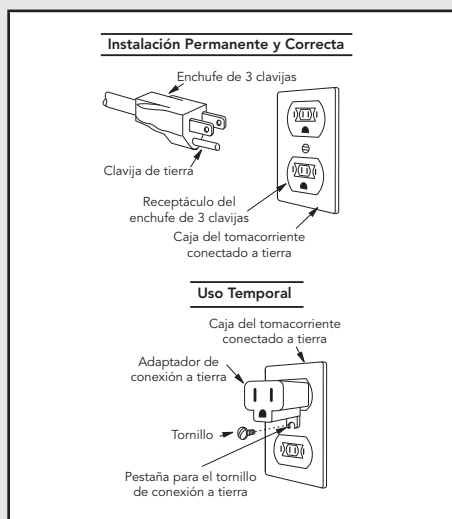
Debe tener cuidado de no colocar el cable sobre el mostrador o mesa de donde los niños podrían jalarlo o tropezarse con éste accidentalmente.

Notas:

1. Si tiene alguna pregunta sobre las instrucciones eléctricas o de conexión a tierra, consulte a un electricista calificado o al encargado de brindar el servicio.
2. Viking Range, LLC y el distribuidor no aceptan ninguna responsabilidad por los daños al horno microondas o las lesiones personales causadas por no seguir los procedimientos de conexión eléctrica correctos.

INTERFERENCIA DE RADIO O TELEVISIÓN

Si hay interferencia causada por el horno microondas en su radio o TV, revise que el horno tenga un circuito eléctrico distinto, aleje la radio o TV del horno microondas lo más que pueda o revise la posición y señal de la antena de recepción.



Información que debe conocer

SOBRE SU HORNO MICROONDAS

Este Manual de instalación / uso y cuidado es valioso: léalo detalladamente y guárdelo para futura referencia.

Un buen libro de cocina para microondas es muy útil. Consúltelo sobre principios, técnicas, sugerencias y recetas de cocina en microondas.

NUNCA use el horno microondas sin el plato giratorio ni el soporte ni dé vuelta al plato giratorio para colocar un plato grande en el horno. El plato giratorio girará en sentido horario y antihorario.

SIEMPRE coloque alimentos dentro del horno microondas durante su operación para que absorban la energía del microondas.

Al usar el horno microondas con niveles de potencia por debajo del 100%, usted podría escuchar que el magnetrón se enciende y apaga. Es normal que la parte exterior del horno microondas esté caliente al tacto cuando cocina o recalienta.

La condensación es una parte normal de la cocción con microondas. La humedad ambiental y la humedad en la comida influirán en la cantidad de humedad que se condense en el horno microondas. Generalmente, los alimentos cubiertos no producirán tanta condensación como los no cubiertos. Las ranuras de ventilación en la parte trasera del horno microondas no deben ser bloqueadas.

El uso del microondas se limita únicamente a la preparación de los alimentos. No debe usarse para secar ropa o periódicos.

Su horno microondas tiene una capacidad de 900 vatios clasificados con el Procedimiento de prueba IEC. Al seguir instrucciones de recetas o de productos envasados, verifique los alimentos uno o dos minutos antes del tiempo mínimo y aumente tiempo según corresponda.

SOBRE LOS NIÑOS Y EL HORNO MICROONDAS

Los niños menores de 7 años deben usar el horno microondas bajo la supervisión cercana de un adulto. En el caso de los niños entre 7 y 12 años, la persona que los supervisa debe estar en la misma habitación.

El niño debe alcanzar el horno microondas de manera cómoda; en caso contrario, debe usar un banco firme.

No se debe permitir nunca que nadie se apoye o se cuelgue de la puerta del horno microondas.

Los niños deben conocer todas las precauciones de seguridad: usar agarraderas, retirar las cubiertas con cuidado, prestar mucha atención a los paquetes que aprieten los alimentos, ya que podrían estar muy calientes.

No asuma que un niño/niña puede cocinar de todo sólo porque aprendió una técnica de cocción.

Los niños deben aprender que el horno microondas no es un juguete. Vea la página 25 para consultar la función de Bloqueo a prueba de niños.

ACERCA DE LA SEGURIDAD

- Verifique que la cocción de los alimentos se realice de acuerdo a las temperaturas recomendadas por el Departamento de Agricultura de los EE.UU.

Para verificar la cocción, introduzca un termómetro para carne en un área gruesa o densa lejos de la grasa y el hueso. NUNCA deje el termómetro en los alimentos durante la cocción, a menos que sea aprobado para uso en horno microondas.

TEMPERATURA	ALIMENTO
160°F (71°C)	...para platos con cerdo fresco, carne molida, carne blanca de ave deshuesada, pescado, mariscos, huevos y alimentos preparados congelados.
165°F (74°C)	...para sobrantes, alimento refrigerado listo para recalentar y platos preparados y comida "lista" para llevar.
170°F (77°C)	...carne blanca de ave.
180°F (82°C)	...carne oscura de ave.

- SIEMPRE use una agarradera para prevenir quemaduras al manipular utensilios que están en contacto con los alimentos calientes. El calor de los alimentos puede transferirse a través de los utensilios causando quemaduras en la piel.
- Evite las quemaduras causadas por el vapor dirigiéndolo lejos de su rostro y manos. Levante lentamente el borde más alejado de la cubierta de un plato y abra con cuidado las bolsas de palomitas de maíz y las bolsas especiales para cocinar en horno microondas apartándolas de su rostro.
- Permanezca cerca del horno microondas durante su uso y verifique con frecuencia el progreso de la cocción para que los alimentos no se cocinen demasiado.
- NUNCA use la cavidad para guardar libros de cocina u otros artículos.
- Seleccione, almacene y manipule los alimentos con cuidado para conservar su alta calidad y minimizar la propagación de bacterias.
- Conserve limpia la cubierta de la guía de onda. Los residuos de alimentos pueden producir arcos eléctricos o incendios.
- Tenga cuidado al retirar los alimentos del horno microondas para que los utensilios, su ropa o accesorios no toquen los pestillos de seguridad de la puerta.
- Mantenga el papel de aluminio que usa para cubrir los alimentos al menos a 2.5 cm. (1 pulgada) de las paredes, techo y puerta del horno microondas.

Información que debe conocer

ACERCA DE LA COCCIÓN POR MICROONDAS

- Acomode la comida cuidadosamente. Coloque las áreas más delgadas hacia la parte exterior del plato.
- Vigile el tiempo de cocinado (cocción). Cocine durante el tiempo más corto indicado y agregue tiempo si es necesario. Los alimentos sobrecocinados severamente pueden producir humo o encenderse.
- Cubra los alimentos mientras se cocinan. Consulte la receta o el libro de cocina en busca de sugerencias: toallas de papel, papel encerado, plástico para microondas. Las cubiertas evitan salpicaduras y ayudan a cocinar el alimento uniformemente.
- Cubra con pedazos pequeños de papel aluminio las áreas delgadas de carne o pollo para evitar su cocinado excesivo antes que las áreas gruesas se cocinen completamente.
- Revuelva los alimentos de afuera hacia el centro del plato una o dos veces durante el cocinado, si es posible.
- Voltee los alimentos una (1) vez durante el cocinado con microondas para acelerar el cocinado de alimentos tales como el pollo y las hamburguesas. Los pedazos

muy grandes como los trozos de carne para asar deben voltearse por lo menos una vez.

- Reacomode los alimentos tales como albóndigas a la mitad del cocinado, de arriba hacia abajo y del centro hacia afuera del plato.
- Agregue tiempo de reposo. Retire el alimento del horno microondas y revuélvalo, si es posible. Cubra durante el tiempo de reposo, lo que permite que el alimento se termine de cocinar sin cocinarse en exceso.
- Verifique que se ha completado el cocinado. Busque los signos que indican que se han alcanzado la temperatura de cocinado.

Los signos que indican que el cocinado se ha completado son:

- El alimento produce vapor por todos lados, no sólo en el borde.
- La parte central inferior del plato está muy caliente al tocarse.
- Las articulaciones del muslo del pollo se mueven fácilmente.
- La carne y el pollo no están rosados.
- El pescado está opaco y se rebana fácilmente con un tenedor.

SOBRE LOS ALIMENTOS

ALIMENTO	LO QUE DEBE HACER	LO QUE NO DEBE HACER
Huevos, salchichas, frutos secos, semillas, frutas y vegetales	<ul style="list-style-type: none"> • Perfore las yemas del huevo antes de cocinarlo para evitar una "explosión". • Haga pequeños agujeros en la piel de las papas, manzanas, zapallos, hot dogs y salchichas para liberar el vapor. 	<ul style="list-style-type: none"> • Cocinar los huevos con cáscara. • Recalentar los huevos enteros. • Deshidratar nueces o semillas con cáscara.
Palomitas de maíz	<ul style="list-style-type: none"> • Use palomitas de maíz empacadas en una bolsa especial para cocinarlas en el microondas. • Escuche mientras las palomitas revientan para saber si hay una demora de 1 o 2 segundos o use una almohadilla especial para palomitas de maíz. 	<ul style="list-style-type: none"> • Cocinar palomitas de maíz en bolsas de papel común o en tazones de vidrio. • Exceder el tiempo máximo que indica el paquete de las palomitas de maíz.
Alimentos para bebés	<ul style="list-style-type: none"> • Transfiera los alimentos del bebé a un plato pequeño y caliéntelos con cuidado, revolviendo con frecuencia. Verifique en su muñeca la temperatura antes de servir. • Coloque las tetinas en las botellas después de calentarlas y sacúdalas bien. Verifique la temperatura usted mismo antes de alimentar al bebé. 	<ul style="list-style-type: none"> • Calentar botellas desechables. • Calentar las botellas con las tetinas puestas. • Calentar los alimentos del bebé en sus frascos originales.
General	<ul style="list-style-type: none"> • Corte los alimentos horneados con relleno después de calentarlos para liberar el vapor y prevenir las quemaduras. • Revuelva bien los líquidos antes, durante y después de calentar para evitar "erupciones". • Use un tazón profundo al cocinar líquidos o cereales para evitar que rebosen. 	<ul style="list-style-type: none"> • Calentar o cocinar en frascos de vidrio cerrados o en recipientes herméticos. • Preparar conservas o mermeladas en el microondas ya que las bacterias dañinas podrían no ser destruidas. • Freír en aceite. • Secar madera, calabazas, hierbas o papeles húmedos.

Información que debe conocer

ACERCA DE UTENSILIOS Y CUBIERTAS

No es necesario comprar nuevos utensilios de cocina. Muchos elementos que ya están en su cocina pueden utilizarse exitosamente en su nuevo horno de microondas y convección. La siguiente tabla le ayudará a decidir qué utensilios y cubiertas deben utilizarse en cada modo.

UTENSILIOS Y CUBIERTAS	SÓLO MICROONDAS	ASADO A LA PARRILLA POR CONVECCIÓN, COCINADO LENTO	MEZCLA / ASADO AL HORNO, ALTA MEZCLA / HORNEADO, BAJA
Papel aluminio	Sí. Pueden utilizarse pedazos pequeños de papel aluminio colocados uniformemente sobre el alimento para cubrir áreas contra el cocinado o descongelamiento demasiado rápido. Mantenga el papel aluminio a una distancia mínima de 1 pulgada de las paredes del horno.	Sí. Para cubrimiento.	Sí. Para cubrimiento.
Recipientes de aluminio	Sí. Pueden utilizarse si están llenos con alimento hasta un nivel de 3/4. Mantenga a una distancia de 1 pulgada de las paredes y no cubra con papel aluminio.	Sí. Asado a la parrilla – Sin cubierta	Sí. Pueden utilizarse si están llenos con alimento hasta un nivel de 3/4. Mantenga a una distancia de 1 pulgada de las paredes y no cubra con papel aluminio.
Bandeja para brownings	Sí. No exceda el tiempo de precalentamiento recomendado. Siga las instrucciones del fabricante.	No	No
Cerámica de vidrio (Pyroceram®)	Sí. Excelente.	Sí. Excelente.	Sí. Excelente.
Vidrio, resistente al calor	Sí. Excelente.	Sí. Excelente.	Sí. Excelente.
Vidrio, no resistente al calor	No	No	No
Tapas, vidrio	Sí	Sí. Asado a la parrilla – Sin cubierta	Sí
Tapas, metálicas	No	Sí. Asado a la parrilla – Sin cubierta	No
Utensilios metálicos	No	Sí	Sí. No utilice cubierta metálica.
Misceláneos metálicos: platos con borde metálico, tornillos, abrazaderas, manijas. Amarres metálicos	No	No	No
Bolsas para cocinado en horno	Sí. Bueno para alimentos o carnes grandes que deben ablandarse. NO utilice amarres metálicos.	Sí. Asado a la parrilla – Sin cubierta	Sí. NO utilice amarres metálicos.
Platos de papel	Sí. Para recalentamiento	No	No
Toallas de papel	Sí. Para cubrir para recalentamiento y cocinado. No utilice toallas de papel reciclado las cuales pueden contener	No	No

Información que debe conocer

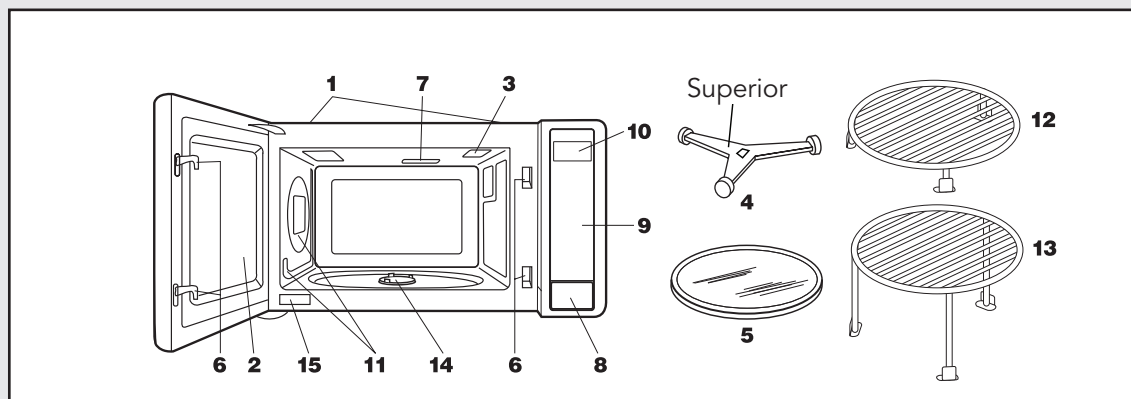
UTENSILIOS Y CUBIERTAS	SÓLO MICROONDAS	ASADO A LA PARRILLA POR CONVECCIÓN, COCINADO LENTO	MEZCLA / ASADO AL HORNO, ALTA MEZCLA / HORNEADO, BAJA
Papel, horneable	Sí	Sí. Para temperaturas de hasta 400°F. No utilice para asar a la parrilla.	Sí. Para temperaturas de hasta 400°F.
Recipientes plásticos seguros para microondas	Sí. Utilice para recalentar y descongelar. Algunos plásticos seguros para microondas no son adecuados para cocinar alimentos con alto contenido de grasa y azúcar. Siga las instrucciones del fabricante.	No	No
Microwave-safe plastic containers	Sí. Use for reheat-ing and defrosting. Some microwave-safe plastics are not suitable for cooking foods with high fat and sugar content. Follow manufacturer's directions.	No	No
Plásticos, Thermoset®	Sí	Sí. Son resistentes al calor hasta 425°F. No utilice para asar a la parrilla.	Sí
Envoltura plástica	Sí. Utilice marcas especialmente marcadas para uso con microondas. NO permita que la envoltura plástica toque los alimentos. Desfogue de manera que el vapor pueda escapar.	No	No
Cerámica, objetos de porcelana	Sí. Verifique la recomendación del fabricante con respecto a que sea seguro para microondas.	Sí	Sí. Debe ser seguro para microondas Y horneable.
Estiroespuma	Sí. Para recalentamiento.	No	No
Papel encerado	Sí. Buen cubrimiento para cocinar y recalentar.	No	No
Mimbre, madera, paja	Sí. Puede utilizarse durante cortos periodos de tiempo. No utilice con alimentos con alto contenido de grasa o azúcar. Podrían chamuscarse.	No	No

VERIFICACIÓN DE PLATOS - Si desea verificar si un plato es seguro para cocinar con hornos microondas, coloque el plato vacío en el horno y opere el microondas en HIGH (ALTO) durante 30 segundos. Si el plato se calienta demasiado, NO lo utilice para cocinar con horno microondas.

ACCESORIOS - Hay disponibles para compra muchos accesorios para microondas. Evalúe cuidadosamente antes de comprar de modo que satisfagan sus necesidades. Un termómetro seguro para microondas le ayudará a determinar el completamiento correcto del cocinado y le asegura que los alimentos han sido cocinados a temperaturas seguras cuando se utiliza el cocinado por sólo microondas. Viking Range, LLC no es responsable de ningún daño al horno cuando se utilizan accesorios.

Nombres de piezas

PARTES DEL HORNO MICROONDAS



1. Aberturas de ventilación.
(Lado posterior).
2. Puerta del horno con ventana transparente.
3. Lámpara del horno.
Se enciende cuando se abre la puerta del horno o mientras el horno está en operación.
4. Soporte de la bandeja giratoria
5. Bandeja giratoria removible.
La bandeja giratoria gira en sentido horario o en sentido antihorario.
6. Cerrojos de seguridad de la puerta.
El horno no operará a menos que la puerta esté cerrada firmemente.
7. Cubierta de la guía de ondas:
NO RETIRAR ESTA PIEZA.
8. Botón para apertura de puerta.
9. Panel de Control "Auto-Touch".
10. Pantalla digital iluminada
11. Aberturas para el aire de convección
12. Parrilla baja removible
(Parrilla para asado a la parrilla)
13. Parrilla alta removible
(parrilla para horneado)
14. Eje motor para la bandeja giratoria.
15. Placa con número de serie

ACCESORIOS

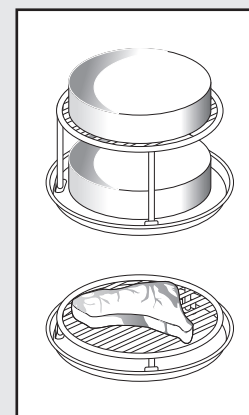
Los siguientes accesorios están diseñados especialmente para uso en este horno sólo para cocinado por convección, mezcla o asado a la parrilla. NO UTILICE PARA COCINADO POR SOLO MICROONDAS. No sustituya estas parrillas diseñadas especialmente por tipos similares de parrillas.

Parrilla alta (parrilla para horneado) – para convección, y mezcla de convección y microondas de potencia baja.

- Esta parrilla se coloca sobre la bandeja giratoria para cocinado de dos niveles, tales como pasteles de capas, panecillos, etc.

Parrilla baja (parrilla para asado a la parrilla) – para convección, asado a la parrilla o mezcla de convección y microondas de potencia alta.

- Coloque sobre la bandeja giratoria y utilice para asar al horno o asar a la parrilla para permitir que los jugos salgan del alimento.



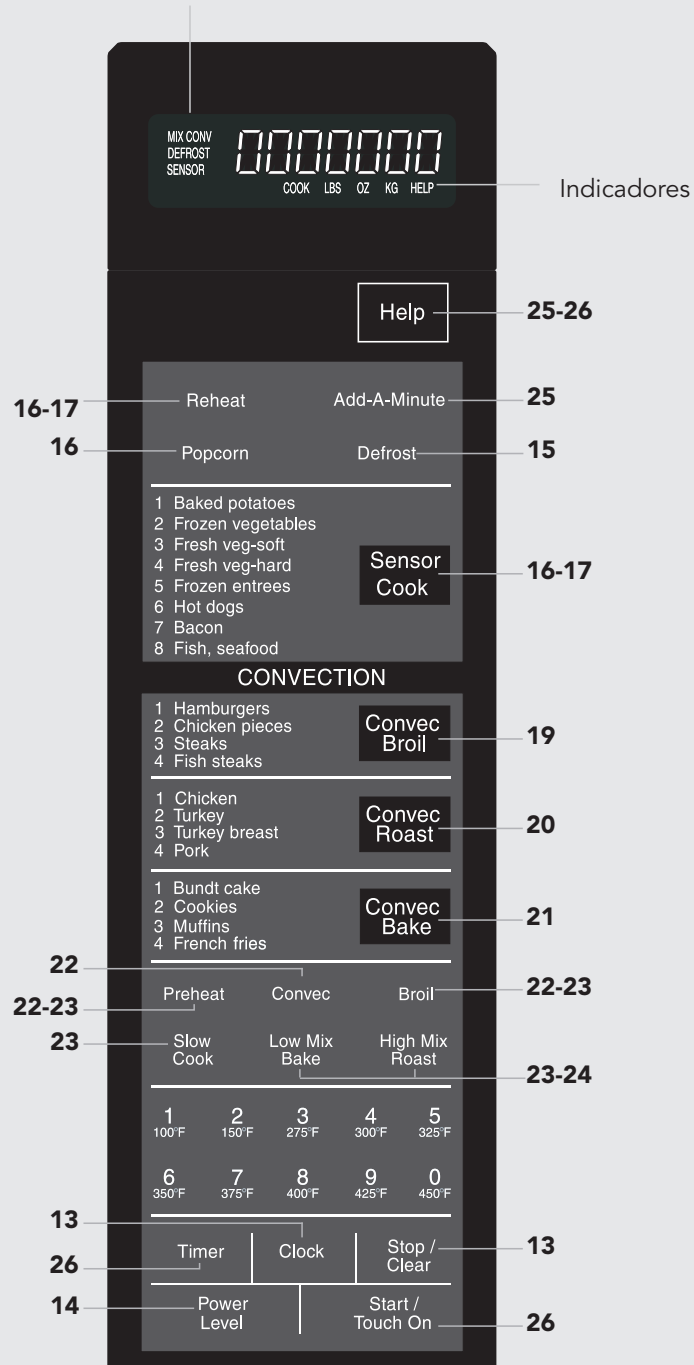


Nombres de piezas

PANEL DE CONTROL

Se iluminarán palabras en la pantalla interactiva para indicar funciones e instrucciones de cocinado.

Controles del producto



El número al lado de la ilustración del panel de control indica las páginas en las cuales hay descripciones de la función e información útil.





Antes de la operación

- Antes de operar su nuevo horno microondas, asegúrese de leer y entender completamente este Manual de Instalación, Uso y cuidado.
- Antes de poder utilizar el horno microondas, siga este procedimiento:
 1. Enchufe el horno microondas. Cierre la puerta. La pantalla del horno microondas mostrará WELCOME PRESS CLEAR AND PRESS CLOCK.
 2. Toque la tecla Stop/Clear. Aparecerá : .
 3. Ajuste el reloj.

PARA AJUSTAR EL RELOJ

1. Toque la tecla Clock.
2. Ingrese la hora correcta del día tocando los números en secuencia. Toque nuevamente la tecla Clock.

Éste es un reloj de 12 horas. Si usted intenta ingresar una hora incorrecta, aparecerá un mensaje de ERROR en la pantalla. Toque la tecla Stop/Clear re-ingrese la hora.

- Si se interrumpe el suministro de energía eléctrica hacia el horno microondas, la pantalla mostrará intermitentemente WELCOME PRESS CLEAR AND PRESS CLOCK después de restaurarse la energía. Si esto ocurre durante el cocinado, el programa se borrará. La hora del día también se borrará. Simplemente toque Stop/Clear y re-ajuste el reloj según la hora del día.

STOP/CLEAR (DETENCIÓN/CANCELACIÓN)

Toque la tecla Stop/Clear para:

1. Borrar si usted ha cometido un error durante la programación.
2. Cancelar el temporizador.
3. Parar el horno microondas temporalmente durante el cocinado.
4. Regresar la hora del día a la pantalla.
5. Cancelar un programa durante la cocción, toque dos veces.



Operación manual

COCINADO SEGÚN TIEMPO

Su horno microondas puede programarse para 99 minutos y 99 segundos (99.99). Siempre ingrese los segundos después de los minutos, aún si ambos son ceros.

- Sponga que desea cocinar durante 5 minutos al 100%.
1. Ingrese el tiempo de cocinado tocando las teclas de número **5 0 0**.
 2. Touque la tecla Start/Touch On.

PARA AJUSTAR EL NIVEL DE POTENCIA

Hay 11 niveles de potencia pre-ajustados.

Al utilizar niveles de potencia menores se aumenta el tiempo de cocinado, lo cual se recomienda para alimentos tales como queso, leche y cocinado lento largo de carnes. Consulte el libro de cocina o recetas para obtener recomendaciones específicas.

TOQUE UNA VEZ LA TECLA "POWER LEVEL" Y LUEGO TOQUE	PORCENTAJE APPROXIMADO DE POTENCIA	PALABRAS COMUNES PARA LOS NIVELES DE POTENCIA
Power Level	100%	Alto
9	90%	
8	80%	
7	70%	Medio Alto
6	60%	
5	50%	Medio
4	40%	
3	30%	Med bajo/ Descongelación
2	20%	
1	10%	Bajo
0	0%	

- Sponga que usted desea descongelar durante 5 minutos al 30%.

1. Ingrese el tiempo de descongelamiento tocando las teclas de número **5 0 0**.
2. Touque la tecla Power Level y el número **3**.
3. Touque la tecla Start/Touch On.

Usted puede programar hasta 4 secuencias automáticas de cocinado. Siga las instrucciones en la página 25. Observe que debe ingresarse primero el Nivel de Potencia cuando se programan secuencias múltiples.

DESCONGELAMIENTO MANUAL

Si el alimento que usted desea descongelar no está listado en la TABLA DE DEFROST o está por encima o debajo de los límites en la columna de Cantidad en la TABLA DE DEFROST, usted debe descongelar manualmente.

Usted puede descongelar cualquier alimento congelado, ya sea crudo o cocinado previamente, utilizando el Nivel de Potencia 3. Siga el procedimiento de 3 pasos que se encuentra bajo el título "Cocinado según Tiempo". Estime el tiempo de descongelamiento y presione **3** para 30% cuando usted selecciona el nivel de potencia.

Ya sea para alimentos congelados crudos o alimentos congelados previamente cocinados, la regla básica es 5 minutos por libra, aproximadamente. Por ejemplo, descongele durante 5 minutos para 1 libra de salsa de espaguetis congelada.

Siempre detenga periódicamente el horno para remover o separar las porciones que están descongeladas. Si el alimento no está descongelado al final del tiempo de descongelamiento estimado, programe el horno en incrementos de 1 minuto en Nivel de Potencia 3 hasta descongelar totalmente el alimento.

Cuando se utilizan recipientes de plástico del congelador, descongele solo lo suficiente para retirar del plástico y colocar en un recipiente seguro para microondas.

Funciones del horno microondas

DEFROST (DESCONGELAMIENTO)

La función de descongelamiento descongela automáticamente los alimentos mostrados en la Tabla de Descongelamiento.

- Suponga que usted quiere descongelar un filete de carne de 2.0 libras:

1. Toque una vez la tecla Defrost.
2. Seleccione el alimento deseado tocando la tecla Defrost hasta que la pantalla muestre el nombre del alimento. Ej.: toque dos veces para filete de carne.
3. Ingrese el peso tocando las teclas de número **2|0**.
4. Toque la tecla Start/Touch On.

El horno se detendrá y se mostrarán las instrucciones. Siga el mensaje indicado.

5. Después de la 1ª etapa, abra la puerta. Voltee el filete de carne y cubra cualquier porción tibia. Cierre la puerta. Toque la tecla Start/Touch On.

6. Después de la 2ª etapa, abra la puerta. Cubra cualquier porción tibia. Cierre la puerta. Toque la tecla Start/Touch On.
7. Después que termina el ciclo de descongelamiento, cubra y deje en reposo según se indica en la siguiente tabla.

Nota:

1. Si usted intenta ingresar más o menos cantidad que la cantidad permitida indicada en la tabla, aparecerá en pantalla un mensaje de error.
2. El descongelamiento puede programarse con el Ajuste de Más o Menos Tiempo. Véase la página 25.
3. Para descongelar otros alimentos o alimentos que están por encima o debajo de los pesos permitidos en la Tabla de Descongelamiento, véase Descongelamiento Manual en la página 14.

TABLA DE DEFROST

ALIMENTO	CANTIDAD	PROCEDIMIENTO
1. Ground Meat	0.5-3.0 lb (0.3-1.3 kg)	Retire cualquier pedazo descongelado después de cada etapa. Deje reposar, cubierto, 5 a 10 minutos.
2. Steaks (Chops) (Fish)	0.5-4.0 lb (0.3-1.8 kg)	Después de cada etapa del ciclo de descongelamiento, re-acomode y si hay porciones tibias o descongeladas, cúbralas con pedazos pequeños de papel aluminio. Retire la carne o pescado que se encuentre casi descongelado. Deje reposar, cubierto, 10 a 20 minutos.
3. Chicken pieces	0.5-3.0 lb (0.3-1.3 kg)	Después de cada etapa del ciclo de descongelamiento, si hay porciones tibias o descongeladas, re-acomode o retire. Deje reposar, cubierto, 10 a 20 minutos.

Nota:

Revise los alimentos cuando el horno lo señale. Después de la etapa final, las secciones pequeñas todavía podrían tener hielo. Déjelas reposar para que continúe el descongelamiento. No descongele hasta que todos los cristales de hielo estén derretidos.

El cubrimiento de los alimentos evita el cocinado antes que el centro del alimento esté descongelado. Utilice pequeñas tiras de papel aluminio para cubrir los bordes y las secciones más delgadas de los alimentos.

Funciones del horno microondas

COCINADO SEGÚN SENSOR

El Sensor es un dispositivo semiconductor que detecta el vapor (humedad) emitido por los alimentos a medida que estos se calientan. El sensor ajusta los tiempos de cocción y el nivel de potencia para los diferentes alimentos y cantidades.

UTILIZANDO LOS AJUSTES DEL SENSOR:

1. Después que el horno está enchufado, espere 2 minutos antes de utilizar los ajustes del sensor.
2. Asegúrese que el exterior del recipiente de cocinado y el interior del horno están secos. Elimine cualquier cantidad de humedad con un trapo seco o toalla de papel.
3. Las funciones de Recalentamiento (Reheat) y Palomitas de Maíz (Popcorn) solo pueden ingresarse dentro de un periodo de 1 minuto después de cocinar, abrir y cerrar la puerta o tocar la tecla Stop/Clear.
4. Durante la primera parte del cocinado según sensor, aparecerá en pantalla el nombre de la comida. No abra la puerta del horno ni toque la tecla Stop/Clear durante esta parte del ciclo de cocinado, ya que la medición del vapor sería interrumpida. Si esto ocurre, aparecerá un mensaje de error. Para continuar cocinando, toque la tecla Stop/Clear y seleccione el tiempo de cocción y la potencia variable.

Cuando el sensor detecta el vapor emitido por el alimento, en la pantalla aparecerá el tiempo de cocción restante. La puerta puede abrirse mientras aparece en pantalla el tiempo de cocción restante. En este momento, usted podrá revolver o sazonar la comida según desee.

5. Revise el alimento en cuanto a temperatura después de cocinar. Si se requiere tiempo adicional, continúe cocinando con tiempo y potencia variables.
6. Si el sensor no detecta el vapor apropiadamente mientras se hacen palomitas de maíz, el horno se apagará, y se mostrará en pantalla la hora correcta del día. Si el sensor no detecta el vapor apropiadamente cuando se utiliza la función de recalentamiento con sensor, la pantalla mostrará la palabra ERROR y el horno se apagará.
7. Cualquier modo de Cocinado con SENSOR puede programarse con Ajuste de Más o Menos Tiempo. Ver la página 25.
8. Cada alimento tiene una recomendación de cocinado. Toque la tecla HELP cuando se ilumina el indicador de HELP en la pantalla.

SELECCIÓN DE ALIMENTOS:

1. El sensor funciona con alimentos a la temperatura normal de almacenamiento. Por ejemplo, el recalentamiento de alimentos para plato de comida sería desde la temperatura de refrigerador y las palomitas de maíz desde la temperatura ambiente.
2. Los alimentos que pesan menos de 3 onzas deben recalentarse por tiempo y potencia variable.

CUBRIMIENTO DE LOS ALIMENTOS:

Algunos alimentos se cocinan mejor cuando están cubiertos. Utilice la cubierta recomendada en la tabla para estos alimentos.

1. Tapa de cacerola.
2. Envoltura plástica: Utilice envoltura plástica recomendada para cocinado por microondas. Cubra el plato sin tirantez; deje aproximadamente 1.2 cms sin cubrir para permitir la salida del vapor. La envoltura plástica no debe tocar el alimento.
3. Papel encerado: Cubra el plato completamente y doble el exceso de papel debajo del plato para asegurar. Si el plato es más ancho que el papel encerado, traslape dos pedazos del papel con una superposición de al menos 2.5 cms, para cubrirlo.

Tenga cuidado al retirar cualquier tipo de cobertura para permitir que el vapor escape en dirección contraria al lugar donde usted se encuentra.

REHEAT (RECALENTAMIENTO)

Usted puede recalentar muchos alimentos sólo tocando una tecla. No necesita calcular el tiempo de recalentamiento ni el nivel de potencia.

- Sponga que usted quiere calentar chile preparado:

Toque la tecla Reheat.

Cuando el sensor detecta el vapor emitido por el alimento, aparecerá el tiempo restante de recalentamiento.

POPCORN (PALOMITAS DE MAÍZ)

- Sponga que usted quiere cocinar una bolsa de 3.5 onzas de palomitas de maíz:

Toque una vez la tecla Popcorn.

Este ajuste del sensor funciona bien con la mayoría de marcas de palomitas de maíz para microondas. Usted podría desear ensayar varias marcas y elegir su favorita. Cocine sólo una (1) bolsa por vez. Desdoble la bolsa y colóquela en el horno de acuerdo con las instrucciones.

Funciones del horno microondas

TABLA DE SENSOR

ALIMENTO	CANTIDAD	PROCEDIMIENTO
Reheat Alimentos sobrantes tales como arroz, papas, verduras, guisado.	4 - 36 onzas	Coloque el alimento en un plato o cacerola ligeramente más grande que la cantidad que se va a recalentar. De ser posible, aplane lo que va a recalentar. Cubra la comida con una tapa, envoltura plástica o papel encerado. Utilice envoltura plástica o tapas para cantidades mayores de alimentos más densos tales como los estofados. Después de recalentar, revuelva bien, si es posible. Los alimentos deben estar muy calientes. De lo contrario, continúe calentando con valores de tiempo y potencia variables. Después de revolver, cubra nuevamente y deje reposar de 2 a 3 minutos.
Sopas	1-4 tazas	Después de recalentar, revuelva bien, si es posible. Los alimentos deben estar muy calientes. De lo contrario, continúe calentando con valores de tiempo y potencia variables. Después de revolver, cubra nuevamente y deje reposar de 2 a 3 minutos.
Verduras y alimentos enlatados	4 - 36 onzas	Utilice el Ajuste de Menos Tiempo tocando dos veces la tecla Power Level para cantidades pequeñas de verduras enlatadas.
Popcorn	Sólo 1 paquete por vez	Utilice únicamente las palomitas de maíz empacadas para uso en hornos de microondas. Pruebe varias marcas y decida cuál le gusta más. No intente cocinar los granos de maíz que no se convirtieron en palomitas. Puede utilizarse el Ajuste de Más/Menos Tiempo para lograr el ajuste necesario para palomitas de maíz más viejas o gustos individuales.
	Bolsa de 3.0-3.5 onzas (tamaño normal)	Toque una vez la tecla Popcorn. Este ajuste funciona bien con la mayoría de bolsas de palomitas de maíz para microondas de 3.0-3.5 onzas.
	Bolsa de 1.5-1.75 onzas (tamaño pequeño)	Toque dos veces la tecla Popcorn dentro de un periodo de 2 segundos para las bolsas de tamaño pequeño.

Funciones del horno microondas

SENSOR COOK (COCINADO SEGÚN SENSOR)

- Sponga que usted quiere cocinar papas horneadas:
1. Toque la tecla Sensor Cook.

2. Seleccione el ajuste deseado del sensor. Ej.: toque la tecla de número **1** para cocinar papas horneadas.
3. Toque la tecla Start/Touch On. Cuando el sensor detecta el vapor emitido por el alimento, aparecerá el tiempo de cocinado restante.

TABLA DE SENSOR COOK

ALIMENTO	CANTIDAD	PROCEDIMIENTO
1. Baked potatoes	1 - 8 medio	Perfore la papa. Colóquela sobre la bandeja giratoria forrada con toalla de papel. Después de cocinar, sáquela del horno, envuélvala en papel de aluminio y déjela reposar de 5 a 10 minutos.
2. Frozen vegetables	1 - 8 tazas	Cubra con tapa o envoltura plástica. Después de cocinar, revuelva y deje reposar 3 minutos, cubierto.
3. Fresh Vegetables: suave		Lávalas y colóquelas en la cacerola. No agregue agua si las acaba de lavar. Cubra con una tapa para obtener verduras blandas. Utilice envoltura plástica para obtener verduras blandas y a la vez levemente tostadas. Revuelva antes de dejar en reposo, si es posible. Después de cocinar, deje en reposo, cubierta, 2 a 5 minutos.
Brócoli	.25 - 2.0 lb.	
Coles de Bruselas	.25 - 2.0 lb	
Col	.25 - 2.0 lb	
Coliflor (trozos)	.25 - 2.0 lb	
Coliflor (entera)	1 med.	
Espinacas	.25 - 1.0 lb	
Calabaza zucchini	.25 - 2.0 lb	
Manzanas asadas	2 - 4 medio	
4. Fresh vegetables: firme		Colóquelas en la cacerola. Agregue de 1 a 4 cucharadas de agua. Cúbralas con una tapa para obtener verduras blandas. Utilice envoltura plástica para obtener verduras blandas y a la vez levemente tostadas. Revuelva antes de dejar en reposo, si es posible. Después de cocinar, deje en reposo, cubierta, 2 a 5 minutos.
Zanahorias, en reb.	.25 - 1.5 lb	
Maíz en la mazorca	2 - 4 pcs.	
Habichuelas verdes	.25 - 1.5 lb	
Calabaza de invierno:		
en cuadritos	.25 - 1.5 lb	
en mitades	1 - 2	
5. Frozen entrees	6-17 onzas	Utilice para alimentos congelados. Éste proporcionará resultados satisfactorios para la mayoría del marcas. Usted podría desear ensayar varias marcas y elegir su favorita. Retire la envoltura exterior del paquete y siga las instrucciones indicadas en el paquete para cubrimiento. Después de cocinar, debe reposar, cubierto, durante 1 a 3 minutos.
6. Hot dogs	1-4 porciones	Coloque el hot dog (perro caliente) dentro del panecillo y envuelva en toalla o servilleta de papel.
7. Bacon	2-6 rebanadas	Coloque el tocino sobre el plato de papel, forrado con toalla de papel. El tocino no debe extenderse sobre el borde del plato. Cubra con toalla de papel. Coloque otro plato de papel boca-abajo sobre la bandeja giratoria. Coloque el plato con el tocino sobre la parte superior del plato volteado boca-abajo.
8. Fish, seafood	.25 - 2.0 lb	Arregle en forma de anillo alrededor de un plato de vidrio poco profundo (enrolle el filete con los bordes debajo). Cubra con envoltura plástica. Después de cocinar, debe reposar, cubierto, durante 1 a 3 minutos.



Operación automática de convección

Esta sección del manual de operación ofrece instrucciones para preparar 12 alimentos populares utilizando "Convec Broil" (Asado a la Parrilla por Convección), "Convec Roast" (Asado al Horno por Convección) y "Convec Bake" (Horneado por Convección).

Después de seleccionar la función deseada, siga las instrucciones indicadas en la pantalla.

Para obtener recomendaciones útiles, simplemente toque HELP cuando se muestra en pantalla la palabra "HELP".

Precaución: El gabinete, cavidad, puerta, bandeja giratoria, soporte de la bandeja giratoria, parrillas del horno, y los platos, se calentarán. Para EVITAR QUEMADURAS, utilice guantes gruesos para horno cuando remueva el alimento o la bandeja giratoria del horno.

CONVEC BROIL (ASADO A LA PARRILLA POR CONVECCIÓN)

Convec Broil asa a la parrilla automáticamente hamburguesas, pedazos de pollo, filetes de carne, filetes de pescado.

- Sponga que usted desea asar a la parrilla 2 hamburguesas:

1. Toque la tecla Convec Broil.
2. Seleccione el ajuste deseado. Ej.: para hamburguesas, toque la tecla de número **1**.
3. Toque la tecla de número para ingresar la cantidad. Ej.: **2**. Siga la información sobre cocinado mostrada en pantalla.

Para hamburguesas bien asadas o poco asadas, toque la tecla Power Level para seleccionar "More" (Más) para hamburguesas bien asadas o "Less" (Menos) para hamburguesas poco asadas. Véase el Ajuste de Más/Menos Tiempo en la página 25.

4. Toque la tecla Start/Touch On.

Después que termina el ciclo de precalentamiento de asado a la parrilla, el horno se detendrá y se mostrarán instrucciones en la pantalla. Siga el mensaje indicado. Abra la puerta y coloque las hamburguesas dentro del horno. Cierre la puerta.

5. Toque la tecla Start/Touch On.

Nota:

1. Convec Broil puede programarse con Ajuste de Más/Menos Tiempo. Véase la página 25.
2. Si usted intenta ingresar más o menos cantidad que la cantidad permitida según se indica en la siguiente tabla, aparecerá un mensaje de error en la pantalla.
3. Para asar a la parrilla otros alimentos o alimentos que tienen un peso superior o inferior al peso o número permitido en la Tabla de Asado a la Parrilla por Convección, siga las instrucciones del Libro de Cocina por Microondas y Convección.

TABLA DE CONVEC BROIL

ALIMENTO	CANTIDAD	PARRILLA	PROCEDIMIENTO
1. Hamburgers	1-8 pedazos 0.25 lb cada uno	Baja	Utilice este ajuste para asar a la parrilla hamburguesas. Coloque sobre la parrilla baja.
2. Chicken pieces	0.5-3.5 lb	Baja	Arregle los pedazos sobre la parrilla baja. Después de cocinar, deje reposar, 3-5 minutos. La carne oscura debe estar a 180°F, y la carne blanca debe estar a 170°F.
3. Steaks	0.5-2.0 lb	Baja	Utilice este ajuste para asar a la parrilla filetes de carne con espesor de 3/4" a 1". Los filetes de carne deshuesados individuales se asan uniformemente. Coloque el filete de carne sobre la parrilla baja. Para carne bien asada, toque una vez la tecla Power Level para carne poco asada, toque dos veces la tecla Power Level.
4. Fish steaks	0.5-2.0 lb	Baja	Utilice este ajuste para asar a la parrilla filetes de pescado con espesor de 3/4" a 1". Coloque sobre la parrilla baja.





Operación automática de convección

CONVEC ROAST (ASADO AL HORNO POR CONVECCIÓN)

Convec Roast asa al horno automáticamente pollo, pavo, pechuga de pavo o carne de cerdo.

- Sponga que usted desea asar al horno pollo de 2.5 libras:

1. Toque la tecla Convec Roast.
2. Seleccione el ajuste deseado. Ej.: para pollo, toque la tecla de número **1**.
3. Toque la tecla de número para ingresar el peso. Ej.: **2** **5** lb.
4. Toque la tecla Start/Touch On.

Después que termina el ciclo de Asado al Horno por Convección, sonará un tono largo. Siga el mensaje indicado.

Nota:

1. Convec Roast puede programarse con Ajuste de Más/ Menos Tiempo Véase la página 25.
2. Si usted intenta ingresar más o menos peso que el peso permitido según se indica en la siguiente tabla, aparecerá un mensaje de error en la pantalla.
3. Para asar al horno otros alimentos o alimentos que tienen un peso superior o inferior al peso permitido en la Tabla de Convec Roast, estudie la tabla de Convec Roast del Libro de Cocina por Microondas y Convección.

TABLA DE CONVEC ROAST

ALIMENTO	CANTIDAD	PARRILLA	PROCEDIMIENTO
1. Chicken	2.5-7.5 lb	Baja	Después que el ciclo termina, cubra con papel aluminio y deje reposar durante 5-10 minutos.
2. Turkey	6.5-16.0 lb	Baja	Sazone, según se desee. Coloque sobre la parrilla baja. Después que el ciclo termina, cubra con papel aluminio y deje reposar durante 10 minutos La temperatura interna de la carne blanca debe ser 170°F, y de la carne oscura debe ser 180°F.
3. Turkey breast	3.0-6.0 lb	Baja	Sazone, según se desee. Coloque sobre la parrilla baja. Después que el ciclo termina, cubra con papel aluminio y deje reposar durante 10 minutos. La temperatura interna de la carne blanca debe ser 170°F.
4. Pork	2.0-3.5 lb	Baja	Se recomienda carne de lomo de cerdo deshuesada ya que ésta se cocina uniformemente. Coloque sobre una parrilla baja. Después de cocinar, retire del horno, cubra con papel aluminio y deje reposar durante 5-10 minutos. La temperatura interna de la carne blanca debe ser 160°F.



Operación automática de convección

CONVEC BAKE (HORNEADO POR CONVECCIÓN)

Convec Bake hornea automáticamente pasteles, brownies, panecillos y papas fritas a la francesa.

- Suponga que usted desea hornear un pastel:
 1. Toque la tecla Convec Bake.
 2. Seleccione el ajuste deseado. Ej.: para pastel (bundt cake), toque la tecla de número **1**.
 3. Toque la tecla Start/Touch On.

Nota:

1. Convec Bake puede programarse con Ajuste de Más/ Menos Tiempo. Véase la página 25.
2. Para hornear otros alimentos, véase la sección de horneado del Libro de Cocina por Microondas y Convección.

TABLA DE CONVEC BAKE

ALIMENTO	CANTIDAD	RACK	PROCEDIMIENTO
1. Bundt cake	1 pastel	Sin parrilla	Ideal para mezcla empacada para pasteles o su propia receta. Prepare de acuerdo con las instrucciones del paquete o receta y coloque en una bandeja para pastel engrasada y con harina. Coloque la bandeja en el horno. Enfríe antes de aplicar la capa de crema y servir.
2. Cookies	1 ó 2 bandejas para pizza	1 bandeja para pizza Sin parrilla 2 bandejas para pizza - Alta	Ideal para masa refrigerada para galletas. Prepare de acuerdo con las instrucciones del paquete o receta y coloque en una bandeja para pizza de 12" engrasada y con harina. Las galletas deben tener un espesor aproximado de 1/3 pulg. y diámetro de 2" para lograr los mejores resultados. Después de terminar el precalentamiento, coloque la bandeja en el horno. Enfríe antes de servir.
3. Muffins	6-12 tazas 1 ó 2 bandejas para panecillos	1 bandeja Sin parrilla 2 bandejas - Alta	Ideal para mezcla empacada para pasteles o su propia receta para 6-12 panecillos de tamaño medio. Prepare de acuerdo con las instrucciones del paquete o receta y coloque en una bandeja para panecillos. Después de terminar el precalentamiento, coloque la bandeja en el horno.
4. French fries	3-24 onzas (0.09-0.68 kg) 1 ó 2 bandejas para pizza Para más de 12 onzas, utilice 2 bandejas	1 bandeja para pizza. Sin parrilla 2 bandejas para pizza - Alta	Utilice papas a la francesa preparadas congeladas. No se requiere precalentamiento para el procedimiento de horneado de las papas fritas a la francesa. Coloque las papas a la francesa en la bandeja para pizza. Para papas tipo lazo, toque dos veces la tecla Power Level para ingresar menos tiempo antes de tocar Start/Touch On.

Operación



Cocinado manual por convección y mezcla automática

Esta sección proporciona instrucciones y procedimientos de cocinado específicos. Por favor consulte su Libro de Cocina por Microondas y Convección para obtener recomendaciones útiles para el cocinado por convección y combinación (mezcla de convección y microondas).

El horno no debe utilizarse sin la bandeja giratoria en su sitio, y nunca deberá restringirse de tal manera que no pueda girar. Usted puede remover la bandeja giratoria cuando se precalienta el horno y cuando se preparan alimentos a ser cocinados directamente sobre la bandeja giratoria.


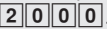
Precaución: El gabinete, cavidad, puerta, bandeja giratoria, soporte de la bandeja giratoria, parrillas del horno, y los platos, se calentarán. Para EVITAR QUEMADURAS, utilice guantes gruesos para horno cuando remueva los alimentos o la bandeja giratoria del horno.

COCINADO POR CONVECCIÓN

Durante el calentamiento por convección, se hace circular aire caliente a través de la cavidad del horno para dorar y tostar levemente los alimentos de manera rápida y uniforme. Este horno puede programarse para 10 diferentes temperaturas de cocinado por convección durante hasta 99 minutos, 99 segundos.

PARA COCINAR CON CONVECCIÓN

- Suponga que usted desea cocinar a una temperatura de 350°F durante 20 minutos:


1. Toque la tecla Convec.
2. Seleccione la temperatura tocando la tecla de número .
3. Ingrese el tiempo de cocinado tocando las teclas de número .
4. Toque la tecla Start/Touch On.

Nota: Si usted desea saber la temperatura programada del horno, simplemente toque la tecla Convec. Mientras su dedo está tocando la tecla Convec, se mostrará la temperatura programada del horno.

PARA PRECALENTAR Y COCINAR CON CONVECCIÓN


Su horno puede programarse para combinar las operaciones de precalentamiento y cocinado por convección. Usted puede precalentar hasta la misma temperatura de la temperatura por convección o cambiar a una temperatura más alta o más baja.

- Suponga que usted desea precalentar hasta una temperatura de 350°F, y luego cocinar 25 minutos por convección a una temperatura de 375°F:

1. Toque la tecla Preheat.
2. Seleccione la temperatura tocando la tecla de número .
3. Toque la tecla Convec.

4. Seleccione la temperatura tocando la tecla de número

.

5. Ingrese el tiempo de cocción tocando las teclas de número .

6. Toque la tecla Start/Touch On.

Cuando el horno alcanza la temperatura programada, sonará 4 veces una señal*. El horno se detendrá, y se mostrarán en pantalla las instrucciones. Siga el mensaje indicado.

7. Abra la puerta. Coloque el alimento en el horno. Cierre la puerta. Toque la tecla Start/Touch On.

* Si no se abre la puerta del horno, el horno se mantendrá automáticamente a la temperatura de precalentamiento durante 30 minutos. Después que ha transcurrido este tiempo, sonará una señal audible, y el horno se apagará.


Nota:

1. Para programar sólo precalentamiento, toque la tecla Start/Touch On después del paso 2. Se iniciará el precalentamiento. Cuando el horno alcanza la temperatura programada, siga el mensaje indicado.
2. Para precalentar y cocinar con la misma temperatura, ingrese la misma temperatura en los pasos 2 y 4.

BROIL (ASADO A LA PARRILLA)

El Precalentamiento es automático cuando se utiliza la función Broil (Asado a la Parrilla). Sólo se ingresa el tiempo de cocinado real; el horno indica cuando está precalentado a 450°F. La temperatura del horno no puede cambiarse. Utilice la función Broil para filetes de carne, chuletas, pedazos de pollo y muchos otros alimentos. Véase la Tabla de Asado a la Parrilla en el libro de cocina.

- Suponga que usted desea asar a la parrilla un filete de carne (bistec) durante 15 minutos:

1. Toque la tecla Broil.
2. Ingrese el tiempo de cocinado tocando las teclas de número .
3. Toque la tecla Start/Touch On.

No hay alimento en el horno. Cuando el horno alcanza la temperatura programada, suena 4 veces una señal*.

4. Abra la puerta. Coloque el alimento en el horno. Cierre la puerta. Toque la tecla Start/Touch On.

* Si no se abre la puerta del horno, el horno se mantendrá automáticamente a la temperatura de precalentamiento durante 30 minutos. Después que ha transcurrido este tiempo, sonará una señal audible, y el horno se apagará.

Nota:

1. Precalentar para asar a la parrilla podría tomar de 7 a 10 minutos dependiendo de la temperatura del salón y la potencia disponible.
2. Aunque el tiempo usualmente se ajusta para el máximo



Cocinado manual por convección y mezcla automática

tiempo de asado a la parrilla, siempre revise el alimento en el momento del tiempo mínimo recomendado en la tabla del libro de cocina. Esto eliminará la necesidad de re-programar completamente el horno si se requiere tiempo de cocinado adicional. Simplemente cierre la puerta del horno y toque la tecla Start/Touch On para continuar.

- Si usted necesita más tiempo de asado a la parrilla, re programe dentro de un período de 1 minuto del final para eliminar el precalentamiento.

Precaución: El gabinete, cavidad, puerta, bandeja giratoria, soporte de la bandeja giratoria, parrillas del horno, y los platos, se calentarán. Para EVITAR QUEMADURAS, utilice guantes gruesos para horno cuando remueva el alimento o la bandeja giratoria del horno.

SLOW COOK (COCINADO LENTO)

El Slow Cook (Cocinado Lento) está preajustado en 300°F durante 4 horas. La temperatura puede cambiarse a menos de 300°F. El tiempo de cocinado no puede cambiarse. Esta función puede utilizarse para alimentos tales como habichuelas horneadas o filete de carne marinado.

- Suponga que usted desea cambiar la temperatura del horno de 300°F a 275°F.
- Toque la tecla Slow Cook.
 - Toque una vez más la tecla Slow Cook si usted desea cambiar la temperatura de 300°F.
 - Toque la tecla de temperatura 3
275 F.
 - Toque la tecla Start/Touch On.

Nota: Si usted no cambia la temperatura, omita los pasos 2 y 3.

COCINADO DE MEZCLA AUTOMÁTICA

Este horno tiene dos ajustes pre-programados que facilitan cocinar automáticamente con calor de convección y microondas.

	TEMPERATURA DEL HORNO	POTENCIA DE LAS MICROONDA
High mix/Roast (Mezcla / Asado al Horno, Alta Potencia Microondas)	300°F	30%
Low mix/Bake (Mezcla / Horneado, Baja Potencia Microondas)	350°F	10%

Con excepción de aquellos alimentos que se cocinan mejor mediante sólo calor de convección, la mayoría de los alimentos son adecuados para mezclar el cocinado utilizando cualquiera: Low Mix/Bake ó High Mix/Roast.

El matrimonio de estos dos métodos de cocinado produce carnes jugosas, pasteles húmedos y blandos, y panes de textura fina, todo con la justa cantidad de dorado y leve tostado.

Las temperaturas pueden cambiarse; sin embargo, la potencia de las microondas no puede cambiarse.

La temperatura del horno puede cambiarse de 100°F a 450°F. Para cambiar la temperatura, primero toque la tecla High mix o Low mix, luego toque nuevamente la misma tecla. Cuando la pantalla muestra SELECT TEMP, toque la tecla de temperatura deseada. Ej.: Teclas High Mix, High Mix, 7. La temperatura de mezcla cambiará automáticamente a 375°F.

PARA COCINAR CON MEZCLA AUTOMÁTICA

- Suponga que usted desea hornear un pastel durante 25 minutos en Low Mix/Bake:
- Toque la tecla Low Mix/Bake.
 - Ingrese el tiempo de cocción tocando las teclas de número 2|5|0|0.
 - Toque la tecla Start/Touch On.

PARA PRECALENTAR Y COCINAR CON MEZCLA AUTOMÁTICA

Su horno puede programarse para combinar operaciones de precalentamiento y cocinado de mezcla automática. Usted puede precalentar a la misma temperatura de la temperatura de combinación preajustada o cambiarla a una temperatura diferente.

- Suponga que usted desea precalentar hasta 350°F y luego cocinar 25 minutos en Low Mix/Bake a 325°F:
- Toque la tecla Preheat.
 - Toque la tecla de temperatura 6
350 F.
 - Toque la tecla Low Mix/Bake.
 - Toque una vez más la tecla Low Mix/Bake para cambiar la temperatura de cocinado.
 - Toque la tecla de temperatura 5
325 F.
 - Ingrese el tiempo de cocción tocando las teclas de número 2|5|0|0.
 - Toque la tecla Start/Touch On.

Cuando el horno alcanza la temperatura programada, sonará 4 veces una señal*. El horno se detendrá, y se mostrarán en pantalla las instrucciones. Siga el mensaje indicado.

- Abra la puerta. Coloque el alimento en el horno. Cierre la puerta. Toque la tecla Start/Touch On.

* Si no se abre la puerta del horno, el horno se mantendrá automáticamente a la temperatura de precalentamiento durante 30 minutos. Después que ha transcurrido este tiempo, sonará una señal audible, y el horno se apagará.

Nota: Para programar sólo precalentamiento, toque

Operación



Cocinado manual por convección y mezcla automática

la tecla Start/Touch On después del paso 2. Se iniciará el precalentamiento. Cuando el horno alcanza la temperatura programada, siga el mensaje indicado.

RECOMENDACIONES ÚTILES PARA EL COCINADO POR CONVECCIÓN Y MEZCLA AUTOMÁTICA

Su Horno de Microondas y Convección puede cocinar perfectamente cualquier alimento ya que tiene varias maneras con las cuales puede cocinar: sólo microondas, mezcla automática, sólo convección, asado a la parrilla. El libro de cocina que acompaña su horno tiene excelentes instrucciones, pautas, recomendaciones, tablas y recetas para ayudarlo a utilizar de la mejor manera su horno. Consúltelo frecuentemente hasta que se familiarice con éste. Este Manual de Operación le indica cómo programar el horno.

El horno no puede utilizarse sin la bandeja giratoria en su sitio. Nunca restrinja el movimiento de la bandeja giratoria.

Cocinado por Convección:

1. Cuando se realiza el precalentamiento, la bandeja giratoria puede dejarse adentro o retirarse. Cuando se utiliza la parrilla alta para horneado con dos estantes en un horno precalentado, es más fácil retirar la bandeja giratoria para precalentar.

Coloque la parrilla alta sobre la bandeja giratoria junto con los alimentos. Cuando se termina el precalentamiento, abra la puerta del horno y coloque rápidamente la bandeja giratoria, la parrilla alta y los alimentos a hornear en su interior.

2. No cubra la bandeja giratoria, parrilla baja o parrilla alta, con papel de aluminio. Éste interfiere con el flujo de aire que cocina los alimentos.
3. Las bandejas redondas para pizza son excelentes de

cocina para muchos alimentos de sólo convección. Elija bandejas que no tienen manijas extendidas.

4. Utilizar una parrilla baja precalentada puede proporcionar una apariencia de asado a la parrilla a los filetes de carne, hot dogs, etc.

Cocinado de Mezcla Automática:

1. Las carnes quedan mejor cuando se asan al horno directamente sobre la parrilla baja. Puede colocarse un plato debajo de la carne si debe hacerse caldo de carne a partir de los jugos que gotean.
2. Los cortes de carne menos blandos pueden asarse al horno y ablandarse utilizando bolsas para cocinar en horno.
3. Cuando se hornea, verifique el completamiento del cocinado después de terminar el tiempo. Si no está completamente cocinado, deje reposar dentro del horno durante unos pocos minutos para completar el cocinado.

Nota:

Durante el horneado en modo de mezcla (Mix), algunos utensilios metálicos para hornear pueden causar formación de arcos eléctricos cuando estos hacen contacto con la bandeja giratoria, paredes del horno o parrillas accesorias. La formación de arcos es una descarga de electricidad que ocurre cuando las microondas hacen contacto con el metal.

Si ocurre formación de arco, coloque un plato resistente al calor (plato para pasteles Pyrex®, plato de vidrio para pizza o platos para comida) entre la cacerola y la bandeja giratoria o parrilla. Si ocurre formación de arco con otros utensilios metálicos para hornear, descontinúe su uso para el cocinado en modo de mezcla.



Otras funciones convenientes

COCINADO EN SECUENCIA MÚLTIPLE

El horno puede programarse para hasta 4 secuencias automáticas de cocinado para el modo de microondas y 2 secuencias automáticas de cocinado con precalentamiento para el modo de convección / mezcla, cambiando de un nivel de potencia a otro de manera automática.

Algunas instrucciones de cocinado le indican a usted que inicie en un nivel de potencia y que luego cambie a un nivel de potencia diferente. Su horno puede hacer esto de manera automática.

- Suponga que usted desea cocinar carne de vaca asada al horno (roast beef) durante 5 minutos al 100% y luego continuar cocinando durante 30 minutos al 50%:
1. Primero toque dos veces la tecla Power Level para potencia del 100%. Luego ingrese el tiempo de cocción.
 2. Toque la tecla Power Level. Toque la tecla de número **5** para potencia del 50%. Luego ingrese el segundo tiempo de cocción.
 3. Toque la tecla Start/Touch On.

Nota:

1. Si la tecla Power Level se toca dos veces, se mostrará la palabra "HIGH".
2. Si usted desea saber el nivel de potencia, simplemente toque la tecla Power Level. Mientras su dedo está tocando la tecla de nivel de potencia, se mostrará el nivel de potencia.

AJUSTE DE MÁS O MENOS TIEMPO

Si usted quiere que cualquiera de las funciones Sensor, Sensor Cook, Defrost, Convec Broil, Convec Roast ó Convec Bake produzcan un leve mayor cocinado, toque una vez la tecla Power Level después de tocar su elección de teclas.

Si usted quiere que cualquiera de las funciones Sensor, Sensor Cook, Defrost, Convec Broil, Convec Roast ó Convec Bake produzcan un leve menor cocinado, toque dos veces la tecla Power Level después de tocar su elección de teclas.

ADD-A-MINUTE (AGREGAR 1 MINUTO)

Add-A-Minute le permite cocinar durante 1 minuto al 100% simplemente tocando la tecla Add-A-Minute. Usted también puede extender el tiempo de cocción en múltiplos de 1 minuto tocando repetidamente la tecla Add-A-Minute durante el cocinado manual.

- Suponga que usted quiere calentar una taza de sopa durante 1 minuto.

Toque la tecla Add-A-Minute.

Nota:

1. Para utilizar Add-A-Minute, toque la tecla dentro de un periodo de 1 minuto después de cocinar, cerrar puerta, tocar la tecla Stop/Clear o durante el cocinado.
2. Add-A-Minute no puede utilizarse con Sensor, Sensor Cook, Defrost, Convec Broil, Convec Roast ó Convec Bake.

HELP (AYUDA - TECLA DE CONTROL)

Help (Ayuda) proporciona 5 funciones que facilitan el uso de su horno microondas porque la pantalla interactiva suministra instrucciones específicas.

1. BLOQUEO DE SEGURIDAD

El bloqueo de seguridad evita la operación indeseada del horno microondas tal como la operación por parte de niños pequeños. El horno microondas puede ajustarse de manera que el panel de control sea desactivado o bloqueado. Para ajustar, toque las teclas Help, el número **1** y Start/Touch On. Si se toca una tecla, aparecerá en pantalla la palabra LOCK.

Para cancelar, toque las teclas Help y Stop/Clear.

2. ELIMINACIÓN DE LA SEÑAL AUDIBLE

Si usted desea que el horno microondas opere sin señales audibles, toque las teclas Help, el número **2** y Stop/Clear.

Para cancelar y restaurar la señal audible, toque las teclas Help, el número **2** y Start/Touch On.

3. ENCENDIDO AUTOMÁTICO

Si usted desea programar su horno microondas para iniciar el cocinado de manera automática a una hora designada del día, siga este procedimiento:

- Suponga que usted desea iniciar el cocinado de un estofado en 50% durante 20 minutos a las 4:30. Antes de ajustar, verifique que el reloj está mostrando la hora correcta del día.
1. Toque la tecla Help.
 2. Toque el número **3** para seleccionar el Encendido Automático.
 3. Para ingresar la hora de encendido a las 4:30, toque los números **4**, **3** y **0**.
 4. Toque la tecla Clock.
 5. Para ingresar el programa de cocinado, toque la tecla Power Level, el número **5** y luego toque los números **2**, **0**, **0**, y **0** para el tiempo de cocción.
 6. Toque la tecla Start/Touch On. Aparecerán en pantalla la hora elegida del encendido automático.

Otras funciones convenientes

Nota:

1. El Encendido Automático puede utilizarse para cocinado manual, "Convec Broil" (Asado a la Parrilla por Convección), "Convec Roast" (Asado al Horno por Convección), "Convec Bake" (Horneado por Convección), si el reloj está ajustado.
2. Si se abre la puerta del horno microondas después de programar el Encendido Automático, es necesario tocar la tecla Start/Touch On para que aparezca en pantalla la hora de Encendido Automático a fin de que el horno microondas comience automáticamente el cocinado programado a la hora elegida de Encendido Automático.
3. Asegúrese de elegir alimentos que puedan dejarse de manera segura en el horno microondas hasta la hora del Encendido Automático. Pulpa de bellota o nuez frecuentemente son una buena elección.
4. Si usted desea saber la hora del día, simplemente toque la tecla Clock. Mientras su dedo está tocando la tecla Clock, se mostrará la hora del día.

4. SELECCIÓN DE LENGUAJE

El horno microondas viene ajustado para el idioma Inglés. Para cambiar, toque las teclas Help y el número [4]. Continúe tocando la tecla de número [4] hasta que se seleccione su elección. Luego toque la tecla Start/Touch On.

Toque una vez la tecla de número [4] para Inglés.

Toque dos veces la tecla de número [4] para Español.

Toque tres veces la tecla de número [4] para Francés.

5. SELECCIONES DE PESO Y TEMPERATURA

El horno microondas viene ajustado para unidades en libras. Para cambiar, toque la tecla Help y la tecla de número [5]. Continúe tocando la tecla de número [5] hasta que se seleccione su elección. Luego, toque la tecla Start/Touch On.

Toque una vez la tecla de número [5] para LB / °F.

Toque dos veces la tecla de número [5] para KG / °C.

MODO DE DEMOSTRACIÓN

Para demostrar, toque la tecla Clock, el número [0] y luego toque la tecla Start/Touch On y mantenga presionado durante 3 segundos. Aparecerá la palabra DEMO ON en la pantalla. Ahora pueden demostrarse las operaciones de cocinado y las características especiales específicas sin potencia en el horno microondas. Por ejemplo, toque la tecla Add-A-Minute y la pantalla mostrará 1:00 y contará regresivamente hasta END.

Para cancelar, toque la tecla Clock, luego las teclas de número [0] y Stop/Clear. Si es más fácil, desenchufe el horno microondas del tomacorriente eléctrico y enchufe nuevamente.

TIMER (CRONÓMETRO)

- Suponga que usted desea cronometrar una llamada telefónica de larga distancia de 3 minutos.
1. Toque la tecla Timer.
 2. Ingrese el tiempo tocando las teclas de número [3][0][0].
 3. Toque la tecla Start/Touch On.

TOUCH ON (ENCENDIDO DURANTE TOQUE)

Touch On permite que usted cocine a una potencia del 100% tocando continuamente la tecla Start/Touch On. Touch On es ideal para fundir queso, calentar la leche justo debajo del punto de ebullición, etc.

El tiempo máximo de cocinado es 3 minutos.

- Suponga que usted desea fundir queso sobre un pedazo de tostada:
1. Toque continuamente la tecla Start/Touch On. Se comenzará a contar el tiempo de cocción.
 2. Cuando el queso se funde hasta el grado deseado, retire el dedo de la tecla Start/Touch On. El horno microondas se detiene inmediatamente.

Nota:

1. Anote el tiempo que se requiere para los alimentos utilizados frecuentemente y programe ese tiempo en el futuro.
2. Para utilizar la tecla Start/Touch On, toque la tecla dentro de un periodo 1 minuto después de cocinar, abrir y cerrar la puerta o tocar la tecla Stop/Clear.
3. Touch On sólo puede utilizarse 3 veces en secuencia. Si se requieren más veces, abra y cierre la puerta o toque la tecla Stop/Clear.

HELP (AYUDA - INDICADOR EN PANTALLA)

Cada función de Defrost, Convec Broil, Convec Roast, Convec Bake, Sensor Cook y Sensor tiene una recomendación de cocinado. Si desea verificar, toque la tecla HELP cuando se muestra la palabra HELP en la pantalla interactiva para obtener estas recomendaciones.



Limpieza y cuidado

Desconecte el cable de energía antes de limpiar o deje abierta la puerta para inactivar el horno microondas durante la limpieza.

EXTERIOR

La superficie exterior está pintada. Limpie la superficie exterior con agua y jabón suave; enjuague y seque con un trapo suave. No utilice ningún tipo de limpiador abrasivo o casero.

PUERTA

Limpie la ventana en ambos lados con un trapo húmedo para remover cualquier salpicadura. Las piezas metálicas serán más fáciles de mantener si se limpian frecuentemente con un trapo húmedo. Evite el uso de rociadores u otros limpiadores agresivos ya que estos podrían manchar, rayar u opacar la superficie de la puerta.

PANEL DE CONTROL AUTOMÁTICO

Debe tenerse cuidado al limpiar el panel táctil de control. Si el panel de control se ensucia, abra la puerta del horno microondas antes de limpiarlo. Limpie frotando con un trapo levemente humedecido únicamente con agua. Séquelo con un trapo suave. No lo restriegue ni utilice ningún tipo de limpiador químico. Cierre la puerta y toque la tecla Stop/Clear.

INTERIOR – DESPUÉS DEL COCINADO POR MICROONDAS

La limpieza es fácil porque se genera poco calor hacia las superficies interiores; por lo tanto, no hay horneado ni asentamiento de salpicaduras. Para limpiar las superficies interiores, frote con un trapo suave y agua tibia. **NO UTILICE LIMPIADORES ABRASIVOS O AGRESIVOS NI ALMOHADILLAS PARA RESTREGAR.** Para suciedad más difícil, utilice bicarbonato de soda o un jabón suave; enjuague detenidamente con agua caliente. **NUNCA ROCÍE LIMPIADORES DE HORNOS DIRECTAMENTE SOBRE NINGUNA PIEZA DEL HORNO MICROONDAS.**

INTERIOR – DESPUÉS DEL COCINADO POR CONVECCIÓN, MEZCLA O ASADO A LA PARRILLA

Podrían ocurrir salpicaduras a causa de la humedad y grasa. Lave inmediatamente después del uso con agua caliente jabonosa. Enjuague y brille en seco. Podrían ocurrir salpicaduras más difíciles de remover si el horno no se limpia detenidamente o si hay cocinado de largo tiempo / alta temperatura. Si es así, usted podría comprar una esponjilla limpiadora de hornos con limpiador líquido — no una esponjilla de acero con jabón — para uso en

superficies de acero inoxidable o de porcelana. Siga cuidadosamente las instrucciones del fabricante y tenga especial cuidado de no introducir nada de limpiador líquido en las perforaciones de la pared o techo ni ninguna superficie de la puerta. Enjuague detenidamente y brille en seco.

Después de limpiar detenidamente el interior, puede removerse la grasa residual de los ductos interiores y calentador simplemente operando el horno a una temperatura de 450°F durante 20 minutos sin alimentos. Ventile el salón si es necesario.

CUBIERTA DE LA GUÍA DE ONDAS

La cubierta de la guía de ondas está hecha de mica de manera que requiere cuidado especial. Mantenga limpia la cubierta de la guía de ondas para garantizar un buen desempeño del horno microondas. Limpie cuidadosamente con un trapo húmedo cualquier salpicadura de alimento en la superficie de la cubierta, inmediatamente después de que ésta ocurra. Las salpicaduras acumuladas podrían sobrecalentarse y causar humo y posiblemente incendio. No remueva la cubierta de la guía de ondas.

ELIMINACIÓN DE OLORES

Ocasionalmente, el horno microondas podría quedar con un olor a comida. Para eliminarlo, combine 1 taza de agua, cáscara rallada y jugo de 1 limón, y varios clavos de olor, en una taza medidora de vidrio de dos tazas. Hierva esta mezcla durante varios minutos utilizando un nivel de potencia del 100%. Deje reposar en el horno microondas hasta que se enfríe. Limpie frotando el interior con un trapo suave.

BANDEJA GIRATORIA / SOPORTE DE BANDEJA GIRATORIA / PARRILLAS

La bandeja giratoria, el soporte de bandeja giratoria y las parrillas puedan removerse para fácil limpieza. Lávelos en agua jabonosa suave; para manchas difíciles, utilice un limpiador suave y una esponja no-abrasiva para restregar. Estos también resisten el lavado en lavaplatos automáticos. Utilice el bastidor superior de los lavaplatos automáticos para el soporte de la bandeja giratoria.

Los alimentos con alta acidez, tales como tomates o limones, harán decolorar la bandeja giratoria de esmalte de porcelana. No cocine los alimentos de alta acidez directamente sobre la bandeja giratoria; si ocurre salpicadura, limpie inmediatamente.

El eje motor de la bandeja giratoria no está sellado, de manera que no debe permitirse permanecer exceso de agua o derrames en esta área.



Especificaciones

Voltaje AC de Línea	Clasificación UL - Monofásico, 120 V, 60Hz, AC (Corriente Alterna) únicamente. Clasificación CSA - Monofásico, 117 V, 60Hz, AC (Corriente Alterna) únicamente.
Potencia AC Requerida	Clasificación UL - Microondas 1.55 kw, 13.0 amps. Clasificación UL - Convección 1.55 kw, 13.0 amps. Clasificación CSA - Microondas 1.5 kw, 13.0 amps. Clasificación CSA - Convección 1.5 kw, 13.0 amps.
Potencia de Salida:	
Microondas*	900 watts
Calentador para Convección	1450 watts
Frecuencia:	2450 MHz
Dimensiones Exteriores:	24 5/8" (Ancho) x 14 7/8" (Alt.) x 19" (Prof.)
Dimensiones de la Cavity:	16 1/8" (Ancho) x 9 5/8" (Alt.) x 16 1/8" (Prof.)
Capacidad del horno microondas:**	1.5 pies ³
Uniformidad del Cocinado:	Sistema de bandeja giratoria, diámetro 15 3/8"
Peso:	60 libras Aprox.


* La International Electrotechnical Commission estandarizó el método para medir el vatiaje (watts) de salida. Este método de prueba es ampliamente reconocido.

** La capacidad interna se calcula midiendo el ancho, profundidad y altura máximas. La capacidad real para contener alimentos es menor.

Cumple los estándares establecidos por:

FCC – Autorizado por la Federal Communications Commission.

DHHS – Cumple con la regla CFR, Título 21, Capítulo I, Subcapítulo J, del Departamento de Salud y Servicios Humanos (DHHS).

 – Este símbolo en la placa de datos significa que el producto está listado por Underwriters Laboratories, Inc. para utilizar en EE.UU. o Canadá.

NHW – Departamento de la salud y del bienestar nacionales de Canadá.

Este horno de microonda es enumerado por la asociación estándar canadiense según lo certificado.

Revisión para solicitud de servicio

Revise lo siguiente antes de llamar para solicitar servicio:

1. Coloque en el horno microondas una taza de agua en una taza medidora de vidrio y cierre la puerta firmemente.

Opere el horno microondas por un minuto en HIGH 100%.

A ¿Se enciende la luz del horno microondas?

SÍ _____ NO _____

B ¿Funciona el ventilador de enfriamiento? (Coloque su mano en la ranura de ventilación posterior.)

SÍ _____ NO _____

C ¿El plato giratorio gira? (Es normal que el plato giratorio gire en cualquier dirección.)

SÍ _____ NO _____

D ¿El agua que está en el horno microondas está caliente?

SÍ _____ NO _____

2. Remueva el agua del horno y opere el horno durante 5 minutos en Convec 450°F.

Opere el horno microondas durante 1 minuto en HIGH (ALTA) / 100%.

A ¿Se encienden las bombillas indicadoras de CONV y COOK?

SÍ _____ NO _____

B Después que el horno se apaga, ¿está caliente el interior del horno microondas?

SÍ _____ NO _____

Si respondió "NO" a cualquiera de las preguntas anteriores, por favor revise el tomacorriente eléctrico, la caja de fusibles y/o el interruptor del circuito. Si están funcionando correctamente, COMUNÍQUESE CON EL PERSONAL DE SERVICIO AUTORIZADO MÁS CERCANO.

Un horno microondas nunca debe ser reparado por una persona "no calificada".

Nota:

Si el tiempo que aparece en la pantalla está haciendo cuenta regresiva rápidamente, verifique el Modo de demostración en la página 26 y cancele.

Garantía del Horno Microondas

DOS AÑOS DE GARANTÍA COMPLETA

El horno microondas y todas las partes y accesorios del componente, excepto como se detalla a continuación*, están garantizadas de no presentar materiales o mano de obra defectuosa en uso doméstico normal por un periodo de dos (2) años a partir de la fecha de compra original al por menor. Viking Range, LLC, garante, se compromete a reparar o reemplazar, a su elección, cualquier parte que falle o se encuentre defectuosa durante el periodo de garantía.

* Los artículos de vidrio (incluyendo las bombillas), pintados y decorativos están garantizados de no presentar materiales o mano de obra defectuosa por un periodo de noventa (90) días a partir de la fecha de compra original al por menor. CUALQUIER DEFECTO DEBE SER INFORMADO AL DISTRIBUIDOR DE VENTA DENTRO DE LOS NOVENTA (90) DÍAS A PARTIR DE LA FECHA DE COMPRA ORIGINAL AL POR MENOR.

GARANTÍA LIMITADA DE CINCO AÑOS

Si el tubo de magnetrón falla debido a materiales o mano de obra defectuosa en uso doméstico normal durante el segundo al quinto año a partir de la fecha de compra original al por menor, será reparado o reemplazado, sin cargo para dicha parte, pagando el propietario todos los demás gastos, incluyendo mano de obra.

Esta garantía se extiende al comprador original del producto que aquí se garantiza y a cada propietario cesionario del producto durante el plazo de la garantía.

Esta garantía se aplicará a los productos comprados y ubicados aquí en los Estados Unidos y Canadá. Los productos deberán ser adquiridos en el país donde se solicite el servicio. La mano de obra de garantía debe ser realizada por una agencia de servicio o representante autorizado de Viking Range, LLC. La garantía no se aplicará a daños que resulten de abuso, accidente, desastres naturales, pérdida de energía eléctrica para el producto por cualquier razón, alteración, uso al aire libre, instalación inadecuada, operación, reparación o servicio inadecuado del producto por alguien ajeno a una agencia de servicio o representante autorizado de Viking Range, LLC. Esta garantía no se aplica para uso comercial. El garante no se responsabiliza por daños resultantes o accidentales si surgen como resultado del incumplimiento de la garantía, incumplimiento del contrato, u otro. Algunas jurisdicciones no aceptan la exclusión o limitación de daños accidentales o resultantes, de modo que la limitación antes mencionada puede no aplicarse a usted.

El propietario debe ser responsable de una adecuada instalación, proporcionando un cuidado y mantenimiento normal, proporcionando el Comprobante de compra cuando se le solicite, y haciendo que el electrodoméstico esté razonablemente accesible para reparación. Si el producto o una de las partes del componente contienen un defecto o falla durante el periodo de garantía, después de un número razonable de intentos por parte del garante para remediar los defectos o fallas, el propietario tiene derecho a un reembolso o reemplazo del producto o de la parte o partes del componente. La responsabilidad del garante en cualquier reclamo de cualquier tipo, con respecto a los productos o servicios que aquí se cubren, no deberá en ningún caso exceder el precio de los productos o servicio de dicha parte que origine el reclamo.

SERVICIO DE GARANTÍA: Bajo los términos de esta garantía, el servicio debe ser realizado por un representante o agente de servicio de Viking Range, LLC autorizado por la fábrica. Se brindará el servicio durante las horas normales de oficina, y la mano de obra realizada en horas extras o tarifas premium no estarán cubiertas por esta garantía. Para obtener el servicio de garantía, comuníquese con el distribuidor al que le compró el producto, un agente de servicio autorizado de Viking Range, LLC, o con Viking Range, LLC. Proporcione el modelo y número de serie y la fecha de compra original. Para conocer el nombre de su agencia de servicio autorizada de Viking Range, LLC más cercana, llame al distribuidor al que le compró el producto o a Viking Range, LLC. **IMPORTANTE:** Conserve el comprobante de compra original para establecer el periodo de garantía.

La devolución de la Tarjeta de registro del propietario no es una condición de cobertura de la garantía. Sin embargo, debe devolver la Tarjeta de registro del propietario para que Viking Range, LLC pueda contactarse con usted en caso de surgir alguna pregunta o seguridad que pueda afectarlo.

Cualquier garantía implícita de comerciabilidad y adaptación aplicable a los elementos o partes descritas anteriormente está limitada en duración al periodo de cobertura de las garantías limitadas escritas expresas aplicables establecidas anteriormente. Algunas jurisdicciones no permiten limitaciones sobre cuánto tiempo dura una garantía implícita, de modo que la limitación antes mencionada puede no aplicarse a usted. Esta garantía le otorga derechos legales específicos y también puede tener otros derechos que pueden variar de jurisdicción en jurisdicción.

Viking Range, LLC
111 Front Street
Greenwood, Mississippi (MS) 38930 USA (888) 845-4641

Especificaciones sujetas a cambios sin previo aviso.
Para más información del producto, llame al 1-888-845-4641
o visite nuestro sitio Web en vikingrange.com





Viking Range, LLC
111 Front Street
Greenwood, Mississippi 38930 USA
(662) 455-1200

Para información del producto
llame al 1-888-845-4641
o visite nuestro sitio Web
en vikingrange.com

