

Artisan

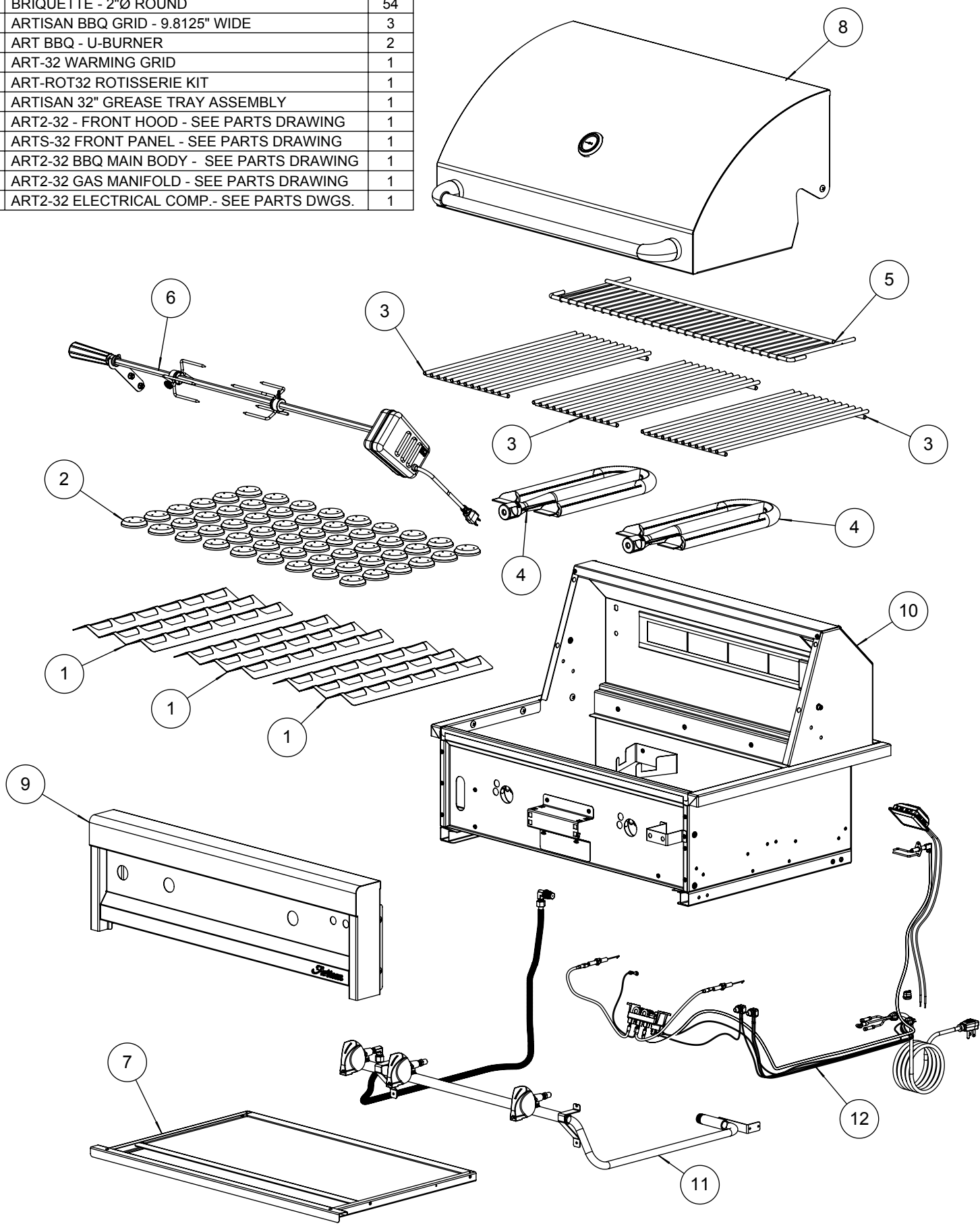


ARTISAN MODEL: ART2-32

**BUILT-IN 32" BBQ GRILL WITH
DUAL BURNERS & ROTISSERIE**

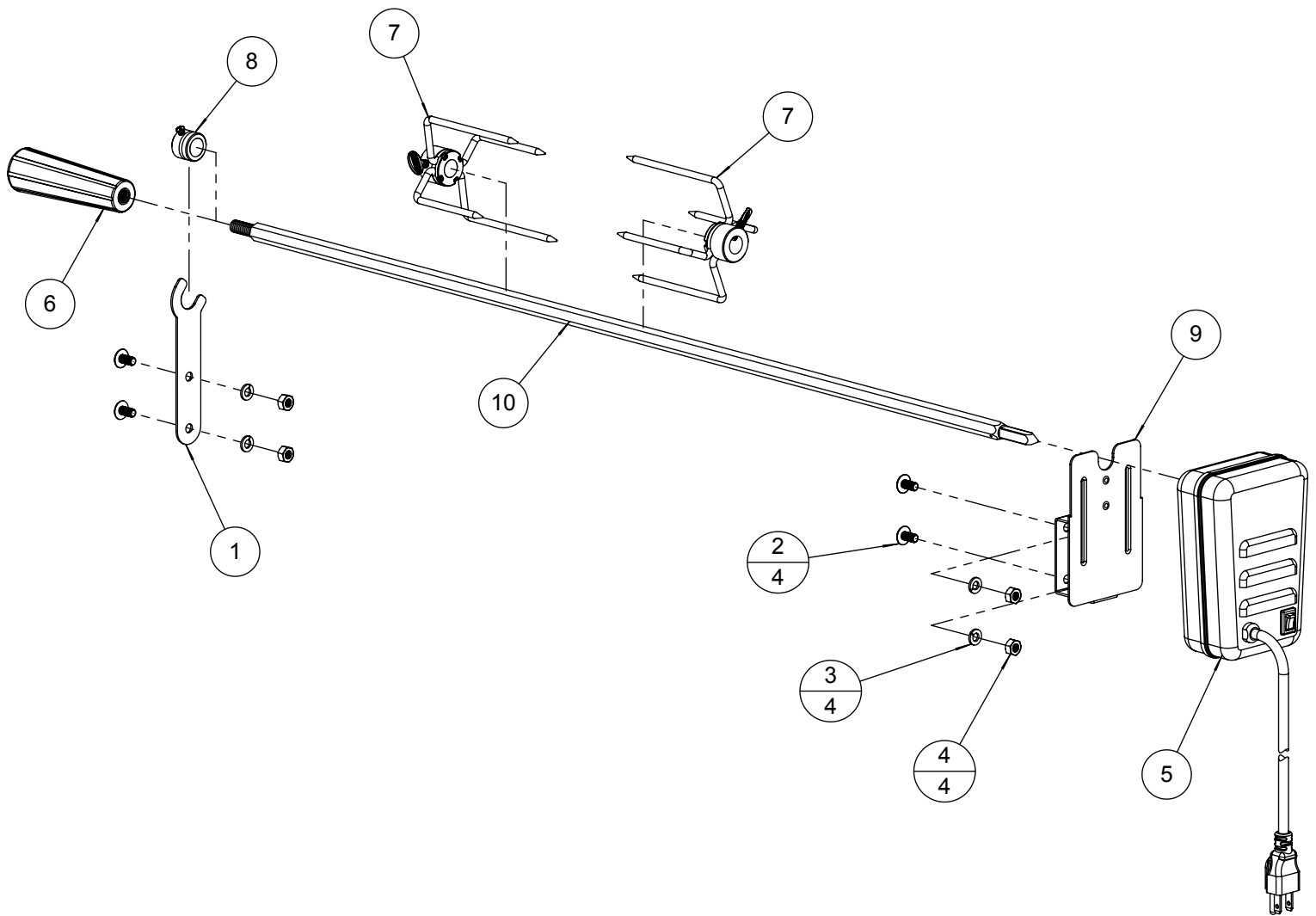
BILL OF MATERIAL

NO.	PART #	DESCRIPTION	QTY
1	100-2376	ART BRIQUETTE TRAY - 9-3/4" WIDE	3
2	265-0030	BRIQUETTE - 2"Ø ROUND	54
3	290-0323	ARTISAN BBQ GRID - 9.8125" WIDE	3
4	290-0355	ART BBQ - U-BURNER	2
5	290-0360	ART-32 WARMING GRID	1
6	510-0551	ART-ROT32 ROTISSERIE KIT	1
7	510-0566	ARTISAN 32" GREASE TRAY ASSEMBLY	1
8	510-0756	ART2-32 - FRONT HOOD - SEE PARTS DRAWING	1
9	510-0831	ARTS-32 FRONT PANEL - SEE PARTS DRAWING	1
10	510-0832	ART2-32 BBQ MAIN BODY - SEE PARTS DRAWING	1
11	510-0840	ART2-32 GAS MANIFOLD - SEE PARTS DRAWING	1
12	510-0841	ART2-32 ELECTRICAL COMP.- SEE PARTS DWGS.	1



BILL OF MATERIAL

NO.	PART #	DESCRIPTION	QTY
1	100-2366	ART ROTISSERIE HOLDER BRACKET	1
2	200-0057	SCREW 1/4-20 X 1/2 - TRUSS HEAD - PHILPS	4
3	200-0087	WASHER - 1/4" SPRING LOCK- REGULAR - SS	4
4	200-0090	1/4-20 - DOUBLE CHAMFER - HEX NUT	4
5	210-0493	ARTISAN ROTISSERIE MOTOR	1
6	290-0330	HANDLE - ROTISSERIE SPEAR - ARTISAN	1
7	290-0331	FORK - ARTISAN ROTISSERIE ASSEMBLY (FORK + THUMB SCREW)	2
8	290-0332	BUSHING- ARTISAN ROTISSERIRE BUSHING ASSEMBLY	1
9	290-0333	BRACKET - ARTISAN ROTISSERIE MOTOR MOUNT	1
10	290-0335	SPEAR ROTISSERIE - ARTISAN 32" BBQ	1

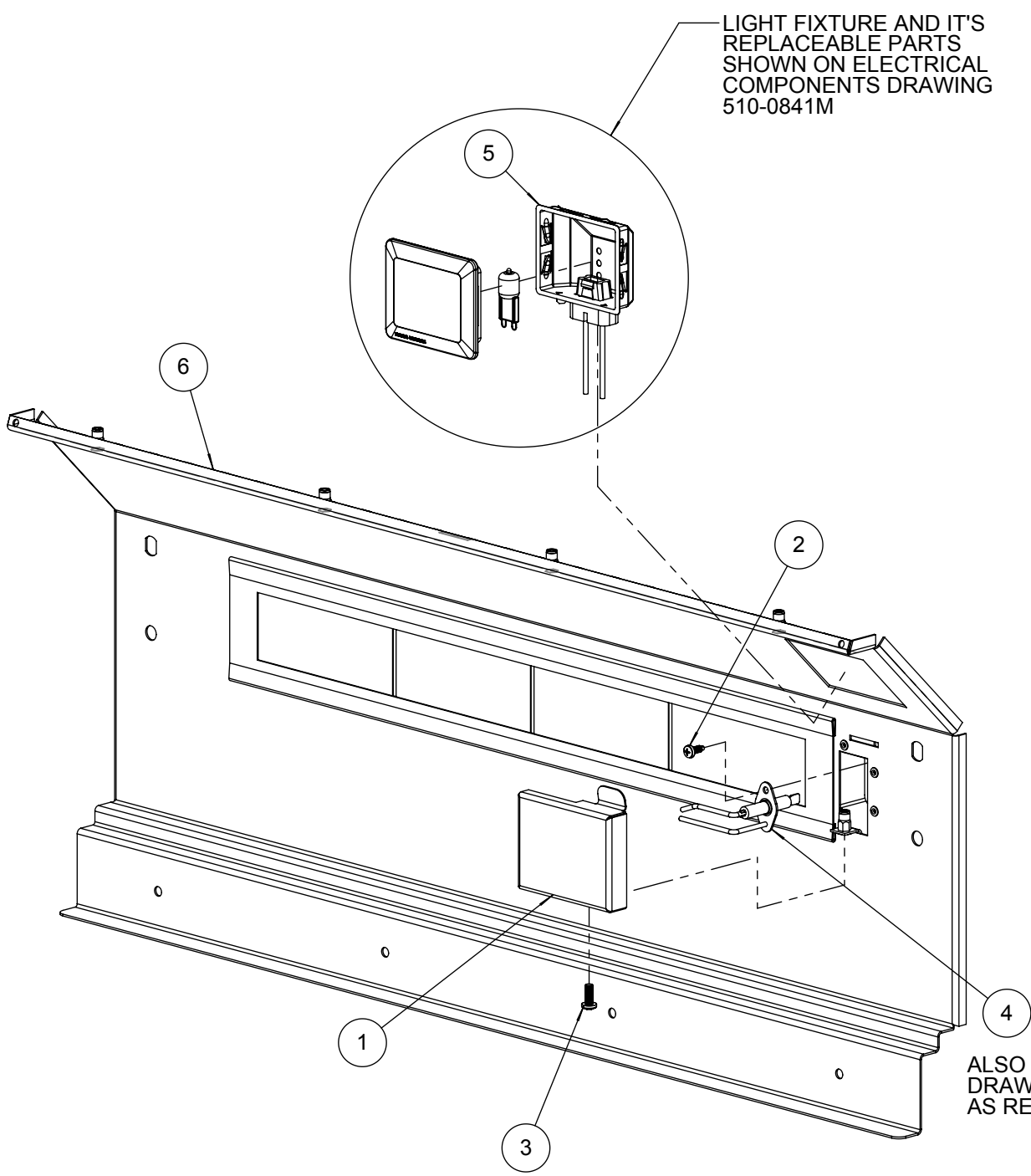


A
B

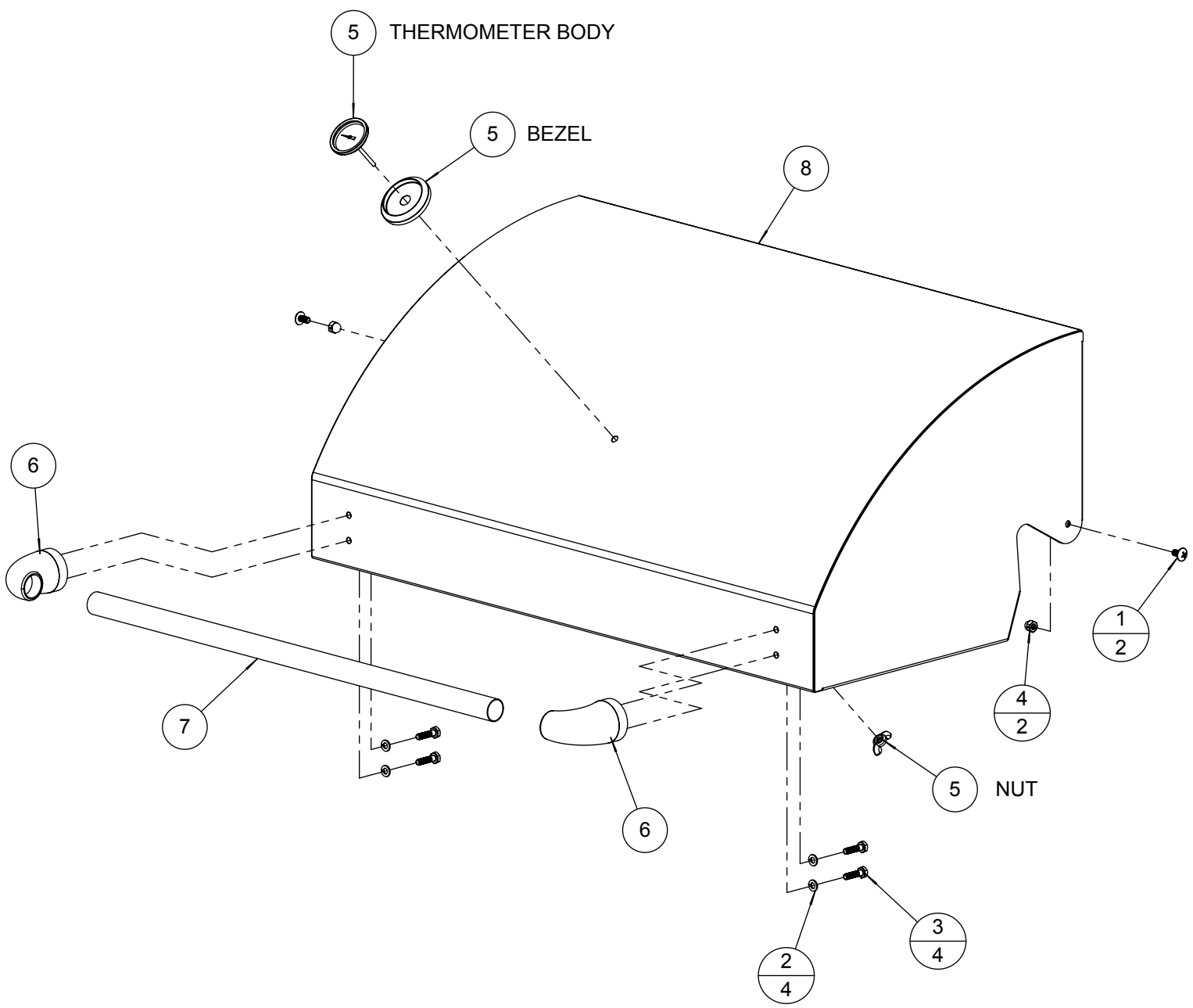
ITEM NUMBER
QUANTITY

BILL OF MATERIAL

NO.	PART #	DESCRIPTION	QTY
1	100-2363	ART ROTISSERIE ELECTRODE COVER	1
2	200-0111	SCREW 8-18 X 1/2 - SELF TAP - 410 SS	1
3	200-0267	10-32 X 1/2 - PAN HEAD - PHILIPS SCREW	1
4	210-0240	ELECTRODE - DUAL TIP "L" SHAPE- ROTISSERIE	1
5	210-0488	LAMP FIXTURE ASSEMBLY - G9/120V/40W	1
6	510-0754	ART2-32 ROTISSERIE BURNER PANEL - WELDED PARTS	1



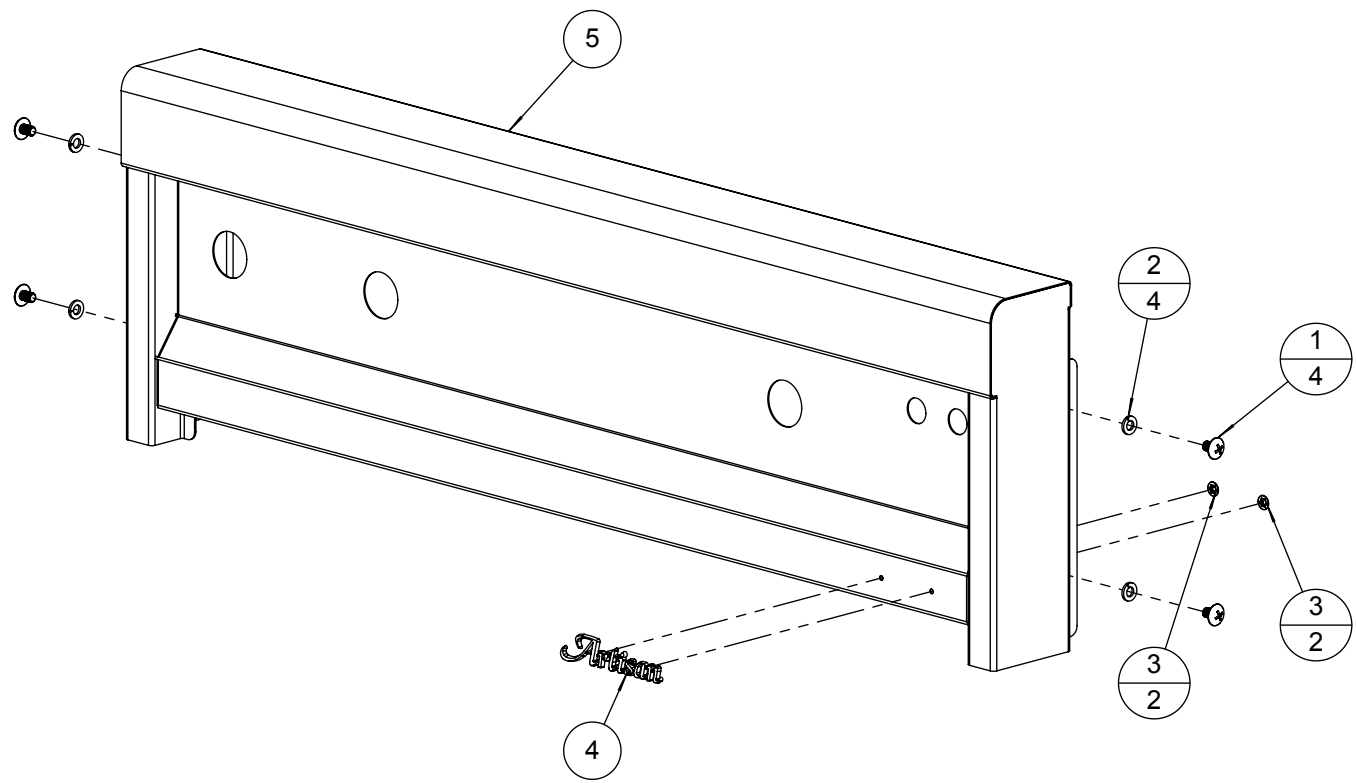
BILL OF MATERIAL			
NO.	PART #	DESCRIPTION	QTY
1	200-0057	SCREW 1/4-20 X 1/2 - TRUSS HEAD - PHILPS	2
2	200-0087	WASHER - 1/4" SPRING LOCK- REGULAR - SS	4
3	200-0091	HH- HD - 1/4-20 x 1 x .75 THREAD	4
4	200-0313	NUT 1/4 x 20 - ACORN - SELF LOCKING	2
5	210-0490	ARTISAN THERMOMETER ASSEMBLY	1
6	290-0063	HANDLE - END CAP ASSEMBLY	2
7	290-0316	ARTISAN 32" BBQ - FRONT HOOD HANDLE BAR	1
8	510-0755	ART2-32 FRONT HOOD - WELDED PARTS	1



A	ITEM NUMBER
B	QUANTITY

BILL OF MATERIAL

NO.	PART #	DESCRIPTION	QTY
1	200-0086	1/4-20 X 3/8 - TRUSS HEAD - PHILIPS SCREW	4
2	200-0087	WASHER - 1/4" SPRING LOCK- REGULAR - SS	4
3	200-0093	WASHER - PUSH LOCK 1/8" ID X 3/8" OD (LOGO)	2
4	290-0356	ARTISAN LOGO	1
5	510-0751	ART2-32 FRONT PANEL - WELDED PARTS	1

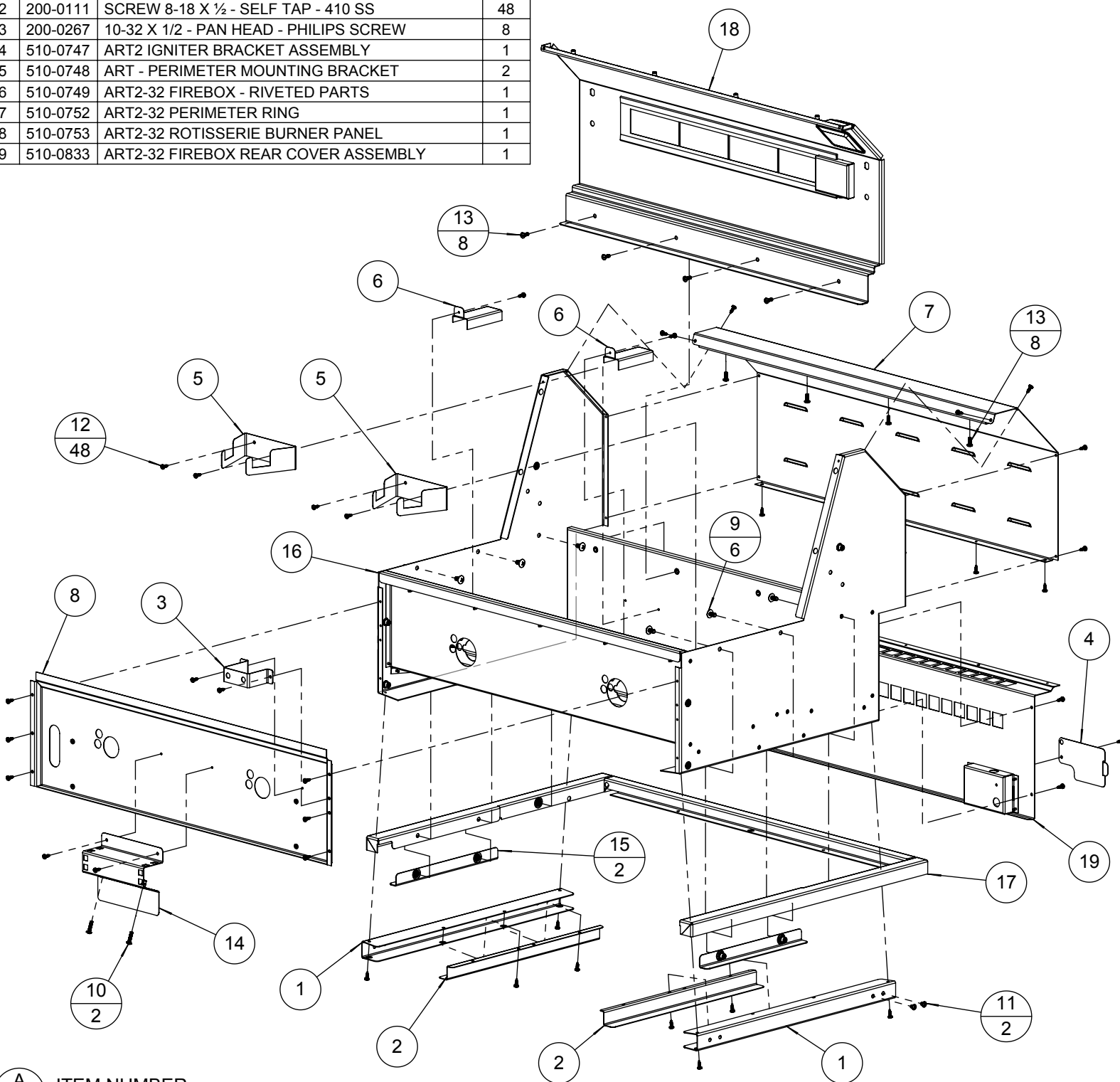


?

1

BILL OF MATERIAL

NO.	PART #	DESCRIPTION	QTY
1	100-2024	FIREBOX TRAY SLIDE PART-A	2
2	100-2025	FIREBOX TRAY SLIDE PART-B	2
3	100-2038	ARTISAN IGNITER & LIGHT SWITCH BRACKET	1
4	100-2370	ART2 - ELECTRICAL BOX COVER	1
5	100-2373	ART - BURNER BRACKET	2
6	100-2374	ART - IGNITER COVER - STANDARD	2
7	100-2398	ART2-32 BACK HOOD - REAR COVER	1
8	100-2401	ART2-32 FIREWALL	1
9	200-0057	SCREW 1/4-20 X 1/2 - TRUSS HEAD - PHILPS	6
10	200-0062	10-32 X 3/4 - PAN HEAD - PHILIPS SCREW	2
11	200-0082	10-32 X 1/4 - PAN HEAD - PHILIPS SCREW	2
12	200-0111	SCREW 8-18 X 1/2 - SELF TAP - 410 SS	48
13	200-0267	10-32 X 1/2 - PAN HEAD - PHILIPS SCREW	8
14	510-0747	ART2 IGNITER BRACKET ASSEMBLY	1
15	510-0748	ART - PERIMETER MOUNTING BRACKET	2
16	510-0749	ART2-32 FIREBOX - RIVETED PARTS	1
17	510-0752	ART2-32 PERIMETER RING	1
18	510-0753	ART2-32 ROTISSERIE BURNER PANEL	1
19	510-0833	ART2-32 FIREBOX REAR COVER ASSEMBLY	1



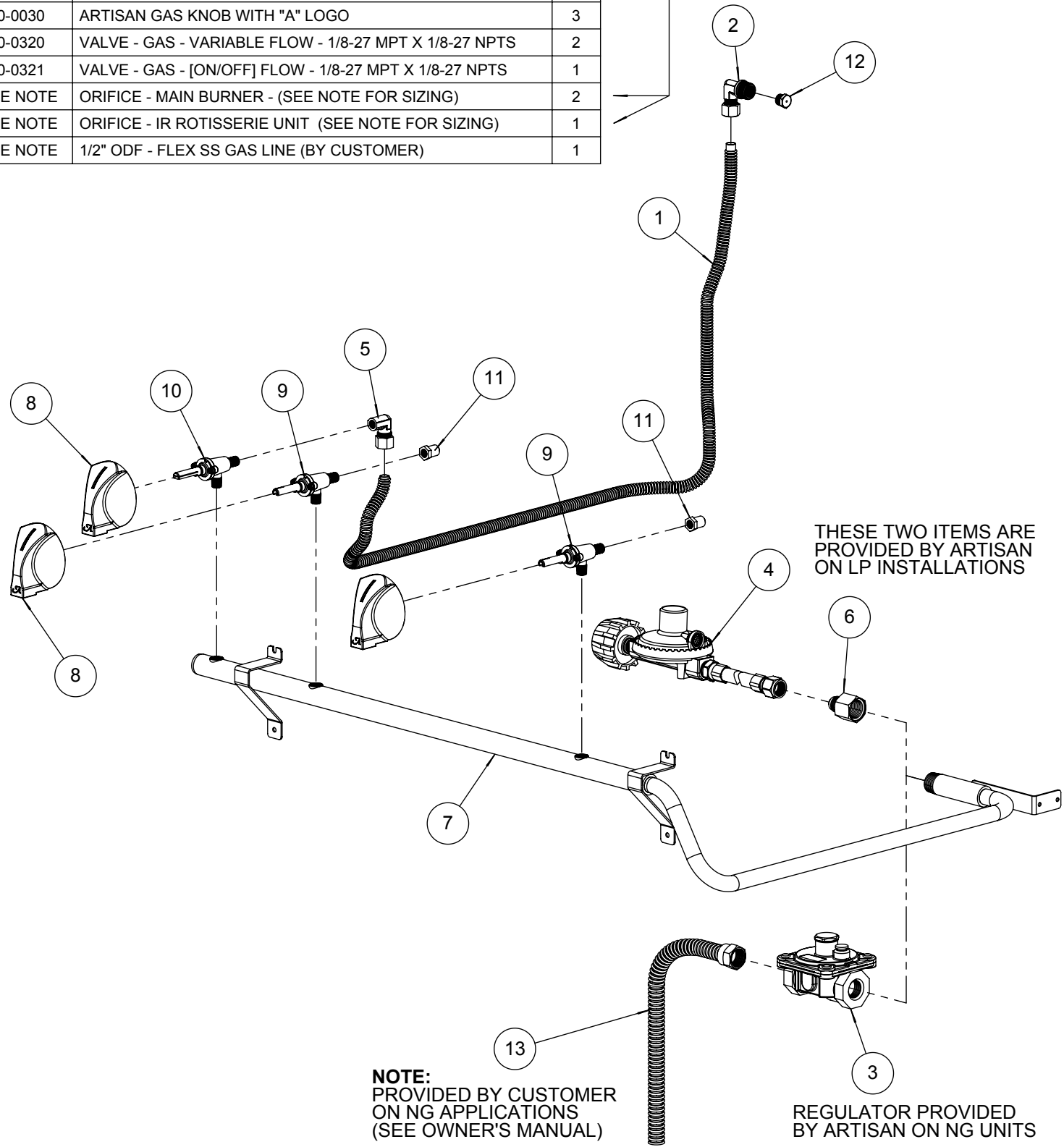
A ITEM NUMBER
B QUANTITY

BILL OF MATERIAL

NO.	PART #	DESCRIPTION	QTY
1	100-1949	ARTISAN ROTISSERIE LINE - 36" L x 3/8" ID	1
2	220-0276	ELBOW .375 MPT x .375 COMP	1
3	220-0280	REGULATOR GAS - MAXITROL RV48CL440002	1
4	220-0301	REGULATOR - LP GAS W/3/6" HOSE - CONN. GREEN	1
5	220-0399	ELBOW 1/8-27 FPT x 3/8" Ø COMPRESSION	1
6	220-0403	NIPPLE 3/8" OD FL x 1/2" FPT (FOR LP HOOK-UP)	1
7	220-0432	GAS MANIFOLD - ART2-32 / AAE-32	1
8	290-0030	ARTISAN GAS KNOB WITH "A" LOGO	3
9	290-0320	VALVE - GAS - VARIABLE FLOW - 1/8-27 MPT X 1/8-27 NPTS	2
10	290-0321	VALVE - GAS - [ON/OFF] FLOW - 1/8-27 MPT X 1/8-27 NPTS	1
11	SEE NOTE	ORIFICE - MAIN BURNER - (SEE NOTE FOR SIZING)	2
12	SEE NOTE	ORIFICE - IR ROTISSERIE UNIT (SEE NOTE FOR SIZING)	1
13	SEE NOTE	1/2" ODF - FLEX SS GAS LINE (BY CUSTOMER)	1

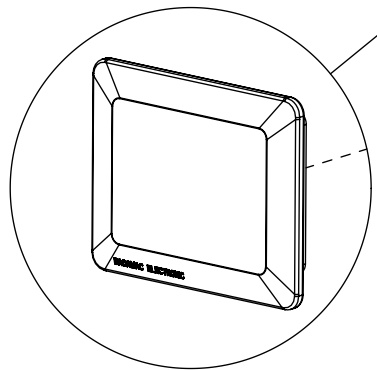
NOTE: ORIFICE OR VALVE ASSEMBLY TO CHANGE ACCORDING TO FUEL SUPPLY: NATURAL GAS OR LIQUID PROPANE

ITEM	NG GAS PART #	LP GAS PART #
11	220-0436	220-0437
12	220-0283	220-0284

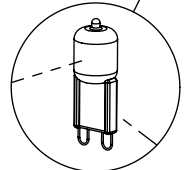


BILL OF MATERIAL

NO.	PART #	DESCRIPTION	QTY
1	200-0009	HEYCO STRESS RELIEF BUSHING # 1200 SR 6N3-4	3
2	210-0198	SWITCH - WEATHER BOOT & CAP	2
3	210-0240	ELECTRODE - DUAL TIP "L" SHAPE- ROTISSERIE	1
4	210-0465	IGNITER MODULE (4 POINTS)	1
5	210-0470	LIGHT SWITCH	1
6	210-0488	LAMP FIXTURE ASSEMBLY - G9/120V/40W	1
7	210-0491	ARTISAN U-BURNER ELECTRODE TIP	2
8	210-0499	BLACK POWER SUPPLY CORD 125V 15A 14/3 X 8FT LONG	1
9	210-0538	IGNITER SWITCH ASSEMBLY - OFF [ON] MOMENTARY	1
10	210-0539	IGNITER WIRE - NEUTRAL ASSEMBLY	1
11	210-0547	ART2-32 IGNITER WIRE KIT	1



REPLACEMENT GLASS
210-0495



REPLACEMENT LAMP G9/40W/120V
210-0317

