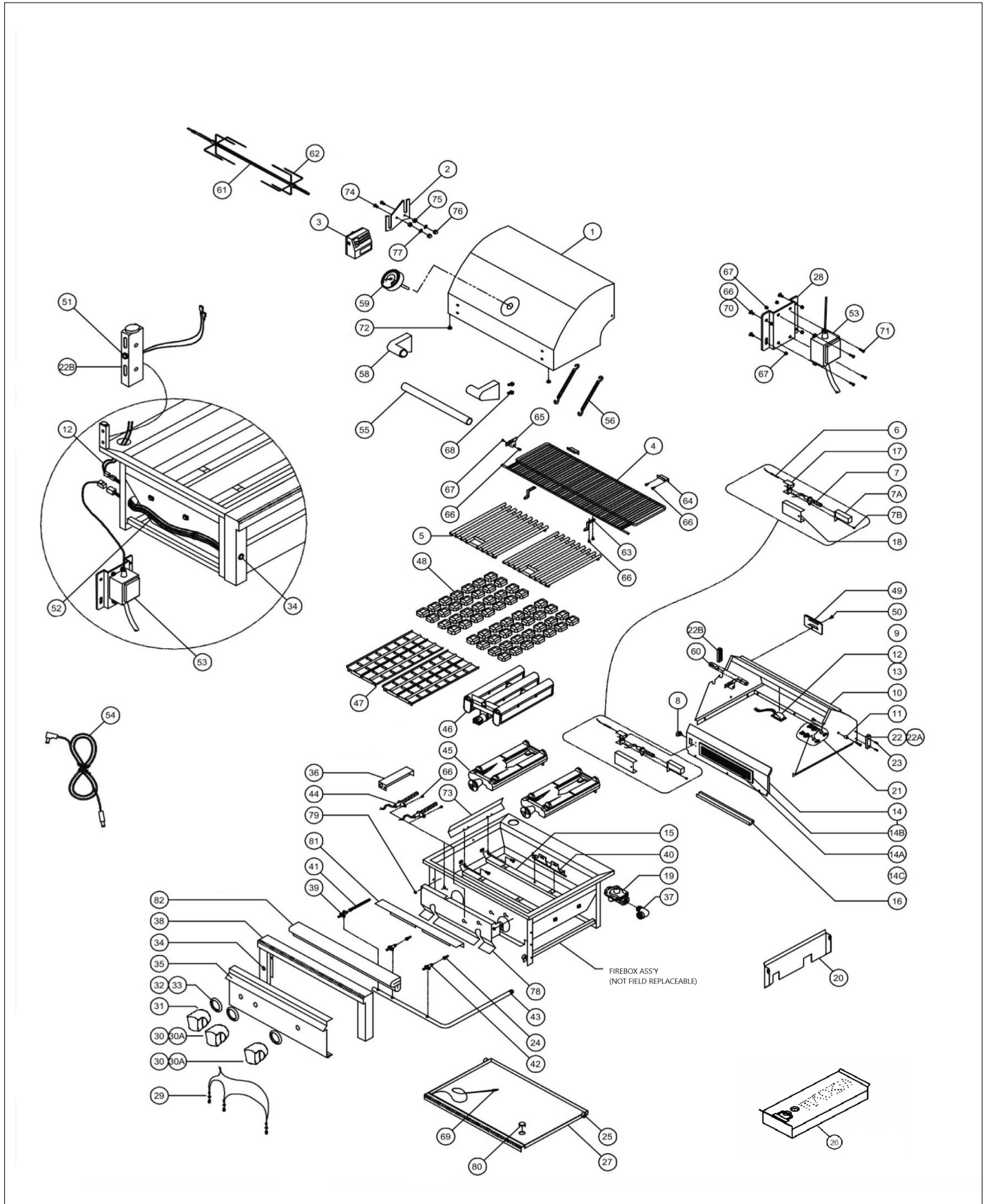


# **VQGI5541**

**54" Built-In Grill W/Prosear Burner & Rotisserie**

|                               |   |
|-------------------------------|---|
| VQGI5541 Part Breakdown ..... | 1 |
| Appendix A:Pages Index .....  | A |
| Appendix B:Parts Index .....  | B |

VQGI5541 Part Breakdown



| Item      | Part No.   | Name                                     | Qty | Uom | NOTES |
|-----------|------------|--|-----|-----|-------|
| 1         | 061956-000 | FRONT HOOD ASSY, 54"                     | 1   | EA  |       |
| 2         | 061996-000 | MOTOR MOUNTING BRACKET KIT, ALL PRO      | 1   | EA  |       |
| 3         | 061992-000 | MOTOR ASSY, HEAVY DUTY 3 SPEED           | 1   | EA  |       |
| 4         | 061814-000 | WARMING SHELF, PRO 54"                   | 1   | EA  |       |
| 5         | 061780-000 | GRATE- 13 1/2" X 21"                     | 2   | EA  |       |
| Not Shown | 061781-000 | GRATE-12" X 21"                          | 2   | EA  |       |
| 6         | 061778-000 | IR THERMOCOUPLE                          | 2   | EA  |       |
| 7         | 061867-000 | IR ELECTRODE, HOT SURFACE (SEE ALSO #73) | 2   | EA  |       |
| 7A        | 061871-000 | GAS COLLECTOR BOX, IR ROTIS              | 1   | EA  |       |
| Not Shown | 061873-000 | GAS COLLECTOR BOX, IR ROTIS. R/H 54"     | 1   | EA  |       |
| 7B        | 061769-000 | SCREW, #6-32 x 1/4 PH. PAN HD            | 6   | EA  |       |
| 8         | 061805-000 | IR BRASS ELBOW, 7/16-20 MALE THREAD      | 2   | EA  |       |
| 9         | 061821-000 | LIGHT PANEL FOR DUAL LIGHTS, 54"         | 1   | EA  |       |
| 10        | 061948-000 | REAR HOOD ASSY, PRO 54"                  | 1   | EA  |       |
| 11        | 062428-000 | HOOD SPACER, UNIVERSAL                   | 2   | EA  |       |
| 12        | 061965-000 | HOOD LIGHT ASSY, DUAL W/10W BULB         | 1   | EA  |       |
| 13        | 061810-000 | BULB, REPLACEMENT, 10W HALOGEN           | 1   | EA  |       |
| Not Shown | 061827-000 | GLASS REPLACEMENT COVER W/CLIP           | 1   | EA  |       |
| 14        | 061952-000 | IR PANEL ASSY, 54" (INCLUDES BURNER)     | 1   | EA  |       |
| 14A       | 061861-000 | IR ROTIS. BURNER ONLY (MEDIUM-21 IN.)    | 2   | EA  |       |
| 14B       | 061863-000 | IR BURNER FRAME ONLY (MEDIUM-21 IN.)     | 2   | EA  |       |
| 14C       | 061853-000 | SCREW, #8-32 X 5/16 PH. FLAT HD          | 4   | EA  |       |
| 15        | 061840-000 | BURNER HANGER, PRO 54"                   | 1   | EA  |       |
| 16        | 061750-000 | WOODCHIP TRAY (30", 54")                 | 1   | EA  |       |
| 17        | 061869-000 | IR IGNITER BRACKET, PRO                  | 1   | EA  |       |

| Item      | Part No.   | Name   | Qty | Uom | NOTES |
|-----------|------------|--|-----|-----|-------|
| Not Shown | 061870-000 | IR BRACKET, RIGHT, 54"   | 1   | EA  |       |
| 18        | 061877-000 | IR IGNITER COVER (36", 42", 54")                                 | 2   | EA  |       |
| 19        | 061789-000 | REGULATOR 4/11 N/G ONLY (CAN CONVERT TO LP FOR BULK PROPANE USE) | 1   | EA  |       |
| Not Shown | 061759-000 | REGULATOR W/30" HOSE DOUBLE STAGE-LP                             | 1   | EA  |       |
| 20        | 061900-000 | FIRBOX PARTITION, PROSEAR 30", 42", 54"                          | 1   | EA  |       |
| 21        | 061994-000 | ROLLER BEARING KIT- ROTISSERIE (2 PARTS EA)                      | 1   | EA  |       |
| 22        | 061834-000 | HOOD STOP, RIGHT, ALL PRO  | 1   | EA  |       |
| 22A       | 061836-000 | BUMPER FOR HOOD STOP, .750 DIA                                   | 2   | EA  |       |
| 22B       | 061883-000 | HOOD STOP, LEFT, ALL PRO   | 1   | EA  |       |
| 23        | 061835-000 | SCREW/HOOD STOP- #8-32 x 1" PH TRUSS HD                          | 4   | EA  |       |
| 24        | 062012-000 | COMPLETE ORIFICE FIELD KIT- LP TO NG                             | 1   | EA  |       |
| Not Shown | 062011-000 | COMPLETE ORIFICE FIELD KIT- NG TO LP                             | 1   | EA  |       |
| Not Shown | 061784-000 | ORIFICE, BURNER, NG (#41 LONG)                                   | 3   | EA  |       |
| Not Shown | 061783-000 | ORIFICE, BURNER, LP (#53 LONG)                                   | 3   | EA  |       |
| Not Shown | 061754-000 | ORIFICE, BURNER, NG (#44 SHORT) PROSEAR                          | 1   | EA  |       |
| Not Shown | 061757-000 | ORIFICE, BURNER, LP (#54 SHORT) PROSEAR                          | 1   | EA  |       |
| Not Shown | 061755-000 | ORIFICE, IR ROTIS., NG (#50 SHORT)                               | 2   | EA  |       |
| Not Shown | 061758-000 | ORIFICE, IR ROTIS., LP (#57 SHORT)                               | 2   | EA  |       |
| 25        | 061995-000 | ROLLER BEARING KIT- DRIP PAN (2 PARTS EA)                        | 1   | EA  |       |
| 26        | 061905-000 | SMOKER SET   | 1   | EA  |       |
| 27        | 061795-000 | DRIP PAN, PRO 54"  | 1   | EA  |       |
| 28        | 061875-000 | TRANSFORMER MOUNTING BRKT B/I & F/S                              | 1   | EA  |       |
| 29        | 061962-000 | LED HARNESS ASSY, 54"  | 1   | EA  |       |

| Item      | Part No.   | Name   | Qty | Uom | NOTES |
|-----------|------------|--|-----|-----|-------|
| Not Shown | 061841-000 | LED HOLDER   | 6   | EA  |       |
| 30        | 061916-000 | KNOB, BURNER, STAINLESS  | 3   | EA  |       |
| 30A       | 061918-000 | KNOB, PROSEAR, STAINLESS   | 1   | EA  |       |
| 31        | 061917-000 | KNOB, ROTIS, STAINLESS   | 2   | EA  |       |
| 32        | 050172-000 | BEZEL, KNOB  | 6   | EA  |       |
| 33        | 061904-000 | BEZEL SCREW, #6-32 x 1/8 PH PAN                                    | 12  | EA  |       |
| 34        | 061878-000 | LIGHT SWITCH + HARNESS, BLUE LIGHTED                               | 1   | EA  |       |
| 35        | 061977-000 | FRONT PANEL, PRO 54"   | 1   | EA  |       |
| 36        | 061868-000 | GAS COLLECTOR BOX, H-BURNER  | 3   | EA  |       |
| 37        | 061752-000 | ELBOW, STREET, 1/2" 90 DEGREE-NG ONLY                              | 1   | EA  |       |
| Not Shown | 061760-000 | ELBOW, 3/8" FLARE TO 1/2" FIP-LP ONLY                              | 1   | EA  |       |
| 38        | 061969-000 | BULLNOSE ASSY, PRO 54"   | 1   | EA  |       |
| 39        | 061802-000 | IR BURNER VALVE W/ MICROSWITCH                                     | 1   | EA  |       |
| 40        | 061884-000 | BURNER SUPPORT, PROSEAR-2 30, 42, 54                               | 1   | EA  |       |
| 41        | 061804-000 | FLEX HOSE, 9MM X 38" W/ 7/16 FITTINGS                              | 2   | EA  |       |
| 42        | 061881-000 | MAIN BURNER VALVE W/MICROSWITCH                                    | 4   | EA  |       |
| Not Shown | 061859-000 | MICROSWITCH REPLACEMENT FOR VALVE (MAIN VALVE AND IR BURNER VALVE) | 4   | EA  |       |
| 43        | 061938-000 | MANIFOLD ASSY W/VALVES, 54" LP PROSEAR                             | 1   | EA  |       |
| Not Shown | 061939-000 | MANIFOLD ASSY W/VALVES, 54" NG PROSEAR                             | 1   | EA  |       |
| 44        | 062003-000 | COMPLETE ELECTRODE KIT 54"   | 1   | EA  |       |
| NI        | 062447-000 | IGNITION WIRE HARNESS, 54PSR                                       | 1   | EA  |       |
| 45        | 061787-000 | H-BURNER (BRASS)   | 3   | EA  |       |
| 46        | 061885-000 | PROSEAR-2 BURNER, 30", 42", 54"                                    | 1   | EA  |       |
| Not Shown | 061998-000 | SCREEN REPLACEMENT, PROSEAR 2 BURNER                               | 1   | EA  |       |

| Item      | Part No.   | Name  | Qty | Uom | NOTES |
|-----------|------------|---|-----|-----|-------|
| 47        | 061988-000 | BRIQUETTE TRAY, WIDE, 30", 42", 54"                       | 1   | EA  |       |
| Not Shown | 062006-000 | COMPLETE TRAY W/BRIQUETTIES & CHIPS (HOLDS 35 BRIQUETTES) | 1   | EA  |       |
| Not Shown | 061987-000 | BRIQUETTE TRAY, NARROW, 42", 54"                          | 1   | EA  |       |
| Not Shown | 062005-000 | COMPLETE TRAY W/BRIQUETTIES & CHIPS (HOLDS 28 BRIQUETTES) | 2   | EA  |       |
| 48        | 061993-000 | BRIQUETTIES, 35 PER BOX                                   | 3   | EA  |       |
| 49        | 061785-000 | IR ACCESS COVER   | 2   | EA  |       |
| 50        | 061763-000 | SCREW, 1/4-20 X 3/8 PH TRUSS HD, S/S                      | 18  | EA  |       |
| 51        | 061963-000 | ROTISERIE JACK + INTERNAL HARNESS                         | 1   | EA  |       |
| Not Shown | 061874-000 | JAKC ONLY, DC PANEL MOUNT                                 | 1   | EA  |       |
| 52        | 061972-000 | MAIN POWER HARNESS (30, 36, 42, 54)                       | 1   | EA  |       |
| 53        | 061872-000 | TRANSFORMER, 5 AMP, ALL PRO                               | 1   | EA  |       |
| 54        | 061886-000 | ROTISERIE EXTERNAL CORD                                   | 1   | EA  |       |
| 55        | 061913-000 | HOOD HANDLE, 54"  | 1   | EA  |       |
| 56        | 061806-000 | EXTENSION SPRING, 30", 42", 54"                           | 2   | EA  |       |
| NI        | 069213-000 | SCREW, SHOULDER #8-32 X 3/16                              | 2   | EA  |       |
| Not Shown | NOTE       | (TO SECURE SPRING TO UNIT)                                |     | EA  |       |
| NI        | 061771-000 | LOCK NUT, #8-32, S/S                                      | 4   | EA  |       |
| Not Shown | NOTE       | (TO SECURE SPRING TO UNIT)                                |     | EA  |       |
| 58        | 026965-000 | END CAP, ASM, DOOR HANDLE                                 | 2   | EA  |       |
| 59        | 061889-000 | HOOD THERMOMETER, SEALED                                  | 1   | EA  |       |
| Not Shown | 061890-000 | WASHER FOR HOOD THERMOMETER                               | 1   | EA  |       |
| 60        | 061764-000 | PIVOT SCREW, 1/4-20 X 1" HEX DRIVE                        | 2   | EA  |       |
| Not Shown | 061762-000 | PIVOT SCREW NUT, HEX, 1/4-20 S/S                          | 2   | EA  |       |

| Item      | Part No.   | Name                                    | Qty | Uom | NOTES |
|-----------|------------|---|-----|-----|-------|
| Not Shown | 061772-000 | PIVOT WASHER, SPLIT LOCK, 1/4 S/S       | 6   | EA  |       |
| 61        | 061818-000 | SPIT ROD, PRO 54"                       | 1   | EA  |       |
| 62        | 061799-000 | SPIT FORK, HEAVY DUTY, ALL SIZES        | 4   | EA  |       |
| 63        | 061865-000 | FRONT RETAINING BKT., WARMING RACK      | 2   | EA  |       |
| 64        | 061819-000 | REAR RETAINING BRACKET, WARMING RACK    | 2   | EA  |       |
| 65        | 061891-000 | LEFT RETAINING BRACKET, WARMING RACK    | 1   | EA  |       |
| 66        | 061765-000 | SCREW #8-32 X 3/8 PH TRUSS HEAD S/S     | 4   | EA  |       |
| 67        | 061771-000 | LOCK NUT, #8-32, S/S                    | 4   | EA  |       |
| 68        | 061808-000 | BOLT, HEX HEAD, 1/4-20 X 3/8", S/S      | 21  | EA  |       |
| 69        | 061791-000 | ALTERNATE LIGHTING DEVICE, MATCH HOLDER | 1   | EA  |       |
| 70        | 061790-000 | SCREW, #8 X 1/2 PH TRUSS HD TYPE 'A'    | 1   | EA  |       |
| 71        | 061800-000 | SCREW, #8-32 X 5/8 PH. PAN HD, S/S      | 4   | EA  |       |
| 72        | 061837-000 | HOOD BUMPER, .500 DIA                   | 2   | EA  |       |
| 73        | 061892-000 | BRIQUETTE DIVIDER 30", 42", 54"         | 1   | EA  |       |
| 74        | 061773-000 | SCREW, #10-24 X 3/4 PH FLAT HD S/S      | 6   | EA  |       |
| 75        | 061860-000 | ROTIS. SPACER                           | 2   | EA  |       |
| 76        | 061822-000 | NUT, ACORN, #10-24, S/S                 | 2   | EA  |       |
| 77        | 061823-000 | WASHER, #10 SPLIT LOCK, S/S             | 2   | EA  |       |
| 78        | 061896-000 | HEAT SHIELD, PROSEAR 54"                | 1   | EA  |       |
| 79        | 061770-000 | NUT, COMBINATION (FOR HEAT SHIELD)      | 2   | EA  |       |
| 80        | 061858-000 | DRAIN PLUG, DRIP PAN                    | 1   | EA  |       |
| 81        | 061908-000 | RETAINER, INSULATION                    | 2   | EA  |       |
| 82        | 062823-000 | INSULATION, 54"                         | 1   | EA  |       |
| NI        | 064805-000 | WINDSCREEN 54"                          | 1   | EA  |       |
| NI        | 064809-000 | WIND BAFFLE 54"                         | 1   | EA  |       |
| NI        | VIJ5541    | 54" INSULATED JACKET                    | 1   | EA  |       |





Appendix A:Pages Index

VQGI5541 Part Breakdown ..... 1



Appendix B:Parts Index

|            |            |            |         |
|------------|------------|------------|---------|
| 026965-000 | ..... 1    | 061819-000 | ..... 1 |
| 050172-000 | ..... 1    | 061821-000 | ..... 1 |
| 061750-000 | ..... 1    | 061822-000 | ..... 1 |
| 061752-000 | ..... 1    | 061823-000 | ..... 1 |
| 061754-000 | ..... 1    | 061827-000 | ..... 1 |
| 061755-000 | ..... 1    | 061834-000 | ..... 1 |
| 061757-000 | ..... 1    | 061835-000 | ..... 1 |
| 061758-000 | ..... 1    | 061836-000 | ..... 1 |
| 061759-000 | ..... 1    | 061837-000 | ..... 1 |
| 061760-000 | ..... 1    | 061840-000 | ..... 1 |
| 061762-000 | ..... 1    | 061841-000 | ..... 1 |
| 061763-000 | ..... 1    | 061853-000 | ..... 1 |
| 061764-000 | ..... 1    | 061858-000 | ..... 1 |
| 061765-000 | ..... 1    | 061859-000 | ..... 1 |
| 061769-000 | ..... 1    | 061860-000 | ..... 1 |
| 061770-000 | ..... 1    | 061861-000 | ..... 1 |
| 061771-000 | ..... 1, 1 | 061863-000 | ..... 1 |
| 061772-000 | ..... 1    | 061865-000 | ..... 1 |
| 061773-000 | ..... 1    | 061867-000 | ..... 1 |
| 061778-000 | ..... 1    | 061868-000 | ..... 1 |
| 061780-000 | ..... 1    | 061869-000 | ..... 1 |
| 061781-000 | ..... 1    | 061870-000 | ..... 1 |
| 061783-000 | ..... 1    | 061871-000 | ..... 1 |
| 061784-000 | ..... 1    | 061872-000 | ..... 1 |
| 061785-000 | ..... 1    | 061873-000 | ..... 1 |
| 061787-000 | ..... 1    | 061874-000 | ..... 1 |
| 061789-000 | ..... 1    | 061875-000 | ..... 1 |
| 061790-000 | ..... 1    | 061877-000 | ..... 1 |
| 061791-000 | ..... 1    | 061878-000 | ..... 1 |
| 061795-000 | ..... 1    | 061881-000 | ..... 1 |
| 061799-000 | ..... 1    | 061883-000 | ..... 1 |
| 061800-000 | ..... 1    | 061884-000 | ..... 1 |
| 061802-000 | ..... 1    | 061885-000 | ..... 1 |
| 061804-000 | ..... 1    | 061886-000 | ..... 1 |
| 061805-000 | ..... 1    | 061889-000 | ..... 1 |
| 061806-000 | ..... 1    | 061890-000 | ..... 1 |
| 061808-000 | ..... 1    | 061891-000 | ..... 1 |
| 061810-000 | ..... 1    | 061892-000 | ..... 1 |
| 061814-000 | ..... 1    | 061896-000 | ..... 1 |
| 061818-000 | ..... 1    | 061900-000 | ..... 1 |
|            |            | 061904-000 | ..... 1 |



061905-000 ..... 1  
061908-000 ..... 1  
061913-000 ..... 1  
061916-000 ..... 1  
061917-000 ..... 1  
061918-000 ..... 1  
061938-000 ..... 1  
061939-000 ..... 1  
061948-000 ..... 1  
061952-000 ..... 1  
061956-000 ..... 1  
061962-000 ..... 1  
061963-000 ..... 1  
061965-000 ..... 1  
061969-000 ..... 1  
061972-000 ..... 1  
061977-000 ..... 1  
061987-000 ..... 1  
061988-000 ..... 1  
061992-000 ..... 1  
061993-000 ..... 1  
061994-000 ..... 1  
061995-000 ..... 1  
061996-000 ..... 1  
061998-000 ..... 1  
062003-000 ..... 1  
062005-000 ..... 1  
062006-000 ..... 1  
062011-000 ..... 1  
062012-000 ..... 1  
062428-000 ..... 1  
062447-000 ..... 1  
062823-000 ..... 1  
064805-000 ..... 1  
064809-000 ..... 1  
069213-000 ..... 1  
VIJ5541 ..... 1