

This Owner's Manual is provided and hosted by [Appliance Factory Parts](#).



Alfresco ARTP-36 Owner's Manual

[Shop genuine replacement parts for Alfresco ARTP-36](#)



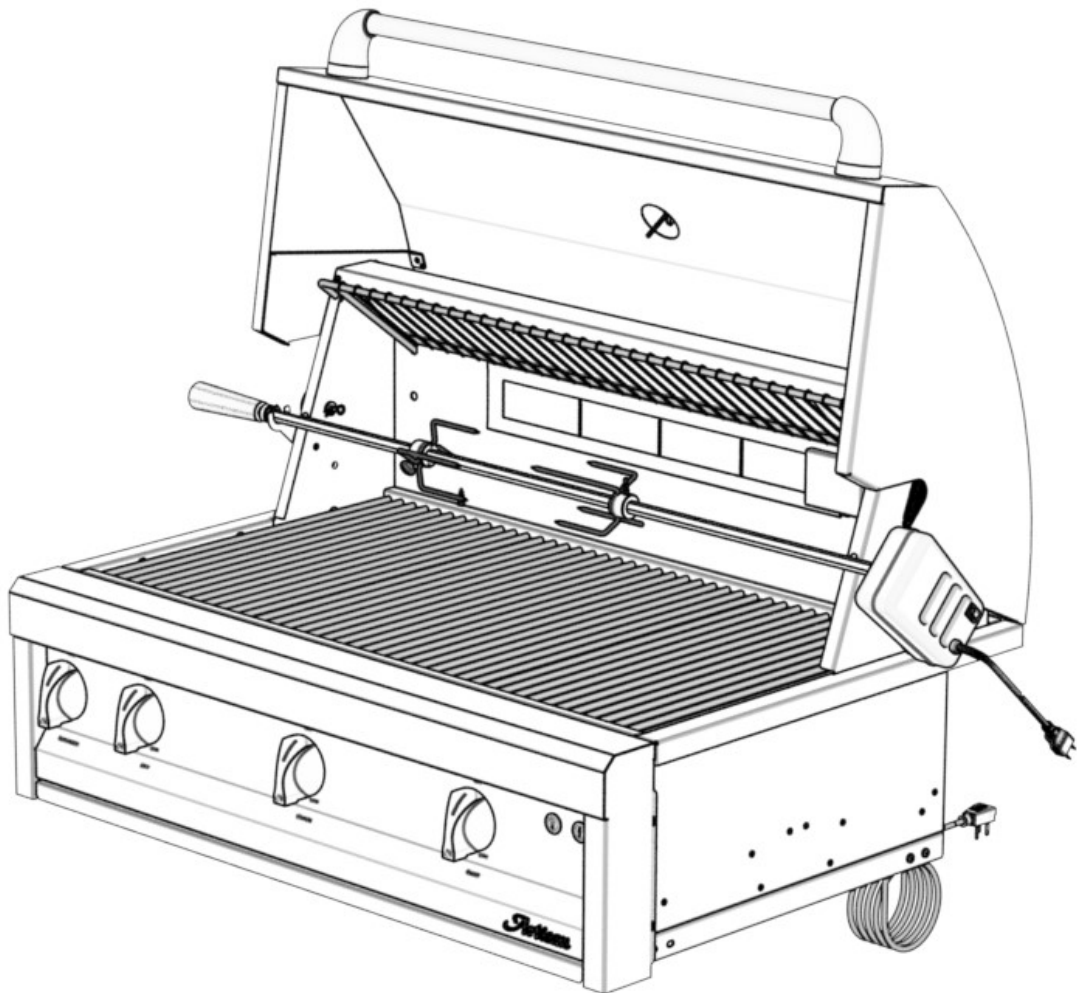
[Find Your Alfresco Grill Parts - Select From 126 Models](#)

----- Manual continues below part list -----

Available Replacement Parts for Alfresco ARTP-36

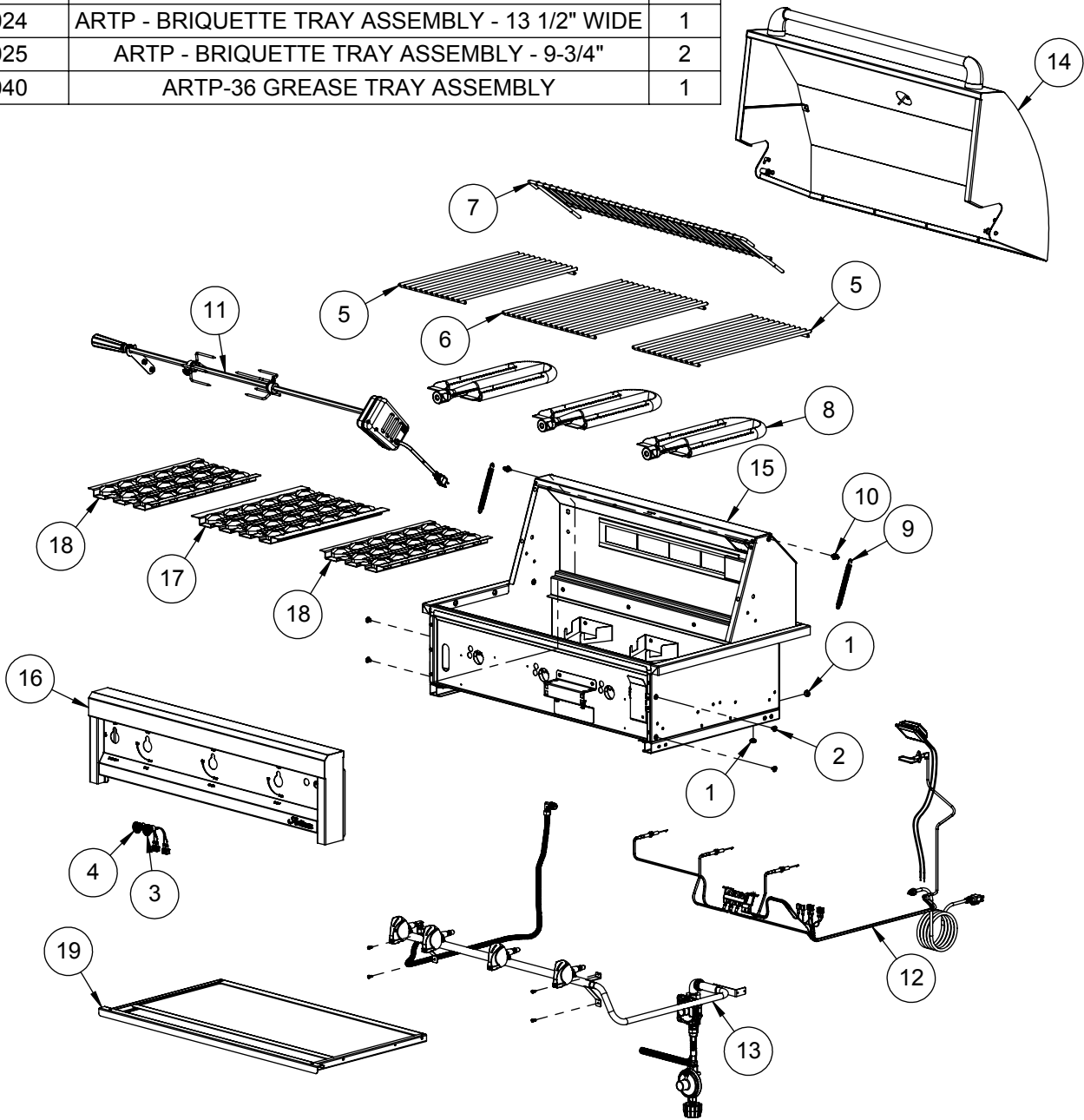
290-0030	Knob for Alfresco
265-0005	CERAMIC BRIQUETTES(24 pcs)
290-0063	HANDLE-END CAP ASSEMBLY.
200-0084	J CLIP
220-0280	REGULATOR-GAS
220-0284	ORIFICE-IR ROTISSERIE UNIT-LP.
210-0240	ELECTRODE-DUAL TIP IR BURNERS.
210-0465	IGNITER MODULE
210-0583	SWITCH - IGNITION - MOMENTARY [ON]/OFF.
100-1895	BRIQUETTE LOCK BAR.
210-0584	SWITCH LIGHT LATCHING.
210-0490	TEMPERATURE GAUGE
210-0491	ELECTRODE AND IGNITER MODULE
290-0320	GAS VALVE, MAIN
290-0355	U-BURNER
290-0447	HOOD SPRING LATCH
220-0431	GAS MANIFOLD - ART2-36 / AAE-36
510-1025	ARTP-BRIQUETTE TRAY ASSEMBLY-9-3/4 INCH

Artisan



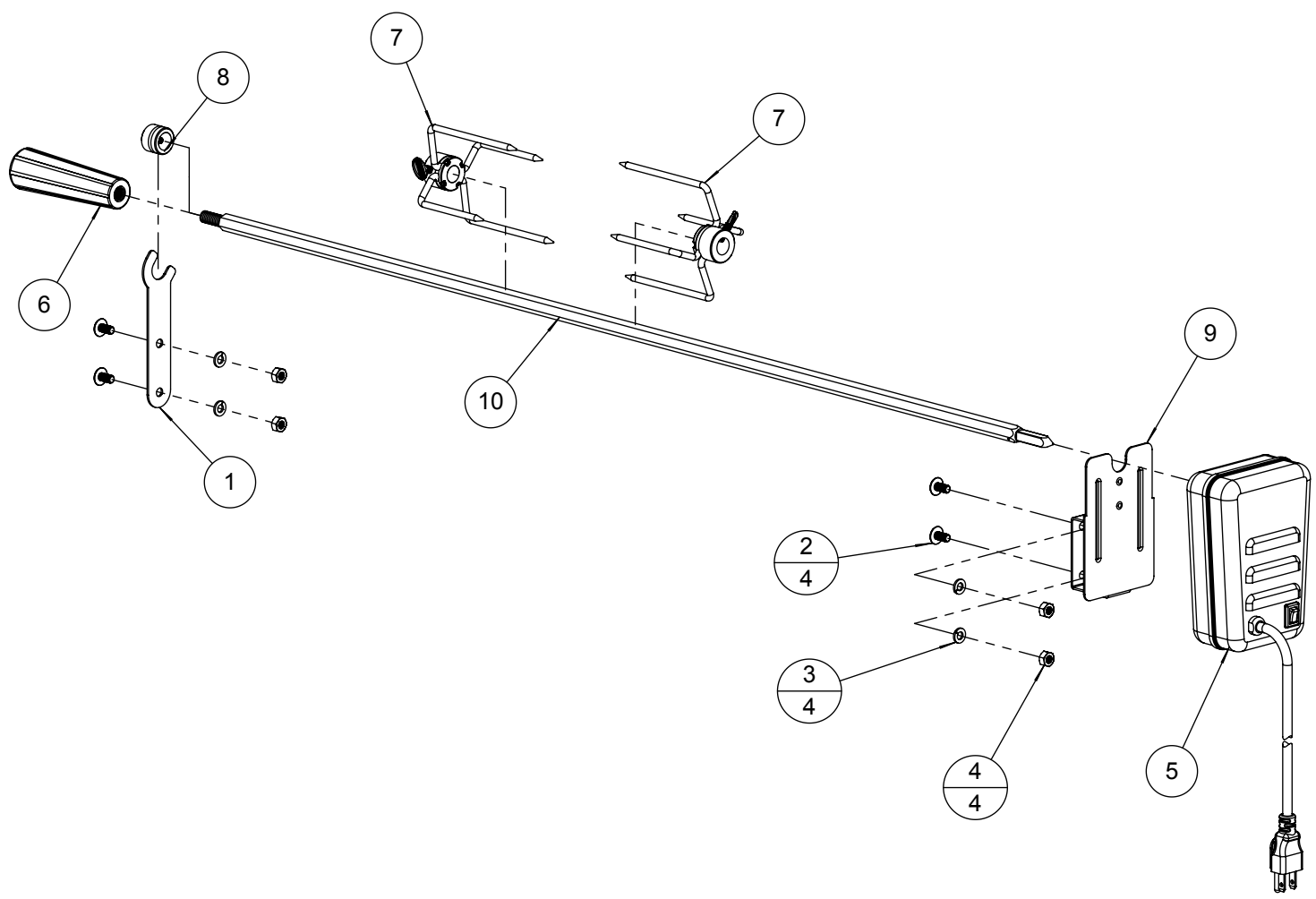
ARTP-36 Parts Manual
Serial Numbers up to 17-99999

ITEM	PART NUMBER	DESCRIPTION	QTY
1	200-0003	GROMMET 3/8" Ø - MMC# 9600K33	2
2	200-0086	1/4-20 X 3/8 - TRUSS HEAD - PHILIPS SCREW	4
3	210-0583	SWITCH - IGNITION - MOMENTARY [ON]/OFF	1
4	210-0584	SWITCH - LIGHT - LATCHING [ON/OFF]	1
5	290-0323	ARTISAN BBQ GRID - 9.8125" WIDE	2
6	290-0324	ARTISAN BBQ GRID - 13.8125" WIDE	1
7	290-0354	ART-36 WARMING GRID	1
8	290-0355	ART BBQ - U-BURNER	3
9	290-0443	SPRING TEMPERED- .513 OD x 4.875 L	2
10	290-0447	ARTP HOOD SPRING LATCH	2
11	510-0552	ART-ROT36 ROTISSERIE KIT	1
12	510-0766	ART2-36 ELECTRICAL COMP. SEE PART DWG.	1
13	510-0767	ART2-36 GAS MANIFOLD - SEE PARTS DWG.	1
14	510-1010	ARTP-36 FRONT HOOD MAIN ASSEMBLY	1
15	510-1011	ARTP-36 BBQ MAIN BODY - SEE PARTS DWG.	1
16	510-1022	ARTP-36 FRONT PANEL	1
17	510-1024	ARTP - BRIQUETTE TRAY ASSEMBLY - 13 1/2" WIDE	1
18	510-1025	ARTP - BRIQUETTE TRAY ASSEMBLY - 9-3/4"	2
19	510-1040	ARTP-36 GREASE TRAY ASSEMBLY	1



BILL OF MATERIALS

ITEM	PART N°	DESCRIPTION	QTY
1	100-2366	ART ROTISSERIE HOLDER BRACKET	1
2	200-0057	SCREW 1/4-20 X 1/2 - TRUSS HEAD - PHILPS	4
3	200-0087	WASHER - 1/4" SPRING LOCK- REGULAR - SS	4
4	200-0090	1/4-20 - DOUBLE CHAMFER - HEX NUT	4
5	210-0493	ARTISAN ROTISSERIE MOTOR	1
6	290-0330	HANDLE - ROTISSERIE SPEAR - ARTISAN	1
7	290-0331	FORK - ARTISAN ROTISSERIE ASSEMBLY (FORK + THUMB SCREW)	2
8	290-0332	BUSHING- ARTISAN ROTISSERIRE BUSHING ASSEMBLY	1
9	290-0333	BRACKET - ARTISAN ROTISSERIE MOTOR MOUNT	1
10	290-0336	SPEAR ROTISSERIE - ARTISAN 36" BBQ	1



A	ITEM NUMBER
B	QUANTITY



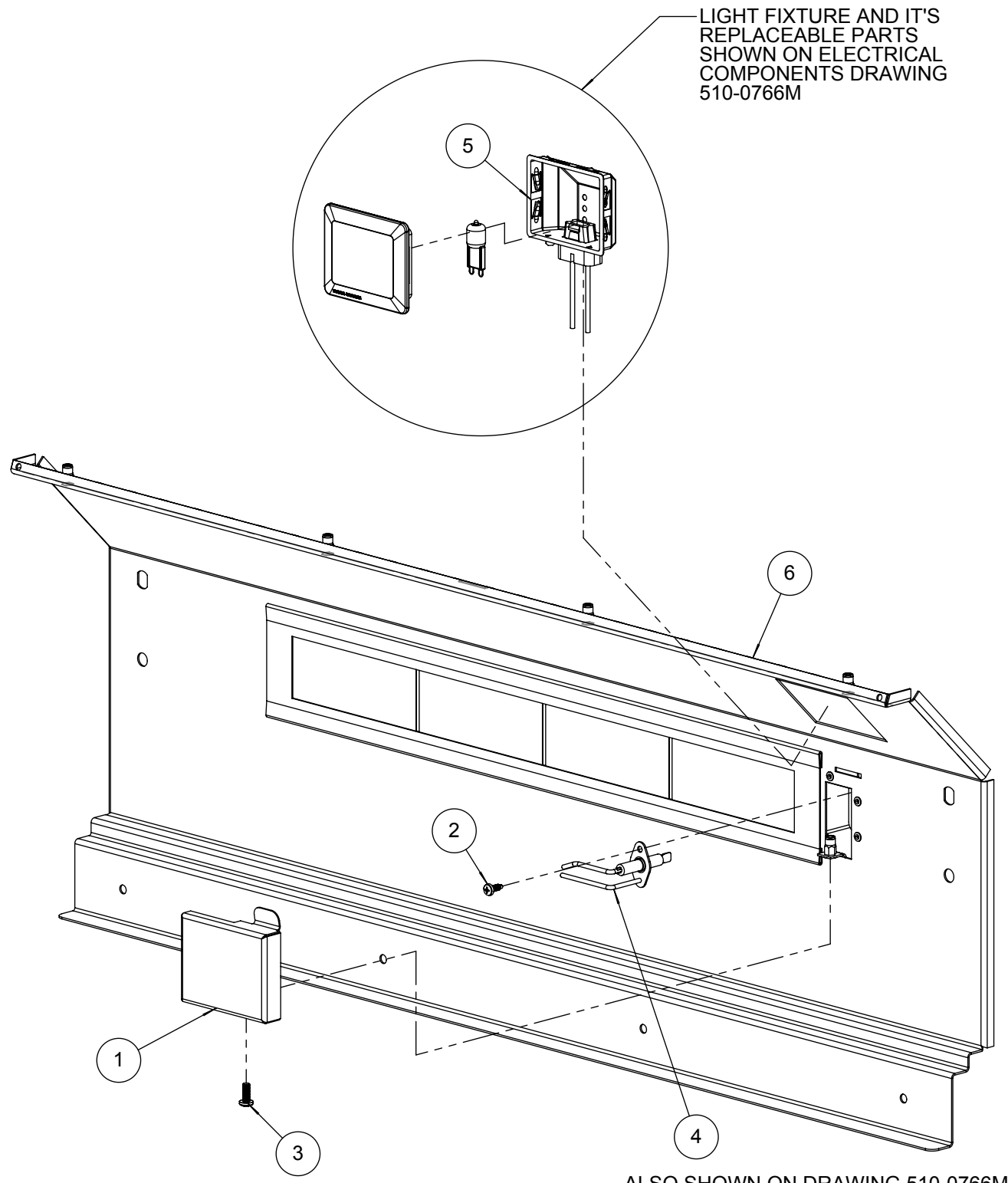
THE INFORMATION CONTAINED IN THIS DRAWING IS THE SOLE PROPERTY OF SUPERIOR EQUIPMENT SOLUTIONS INC. ANY REPRODUCTION IN PART OR AS A WHOLE WITHOUT WRITTEN PERMISSION FROM SUPERIOR EQUIPMENT SOLUTIONS, INC. IS PROHIBITED.
DRAWN BY: ADRIAN CRISCI

PROJECT TITLE:
ART2 GRILLS
 DRAWING TITLE:

DRAWING NO.:
510-0552M

BILL OF MATERIAL

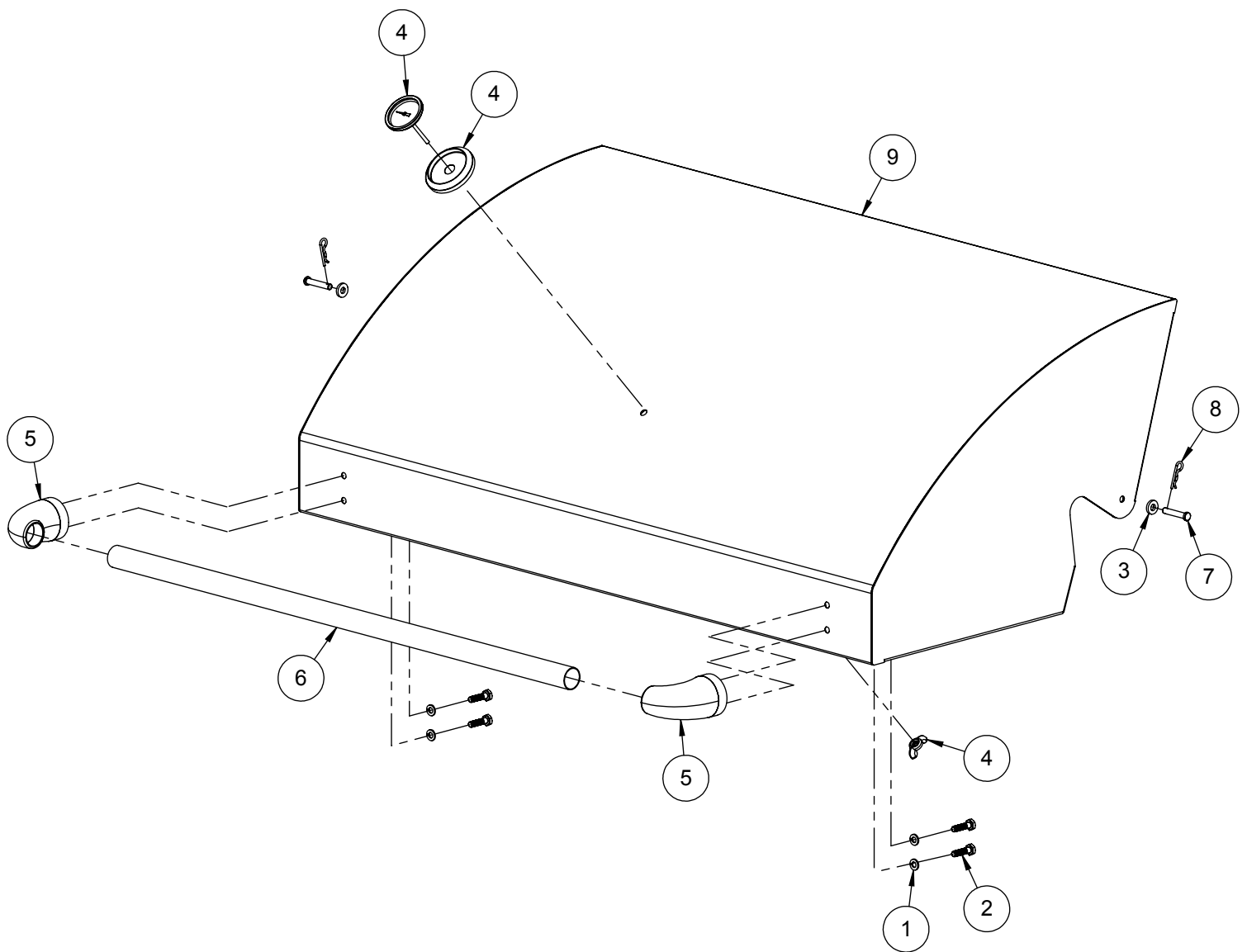
NO.	PART #	DESCRIPTION	QTY
1	100-2363	ART ROTISSERIE ELECTRODE COVER	1
2	200-0111	SCREW 8-18 X 1/2 - SELF TAP - 410 SS	1
3	200-0267	10-32 X 1/2 - PAN HEAD - PHILIPS SCREW	1
4	210-0240	ELECTRODE - DUAL TIP "L" SHAPE- ROTISSERIE	1
5	210-0488	LAMP FIXTURE ASSEMBLY - G9/120V/40W	1
6	510-0744	ART-36 ROTISSERIE BURNER PANEL - WELDED PARTS	1



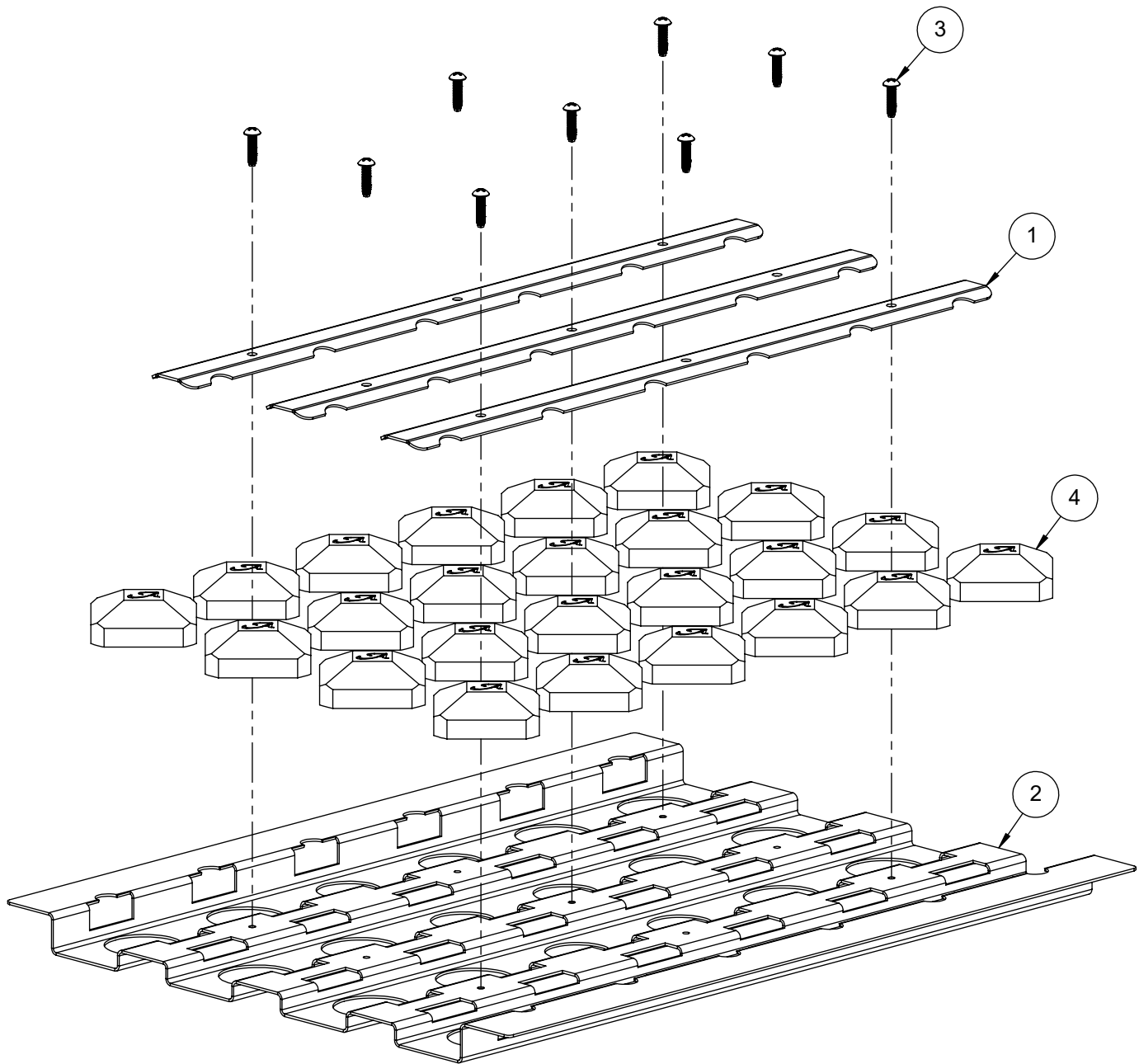
LIGHT FIXTURE AND IT'S
REPLACEABLE PARTS
SHOWN ON ELECTRICAL
COMPONENTS DRAWING
510-0766M

ALSO SHOWN ON DRAWING 510-0766M
AS REFERENCE

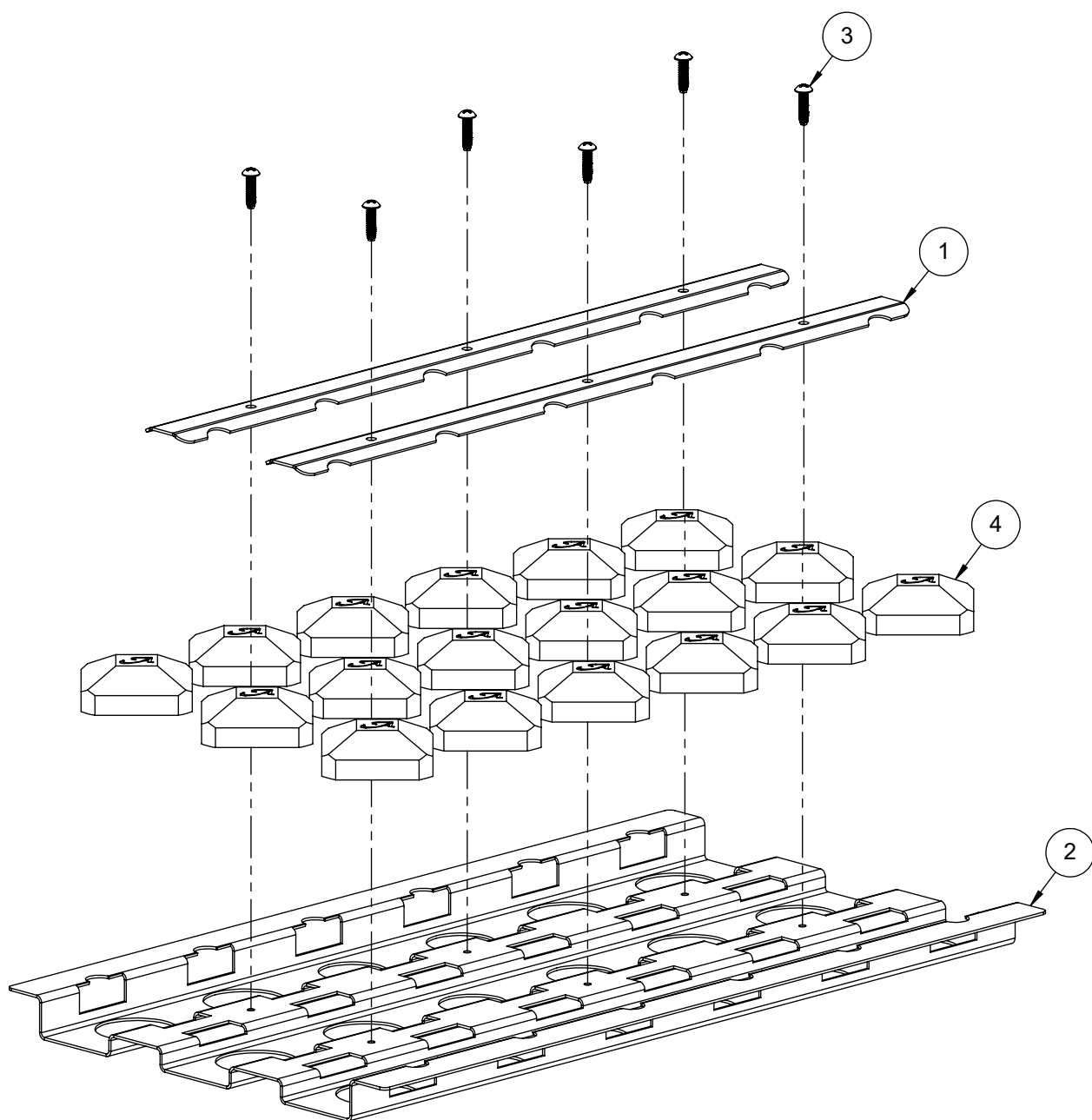
ITEM	PART NUMBER	DESCRIPTION	QTY
1	200-0087	WASHER - 1/4" SPRING LOCK- REGULAR - SS	4
2	200-0091	HH- HD - 1/4-20 x 1 x .75 THREAD	4
3	200-0092	1/4 X 1/8 X 5/8 FLAT WASHER - SPACER	2
4	210-0490	ARTISAN THERMOMETER ASSEMBLY	1
5	290-0063	HANDLE - END CAP ASSEMBLY	2
6	290-0328	ARTISAN 36" BBQ - FRONT HOOD HANDLE BAR	1
7	290-0445	CLEVIS PIN - 1/4"Ø x 1-3/8	2
8	290-0448	COTTER PIN - HAIRPIN 1/4" ~ 3/8" Pin Ø x 1-1/4" L x 5/64" WIRE	2
9	510-1009	ARTP-36 FRONT HOOD - WELDED PARTS	1



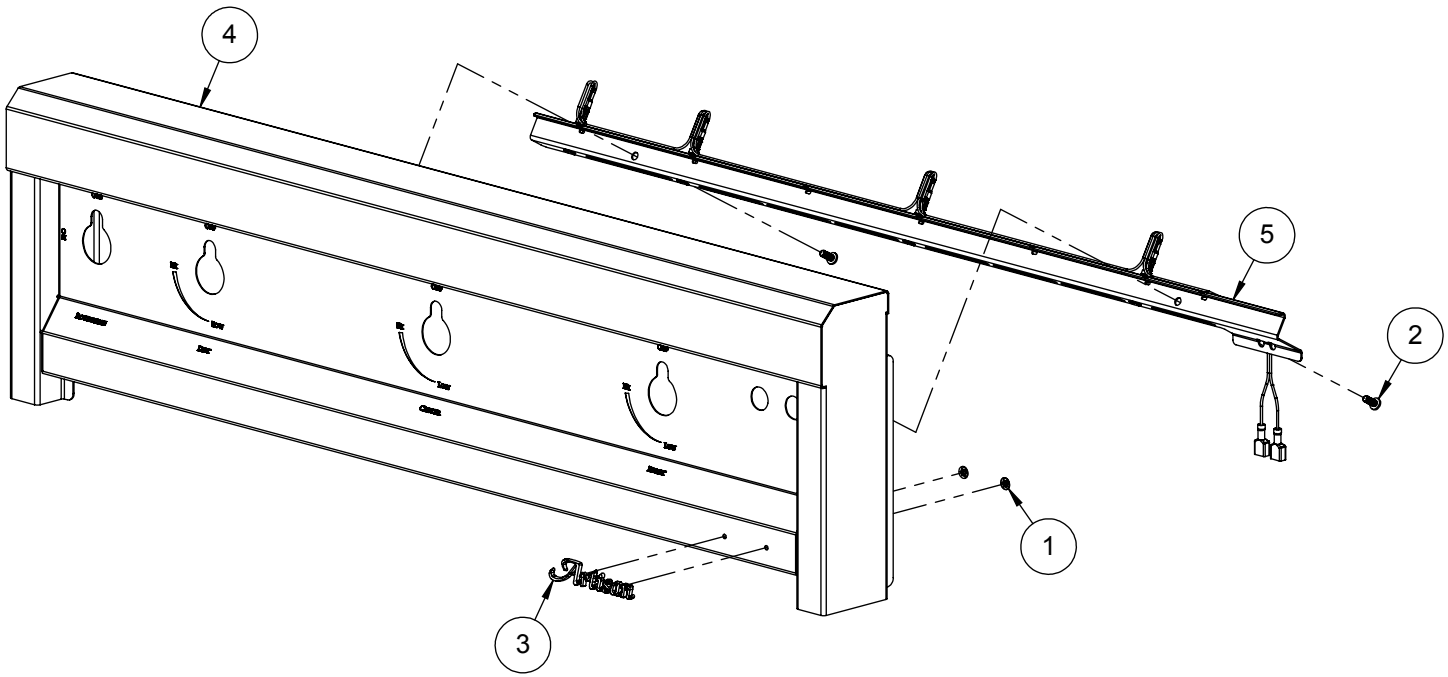
ITEM	PART NUMBER	DESCRIPTION	QTY
1	100-1895	ALX2 - BRIQUETTE LOCK BAR	3
2	100-2668	ARTP - BRIQUETTE TRAY BASE - 13 1/2" WIDE	1
3	200-0314	SCREW 8-32 x 5/8", PAN HEAD, PHILLIPS THREAD CUTTER TYPE F	9
4	265-0005	BRIQUETTE - ALFRESCO CUSTOM	24



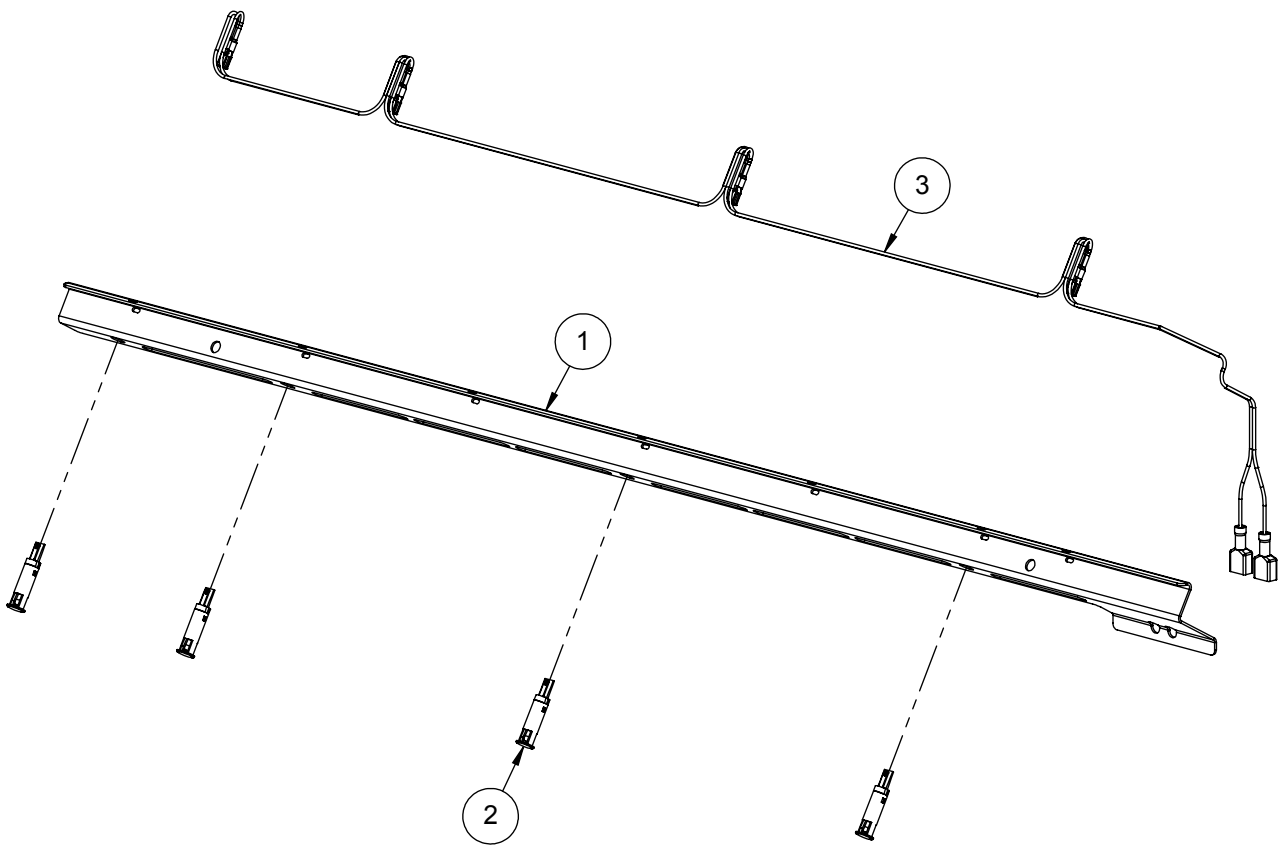
ITEM	PART NUMBER	DESCRIPTION	QTY
1	100-1895	ALX2 - BRIQUETTE LOCK BAR	2
2	100-2669	ARTP - BRIQUETTE TRAY BASE	1
3	200-0314	SCREW 8-32 x 5/8", PAN HEAD, PHILLIPS THREAD CUTTER TYPE F	6
4	265-0005	BRIQUETTE - ALFRESCO CUSTOM	18



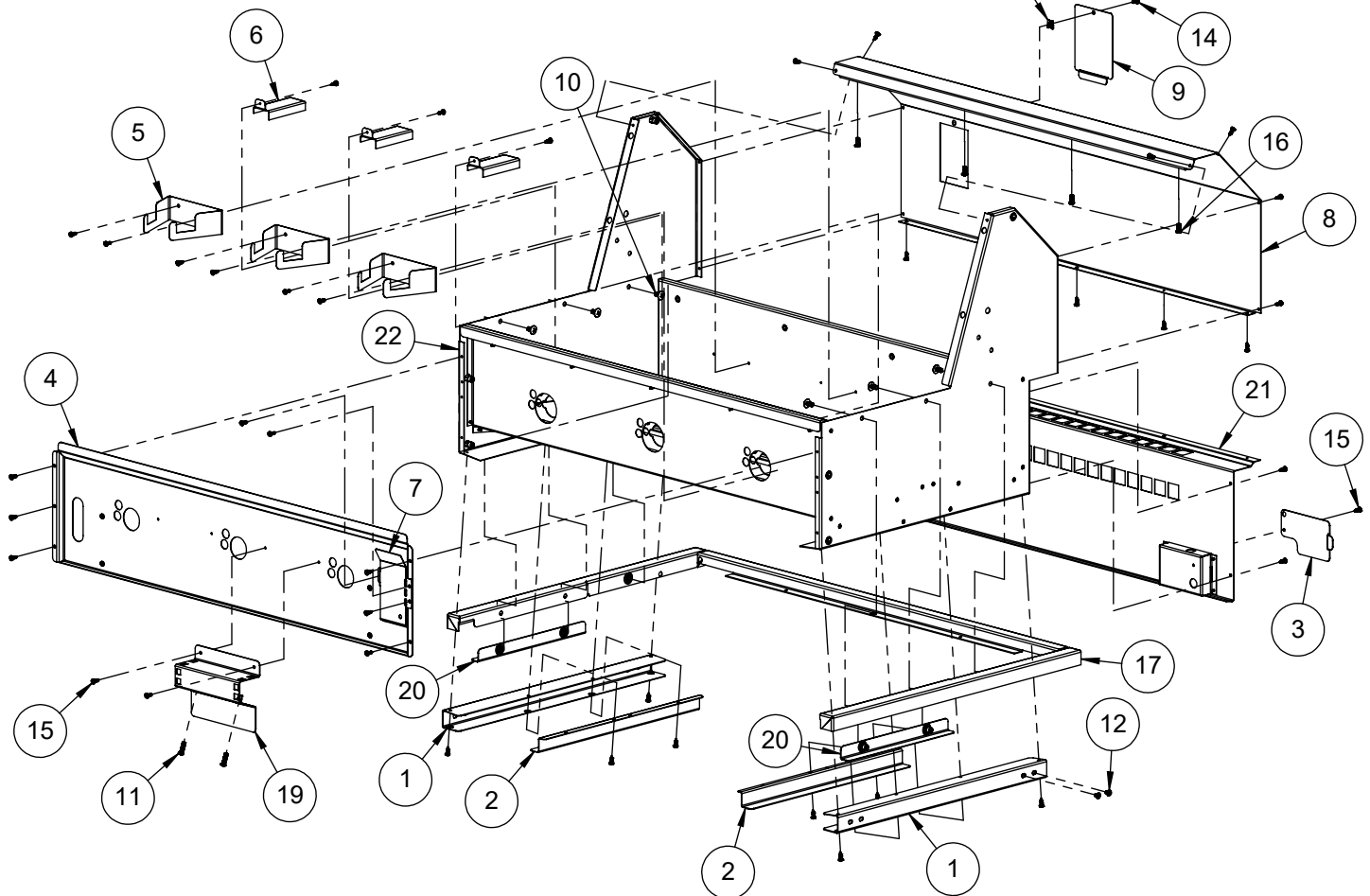
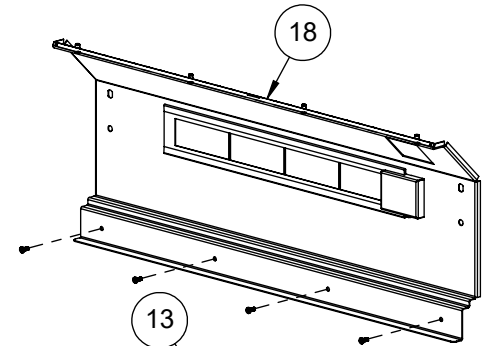
ITEM	PART NUMBER	DESCRIPTION	QTY
1	200-0093	WASHER - PUSH LOCK 1/8" ID X 3/8" OD (LOGO)	2
2	200-0267	10-32 X 1/2 - PAN HEAD - PHILLIPS SCREW	2
3	290-0356	ARTISAN LOGO	1
4	510-1023	ARTP-36 FRONT PANEL - WELDED PARTS	1
5	510-1028	ARTP-36 FRONT PANEL - LIGHT ASSEMBLY	1



ITEM	PART NUMBER	DESCRIPTION	QTY
1	100-2670	ARTP-36 FRONT PANEL LIGHT BRACKET	1
2	210-0624	Pilot Light - Blue LED, 8mm Ø, 110 VAC	4
3	210-0629	ARTP-32 / 36 Front panel lighting harness	1



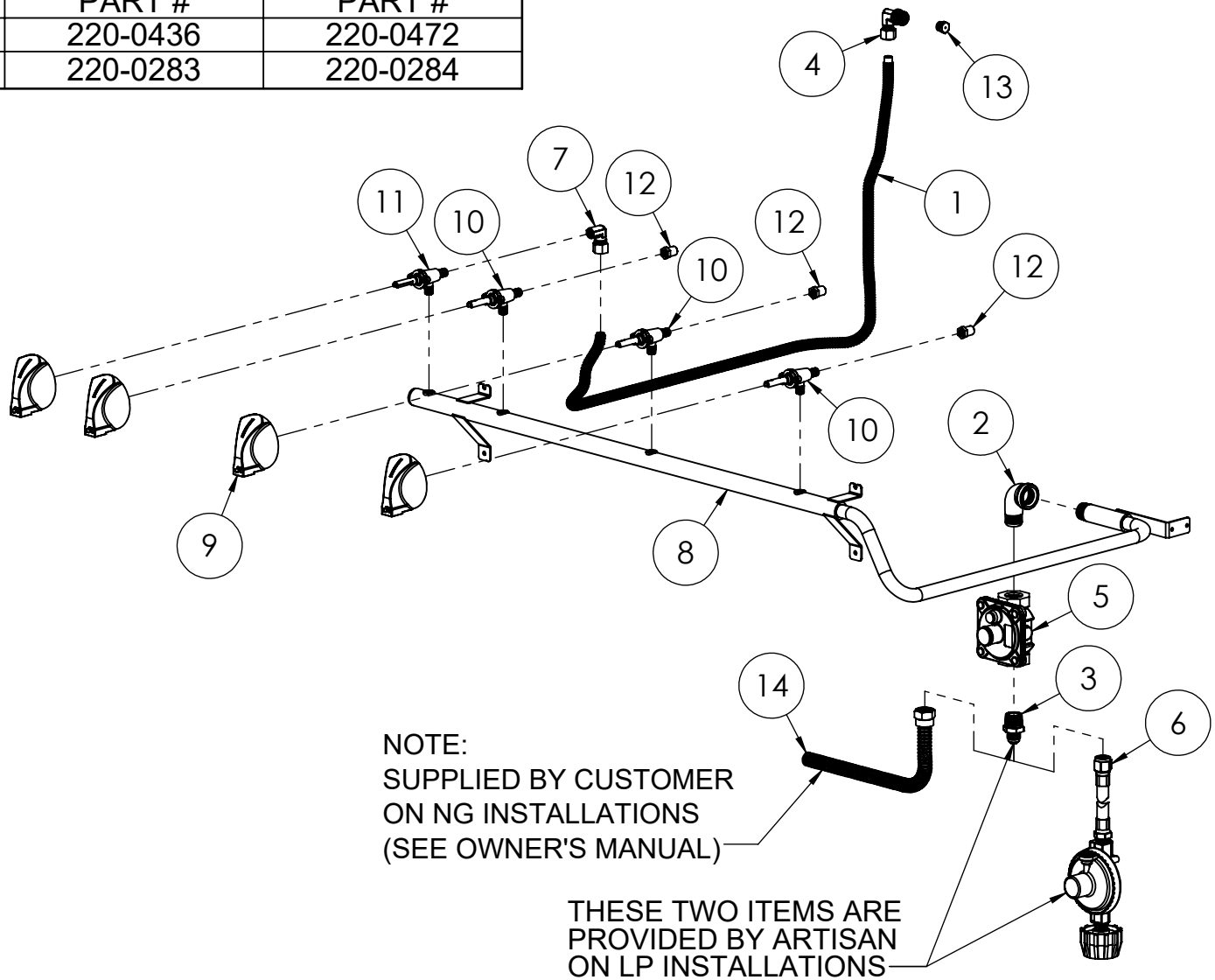
ITEM	PART NUMBER	DESCRIPTION	QTY
1	100-2024	FIREBOX TRAY SLIDE PART-A	2
2	100-2025	FIREBOX TRAY SLIDE PART-B	2
3	100-2370	ART2 - ELECTRICAL BOX COVER	1
4	100-2372	ART-36 FIREWALL	1
5	100-2373	ART - BURNER BRACKET	3
6	100-2374	ART - IGNITER COVER - STANDARD	3
7	100-2666	ARTP BUTTONS SHIELD - BRACKET	1
8	150-2334	ARTP-36 BACK HOOD - REAR COVER	1
9	150-2335	BACK HOOD - COVER	1
10	200-0057	SCREW 1/4-20 X 1/2 - TRUSS HEAD - PHILLIPS	6
11	200-0062	10-32 X 3/4 - PAN HEAD - PHILLIPS SCREW	2
12	200-0082	10-32 X 1/4 - PAN HEAD - PHILIPS SCREW	2
13	200-0084	8-32 TINNEMAN® TYPE NUT - "J" CLIP	1
14	200-0085	8-32 X 3/8 - TRUSS HEAD - PHILIPS SCREW	1
15	200-0111	SCREW 8-18 X 1/2 - SELF TAP - 410 SS	51
16	200-0267	10-32 X 1/2 - PAN HEAD - PHILLIPS SCREW	8
17	510-0742	ART2-36 - PERIMETER RING	1
18	510-0743	ART-36 ROTISSERIE BURNER PANEL	1
19	510-0747	ART2 IGNITER BRACKET ASSEMBLY	1
20	510-0748	ART - PERIMETER MOUNTING BRACKET	2
21	510-0865	ART2-36 FIREBOX REAR COVER ASSEMBLY	1
22	510-1016	ARTP-36 FIREBOX - RIVETED PARTS	1



ITEM	PART NUMBER	DESCRIPTION	QTY
1	100-1949	ROTISSERIE LINE - 36" L x 3/8" ID	1
2	200-0274	ELBOW 90° - CAST IRON - 1/2" FPT x 1/2" MPT	1
3	220-0275	NIPPLE - 1/2" MPT X 3/8" OD FL	1
4	220-0276	ELBOW .375 MPT x .375 COMP	1
5	220-0280	REGULATOR GAS - MAXITROL RV48CL440002	1
6	220-0301	REGULATOR - LP GAS W/36" HOSE - CONN. GREEN	1
7	220-0399	ELBOW 1/8-27 FPT x 3/8" Ø COMPRESSION	1
8	220-0431	GAS MANIFOLD	1
9	290-0030	KNOB BBQ - ALFRESCO "A" LETTER	4
10	290-0320	GAS VALVE - 1/8-27 MPT X 1/8-27 NPTS	3
11	290-0321	VALVE - GAS - [ON/OFF] FLOW - 1/8-27 MPT X 1/8-27 NPTS	1
12	SEE NOTE	ORIFICE - MAIN BURNER - (SEE NOTE FOR SIZING)	3
13	SEE NOTE	ORIFICE - IR ROTISSERIE UNIT (SEE NOTE FOR SIZING)	1
14	SEE NOTE	1/2" ODF - FLEX SS GAS LINE (BY CUSTOMER)	1

NOTE: ORIFICE OR VALVE ASSEMBLY TO CHANGE ACCORDING TO FUEL SUPPLY: NATURAL GAS OR LIQUID PROPANE.

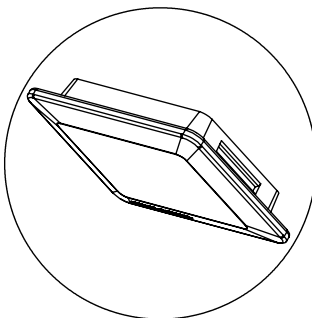
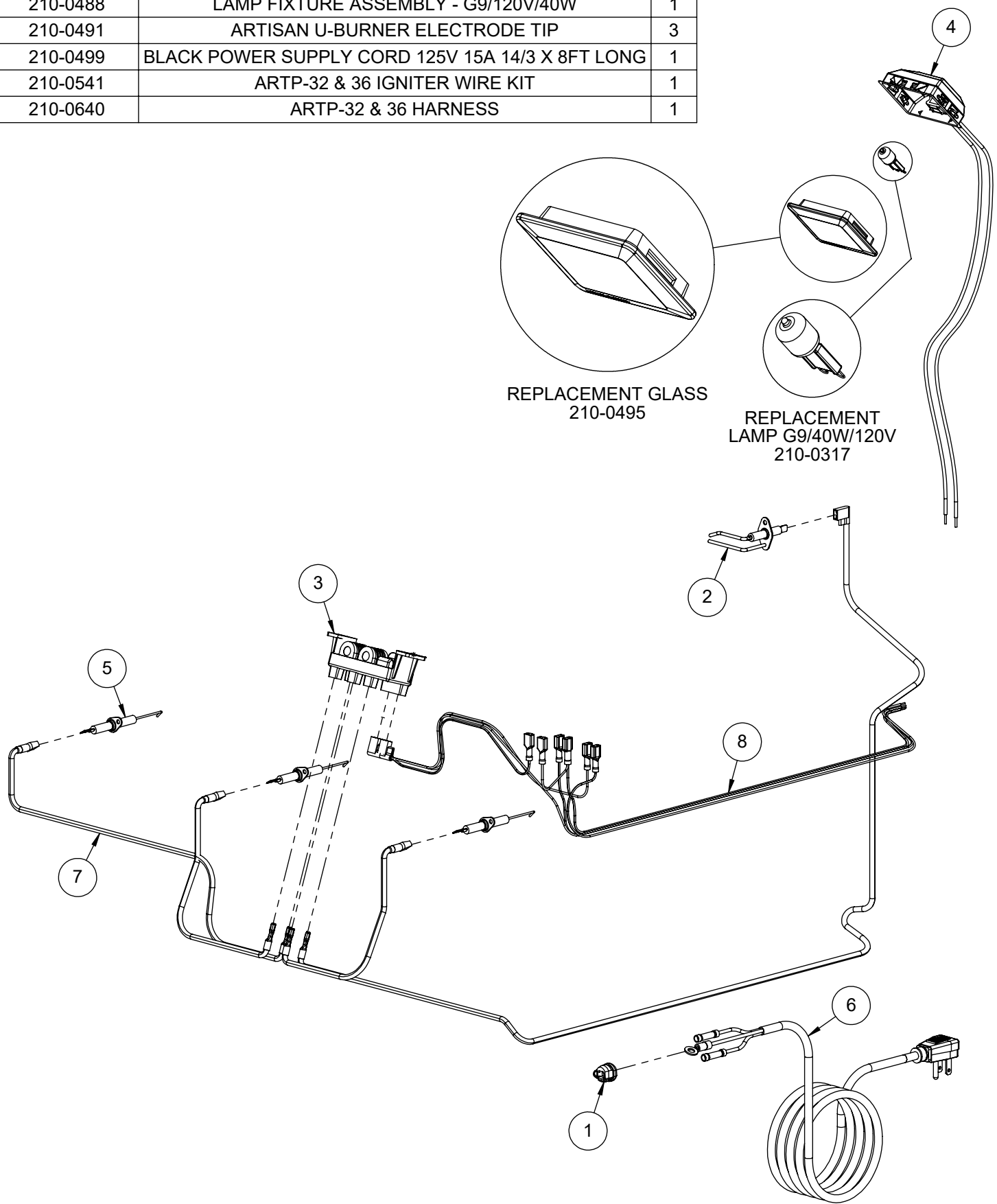
ITEM	NG	LP
	PART #	PART #
12	220-0436	220-0472
13	220-0283	220-0284



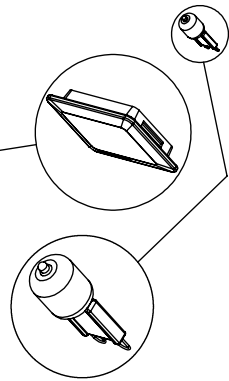
NOTE:
SUPPLIED BY CUSTOMER
ON NG INSTALLATIONS
(SEE OWNER'S MANUAL)

THESE TWO ITEMS ARE
PROVIDED BY ARTISAN
ON LP INSTALLATIONS

ITEM	PART NUMBER	DESCRIPTION	QTY
1	200-0009	HEYCO STRESS RELIEF BUSHING # 1200 SR 6N3-4	1
2	210-0240	ELECTRODE - DUAL TIP "L" SHAPE- ROTISSERIE	1
3	210-0465	IGNITER MODULE (4 POINTS)	1
4	210-0488	LAMP FIXTURE ASSEMBLY - G9/120V/40W	1
5	210-0491	ARTISAN U-BURNER ELECTRODE TIP	3
6	210-0499	BLACK POWER SUPPLY CORD 125V 15A 14/3 X 8FT LONG	1
7	210-0541	ARTP-32 & 36 IGNITER WIRE KIT	1
8	210-0640	ARTP-32 & 36 HARNESS	1



REPLACEMENT GLASS
210-0495



REPLACEMENT LAMP G9/40W/120V
210-0317