

This Owner's Manual is provided and hosted by [Appliance Factory Parts](#).



Alfresco ARTP-SB2 Owner's Manual

[Shop genuine replacement parts for Alfresco
ARTP-SB2](#)



[Find Your Alfresco Grill Parts - Select From 126 Models](#)

----- Manual continues below part list -----

Available Replacement Parts for Alfresco ARTP-SB2

290-0030	Knob for Alfresco
100-0917	GAS LINE 8 IN L X 3/8 IN DIA FLEX SS TUB
220-0280	REGULATOR-GAS
290-0222	Inner Cap.
220-0291	Orifice, NG.
220-0292	Orifice, LP
210-0583	SWITCH - IGNITION - MOMENTARY [ON]/OFF.
210-0584	SWITCH LIGHT LATCHING.
290-0320	GAS VALVE, MAIN

Artisan™

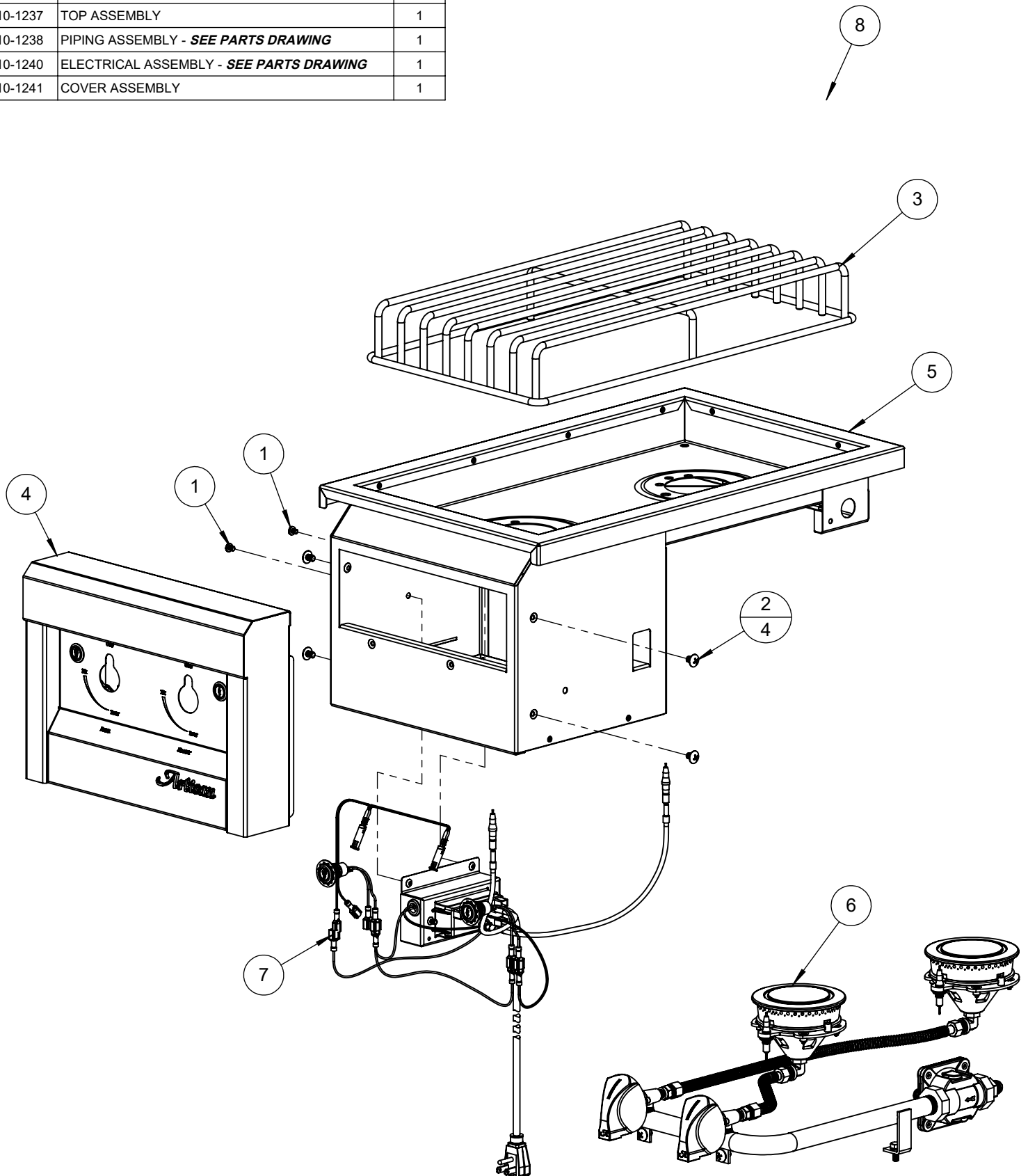


ARTP-SB2

BUILT-IN DUAL SIDE BURNER UNIT

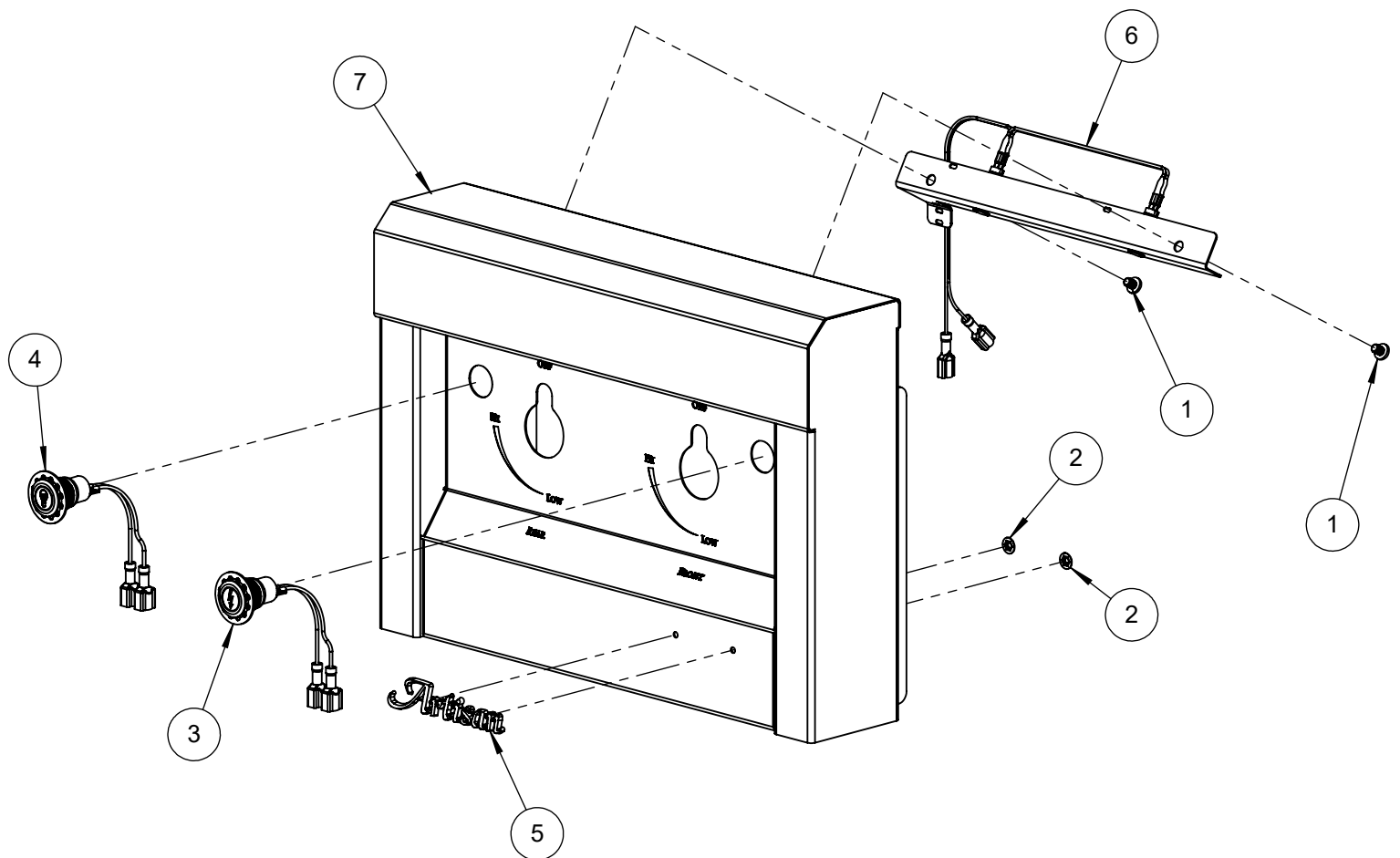
BILL OF MATERIALS

NO.	PART #	DESCRIPTION	QTY.
1	200-0082	10-32 X 1/4 - PAN HEAD - PHILIPS SCREW	2
2	200-0086	1/4-20 X 3/8 - TRUSS HEAD - PHILIPS SCREW	4
3	290-0069	GRATE - DUAL SIDE BURNER	1
4	510-1236	FRONT PANEL ASSEMBLY - <i>SEE PARTS DRAWING</i>	1
5	510-1237	TOP ASSEMBLY	1
6	510-1238	PIPING ASSEMBLY - <i>SEE PARTS DRAWING</i>	1
7	510-1240	ELECTRICAL ASSEMBLY - <i>SEE PARTS DRAWING</i>	1
8	510-1241	COVER ASSEMBLY	1



BILL OF MATERIAL			
NO.	PART #	DESCRIPTION	QTY.
1	200-0082	10-32 X 1/4 - PAN HEAD - PHILIPS SCREW	2
2	200-0093	WASHER - PUSH LOCK 1/8" ID X 3/8" OD (LOGO)	2
3	210-0583	SWITCH - IGNITION - MOMENTARY [ON]/OFF	1
4	210-0584	SWITCH - LIGHT - LATCHING [ON/OFF]	1
5	290-0356	ARTISAN LOGO	1
6	510-1239	LIGHT ASSEMBLY - <i>SEE PARTS IN ASSEMBLY 510-1240 M1</i>	1
7	510-1245	FRONT ASSEMBLY - WELDED PARTS	1

FOR REFERENCE ONLY SEE PARTS IN ELECTRICAL ASSEMBLY 510-1240 M1

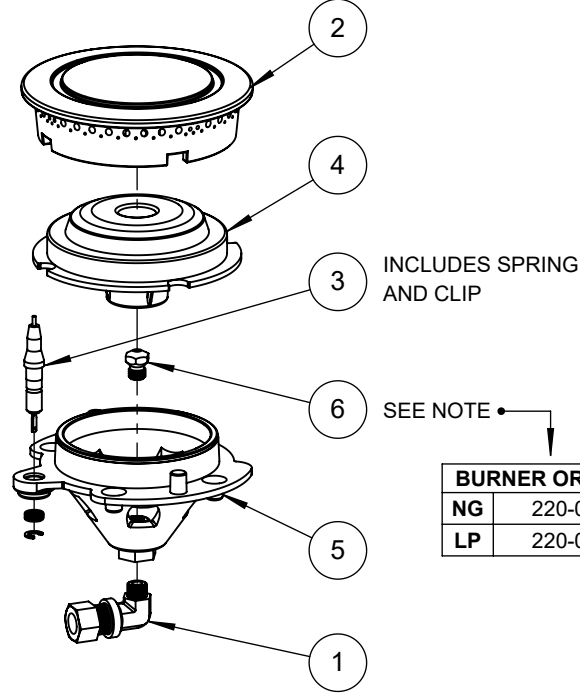


BILL OF MATERIALS - SIDE BURNER ONLY

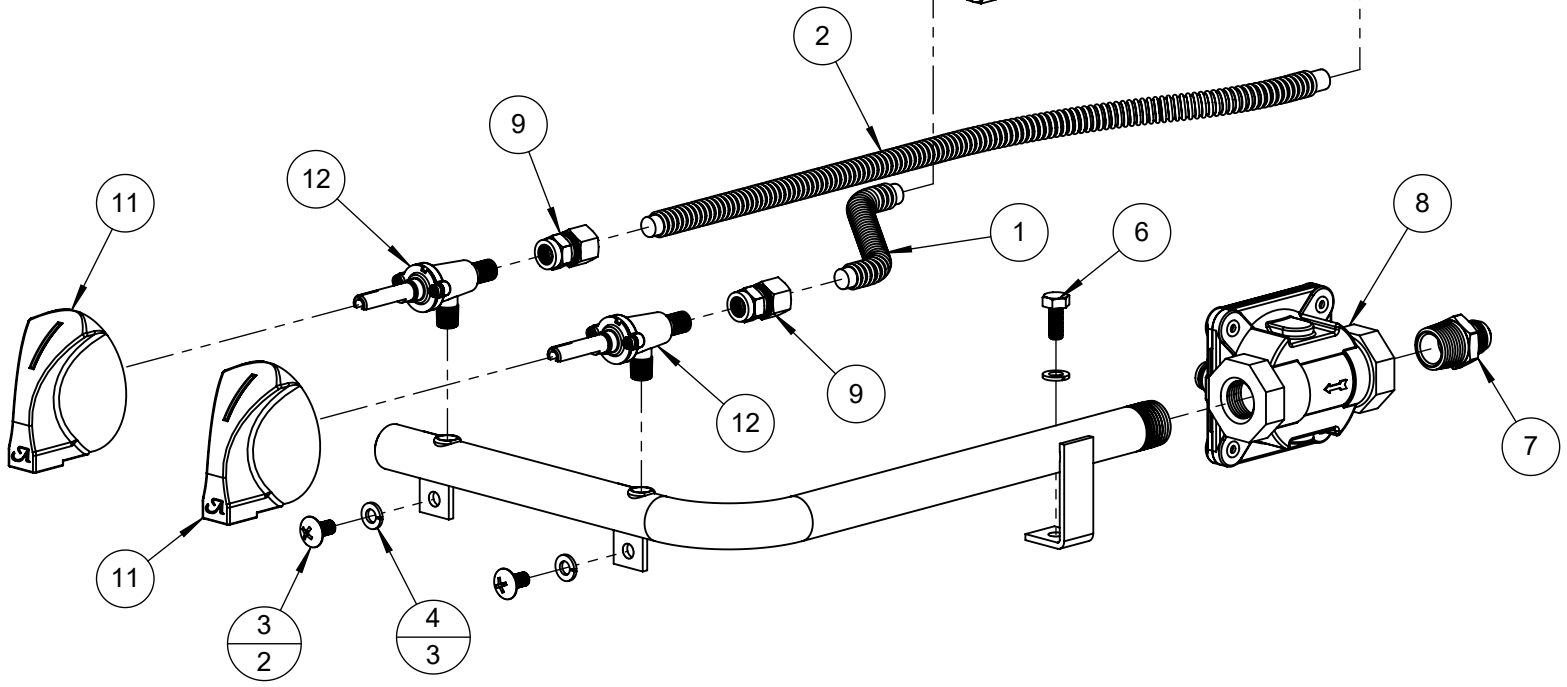
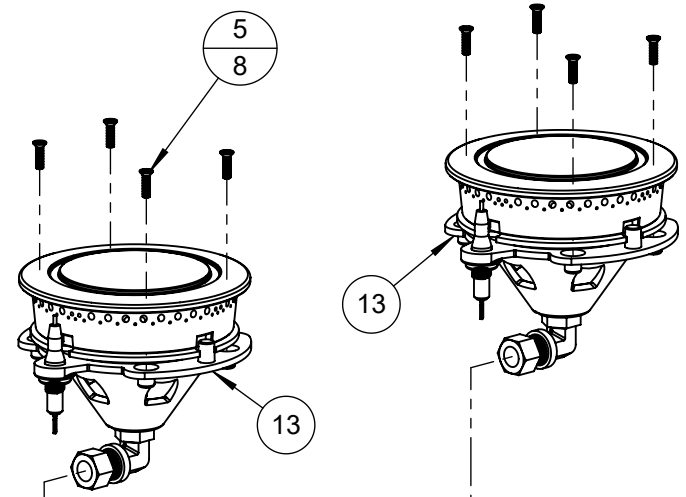
NO.	PART #	DESCRIPTION	QTY
1	220-0293	ELBOW .125 FPT x .375 COMP (SIDE BURNER)	1
2	290-0072	SIDE BURNER - EXTERIOR CAP	1
3	290-0074	ELECTRODE ASSEMBLY	1
4	290-0222	SIDE BURNER - INNER CAP	1
5	290-0344	SIDE BURNER BODY	1
6	SEE NOTE	SIDE BURNER ORIFICE ► SEE NOTE	1

BILL OF MATERIALS - PIPING ASSEMBLY

NO.	PART #	DESCRIPTION	QTY
1	100-0917	3/8" Ø X 8" FLEX GAS LINE	1
2	100-0941	3/8"Ø X 24" FLEX GAS LINE	1
3	200-0057	SCREW 1/4-20 X 1/2 - TRUSS HEAD - PHILLIPS	2
4	200-0087	WASHER - 1/4" SPRING LOCK- REGULAR - SS	3
5	200-0098	SCREW 6-32 X 1/2" - FLAT HEAD 82° - PHILIPS	8
6	200-0219	SCREW 1/4-20 UNC X 5/8 LONG - HEX HD - SS	1
7	220-0275	NIPPLE - 1/2" MPT X 3/8" OD FL	1
8	220-0280	REGULATOR GAS - MAXITROL RV48CL440002	1
9	220-0438	COUPLING 3/8 NPTF X 3/8 COMPRESSION	2
10	220-0487	GAS MANIFOLD - DUAL BURNER	1
11	290-0030	GAS KNOB WITH "A" LOGO	2
12	290-0320	GAS VALVE - 1/8-27 MPT X 1/8-27 NPTS	2
13	SEE NOTE	SIDE BURNER ASSEMBLY ► SEE PARTS	2



BURNER ORIFICES	
NG	220-0291
LP	220-0292



BILL OF MATERIALS

NO.	PART #	DESCRIPTION	QTY
1	100-3082	J-BOX	1
2	200-0004	GROMMET 9/16" OD, 1/16" MAT'L, 7/16" ID	1
3	200-0009	HEYCO STRESS RELIEF BUSHING # 1200 SR 6N3-4	1
4	200-0267	10-32 X 1/2 - PAN HEAD - PHILLIPS SCREW	2
5	200-0320	SCREW 8-32 x 3/8 - GROUNDING SCREW	1
6	210-0248	SIDE BURNER ELECTRODE A1202-E	2
7	210-0464	IGNITER MODULE (2 POINTS)	1
8	210-0499	NEMA 5-15 - 90° PLUG 18/3 EXTENSION CORD	1
9	210-0583	SWITCH - IGNITION - MOMENTARY [ON]/OFF	1
10	210-0584	SWITCH - LIGHT - LATCHING [ON/OFF]	1
11	210-0624	LIGHT - BLUE LED - 8mm Ø - 110 VAC	2
12	210-0675	LIGHT HARNESS	1
13	210-0677	ELECTRICAL WIRING KIT	1
14	210-0678	IGNITER WIRING KIT	1

ELECTRODES SHOWN AS REFERENCE PART OF PIPING ASSEMBLY 510-1238

