

This Owner's Manual is provided and hosted by [Appliance Factory Parts](#).



Alfresco ART-SB1 Owner's Manual

[Shop genuine replacement parts for Alfresco ART-SB1](#)



[Find Your Alfresco Grill Parts - Select From 126 Models](#)

----- Manual continues below -----

Artisan



ART-SB1

BUILT-IN SIDE BURNER UNIT

Artisan
SUPERIOR EQUIPMENT SOLUTIONS
7039 EAST SLAUSON AVENUE
COMMERCE, CA. 90040

THE INFORMATION CONTAINED IN THIS DRAWING IS THE SOLE PROPERTY OF SUPERIOR EQUIPMENT SOLUTIONS INC. ANY REPRODUCTION IN PART OR AS A WHOLE WITHOUT WRITTEN PERMISSION FROM SUPERIOR EQUIPMENT SOLUTIONS, INC. IS PROHIBITED.

DRAWN BY: ADRIAN CRISCI
CREATED: 6/22/2011 9:43:51 AM

PROJECT TITLE:
ARTISAN SIDE BURNER

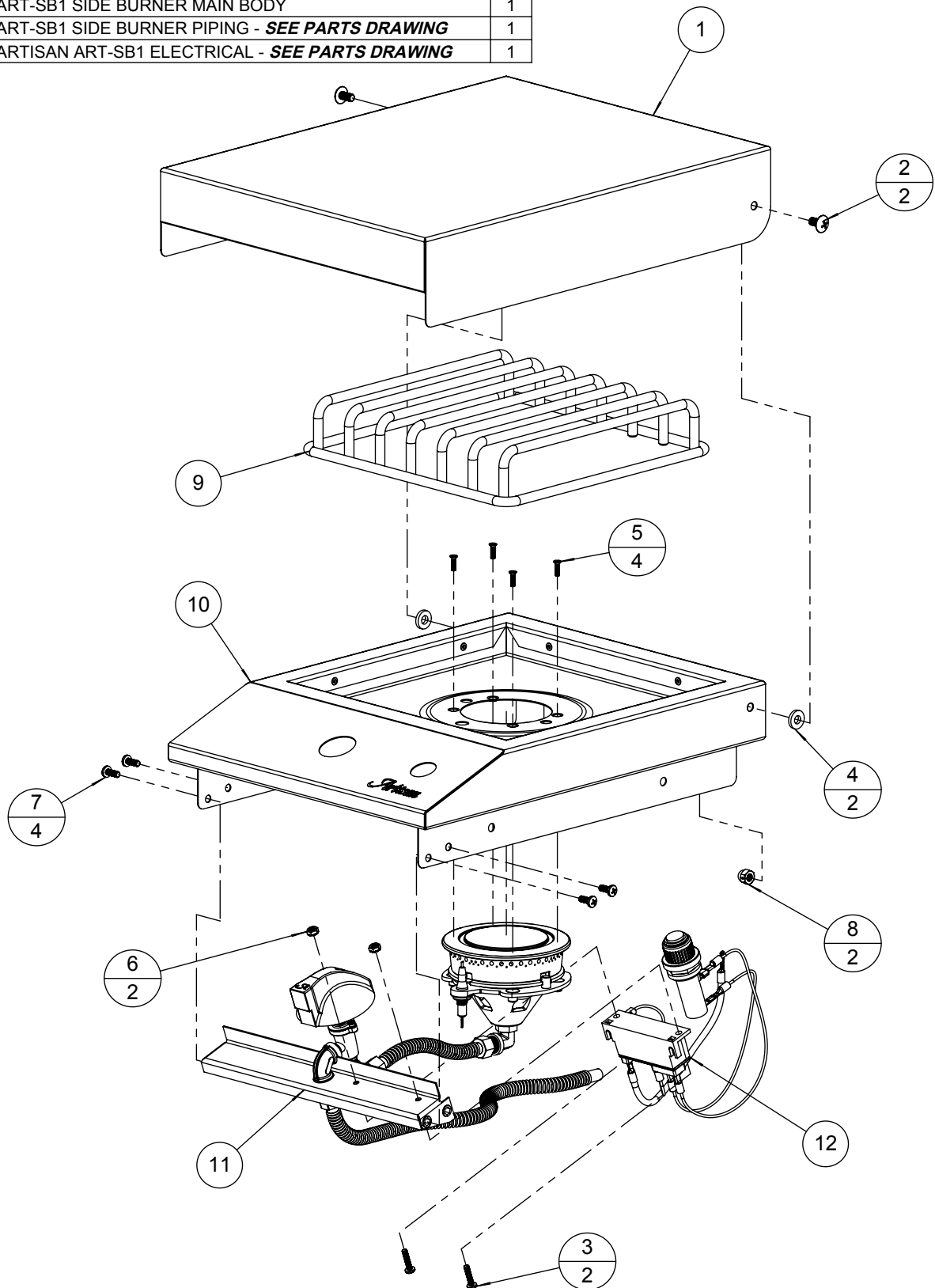
DRAWING TITLE:
PARTS AND COMPONENTS MANUAL

DRAWING NO.:
500-0098 MANU

SHEET 1 C

BILL OF MATERIALS

ITEM	PART N°	DESCRIPTION	QTY
1	100-2128	ART-SB1 COVER	1
2	200-0057	SCREW 1/4-20 X 1/2 - TRUSS HEAD - PHILIPS	2
3	200-0079	8-32 X 3/4 - PAN HEAD - PHILIPS SCREW	2
4	200-0092	1/4 X 1/8 X 5/8 FLAT WASHER - SPACER	2
5	200-0098	SCREW 6-32 X 1/2" - FLAT HEAD 82° - PHILIPS	4
6	200-0206	8-32 KEP NUT 18-8 STAINLESS	2
7	200-0267	10-32 X 1/2 - PAN HEAD - PHILIPS SCREW	4
8	200-0313	NUT 1/4 x 20 - ACORN - SELF LOCKING	2
9	290-0340	ART-SB1 GRID	1
10	510-0615	ART-SB1 SIDE BURNER MAIN BODY	1
11	510-0618	ART-SB1 SIDE BURNER PIPING - SEE PARTS DRAWING	1
12	510-0658	ARTISAN ART-SB1 ELECTRICAL - SEE PARTS DRAWING	1



Artisan
 SUPERIOR EQUIPMENT SOLUTIONS
 7039 EAST SLAUSON AVENUE
 COMMERCE, CA. 90040

THE INFORMATION CONTAINED IN THIS DRAWING IS THE SOLE PROPERTY OF SUPERIOR EQUIPMENT SOLUTIONS INC. ANY REPRODUCTION IN PART OR AS A WHOLE WITHOUT WRITTEN PERMISSION FROM SUPERIOR EQUIPMENT SOLUTIONS, INC. IS PROHIBITED.

DRAWN BY: ADRIAN CRISCI
CREATED: 7/12/2011 1:15:50 PM

PROJECT TITLE:
ARTISAN SIDE BURNER

DRAWING TITLE:
ART-SB1 SIDE BURNER ASSEMBLY

DRAWING NO.:
500-0098 MANUAL

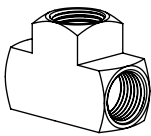
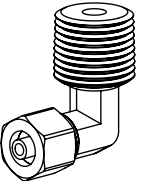
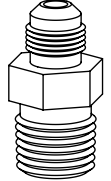
BILL OF MATERIALS

ITEM	PART N°	DESCRIPTION	QTY.
1	100-0914	GAS LINE - 3/8" Ø X 42" L - FLEX RIBBED - SS	1
2	100-0917	3/8"Ø SS X 8" L GAS LINE - FLEX RIBBED - SS	1
3	220-0399	ELBOW 1/8-27 FPT x 3/8" Ø COMPRESSION	1
4	220-0410	NIPPLE 1/8 NPT x 3/8 UNF (OD) - BRASS	1
5	290-0030	KNOB BBQ - ALFRESCO "A" LETTER	1
6	290-0320	VALVE - GAS - VARIABLE FLOW - 1/8-27 MPT X 1/8-27 NPTS	1
7	510-0616	ART-SB1 SIDE BURNER VALVE BRAKET ASSEMBLY	1
8	SEE NOTE	SIDE BURNER ASSEMBLY >>> SEE NOTE	1

NOTE: COMPLETE BURNER KIT

NG	290-0342
LP	290-0343

ADDITIONAL COMPONENTS PROVIDED AS REQUIRED

220-0412 1/2" NPTF TEE BRASS	
220-0411 1/2" NPT X 3/8 ODF ELBOW - BRASS	
220-0405 1/2" NPT X 3/8 ODF NIPPLE- STEEL FOR LP SYSTEMS ONLY!	

REPLACEMENT EXTERIOR CAP 290-0072

REPLACEMENT INTERIOR CAP 290-0222

REPLACEMENT ELECTRODE 290-0074 (INCLUDES SPRING AND CLIP)

BURNER BODY 290-0344

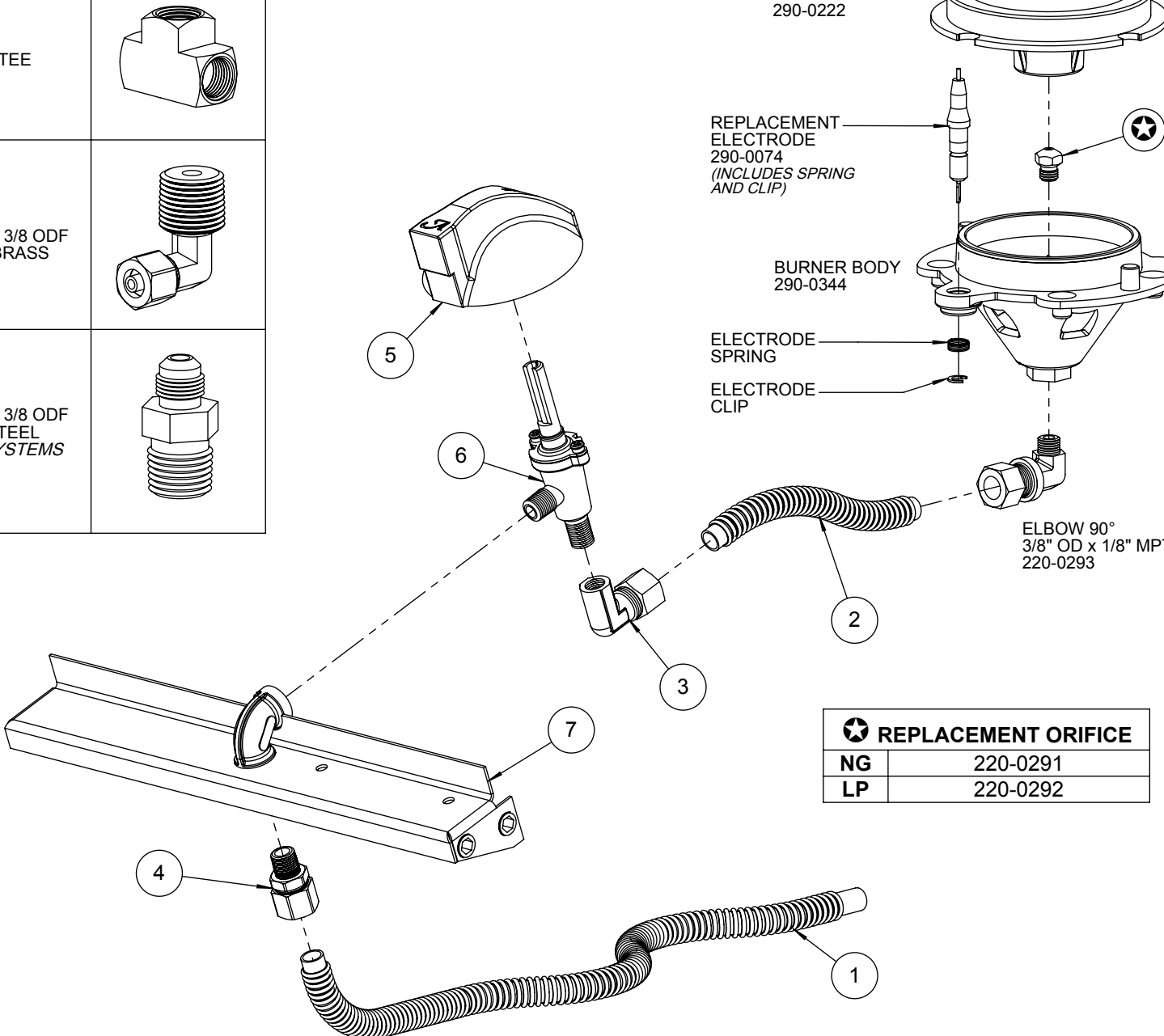
ELECTRODE SPRING

ELECTRODE CLIP

ELBOW 90° 3/8" OD x 1/8" MPT 220-0293

REPLACEMENT ORIFICE

NG	220-0291
LP	220-0292



THE INFORMATION CONTAINED IN THIS DRAWING IS THE SOLE PROPERTY OF SUPERIOR EQUIPMENT SOLUTIONS INC. ANY REPRODUCTION IN PART OR AS A WHOLE WITHOUT WRITTEN PERMISSION FROM SUPERIOR EQUIPMENT SOLUTIONS, INC. IS PROHIBITED.

DRAWN BY: ADRIAN CRISCI
CREATED: 7/12/2011 7:44:37 AM

PROJECT TITLE:
ARTISAN SIDE BURNER

DRAWING TITLE:
ART-SB1 SIDE BURNER PIPING ASSEMBLY

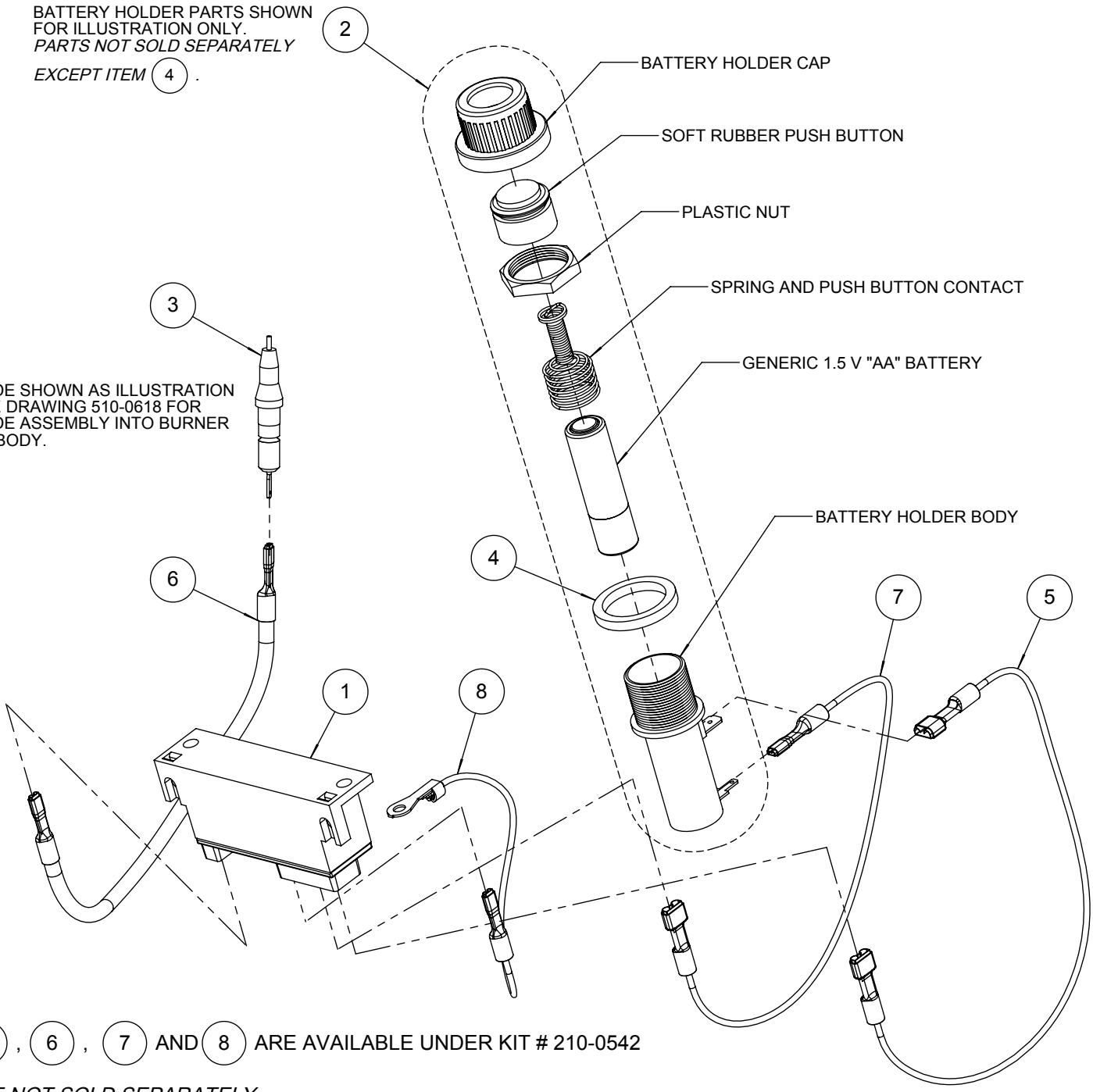
DRAWING NO.:
510-0618 MANU

SHEET 1 C

BILL OF MATERIALS

ITEM	PART N°	DESCRIPTION	QTY
1	210-0226	ARTISAN SIDE BURNER IGNITER MODULE	1
2	210-0228	ARTISAN SIDE BURNER IGNITER BATTERY HOLDER	1
3	290-0074	ARTISAN SIDE BURNER ELECTRODE	1
4	290-0341	O-RING 7/8 x 1 1/8 x 1/8 - SQUARE - BUNA -N	1
5	SEE NOTE	ARTISAN IGNITER WIRE - 10" LONG - BATTERY (-)	1
6	SEE NOTE	ARTISAN IGNITER WIRE - 10" LONG - ELECTRODE	1
7	SEE NOTE	ARTISAN IGNITER WIRE - 9" LONG - BATTERY (+)	1
8	SEE NOTE	ARTISAN IGNITER WIRE - 9" LONG - GROUND	1

BATTERY HOLDER PARTS SHOWN FOR ILLUSTRATION ONLY. PARTS NOT SOLD SEPARATELY EXCEPT ITEM 4.



ELECTRODE SHOWN AS ILLUSTRATION ONLY. SEE DRAWING 510-0618 FOR ELECTRODE ASSEMBLY INTO BURNER KIT MAIN BODY.

NOTE:
 ITEMS 5, 6, 7 AND 8 ARE AVAILABLE UNDER KIT # 210-0542
 ITEMS ARE NOT SOLD SEPARATELY.



THE INFORMATION CONTAINED IN THIS DRAWING IS THE SOLE PROPERTY OF SUPERIOR EQUIPMENT SOLUTIONS INC. ANY REPRODUCTION IN PART OR AS A WHOLE WITHOUT WRITTEN PERMISSION FROM SUPERIOR EQUIPMENT SOLUTIONS, INC. IS PROHIBITED.
DRAWN BY: ADRIAN CRISCI
CREATED: 7/12/2011 10:47:19 AM

PROJECT TITLE:
 ARTISAN SIDE BURNER
DRAWING TITLE:
 ARTISAN ART-SB1 ELECTRICAL PARTS

DRAWING NO.:
 510-0658 MANU
SHEET 1 C