

Alfresco™

Open Air Culinary Systems

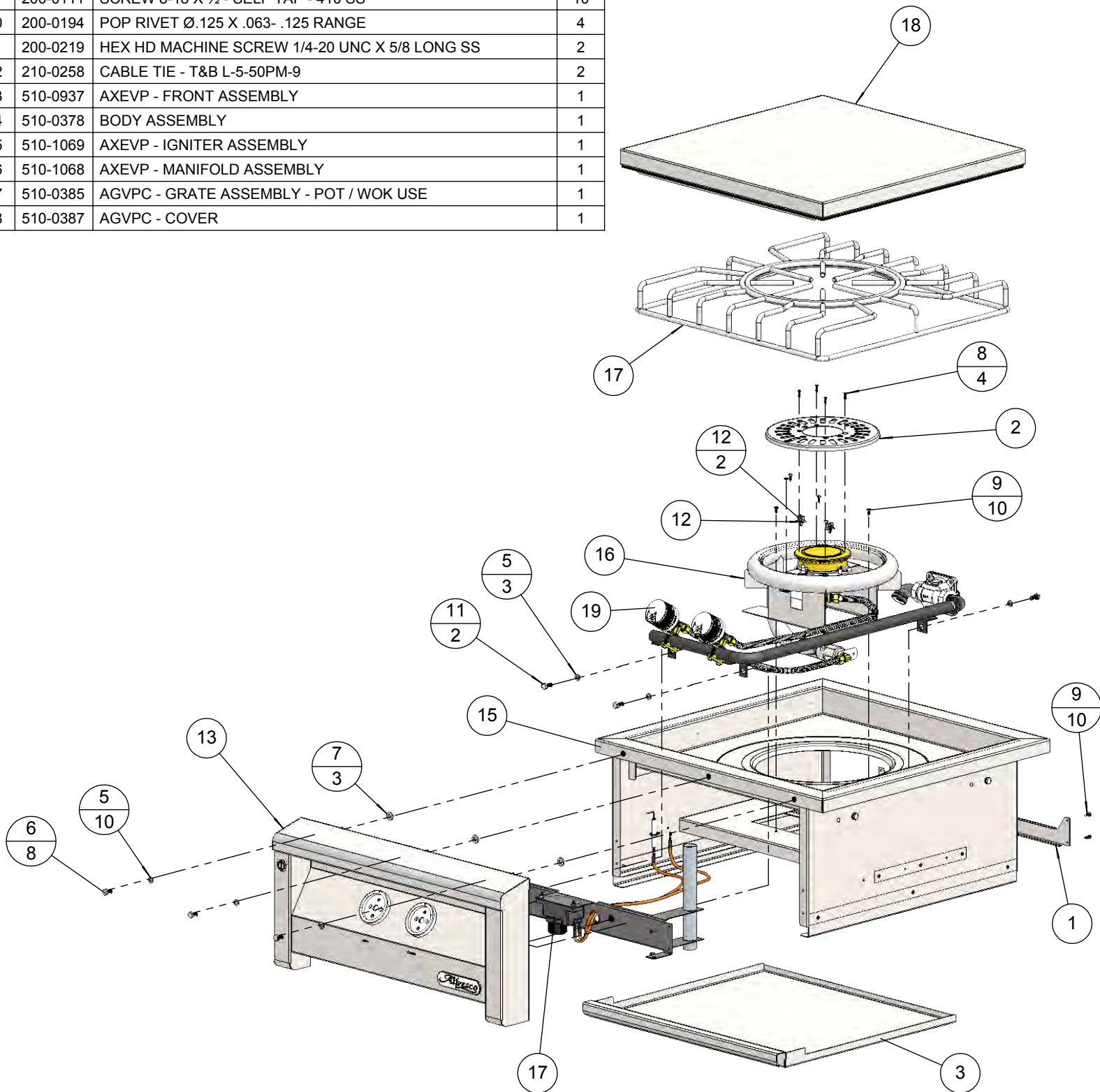


AXEVP VERSAPOWER™ COOKING SYSTEM

(SERIAL NO.: UP TO 17-99999)

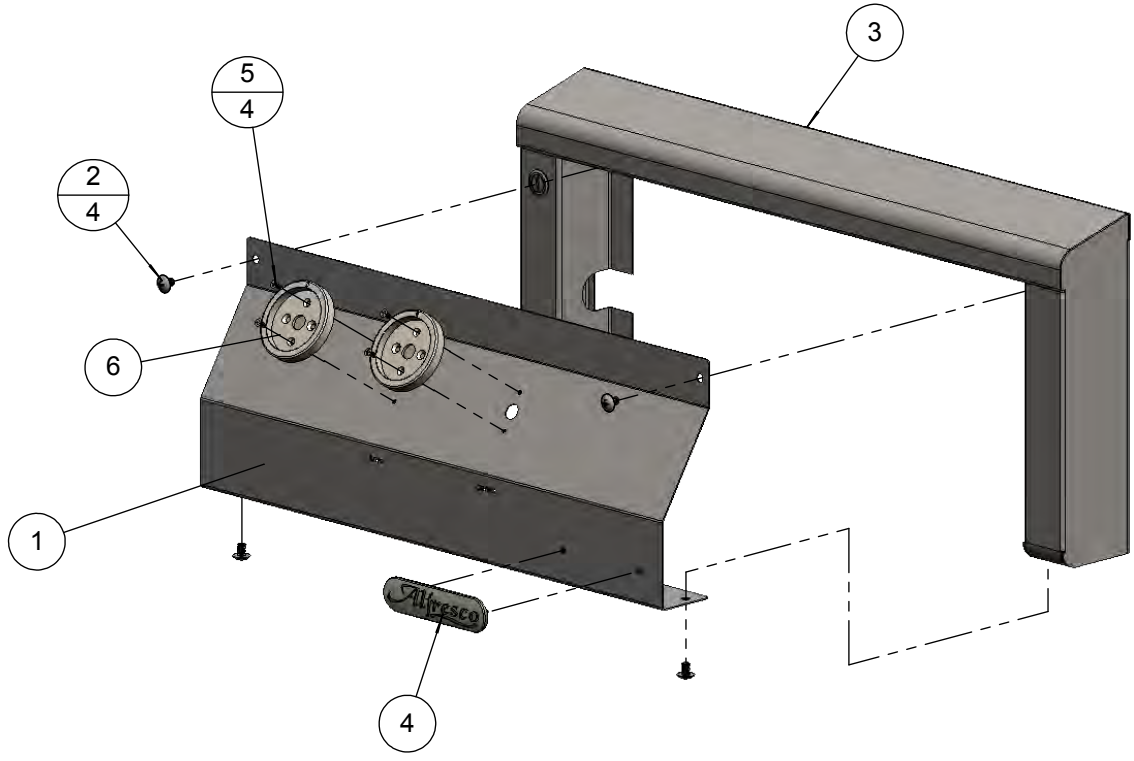
BILL OF MATERIAL

| NO. | PART # | DESCRIPTION | QTY |
|-----|----------|---|-----|
| 1 | 100-1475 | AGVPC BACK BODY BRACKET | 1 |
| 2 | 100-1478 | AGVPC TOP DECK BURNER CAP | 1 |
| 3 | 100-2626 | AXEVP GREASE TRAY | 1 |
| 4 | 200-0087 | 1/4" LOCK WASHER | 3 |
| 5 | 200-0087 | WASHER - 1/4" SPRING LOCK- REGULAR - SS | 3 |
| 6 | 200-0089 | BOLT - HEX HEAD 1/4-20 x 1/2" L | 4 |
| 7 | 200-0092 | 1/4 X 1/8 X 5/8 FLAT WASHER - SPACER | 3 |
| 8 | 200-0098 | SCREW 6-32 X 1/2" - FLAT HEAD 82° - PHILIPS | 4 |
| 9 | 200-0111 | SCREW 8-18 X 1/2" - SELF TAP - 410 SS | 10 |
| 10 | 200-0194 | POP RIVET Ø.125 X .063- .125 RANGE | 4 |
| 11 | 200-0219 | HEX HD MACHINE SCREW 1/4-20 UNC X 5/8 LONG SS | 2 |
| 12 | 210-0258 | CABLE TIE - T&B L-5-50PM-9 | 2 |
| 13 | 510-0937 | AXEVP - FRONT ASSEMBLY | 1 |
| 14 | 510-0378 | BODY ASSEMBLY | 1 |
| 15 | 510-1069 | AXEVP - IGNITER ASSEMBLY | 1 |
| 16 | 510-1068 | AXEVP - MANIFOLD ASSEMBLY | 1 |
| 17 | 510-0385 | AGVPC - GRATE ASSEMBLY - POT / WOK USE | 1 |
| 18 | 510-0387 | AGVPC - COVER | 1 |



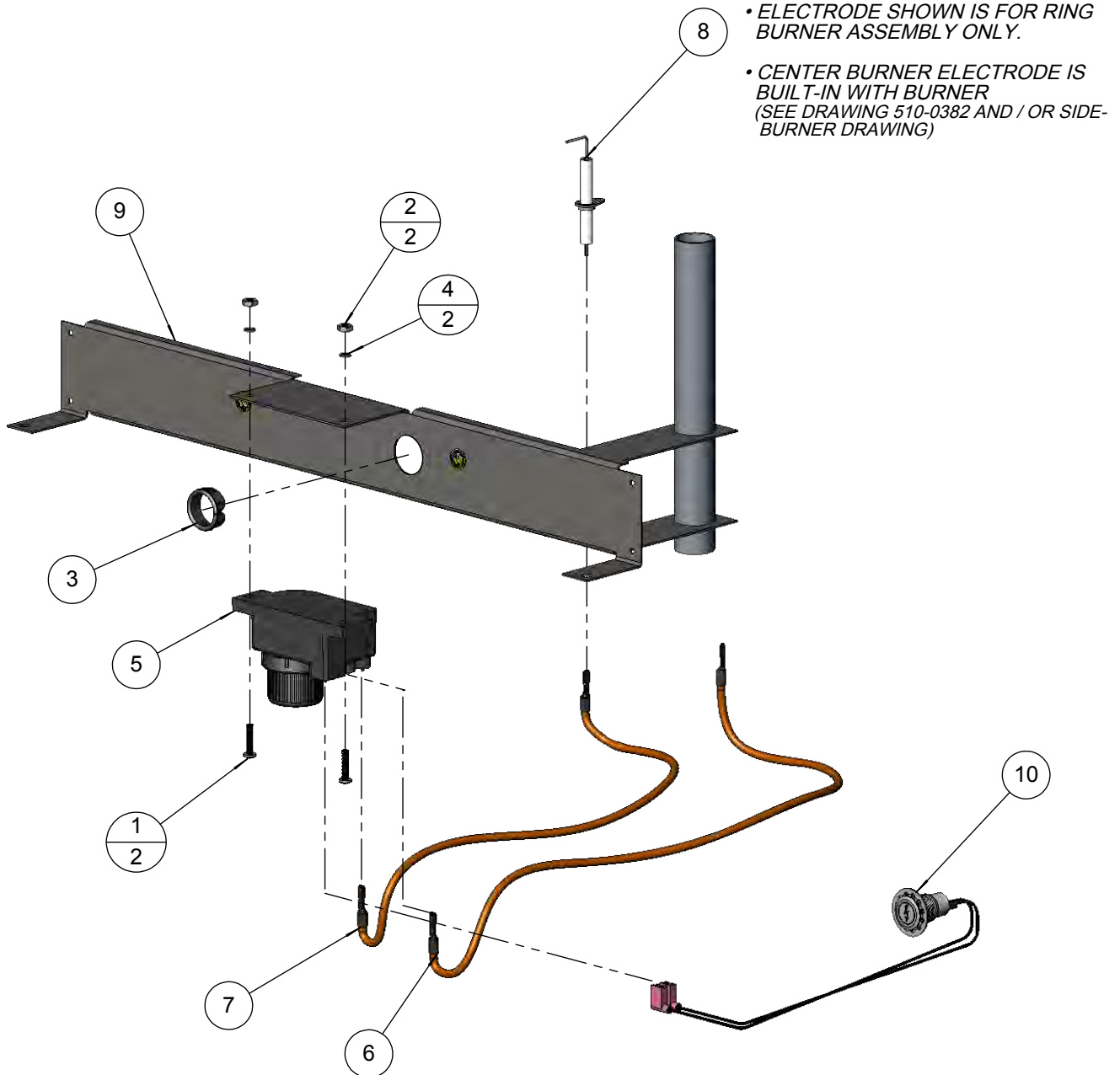
BILL OF MATERIAL

| NO. | PART NUMBER | DESCRIPTION | QTY. |
|-----|-------------|--|------|
| 1 | 100-2627 | AGVPC FRONT PANEL | 1 |
| 2 | 200-0086 | 1/4-20 X 3/8 - TRUSS HEAD - PHILIPS SCREW | 4 |
| 3 | 510-0938 | AGVPC - FRONT ASSEMBLY- WELDED PARTS | 1 |
| 4 | 290-0377 | ALFRESCO RANGE LOGO | 1 |
| 5 | 200-0348 | SCREW 6-32 x 3/8 - THREAD CUTTER - FLAT HEAD PHILIPS | 4 |
| 6 | 290-0388 | ALFRESCO RANGE KNOB - BEZEL RING | 2 |



BILL OF MATERIAL

| NO. | PART NUMBER | DESCRIPTION | QTY. |
|-----|-------------|--|------|
| 1 | 200-0079 | 8-32 X 3/4 - PAN HEAD - PHILIPS SCREW | 2 |
| 2 | 200-0080 | 8-32 - DOUBLE CHAMFER - HEX NUT | 2 |
| 3 | 200-0081 | BUSHING HEYCO OCB-1000 - PART # 2878 | 1 |
| 4 | 200-0200 | WASHER - # 8 - LOCK SPRING - SS | 2 |
| 5 | 210-0195 | IGNITER MODULE - 2 POINTS (WITH CAP) | 1 |
| 6 | 210-0216 | AGVPC IGNITION WIRE (TO THE CENTER BURNER) | 1 |
| 7 | 210-0216 | AGVPC IGNITION WIRE (TO THE RING BURNER) | 1 |
| 8 | 210-0498 | ELECTRODE "L" SHAPED - AGVPC RING BURNER | 1 |
| 9 | 510-0398 | AGVPC - IGNITER ASSEMBLY ► WELDED PARTS | 1 |
| 10 | 210-0586 | SWITCH - IGNITION - MOMENTARY [ON]/OFF | 1 |



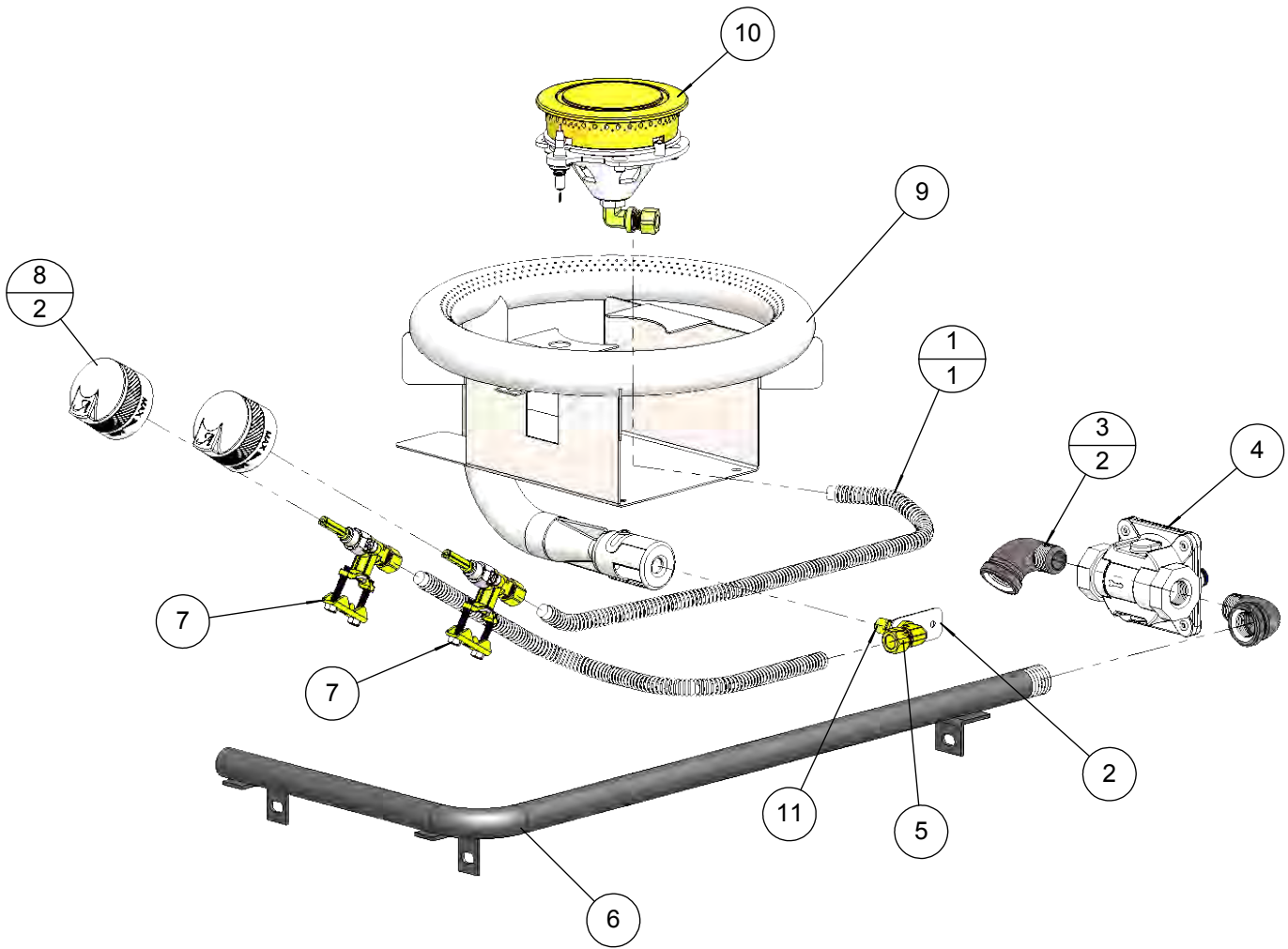
NOTE: ITEM 12 (ASSEMBLY 510-0398) IS SHOWN FOR ILLUSTRATION AND GENERAL ASSEMBLY PURPOSES ONLY. THIS ASSEMBLY IS ACTUALLY PART OF THE MAIN BODY ASSEMBLY 510-0378 SHOWN ON DRAWING 500-0175B

BILL OF MATERIAL

| NO. | PART # | DESCRIPTION | QTY |
|-----|----------|---|-----|
| 1 | 100-0941 | AGVPC - BURNER GAS LINE - 3/8" X 24" -SS | 2 |
| 2 | 100-1067 | ALX2- SMOKER & SZ™ ORIFICE BRACKET | 1 |
| 3 | 200-0274 | ELBOW 90°- CAST IRON - 1/2" FPT x 1/2" MPT | 2 |
| 4 | 220-0280 | REGULATOR GAS - MAXITROL RV48CL440002 | 1 |
| 5 | 220-0293 | ELBOW 3/8-27 UNS x 3/8" COMP | 1 |
| 6 | 220-0298 | MANIFOLD - SIDE BURNER - DUAL VALVE | 1 |
| 7 | 290-0042 | GAS VALVE - SIDE BURNER - WITH INTERNAL ORIFICE | 2 |
| 8 | 290-0433 | ALFRESCO - KNOB - BBQ VALVE | 2 |
| 9 | 510-0383 | AGVPC - RING BURNER ASSEMBLY | 1 |
| 10 | SEE NOTE | AGVPC - CENTER BURNER ASSEMBLY | 1 |
| 11 | SEE NOTE | AGVPC PERIMETER BURNER NOZZLE ORIFICE | 1 |

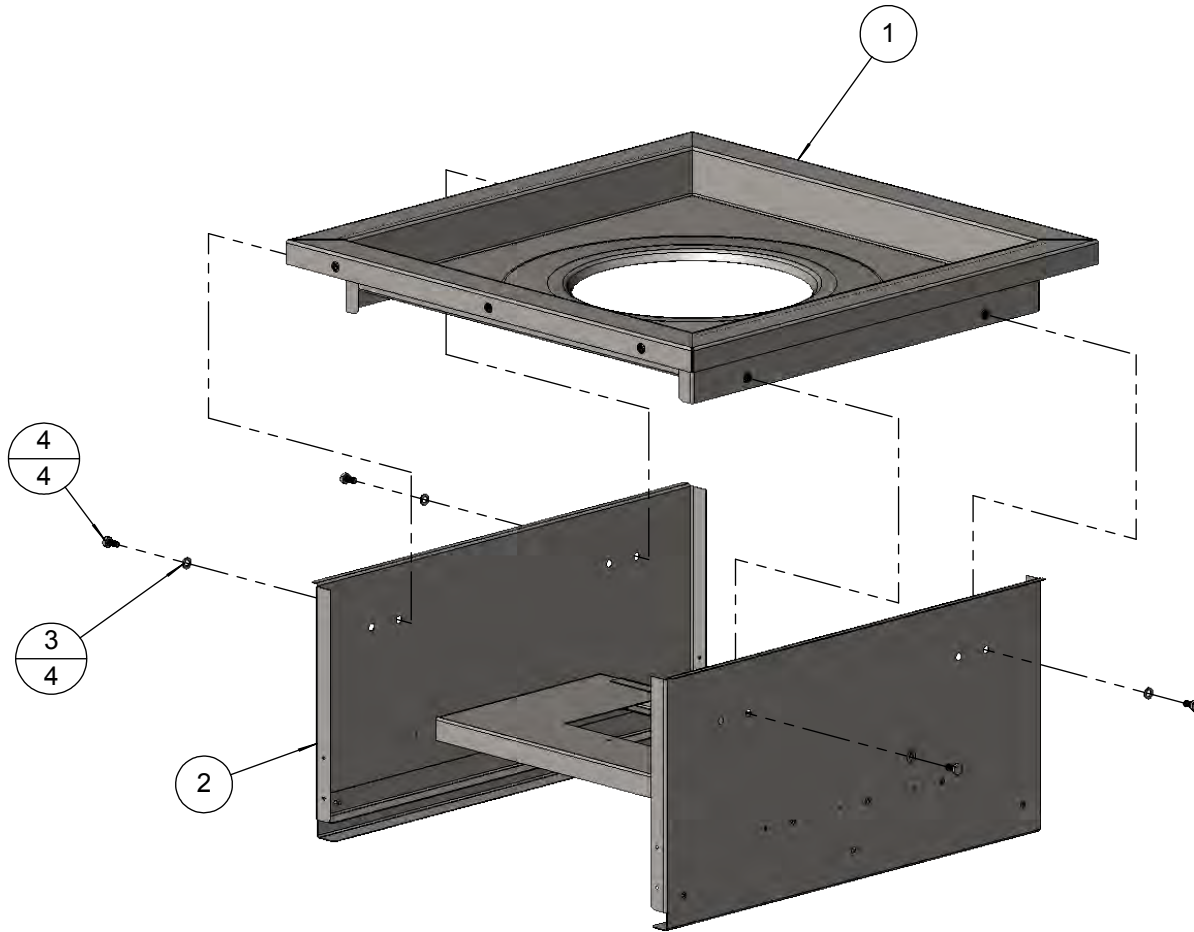
NOTE: THE FOLLOWING ITEMS WILL CHANGE PART NUMBERS DEPENDING UPON THE GAS SUPPLY, NATURAL GAS (NG) OR LIQUID PROPANE (LP)

| ITEM N° | NG | LP |
|---------|----------|----------|
| | PART N° | PART N° |
| 10 | 290-0070 | 290-0071 |
| 11 | 220-0370 | 220-0290 |



BILL OF MATERIAL

| NO. | PART NUMBER | DESCRIPTION | Default/QUANTITY. |
|-----|-------------|---|-------------------|
| 1 | 510-0448 | AGVPC - TOP BODY SUBASSEMBLY | 1 |
| 2 | 510-0449 | AGVPC - BOTTOM BODY SUBASSEMBLY | 1 |
| 3 | 200-0087 | WASHER - 1/4" SPRING LOCK- REGULAR - SS | 4 |
| 4 | 200-0089 | BOLT - HEX HEAD 1/4-20 x 1/2" L | 4 |



NOTE: AGVPC UNITS BUILT AFTER 07/2009 HAVE BODIES BUILT WITH TWO ASSEMBLIES, TOP (510-0448), ITEM 1 AND BOTTOM (510-0449), ITEM 2, MAKING THE TOP OR BOTTOM ASSEMBLIES REPLACEABLE BY THEMSELVES.

FOR REPLACEMENT, VERIFY IF THE AGVPC UNIT'S BODY HAS SIDE MOUNTED BOLTS (ITEM 4) TO ORDER TOP OR BOTTOM ASSEMBLIES AS NEEDED.
 IF THE UNIT **DOES NOT** HAVE SIDE BOLTS, THEN THE ENTIRE ASSEMBLY 510-0378 MUST BE ORDERED FOR PROPER REPLACEMENT.

NOTE:

SIDE BURNER ASSEMBLIES ARE USED IN AGBQ AND ALX2 BARBEQUES, AGVPC UNIT (VERSAPOWER™) COOKING SYSTEMS AS WELL AS INDIVIDUAL UNITS (AGSB-2) BUT CAN ALSO BE ORDERED AS A WHOLE UNIT (KIT) FOR NATURAL GAS (NG) OR LIQUID PROPANE (LP).

COMPLETE KITS NUMBERS:

NATURAL GAS (NG) = 290-0070

LIQUID PROPANE (LP) = 290-0071

CAPS, ORIFICES AND ELECTRODES CAN BE INDIVIDUALLY REPLACED IF REQUIRED - SEE NUMBERS BELOW.

