

This Owner's Manual is provided and hosted by [Appliance Factory Parts](#).



Alfresco AXEWD-30 Owner's Manual

[Shop genuine replacement parts for Alfresco
AXEWD-30](#)

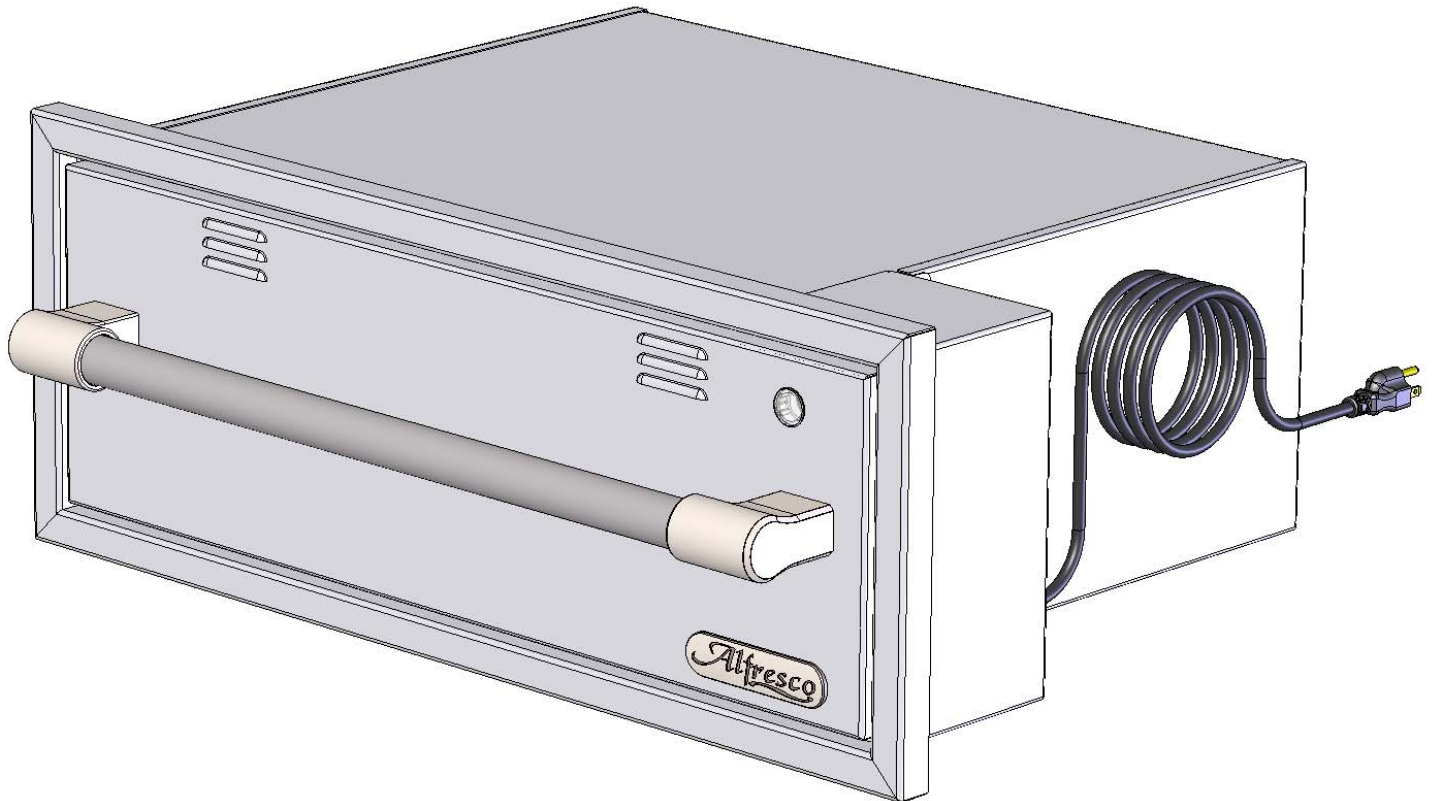


[Find Your Alfresco Grill Parts - Select From 126 Models](#)

----- Manual continues below -----

Alfresco™

Open Air Culinary Systems



AXEWD-30

ALFRESCO™ 30" WARMING DRAWER - 115 VAC

Alfresco™

SUPERIOR EQUIPMENT SOLUTIONS
7039 EAST SLAUSON AVENUE
COMMERCE, CA. 90040

THE INFORMATION CONTAINED IN THIS DRAWING IS THE SOLE PROPERTY OF SUPERIOR EQUIPMENT SOLUTIONS INC. ANY REPRODUCTION IN PART OR AS A WHOLE WITHOUT WRITTEN PERMISSION FROM SUPERIOR EQUIPMENT SOLUTIONS, INC. IS PROHIBITED.

DRAWN BY: JORGE PELAYO
CREATED: Thursday, July 02, 2015

PROJECT TITLE: AXEWD-30 UNIT

DRAWING TITLE:

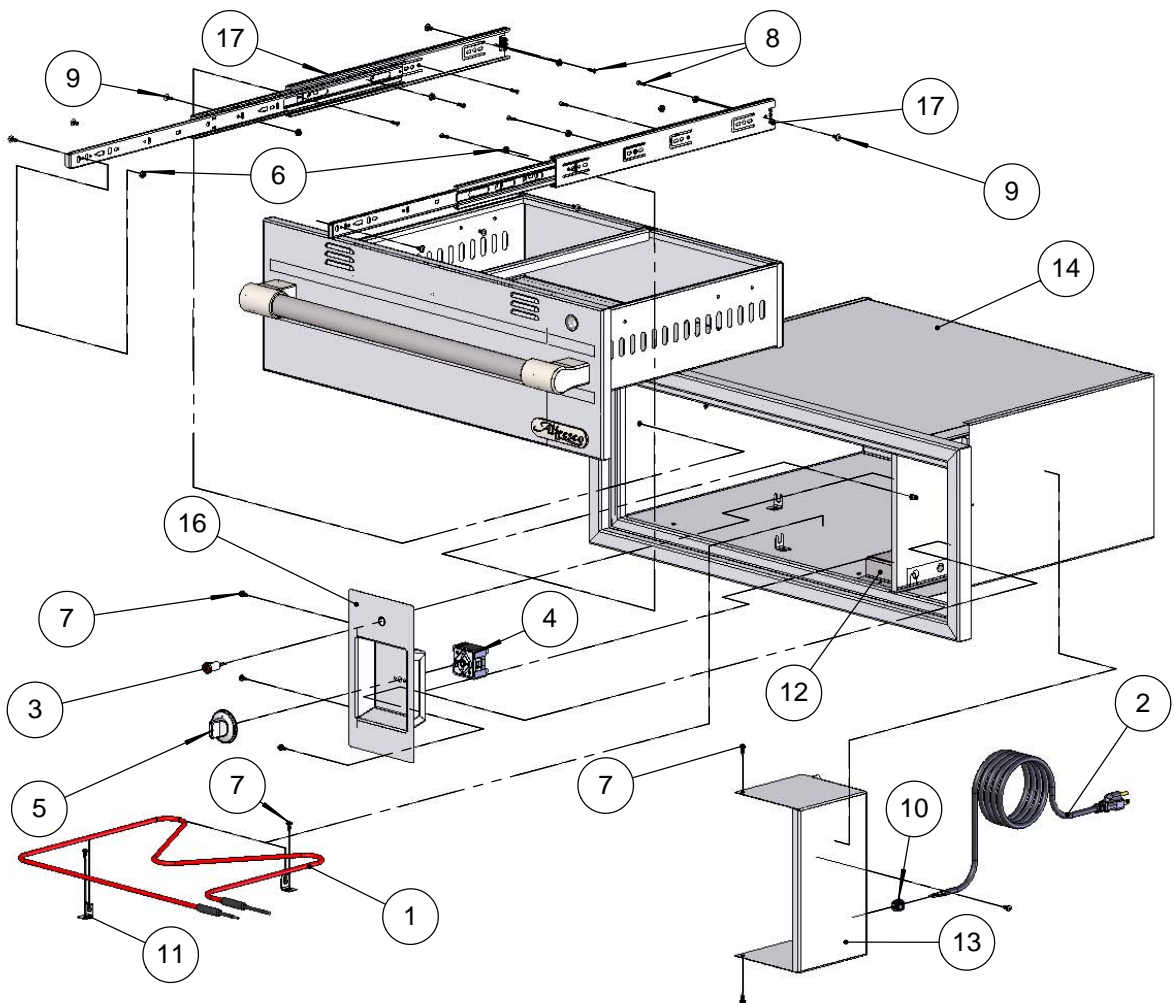
C:\Working\AXEWD-30\

DRAWING NO.:

500-0146

SHEET 1 OF 1

ITEM NO.	PART NUMBER	DESCRIPTION	QTY.
1	240-0016	HEATER	2
2	210-0287	BLACK POWER SUPPLY CORD 125V 15A 14/3 X 8FT LONG	1
3	210-0285	PILOT LIGHT	1
4	210-0284	INFINITE SWITCH KIT	1
5	210-0284	KNOB FOR INFINITE SWITCH	1
6	200-0206	8-32 KEP NUT 18-8 STAINLESS	8
7	200-0111	SCREW 8-18 X 1/2 - SELF TAP - 410 SS	8
8	200-0098	SCREW 6-32 X 1/2" - FLAT HEAD 82° - PHILIPS	8
9	200-0085	8-32 X 3/8 - TRUSS HEAD - PHILIPS SCREW	8
10	200-0009	HEYCO STRESS RELIEF BUSHING # 1200 SR 6N3-4	1
11	150-2315	HEATER SUPPORT CLIP	5
12	150-2314	HEATER COVER	1
13	130-1589	ELECTRICAL BOX	1
14	510-1012	WARMING DRAWER HOUSING	1
15	510-0979	WARMING DRAWER	2
16	510-0166	WARMING DRAWER CONTROL PANEL	1
17	290-0137	ACCURIDE DRAWER SLIDE C3832-C18	2



Alfresco
 SUPERIOR EQUIPMENT SOLUTIONS
 7039 EAST SLAUSON AVENUE
 COMMERCE, CA. 90040

THE INFORMATION CONTAINED IN THIS DRAWING IS THE SOLE PROPERTY OF SUPERIOR EQUIPMENT SOLUTIONS INC. ANY REPRODUCTION IN PART OR AS A WHOLE WITHOUT WRITTEN PERMISSION FROM SUPERIOR EQUIPMENT SOLUTIONS, INC. IS PROHIBITED.
DRAWN BY: JORGE PELAYO
CREATED: Wednesday, October 21, 2015

PROJECT TITLE: AXEWD-30 UNIT
DRAWING TITLE: PARTS MANUAL
 C:\Working\AXEWD-30\

DRAWING NO.: 500-0146 MANUAL
 SHEET 1 OF 1

ITEM NO.	PART NUMBER	DESCRIPTION	QTY.
1	130-1602	DRAWER DIVIDER	1
2	200-0057	SCREW 1/4-20 X 1/2 - TRUSS HEAD - PHILPS	6
3	290-0211	1/4 SIZE FOOD PAN & LID COMBO	2
4	290-0212	1/2 SIZE FOOD PAN & LID COMBO	2
5	510-0251	AWD-30 DRAWER BODY	1
6	510-0977	AEXWD-30 BBQ/RANGE HANDLE	1
7	510-0980	DRAWER FASCIA	1

