

This Owner's Manual is provided and hosted by [Appliance Factory Parts](#).



Vision Grill RL-K18F1M4 Owner's Manual

[Shop genuine replacement parts for Vision Grill
RL-K18F1M4](#)

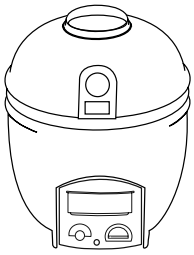
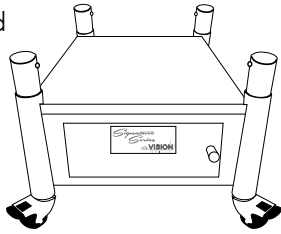


[Find Your Vision Grill Grill Parts - Select From 25 Models](#)

----- Manual continues below -----

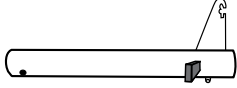
Parts for Assembly:

- A** 1 pc. - Pre-Assembled Cart



- B** 1 pc. - Kamado Grill

- C** 2 pcs. - Back Side Poles



- D** 2 pcs. - Front Side Poles

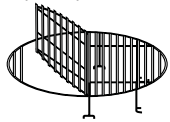


- E** 1 pc. - Fire Bowl



F

- 1 pc. - Top Flip Grate



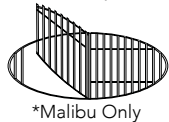
G

- 1 pc. - Cast Iron Grate



G*

- 1 pc. - Bottom Flip Grate



- H** 1 pc. - Wood Handle



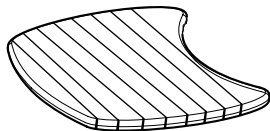
- I** 1 pc. - Top Vent



- J** 1 pc. - Charcoal Grate



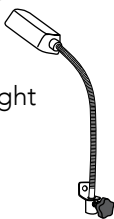
- K** 2 pcs. - Side Shelves



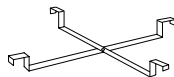
- L** Grate Lifting Tool



- M** Grill Light



- N** Cooking Stone & Bracket

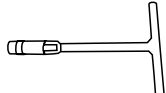


Tools Included:

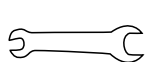
Box Wrench:
For shelves assembly



T-Handle Wrench



Flat Wrench



ENGLISH

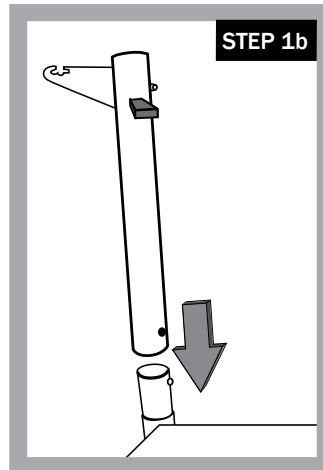
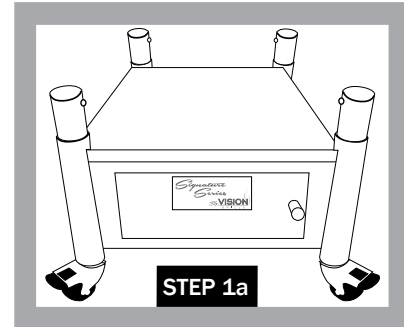
VISION GRILLS SET UP

SIGNATURE SERIES RENDEZVOUS

Model #s RL-K18F1M4 / RL-W19D1L5 / RL-K19D1L5 / Malibu

Step 1: Cart & Grill Assembly

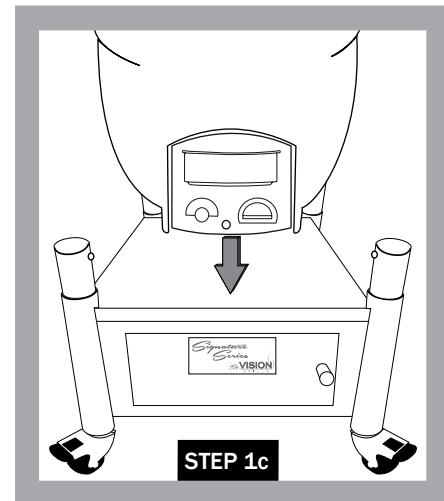
- Unpack cabinet cart from packaging. (Step 1a)
- Wheels, door and posts are preassembled.



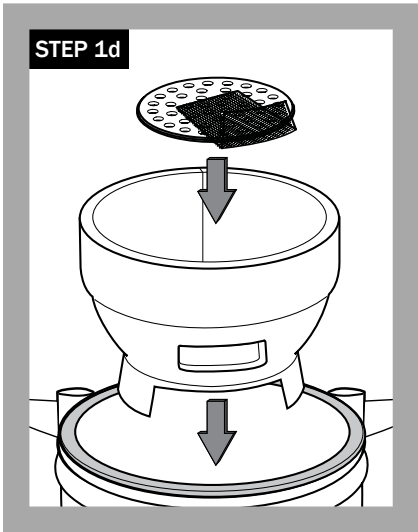
- Insert back side poles over back posts of cart (Step 1b). Make sure felt stoppers are facing inward and shelf brackets are facing outward.
- Line up holes in back side pole with spring loaded pin on back post and push down until they snap into place.

- Take all parts out of grill before lifting. The Kamado grill is heavy and will require two people to lift and guide onto cart (Step 1c).

- Be sure ProZone™ is centered between two front posts and the back of the grill is resting against the two back leg felt stoppers.



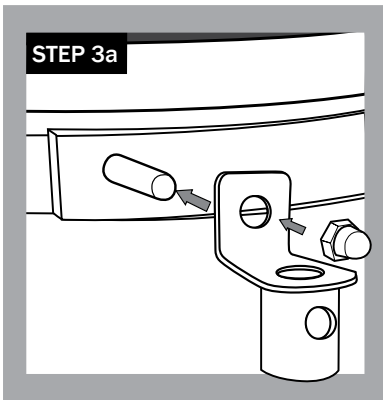
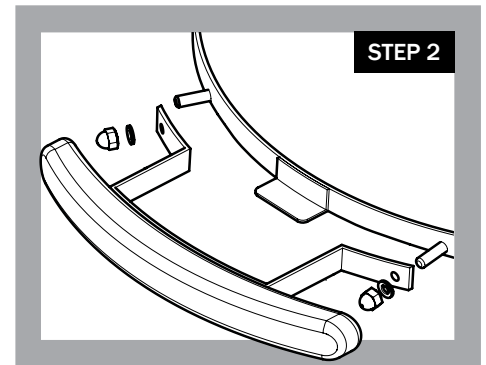
Step 1 (continued): Grill Assembly



- (Step 1d:) Lower fire bowl into grill with the ash drawer opening lined up with the opening in the main ceramic body. Place cast iron grate with attached starter pocket into fire bowl. Align tabs of starter pocket with electric starter port in fire bowl.
- Insert front side poles over front posts. Snap post into place by lining up holes in poles with spring loaded pins on each post.

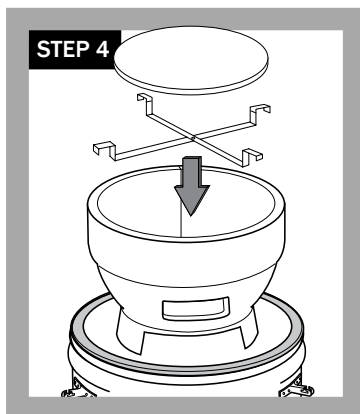
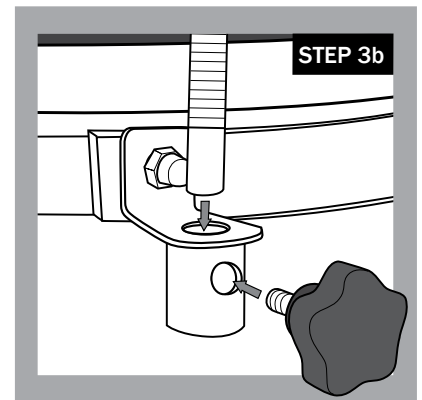
Step 2: Handle and Side Shelf Mounting

- To assemble handle, remove nuts and washers from bolts welded on the top banding opposite the hinge.
- Remove paper washers and attach handle bracket over studs. On each stud place a flat washer and an acorn nut, then tighten (Step 2).
- Mount side shelves by inserting the shelf rod into the shelf bracket. Tilting the shelf up slightly and sliding in or out allows you to deploy the shelves.



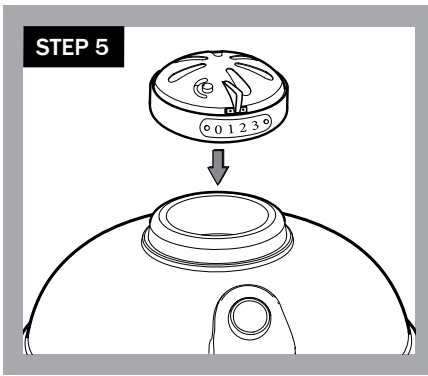
Step 3: Install Grill Light

- Remove nut and washer from the first bolt on right side of bottom banding.
- Slide flexible light bracket over bolt, then replace washer and bolt and tighten (Step 3a) and insert flexible light into bracket and tighten knob (Step 3b).



Step 4: Lava Stone & Bracket Assembly

- Open grill and take off grill grates to expose fire bowl.
- Spread bracket so it makes an "X" shape and lower into fire bowl, allowing the bracket to rest on edge of fire bowl.
- Lower Lava Stone onto the bracket.

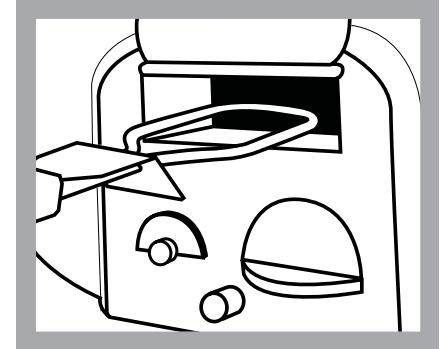


Step 5: Complete Assembly

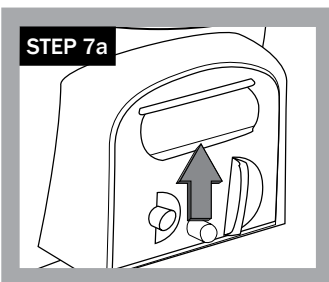
- Place cooking grates onto grill with hinged section facing towards front of grill.
- Close lid and press top vent onto grill with calibrations facing the front (Step 5).

Step 6: Using the Electric Starter

- Place required amount of charcoal inside fire bowl and completely open bottom and top vents to maximize air flow.
- Flip open electric starter door and insert electric starter as far in as possible. Plug in electric starter.
- Wait until edges of charcoal turn white and flames are licking the mound of charcoal. On average it takes 8-12 minutes to start charcoal.
- Unplug starter and remove from ProZone™. Be careful when removing electric starter, the element will be very hot. After use, let element rest on support and cool completely away from children and pets.



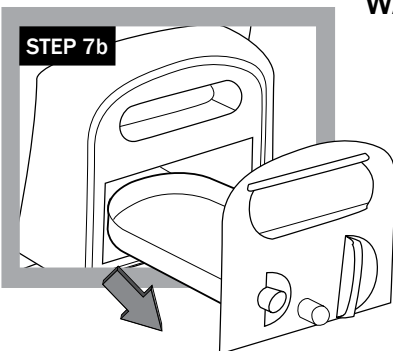
NOTE: Do not plug the electric starter in while it is raining unless you're in a safe and securely covered area.



Step 7: Ash Drawer Usage

- Once grill is cool, it is safe to remove ash from Ash Drawer.
- (Step 7a) Using bottom knob on ProZone™, lift slightly and (Step 7b) pull drawer out.
- Once ashes are emptied, reinstall by pushing ProZone™ back into grill body until it drops down back into place.

WARNING: ALWAYS WAIT FOR ASHES TO COOL BEFORE REMOVING ASH DRAWER. NEVER PULL OUT ASH DRAWER WHILE GRILL IS HOT.



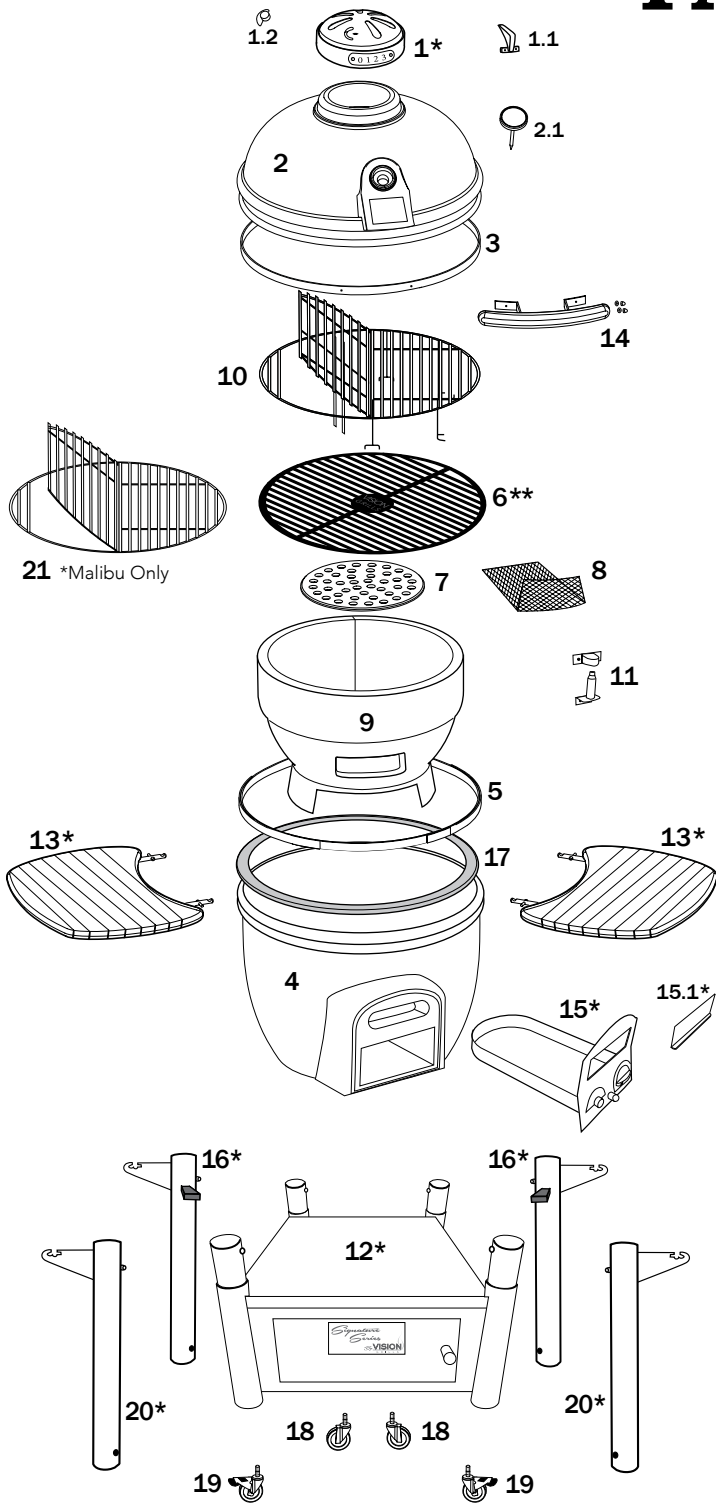
Step 8: Removing Cast Iron Grate

- Use provided Grate Removal Tool to lift out Cast Iron Grate by centering the prongs of the tool in between the center grate bars closest to the Vision Grills logo.
- When prongs are pushed all the way forward, lean Tool back against grate and lift up. Use caution, Cast Iron Grate is heavy.

Long-Term Maintenance

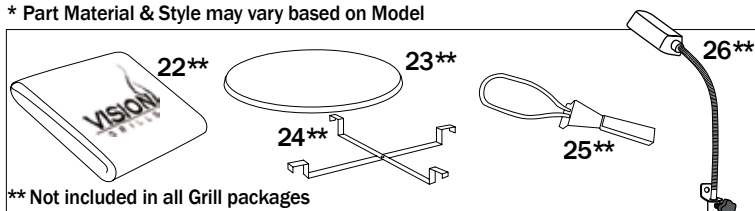
- Cover your grill when not in use to extend life and maintain appearance.
- When moving grill, always pull by the back hinge.

PARTS



| PART NAMES | PART NUMBERS |
|---|----------------------------------|
| 1 Cast Iron Top Vent Stainless Steel Top Vent | VGC TV-CAS VGC TV-SSS |
| 1.1 Bakelite Tab | VGC TV-CAS-T |
| 1.2 Smoker Knob | VGC TV-CAS-SK |
| 2 Ceramic Dome Lid | VGC CDLSS-1 |
| 2.1 Thermometer | VGC SSIT |
| 3 Top Ring Assembly | VGC RA1-L |
| 4 Ceramic Dome Bottom | VGC SSDB-L |
| 5 Bottom Ring Assembly | VGC RA2 |
| 6 Cast Iron Cooking Grate | VGC CGB-L |
| 7 Charcoal Grate | VGC CG-1 |
| 8 Electric Starter Pocket | VGC ESP-1 |
| 9 Fire Bowl | VGC FB-1 |
| 10 Top Cooking Grate | VGC CGT-L |
| 11 Shock Absorber Assembly | VGC AC-L |
| 12 Cabinet Cart Assembly, Powder Coat Cabinet Cart Assembly, Stainless Steel | VGC CCPC-L VGC CCSS-L |
| 13 Wood Shelves, Slatted, Dark (x2) Solid Stainless Steel Shelves (x2) | VGC WS-SD-L VGC SSS-L |
| 14 Handle (with nuts & washers) | VGC HDLSS-L |
| 15 Ash Drawer Body, Powder Coat Ash Drawer Body, Stainless Steel | VGC ADB-PC VGC ADB-SS |
| 15.1 Starter Port Flipper Door, Powder Coat Starter Port Flipper Door, Stainless Steel | VGC ADB-PCFD-L VGC ADB-SSFD-L |
| 16 Back Side Pole, Powder Coat (x2) Back Side Pole, Stainless Steel (x2) | VGC CCBP-PC VGC CCBP-SS |
| 17 Felt Gasket | VGC FLT-L |
| 18 Rubber Wheels (x2) Standard | VGC WHLS-L |
| 19 Rubber Wheels (x2) Locking | VGC WHL-L-L |
| 20 Front Side Pole, Powder Coat (x2) Front Side Pole, Stainless Steel (x2) | VGC CCFP-PC VGC CCFP-SS |
| 21 Bottom Cooking Grate, Stainless Steel | VGC CGB-L |
| 22 Grill Cover | VGC GC-L |
| 23 Lava Stone | VGK-101R |
| 24 SS Stone Bracket | VGK-BRACKET |
| 25 Electric Starter | VGK-ELEC |
| 26 Flexible Grill Light, White Flexible Grill Light, Black | VGK-FGL-W VGK-FGL-K |

* Part Material & Style may vary based on Model



** Not included in all Grill packages

Visit
www.visiongrills.com/register
to register your grill.