

This Owner's Manual is provided and hosted by [Appliance Factory Parts](#).



Vision Grill RL-K17F1M4 Owner's Manual

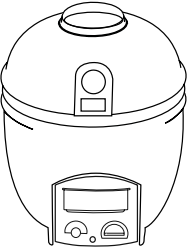


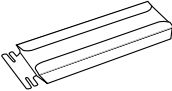
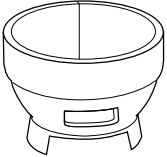
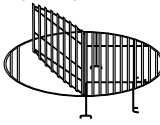





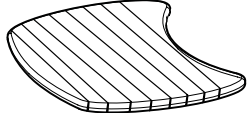

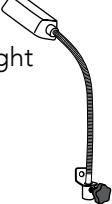
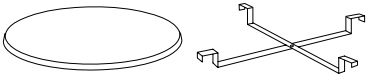
[Shop genuine replacement parts for Vision Grill
RL-K17F1M4](#)



[Find Your Vision Grill Grill Parts - Select From 25 Models](#)

----- Manual continues below -----

Parts for Assembly:

- A** 1 pc. - Kamado Grill 
- B** 4 pcs. - Cart Legs 
- C** 3 pcs. - "X" Leg Connectors 
- D** 1 pc. - Electric Starter Holster 
- E** 1 pc. - Fire Bowl 
- F** 1 pc. - Top Flip Grate 
- G** 1 pc. - Cast Iron Grate 
- G*** 1 pc. - Bottom Flip Grate  *Laguna Only
- H** 1 pc. - Wood Handle 
- I** 1 pc. - Top Vent 
- J** 1 pc. - Charcoal Grate 
- K** 2 pcs. - Side Shelves 
- L** Grate Lifting Tool 
- M** Grill Light 
- N** Cooking Stone & Bracket 

Tools Included:



ENGLISH

VISION
GRILLS

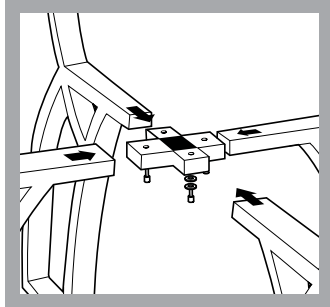
SET UP

SIGNATURE SERIES GOURMET

Model #s RL-K17F1M4 / RL-W20D1L5-1 / Laguna

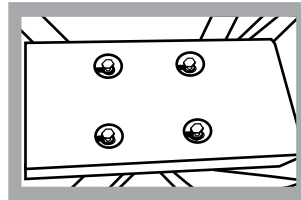
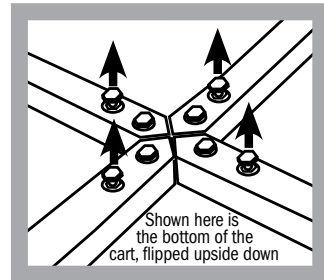
Step 1: Cart Assembly

- Remove bolts, washers and locking washers from the three "X" connectors.
- Remove paper washers and begin assembling the "X" connectors and legs.
- Please Note: Top, Middle & Bottom "X" connectors must be assembled simultaneously.
- Assemble cart by inserting the three "X" connectors into leg ends and install bolts and washers in the same order they were removed from "X" connectors.
- While assembling, only finger-tighten bolts to allow for adjustment in cart. Otherwise it can be difficult to get all the bolts inserted.
- Screw in Standard Rubber Wheels to rear Cart Legs and the Locking Rubber Wheels to the front Cart Legs.
- Once Cart is assembled, flip cart over so that bolts are exposed.



Step 1a:

Loosen the (4) outer bolts slightly so as to allow for the Holster body to slide into the gap between the bolt heads and the leg bars.

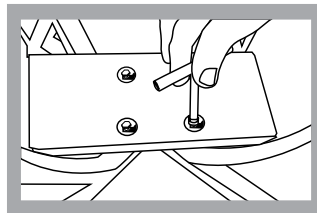
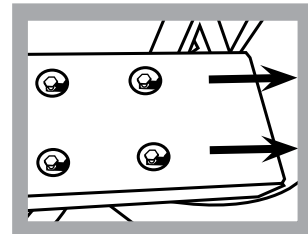


Step 1b:

With opening of Holster facing the front of the cart (the Locking Wheels) slide.

Step 1c:

Slide Holster back into place.



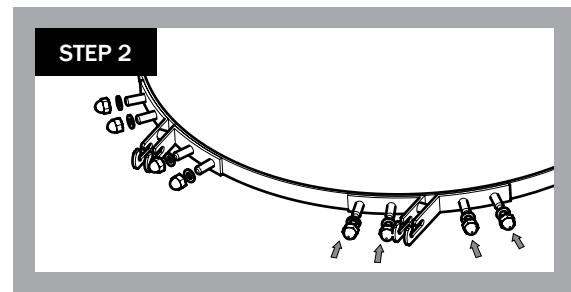
Step 1d:

Using provided T-Handle Wrench, tighten bolts again through hole openings in bottom of Holster.

- Once Holster is secure, flip cart back over to proper position so that it is resting on Wheels. Continue Grill Assembly.

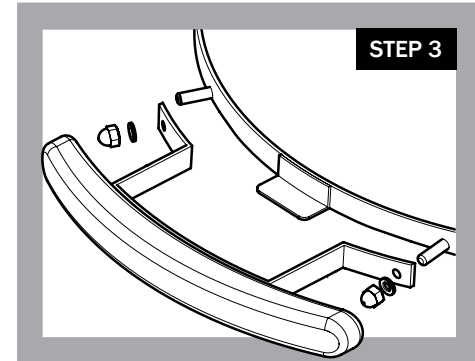
Step 2: Shelf Brackets

- Remove nuts and washers from bolts welded on the bottom banding and remove paper washers.
- Mount shelf brackets over studs with bracket slots facing up. Brackets are stamped on the back with letters indicating their position (e.g., LF=Left Front and RB=Right Back).
- Mount flat washer then acorn nut on each stud and tighten with wrench provided.



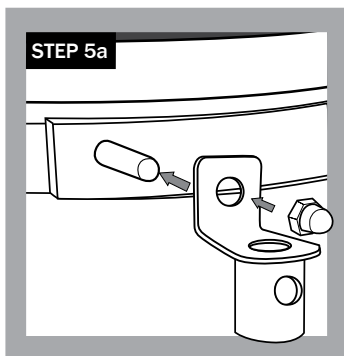
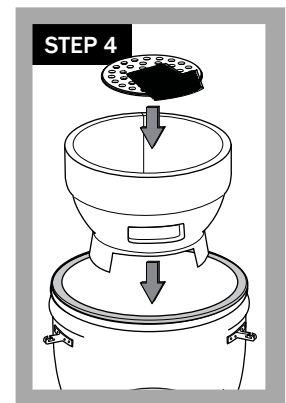
Step 3: Handle and Side Shelf Mounting

- To assemble handle, remove nuts and washers from bolts welded on the top banding opposite the hinge.
- Remove paper washers and attach handle bracket over studs. On each stud place a flat washer and an acorn nut, then tighten (Step 3).
- Mount side shelves by inserting the shelf rod into the shelf bracket. Tilting the shelf up slightly and sliding in or out allows you to deploy the shelves.



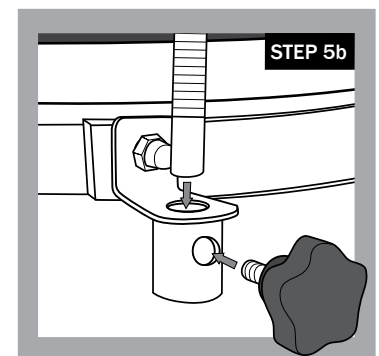
Step 4: Grill Assembly

- Take all parts out of grill before lifting. The grill is heavy and will require two people to lift and guide the Kamado into cart.
- Be sure the ProZone™ is centered between the two front legs and the grill is resting against the two back legs.
- Lower fire bowl into grill with the ash drawer opening lined up with the opening in the main ceramic body. Place cast iron charcoal grate with attached starter pocket into fire bowl (Step 4). Align tabs of starter pocket with electric starter port in fire bowl.



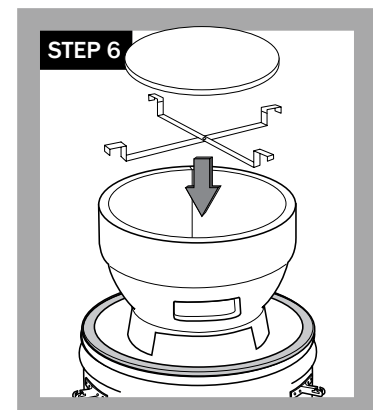
Step 5: Install Grill Light

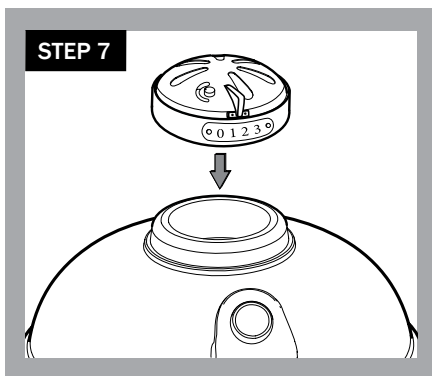
- Remove nut and washer from the first bolt on right side of bottom banding.
- Slide flexible light bracket over bolt, then replace washer and bolt and tighten (Step 5a) and insert flexible light into bracket and tighten knob (Step 5b).



Step 6: Lava Stone & Bracket Assembly

- Open grill and take off grill grates to expose fire bowl.
- Spread bracket so it makes an "X" shape and lower into fire bowl, allowing the bracket to rest on edge of fire bowl.
- Lower Lava Stone onto the bracket.



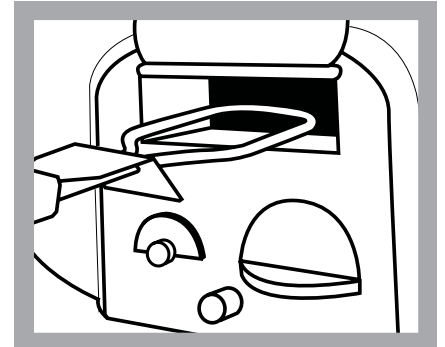


Step 7: Complete Assembly

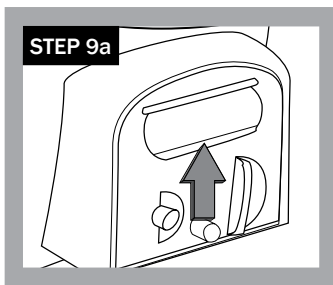
- Place cooking grates onto grill with hinged section facing towards front of grill.
- Close lid and press top vent onto grill with calibrations facing the front (Step 7).

Step 8: Using the Electric Starter

- Place required amount of charcoal inside fire bowl and completely open bottom and top vents to maximize air flow.
- Flip open electric starter door and insert electric starter as far in as possible. Plug in electric starter.
- Wait until edges of charcoal turn white and flames are licking the mound of charcoal. On average it takes 8-12 minutes to start charcoal.
- Unplug starter and remove from ProZone™. Be careful when removing electric starter, the element will be very hot. After use, let element rest on support and cool completely away from children and pets.



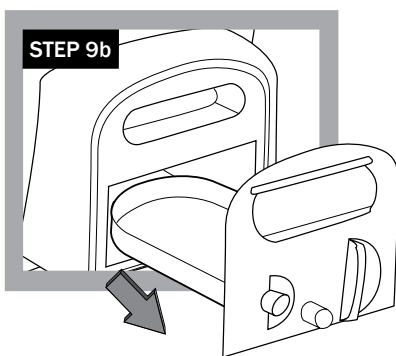
NOTE: Do not plug the electric starter in while it is raining unless you're in a safe and securely covered area.



Step 9: Ash Drawer Usage

- Once grill is cool, it is safe to remove ash from Ash Drawer.
- (Step 9a) Using bottom knob on ProZone™, lift slightly and (Step 9b) pull drawer out.
- Once ashes are emptied, reinstall by pushing ProZone™ back into grill body until it drops down back into place.

WARNING: ALWAYS WAIT FOR ASHES TO COOL BEFORE REMOVING ASH DRAWER. NEVER PULL OUT ASH DRAWER WHILE GRILL IS HOT.



Step 10: Removing Cast Iron Grate

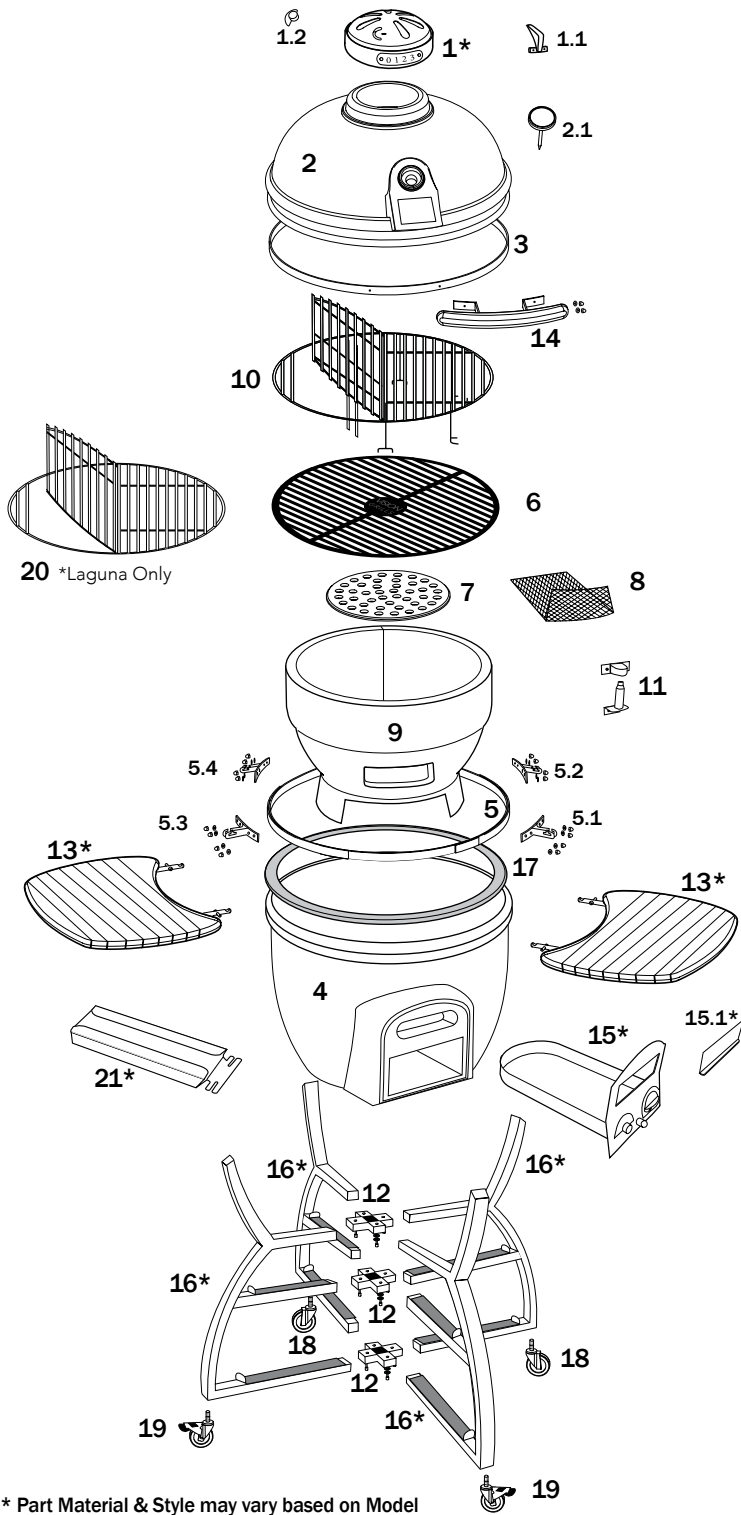
- Use provided Grate Removal Tool to lift out Cast Iron Grate by centering the prongs of the tool in between the center grate bars closest to the Vision Grills logo.
- When prongs are pushed all the way forward, lean Tool back against grate and lift up. Use caution, Cast Iron Grate is heavy.

Long-Term Maintenance

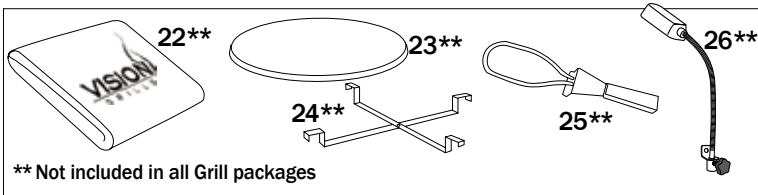
- Cover your grill when not in use to extend life and maintain appearance.
- When moving grill, always pull by the back hinge.

Visit
www.visiongrills.com/register
 to register your grill.

PARTS



* Part Material & Style may vary based on Model



** Not included in all Grill packages

PART NAMES

- 1 Cast Iron Top Vent
Stainless Steel Top Vent
- 1.1 Bakelite Tab
- 1.2 Smoker Knob
- 2 Ceramic Dome Lid
- 2.1 Thermometer
- 3 Top Ring Assembly
- 4 Ceramic Dome Bottom
- 5 Bottom Ring Assembly
- 5.1 Right Front Side Shelf Bracket
(with nuts & washers)
- 5.2 Right Back Side Shelf Bracket
(with nuts & washers)
- 5.3 Left Front Side Shelf Bracket
(with nuts & washers)
- 5.4 Left Back Side Shelf Bracket
(with nuts & washers)
- 6 Cast Iron Cooking Grate
- 7 Charcoal Grate
- 8 Electric Starter Pocket
- 9 Fire Bowl
- 10 Top Cooking Grate, Stainless Steel
- 11 Shock Absorber Assembly
- 12 "X" Leg Connectors (with bolts,
washers & spring washers) (x3)
- 13 Wood Shelves, Slatted, Dark (x2)
Solid Stainless Steel Shelves, (x2)
- 14 Handle (with nuts & washers)
- 15 Ash Drawer Body, Powder Coat
Ash Drawer Body, Stainless Steel
- 15.1 Starter Port Flipper Door, Powder Coat
Starter Port Flipper Door, Stainless Steel
- 16 Cart Leg, Curved, Powder Coat (x4)
Cart Leg, Curved, Stainless Steel (x4)
- 17 Felt Gasket
- 18 Rubber Wheels (x2) Standard
- 19 Rubber Wheels (x2) Locking
- 20 Bottom Cooking Grate, Stainless Steel
- 21 Starter Holster, Powder Coat
Starter Holster, Stainless Steel
- 22 Grill Cover
- 23 Lava Stone
- 24 SS Stone Bracket
- 25 Electric Starter
- 26 Flexible Grill Light, White
Flexible Grill Light, Black

PART NUMBERS

- VGC TV-CAS
VGC TV-SSS
- VGC TV-CAS-T
- VGC TV-CAS-SK
- VGC CDLSS-1
- VGC SSIT
- VGC RA1-L
- VGC SSDB-L
- VGC RA2
- VGC SB-RF
- VGC SB-RB
- VGC SB-LF-L
- VGC SB-LB-L
- VGC CGB-L
- VGC CG-1
- VGC ESP-1
- VGC FB-1
- VGC CGT-L
- VGC AC-L
- VGC XLC-L
- VGC WS-SD-L
VGC SSS-L
- VGC HDLSS-L
- VGC ADB-PC
VGC ADB-SS
- VGC ADB-PCFD-L
VGC ADB-SSFD-L
- VGC CLEG-PC
VGC CLEG-SS
- VGC FLT-L
- VGC WHLS-L
- VGC WHL-L-L
- VGC CGB-L
- VGC HOLST-PC
VGC HOLST-SS
- VGC GC-L
- VGK-101R
- VGK-BRACKET
- VGK-ELEC
- VGK-FGL-W
VGK-FGL-K