

This Owner's Manual is provided and hosted by [Appliance Factory Parts](#).



Vision Grill RL-W13D1L4 Owner's Manual

[Shop genuine replacement parts for Vision Grill
RL-W13D1L4](#)

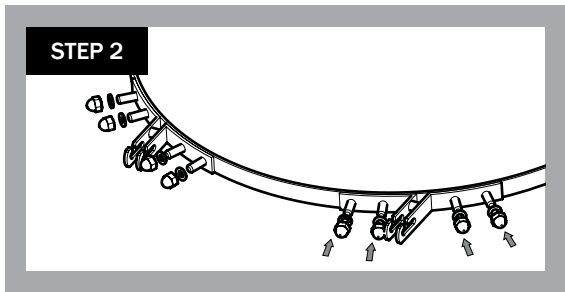
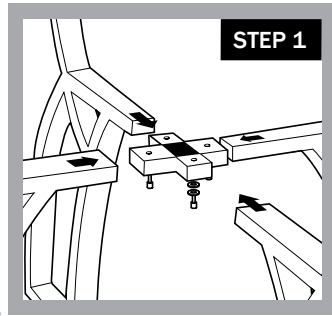


[Find Your Vision Grill Grill Parts - Select From 25 Models](#)

----- Manual continues below -----

Step 1: Cart Assembly

- Remove bolts, washers and locking washers from the two "X" connectors.
- Remove paper washers and begin assembling the "X" connectors and legs.
- Please Note: Top & Bottom "X" connectors must be assembled simultaneously.
- Assemble cart by inserting the two "X" connectors into leg ends and install bolts and washers in the same order they were removed from "X" connectors.
- While assembling, only finger-tighten bolts to allow for adjustment in cart. Otherwise it can be difficult to get all the bolts inserted.
- Screw in Standard Rubber Wheels to rear Cart Legs and the Locking Rubber Wheels to the front Cart Legs.
- Tighten nuts using wrench provided.
- After cart is assembled, confirm all bolts are tightened.

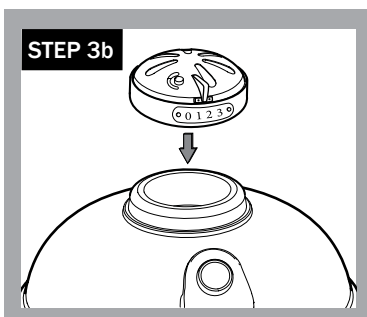
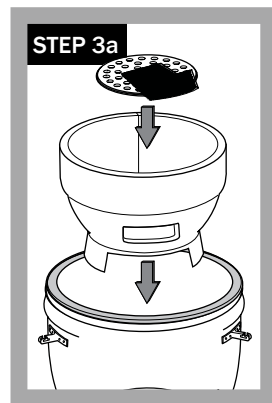


Step 2: Shelf Brackets

- Remove nuts and washers from bolts welded on the bottom banding and remove paper washers.
- Mount shelf brackets over studs with bracket slots facing up. Brackets are stamped on the back with letters indicating their position (e.g., LF=Left Front and RB=Right Back).
- Mount flat washer then acorn nut on each stud and tighten with wrench provided.

Step 3: Grill Assembly

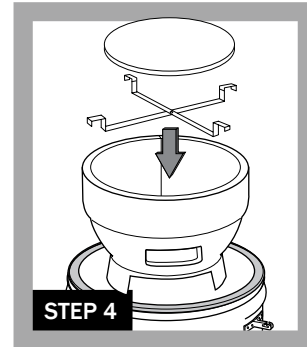
- Take all parts out of grill before lifting. The grill is heavy and will require two people to lift and guide the Kamado into cart.
- Be sure the ProZone™ is centered between the two front legs and the grill is resting against the two back legs.
- Lower fire bowl into grill with the ash drawer opening lined up with the opening in the main ceramic body. Place cast iron charcoal grate with attached starter pocket into fire bowl (Step 3a). Align tabs of starter pocket with electric starter port in fire bowl.



- Place cooking grates onto grill with hinged section facing towards front of grill.
- Close lid and press top vent onto grill with calibrations facing the front (Step 3b).

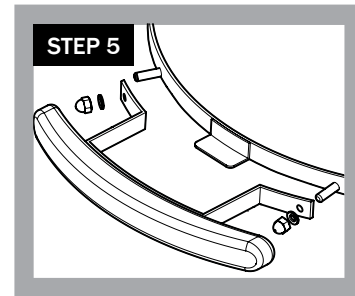
Step 4: Lava Stone & Bracket Assembly

- Open grill and take off grill grates to expose fire bowl.
- Spread bracket so it makes an "X" shape and lower onto fire bowl, allowing the bracket to rest on edge of bowl.
- Lower Lava Stone onto the bracket.



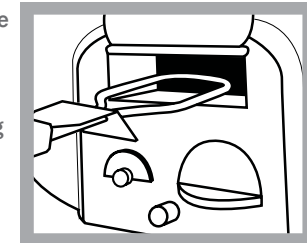
Step 5: Handle and Side Shelf Mounting

- Remove nuts and washers from bolts welded on the top banding opposite the hinge.
- Remove paper washers and attach handle bracket over studs. On each stud place a flat washer and an acorn nut, then tighten.
- Mount side shelves by inserting the shelf rod into the shelf bracket. Tilting the shelf up slightly and sliding in or out allows you to deploy or store the shelves.



Step 6: Using the Electric Starter

- Place required amount of charcoal inside fire bowl and open all bottom and top vents to maximize air flow.
- Flip open electric starter door and insert electric starter as far in as possible. Plug in electric starter.
- Wait until edges of charcoal turn white and flames are licking the mound of charcoal. On average it takes 10-15 minutes to start charcoal.
- Unplug starter and remove from ProZone™. Be careful when removing electric starter, the element will be very hot. After use, let element rest on support and cool completely away from children.

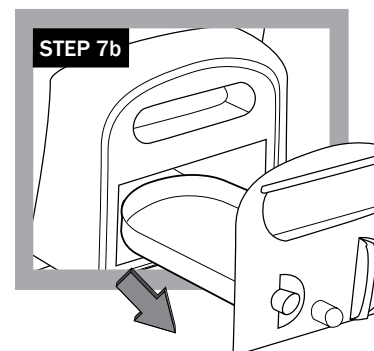
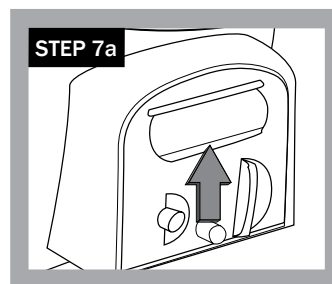


NOTE: Do not plug the electric starter in while it is raining unless you're in a safe and securely covered area.

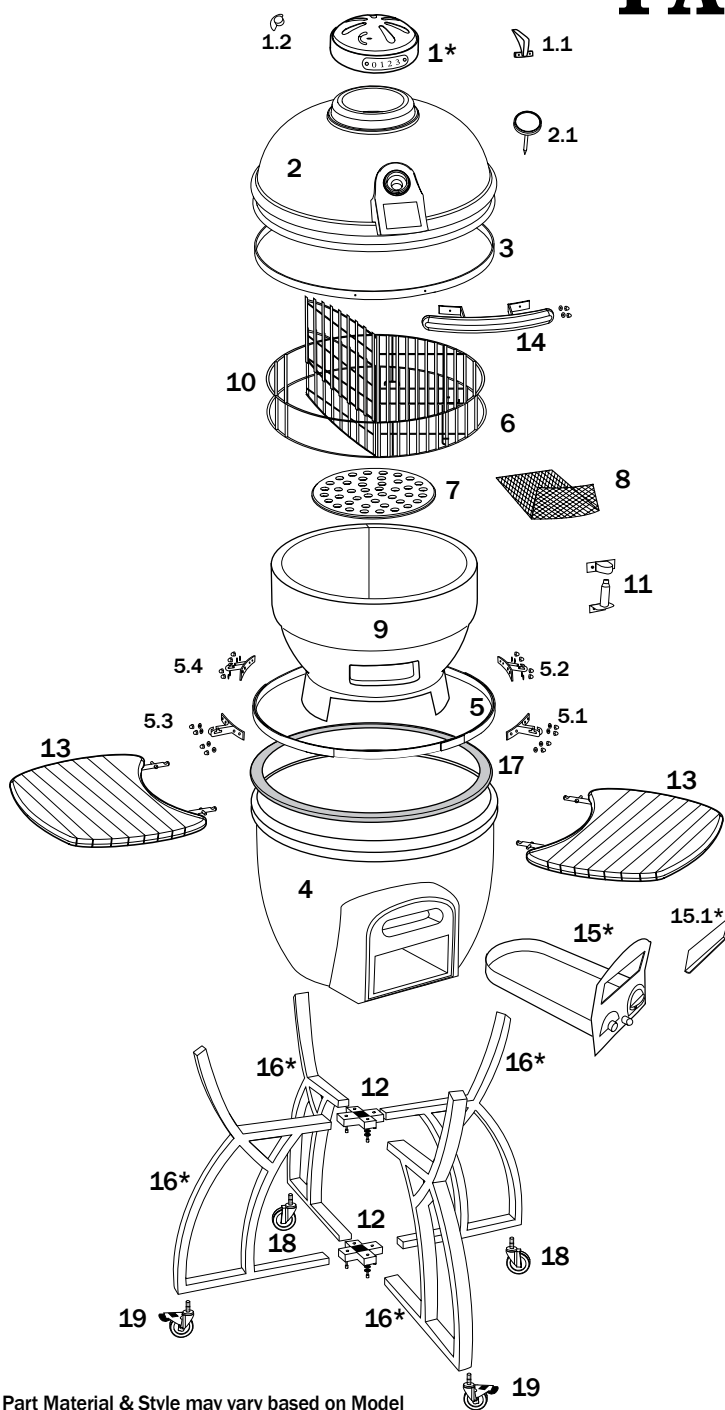
Step 7: Ash Drawer Usage

- Once grill is cool, it is safe to remove ash from ash drawer.
- Using bottom knob on ProZone™, lift slightly (Step 7a) and pull drawer out (Step 7b).
- Once ashes are emptied, reinstall by pushing ProZone™ back into grill body until it drops down back into place.

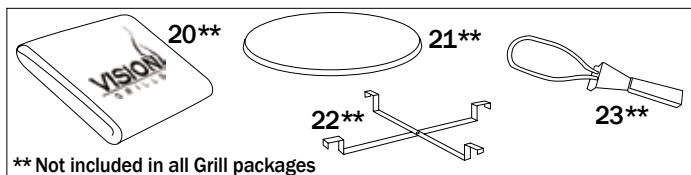
WARNING: ALWAYS WAIT FOR ASHES TO COOL BEFORE REMOVING ASH DRAWER. NEVER PULL OUT ASH DRAWER WHILE GRILL IS HOT.



PARTS



* Part Material & Style may vary based on Model



** Not included in all Grill packages

Long-Term Maintenance

- Cover your grill when not in use to extend life and maintain appearance.
- When moving grill always pull by the back hinge.

PART NAMES

	PART NAMES	PART NUMBERS
1	Cast Iron Top Vent Stainless Steel Top Vent	VGC TV-CAS VGC TV-SSS
1.1	Bakelite Tab	VGC TV-CAS-T
1.2	Smoker Knob	VGC TV-CAS-SK
2	Ceramic Dome Lid	VGC CDLSS-1
2.1	Thermometer	VGC SSIT
3	Top Ring Assembly	VGC RA1-L
4	Ceramic Dome Bottom	VGC SSDB-L
5	Bottom Ring Assembly	VGC RA2
5.1	Right Front Side Shelf Bracket (with nuts & washers)	VGC SB-RF
5.2	Right Back Side Shelf Bracket (with nuts & washers)	VGC SB-RB
5.3	Left Front Side Shelf Bracket (with nuts & washers)	VGC SB-LF-L
5.4	Left Back Side Shelf Bracket (with nuts & washers)	VGC SB-LB-L
6	Bottom Cooking Grate	VGC CGB-L
7	Charcoal Grate	VGC CG-1
8	Electric Starter Pocket	VGC ESP-1
9	Fire Bowl	VGC FB-1
10	Top Cooking Grate	VGC CGT-L
11	Shock Absorber Assembly	VGC AC-L
12	"X" Leg Connectors (with bolts, washers & spring washers)	VGC XLC-L
13	Wood Shelves, Slatted, Dark (x2)	VGC WS-SD-L
14	Handle (with nuts & washers)	VGC HDLSS-L
15	Ash Drawer Body, Powder Coat Ash Drawer Body, Stainless Steel	VGC ADB-PC VGC ADB-SS
15.1	Starter Port Flipper Door, Powder Coat Starter Port Flipper Door, Stainless Steel	VGC ADB-PCFD-L VGC ADB-SSFD-L
16	Cart Leg, Curved, Powder Coat (x4) Cart Leg, Curved, Stainless Steel (x4)	VGC CLEG-PC VGC CLEG-SS
17	Felt Gasket	VGC FLT-L
18	Rubber Wheels (x2) Standard	VGC WHLS-L
19	Rubber Wheels (x2) Locking	VGC WHL-L-L
20	Grill Cover	VGC GC-L
21	Lava Stone	VGK-101R
22	SS Stone Bracket	VGK-BRACKET
23	Electric Starter	VGK-ELEC

Visit
www.visiongrills.com/register
to register your grill.