

This Owner's Manual is provided and hosted by [Appliance Factory Parts](#).



Vision Grill VG-XL15 Owner's Manual

[Shop genuine replacement parts for Vision Grill
VG-XL15](#)

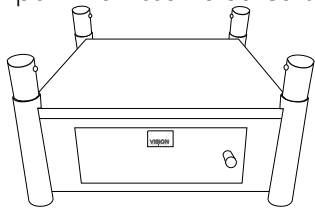


[Find Your Vision Grill Grill Parts - Select From 25 Models](#)

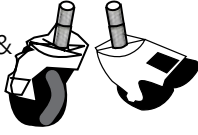
----- Manual continues below -----

Parts Included:

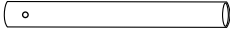
A 1 pc. - Pre-Assembled Cart



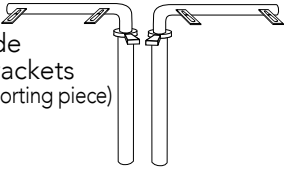
B 2 pcs. ea. - Caster Wheels & Locking Caster Wheels



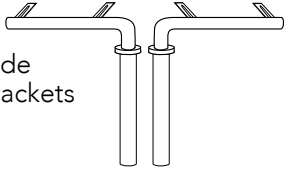
C 4 pcs. - Side Posts



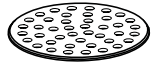
D 2 pcs. - Rear Side Shelf Brackets (with supporting piece)



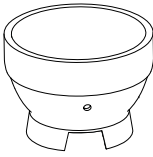
E 2 pcs. - Front Side Shelf Brackets



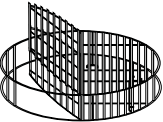
F 1 pc. - Charcoal Grate



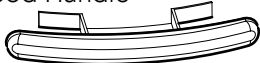
G 1 pc. - Fire Bowl



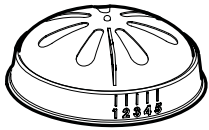
H 1 pc. - 2 Tier Flip Grate



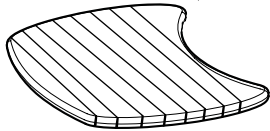
I 1 pc. - Wood Handle



J 1 pc. - Top Vent

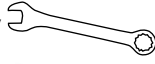


K 2 pcs. - Side Shelves



Tools Included:

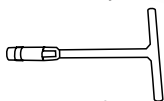
L Handle Assembly Wrench



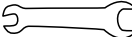
M Box Wrench: For shelves assembly



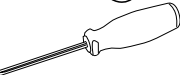
N T-Wrench



O Flat Wrench



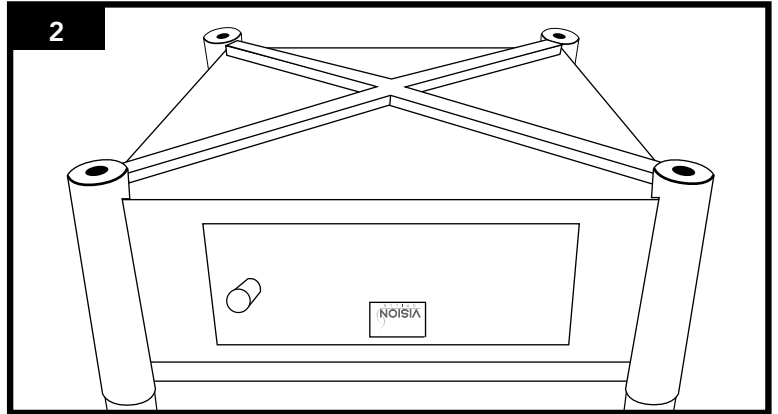
P Screw Driver



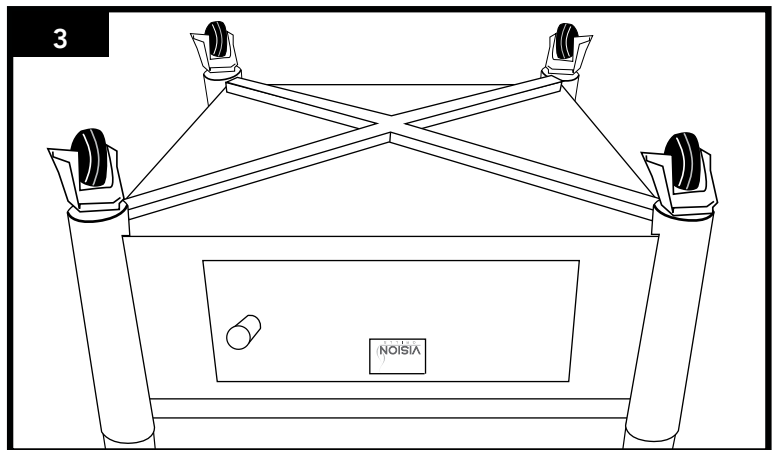
ASSEMBLY INSTRUCTIONS XL-Series Grill

1 Unpack and inspect contents to confirm that you have all parts and tools listed. For your convenience, Bolts, Screws and Washers will be partially attached to corresponding Parts.

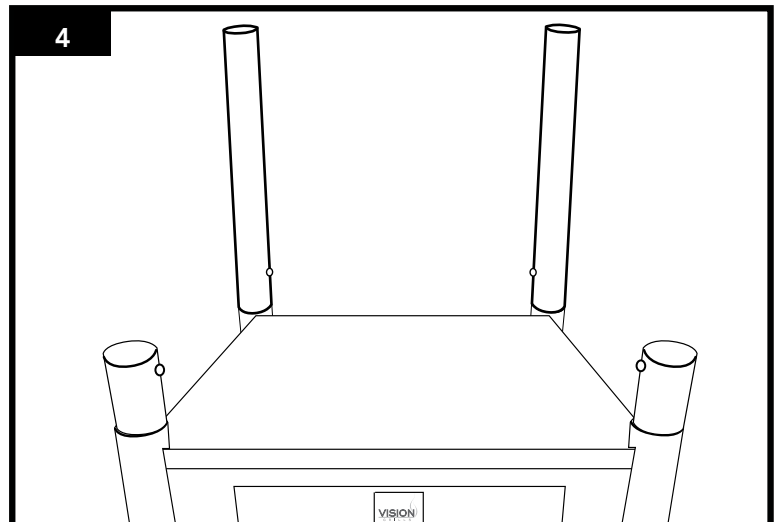
2 Unpack Pre-Assembled Cart and place upside down.



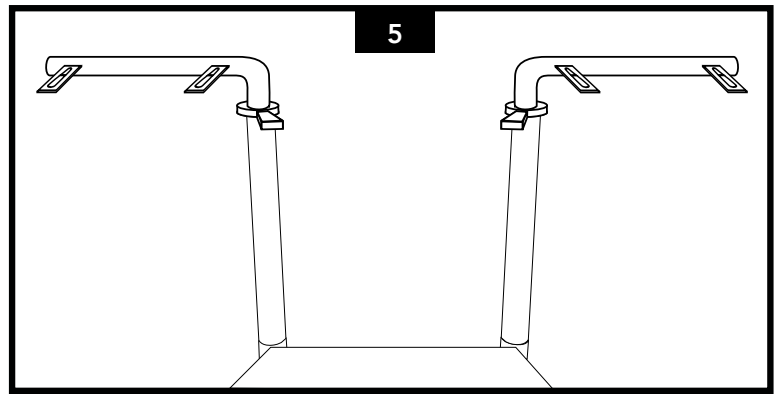
3 Use provided Flat Wrench to tighten Caster Wheels to each post. Install Locking Caster Wheels to front of Cart.



4 Flip Cart right side up. Insert two Side Posts to the back of the Pre-Assembled Cart. Line up holes in Side Posts with spring loaded pins and have them snap into place

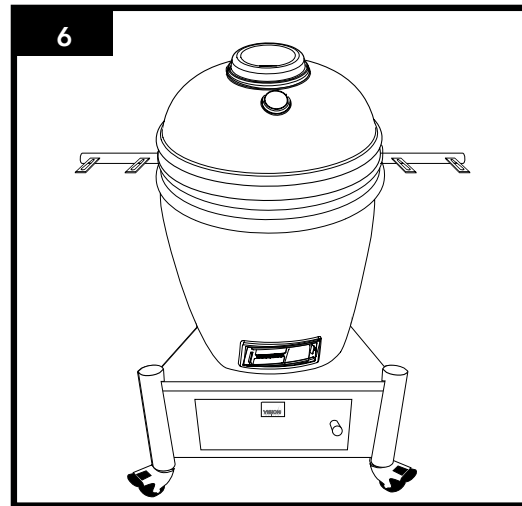


- 5** Insert Rear Side Shelf Brackets (with Supporting Pieces) into rear Side Posts. Make sure the supporting pieces are facing inward.



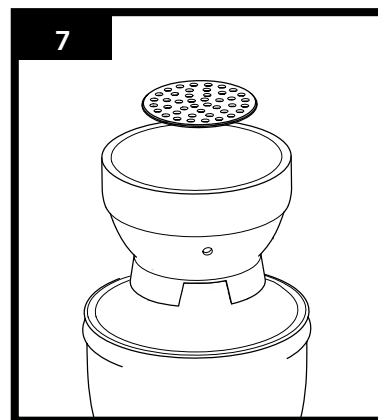
- 6** Remove Fire Bowl from inside of Grill. Team lift the XL Grill onto the Cart. This is best achieved by taking hold of the rear hinge and the opening to the front bottom draft door.

When Grill is resting on Cart gently push back so that back of Grill is resting against the felt of the supporting pieces on the rear Side Shelf Brackets.

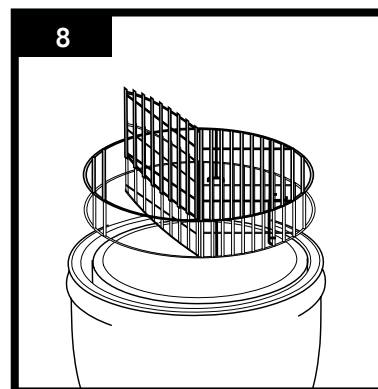


- 7** Place Fire Bowl back into the Grill with the bottom opening lining up with bottom draft door.

Center Charcoal Grate in bottom of the Fire Bowl.

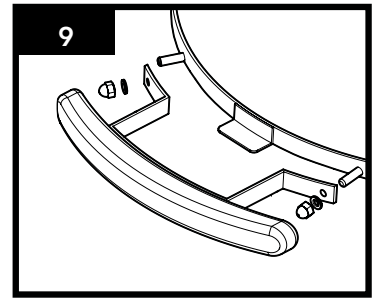


- 8** Place 2-Tier Flip Grate onto Fire Bowl within the body of the Grill.

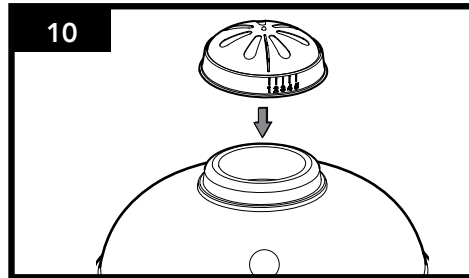


9

To attach Handle remove the nuts and washers from the bolts welded on the top banding carefully. Remove the paper washers. Attach the handle by placing handle bracket over studs, opposite the hinge. On each stud use flat washer, then screw on acorn nut and tighten with provided Handle Assembly Wrench.

**10**

Close lid and press top vent onto top of Kamado so spring clips are fully engaged, with calibrations facing the front of the grill.

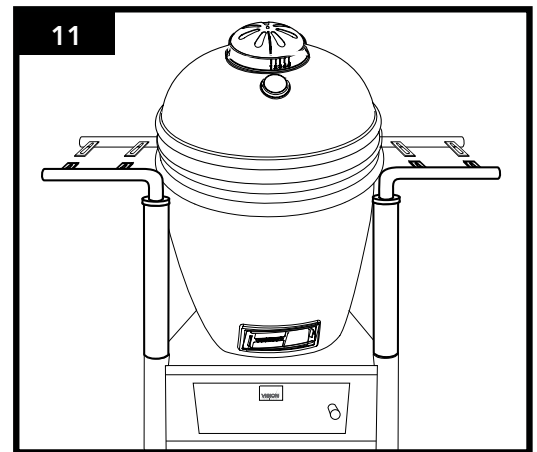
**11**

Insert two Side Posts to the front of the Pre-Assembled Cart.

Insert front Side Shelf Brackets into front Side Posts.

Reach into storage cabinet of the Pre-assembled Cart and tighten the built-in Butterfly Screw on the front Left Post.

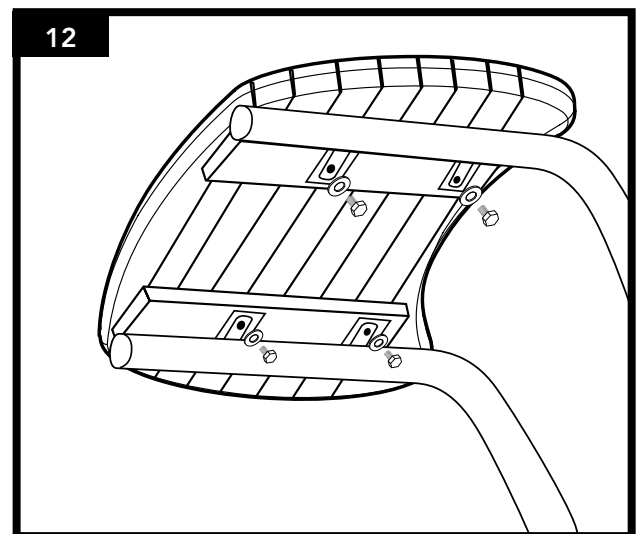
Then tighten the built-in Butterfly Screw on the front Right Post.

**12**

To attach Side Shelves remove the washers and the bolts from the bottom of the Shelves.

Position the openings of the Side Shelf Brackets so that they line up with the holes on the Side Shelves.

Using the included box wrench, tighten the bolts into bottom of the side shelves.



13 The Pre-Assembled Cart ships with the Door Locking Knob for the storage cabinet in the locked position. The finger notch will be facing downwards (fig. 13a).

To unlock the Door simply turn the Locking Knob clockwise or counter clockwise approximately 45 degrees (fig. 13b and fig. 13c).

