

This Owner's Manual is provided and hosted by [Appliance Factory Parts](#).



Vision Grill B-K1C2A1-N1 Owner's Manual

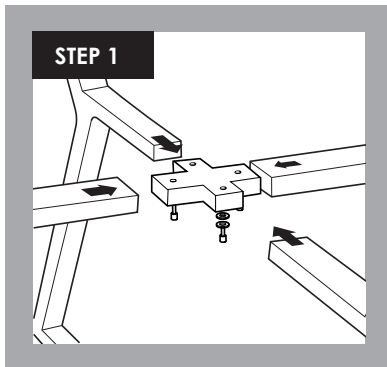
[Shop genuine replacement parts for Vision Grill
B-K1C2A1-N1](#)



[Find Your Vision Grill Grill Parts - Select From 25 Models](#)

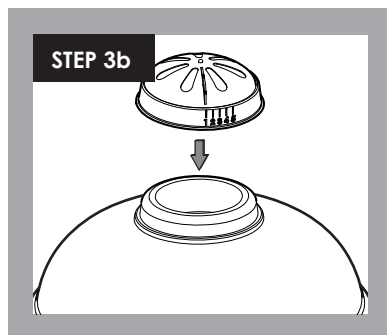
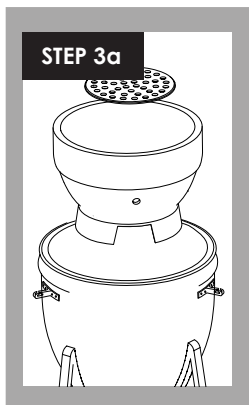
----- Manual continues below -----

SET-UP KAMADO CLASSIC B.



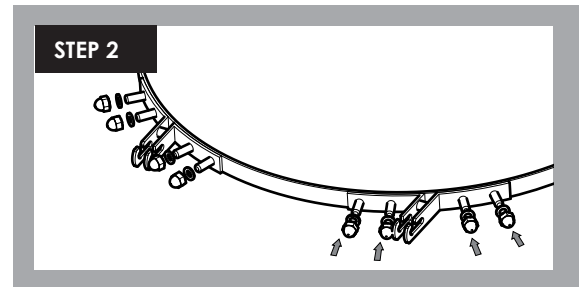
Step 1: Cart Assembly

First remove the bolts, washers and spring washers from the two "X" connectors carefully. Remove the paper washers and then begin the assembly for the "X" connectors and legs. Flip cart upside down for easy assembly. Assemble cart by inserting two "X" connectors into leg ends, then screw in using the wrench provided. Place lock washer above flat washer over bolt before screwing through leg into "X" connector. Screw in casters and tighten nuts using wrench provided. While assembling, leave screws loose to allow adjustment in cart. Otherwise it can be difficult to get all of the screws in. After cart is assembled, confirm all bolts are tightened, then lift Kamado and set into cart with bottom vent centered between two legs.



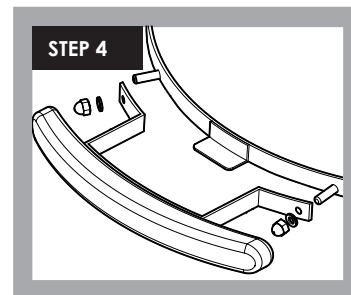
Step 3: Grill Assembly

Take all parts out of grill before lifting. The grill is heavy and will require 2 people to lift it into cart and if possible a third person to help guide the kamado into cart. Using the shelf brackets as lift handles, lift grill and set it into cart. Make sure the back of the grill body is resting on the padded back of the rear cart legs. This will help stabilize the grill when the lid is opened. (Step 3a:) Lift fire bowl into the ceramic body, and then place the cast iron grate into the fire bowl. Place cooking grate onto grill with hinged section facing towards front of grill. (Step 3b:) Close lid and press top vent onto top of kamado so spring clips are fully engaged, with calibrations facing the front of the grill.



Step 2: Shelf Bracket

Remove the nuts and washers from the bolts welded on the bottom banding carefully. Remove the paper washers. Place the side brackets on the bolts and screw side brackets down tightly with the nuts and washers. Mount shelf brackets over studs on the sides of the metal bands on the bottom ceramic grill body with bracket slots facing up. Brackets are stamped on the back with letters indicating their position (e.g., LF=Left Front bracket and RB=Right Back bracket). Mount flat washer then acorn nut on each stud and tighten with wrench provided.



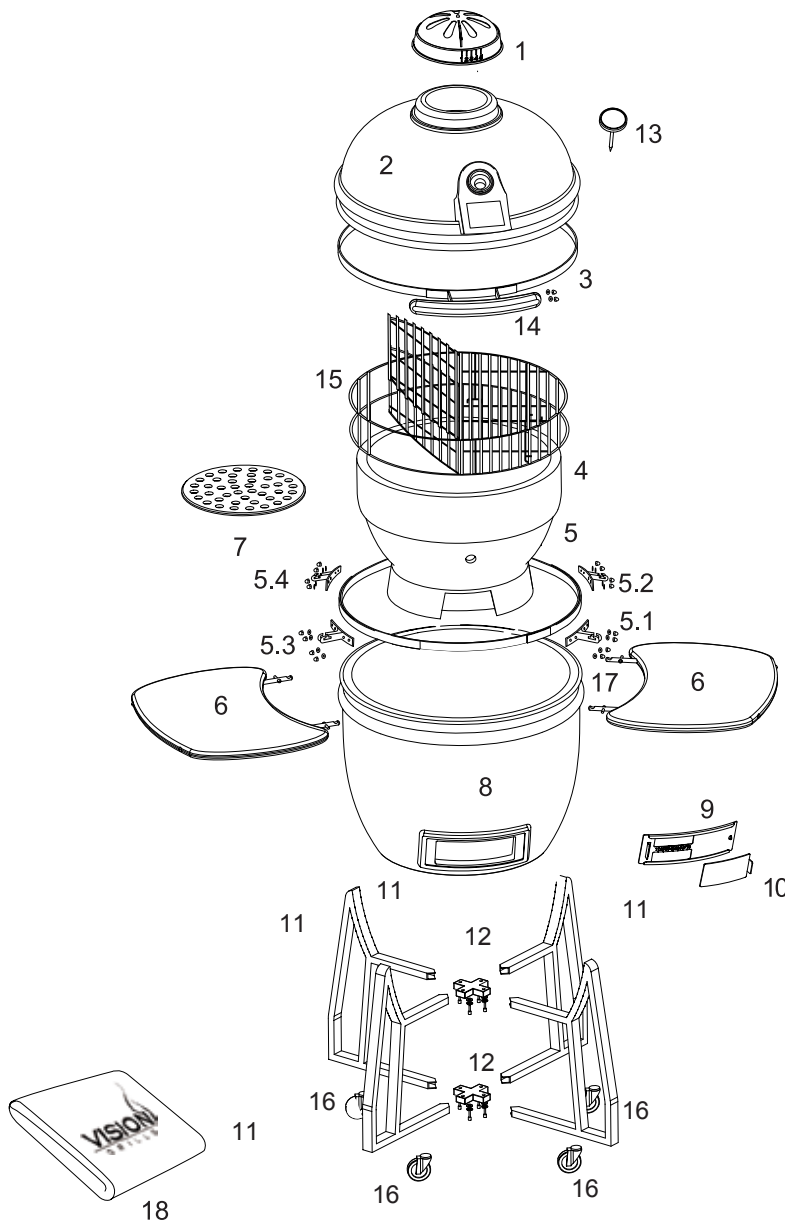
Step 4: Handle and Side Shelf Mounting

Remove the nuts and washers from the bolts welded on the top banding carefully. Remove the paper washers, place the handle on the bolts, and tightly screw the handle down using the nuts and washers. Attach the handle by placing handle bracket over studs, opposite the hinge. On each stud use flat washer, then screw on acorn nut and tighten. Mount side shelves by inserting the shelf rod into the shelf bracket. Tilting the shelf up slightly and sliding in or out allows you to deploy or store the shelves.

Step 5: Long-Term Maintenance

1. The Wood Side Shelves should be covered when not in use and may require refinishing from time to time.
2. Routinely check the Spring Assist Band to make sure the 2 5/8" bolts are tight and secure.
3. When moving your grill please remember to make sure locking casters are in the unlocked position and always pull your grill. Never Push it. Pull from the Back Hinge. Not the Handle. Your grill is more likely to tip if you push it and it hits a bump or indentation on the ground.

PARTS



PART NAMES

PART NAMES		PART NUMBERS
1	Fixed Top Vent	KSS T - AA
2	Ceramic Dome Lid	KSS CD-TCD1
3	Top Ring Assembly	KSS RA-B1
4	Fire Bowl	KSS FB-1
5	Bottom Ring Assembly	KSS RA-B2
5.1	Right Front Side Shelf Bracket (with nuts & washers)	KSS SB-RF
5.2	Right Back Side Shelf Bracket (with nuts & washers)	KSS SB-RB
5.3	Left Front Side Shelf Bracket (with nuts & washers)	KSS SB-LF
5.4	Left Back Side Shelf Bracket (with nuts & washers)	KSS SB-LB
6	Wood Shelves (x2)	KSS S V L-R/L
7	Charcoal Grate	KSS CG-1
8	Ceramic Dome Bottom	KSS TV-F SS2
9	Bottom Draft Door Frame	KSS BD-1
10	Bottom Draft Door	KSS BD-2
11	Tubular Legs (x4) Straight	VGKPM LEG-4
12	X Leg Connect (with bolts, washers & spring washers)	KSS LEG-X2
13	Thermometer	KSS TMT-1
14	Handle (with nuts & washers)	KSS CG-1
15	Cooking Grates	KSS HDL-1
16	Rubber Wheels (x4) Standard	KSS WHL-4
17	Felt Gasket	KSS-FLT-1
18	Grill Cover	KSS-GC