

This Owner's Manual is provided and hosted by [Appliance Factory Parts](#).



Napoleon GDS28-1NSB Owner's Manual

[Shop genuine replacement parts for Napoleon
GDS28-1NSB](#)



HALIBURTON™

Direct Vent, Gas Stove, Millivolt Ignition

Natural Gas

[Find Your Napoleon Fireplace Parts - Select From 171 Models](#)

----- Manual continues below -----

NAPOLEON



GAS BURNING STOVES
napoleonfireplaces.com

Find your happy (fire)place.

Throughout the ages, people have gathered around fires to share in life's greatest joys. There's just something about the glow of flickering flames that makes special moments feel even warmer.

A Napoleon fireplace is uniquely designed to brighten the vibe of any room in your house. Napoleon has an incredible range of designer options to fit any vision.

A fire not only raises the warmth and ambiance of a room, it can raise the value of your home. A fireplace offers some of the highest returns of any remodeling project. And that should make you feel good all over.

And so you can keep enjoying that positive glow for years and years and years to come, every Napoleon fireplace is backed by the President's Limited Lifetime Warranty.

Arlington™ - GDS20	4 - 5
Bayfield™ - GDS25.....	6 - 7
Castlemore™ - GDS26	8 - 9
Haliburton™ - GDS28	10 - 11
Havelock™ - GDS50	12 - 13
Knightsbridge™ - GDS60	14 - 15
Napoleon's Outstanding Features	16
Detailed Specifications & Line Drawings	17 - 19



We are proud to be recognized as one of Canada's Best Managed Companies and are dedicated to providing quality, home comfort products for over 40 years and counting.

Cover Photo - Bayfield™ shown in Porcelain Enamel Majolica Brown Finish.





Napoleon's Hot Spots Research Study delivers
the home. In particular, how to help you add r
and functionality to rooms to enhance your me
*Throughout this brochure we will share some e
For more inspiration visit napoleonfireplaces.com*



The Haliburton™ shown with Meta

Arlington™

Compact in Size - Huge in Style

The Arlington™ cast iron gas stove, with its slender, space saving design and 45° venting, is perfect for smaller rooms. The Arlington™ is available in metallic black or a porcelain enamel majolica brown finishes and includes MIRRO-FLAME™ Porcelain Reflective Radiant Panels. Even though small in size, it holds a large PHAZERAMIC™ burner system, PHAZER® log set and brightly glowing ember bed that can be viewed through the European styled ceramic glass viewing area.

Options & Accessories



F45 & F60 Remote Controls
On/Off with Digital Screen



MIRRO-FLAME™ Porcelain
Reflective Radiant Panels
(included)



Easy access hidden
control panel



45° venting for versatile
horizontal or vertical
installations



Metallic Black Finish



GDS20

Up to 20,000 BTU's
19 1/4" W x 25 3/8" H

For more detailed specifications on this unit, see page 17

Bayfield™

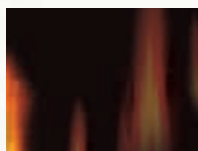
Your Choice of Three Designer Colors

The Bayfield™ cast iron stove comes in three designer colors that will look great in any home or cottage. The built-in secondary heat exchanger provides excellent heating efficiency and heat retention. Other features include a cost saving electronic ignition with battery back-up, flame/heat adjustment, ceramic glass and an exclusive NIGHT LIGHT™ which creates a warm glow even when the stove is not on.

Options & Accessories



F45 & F60 Remote Controls
On/Off with Digital Screen



MIRRO-FLAME™ Porcelain
Reflective Radiant Panels
(included)



Built-in NIGHT LIGHT™



Metallic Black Finish



Winter Frost Finish



GDS25

Up to 24,500 BTU's
23 1/2" W x 25 5/8" H

For more detailed specifications on this unit, see page 17

Castlemore™

More Than Just a Reliable Heating Source

The Castlemore™ cast iron gas stove adds more than just a reliable heating source to your home. With its sleek curves and tall, slender stature, it becomes the ultimate focal point for any room. The Castlemore™ comes complete with Napoleon's exclusive NIGHT LIGHT™, PHAZERAMIC™ burner system, PHAZER® log set and glowing ember bed, creating a beautiful display of YELLOW DANCING FLAMES®. The classic European design will never go out of style and the heating power will provide a lifetime of enjoyable comfort.



Metallic Black



Majolica Brown



Summer Moss Finish

Options & Accessories



Proflame II Remote Control



MIRRO-FLAME™ Porcelain Reflective Radiant Panels (included)



Decorative Sandstone Brick Panels



Easily converts from rear vent to top vent



The Living Room, the
prime targets for consumers
get these rooms right



GDS26

Up to 25,000 BTU's
23 5/8" W x 35 1/2" H

For more detailed specifications on this unit, see page 18

Haliburton™

Dynamic Design, Environmentally Friendly Technology

Good things do come in small packages! If you have limited space but still desire the beauty and convenience of a gas stove... Napoleon's Haliburton™ is the answer! The Haliburton™ offers many benefits – a built-in blower, easily accessible control panel, solid body construction, a triple flame burner and a PHAZER® log set with glowing embers creating a beautiful display of YELLOW DANCING FLAMES®. Offering a variable heat range, as high as 30,000 BTU's, this stove may be compact in stature, but not in power!



Satin Chrome Door and Accent Bar



24k Gold Plated Door and Bar

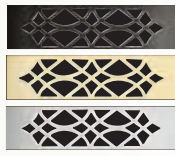
Options & Accessories



F45 & F60 Remote Controls
On/Off with Digital Screen



Andirons
Painted Black Finish



Trivets
Three Colour Options



B-Vent Adapter Kits
See page 17 for details



GDS28

Up to 30,000 BTU's
22 1/2" W x 26 3/4" H

For more detailed specifications on this unit, see page 18

Havelock™

Sophisticated Heating Technology

This sophisticated gas stove comes complete with a built-in blower, extra large heat exchanger, easily accessible control panel and an advanced high tech, triple burner effect with a “furnace” type 14,000 BTU burner behind the logs. Acting as a “Turbo Boost” for those colder days & nights, it’s perfect for colder climates. All of the Havelock™ features combined with clean-burning, environmentally friendly technology, makes it the perfect choice to add long-lasting value to your home!



Satin Chrome Door a



Gold Door and Accen

Options & Accessories



F45 & F60 Remote Controls
On/Off with Digital Screen



Andirons
Painted Black Finish



Trivet
Painted Black Trivet



B-Vent Adapter Kits
See page 17 for details



*Napoleon's Hot Spots
show over 90% of people
desire a fireplace in their home.*



GDS50

Up to 44,000 BTU's
28 1/4" W x 30 3/4" H

For more detailed specifications on this unit, see page 19



Knightsbridge™

Solid Performance and Impressive Heating Efficiencies

Napoleon's Knightsbridge™ has always been in popular demand for its cast iron design, solid performance and impressive heating efficiencies. The Knightsbridge™ comes standard with Napoleon's PHAZER® log set, glowing embers, anti-condensation switch (controls pilot usage for cold climate installations) and electronic ignition with battery back-up. Its fine detailing and elegant cast iron design is a perfect complement to any home.

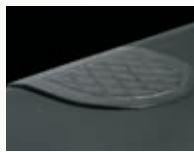
Options & Accessories



F45 & F60 Remote Controls
On/off or Modulating



Andirons
Painted Black Finish



Cast Iron Trivet
Painted Black Finish



B-Vent Adapter Kits
See page 17 for details



Decorative Sandstone
Brick Panels



Porcelain Majolica Brown Finish



GDS60

Up to 35,000 BTU's

27" W x 30 1/2" H

For more detailed specifications on this unit, see page 19

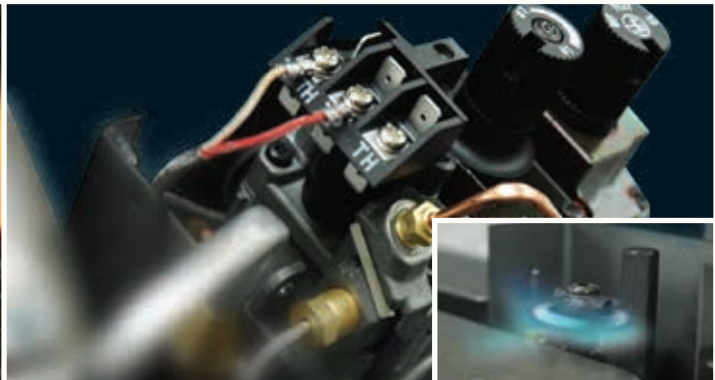
Outstanding Features

of Napoleon's Advanced Technology



Advanced Burner Technology

Napoleon's sophisticated burner system offers superior flame technology. Strategically placed burner ports create the most realistic YELLOW DANCING FLAMES® in the industry.



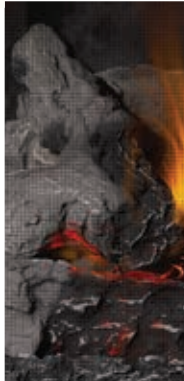
Finely Tuned Precision Valves

Surrounded with a protective cast aluminum jacket, the precision valves allow for ultimate reliability and 100% SAFE GUARD™ gas control system.

Minimum 30% savings on heating costs with Zone Heating



Zone Heating means you are heating the rooms that you use the most with an alternate heat source, like a Napoleon gas fireplace. Zone Heating is the obvious solution for families concerned about rising fuel costs.



Outstanding

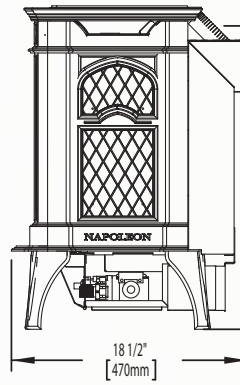
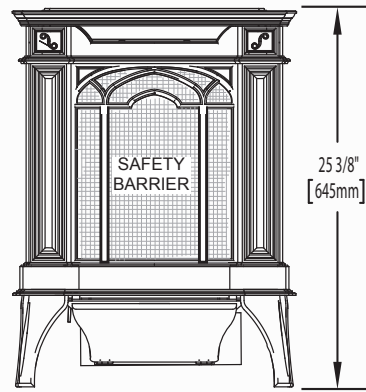
Fine details
Napoleon fi
with pride o

Safety Scree

Napoleon, I
developed s
pleasing de
ensure ultir
your family

Arlington™

Shown on pages 4 & 5

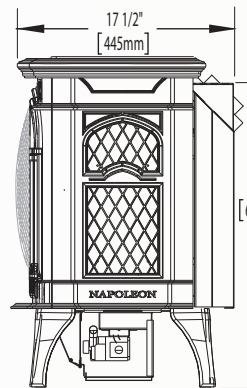
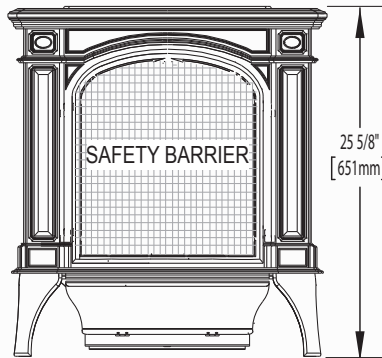


Model	BTU's (Input)		Venting	Height	Front Width	Depth	Glass Type	Viewing Area		Efficiencies			Blower Kit	Mobile Cert
	Natural Gas	Propane						Actual	Actual	Actual	Height	Width		
GDS20	20,000	20,000	45°	25 3/8"	19 1/4"	18 1/2"	Ceramic	13"	14"	60%	-	78%	Optional	Ye

Certified under Canadian and American National Standards.

Bayfield™

Shown on pages 6 & 7



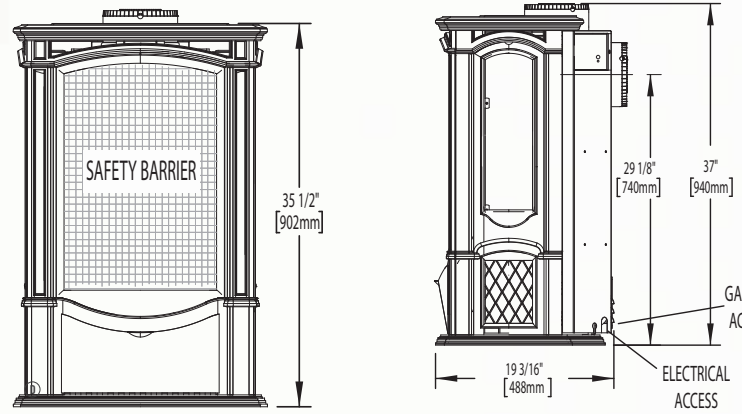
Model	BTU's (Input)		Venting	Height	Front Width	Depth	Glass Type	Viewing Area		Efficiencies			Blower Kit	Mobile Cert
	Natural Gas	Propane						Actual	Actual	Actual	Height	Width		
GDS25	24,500	23,000	45°	25 5/8"	23 1/2"	17 1/2"	Ceramic	15"	18"	64.1%	64%	80%	Optional	Ye

Certified under Canadian and American National Standards.

Figures may vary with individual conditions such as floor plan layout, insulation. Measurements to be used as a guide only. Consult your owner's manual for complete and up-to-date installation instructions.

Castlemore™

Shown on pages 8 & 9

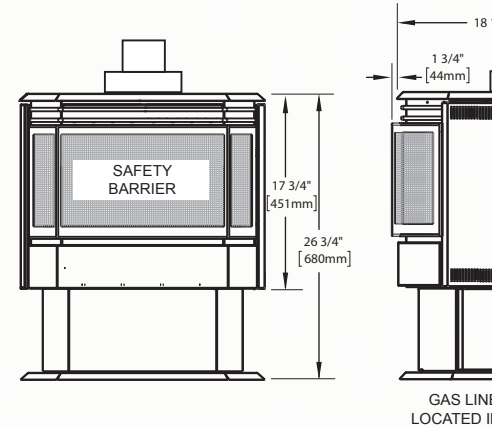


Model	BTU's (Input)		Venting	Height	Front Width	Depth	Glass Type	Viewing Area		Efficiencies			Blower Kit	Mobile Certified
	Natural Gas	Propane		Actual	Actual	Actual		Height	Width	EnerGuide	AFUE	Steady State		
GDS26-1	25,000	25,000	Top or Rear	35 1/2"	23 5/8"	19 3/16"	Ceramic	24"	16 5/8"	61.3%	-	82%	Optional	Yes

Certified under Canadian and American National Standards. This product has a design registration. Wolf Steel Ltd.

Haliburton™

Shown on pages 10 & 11



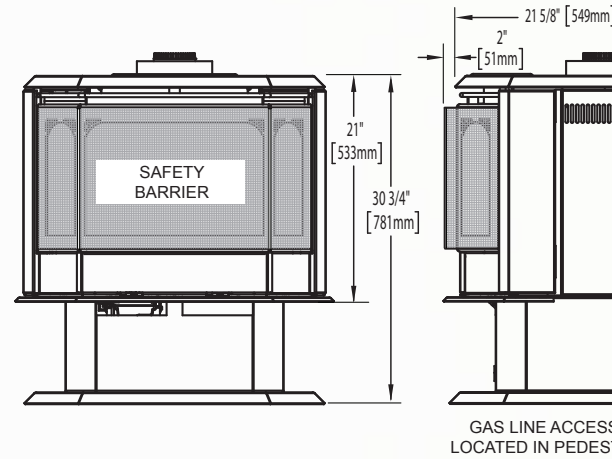
Model	BTU's (Input)		Venting	Height	Front Width	Depth	Glass Type	Viewing Area		Efficiencies			Blower	Mobile Certified
	Natural Gas	Propane		Actual	Actual	Actual		Height	Width	EnerGuide	AFUE	Steady State		
GDS28	30,000	26,000	Top	26 3/4"	22 1/2"	18 1/2"	Ceramic	12 3/8"	21"	69.5%	65%	85%	Standard	Yes

Certified under Canadian and American National Standards.

Figures may vary with individual conditions such as floor plan layout, insulation value/heat loss of the house and geographical location. Measurements to be used as a guide only. Consult your owner's manual for complete and up-to-date installation instructions and proper clearances to combustible materials.

Havelock™

Shown on pages 12 & 13

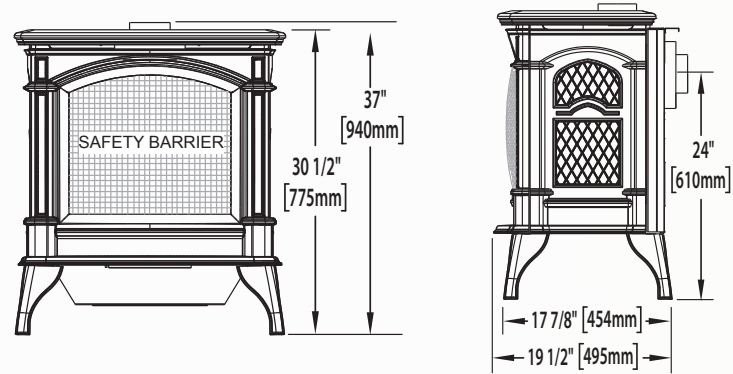


Model	BTU's (Input)		Venting	Height	Front Width	Depth	Glass Type	Viewing Area		Efficiencies			Blower	Mobile Certi
	Natural Gas	Propane						Actual	Width	EnerGuide	AFUE	Steady State		
GDS50	44,000	40,000	Top	30 3/4"	28 3/4"	21 5/8"	Ceramic	13 7/8"	25 3/4"	70%	67%	84%	Standard	Ye

Certified under Canadian and American National Standards.

Knightsbridge™

Shown on pages 14 & 15



Model	BTU's (Input)		Venting	Height	Front Width	Depth	Glass Type	Viewing Area		Efficiencies			Blower Kit	Mobile Certi
	Natural Gas	Propane						Actual	Width	EnerGuide	AFUE	Steady State		
GDS60	35,000	31,500	Top or Rear	30 1/2"	27"	19 1/2"	Ceramic	18 3/4"	21"	63.1%	64%	78%	Optional	Ye

Certified under Canadian and American National Standards.

Figures may vary with individual conditions such as floor plan layout, insulation. Measurements to be used as a guide only. Consult your owner's manual for complete and up-to-date installation instructions.

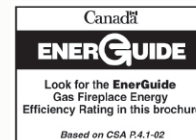


NAPOLEON - CELEBRATING OVER 40 YEARS OF HOME COMFORT PRODUCTS



24 Napoleon Road, Barrie, Ontario, Canada L4M 0G8
103 Miller Drive, Crittenden, Kentucky, USA 41030
7200 Trans Canada Highway, Montreal, Quebec, Canada H4T 1A3

Tel: 1-866-820-8686
napoleonfireplaces.com



Authorized Dealer

Consult your owner's manual for complete installation instructions and proper clearances to combustible materials. Check all local and national building codes and gas regulations. All specifications are subject to change without prior notice due to on-going product improvements. Products may not be exactly as shown. Flame height and activity is influenced by varying vent configurations and may not appear as shown. Napoleon is a registered trademark of Wolf Steel Ltd. © Wolf Steel Ltd. EnerGuide - A Canadian efficiency standard based on frequent, short start-up and cool-down cycles. All appliances sold in Canada are subject to this EnerGuide rating system. AFUE- A US efficiency standard (Department of Energy) based on extended on/off cycles, more typical of fireplace usage. Steady State - Reflects the highest possible overall heating efficiency. Product images may vary due to safety barrier regulations coming into effect January 2015.