

This Owner's Manual is provided and hosted by [Appliance Factory Parts](#).



Napoleon GDS25N-1 Owner's Manual

[Shop genuine replacement parts for Napoleon
GDS25N-1](#)



[Find Your Napoleon Fireplace Parts - Select From 171 Models](#)

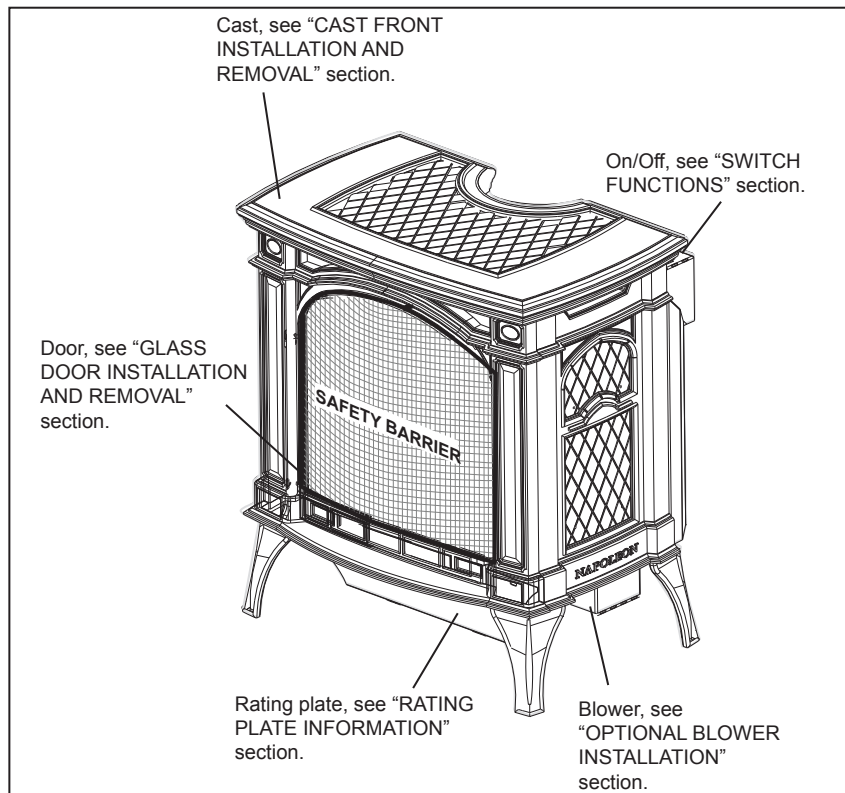
----- Manual continues below -----

BAYFIELD™ DIRECT VENT GAS STOVE

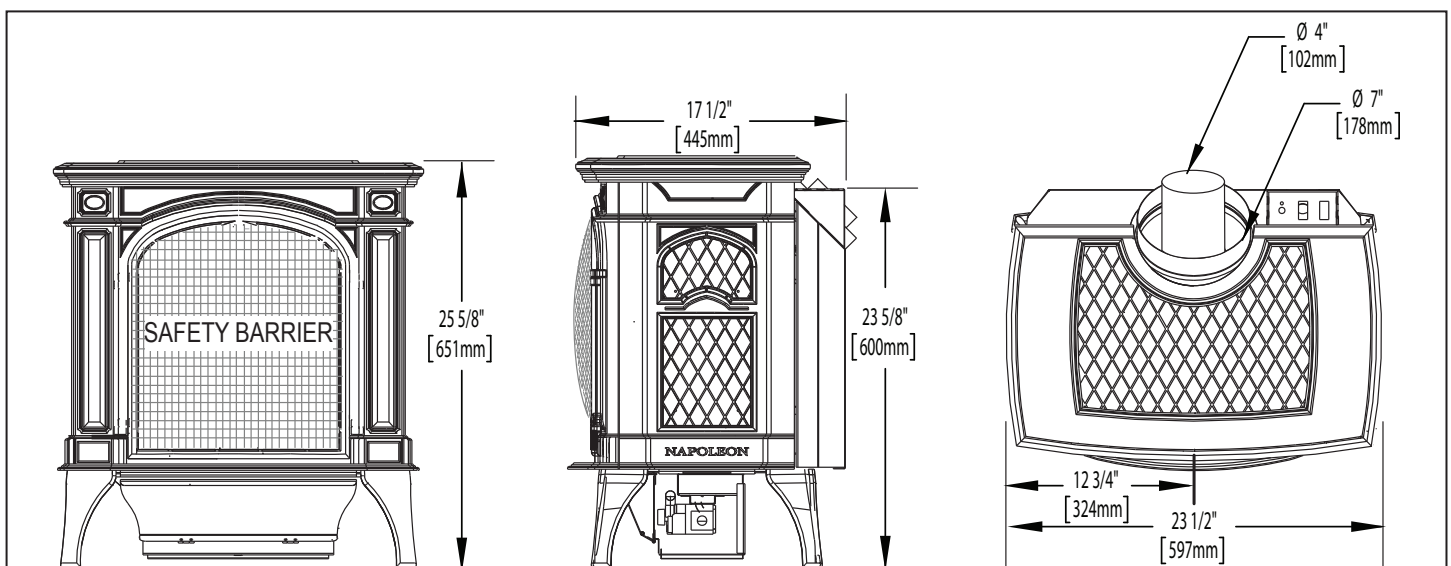
Specifications

Model	BTU (NG)	BTU (LP)	Width	Height	Depth	Glass
GDS25	24,500	23,000	23 1/2"	25 5/8"	17 1/2"	15 X 18"

Overview



Dimensions

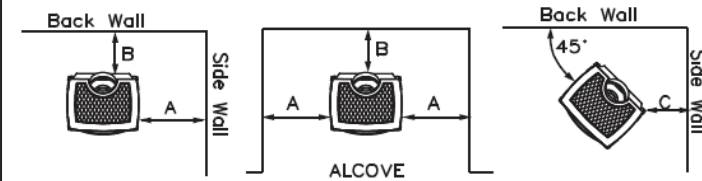


BAYFIELD[™] DIRECT VENT GAS STOVE

Clearances

Minimum Clearance To Combustibles

As long as clearance to combustibles is kept within the required distances, the most desirable and beneficial location for a Napoleon[®] appliance is in the centre of a building, thereby allowing the most efficient use of the heat created. The location of windows, doors and the traffic flow in the room where the appliance is to be located should be considered. If possible, you should choose a location where the vent will pass through the house without cutting a floor or roof joist.



A. 4" (102mm) B. 2" (51mm)* C. 2" (51mm)

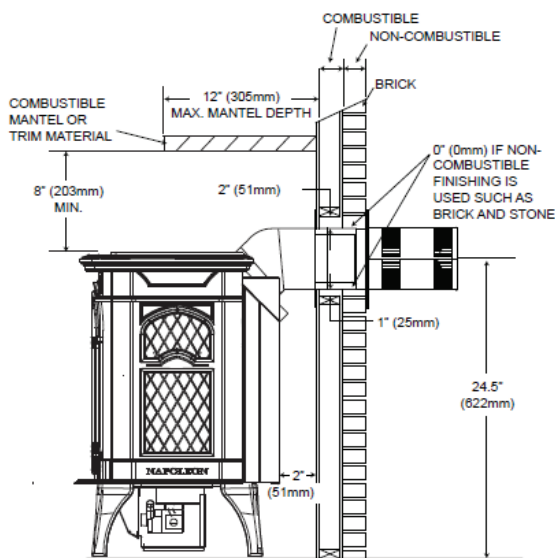
To ceiling from appliance top 48" (1219mm)
 Horizontal vent
 Sides and bottom 1" (25mm)
 Top 2" (51mm)
 Vertical vent
 All sides 1" (25mm)

*At a distance of 2" (51mm) from the wall, installation or service to the blower may not be practical. A minimum of 5" (127mm) will be required in order to install the blower.

If less than 5" (127mm) clearance is maintained between the back of the appliance and the back wall, it will be necessary to disconnect the venting and gas pipe to move the appliance out for installation or service of the blower.

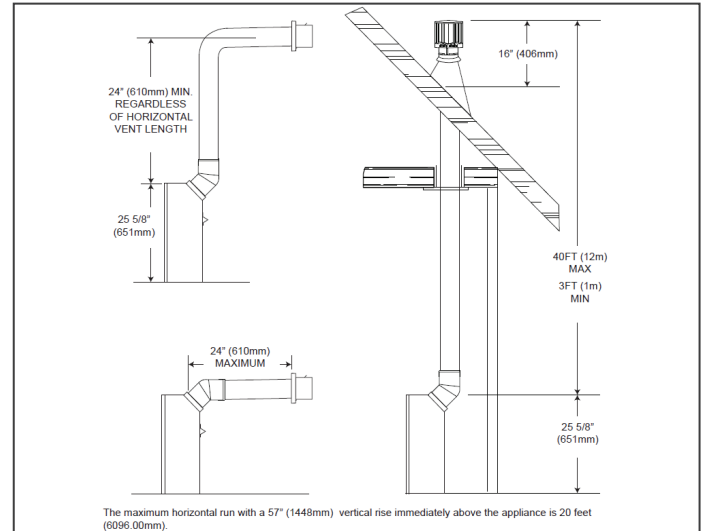
Minimum Mantel or Shelf Clearances

When the appliance is rear vented, a mantel or shelf may be installed above the GDS25 at a minimum distance of 8" (203mm).

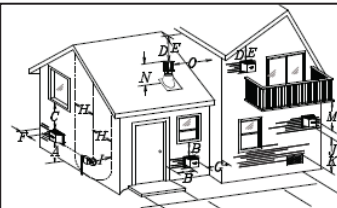


Product information provided is not complete and is subject to change without notice. Please consult the installation manual for the most up to date installation information.

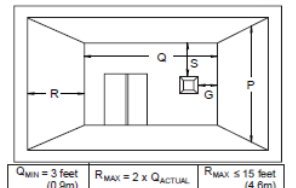
Minimum Vertical Vent Rise



Vent Terminal Clearances



COVERED BALCONY APPLICATIONS ††



	INSTALLATIONS		
	CANADA	U.S.A.	
A	12" (305mm)	12" (305mm)	Clearance above grade, veranda porch, deck or balcony.
B	12" (305mm) ^Δ	9" (229mm) ^Δ	Clearance to windows or doors that open.
C	12" (305mm) ^Δ	12" (305mm) [*]	Clearance to permanently closed windows.
D	18" (457mm) ^{**}	18" (457mm) ^{**}	Vertical clearance to ventilated soffits located above the terminal within a horizontal distance of 2' (0.6m) from the center line of the terminal.
E	12" (305mm) ^{**}	12" (305mm) ^{**}	Clearance to unventilated soffit.
F	0" (0mm)	0" (0mm)	Clearance to an outside corner wall.
G	0" (0mm) ^{***}	0" (0mm) ^{***}	Clearance to an inside non-combustible corner wall or protruding non-combustible obstructions (chimney, etc.).
	2" (51mm) ^{***}	2" (51mm) ^{***}	Clearance to an inside combustible corner wall or protruding combustible obstructions (vent chase, etc.).
H	3' (0.9m)	3' (0.9m) ^{****}	Clearance to each side of the center line extended above the meter / regulator assembly to a maximum vertical distance of 15' (4.6m).
I	3' (0.9m)	3' (0.9m) ^{****}	Clearance to a service regulator vent outlet.
J	12" (305mm)	9" (229mm)	Clearance to a non-mechanical air supply inlet to the building or a combustion air inlet to any other appliance.
K	6' (1.8m)	3' (0.9m) †	Clearance to a mechanical air supply inlet.
L	7' (2.1m) ‡	7' (2.1m) ****	Clearance above a paved sidewalk or paved driveway located on public property.
M	12" (305mm) ††	12" (305mm) ^{****}	Clearance under a veranda, porch or deck.
N	18" (406mm)	18" (406mm)	Clearance above the roof.
O	2' (0.6m) ^{††}	2' (0.6m) ††	Clearance from an adjacent wall including neighbouring buildings.
P	8' (2.4m)	8' (2.4m)	Roof must be non-combustible without openings.
Q	3' (0.9m)	3' (0.9m)	See chart for wider wall dimensions.
R	6' (1.8m)	6' (1.8m)	See chart for deeper wall dimensions. The terminal shall not be installed on any wall that has an opening between the terminal and the open side of the structure.
S	12" (305mm)	12" (305mm)	Clearance under a covered balcony

Δ The terminal shall not be located less than 6 feet under a window that opens on a horizontal plane in a structure with three walls and a roof.
 * Recommended to prevent condensation on windows and thermal breakage.
 ** It is recommended to use a heat shield and to maximize the distance to vinyl clad soffits.
 *** The pergola requires a minimum 18 inches clearance from an inside corner.
 **** This is a recommended distance. For additional requirements check local codes.
 † 3 feet above if within 10 feet horizontally.
 ‡ A vent shall not terminate where it may cause hazardous frost or ice accumulations on adjacent property surfaces.
 †† Permitted only if the veranda, porch, or deck is fully open on a minimum of two sides beneath the floor.
 ††† Recommended to prevent recirculation of exhaust products. For additional requirements check local codes.
 †††† Permitted only if the balcony is fully open on a minimum of one side.
 NOTE: Clearances are in accordance with local installation codes and the requirements of the gas supplier.