

This Owner's Manual is provided and hosted by [Appliance Factory Parts](#).



Saber R67SC0917 Owner's Manual

[Shop genuine replacement parts for Saber R67SC0917](#)



[Find Your Saber Grill Parts - Select From 18 Models](#)

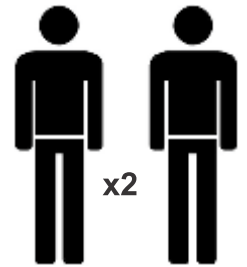
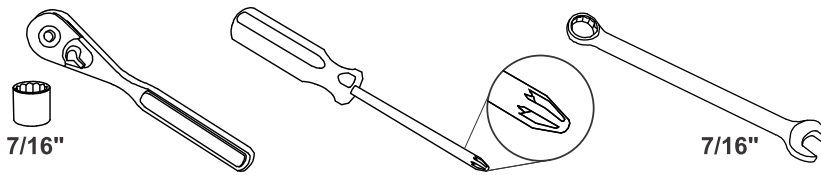
----- Manual continues below -----

SABER®

ASSEMBLY INSTRUCTIONS INSTRUCCIONES DE MONTAJE INSTRUCTIONS DE MONTAGE

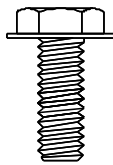
Estimated Assembly Time: 45 minutes
Tiempo estimado de ensamblaje: 45 minutos
Estimation de l'Assemblée Durée: 45 minutes

Tools suggested •
Herramientas sugerida •
Outils suggérée •



NOTE: Assemble your grill on a clean, level surface.
NOTA: Monte la parrilla sobre una superficie limpia y nivelada.
REMARQUE: Montez votre grill sur une surface propre et plane.

(A)

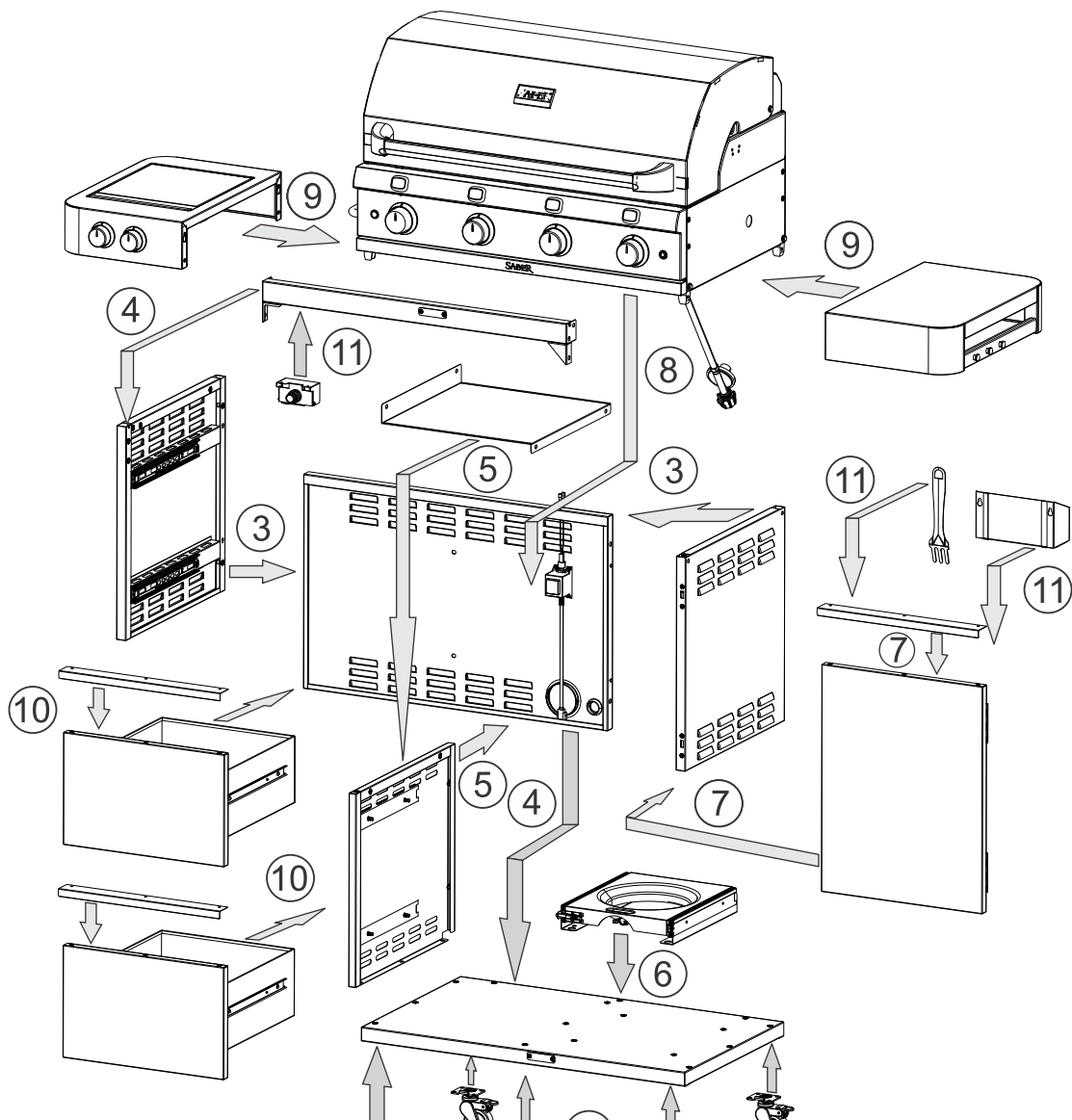


1/4-20x5/8" Hex Bolt - 61
1/4-20x5/8" Perno Hexagonal - 61
1/4-20x5/8" Boulon Hexagonal - 61

(B)



#8-32x3/8" Screw - 17
#8-32x3/8" Tornillo - 17
#8-32x3/8" Vis - 17



Side Burner
Quemador lateral
Tablette latérale

Front Door
Abrazador delantero
Attache avant - 1

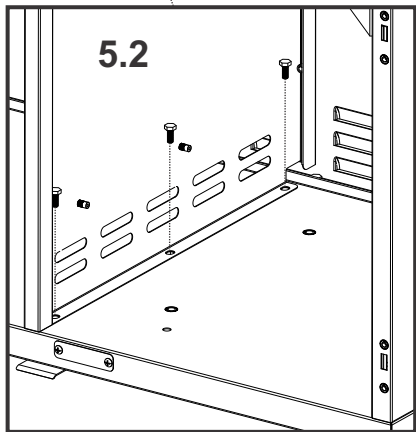
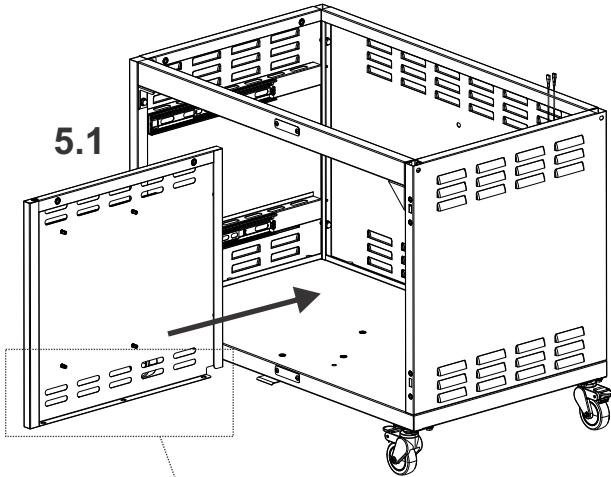
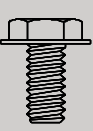
Condiment Tray
Cesta de especias
Panier d'épices

Drawer
Ensamblaje del cajón
Ensemble du tiroir

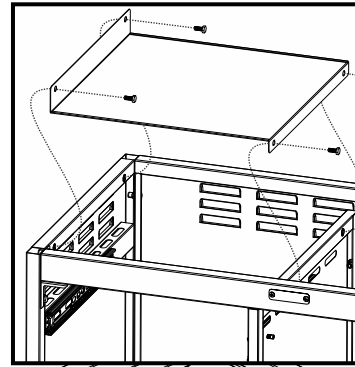
5

10 -

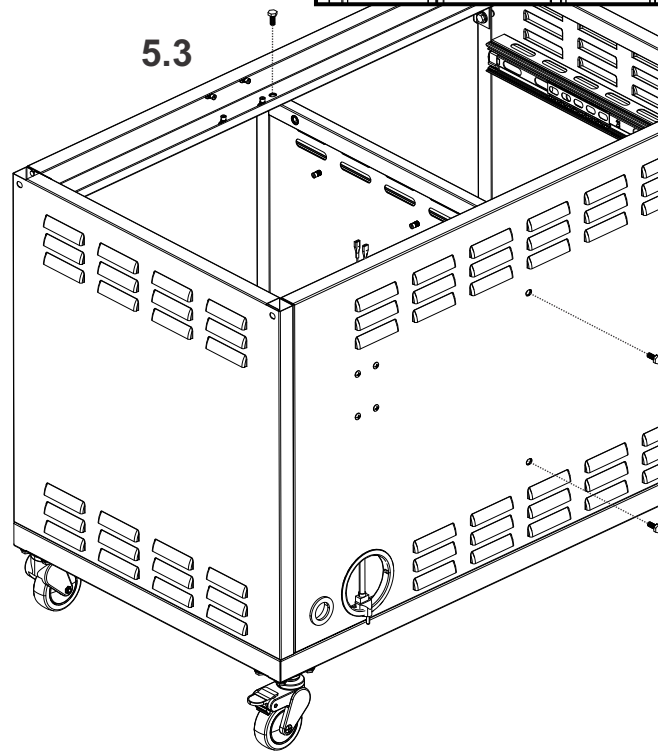
(A)



5.4



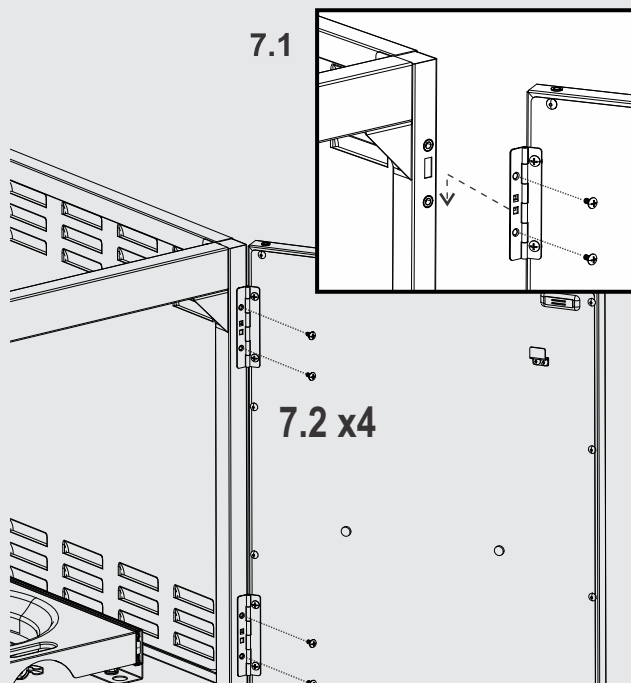
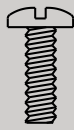
5.3



7

7 -

(B)



7.3

