

This Owner's Manual is provided and hosted by [Appliance Factory Parts](#).



Broil King 8867-14 Owner's Manual

[Shop genuine replacement parts for Broil King 8867-14](#)



[Find Your Broil King Grill Parts - Select From 1349 Models](#)

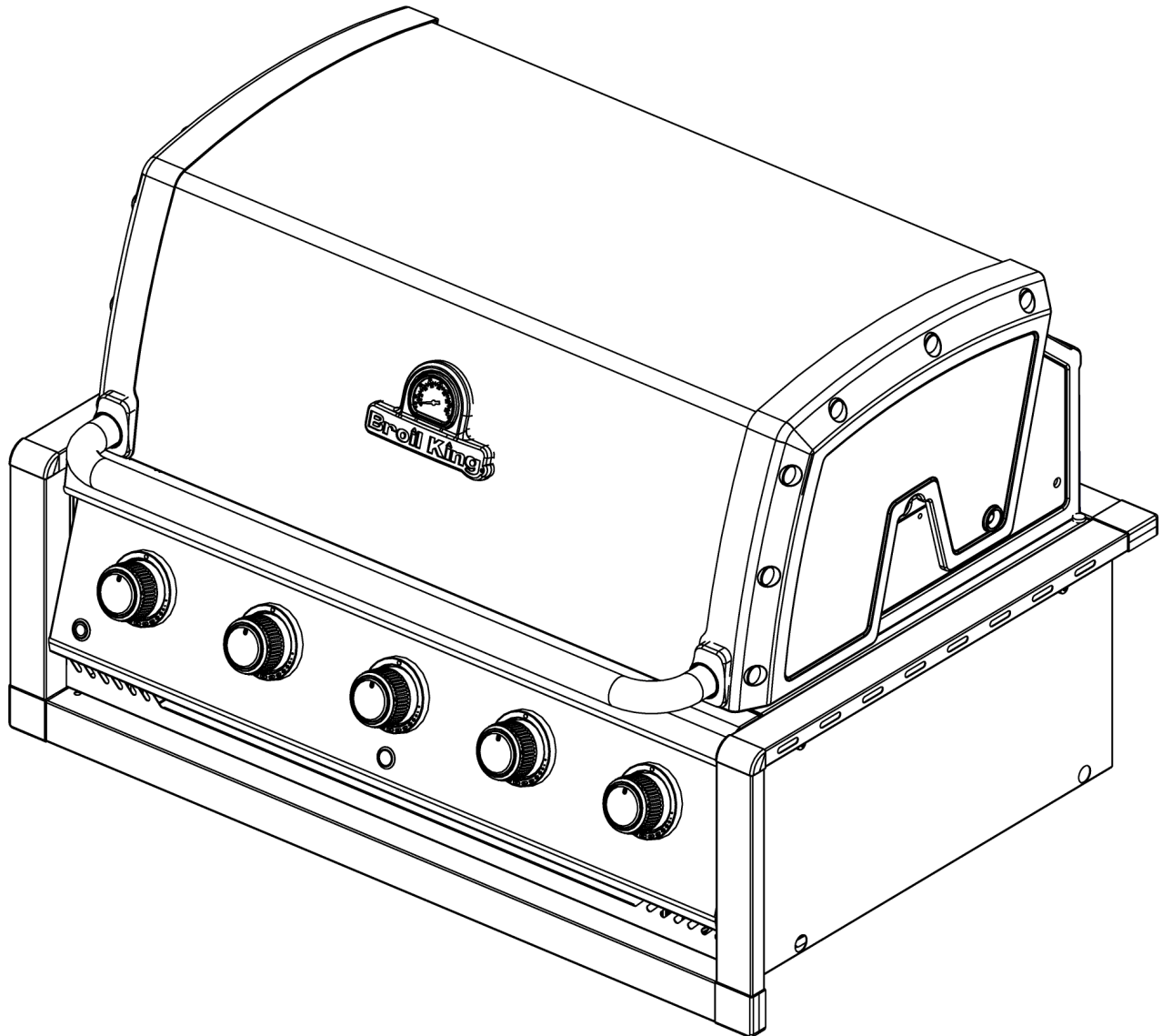
----- Manual continues below part list -----

Available Replacement Parts for Broil King 8867-14

18013	LARGE PROBE HEAT INDICATOR
10081-BK630	NAMEPLATE HI BROIL KING BLACK ZINC
S21124	SCREW PHCP #8 X 12 +
18433	OEM FLAV R WAVE - REGAL/IMPERIAL
10342-E13	ELECTRODE W/WIRE
24006-12A	HANDLE LID ASSY 625
22006-991	WARMING RACK PORC COATED CI
Y-99101	DRAWER SLIDE SET LHS & RHS 16 INCH
18633	BURNER - REGAL/IMPERIAL
54009-936	HANDLE BEZEL - CHROME
SP11-25	STOP BUMPER - SILICONE
22002-264	BEZEL SS FLAT LRG + 250/500/625/750 A
10342-43	IGNITOR ELECTRONIC TRIPLE IMPERIAL
10342-E22	ELECTRODE W/WIRE 22 INCH
22001-769	CONTROL KNOB LRG I CLEAR
22022-284	GRID SS 9MM DBL WIDE 500/625/750
25020-83	LED WIRE HARNESS 3 BULB
25070-93	IGNITOR BUTTON & WIRE IR SS +
25070-95	LIGHT SWITCH I/R SS W/LED RING
25030-73	HARNESS - SWITCH/BATTERY/LED R
25080-80	BATTERY PACK - 3 x AA
11153	COOKING GRID SS
70206-013	BI TRIM FRONT 625 SS
72056-007	BI GREASE TRAY 625 SS
86306-303	LID ASSEMBLY 625 SS
10111-15A	HOSE ASSEMBLY SS
10114-16	HOSE & REG ASSY 17 INCH LP +
27249-904	GREASE SHIELD MODULAR, 6.5 x 6

Broil King®

ASSEMBLY MANUAL & PARTS LIST - MANUEL DE MONTAGE & LISTE DE PIÈCES - MANUAL DE ARMADO Y LISTA DE PARTES



Broil King
REGAL S520 BUILT-IN
8867-14
8867-17

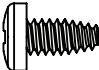
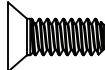
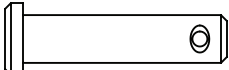
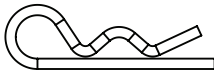
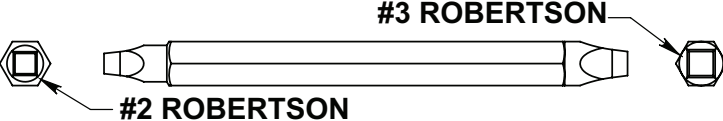
RETAIN FOR FUTURE REFERENCE - VEUILLEZ CONSERVER POUR REFERENCE ULTERIEURE - CONSERVAR PARA FUTURAS CONSULTAS

Onward
SINCE 1906
MANUFACTURING COMPANY
585 KUMPF DRIVE LIMITED
WATERLOO, ONTARIO, CANADA
N2V 1K3

info@omcbbq.com
1-800-265-2150

70084-E72 REV B 12/19

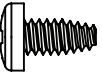
HARDWARE INCLUDED / MATERIAL INCLUS / EQUIPOS INCLUIDO

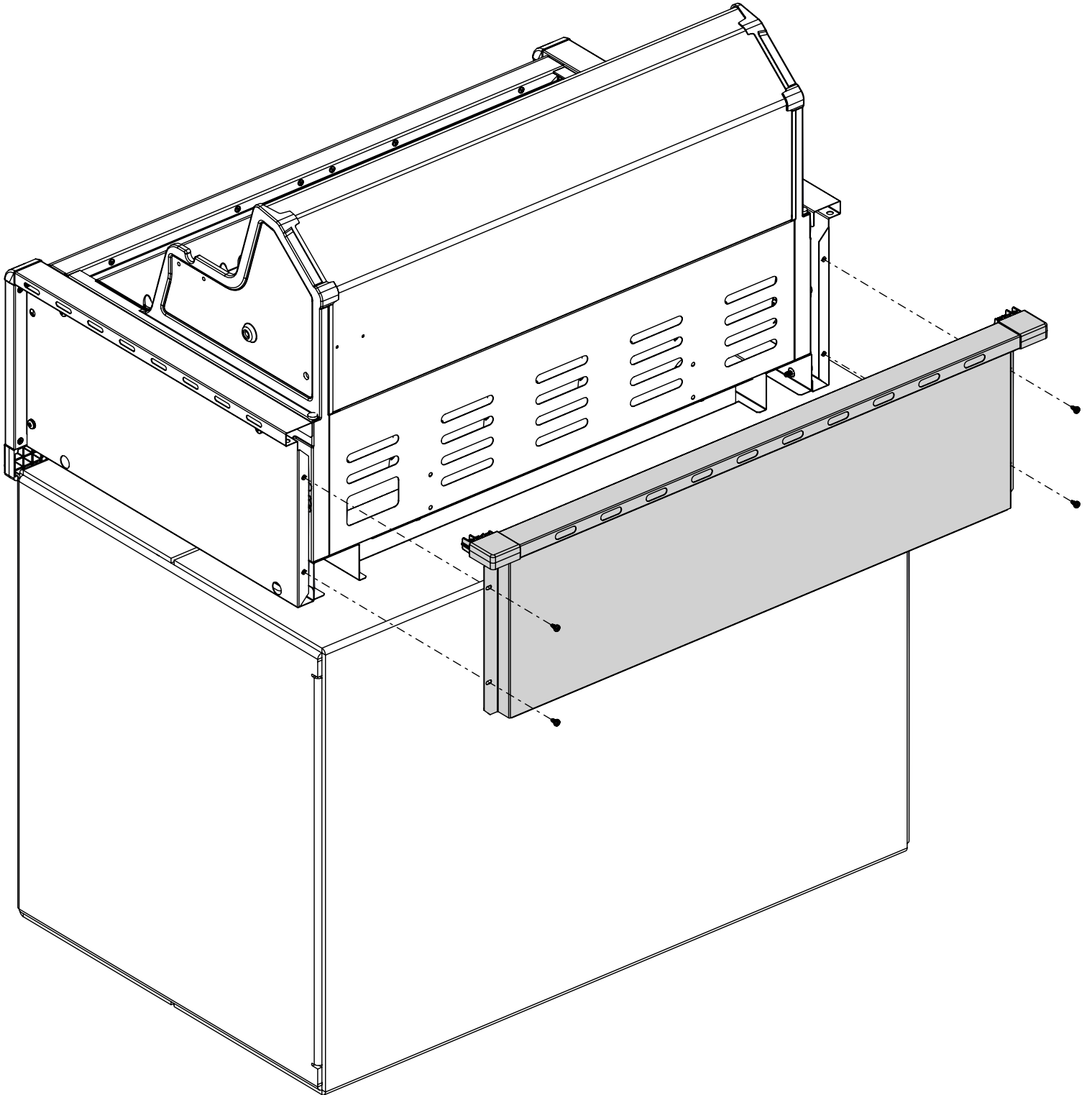
Y-29304		(4)	Y-29301		(2)
S21235		(2)	S21233		(2)
					

#3 ROBERTSON

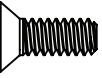
#2 ROBERTSON

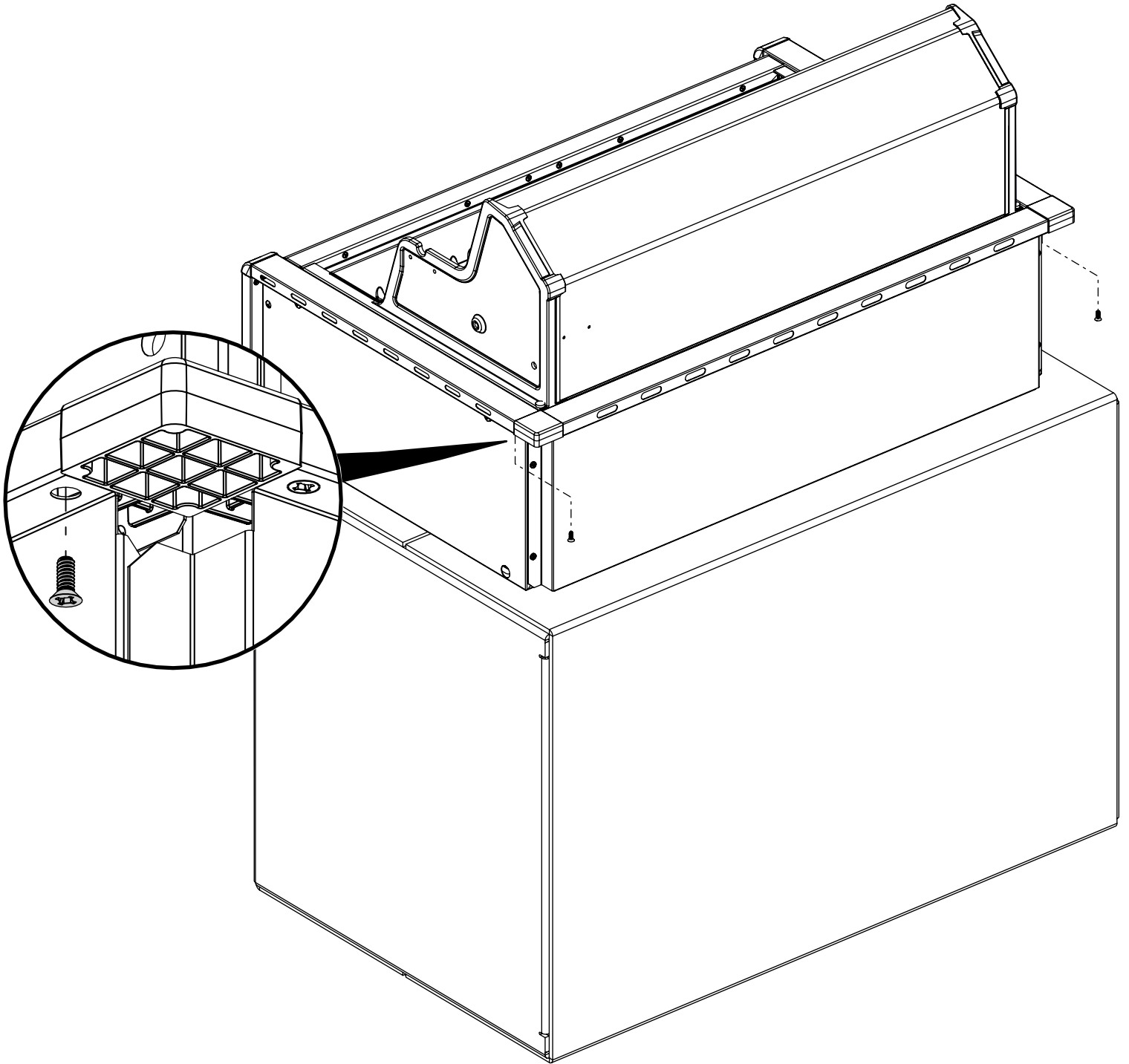
1

(4) 

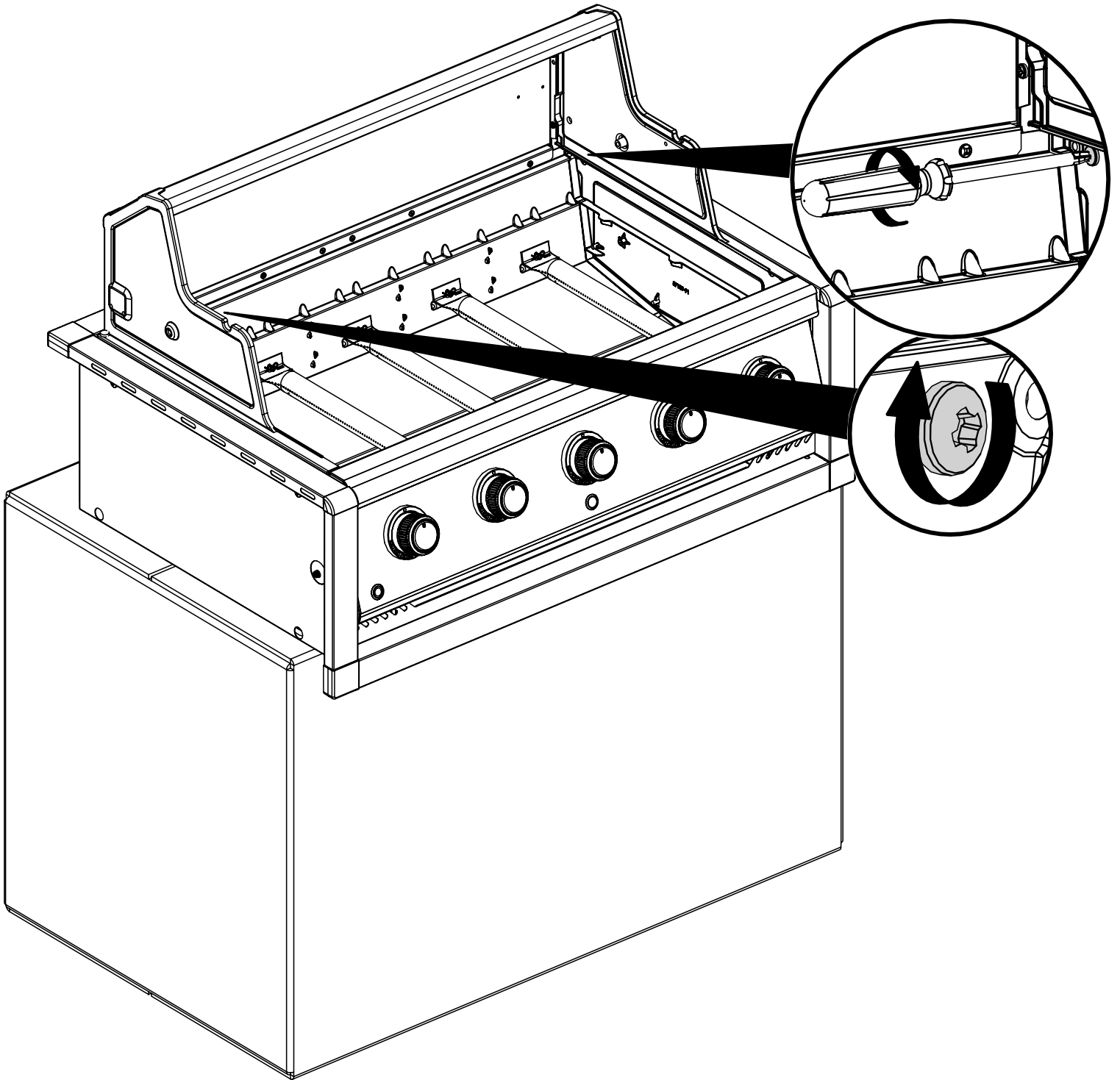


2

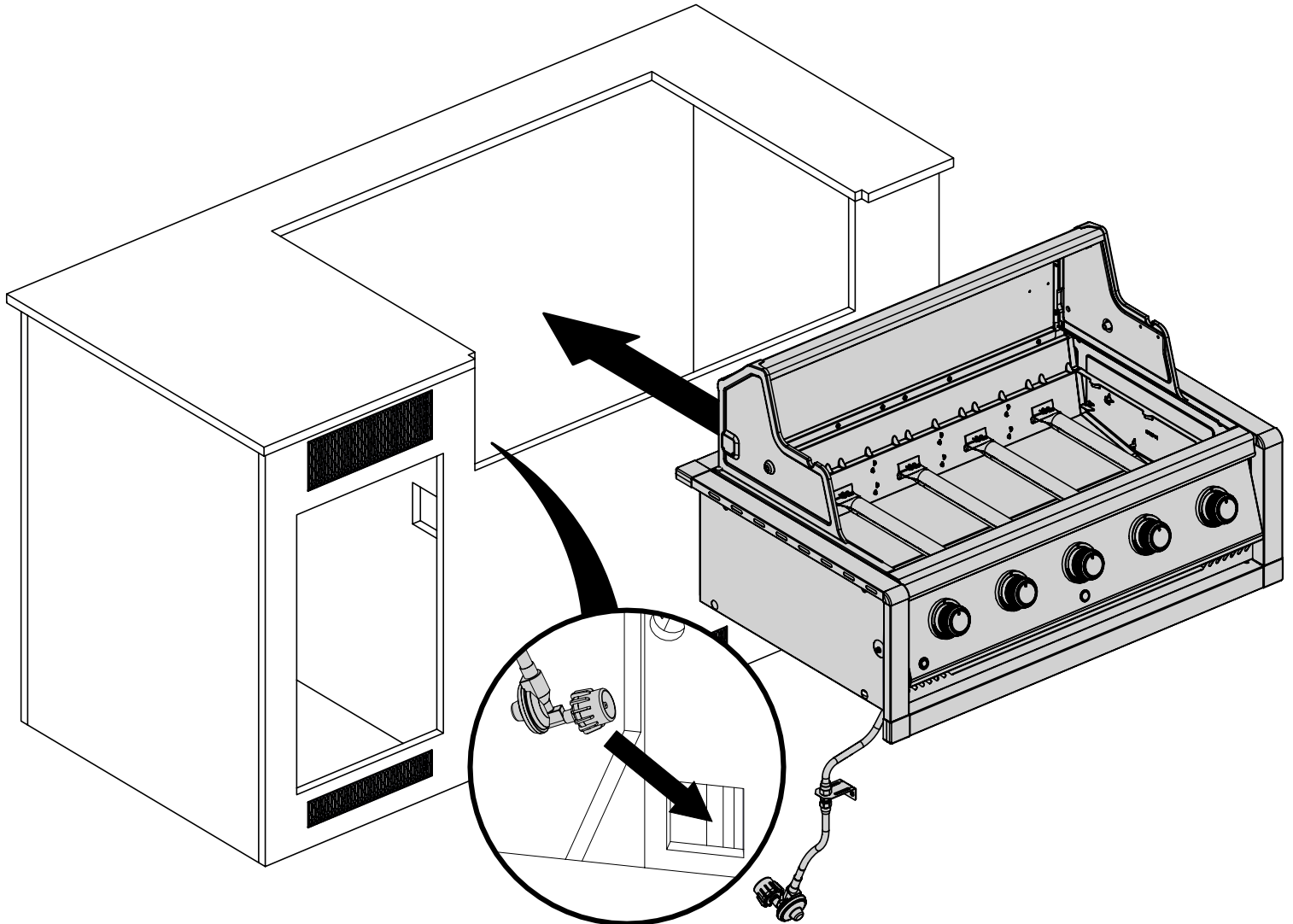
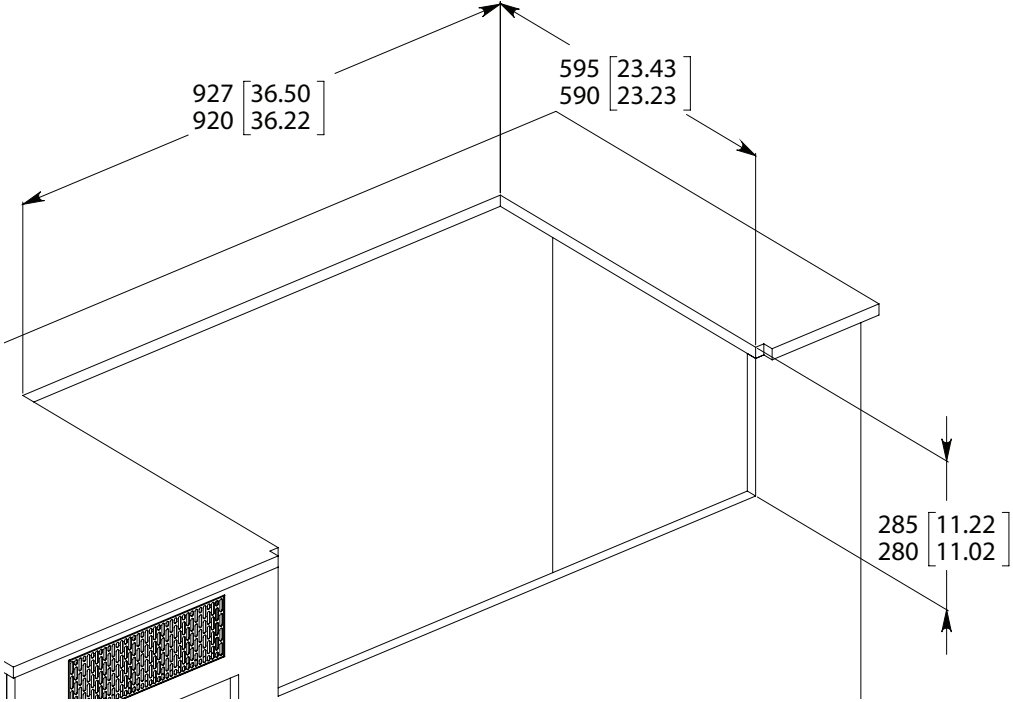
(2) 



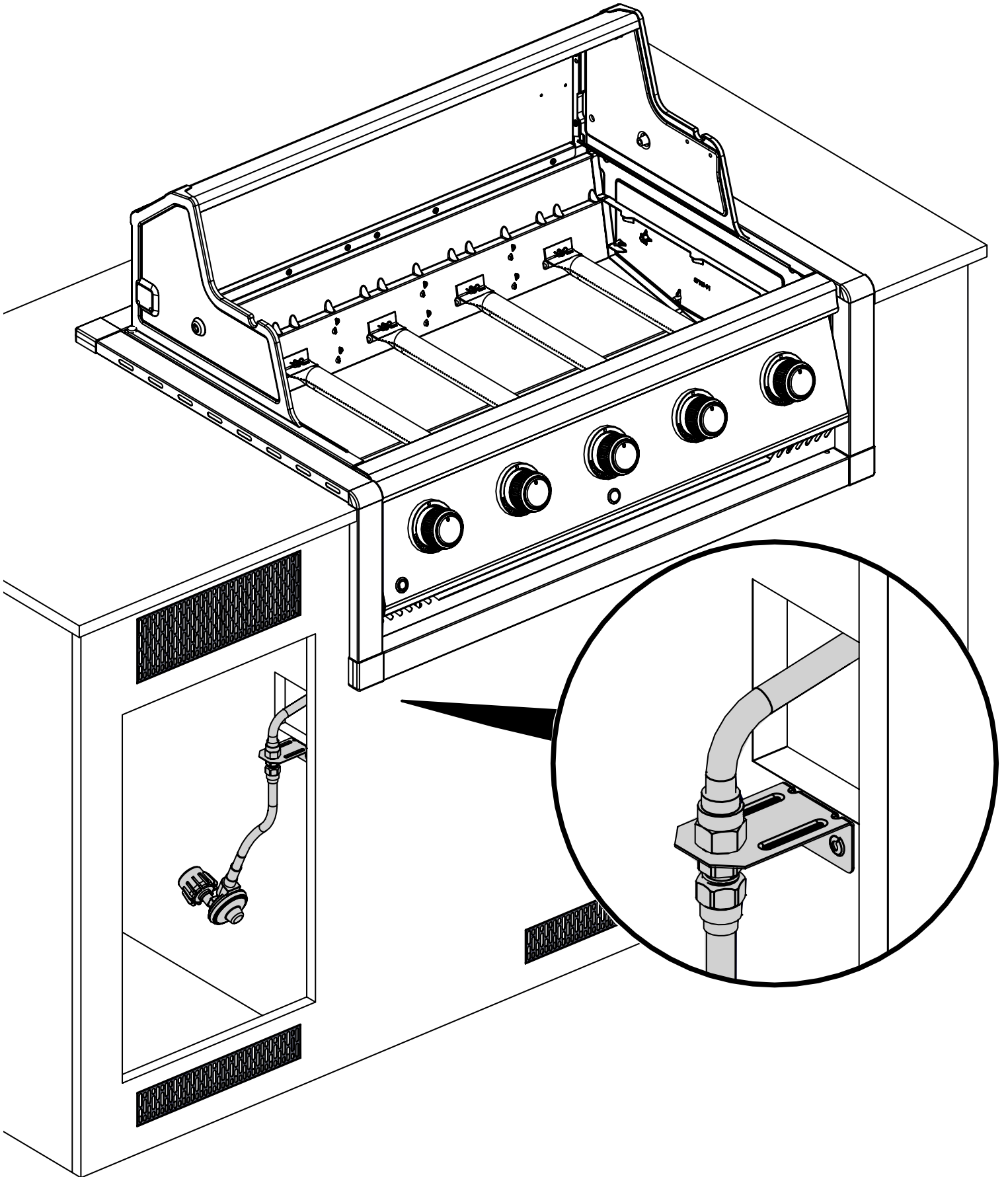
3



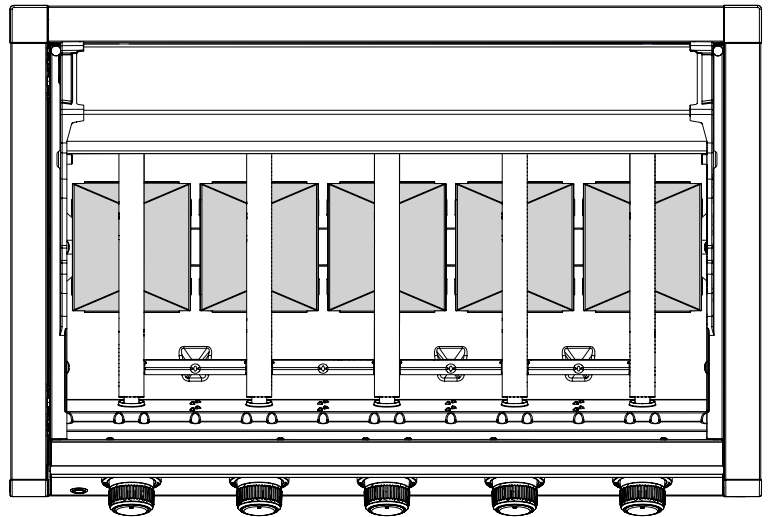
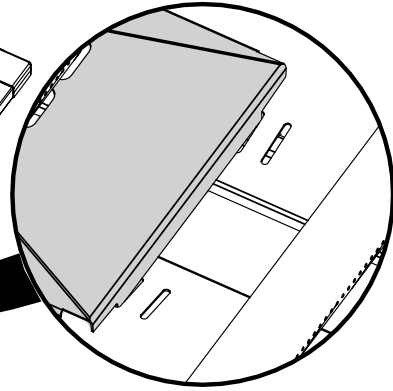
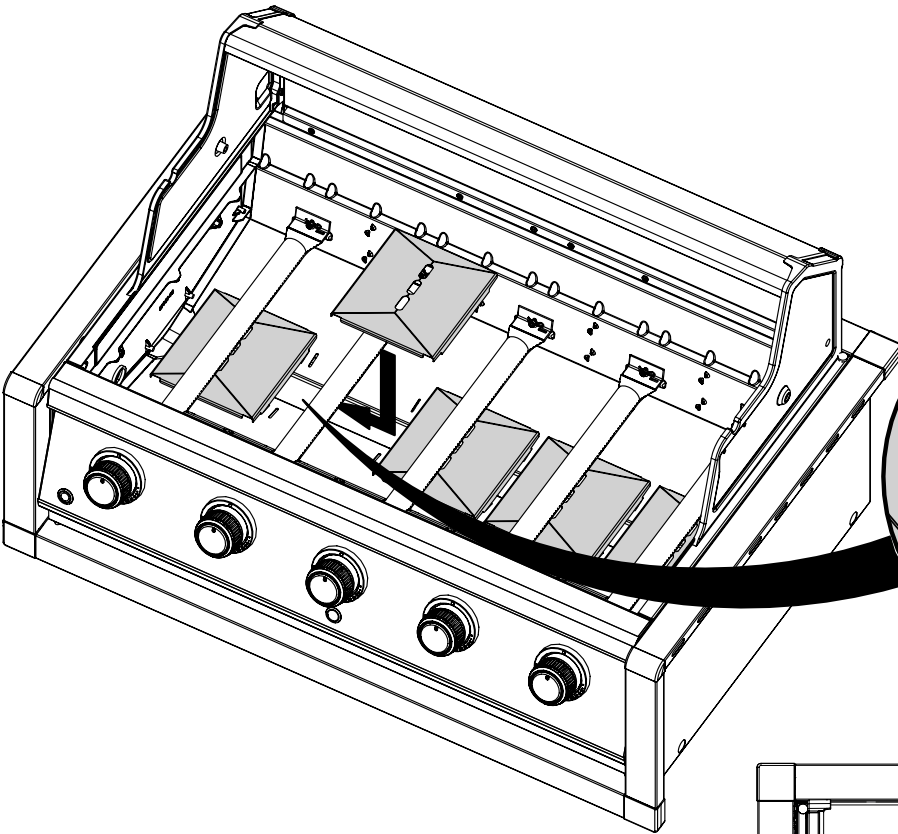
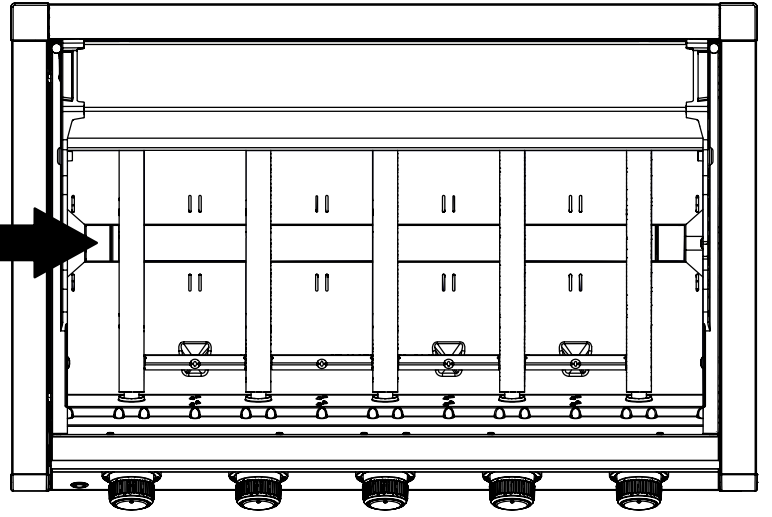
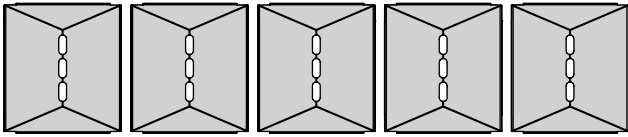
4



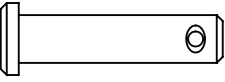
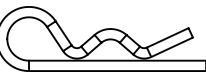
5

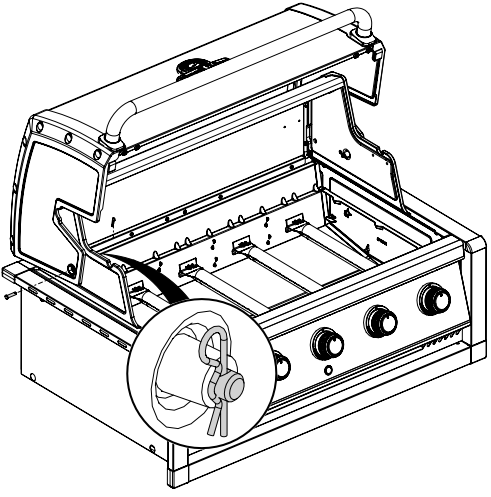
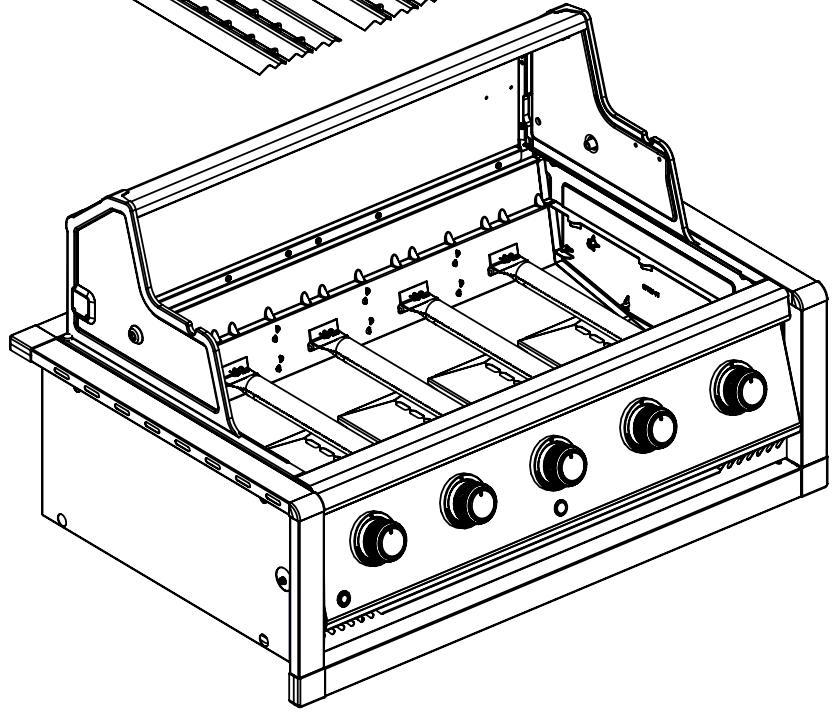
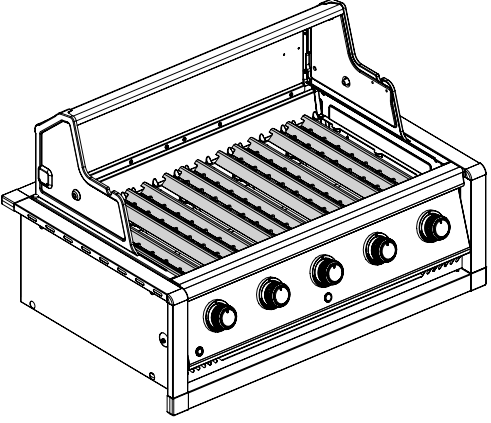
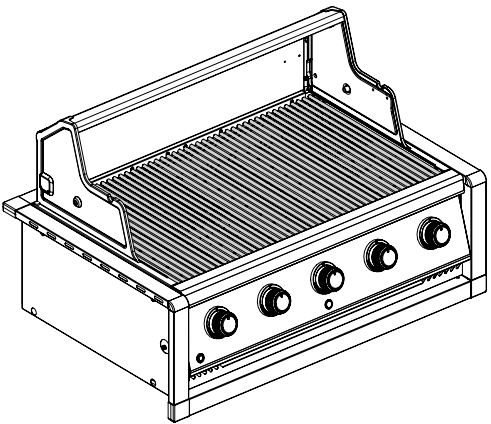
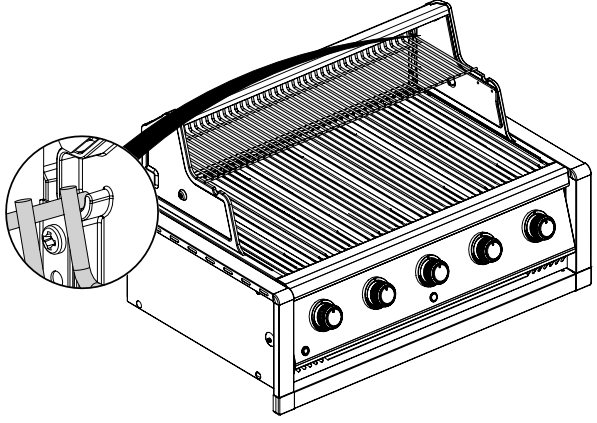
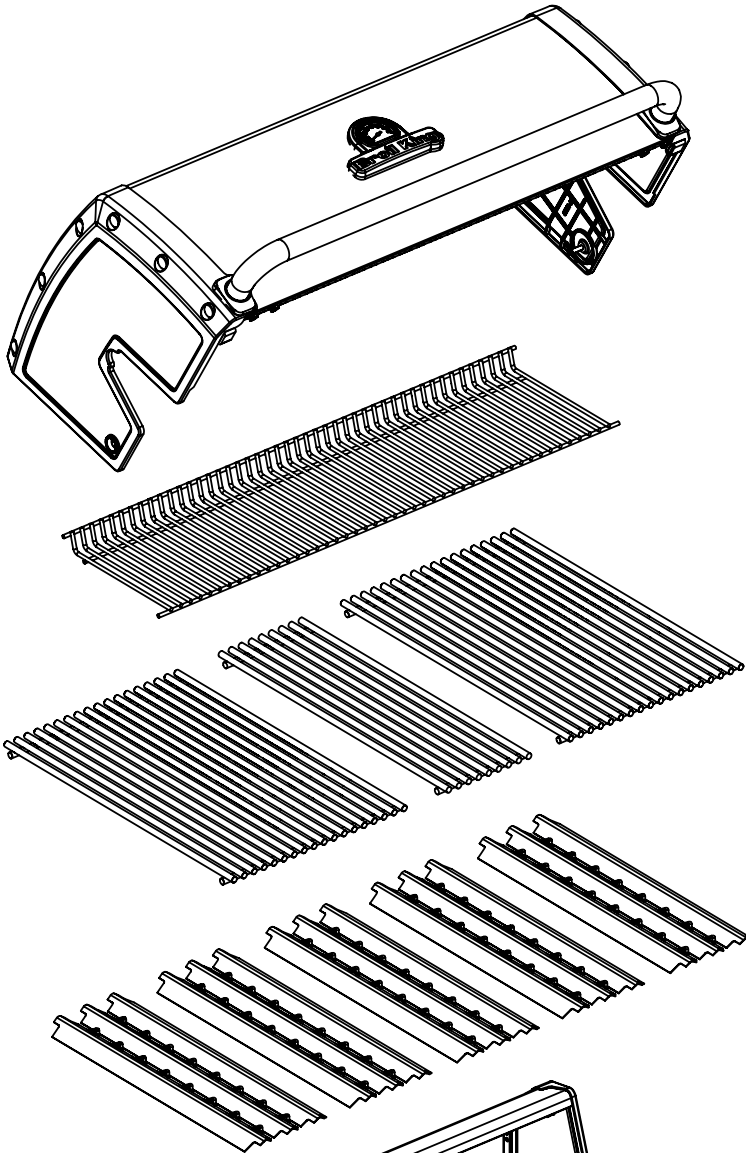


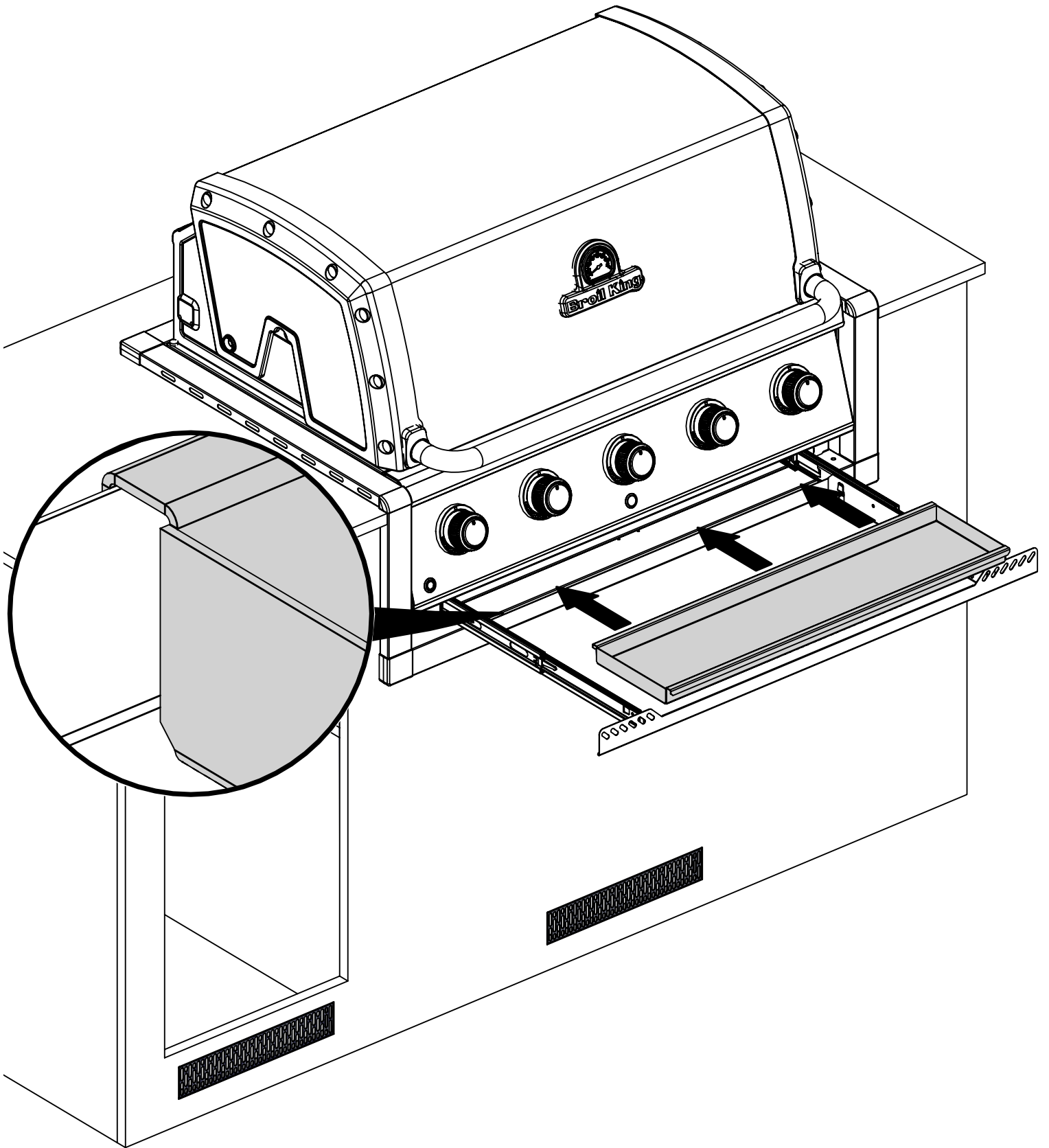
6



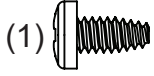
7

(2)  (2) 

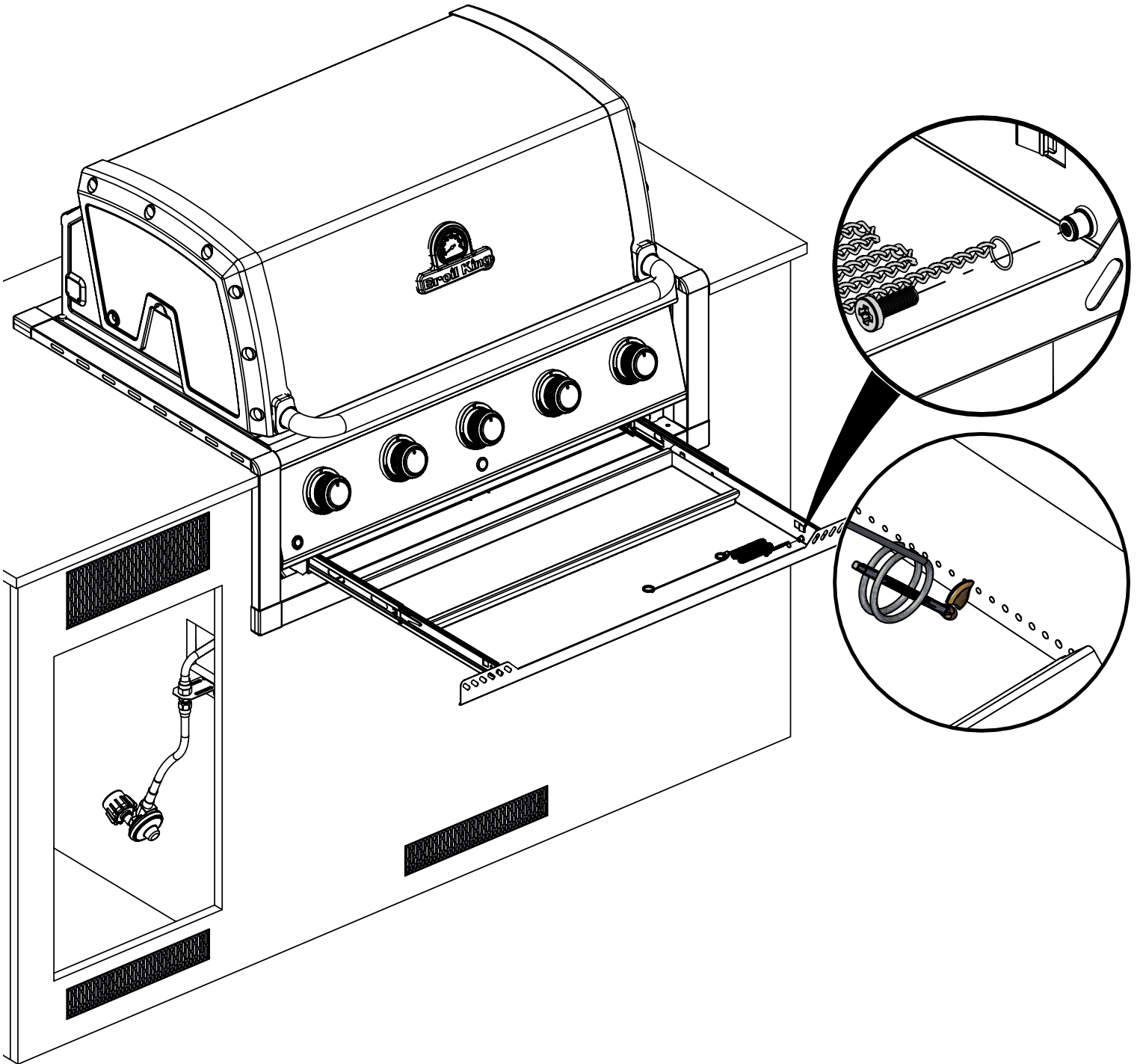


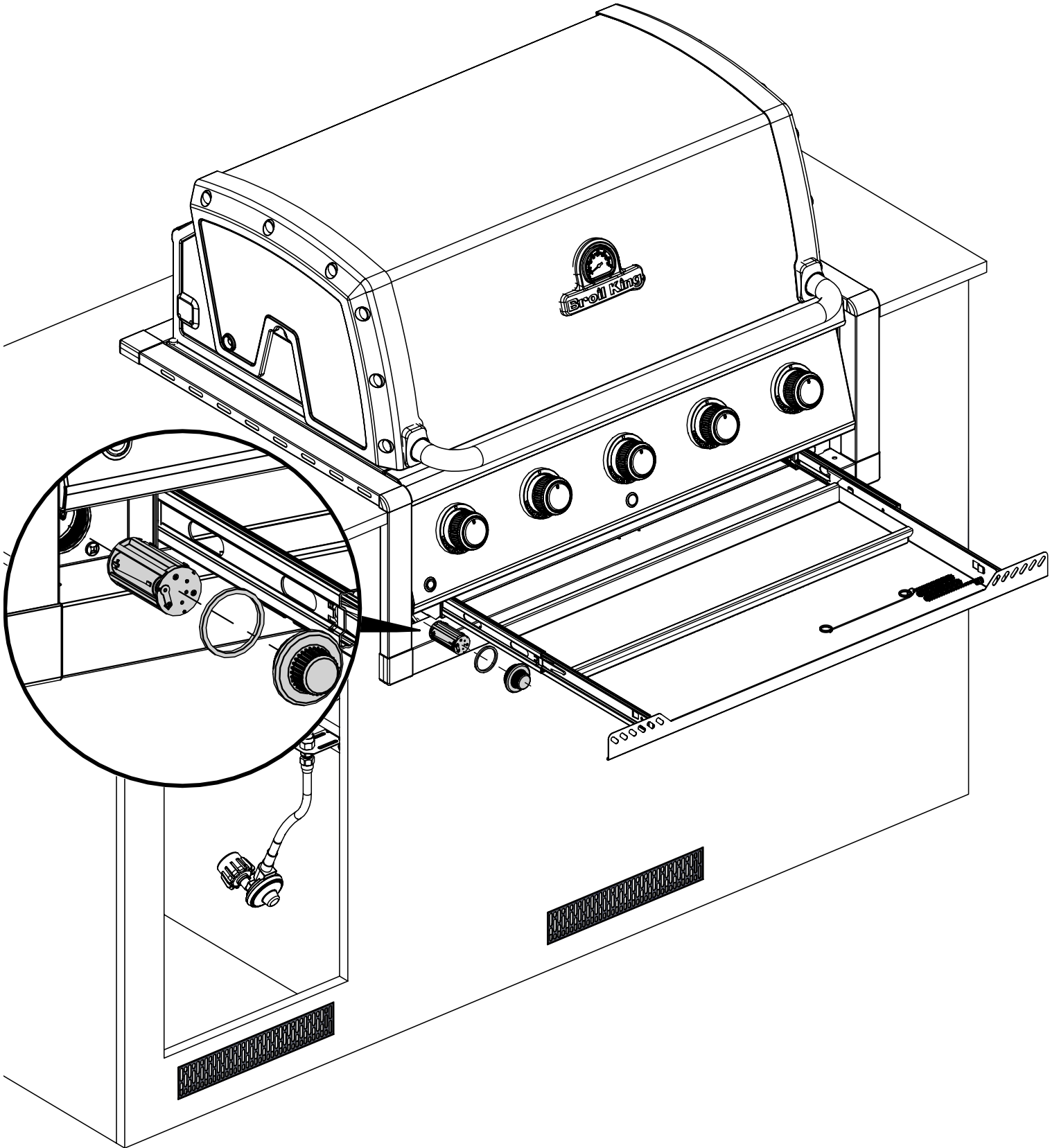


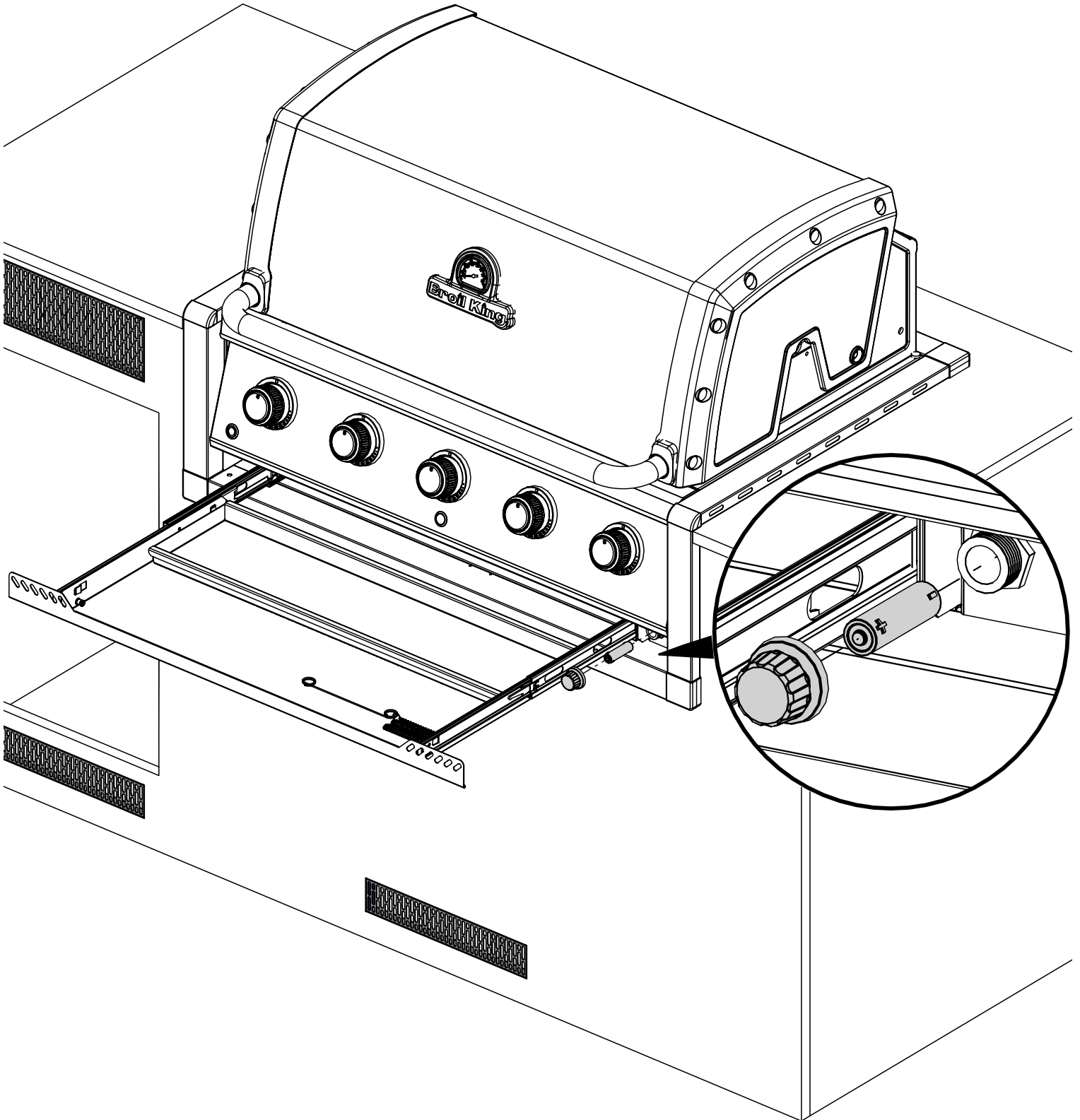
9

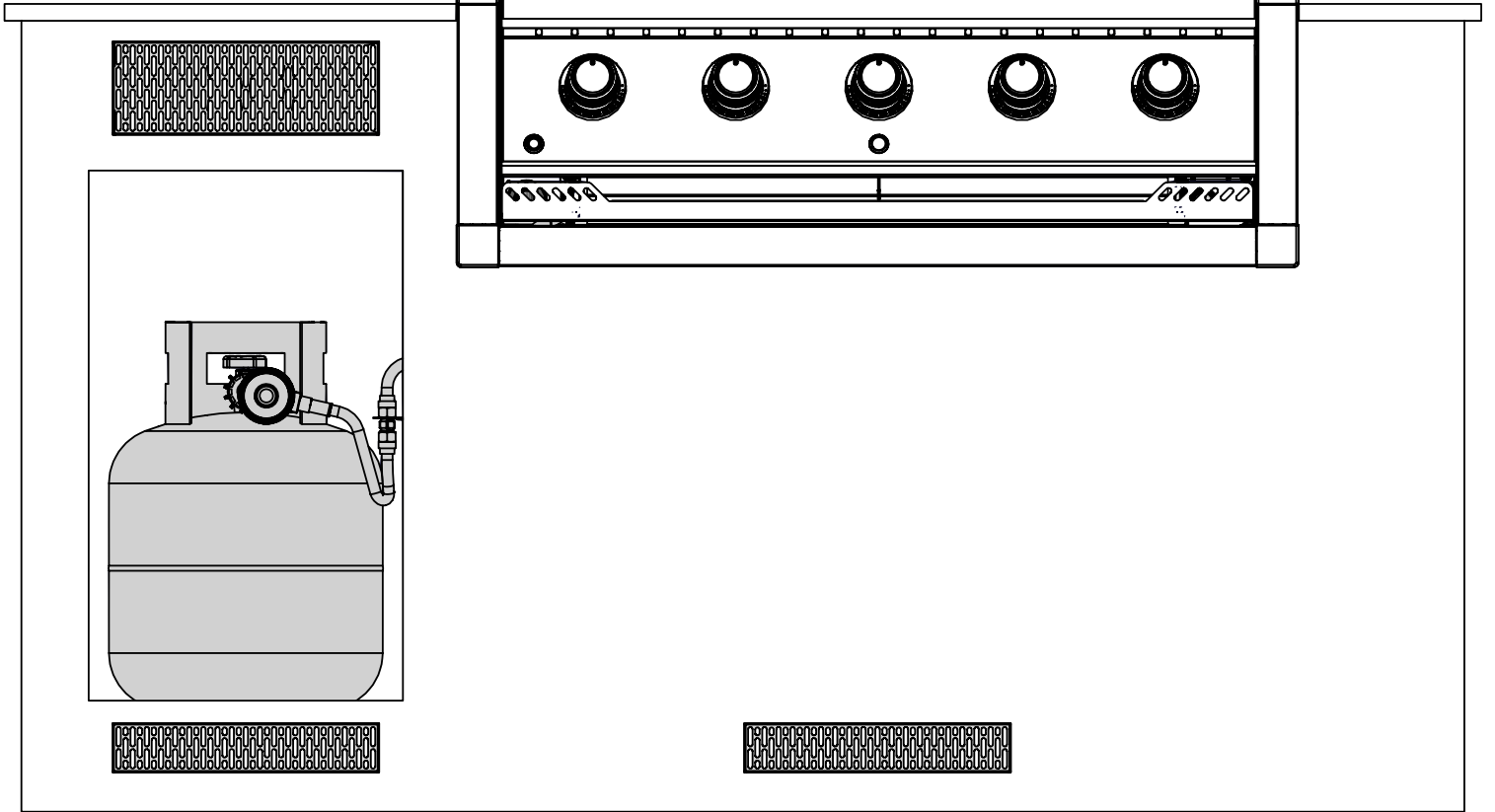
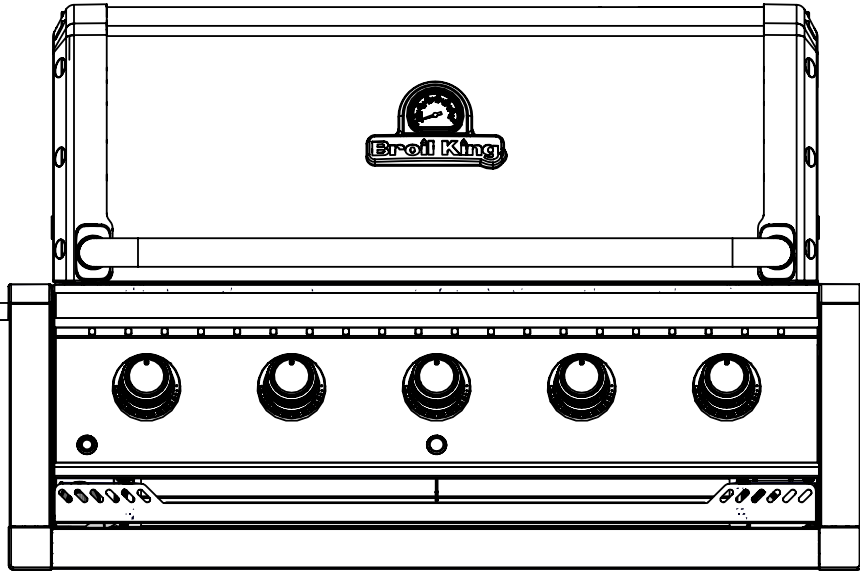


(1)









PARTS LIST

<u>KEY #</u>	<u>ITEM #</u>	<u>DESCRIPTION</u>	<u>DESCRIPTION</u>	<u>DESCRIPTION</u>	<u>8867-14</u>	<u>8867-17</u>
1	77006-003	FIRE BOX ASSEMBLY	FOUR	HORNO	1	1
2	86006-303	LID ASSEMBLY	LE COUVERCLE	TAPA	1	1
5	27249-904	GREASE SHIELD	PROTECTION CONTRE LA GRAISSE	PROTECTOR CONTRA GRASA	5	5
7	Y-11544	BURNER SCREW	VIS - BRÛLEUR	TORNILLO - QUEMADOR	5	5
8	S21242	BURNER CLIP	ATTACHE DE CHEVILLE	GANCHO PARA EL REMOLQUE	5	5
18	22022-284	COOKING GRID	GRILLE	REJILLA	2	2
18A	22005-284	COOKING GRID	GRILLE	REJILLA	1	1
20	22006-991	GRID - WARMING RACK	GRILLE	REJILLA	1	1
22	22026-904	COLLECTOR BOX	RECIPIENT	CAJA RECOLECTORA	1	1
25	22909-104LP	BURNER	BRÛLEUR	QUEMADOR	4	•
	22909-104NG	BURNER	BRÛLEUR	QUEMADOR	•	4
26	22001-769	CONTROL KNOB	BOUTON DE CONTROLE	PERILLA DE CONTROL	5	5
27	22002-264	CONTROL BEZEL	MONTURE DE CONTROLE	PANEL DE CONTROL	5	5
28	22006-813	CONTROL COVER	PANNEAU DE CONTROLE	CUBIERTA DE CONTROL	1	1
32	10111-15A	PIG TAIL HOSE ASSEMBLY	TUYAU	MANGUERA	2	2
35	79006-014	CONTROL ASSEMBLY	SOUPAPE	MECANISMO DE CONTROL	1	•
	79006-017	CONTROL ASSEMBLY	SOUPAPE	MECANISMO DE CONTROL	•	1
41	71039-903	BATTERY BRACKET	SUPPORT - BATTERIE	SOPORTE - BATERÍA	1	1
42	10111-K45	NG HOSE	TUYAU (GAZ NATUREL)	MANGUERA DE GAS NATURAL	•	1
	10114-16	HOSE AND REGULATOR	TUYAU ET REGULATEUR PL	MANGUERA Y REGULADOR	1	•
43	10342-E13	ELECTRODE	ELECTRODE	ELECTRODO	1	1
43A	10342-E22	ELECTRODE	ELECTRODE	ELECTRODO	1	1
43B	10342-E38	ELECTRODE	ELECTRODE	ELECTRODO	1	1
44	10342-43	ELECTRONIC IGNITOR	ALLUMAGE ÉLECTRONIQUE	ENCENDEDOR ELECTRÓNICO	1	1
44A	25070-925	IGNITOR WIRE	FIL ÉLECTRIQUE - ALLUMAGE	CABLE - ENCENDEDOR	1	1
44B	25070-93	IGNITOR BUTTON	BOUTON - ALLUMAGE	PULSADOR - ENCENDEDOR	1	1
45	72039-904	IGNITOR BRACKET	SUPPORT - ALLUMAGE	SOPORTE - ENCENDEDOR	1	1
46	72049-603	IGNITOR SHIELD	PROTECTION CONTRE LA ALLUMAGE	PROTECTOR CONTRA ENCENDEDOR	1	1
47	71209-033	TRIM FRONT SIDE	BORDURE	BORDE	2	2
48	71056-004	GREASE PAN	PLATEAU A GRAISSE	BANDEJA RECOLECTORA DE GRASA	1	1
49	71066-003RA	DRAWER	TIROIR	CAJÓN	1	1
51	22209-903	FLAV-R-WAVE ®	FLAV-R-WAVE ®	FLAV-R-WAVE®	5	5
56	24006-12A	HANDLE	POIGNÉE	MANGO	1	1
58	54009-936	HANDLE STANDOFF	POIGNÉE ENTRETOISE	ESPACIADOR DE MANIJA	2	2
59	10081-BK630	NAMEPLATE	PLAQUE D'IDENTIFICATION	PLACA CON NOMBRE	1	1
60	10571-6	HEAT INDICATOR	INDICATEUR DE CHALEUR	INDICADOR DE TEMPERATURA	1	1
65	25005-000	MATCH LIGHT	ALLUMETTES	CERILLA - VARILLA	1	1

PARTS LIST

<u>KEY #</u>	<u>ITEM #</u>	<u>DESCRIPTION</u>	<u>DESCRIPTION</u>	<u>DESCRIPTION</u>	<u>8867-14</u>	<u>8867-17</u>
74	Y-99101	DRAWER SLIDE	GLISSIÈRE DE TIROIR	SOPORTE - CAJÓN	2	2
80	71109-033R	TRIM SIDE - LH	BORDURE - GAUCHE	BORDE - IZQUIERDA	1	1
81	71109-043R	TRIM SIDE - RH	BORDURE - DROITE	BORDE - DERECHA	1	1
84	70206-013	TRIM FRONT	BORDURE - AVANT	BORDE - FRENTE	1	1
88	71306-023	TRIM REAR	BORDURE - ARRIÈRE	BORDE - TRASERO	1	1
90	71626-003	BASE	TABLETTE INFERIEURE	BASE	1	1
101	Y-12130	CORNER CAP - 90 DEGREE	BOUCHON	TAPA	4	4
102	Y-12131	CORNER CAP	BOUCHON	TAPA	2	2
141	Y-11559	SCREW - 1/4-20 X 3/4	VIS - 1/4-20 X 3/4	TORNILLO - 1/4-20 X 3/4	2	2
145	S21235	HINGE PIN	GOUILLE DE CHARNIÈRE	CLAVIJA DE BISAGRA	2	2
146	S21233	HITCH PIN CLIP	ATTACHE DE CHEVILLE	GANCHO PARA EL REMOLQUE	2	2
147	Y-11236	LID BUMPER	BUTOIR	TOPE	2	2
155	S21124	SCREW #8 X 1/2	VIS #8 X 1/2	TORNILLO #8 X 1/2	6	6
159	S21127S	SCREW - #8-32 X 3/8	VIS #8-32 X 3/8	TORNILLO #8-32 X 3/8	10	10
161	Y-29304	SCREW - #10-24 X 3/8	VIS #10-24 X 3/8	TORNILLO #10-24 X 3/8	14	14
167	Y-29301	SCREW - #10-24 X 1/2	VIS #10-24 X 1/2	TORNILLO #10-24 X 1/2	12	12
181	25030-73	LIGHT SWITCH WIRE	LE FIL - TRANSFORMATEUR	DE ALAMBRE	1	1
181A	25070-95	LIGHT SWITCH BUTTON	COMMUTATEUR LEGER	INTERRUPTOR DE LA LUZ	1	1
184	25080-80	BATTERY PACK	BATTERIE	BATERÍA	1	1
188	Y-12865	SCREW 1/4-20 X 1/2	VIS 1/4-20 X 1/2	TORNILLO 1/4-20 X 1/2	16	16
190	25020-83	WIRE - LED LIGHT	LE FIL	DE ALAMBRE	1	1
191	25020-82	WIRE - LED LIGHT	LE FIL	DE ALAMBRE	1	1
193	SP11-25	LID BUMPER	BUTOIR	TOPE	2	2

