

This Owner's Manual is provided and hosted by [Appliance Factory Parts](#).



# Napoleon S20I Owner's Manual

[Shop genuine replacement parts for Napoleon S20I](#)



[Find Your Napoleon Fireplace Parts - Select From 171 Models](#)

----- Manual continues below -----

This wood appliance needs periodic inspection and repair. It is against United States federal regulations to operate this wood appliance in a manner inconsistent with the operating instructions in this manual.



# INSTALLATION AND OPERATION MANUAL

## S20i

**INSTALLER:**

Leave this manual with the appliance.

**CONSUMER:**

Retain this manual for future reference.

**SAFETY INFORMATION**

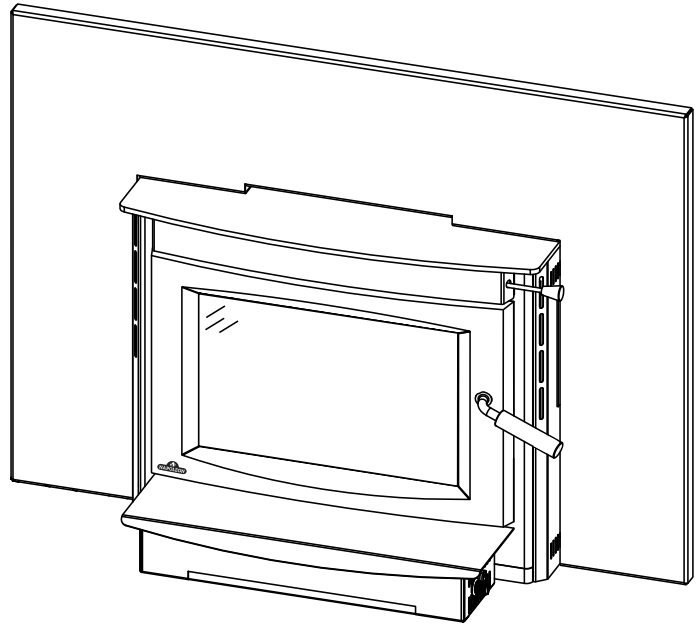
### ! WARNING

If the information in these instructions are not followed exactly, a fire or explosion may result causing property damage, personal injury or death. Please read the entire manual before you install and use your appliance. This heater has not been tested with an unvented gas log set. To reduce risk of fire or injury, do not install an unvented gas log set into the heater.

- This heater can be very hot when burning.
- Combustible materials such as firewood, wet clothing, etc. placed too close can catch fire.
- Children and pets must be kept from touching the heater when it is hot.
- The chimney must be sound and free of cracks. Before installing this appliance, contact the local building or fire authority and follow their guidelines.
- Always operate this appliance with the door(s) or screen (where applicable) tightly closed.
- Burn wood behind the log retainer directly on the firebricks.
- Do not use an elevated grate or otherwise raise the fire.
- This appliance is designed to burn natural wood only. Higher efficiencies and lower emissions generally result when burning air dried seasoned hardwoods, as compared to softwoods or to green or freshly cut hardwoods.
- Do not start a fire with chemicals or fluids such as gasoline, engine oil, etc.
- Do not burn trash or garbage, lawn clippings/waste, rubber, waste petroleum products, paints or paint thinners/solvents, plastic, materials containing asbestos, construction debris, railroad ties or treated wood, manure or animal remains, salt water driftwood or salted materials, unseasoned wood, coal, charcoal, coloured paper, cardboard, plywood or particleboard. Burning these materials may result in release of toxic fumes or render the appliance ineffective and cause smoke.
- Do not let the appliance become hot enough for any part to glow red.

**Wood Stoves ONLY**

- At least 14 squares inches (90.3 square centimeters) of outside air must be admitted to the room or directly to the appliance through a 4" (101.6mm) diameter pipe.
- KEEP THE STOVE TOP TEMPERATURE BELOW 700°F (371°C). Attempts to achieve heat output rates that exceed design specifications can result in steel distortion and damage.



**FOR INDOOR USE ONLY**

U.S. ENVIRONMENTAL PROTECTION AGENCY (E.P.A.) CERTIFIED TO COMPLY WITH 2020 PARTICULATE EMISSIONS STANDARDS USING CORD WOOD. THIS APPLIANCE HAS BEEN TESTED BY POLYTESTS AND LISTED BY CSA GROUP TO STANDARDS: ULC-S628, UL1482. ASTM E3053-17; ASTM E2515-11 METHODS ALT-125 AS REFERENCED INTO 40 CFR PART 60 SUBPART AAA. REFERENCE #: 161746



Wolf Steel Ltd., 24 Napoleon Rd., Barrie, ON, L4M 0G8 Canada / 103 Miller Drive, Crittenden, Kentucky, USA, 41030  
Phone 1 (866) 820-8686 • www.napoleon.com • hearth@napoleon.com


## **WARNING**

- This appliance is hot when operated and can cause severe burns if contacted.
- Any changes or alterations to this appliance or its controls can be dangerous and is prohibited.
- Do not operate appliance before reading and understanding operating instructions. Failure to operate appliance according to operating instructions could cause fire or injury.
- Before installing this appliance, contact the local building or fire authority and follow their guidelines.
- This appliance must be installed by a qualified installer. Never try to repair or replace any part of the appliance unless instructions are given in this manual. All other work should be done by a trained technician.
- Risk of burns. The appliance should be turned off and cooled before servicing.
- Do not operate without fully assembling all components. Do not install damaged, incomplete or substitute components.
- Do not let the appliance become hot enough for any part to glow red.
- Risk of cuts and abrasions. Wear protective gloves, footwear and safety glasses during installation. Sheet metal edges may be sharp.
- All wiring should be done by a qualified electrician and shall be in compliance with local codes. In the absence of local codes, use the current CSA22.1 Canadian Electric Code in Canada or the current National Electric Code ANSI/NFPA No. 70 in the United States.
- If equipped, burning your appliance with the ash dump door ajar creates a fire hazard that may result in discoloration to the door, internal damage to the appliance or a house and/or chimney fire.
- Do not connect this appliance to a chimney flue serving another appliance.
- Clothing or other flammable material should not be placed on or near the appliance. Objects placed in front of the appliance must be kept a minimum of 48" (121.9cm) away from the front face of the appliance.
- Due to high temperatures, the appliance should be located out of traffic and away from furniture and draperies.
- Even after the appliance is off, it will remain hot for an extended period of time.
- Any safety screen or guard removed for servicing must be replaced prior to operating the appliance.
- Under no circumstances should this appliance be modified.
- This appliance must not be connected to a chimney flue pipe servicing a separate solid fuel burning appliance.
- Do not operate the appliance with the glass door removed, cracked or broken. Replacement of the glass should be done by a licensed or qualified service person.
- Do not strike or slam shut the appliance glass door.
- Only doors / optional fronts certified with the appliance are to be installed on the appliance.
- If the appliance is not properly installed, a house fire may result. Do not expose the appliance to the elements (ex. rain, etc.) and keep the appliance dry at all times. Wet insulation will produce an odour when the appliance is used.
- The chimney must be sound and free of cracks. Clean your chimney a minimum of twice a year and as required.
- Children and adults should be alerted to the hazards of high surface temperature and should stay away to avoid burns or clothing ignition.
- Young children should be carefully supervised when they are in the same room as the appliance. Toddlers, young children and others may be susceptible to accidental contact burns. A physical barrier is recommended if there are at risk individuals in the house. To restrict access to an appliance or stove, install an adjustable safety gate to keep toddlers, young children and other at risk individuals out of the room and away from hot surfaces.
- Ensure you have incorporated adequate safety measures to protect infants/toddlers from touching hot surfaces.
- Check with your local hearth specialty dealer for safety screens and hearth guards to protect children from hot surfaces. These screens and guards must be fastened to the floor.
- Keep the packaging material out of reach of children and dispose of the material in a safe manner. As with all plastic bags, these are not toys and should be kept away from children and infants.
- Do not start a fire with chemicals or fluids such as gasoline, engine oil, etc.



 **WARNING**

- Your appliance requires periodic maintenance and cleaning. Failure to maintain your appliance may lead to smoke spillage in your home.
- Ashes must be disposed in a metal container with a tight lid and placed on a non-combustible surface well away from the home or structure until completely cool.
- Ensure clearances to combustibles are maintained when building a mantel or shelves above the appliance. Elevated temperatures on the wall or in the air above the appliance can cause melting, discolouration or damage to decorations, a TV or other electronic components.

 **WARNING:** This product can expose you to chemicals including lead and lead compounds, which are known to the State of California to cause cancer, and chemicals including carbon monoxide, which are known to the State of California to cause birth defects or other reproductive harm. For more information, go to [www.P65Warnings.ca.gov](http://www.P65Warnings.ca.gov).

**For wood appliances:**

- Lower emissions generally result when burning air dried seasoned hardwoods, as compared to softwoods or too green or freshly cut hardwoods. Burning wet unseasoned wood can cause excessive creosote accumulation. When this is ignited it can cause a chimney fire that may result in a serious house fire.
- This appliance is designed to burn natural wood only. Do not burn trash or garbage, lawn clippings / waste, rubber, waste petroleum products, paints or paint thinners / solvents, plastic, materials containing asbestos, construction debris, railroad ties or treated wood, manure or animal remains, salt water driftwood or salted materials, unseasoned wood, coal, charcoal, coloured paper, gift wrapping, cardboard, plywood or particleboard. Burning these materials may result in release of toxic fumes or render the appliance ineffective and cause smoke.
- Burn wood directly on the firebricks. Do not elevate grate or otherwise raise the fire.
- Do not store wood within appliance installation clearances or within the space required for re-fueling and ash removal.
- If equipped, the catalyst must be installed and in good working order. It is recommended that the catalyst is inspected at least three times per heating season.

# table of contents

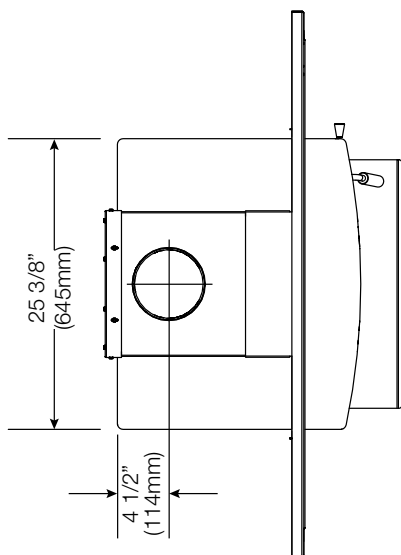
<b>1.0</b>	<b>general information</b>	<b>5</b>
1.1	dimensions	5
1.2	specifications	6
1.3	general instructions	7
1.4	general information	8
1.5	rating plate information	9
<b>2.0</b>	<b>installation planning</b>	<b>10</b>
2.1	minimum clearance to combustibles	10
<b>3.0</b>	<b>installation</b>	<b>11</b>
3.1	typical existing masonry	12
3.2	factory built fireplace	13
<b>4.0</b>	<b>finishing</b>	<b>14</b>
4.1	door removal	14
4.2	door adjustment	15
4.3	door handle installation	15
4.4	secondary air tubes	16
4.5	bricks and baffles installation	17
4.6	backerplate installation	18
4.7	logo placement	18
4.8	blower installation	19
<b>5.0</b>	<b>operation</b>	<b>21</b>
5.1	optimum burn method	22
5.2	optional blower operation	22
5.3	air control	23
5.4	fire extinguishers / smoke & carbon monoxide detectors	23
5.5	fuel loading	24
5.5.1	extended fire	25
5.6	smoking	25
<b>6.0</b>	<b>maintenance</b>	<b>26</b>
6.1	ash removal procedures	26
6.2	creosote formation and removal	26
6.3	runaway or chimney fire	27
6.4	chimney cleaning	27
6.5	door glass replacement	28
6.6	care of glass	29
6.7	door gasket replacement	29
6.8	blower service or replacement	30
6.9	wood	31
<b>7.0</b>	<b>replacement parts</b>	<b>32</b>
7.1	overview part 1	33
7.2	overview part 2	34
<b>8.0</b>	<b>accessories</b>	<b>35</b>
<b>9.0</b>	<b>troubleshooting</b>	<b>36</b>
<b>10.0</b>	<b>warranty</b>	<b>37</b>

## note:

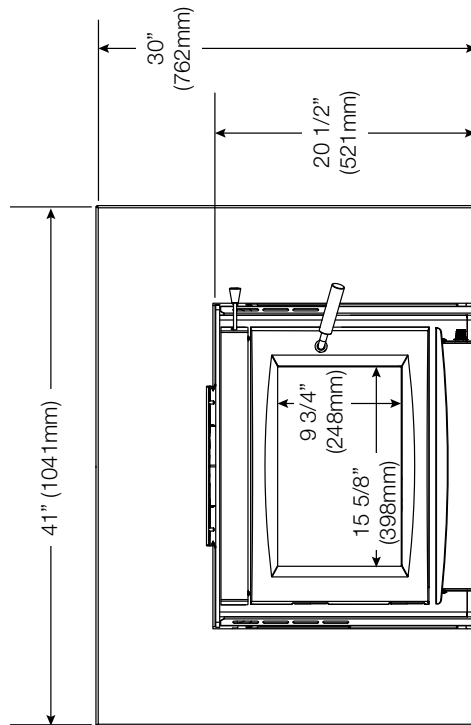
The information throughout this manual is believed to be correct at the time of printing. Wolf Steel Ltd. reserves the right to change or modify any information within this manual at any time without notice. Changes, other than editorial, are denoted by a vertical line in the margin.

1.1 dimensions

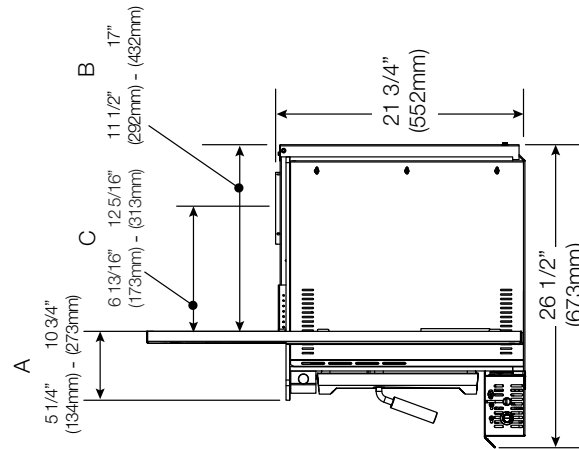
TOP VIEW



FRONT VIEW



RIGHT SIDE VIEW



**note:**

Due to an adjustable air channel, A, B and C are adjustable in 3/8" (9.5mm) increments (see "specifications" section for min max).

Specifications			
Emissions	2.25 grams / hour		
Efficiency	<b>Total</b>	<b>LHV</b>	<b>HHV</b>
	72.10%	77.54%	72.06%
Chamber (D.W.H)	14 5/8" x 20 7/8" x 11 5/8" (372mm x 530mm x 295mm)		
Viewing Area	153 in <sup>2</sup> (987cm <sup>2</sup> )		
Capacity	1.9 cubic feet (0.05 cubic meters)		
Approx. area heated**	800-1800 square feet (74-167m <sup>2</sup> )		
Maximum heat output***	65,000 BTU /Hr		
Heat output*	12,944 - 54,127 BTU /Hr		
Duration low fire**	8 hours		
Weight w/o bricks	225 lbs (102kg)		
Weight of bricks	60 lbs (27kg)		
Ideal wood length	16" (406mm)		
Minimum Stack Height ****	15 feet (4.5m)		
Efficiency Standard	B415.1-10		
	<b>A</b>	<b>B</b>	<b>C</b>
Minimum Depth	5 1/4" (134mm)	11 1/2" (292mm)	6 13/16" (173mm)
Maximum Depth	10 3/4" (273mm)	17" (432mm)	12 5/16" (313mm)

\* As tested using test method ALT-125.

\*\* Figures will vary considerably with individual conditions.

\*\*\* Wolf Steel Ltd. estimated realistic BTU/hr with hardwood logs and regular refueling.

\*\*\*\* Required in order to achieve proper draft.

### 1.3 general instructions

#### WARNING

- All wiring should be done by a qualified electrician and shall be in compliance with local codes. In the absence of local codes, use the current CSA 22.1 Canadian Electric Code in Canada or the current National Electric Code ANSI/NFPA No.70 in the United States.
  - This appliance has not been tested with any vented or unvented gas log set. To reduce risk of fire or prevent injury, do not install a vented or unvented gas log set into the appliance.
  - Burning your appliance with the ash dump door open or ajar creates a fire hazard that may result in discolouration to the gold plated door, internal damage to the appliance or a house chimney fire.
  - Do not connect this appliance to a chimney flue serving another appliance.
  - This appliance and its components are designed to be installed and operated as a system. Any alteration to or substitution for items in this system, unless allowed by these installation instructions will void the listing and may void the product warranty. It may also create a hazardous installation. Read through these instructions thoroughly before starting your installation and follow them carefully through your project.
- 
- Before beginning your installation, consult with your local building code agency or fire officials and insurance representative to ensure compliance.
  - Non-toxic smoke will be emitted during the paint curing process to help dissipate the smoke open a window near the appliance.
  - Remove any dust or debris off the top of the appliance before firing the appliance as the paint will become soft as the appliance heats up and will harden as the appliance cures. To cure the paint on your appliance, burn your appliance moderately hot during the first few fires.
  - To keep the gasket from sticking to the appliance as the paint is curing, periodically open the door every 5-10 minutes.
  - For the first two weeks, use generous amounts of fuel and burn the appliance with the damper wide open for an hour as the appliance goes through a process of eliminating moisture in the steel and firebricks. The initial heat output will be reduced while the moisture is being drawn from the appliance and it will be necessary to build several hot fires to remove this moisture.
  - **DURING THIS PROCESS DO NOT OVERFIRE THE APPLIANCE. REDUCE THE AMOUNT OF AIR COMING INTO THE APPLIANCE IF THE APPLIANCE OR CHIMNEY BECOMES RED.**

# general information

## 1.4 general information

Your appliance was specifically designed to meet the 2020 U.S.A. EPA particulate emission standards for cord wood and has been extensively tested in Canadian laboratories. This system is the most efficient, simple and trouble free we know and works as follows:

Your appliance is the exact duplication of the clean-burning technology found in all Napoleon EPA-certified freestanding stoves. External modifications have been made to allow its installation as a “functional insert” with a heat circulating blower system and a means of enclosing the solid fuel burning fireplace cavity for greater heating efficiency.

Your appliance must be installed only into a solid fuel burning fireplace that is at least 14” (356mm) deep 25 7/8” (657mm) wide and 22” (559mm) high with an approved lined chimney at least 15 feet high (4.6m) and a hearth of 18” (457mm). This minimum recess can only be achieved if the opening height is sufficient enough to allow the connector to fit under the noncombustible facing. The appliance and chimney must be constructed in accordance with all national and local building code standards.

The chimney vent system used on your wood burning appliance should be designed with the least amount of restriction possible to enable the exhaust products to easily flow through it. Chimney vent systems that are too short or too long can also have an adverse affect on the flow of exhaust through it. The wood burning appliance and chimney vent system also require a sufficient supply of combustion air not only to support the combustion in the combustion chamber but to replace the exhaust leaving it so it can flow freely up through the vent system and out into the atmosphere. It is the correct balance of combustion air and the chimney vent system that will ensure the appliance provides you with its optimum performance.

Secondary air from the rear intake opening travels up the back in the secondary air housing to the manifold located across the top and flows out laterally to oxidize the gases below the smoke exit.

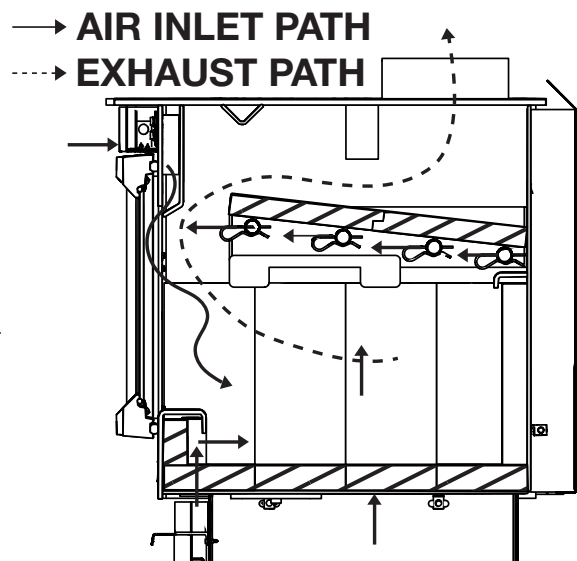
The lower combustion chamber is lined with high temperature firebricks on 2 sides, the back and across the bottom, with a layer of fibre baffles at the top to maintain a high temperature in the combustion chamber so that gases mixing with the preheated air from the secondary air manifold tube are easily ignited and burned. The appliance sides and back are shielded to direct the heat upwards and forwards into the room.

Be sure to provide sufficient combustion air. There are many other appliances in your home competing for air such as: a kitchen range hood, forced air heating devices or a bathroom exhaust blower.

Expansion / contraction noises during heating up and cooling down cycles are normal and to be expected.

After extended periods of non-operation such as following a vacation or a warm weather season, the appliance may emit a slight odour for a few hours. This is caused by dust particles on the firebox burning off. Open a window to sufficiently ventilate the room.

If you experience smoking problems, you may need to open a door, a window or otherwise provide some method of supplying combustion air to the appliance.



We suggest that our woodburning hearth products be installed and serviced by professionals who are certified in the U.S. by the National Fireplace Institute® (NFI) as NFI Woodburning Specialists or who are certified in Canada by Wood Energy Technical Training (WETT).




### 1.5 rating plate information

This illustration is for reference only. Refer to the rating plate on the appliance for accurate information

**note:**

The rating plate must remain with the appliance at all times. It must not be removed.



**LISTED SOLID FUEL BURNING FIREPLACE INSERT  
ENCASTRÉ À COMBUSTIBLE SOLIDE HOMOLOGUÉ**

**TESTED TO / TESTÉ SELON :**  
**UL1482 - 2011 / ULC S628 - 1993**

**MODEL / MODELE: S20i / T20i**

INSTALL AND USE ONLY IN ACCORDANCE WITH THE MANUFACTURER'S INSTRUCTIONS AND LOCAL BUILDING CODES.

**MINIMUM CEILING HEIGHT:** 7FT (2.13m)

**HEARTH EXTENSION / FLOOR PROTECTION:** MUST BE NON-COMBUSTIBLE AND EXTEND 22" IN FRONT OF THE INSERT AND 8" ON BOTH SIDES WITH A MINIMUM THICKNESS OF 1" (K=0.84)

**CHIMNEY TYPE:** MINIMUM 6" (152mm) DIAMETER APPROVED RESIDENTIAL TYPE. FOR MOBILE HOME, USE A CHIMNEY LISTED TO ULC S629 IN CANADA OR UL 103HT IN THE USA.

DO NOT OBSTRUCT SPACE UNDER HEATER. SPECIAL METHODS ARE REQUIRED WHEN PASSING A CHIMNEY THROUGH A WALL OR CEILING. SEE INSTRUCTIONS AND BUILDING CODES.

DO NOT CONNECT THIS APPLIANCE TO A CHIMNEY FLUE SERVING ANOTHER APPLIANCE.

**WARNING:** FOR USE WITH SOLID WOOD FUEL ONLY. DO NOT BURN ANY OTHER TYPE OF FUEL. DO NOT USE GRATE OR ELEVATE FIRE. BUILD WOOD FIRE DIRECTLY ON HEARTH.

**WARNING:** RISK OF SMOKE SPILLAGE. OPERATE ONLY WITH DOOR FULLY CLOSED.

REPLACE GLASS ONLY WITH CERAMIC GLASS.

DO NOT OVERFIRE. IF HEATER OR CHIMNEY CONNECTORS GLOW, YOU ARE OVERFIRING. INSPECT AND CLEAN CHIMNEY FREQUENTLY. UNDER CERTAIN CONDITIONS OF USE CREOSOTE BUILD-UP MAY OCCUR RAPIDLY.

**DANGER:** RISK OF ELECTRICAL SHOCK. DISCONNECT POWER BEFORE SERVICING APPLIANCE.

**INSERT:** INSTALL AND USE ONLY IN SOLID FUEL BURNING FIREPLACES. DO NOT REMOVE BRICKS OR MORTAR FROM SOLID FUEL BURNING FIREPLACE. INSTALL WITH A POSITIVE FLUE CONNECTOR AND FACEPLATE.

CONTACT LOCAL BUILDING FIRE OFFICIALS ABOUT RESTRICTIONS AND INSTALLATION INSPECTION IN YOUR AREA.

A MINIMUM CLEARANCE OF 18" (457mm) TO THE CHIMNEY CONNECTOR MAY BE REQUIRED BY THE AUTHORITY HAVING JURISDICTION.

POUR INSTALLATION ET UTILISATION CONFORMÉMENT AUX INSTRUCTIONS DU FABRICANT ET AUX CODES LOCAUX DU BÂTIMENT.

**HAUTEUR DE PLAFOND MINIMAL:** 7PI (2,13m).

**BASE DE PROTECTION/PROTECTION DE PLANCHER:** DOIT ÊTRE DE NATURE INCOMBUSTIBLE ET SE PROLONGER DE 22" À L'AVANT DE L'ENCASTRÉ ET 8" SUR LES CÔTÉS, ET AVOIR UNE ÉPAISSEUR MINIMALE DE 1" (K = 0,84).

**TYPE DE CHEMINÉE:** DIAMÈTRE MINIMAL DE 6" (152mm) APPROUVÉ POUR USAGE RÉSIDENIEL. POUR MAISON MOBILE, EMPLOYEZ UNE CHEMINÉE HOMOLOGUÉE ULC S629 AU CANADA OU UL 103HT AUX ÉTATS-UNIS.

NE RIEN ENTREPOSER SOUS L'APPAREIL. DES MÉTHODES SPÉCIALES SONT REQUISES LORSQU'UNE CHEMINÉE TRAVERSE UN MUR OU UN PLAFOND. VOIR LES INSTRUCTIONS ET LES CODES DU BÂTIMENT.

NE PAS RACCORDER À LA CHEMINÉE D'UN AUTRE APPAREIL.

**AVERTISSEMENT:** POUR USAGE AVEC LE BOIS SEULEMENT. NE BRÛLEZ PAS AUCUNE AUTRE TYPE DE COMBUSTIBLE. N'UTILISEZ PAS DE CHÈNET OU NE SURÉLEVEZ PAS LE BOIS. PRÉPAREZ LE FEU DIRECTEMENT SUR L'ÂTRÉ.

**AVERTISSEMENT:** RISQUE D'ÉCHAPPEMENT DE FUMÉE. TENIR LA PORTE FERMÉE LORSQUE LE POÊLE FONCTIONNE. REMPLACEZ LA VITRE PAR UNE VITRE EN CÉRAMIQUE SEULEMENT.

NE SURCHAUFFEZ PAS L'APPAREIL. SI L'APPAREIL OU LES RACCORDS ROUGEJOIENT, L'APPAREIL SURCHAUFFÉ. INSPECTEZ ET NETTOYEZ LA CHEMINÉE FRÉQUEMMENT. DANS CERTAINES CONDITIONS, DES DÉPÔTS DE CRÉOSOTE PEUVENT SE FORMER RAPIDEMENT.

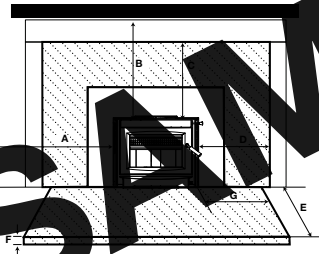
**DANGER:** RISQUE DE SECOURS ÉLECTRIQUE. DÉCONNECTEZ LE PUISSANCE AVANT DE PROCÉDER À L'ENTRETIEN.

**ENCASTRÉ:** INSTALLEZ ET UTILISEZ SEULEMENT DANS UN FOYER À COMBUSTIBLE SOLIDE. NE RETIREZ PAS DE MORTIER, NI BRIQUES DU FOYER À COMBUSTIBLE. INSTALLEZ AVEC UN CONNECTEUR POSITIF ET UNE PLAQUE DE RECouvreMENT.

RENSEIGNER-VOUS CHEZ LES AUTORITÉS LOCALES DU BÂTIMENT CONCERNANT LES RÈGLEMENTS EN VIGUEUR CONCERNANT LES INSPECTIONS D'INSTALLATION DANS VOTRE RÉGION.

UN DÉFAUT D'ENTRETIEN RÉGULIER PEUT CAUSER UN ACCIDENT. LA CHEMINÉE PEUT ÊTRE EXIGÉ PAR LES AUTORITÉS CONCERNANT JURISDICTION.

NE PAS SURCHAUFFER L'APPAREIL. SI L'APPAREIL OU LES RACCORDS ROUGEJOIENT, CONSULTER LE MANUEL D'INSTRUCTIONS. IL EST CONTRE LES RÈGLEMENTS FÉDÉRAUX POUR FAIRE FONCTIONNER CE POÊLE À BOIS D'UNE MANIÈRE INCOMPATIBLE AVEC LES INSTRUCTIONS DE FONCTIONNEMENT DANS LE MANUEL DU PROPRIÉTAIRE.




**CLEARANCE TO COMBUSTIBLE CONSTRUCTION / DÉGAGEMENTS AUX MATÉRIAUX COMBUSTIBLES:**  
(MEASURED TO APPLIANCE / À PARTIR DE L'APPAREIL)

APPLIANCE / APPAREIL	ADJACENT SIDE WALL (TO SIDE) / MUR LATÉRAL ADJACENT (AU CÔTÉ) <b>A</b>	MANTLE (TO TOP) / MANTAUX (JUSQU'AU DESSUS) <b>B</b>	TOP FACING (TO TOP) / HAUT DE LA FAÇADE (JUSQU'AU DESSUS) <b>C</b>	SIDE FACING (TO SIDE) / CÔTE DE LA FAÇADE (AU CÔTÉ) <b>D</b>	MINIMUM HEARTH EXTENSION / BASE DE LA PROTECTION MINIMALE <b>E</b>	MINIMUM HEARTH THICKNESS / ÉPAISSEUR MINIMALE DE LA BASE DE PROTECTION <b>F</b>	MINIMUM HEARTH SIDE EXTENSION / BASE DE PROTECTION LATÉRALE MINIMALE <b>G</b>
S20i / T20i	16"	30"	22"	10"	22"	1"	8"

**MANUFACTURE DATE: / DATE DE FABRICATION:**

YEAR/ANNÉE:  2019  2020  2021  2022  2023  2024

MONTH/MOIS:  1  2  3  4  5  6  7  8  9  10  11  12



**WOLF STEEL LTD.**  
24 NAPOLEON ROAD,  
BARRIE, ON, L4M 0G8 CANADA

**WOLF STEEL USA**  
103 MILLER DRIVE  
CRITTENDEN, KY, 401030 USA

**NAC GUANGZHOU P.R.C.**  
NO.69 HEFENG ROAD,  
GUANGZHOU, CHINA

**CAUTION: HOT WHILE IN OPERATION. DO NOT TOUCH. KEEP CHILDREN, CLOTHING AND FURNITURE AWAY. CONTACT MAY CAUSE SKIN BURNS.**

**ATTENTION: QUAND L'APPAREIL FONCTIONNE, LA SURFACE DEVIENT CHAUDE. NE PAS TOUCHER. TENIR LES ENFANTS, LES VÊTEMENTS ET LES MEUBLES À L'ÉCART. LE CONTACT PEUT CAUSER DES BRÛLURES À LA PEAU.**

**U.S. ENVIRONMENTAL PROTECTION AGENCY** Certified to comply with 2020 particulate emission standards using cordwood. Certifié conforme à la norme d'émission de particules de 2020 en utilisant bois de corde. 40 CFR Part 60, Subpart AAA 2.25 Grams Per Hour / 2020 Cordwood / 2.25 Grammes par heure / Bois de Corde 2020. Overall Efficiency/Efficacité Total: 72.1% || LHV: 77.54% || HHV: 72.06%

**S20i / T20i**

W385-4534 / B

## 2.0 installation planning

Clean all ashes out of the inside of the existing fireplace opening. Make sure that the chimney and fireplace are free of cracks, loose mortar, creosote deposits, blockage or other signs of deterioration. If necessary, have any repair work done by a qualified professional before installing the insert.

Do **NOT** remove bricks or mortar from the fireplace. In case of an outside air inlet or ash dump, fill with fiberglass insulation. Adhere to minimum clearances as illustrated.

Combustible material must not protrude more than 1" (25mm) to the side of the insert or between the mantel and the top of the insert.

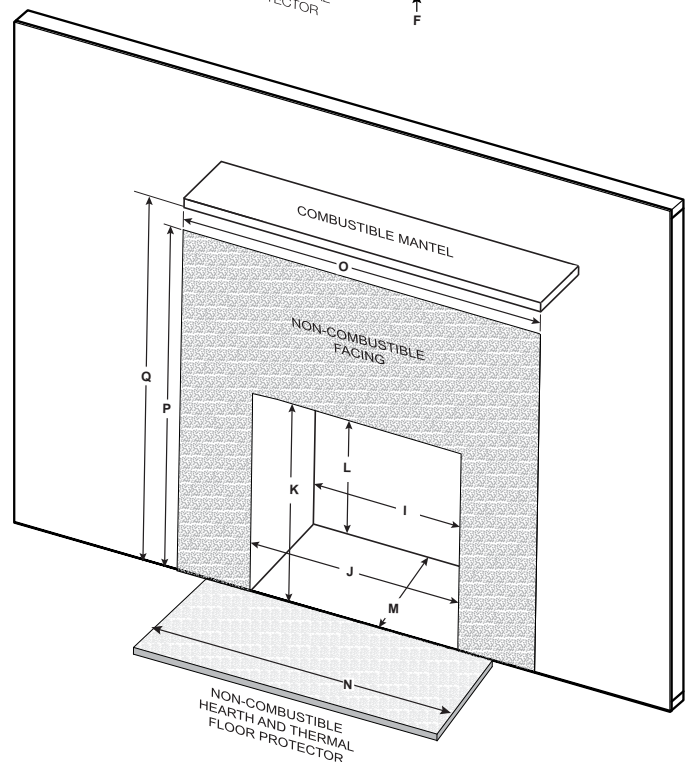
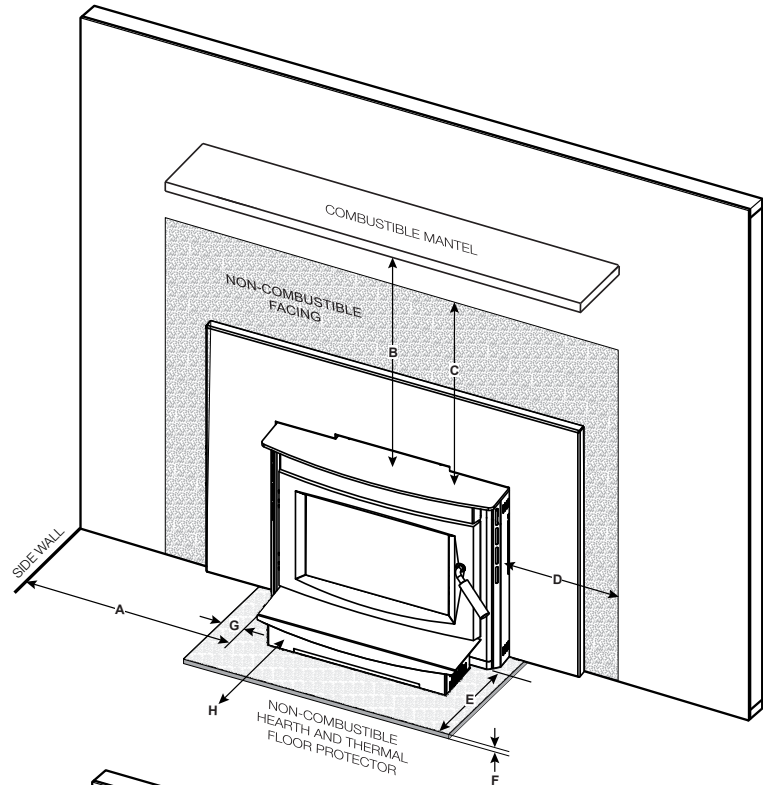
### 2.1 minimum clearance to combustibles

MINIMUM CLEARANCES		
<b>A</b>	Sidewall	16" (406mm)
<b>B</b>	Mantel	30" (762mm)
<b>C</b>	Top facing	22" (559mm)
<b>D</b>	Side facing	10" (254mm)
<b>E</b>	Hearth (front)	22" (559mm)
<b>F</b>	Minimum hearth thickness	1" (25mm)
<b>G</b>	Hearth (side)	8" (203mm)
<b>H</b>	In front of insert	48" (1219mm)
MINIMUM EXISTING FIREPLACE DIMENSIONS		
<b>I</b>	Width (rear)	25 7/8" (657mm)
<b>J</b>	Width (front)	
<b>K</b>	Height (front)	22" (559mm)
<b>L</b>	Height (rear)	
<b>M</b>	Depth	14" (356mm)
<b>N</b>	Hearth width	41 3/8" (1051mm)
<b>O</b>	Facing width	45 3/8" (1153mm)
<b>P</b>	Facing height	42 5/8" (1083mm)
<b>Q</b>	Mantel	50 5/8" (1286mm)

#### HEARTH EXTENSION / FLOOR PROTECTION:

Must be non-combustible and extend 22" (559mm) in front of the insert and 8" (203mm) on both sides with a minimum thickness of 1" (25mm) and a thermal conductivity factor (K) 0.84.

Clearances can be reduced with shielding acceptable to local authorities. Reduced installation must comply with NFPA 211 or CAN/CSA-B365.



**! WARNING**

- Wear gloves, protective footwear and safety glasses for protection.
- Carefully follow the instructions for assembly of the pipe and other parts needed to install the appliance. Failure to do so may result in a fire, especially if combustibles are too close to the appliance or chimney and air spacers are blocked, preventing the free movement of cooling air.
- Do not draw outside air from garage spaces. Exhaust products of gasoline engines are hazardous. Do not install outside air ducts such that the air may be drawn from attic spaces, basements or above the roofing where other heating appliances or fans and chimneys exhaust or utilize air. These precautions will reduce the possibility of appliance smoking or air flow reversal. The outside air inlet must remain clear of leaves, debris, ice and/or snow. It must be unrestricted while appliance is in use to prevent room air starvation which can cause smoke spillage and an inability to maintain a fire. Smoke spillage can also set off smoke alarms.
- Negative pressure within your home may inadvertently affect your appliance.
- To prevent contact with sagging or loose insulation, the appliance must not be installed against vapour barriers or exposed insulation. Localized overheating could occur and a fire could result.
- Do not use makeshift compromises during installation. Do not block or restrict air, grille or louvre openings. Do not add a hood.
- To prevent personal injury, keep hand tools in good condition, sharpen cutting edges and make sure tool handles are secure.
- Always maintain the minimum air space required in the enclosure to prevent fires.
- Check with local building officials for any permits required for installation of this appliance and notify your insurance company prior to proceeding.

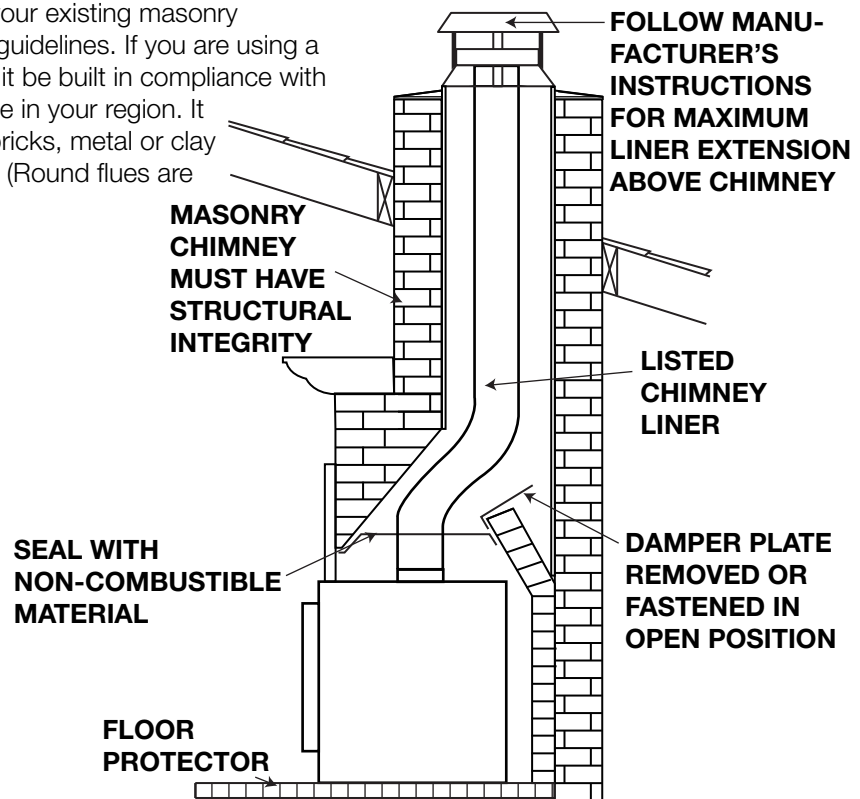
It is extremely important that your appliance be installed according to the manufacturer's specifications. The manufacturer's installation instructions and specified clearances should always be followed in accordance with local and national codes. In Canada the CSA B365 and the CSA C22.1 installation codes are to be followed. In the USA the ANSI NFPA 70 and ANSI NFPA 211 installation codes are to be followed.

Chimney and liner must be in good condition and kept clean.

# installation

## 3.1 typical existing masonry

You can install your appliance using your existing masonry chimney. To do so, use the following guidelines. If you are using a masonry chimney, it is important that it be built in compliance with the specifications of the Building Code in your region. It must normally be lined with fire clay bricks, metal or clay tiles sealed together with fire cement. (Round flues are the most efficient).



- A.** Remove the fireplace damper or fasten it permanently open.  
\* We recommend the following method of sealing off the damper area around the liner.
- B.** \* Measure the throat of the fireplace and mark this shape on a piece of 24 gauge sheet metal (flue cover); cut a six-inch (6.75" / 171mm) hole to lie directly below the fireplace flue opening. Allow two inches of material for a flange on all sides and cut to these measurements. Bend down the flanges. If you have never done this before, it might be a good idea to make a cardboard pattern and test it first. Fasten this flue cover in position as high as possible with two masonry screws per side through the flanges into the fireplace.

**In Canada:** Install a listed 6" (152mm) diameter flexible stainless steel liner from the top of the chimney to the insert flue collar. Attach a stainless steel liner connector or elbow to the liner and insert onto the flue collar. Fasten with three screws. Secure the top of the liner to the chimney cap using a liner support and chimney flashing. Cap the top of the chimney liner assembly using an approved rain cap.

### note:

This fireplace insert must be installed with a continuous chimney liner of 6" (152mm) diameter extending from the fireplace insert to the top of the chimney. The chimney liner must conform to the Class 3 requirements of CAN/ULC-S635, Standard for Lining Systems for Existing Masonry or Factory-Built Chimneys and Vents, or CAN/ULC-S640, Standard for Lining Systems for New Masonry Chimneys.

**In the United States:** While it is not required, it is recommended that a chimney liner be installed that is continuous from the insert to the top of the chimney, particularly when the insert is installed in a basement. For this type of connection, use the "In Canada" installation instructions above.

If a continuous liner is not installed, a "direct flue connection" must be made. The direct flue connection requires a non-combustible connector that extends from the insert into the chimney flue liner and also that the installed flue cover be sealed below the entry point of the connector to prevent dilution of combustion products in the chimney flue with air from inside the house. Cap the top of the chimney using an approved rain cap.

The following installation requirements must be observed when installing solid fuel burning inserts into factory built fireplaces.

### 3.2 factory built fireplace

The following installation requirements must be observed when installing solid fuel burning inserts into factory built fireplaces.

- A. The factory built fireplace must be listed per UL 127 or ULC S610.
- B. Clearances to any combustible material surrounding this insert as identified must be followed. These clearance requirements supersede any pre-existing facing material clearances listed for the factory built fireplace.
- C. Installation must include a full height listed chimney liner meeting HT requirements (2100°F/1149°C) as required in UL 1777 (U.S.) or ULC S635 (Canada). The liner must be securely attached to the insert flue collar and the chimney top.
- D. Means must be provided to prevent room air passage to the chimney cavity of the fireplace. This may be accomplished by sealing the damper area around the chimney liner, or sealing the appliance front.
- E. The air flow within and around the appliance shall not be altered by the installation of the insert (i.e. no louvres or cooling air inlet or outlet ports are blocked), unless specifically tested as such for each factory built fireplace manufacturer and model line.

**note:**

Using a louvered face plate (surround) complies with this requirement.

- F. Alteration of the appliance in any manner is not permitted with the following exceptions;
  - A. External trim pieces which do not affect the operation of the appliance may be removed providing they can be stored on or within the fireplace for reassembly if the insert is removed.
  - B. The chimney damper may be removed to install the chimney liner.
- G. Circulating air chambers (i.e. in a steel fireplace liner or metal heat circulator) shall not be blocked.
- H. Means must be provided for removal of the insert to clean the chimney flue.
- I. Inserts that project in front of the fireplace must be supplied with appropriate support means.
- J. A permanent metal warning label must be attached to the back of the fireplace stating that the fireplace must be restored to its original condition for safe use without the insert.

## 4.0 finishing

### 4.1 door removal

#### **!** WARNING

- Burning your appliance in with the doors open or ajar creates a fire hazard that may result in a house and/or chimney fire.
- Do not strike or slam door.
- Never remove the door when the appliance is hot.

#### note:

We strongly recommend using two people to remove and/or install the appliance door as it is very heavy.

1. With one hand on the door to prevent it from falling, open the door and remove the 6 large screws located on the hinges (**Fig. 4-1**).
2. Remove the door, placing it face down on a soft, non-abrasive surface (**Fig. 4-2**). Be careful not to scratch the paint.
3. Reverse these steps to install the door.

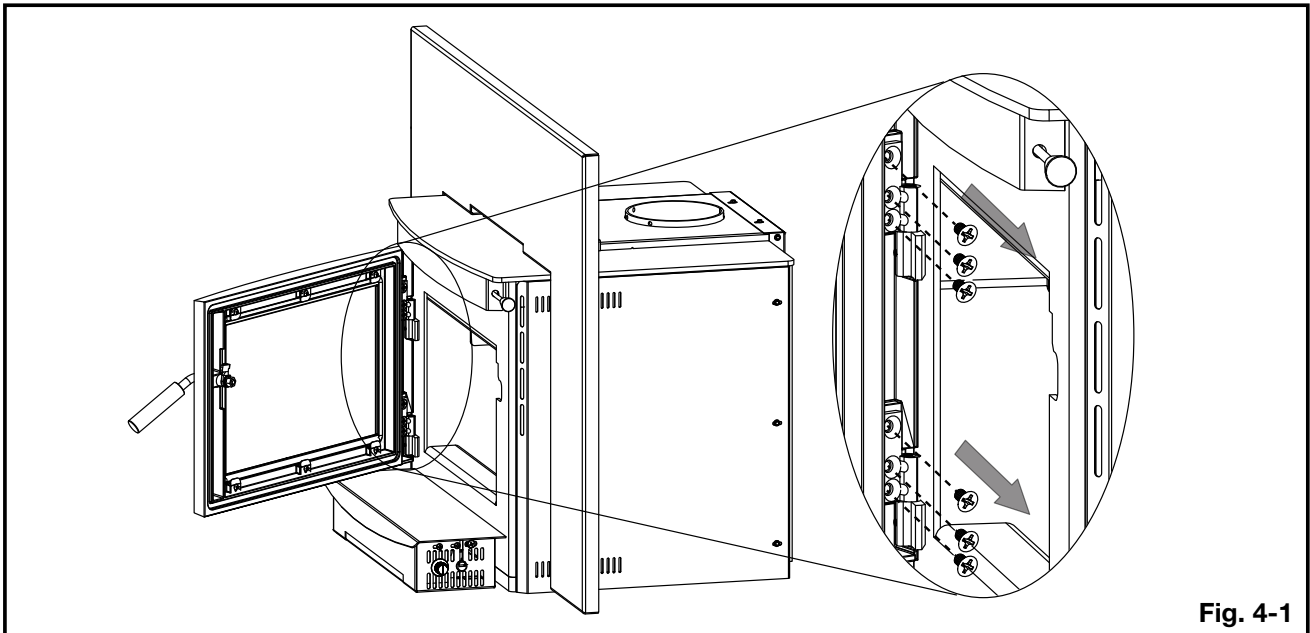


Fig. 4-1

#### note:

Hinge **MUST** stay secured to appliance during door removal / installation.

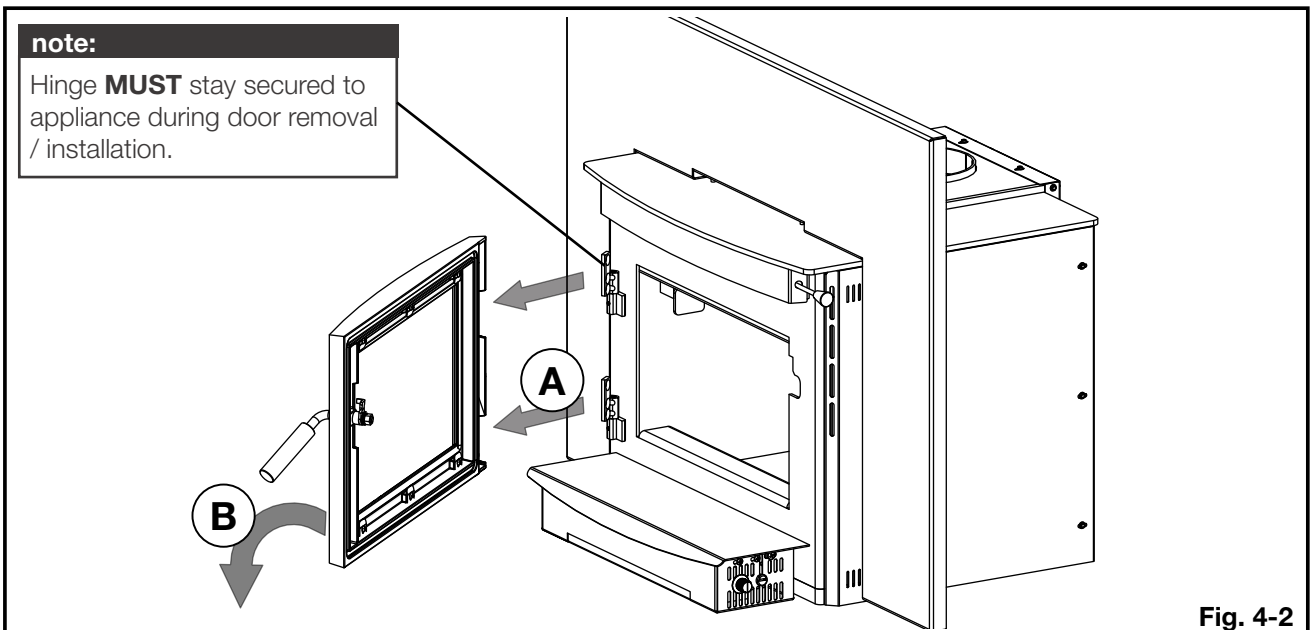


Fig. 4-2

## 4.2 door adjustment

**note:**

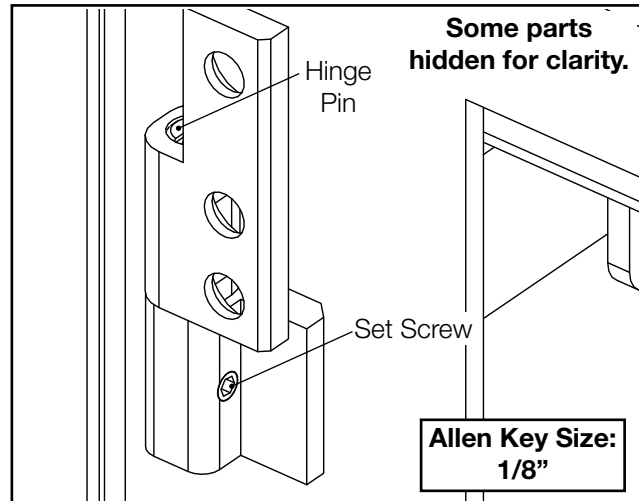
This hinge pin is an offset cam, which means it can move the door away from or closer to the firebox face, either creating a gap between it and the door gasket or making the door fit too tight. Adjust accordingly.

1. After removing and reinstalling the door (see "door removal" section), the door may not be level. In this case, door adjustment may be necessary.
2. To align the door, loosen the set screws. Rotate the hinge pins clockwise or counter-clockwise to raise or lower the opposite end of the door. Tighten the set screw.

**note:**

Door adjustment is strictly trial and error; you may need to perform this adjustment a few times until the desired door angle is attained.

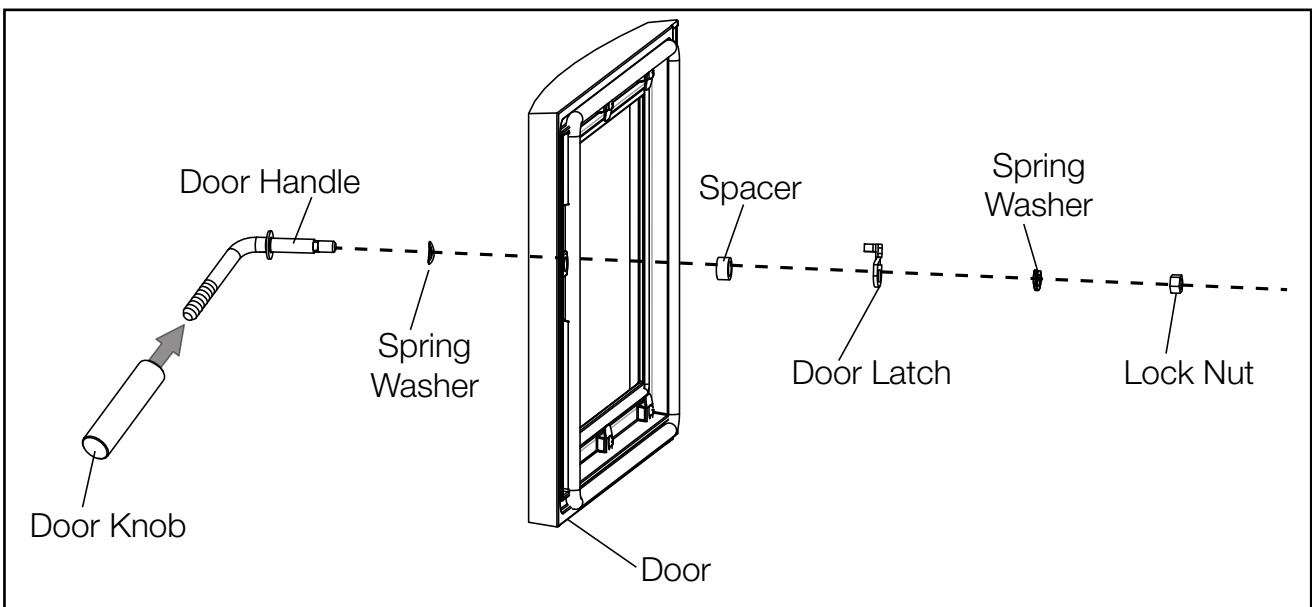
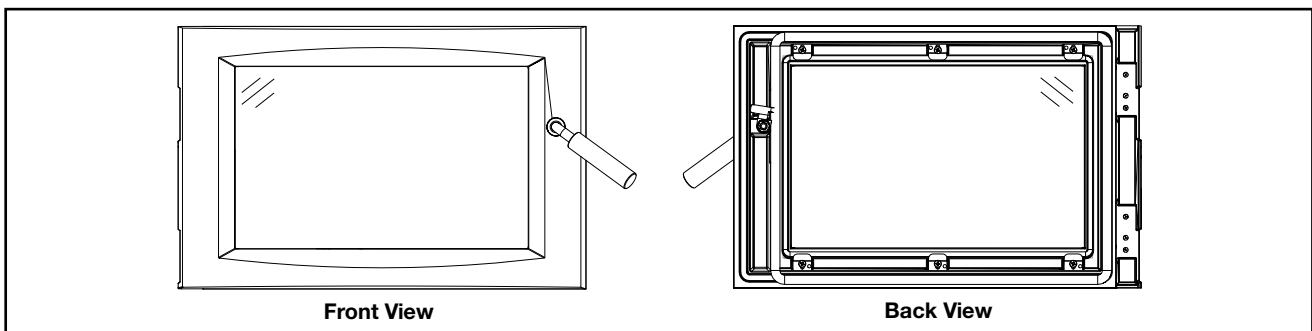
3. Ensure the door latch closes and engages properly.



## 4.3 door handle installation

**! WARNING**

- Burning your appliance in with the doors open or ajar creates a fire hazard that may result in a house and/or chimney fire.
- Do not strike or slam door.
- Never remove the door when the appliance is hot.

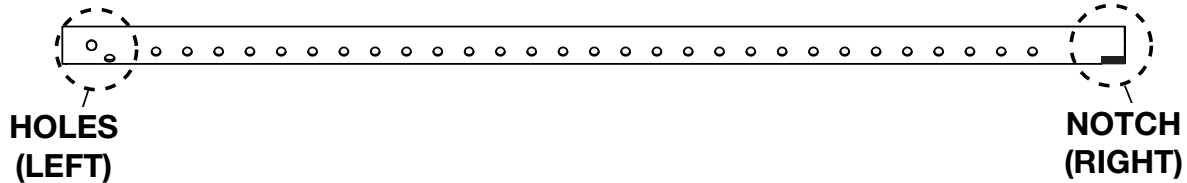


## 4.4 secondary air tubes

**note:**

The back 3 secondary air tubes are factory-installed; therefore only the front secondary air tube (supplied inside the firebox) will need to be installed.

Before beginning installation, note the correct orientation of the secondary air tube. The side with the notch should face to the right, while the side with 2 holes on the end should face to the left.



1. With the appliance door open or removed, insert the left side of the secondary air tube into the hole in the **left side** of the appliance.
2. Insert the right side of the secondary air tube into the hole in the **right side** of the appliance. Ensure the notch makes contact with the pin (**Fig. 4-3**).
3. Align the hole in the secondary air tube with the hole in the bracket inside the left side of the firebox, and then insert a cotter pin (supplied) (**Fig. 4-4**).
4. Spread the cotter pin to retain the secondary air tube in place.

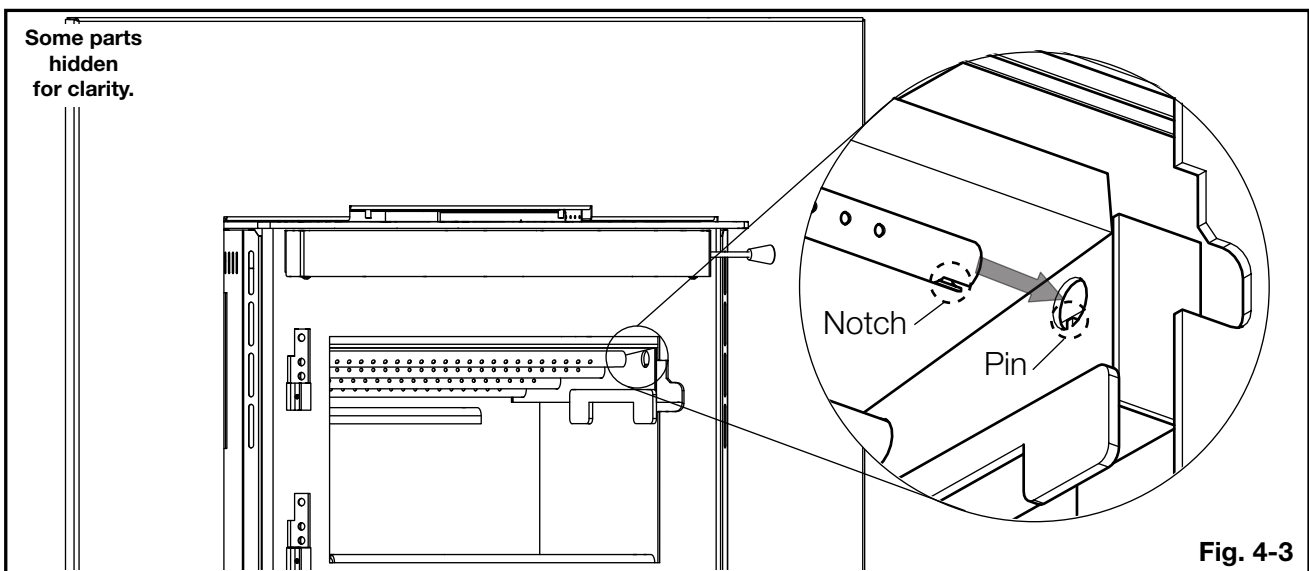


Fig. 4-3

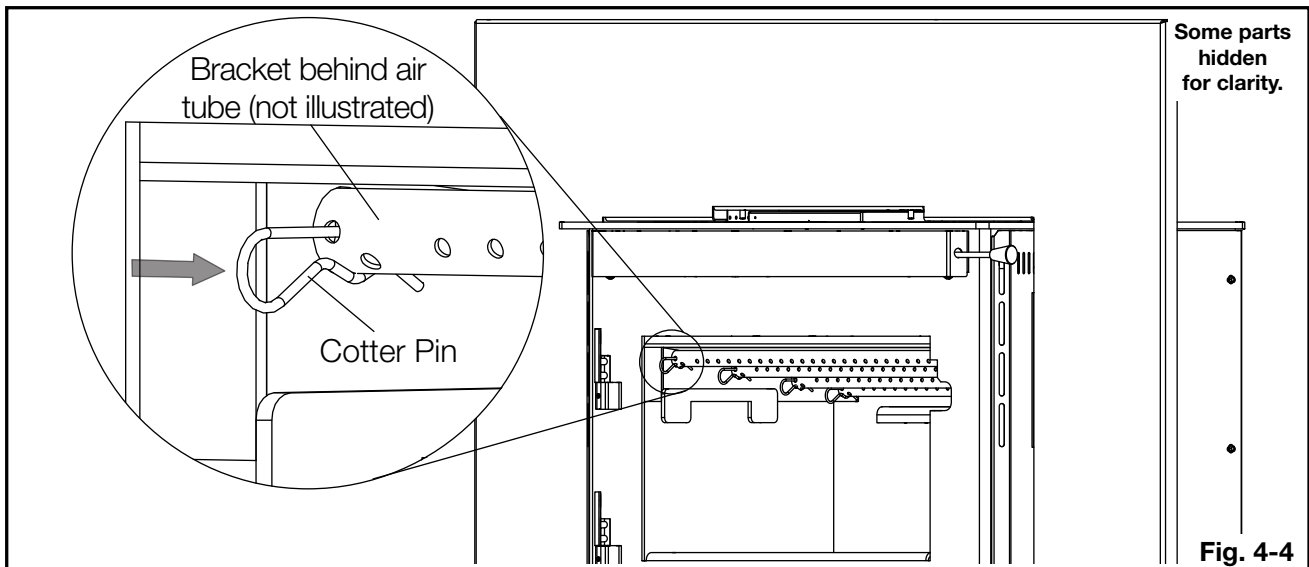


Fig. 4-4

## 4.5 bricks and baffles installation

### ! WARNING

- Operation of the appliance without the bricks and baffles can result in excessive temperatures that could damage the appliance., chimney and the surrounding enclosure.

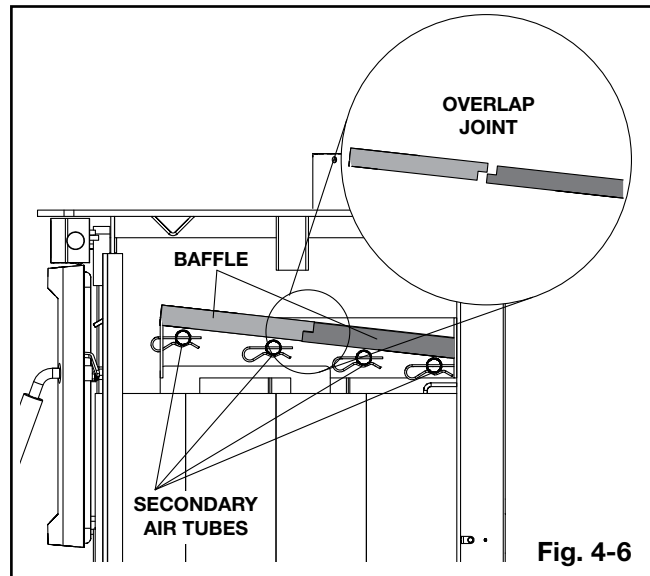
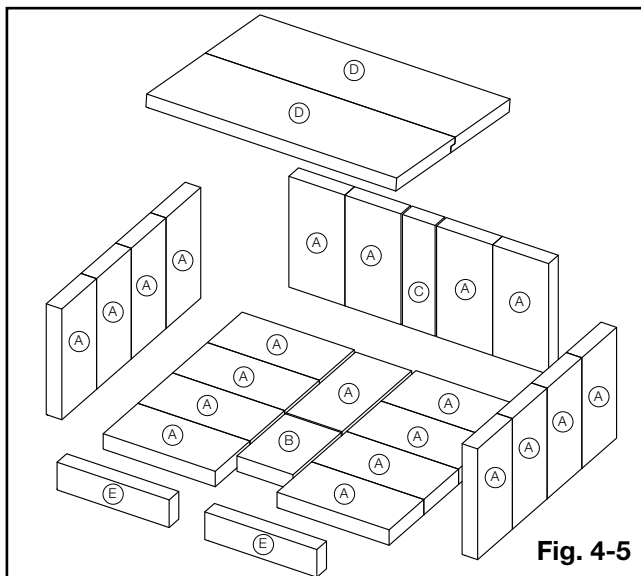
With the appliance and chimney installation completed, move the bricks into place as illustrated below (**Fig. 4-5**).

- Install nine (A) bricks and one (B) brick along the bottom of the firebox, working from the back of the appliance forward.
- Install eight (A) bricks along the left and right sides of the appliance.
- Install four (A) bricks and one (C) brick along the back wall by pivoting the bricks up under the brick retainer.

#### note:

Place brick (C) in the centre, with two (A) bricks on either side as illustrated (**Fig. 4-5**).

- Carefully pivot fibre baffles (D) up onto the secondary air tubes as illustrated (**Fig. 4-6**). Ensure that the top baffles are pushed all the way to the rear of the firebox, leaving a minimum of a 1 inch gap along the front. This will allow the flue gases to escape the firebox. Ensure overlap joint is tight.
- Install the two (E) bricks along the front.



#### note:

The fibre baffles are shipped inside the firebox. They must be removed from all special packaging prior to installation.

For further details about brick descriptions and part numbers, see "replacement parts" section.

# finishing

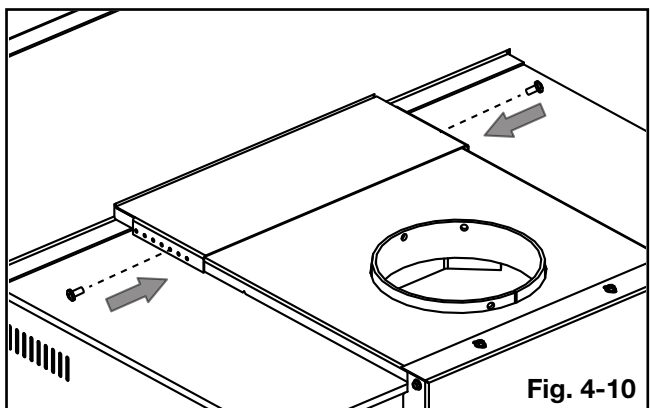
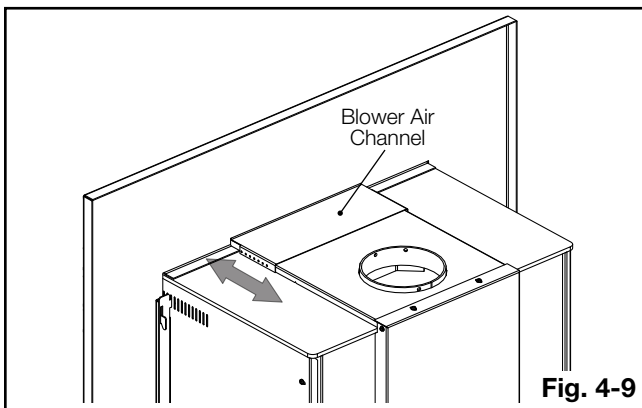
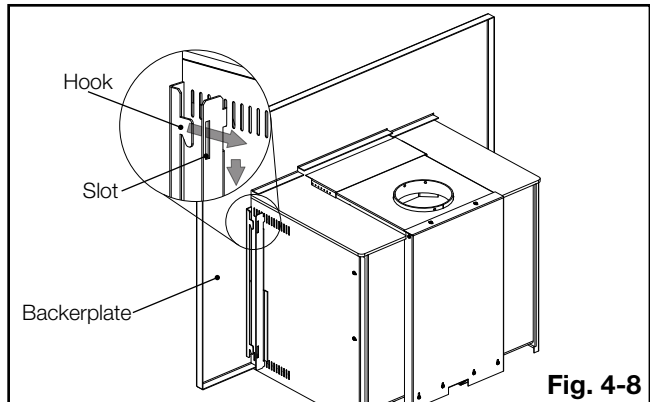
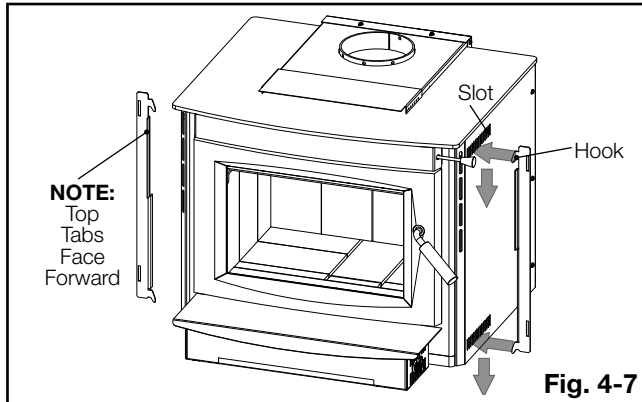
## 4.6 backerplate installation

- A. Install brackets (supplied) onto both sides of the appliance by inserting the hooks into the desired appliance slots.

**note:**

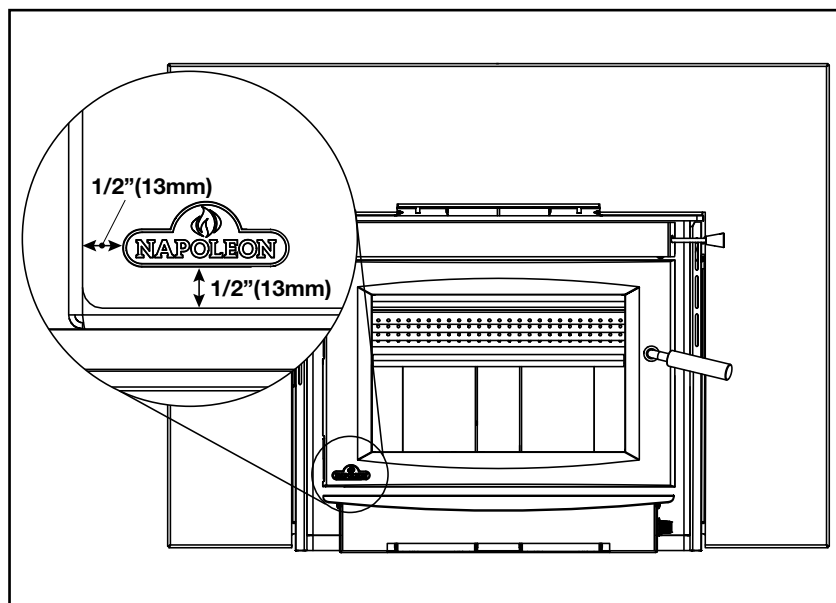
Brackets are asymmetrical. During installation, ensure the top tabs face forward (**Fig. 4-7**).

- B. Place the hooks on the backerplate into the slots in the brackets previously installed in step A (**Fig. 4-8**).
- C. Adjust the blower air channel by sliding it forwards or backwards (**Fig. 4-9**).
- D. Fasten the blower air channel in place by installing 2 screws (supplied) (**Fig. 4-10**).



## 4.7 logo placement

Remove the backing of the logo supplied and place, as illustrated.



## 4.8 blower installation

### **!** WARNING

- Risk of fire and electrical shock.
- Turn off the electrical power before servicing this appliance.
- Use only Wolf Steel approved optional accessories and replacement parts with this appliance. Using non-listed accessories (blowers, doors, louvres, trims, etc.) could result in a safety hazard and will void the warranty and certification.
- Ensure that the blower's power cord is not in contact with any surface of the appliance to prevent electrical shock or fire damage. Do not run the power cord beneath the appliance.

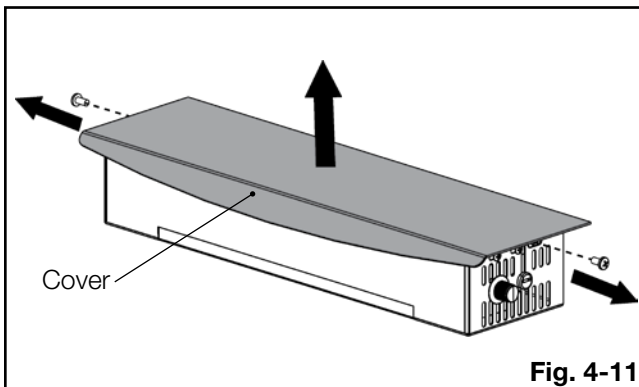
Drywall dust will penetrate into the blower bearings, causing irreparable damage. Care must be taken to prevent drywall dust from coming into contact with the blower or its compartment. Any damage resulting from this condition is not covered by the warranty policy. Use of the blower increases the output of heat.

This blower is thermally activated. Depending on the intensity of the fire, the blower will start 15-30 minutes after lighting. The thermal switch for the appliance is affixed to an adjustable bracket, which should be positioned so it is in contact with the blower housing as illustrated.

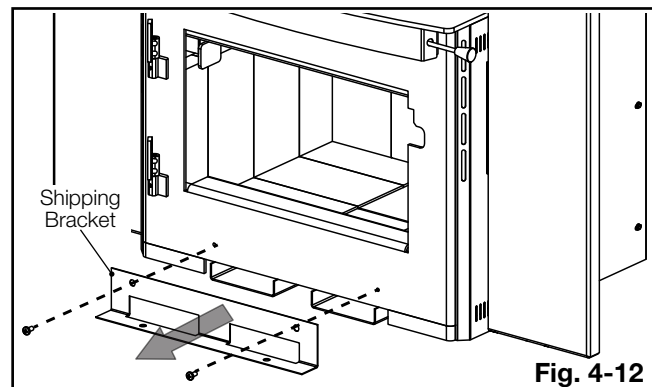
**note:**

For shipping purposes the blower housing has been stored within the firebox. We recommend removing the door prior to installing the blower.

- Remove the door (see "door removal" section).
- Remove the two screws securing the cover to the blower assembly (**Fig. 4-11**). Set the screws and cover aside.
- Remove the shipping bracket by removing the two screws (**Fig. 4-12**). Discard the bracket and set the screws aside.

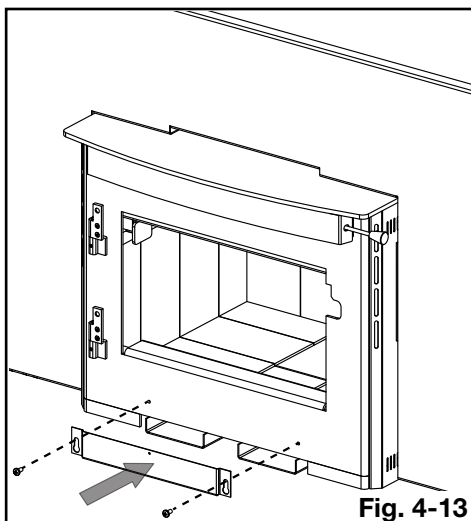


**Fig. 4-11**

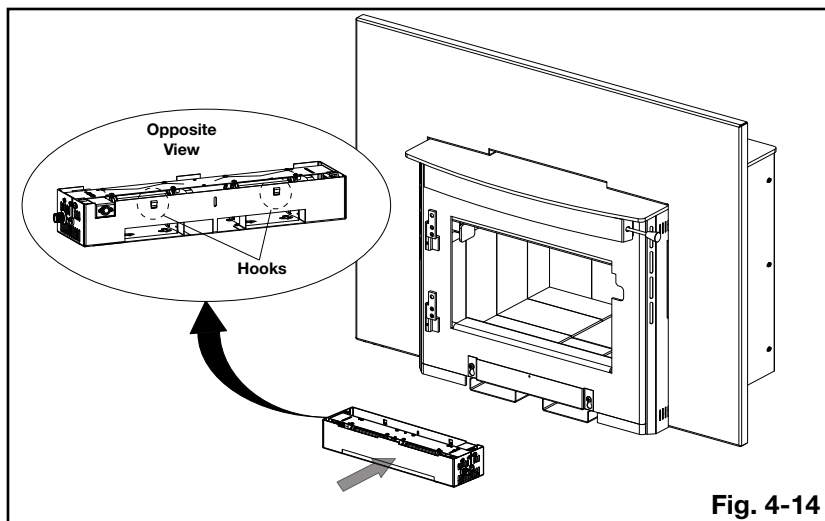


**Fig. 4-12**

- Install the blower mounting bracket using the two screws from step C (**Fig. 4-13**).
- Secure the hooks in the blower assembly over the blower mounting bracket (**Fig. 4-14**), and then slide the blower assembly down until it is secure. Ensure the blower assembly is centred to the firebox.

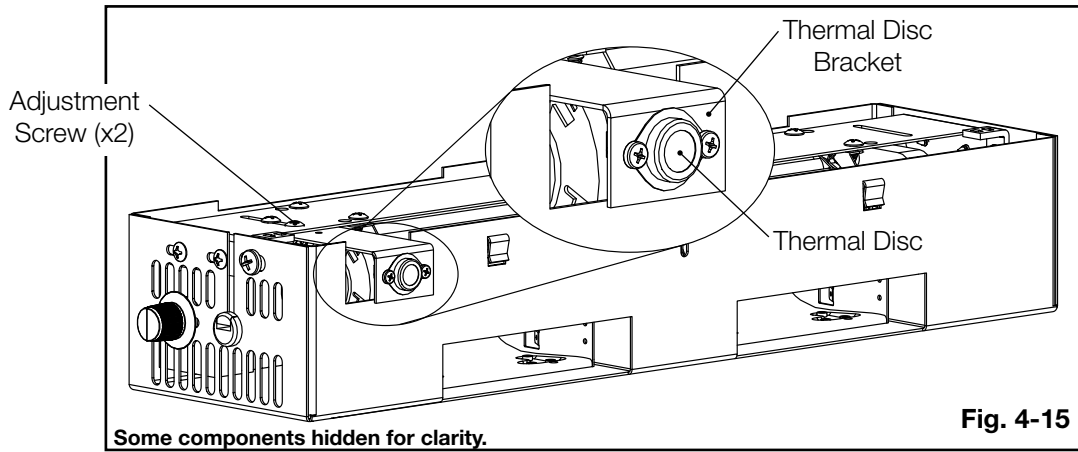


**Fig. 4-13**



**Fig. 4-14**

- F. Loosen the adjustment screws, then slide the thermal disc bracket until the thermal disc is touching the face of the firebox (**Fig. 4-15**).



- G. Re-secure the adjustment screws to hold the thermal disc bracket in place.  
H. Re-attach the cover using the two screws previously removed in step B.  
I. Reinstall the door previously removed in step A.

## WARNING

- Always operate this appliance with the door closed and latched except during start up and re-fueling. Always wear gloves to prevent injury. Do not leave the fire unattended when the door is unlatched as unstable wood could fall out of the fire chamber creating a fire hazard to your home.
- Never leave children unattended when there is a fire burning in the appliance.
- Never use gasoline, gasoline-type lantern fuel, kerosene, charcoal lighter fluid, or similar liquids to start or “freshen up” a fire in this appliance. Keep all such liquids well away from the appliance while it is in use.
- Objects placed in front of the appliance should be kept a minimum of 48” from the front face.
- Any modification of the appliance that has not been approved in writing by the testing authority is considered breaching CSA B365 (Canada) and ANSI/NFPA 211 (USA).
- Open air control (and damper when fitted) before opening firing door.
- Hot while in operation. Keep children, clothing and furniture away. Contact may cause skin burns. Wear gloves to operate your appliance.
- Burning your appliance with the doors open or ajar creates a fire hazard that may result in a house and or chimney fire.
- This wood appliance has a manufacturer-set minimum low burn rate that must not be altered. It is against federal regulations in the United States to alter this setting or otherwise operate this wood appliance in a manner inconsistent with operating instructions in this manual.

Your Napoleon EPA listed product is designed with the most advanced technology. The appliance is extremely airtight.

The first fire(s) in your appliance will be difficult to get going and keep going with little amount of heat being generated. This is a result of the moisture being driven out of the fire brick. During the break-in period (the first 2 or 3 fires) create only small, fires using kindling; this will allow the firebrick to cure. Do not be alarmed if small hairline cracks develop in the firebrick. This is a normal occurrence and does not pose a safety hazard. The paint may also smell a little for the first few fires as it cures and you may wish to open a door or window to alleviate the smell.

To start, a brisk fire is required. Place loosely crumpled paper on the floor of the appliance and cover with dry kindling. Open the air control fully by sliding control all the way to the right. Light the paper and leave the door slightly ajar (one inch) until all kindling is burning. To maintain a brisk fire, a hot coal bed must be established and sustained.

Slowly add larger wood (2x4 size pieces). Lay the pieces lengthwise from side to side in the hot coal bed with a shallow trench between, so that the primary air can flow directly into this trench and ignite the fuel above. When the fire seems to be at its peak, medium sized logs may be added. Once these logs have caught fire, carefully close the door. (Closing the door too quickly after refueling will reduce the firebox temperature and result in an unsatisfactory burn.) Remember it is more efficient to burn medium sized wood, briskly, and refuel frequently than to load the appliance with large logs that result in a smouldering, inefficient fire and dirty glass.

As soon as the door is closed, you will observe a change in the flame pattern. The flames will get smaller and lazier because less oxygen is getting into the combustion chamber. The flames, however, are more efficient. The flames will remain lazy but become larger again as soon as the firebricks have been heated thoroughly and the chimney becomes heated and provides a good draft. At this point, the roaring fire that you see when the door is opened is wastefully drawing heated room air up the chimney, certainly not desirable. Always operate with the door fully closed once the medium sized logs have caught fire.

You can now add larger pieces of wood and operate the appliance normally. Once the appliance is entirely hot, it will burn very efficiently with little smoke from the chimney. There will be a bed of orange coals in the firebox and secondary flames flickering just below the top baffles. You can safely fill the firebox with wood to the top of the door and will get best burns if you keep the appliance pipe temperatures between 250°F (120°C) and 450°F (270°C). A surface thermometer will help regulate this.

Without an appliance thermometer, you are working blindly and have no idea of how the appliance is operating! An appliance thermometer offers a guide to performance.

**Can't get the fire going?** Use more kindling and paper. Assuming the chimney and vent are sized correctly and there is sufficient combustion air, the lack of sufficiently dry quantities of small kindling is the problem. Thumb size is a good gauge for small kindling diameter.

**Can't get heat out of the appliance?** One of two things may have happened. The appliance door may have been closed prematurely and the appliance itself has not reached optimum temperature. Reopen the door and/or draft control to re-establish a brisk fire. The other problem may have been wet wood. The typical symptom is sizzling wood and moisture being driven from the wood.

# operation

## 5.1 optimum burn method

**For optimal emissions performance and efficiency, follow these simple guidelines when using your appliance:**

- A.** Maintain a 2" (51mm) deep, hot, glowing red coal bed.
- B.** Burn dry seasoned wood with less than 20% moisture content and burn so that the glass door remains clean.
- C.** A stove thermometer should indicate 350°F (176°C) as an average temperature.
- D.** Maintain a minimal trace of smoke coming from the chimney when the appliance is burning as intended.
- E.** Inspect and replace all necessary components such as gaskets, manifolds, glass and other components which may affect the overall appliance performance.
- F.** Ensure an adequate draft to control burn rate and temperature.

See "operation" and "maintenance" sections.

## 5.2 optional blower operation

**The following operating procedure is recommended to achieve optimal performance:**

**When operating on high burn rate:**

1. We recommend setting the blower to the "HIGH" setting and operating with a thermodisc (located in the blower assembly, mounted to the front of the appliance).

**When operating on medium burn rate:**

2. We do not recommend using the blower.

**When operating on low burn rate:**

3. We recommend turning on the blower after approximately 60 minutes at the minimum setting and operating with a thermodisc (located in the blower assembly, mounted to the front of the appliance).

### 5.3 air control

#### **! WARNING**

- This wood appliance has a manufacturer-set minimum low burn rate that must not be altered. It is against federal regulations in the United States to alter the setting or otherwise operate this wood appliance in a manner inconsistent with operating instructions in this manual.

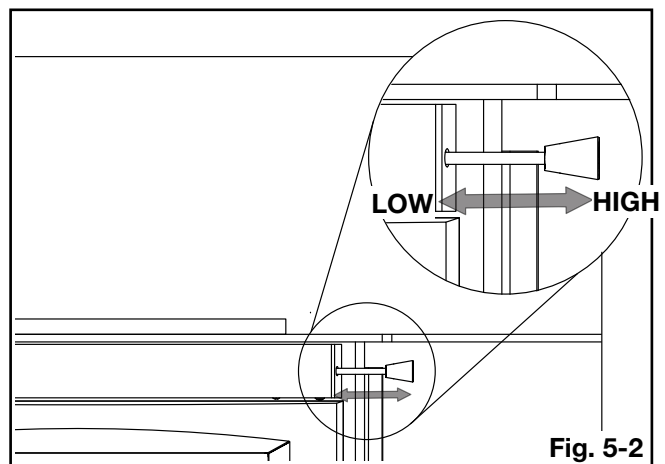
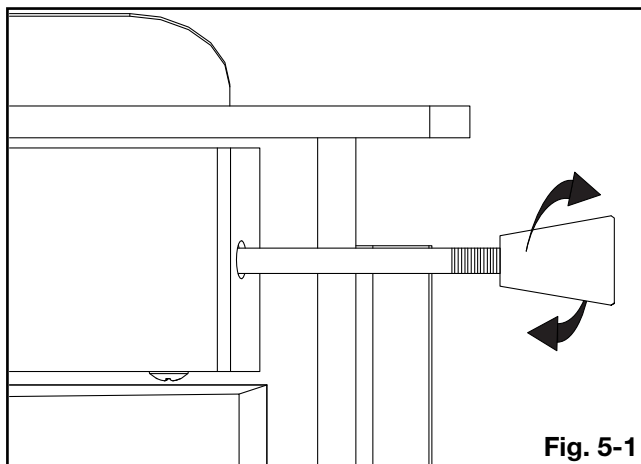
Draft is the force which moves air from the firebox up through the chimney. The amount of draft in your chimney depends on the length and diameter of chimney, local geography, nearby obstructions and other factors including the amount of heat generated by the fire which can be measured by an appliance thermometer.

Before adjusting the air control, install the knob (supplied) by screwing it onto the end of the air control rod (**Fig. 5-1**).

Adjusting the air control all the way to the left reduces the temperature. The draft can be adjusted from low to high by moving the handle in and out (**Fig. 5-2**).

Inadequate draft may cause back-puffing into the room through the appliance and chimney connector points and may cause plugging of the chimney. Too much draft may cause an excessive temperature in the appliance, glowing red appliance parts or chimney connectors or an uncontrollable burn which can lead to a chimney fire or permanent damage to the appliance.

Do not operate your appliance for longer than 30 minutes with the draft control on "HIGH" (fully open).



### 5.4 fire extinguishers / smoke & carbon monoxide detectors

#### **note:**

Always check your smoke and CO detectors are working properly.

All homes with a solid fuel burning appliance should have at least one fire extinguisher in a central location, known to all, at least one smoke detector and carbon monoxide (CO) detector in the room containing the appliance. If the smoke detector sounds an alarm, correct the cause but do not deactivate or relocate the smoke detector. If the carbon monoxide detector sounds an alarm, immediately vent the area, evacuate and call your local fire department.

# operation

## 5.5 fuel loading

When loading the appliance, ensure that the two upper fibre baffles are not lifted up and off their ledge. Maximum heat for minimum fuel (optimum burn) occurs when the appliance top temperature is between 500°F (260°C) and 600°F (315°C).

### note:

When loading the appliance, ensure to keep fuel back from the glass. If coals were to accumulate on the front lip, there is a chance they will fall out when the door is opened.

Burn only dry seasoned wood with 20% moisture content .It produces more heat and less soot or creosote. Do not burn ocean beach wood. Its salt content can produce a metal eating acid. Because these appliances burn at the front, they are clean and efficient, but they are also very hot and gloves are useful.

## ! WARNING

- Burn wood behind the log retainer directly on the firebricks. Do not use elevated grate or otherwise raise the fire.
- Do not store wood within appliance installation clearances or within the space required for re-fueling and ash removal.
- Burning wet, unseasoned wood can cause excessive creosote accumulation, which, when ignited, can cause a chimney fire that may result in a serious house fire.

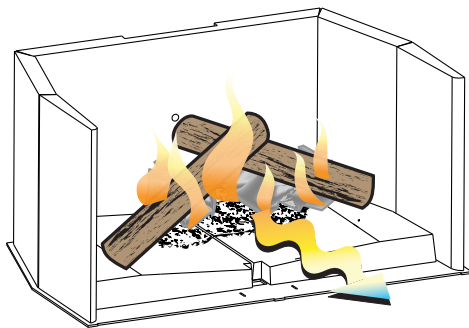
When operating the appliance efficiently, the bricks will be nearly all white and the glass mostly clear. The whiteness of the bricks and the cleanness of the glass are good indicators of your operating efficiency.

Not enough heat is produced when only one or two pieces of wood are burned.

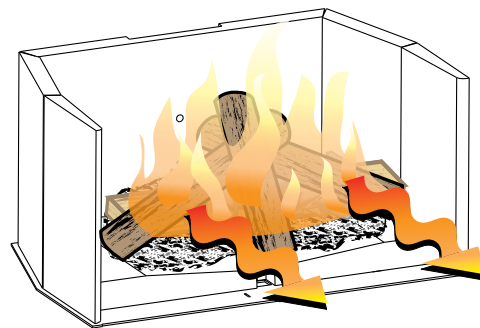
A minimum of three pieces are needed to encase a bed of coals that sustains the fire. Loosely stacked wood burns quicker than a tightly packed load.

A flash fire is a small fire burned quickly when you don't need much heat. After your kindling has "caught", load at least 3 pieces of wood, stacked loosely. Burn with the draft control fully open or closed only slightly.

Wood burns in cycles rather than giving a steady output of heat. It is best to plan these cycles around your household routine so that only enough coals are left to start the next load.



**INSUFFICIENT FIREWOOD**



**SUFFICIENT FIREWOOD**

When refuelling, open the door slowly to prevent smoke spillage. Use a pair of long appliance gloves when feeding the fire. Keep a small steel shovel nearby to use as a poker and to remove ashes. Do not store wood within 4 feet (1.2m) of the appliance.

Follow the directions below to minimize smoke spillage while re-loading the appliance.

1. Move the air control to high.
2. Open the bypass door, if equipped.
3. Open the glass door slightly. Allow the airflow inside the firebox to stabilize before opening the doors fully.
4. Load wood and burn at a medium low setting.
5. After 5-10 minutes, close the glass doors.
6. Ensure catalyst temperature is stable then shut bypass door, if equipped.

In the evening, load your appliance at least a half-hour before bed to ensure the fire is hot enough to close the draft control for an overnight burn, refer to the "overnight burn" section for detailed information.

### 5.5.1 extended fire

Load your larger pieces of wood so they are tightly packed, close enough to prevent the flames from penetrating it completely. After approximately 30 minutes, depending on the size of the load, close the draft control completely making sure that the fire is not extinguished.

#### **DO NOT OVERFIRE THE APPLIANCE!**

##### **Overfiring can occur by:**

- A.** Burning large amounts of smaller wood pieces such as furniture scraps, skids or treated wood;
- B.** Vigorously burning large loads of wood with the draft control on "HIGH" (fully open) for long periods of time (one or two hours).
- C.** Operating the appliance with the ash dump door blocked open or a poor gasket seal on the main door.

### 5.6 smoking

A properly installed appliance should not smoke. If yours does, check the following:

- Has the chimney had time to get hot?
- Is the smoke passage blocked anywhere in the appliance, chimney connector or chimney?
- Is the room too airtight and the air intake not connected to the outside? Try with a window partly open.
- Is the smoke flow impeded by too long a horizontal pipe or too many bends?
- Is it a weak draft perhaps caused by a leaky chimney, a cold outside chimney, too large a diameter of a chimney, too short a chimney, or a chimney too close to trees or a higher roof?
- Is the moisture content of the wood greater than 20%?
- If equipped, has the catalyst bypass been closed or closed prematurely?

## 6.0 maintenance

### WARNING

- Turn off the power before servicing the appliance.
- Appliance may be hot. Do not service until appliance has cooled.
- Do not use abrasive cleaners.

Check your chimney and chimney connector for creosote and soot buildup weekly until a safe frequency for cleaning is established.

If accumulation is excessive, disconnect the appliance and clean both the chimney and the appliance. You may want to call a professional chimney sweep to clean them. Both have to be cleaned at least once a year or as often as necessary.

Remove fibre baffles and clean above them once a year. Replace any broken bricks or baffles.

### 6.1 ash removal procedures

### WARNING

- Improper disposal of ashes result in fires. Do not discard ashes in cardboard boxes, dump in backyards, or store in garages.
- If using a vacuum to clean up ashes, be sure the ashes are entirely cooled. Using a vacuum to clean up warm ashes could cause a fire inside the vacuum.
- Never operate your appliance with the grate cover removed.
- Failure to achieve a good seal between the ash opening, ash plug or ash well door will result in an over-fire condition that could cause damage to the appliance.

Allow the ashes in your firebox to accumulate to a depth of two or three inches; they tend to burn themselves up. When the fire has burned down and cooled, remove any excess ashes but leave an ash bed approximately 1" (25mm) deep on the firebox bottom to help maintain a hot charcoal bed.

**DISPOSAL OF ASHES:** Ashes should be placed in a metal container with a tight fitting lid. The closed container of ashes should be placed on a non-combustible floor or ground, well away from all combustible materials, pending final disposal. If the ashes are disposed of by burial in soil or otherwise locally dispersed, they should be retained in the closed container until all cinders have thoroughly cooled.

### 6.2 creosote formation and removal

When wood is burned slowly, it produces tar and other organic vapors, which combine with expelled moisture to form creosote. The creosote vapors condense in the relatively cooler chimney flue or a slow-burning fire. As a result, creosote residue accumulates on the flue lining. When ignited, this creosote makes an extremely hot fire.

The chimney connector and chimney should be inspected at least once every two months during the heating season to determine if a creosote buildup has occurred.

If creosote has accumulated, it should be removed to reduce the risk of a chimney fire.

### 6.3 runaway or chimney fire

#### **WARNING**

- A chimney fire can permanently damage your chimney system. This damage can only be repaired by replacing the damaged component parts. Chimney fires are not covered by the lifetime limited warranty.

**CAUSES:**

- Using incorrect fuel, or small fuel pieces which would normally be used as kindling.
- Creosote build up in chimney.
- Leaving the door ajar too long and creating extreme temperatures as the air rushes in the open door.
- If equipped, burning your appliance with the ash plug not securely seated.

**SOLUTIONS:**

- Do not burn treated, painted, artificial, paper or processed wood logs, coal, charcoal, coloured paper or cardboard.
- Have chimney regularly cleaned.
- Be careful not to over-fire the appliance by leaving the door open too long after initial start-up. A thermometer on the chimney connector and/or appliance top helps to indicate the appliance operating temperature.
- If equipped, always operate the appliance with the ash plug properly installed.

**IN CASE OF A CHIMNEY FIRE:**

- Close glass door and air control (and damper, when equipped).
- Have a well understood plan for evacuation and a place outside for everyone to meet. Prepare to evacuate to ensure everyone's safety.
- Call local fire department. Have a fire extinguisher handy. Contact local authorities for further information on how to handle a chimney fire.
- After the chimney fire is out, clean and inspect the chimney or chimney liner for stress and cracks prior to lighting another fire. Also check combustibles around the chimney and the roof.

### 6.4 chimney cleaning

Both the chimney and the appliance must be inspected and cleaned if necessary at least once a year. For serious wood burners, chimney cleaning must be done as needed to avoid chimney fires; the venting systems for controlled combustion appliances may need cleaning as often as once a month. These rates, however, depend on the burning habits of the individual operating the appliance. For example, it is possible to clog a solid fuel appliance chimney in a few days if slow, smoldering fires are burned and the chimney is cold.

**note:**

Appliances burned consistently without hot fires may result in significant creosote accumulations in the chimney.

Certain items and considerations are important in chimney cleaning:

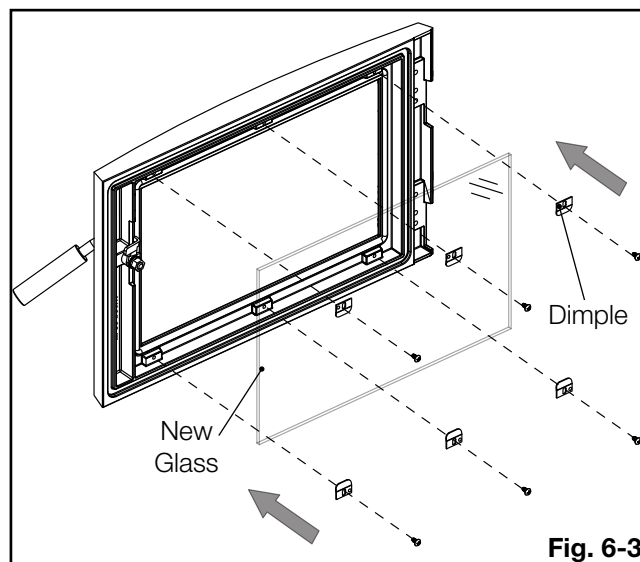
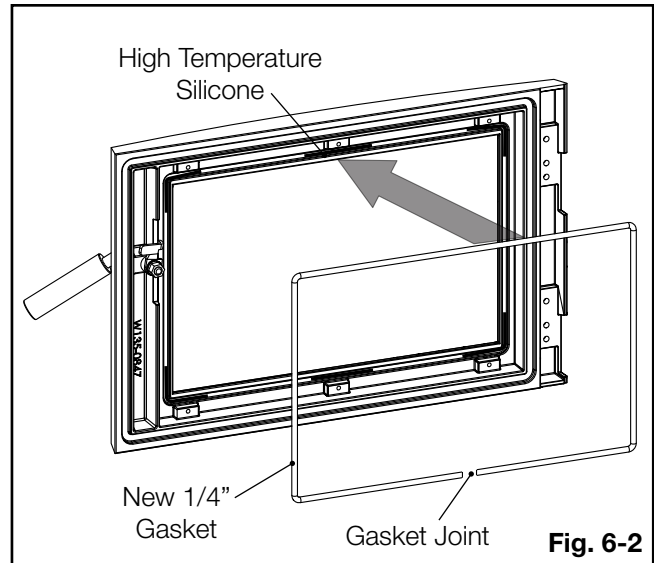
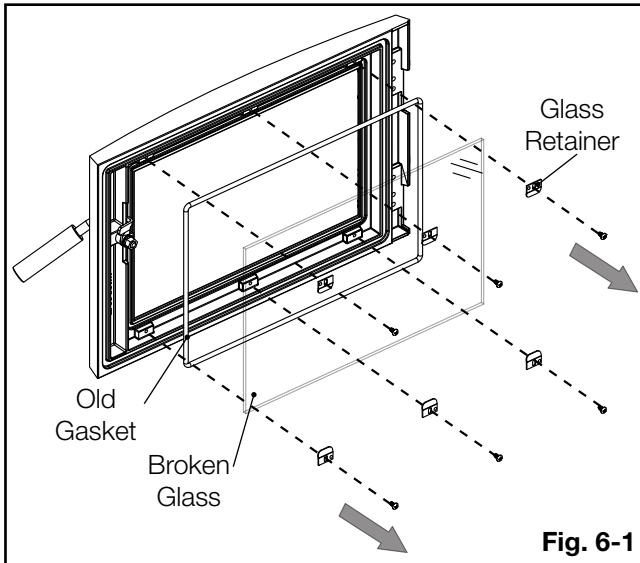
- Proper tools should be used, including a brush specifically designed for chimney cleaning.
- The chimney connector and dampers as well as the chimney should be cleaned.
- The appliance's firebox and baffle system should be cleaned if needed.
- The chimney should be inspected and repairs made if needed, preferably by a qualified chimney sweep or mason.

## 6.5 door glass replacement

**! WARNING**

- Do not use substitute materials.
- Glass may be hot. Do not touch glass until cooled.
- Care must be taken when removing and disposing of any broken door glass or damaged components. Be sure to vacuum up any broken glass from inside appliance before operation.
- Do not strike, slam, or scratch. Do not operate appliance with glass removed, cracked, broken, or scratched.

1. When the appliance is cool, have two people remove the door and place it face down on a soft, non-abrasive surface (see “door removal” section). Be careful not to scratch the paint.
2. Remove the 6 screws securing the glass retainers (**Fig. 6-1**). Set the screws and glass retainers aside.
3. Remove all broken glass and the old gasket.
4. Apply **high temperature silicone** (not supplied) in the gasket groove as illustrated (**Fig. 6-2**).
5. Cut the 1/4" gasket (supplied) to size and place on top of the silicone. Press the gasket down firmly to ensure it stays in place. Ensure the gasket joint is at the bottom as illustrated (**Fig. 6-2**).
6. Place new glass on top of the gasket.
7. Re-secure the 6 glass retainers by installing the 6 screws previously removed in step 2 (**Fig. 6-3**). Ensure the retainer dimples face away from the glass.
8. Re-install the door.



## 6.6 care of glass

### **WARNING**

- Do not clean glass when hot! Do not use abrasive cleaners to clean glass.

If the glass is not kept clean, permanent discoloration and/or blemishes may result. Normally a hot fire will clean the glass. The most common reasons for dirty glass include:

- Not using sufficient fuel to get the appliance thoroughly hot.
- Using green or wet wood.
- Closing the draft so far that there is insufficient air for complete combustion.

If it is necessary to clean the glass, buff lightly with a clean dry cloth and non-abrasive cleaner. Clean the glass after the first 10 hours of operation with a recommended appliance glass cleaner. Thereafter, clean as required.

The glass is very strong, but do not let burning fuel rest or fall against it and always close the door gently.

**NEVER FORCE OR SLAM IT SHUT!**

Do not operate the appliance with broken glass, as leakage of flue gases may result.

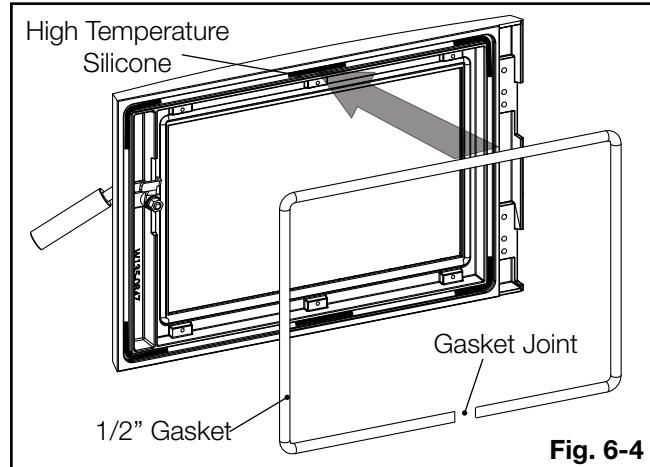
Contact your local authorized dealer/distributor for complete cleaning instructions.

If the glass should ever crack or break while the fire is burning, do not open the door until the fire is out. Do not operate the appliance until the glass has been replaced. Contact your local authorized dealer/distributor for replacement parts. **DO NOT SUBSTITUTE MATERIALS.**



## 6.7 door gasket replacement

1. When the appliance is cool, remove the door and place it face down on a soft, non-abrasive surface (see “door removal” section). Be careful not to scratch the paint.
2. Apply **high temperature silicone** (not supplied) in the gasket groove as illustrated (**Fig. 6-4**).
3. Cut the 1/2” gasket (supplied) to size and place on top of the silicone. Press the gasket down firmly to ensure it stays in place. Ensure the gasket joint is at the bottom as illustrated (**Fig. 6-4**).
4. Re-install the door.

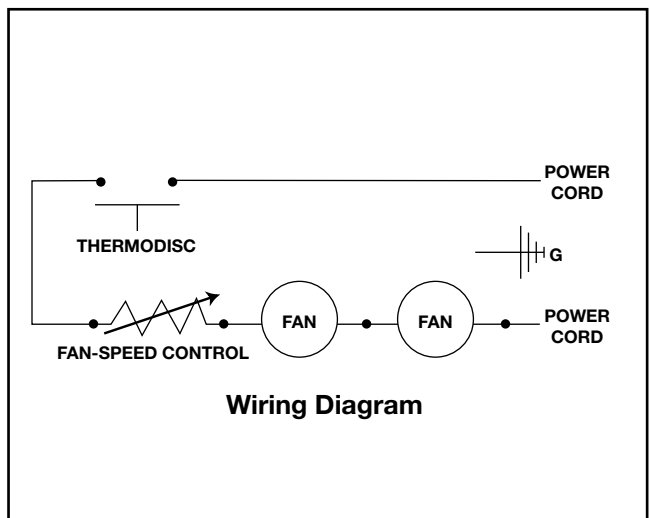
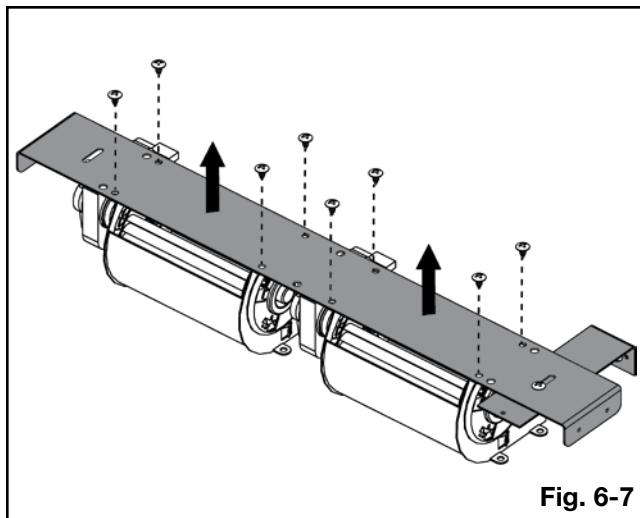
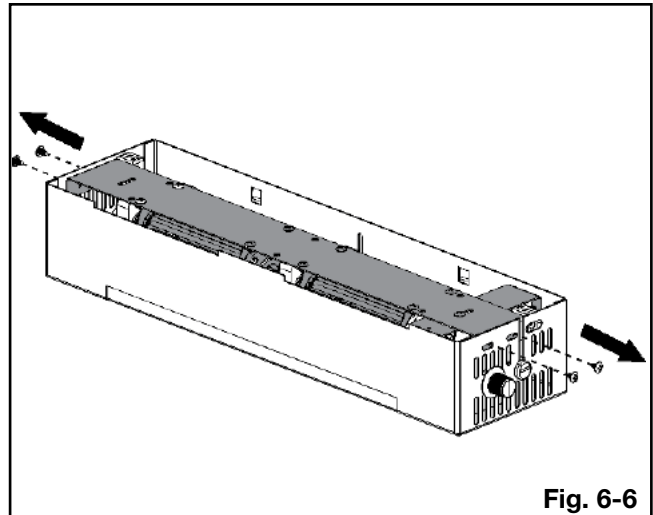
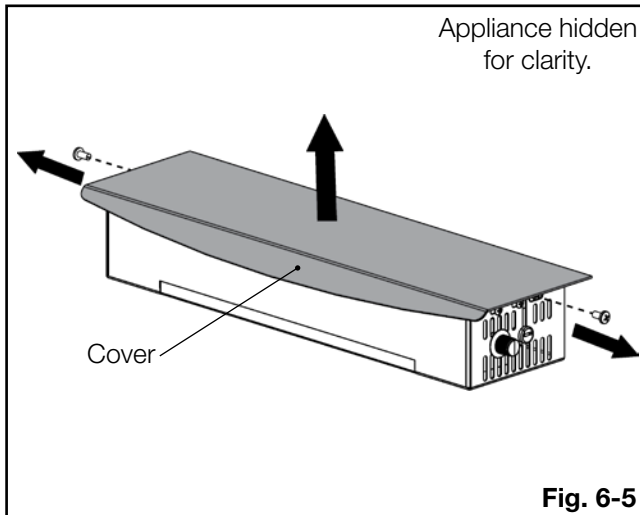


**Fig. 6-4**

# maintenance

## 6.8 blower service or replacement

- A. Turn off all electrical power to the appliance.
- B. Remove the 2 screws securing the cover to the blower housing (**Fig. 6-5**). Set the cover and screws aside.
- C. Remove the 4 screws securing the retainer to the blower housing (**Fig. 6-6**). Slide blowers (attached to retainer) out of the housing deflectors and lift them up. Set screws and blowers (attached to retainer) aside.
- D. If dust and debris have accumulated, vacuum the blowers and blower housing prior to re-installation.
- E. If blower replacement or service is required, remove the 8 screws securing the blowers to the retainer (**Fig. 6-7**).
- F. Reverse these steps to reinstall the blower.



6.9 wood

**! WARNING**

- This appliance is designed to burn natural wood only. Do not burn treated wood, coal, charcoal, coloured paper, cardboard, solvents or garbage. This appliance has not been tested with an unvented gas log set. To reduce risk of fire or injury, do not install an unvented gas log set into the appliance.
- Higher efficiencies and lower emissions generally result when burning air dried seasoned hardwoods, as compared to softwoods or too green or freshly cut hardwoods.
- Burning wet unseasoned wood can cause excessive creosote accumulation. When ignited, it can cause a chimney fire that may result in a serious house fire.
- Do not store fuel within the clearance to combustibles, or in the space required for re-fueling and ash removal.

Before loading the appliance, ensure all required insulation and baffles (if equipped) are installed and situated properly. For maximum efficiency, when the appliance is thoroughly hot, load it fully to the specified maximum amount and burn at a medium low setting (if equipped). The whiteness of the bricks and the cleanliness of the glass are good indicators of your operating efficiency. Not enough heat is produced when only a few pieces of wood are burned or the wood may not burn completely.

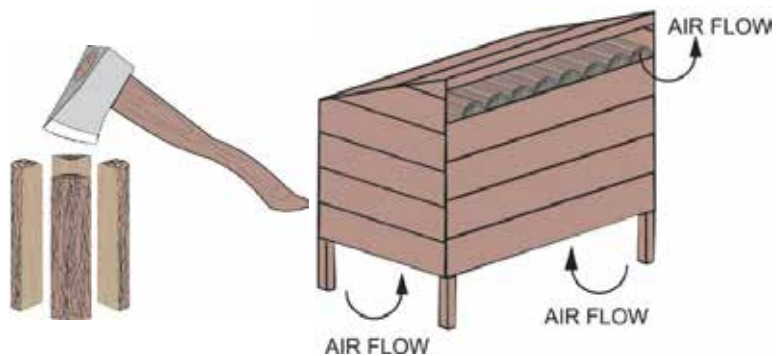
**note:**

Appliances surrounded by solid rock or brick will experience a longer heat up period as those materials absorb the heat being generated.

**TYPES OF WOOD**

Both hardwood and softwood burn equally well in this appliance but hardwood is denser, will weigh more per cord and burn a little slower and longer.

Manufactured firelogs made by compressing 100% natural wood fibre can be safely used as fuel. Do not use manufactured firelogs if they contain additives such as paraffin, wax, binders etc. Never burn more than two manufactured firelogs at a time.



**MOISTURE CONTENT**

Burn only dry, clean unpainted wood that has been seasoned. It produces more heat and less soot or creosote. Freshly cut wood contains about 50% moisture while after proper seasoning only about 20% of the water remains. As wood is burned, this water boils off consuming energy that should be used in heating. The wetter the wood, the less heat is given off and the more creosote is produced. Dry firewood has cracks in the end of the grain.

**STORING WOOD**

Firewood should be split and stacked in a manner that allows for full air circulation and covered in early spring to be ready for burning that fall. Dry firewood has cracks in the end grain.

Cut the wood so that it will fit horizontally, front to back, making for easier loading and less of a likelihood that the wood will roll onto the glass.

Fuel for the appliance must not be stored closer than the required clearances to combustibles (heat sensitive material). **NEVER STORE WOOD IN THE ASH PAN COMPARTMENT (if applicable).**

## 7.0 replacement parts

### **WARNING**

- Failure to position the parts in accordance with this manual or failure to use only parts specifically approved with this appliance may result in property damage or personal injury.

Contact your dealer for questions concerning prices and policies on replacement parts. Normally, all parts can be ordered through your Authorized dealer / distributor.

**For warranty replacement parts, a photocopy of the original invoice will be required to honour the claim.**

When ordering replacement parts always give the following information:

- Model & Serial Number of appliance
- Installation date of appliance
- Part number
- Description of part
- Finish

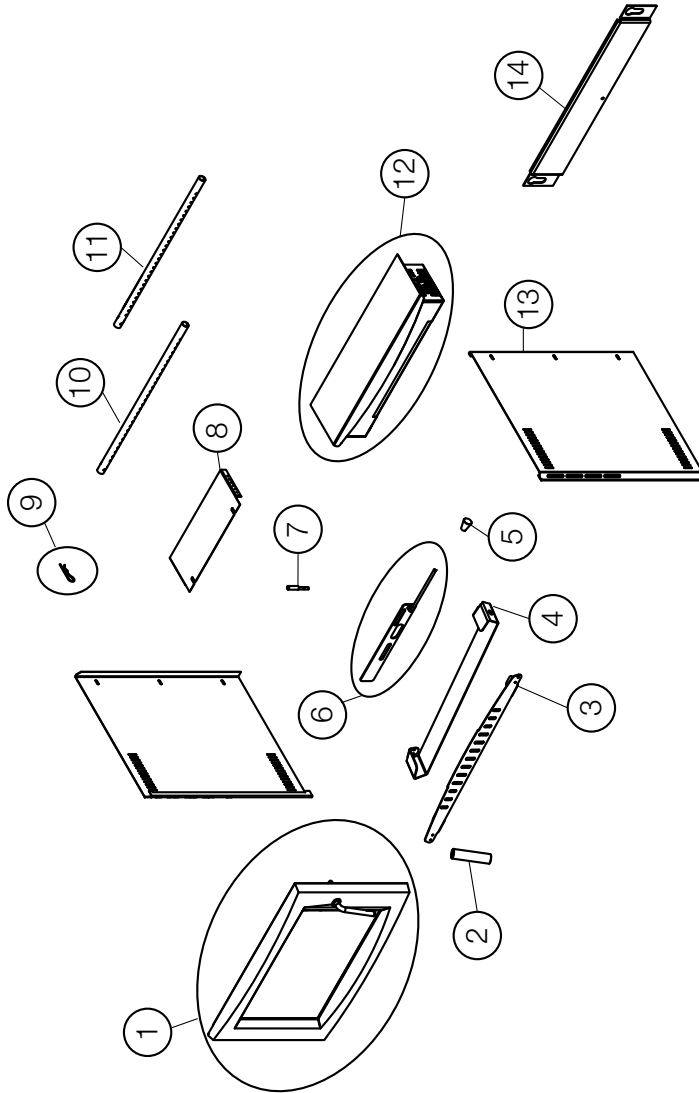
**Parts, part numbers, and availability are subject to change without notice.**

**Parts identified as stocked will be delivered within 2 to 5 business days for most delivery destinations.**

**Parts not identified as stocked will be delivered within a 2 to 4 week period, for most cases.**

**Parts identified as 'SO' are special order and can take up to 90 days for delivery.**

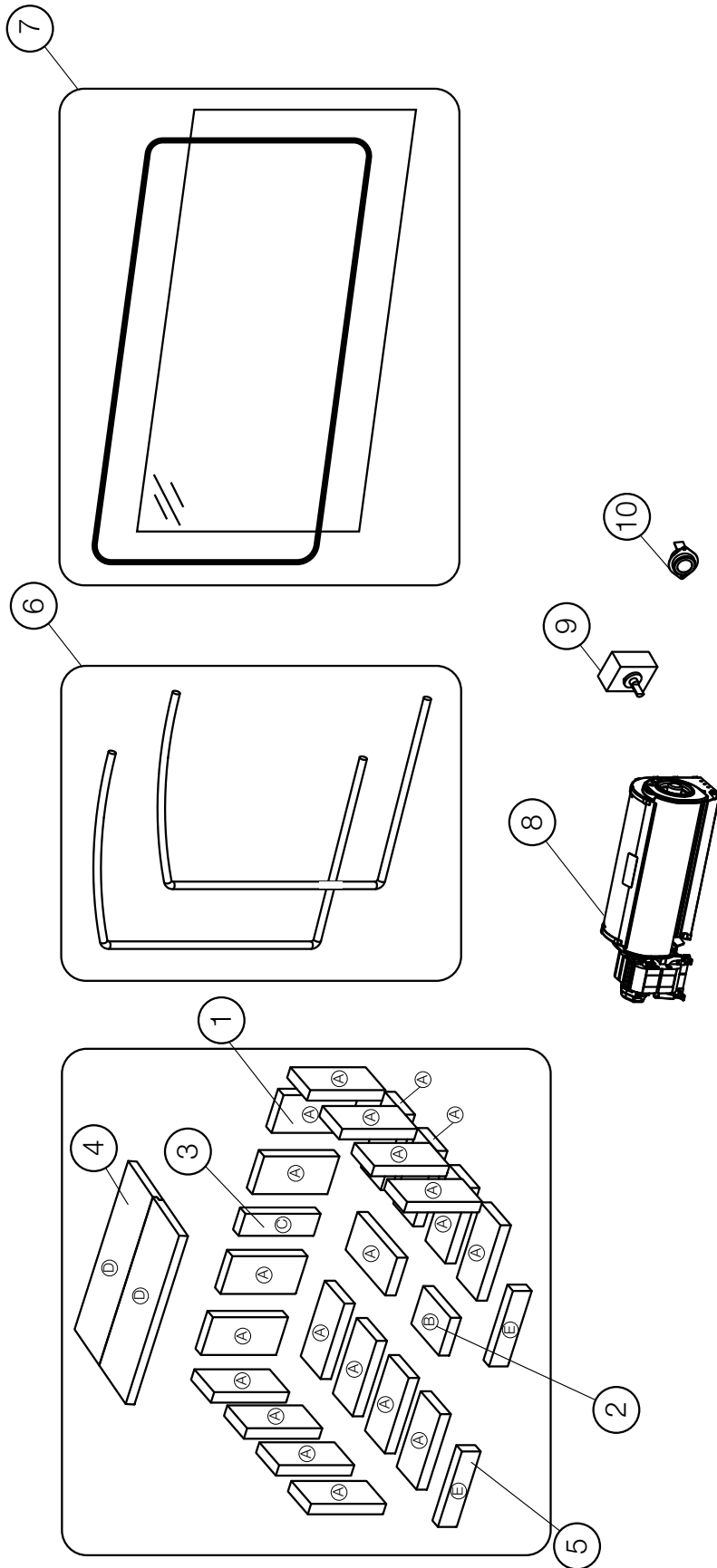
7.1 overview part 1



Items may not appear exactly as illustrated.

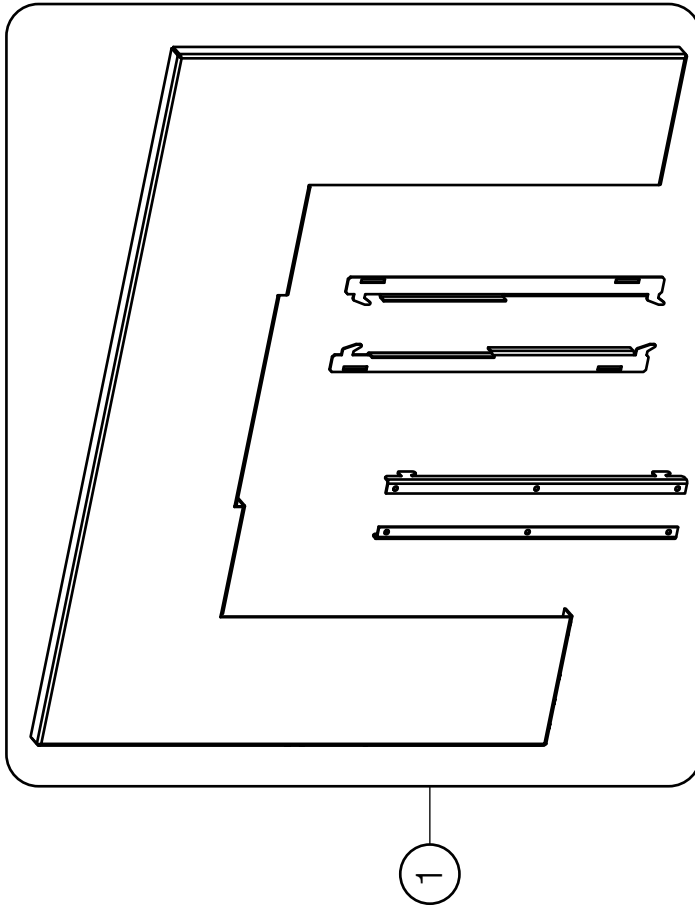
Ref. No.	Part Number	Description	Stocked
1	W010-4550	Assembly, door and glass	
2	W325-0103	Handle, front door	
3	W200-0785	Cover, primary air, lower	
4	W200-0784	Cover, primary air	
5	W380-0034	Knob, primary air control	
6	W010-4589	Assembly, air control	
7	W485-0053	Spring, adjustable cam hinge	Yes
Ref. No.	Part Number	Description	Stocked
8	W150-0128	Channel, blower air adjustable	
9	W485-0047	Pin, hairpin cotter	Yes
10	W720-0189	Tube, front secondary air	
11	W720-0190	Tube, secondary air (x3)	
12	W010-4597	Assembly, blower	
13	W585-0949	Shield, rear heat	
14	W500-1033	Blower mounting bracket	

7.2 overview part 2



Items may not appear exactly as illustrated.

Ref.	Part Number	Description	Stocked
1	W090-0338	Brick, 1.250 x 4.500 x 9.000 (A)	
2	W090-0340	Brick, 1.250 x 6.250 x 4.500 (B)	
3	W090-0341	Brick, 1.250 x 2.625 x 9.000 (C)	
4	W010-3564	Baffle, ceramic fibre (D)	Yes
5	W090-0339	Brick, 2.250 x 9.000 x 1.250 (E)	
6	W562-0002-SER	Assembly, door gasket	Yes
7	W300-0168-SER	Assembly, glass and gasket	Yes
8	W062-0077-SER	Blower, replacement (6.5" crossflow)	Yes
9	KB-35	Variable speed switch	Yes
10	W690-0002	Thermodisc (heat detector)	Yes



Items may not appear exactly as illustrated.

Ref. No.	Part Number	Description	Stocked
1	SCH1B3041	One piece charcoal backerplate	

## 9.0 troubleshooting

### WARNING

- Turn off the appliance completely and let cool before servicing. Only a qualified service person should service and repair this electric appliance.
- Appliance may be hot, do not service until appliance has cooled.
- Do not use abrasive cleaners.
- When checking connections, installing jumper wires (for test purposes only) or replacing components, unplug appliance from the receptacle to prevent electrical shock or damage to the component.

symptom	test solution
Can't get the fire started.	Not enough kindling / paper? Add more.
	Not enough air? Ensure air control is fully open. Also ensure that the air opening is not obstructed.
	Cold air blockage? Burn a piece of paper to establish a draft.
	Use dry seasoned wood with 20% moisture content.
	Flue blockage? Inspect chimney.
Smokes when door is open.	Cold air blockage? Burn a piece of paper to establish a draft.
	Insufficient draft? Add more pipe.
	Let air stabilize before opening door.
	Ensure baffles are positioned correctly.
	Negative pressure? Open a window near the appliance.
Appliance emits odour.	Paint curing, see "general instructions" section.
Stove doesn't burn hot enough.	Wood has more than 20% moisture.
	Insufficient draft? Add more pipe.
	Not enough air? Ensure air control is fully open. Also ensure that the air opening is not obstructed.
Wood burns too fast.	Air control may need to be adjusted down.
	Check to see ash plug is properly seated (if equipped).
	Check door gasket for adequate seal.
	Wood may be extremely dry.
Dirty glass.	Air control may be closed too far.
	Burn hotter, smaller fires.
	Use well seasoned wood with 20% moisture content.
Blower does not run.	Appliance may not be up to temperature.
	Ensure blower has power.

**Napoleon** Wood Appliances are manufactured under the strict Standard of the world recognized ISO 9001 : 2015 Quality Management System.

**Napoleon** products are designed with superior components and materials assembled by trained craftsmen who take great pride in their work. The complete appliance is again thoroughly inspected by a qualified technician before packaging to ensure that you, the customer, receives the quality product that you expect from **Napoleon**.

### **Napoleon Wood Appliances President's Lifetime Limited Warranty**

The following materials and workmanship in your new **Napoleon** Wood Appliance are warranted against defects for as long as you own the appliance. For pellet appliances this covers: the pellet hopper, outer shell, ceramic glass (thermal breakage only) and ash drawer.\* For wood appliances this covers: combustion chamber, heat exchanger, stainless steel baffle retainer, ceramic glass (thermal breakage only), gold plated parts against tarnishing, porcelainized enameled components, aluminum extrusion trims, vortex baffles, ash drawer and iron castings.\*

For pellet appliances, the combustion chamber and heat exchanger are warranted against defects for a period of 5 years. For wood appliances equipped with a guillotine door/screen system, they are warranted against defects for a period of 5 years.

Electrical (110V) components and wearable parts are covered and **Napoleon** will provide replacement parts free of charge during the first year of the limited warranty. For pellet appliances this covers: blowers, thermal switches and burn pot.\* For wood appliances this covers: blowers, thermal switch, switches, wiring, firebrick, secondary air tubes and gasketing.\*

Labour related to warranty repair is covered free of charge during the first year, with the exception of the guillotine door/screen system which will be warranted for a period of 3 years. Repair work, however, requires the prior approval of an authorized company official. Labour costs to the account of **Napoleon** are based on a predetermined rate schedule and any repair work must be done through an authorized **Napoleon** dealer.

For appliances that include firebricks and baffles, they should routinely be removed by the operator as part of the regular service and therefore, any warranty replacement of these parts does not qualify for any labour allowances.

\* Construction of models vary. Warranty applies only to components included with your specific appliance.

### **Conditions and Limitations**

**Napoleon** warrants its products against manufacturing defects to the original purchaser only. Registering your warranty is not necessary. Simply provide your proof of purchase along with the model and serial number to make a warranty claim. Provided that the purchase was made through an authorized **Napoleon** dealer, your appliance is subject to the following conditions and limitations:

Warranty coverage begins on the date of original installation. This factory warranty is non-transferable and may not be extended whatsoever by any of our representatives. The wood appliance must be installed by a qualified and authorized installer, service agency or supplier. Installation must be done in accordance with the installation instructions included with the product and all local and national building and fire codes. This limited warranty does not cover damages caused by misuse, lack of maintenance, accident, alterations, abuse or neglect. Operating the appliance on high for extended periods of time, is neglect. Parts installed from other manufacturers will nullify this warranty.

This limited warranty further does not cover any scratches, dents, corrosion or discoloring caused by excessive heat, abrasive and chemical cleaners nor chipping on porcelain enamel parts, nor any venting components used in the installation of the appliance. In the first year only, this warranty extends to the repair or replacement of warranted parts which are defective in material or workmanship provided that the product has been operated in accordance with the operation instructions and under normal conditions. After the first year, with respect to the President's Limited Lifetime Warranty,

**Napoleon** may, at its discretion, fully discharge all obligations with respect to this warranty by refunding to the original warranted purchaser the wholesale price of any warranted but defective parts. After the first year, **Napoleon** will not be responsible for installation, labour or any other costs or expenses related to the reinstallation of a warranted part, and such expenses are not covered by this warranty. Notwithstanding any provisions contained in the President's Limited Lifetime Warranty, **Napoleon's** responsibility under this warranty is defined as above and it shall not, in any event, extend to any incidental, consequential or indirect damages. This warranty defines the obligations and liability of **Napoleon** with respect to the **Napoleon** wood appliance and any other warranties expressed or implied with respect to this product, its components or accessories are excluded. **Napoleon** neither assumes, nor authorizes any third party to assume, on its behalf, any other liabilities with respect to the sale of this product. **Napoleon** will not be responsible for: over-firing, downdrafts, spillage caused by environmental conditions such as rooftops, buildings, nearby trees, hills, mountains, inadequate vents or ventilation, excessive venting configurations, insufficient makeup air, or negative air pressures which may or may not be caused by mechanical systems such as exhaust blowers, furnaces, clothes dryers, etc.

Any damages to appliance, combustion chamber, heat exchanger, brass trim or other component due to water, weather damage, long periods of dampness, condensation, damaging chemicals or cleaners will not be the responsibility of **Napoleon**. Regular cleaning of the fine ash generated during the operation of this appliance is a necessary part of maintaining your wood appliance. Failure of any components, which is attributed to poor maintenance, is not warrantable and will not be covered by this policy. **Napoleon** reserves the right to have its representative inspect any product or part thereof prior to honouring any warranty claim. All parts replaced under the President's Limited Lifetime Warranty Policy are subject to a single claim. During the first 10 years **Napoleon** will replace or repair the defective parts covered by the lifetime warranty at our discretion free of charge. From 10 years to life, **Napoleon** will provide replacement parts at 50% of the current retail price. All parts replaced under the warranty will be covered for a period of 90 days from the date of their installation. The manufacturer may require that defective parts or products be returned or that digital pictures be provided to support the claim. Returned products are to be shipped prepaid to the manufacturer for investigation. If a product is found to be defective, the manufacturer will repair or replace such defect. Before shipping your appliance or defective components, your dealer must obtain an authorization number. Any merchandise shipped without authorization will be refused and returned to sender. Shipping costs are not covered under this warranty. Additional service fees may apply if you are seeking warranty service from a dealer. Warranty labour allowance is only for the replacement of the warranted part. Travel, diagnostic tests, shipping and other related charges are not covered by this warranty and other related charges are not covered by this warranty.

All specifications and designed are subject to change without prior notice due to on-going product improvements. **Napoleon** is a registered trademark of Wolf Steel Ltd.

# NAPOLEON CELEBRATING OVER 40 YEARS OF HOME COMFORT PRODUCTS



7200, Route Transcanadienne, Montréal, Québec H4T 1A3  
24 Napoleon Road, Barrie, Ontario, Canada L4M 0G8  
214 Bayview Drive, Barrie, Ontario, Canada L4N 4Y8  
103 Miller Drive, Crittenden, Kentucky, USA 41030  
De Riemsdijk 22, 4004 LC Tiel, The Netherlands

Phone: 1-866-820-8686  
[napoleon.com](http://napoleon.com)



# MANUEL D'INSTALLATION ET D'OPÉRATION

S20i

**INSTALLATEUR:**

Laissez ce manuel avec l'appareil.

**PROPRIÉTAIRE:**

Conservez ce manuel pour consultation ultérieure.

**CONSIGNES DE SÉCURITÉ**

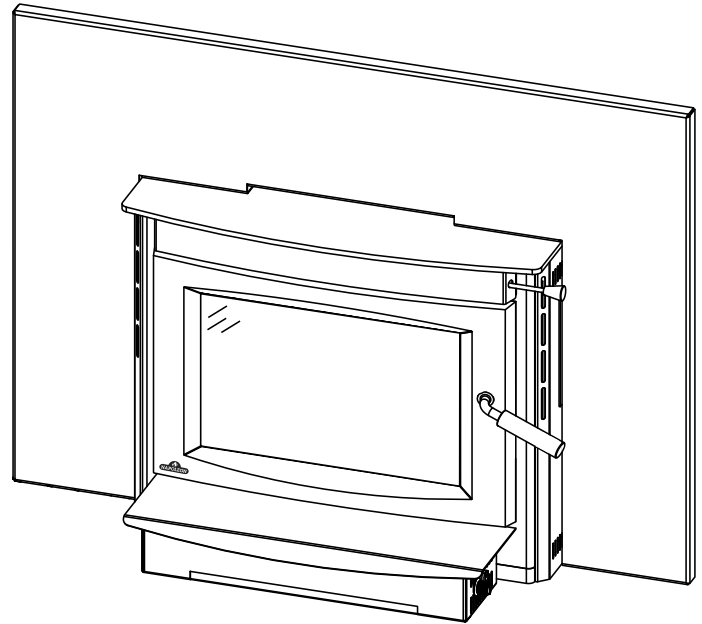
## ⚠ AVERTISSEMENT

Si ces instructions ne sont pas suivies à la lettre, un incendie ou une explosion pourraient s'ensuivre, causant des dommages matériels, des blessures corporelles ou des pertes de vie. Veuillez lire le manuel en entier avant d'installer et d'utiliser cet appareil. Cet appareil n'a pas été testé avec un ensemble de bûches à gaz non ventilées. Afin de réduire le risque d'incendie ou de blessure, n'installez pas d'ensemble de bûches à gaz non ventilées dans cet appareil.

- Cet appareil peut devenir très chaud lorsqu'il fonctionne.
- Les matériaux combustibles, tels que le bois de chauffage, les vêtements mouillés, etc. placés trop près de l'appareil pourraient prendre feu.
- Il faut empêcher les enfants et les animaux de toucher l'appareil quand il est chaud.
- La cheminée doit être en bon état et ne pas être fêlée. Avant d'installer cet appareil, contactez le service du bâtiment ou le service d'incendie de votre municipalité et suivez leurs directives.
- Faites fonctionner l'appareil seulement avec la porte (les portes) ou l'écran (s'il y a lieu) bien fermée.
- Brûlez le bois en arrière du pare-bûches, directement sur les briques réfractaires.
- N'utilisez pas un chenet et n'essayez pas de surélever le feu de quelque manière.
- Cet appareil a été conçu pour brûler seulement le bois naturel. Vous obtenez une meilleure efficacité et des émissions plus basses avec du bois dur séché à l'air qu'avec du bois résineux ou vert, ou du bois dur fraîchement coupé.
- N'allumez pas votre feu à l'aide de produits chimiques ou de liquides, tels que l'essence, de l'huile à moteur, etc.
- Ne brûlez pas de déchets, des résidus de tonte de pelouse, de caoutchouc, des produits pétroliers résiduels, de la peinture ou du diluant / de solvants, de plastique, des matériaux contenant de l'amiante, des débris de construction, des traverses de chemin de fer ou de bois traités, du fumier ou des restes d'animaux, du bois de grève imprégné de sel ou des matériaux salés, du bois non séché, de charbon, de papiers de couleur, de cartons, des contreplaqués ou des panneaux de particules. Brûler ces matériaux pourrait entraîner la libération de fumées toxiques ou rendre l'appareil inefficace et générer de la fumée.
- Ne laissez pas l'appareil chauffer au point où des parties deviennent rougeoyantes.

**Poêles à bois SEULEMENT**

- Au moins 14 pouces carrés (90,3 centimètre carrés) d'air extérieur doit être admis dans le pièce ou directement dans l'appareil par un conduit de 4 pouces (102mm) de diamètre.
- GARDEZ LA TEMPÉRATURE SUR LE DESSUS DE L'APPAREIL SOUS 700°F (371°C). Toute tentative d'atteindre débits maximaux de chaleur, pourrait provoquer la distorsion de l'acier et causer des dommages.

**POUR L'UTILISATION INTÉRIEUR SEULEMENT**

CERTIFIÉ SELON LES NORMES D'ÉMISSION DE PARTICULE DE 2020 DE L'AGENCE DE PROTECTION DE L'ENVIRONNEMENT AMÉRICAINE (E.P.A) EN UTILISANT DU BOIS DE CORDE. CET APPAREIL A ÉTÉ TESTÉ PAR POLYTESTS ET HOMOLOGUÉ PAR CSA GROUP À NORMES: ULC-S628, UL1482. ASTM E3053-17; ASTM E2515-11 MÉTHODES ALT-125 COMME RÉFÉRENCÉ DANS 40 CFR PARTIE 60 SOUS-PARTIE AAA. N° DE RÉFÉRENCE: 161746



Wolf Steel Ltd., 24 Napoleon Rd., Barrie, ON, L4M 0G8 Canada / 103 Miller Drive, Crittenden, Kentucky, USA, 41030  
Téléphone 1 (866) 820-8686 • www.napoleon.com • hearth@napoleon.com

# consignes de sécurité

FR

## **AVERTISSEMENT**

- Cet appareil est chaud lorsqu'il fonctionne et peut causer de graves brûlures en cas de contact.
- Toute modification apportée à cet appareil ou aux contrôles peut être dangereux et est interdit.
- Ne faites pas fonctionner l'appareil avant d'avoir lu et compris les instructions d'opération. Omettre d'utiliser l'appareil selon les instructions d'opération pourrait causer un incendie ou des blessures.
- Avant d'installer cet appareil, contactez les autorités locales du bâtiment ou le service des incendies et suivez leurs directives.
- Cet appareil doit être installé par un installateur qualifié. N'essayez jamais de réparer ou de remplacer les pièces de cet appareil à moins que des instructions soient fournies à cet effet dans ce manuel. Tout autre travail devrait être effectué par un technicien qualifié.
- Risque de brûlures. L'appareil doit être éteint et refroidi avant d'effectuer un entretien.
- Ne faites pas fonctionner tant que tous les composants ne sont pas complètement installés. N'installez pas de composants endommagés ou incomplets ni des composants substitués.
- Ne laissez pas l'appareil chauffer au point où des parties deviennent rougeoyantes.
- Risque de coupures et d'éraflures. Portez des gants protecteurs et des lunettes de sécurité lors de l'installation. Les bordures des pièces de métal peuvent être coupantes.
- Cet appareil doit être raccordé électriquement par un électricien qualifié conformément aux codes locaux. En l'absence de codes locaux, utilisez la version courante du code canadien de l'électricité CSA C22.1 au Canada ou le national electrical code ANSI/NFPA 70 aux États-Unis.
- Brûler votre appareil avec la porte de décharge de cendre ouvert crée un risque d'incendie qui peuvent entraîner une décoloration de la porte, les dommages internes à l'appareil ou un feu de cheminée.
- Cet appareil ne doit pas être raccordé au conduit d'une cheminée desservant un autre appareil.
- Les enfants et les adultes devraient être informés des dangers que posent les températures de surface élevées et se tenir à distance afin d'éviter des brûlures ou que leurs vêtements ne s'enflamment.
- Surveillez attentivement les jeunes enfants lorsqu'ils sont dans la même pièce que l'appareil. Les jeunes enfants et autres sont plus à risque de contacts accidentels causant des brûlures. Une barrière physique est conseillée lorsque qu'il y a des individus à risque dans la maison. Pour empêcher l'accès à un appareil ou un poêle, installez une barrière de sécurité pour garder les jeunes enfants et autres individus à risque hors de la pièce et éloignés des surfaces chaudes. Les vêtements et autres matériaux combustibles ne doivent pas être posés sur le foyer ou à proximité.
- En raison des températures élevées, le foyer devrait être placé loin des endroits passants et loin des meubles et des rideaux. Les objets placés devant l'appareil doivent être gardés à une distance d'au moins 4 pieds (1,2m) de l'avant de l'appareil.
- En raison des températures élevées, l'appareil devrait être placé loin des endroits passants et loin des meubles et des rideaux.
- Assurez-vous de disposer de mesures de sécurité adéquates pour empêcher les jeunes enfants de toucher aux surfaces chaudes.
- Même une fois que le foyer est éteint, la vitre et/ou le pare-étincelles demeureront chauds pendant un temps prolongé.
- Consultez votre détaillant local de foyer pour connaître les grillages de sécurité et les écrans offerts pour protéger les enfants des surfaces chaudes. Ces grillages de sécurité et ces écrans doivent être fixés au plancher.
- Les grillages de sécurité ou écrans enlevés pour faire l'entretien devront être remis en place avant d'utiliser l'appareil.
- Cet appareil ne devra être modifié en aucun cas.
- Cet appareil ne doit pas être raccordé au conduit d'une cheminée desservant un autre appareil de chauffage à combustible solide.
- Ne pas opérer l'appareil lorsque la porte vitrée est enlevée, fissurée ou brisée. Le remplacement de la vitre devra être effectué par un technicien de service certifié ou qualifié.
- Ne frappez pas et ne claquez pas la porte vitrée de l'appareil.
- Seulement les portes/façades certifiées pour cet appareil peuvent être utilisées avec cet appareil.



## AVERTISSEMENT

- Gardez les matériaux d'emballage hors de la portée des enfants et mettez ces matériaux au rebut de façon sécuritaire. Comme tous les emballages de plastique, ces matériaux ne sont pas des jouets et doivent demeurer hors de la portée des enfants et des bébés.
- Si cet appareil n'est pas installé de façon adéquate, un incendie pourrait s'ensuivre. N'exposez pas l'appareil aux éléments (p. ex. la pluie, etc.) et gardez-le au sec en tout temps. De l'isolant humide produira une odeur lorsque l'appareil est utilisé.
- La cheminée doit être en bon état et ne pas être fissurée. Nettoyez la cheminée au moins deux fois par année et lorsque nécessaire.
- N'allumez pas votre feu à l'aide de produits chimiques ou de liquides tels que de l'essence, de l'huile à moteur, etc.
- Votre appareil nécessite un entretien et un nettoyage périodiques. Négliger cet entretien peut causer des refoulements de fumée dans la maison.
- Les cendres doivent être mises dans un contenant métallique avec un couvercle hermétique et déposé sur une surface incombustible suffisamment éloigné de la maison ou de toute structure jusqu'à ce qu'elles soient complètement refroidies.
- Assurez-vous de respecter les dégagements aux matériaux combustibles lorsque vous installez un manteau ou des tablettes au-dessus de l'appareil. Les températures élevées sur le mur ou de l'air au-dessus de l'appareil peuvent faire fondre, décolorer ou endommager les décorations, les téléviseurs ou autres composants électroniques.

** AVERTISSEMENT: Ce produit peut vous exposer à des substances chimiques incluant le plomb et les composés de plomb qui, selon l'État de Californie, causeraient le cancer, et des substances chimiques incluant le monoxyde de carbone qui, selon l'État de Californie, causeraient des malformations congénitales ou autres dangers pour la reproduction. Pour de plus amples renseignements, visitez le [www.P65Warnings.ca.gov](http://www.P65Warnings.ca.gov).**

### **Pour les appareils de bois:**

- Vous obtenez une meilleure efficacité et des émissions plus basses avec du bois dur séché à l'air qu'avec du bois résineux ou vert, ou des bois durs fraîchement coupés. Brûler du bois vert ou humide peut causer des accumulations excessives de créosote. Lorsqu'elle est allumée, cette dernière peut causer un feu de cheminée et un incendie grave pourrait s'ensuivre.
- Cet appareil a été conçu pour brûler du bois naturel uniquement. Ne brûlez pas de déchets, des résidus de tonte de pelouse, de caoutchouc, des produits pétroliers résiduels, de la peinture ou du diluant / de solvants, de plastique, des matériaux contenant de l'amiante, des débris de construction, des traverses de chemin de fer ou de bois traités, du fumier ou des restes d'animaux, du bois de grève imprégné de sel ou des matériaux salés, du bois non séché, de charbon, de papiers de couleur, emballage-cadeau, de cartons, des contreplaqués ou des panneaux de particules. La combustion de ces matériaux peut entraîner la libération de fumées toxiques ou rendre l'appareil inefficace et causer de la fumée.
- Brûlez le bois directement sur les briques réfractaires. N'utilisez pas un chenet et n'essayez pas de surélever le feu de quelque manière.
- Ne rangez pas de bois à l'intérieur des dégagements prescrits ou à l'intérieur de la zone nécessaire pour procéder au ravitaillement ou à l'enlèvement des cendres.
- Si équipé, le catalyseur doit être installé et en bon état de fonctionnement. Il est recommandé que le catalyseur est inspecté au moins 3 fois par saison de chauffage.

# table de matières

FR

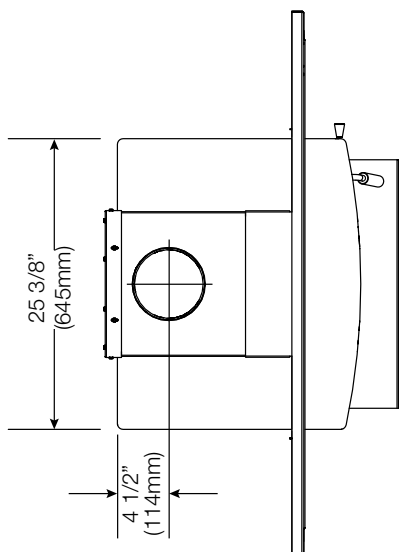
<b>1.0</b>	<b>information générale</b>	<b>43</b>
1.1	dimensions	43
1.2	spécifications	44
1.3	instructions générales	45
1.4	information générales	46
1.5	information à propos de plaque d'homologation	47
<b>2.0</b>	<b>planfication d'installation</b>	<b>48</b>
2.1	dégagements minimaux à matériaux combustibles	48
<b>3.0</b>	<b>installation</b>	<b>49</b>
3.1	typique dans une cheminée de maçonnerie existante	50
3.2	foyer préfabriqué	51
<b>4.0</b>	<b>finitions</b>	<b>52</b>
4.1	enlèvement de porte	52
4.2	ajustement de porte	53
4.3	installation de poignée de porte	54
4.4	tuyau d'air secondaire	55
4.5	installation de brique et déflecteur en fibre	56
4.6	installation de contour	57
4.7	emplacement de logo	57
4.8	installation de soufflerie	58
<b>5.0</b>	<b>fonctionnement</b>	<b>60</b>
5.1	méthode de combustion optimale	61
5.2	fonctionnement de soufflerie optionnelle	61
5.3	contrôle d'air	62
5.4	extincteurs et détecteurs de fumée / monoxyde de charbon	62
5.5	chargement de combustible	63
5.5.1	feu continue	64
5.6	enfumage	64
<b>6.0</b>	<b>entretien</b>	<b>65</b>
6.1	procédures d'enlèvement de cendres	65
6.2	formation et enlèvement de créosote	65
6.3	feu de cheminée ou feu hors contrôle	66
6.4	nettoyage de cheminée	66
6.5	remplacement de verre de porte	67
6.6	soins de verre	68
6.7	remplacement de joint d'étanchéité de porte	68
6.8	entretien ou remplacement de soufflerie	69
6.9	bois	70
<b>7.0</b>	<b>pièces de rechange</b>	<b>71</b>
7.1	vue d'ensemble partie 1	72
7.2	vue d'ensemble partie 2	73
<b>8.0</b>	<b>accessoires</b>	<b>74</b>
<b>9.0</b>	<b>guide de dépannage</b>	<b>75</b>
<b>10.0</b>	<b>garantie</b>	<b>76</b>

## note:

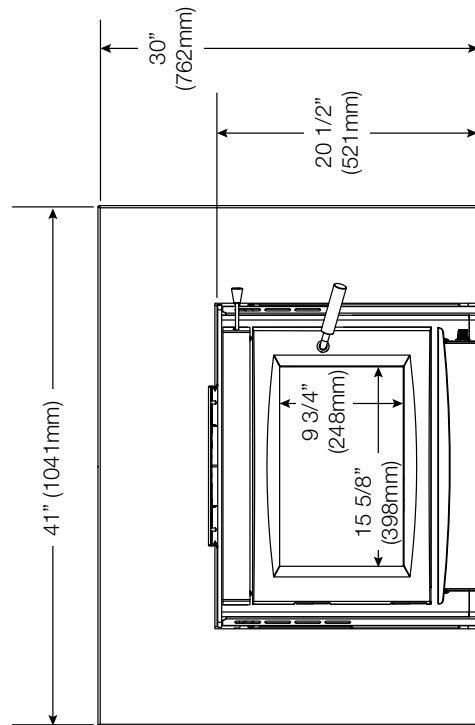
L'information contenue dans ce manuel est jugée correcte au moment de l'impression. Wolf Steel Ltée. se réserve le droit de modifier ou de modifier toute information contenue dans ce manuel à tout moment sans préavis. Les modifications, autre que les éditoriaux, sont désignées par une ligne verticale dans la marge.

## 1.1 dimensions

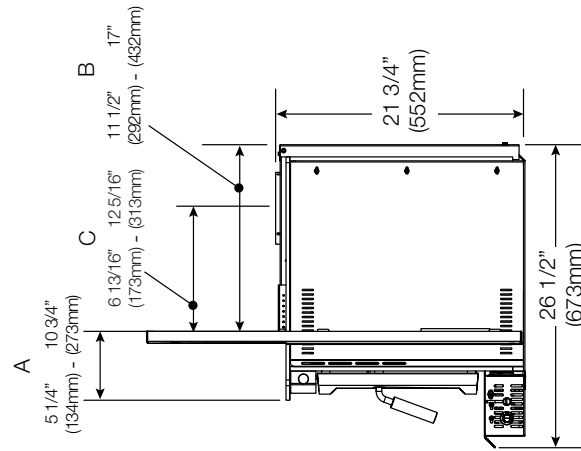
VUE DE DESSUS



VUE DE FACE



VUE DE CÔTÉ DROIT



**note:**

En raison d'un canal d'air ajustable, A, B et C sont réglables dans paliers de 3/8" (9,5mm) (voir la section « spécifications » pour les min et max).

Spécifications			
Émissions	2,25 grams / heure		
Efficacité	<b>Total</b>	<b>LHV</b>	<b>HHV</b>
	72,10%	77,54%	72,06%
Chambre de Combustion (P.H.L.)	14 5/8" x 20 7/8" x 11 5/8" (372mm x 530mm x 295mm)		
Dimensions de Vision	153 in <sup>2</sup> (987cm <sup>2</sup> )		
Capacité	1.9 pieds cubes (0.05 mètres cubes)		
Surface chauffé approx.**	800-1800 pi <sup>2</sup> (74-167m <sup>2</sup> )		
Débit de chaleur maximale***	65 000 BTU /Hr		
Débit de chaleur*	12 944 - 54 127 BTU /Hr		
Durée combustion lente**	8 heures		
Poids sans briques	225 lbs (102kg)		
Poids des briques	60 lbs (27kg)		
Longueur idéale de bûches	16" (406mm)		
Hauteur de tas minimum ****	15 pieds (4,5m)		
Norme d'efficacité	B415.1-10		
	<b>A</b>	<b>B</b>	<b>C</b>
Profondeur minimum	5 1/4" (134mm)	11 1/2" (292mm)	6 13/16" (173mm)
Profondeur maximum	10 3/4" (273mm)	17" (432mm)	12 5/16" (313mm)

\* Comme testé en utilisant la méthode de test ALT-125.

\*\* Ces données peuvent varier considérablement selon les conditions particulières.

\*\*\* BTU/hr réalistes estimés par Wolf Steel Ltée. avec des bûches de bois dur et un ravitaillement normal.

\*\*\*\* Requis afin d'atteindre un bon tirage.

## 1.3 instructions générales

### AVERTISSEMENT

- Cet appareil doit être raccordé électriquement par un électricien qualifié conformément aux codes locaux. En l'absence de codes locaux, utilisez la version courante du Code Canadien de l'Électricité CSA C22.1 au Canada ou le National Electrical Code ANSI/NFPA 70 aux États-Unis.
  - Faire fonctionner de votre appareil avec la chute à cendres ou la porte du tiroir à cendres ouverte ou entrouverte constitue un risque d'incendie qui peut causer des dommages internes à l'appareil, un incendie ou une feu de cheminée.
  - Ne raccordez pas cet appareil au conduit d'une cheminée desservant un autre appareil. Ne raccordez à aucun autre conduit ou système de distribution d'air.
  - Prévoyez un accès suffisant pour entretenir et opérer l'appareil.
  - Assurez-vous d'une quantité d'air suffisante.
  - N'obstruez jamais l'ouverture sur le devant de l'appareil.
  - Les objets placés devant l'appareil doivent être gardés à une distance minimale de 48" (121,9cm) de la face avant de l'appareil.
  - N'installez pas cet appareil dans une maison mobile.
- 
- Avant d'installer cet appareil, contactez les autorités locales en bâtiment ou le service des incendies et votre compagnie d'assurance afin de vous conformer à leurs directives.
  - De la fumée non toxique émanera de l'appareil lors du processus de cuisson de la peinture. Ouvrez une fenêtre à proximité de l'appareil pour aider à dissiper la fumée.
  - Enlevez la poussière ou les débris sur le dessus de l'appareil avant de l'allumer car le peinture ramollira pendant que l'appareil se réchauffe et durcira pendant le processus de cuisson. Pour cuire la peinture, faites brûler l'appareil à feu modéré durant les quelques premiers allumages.
  - Pour empêcher le joint d'étanchéité de coller à l'appareil lors de la cuisson de la peinture, ouvrez la porte de l'appareil toutes les 5-10 minutes.
  - Durant les deux premières semaines, faites brûler l'appareil avec beaucoup de bois et ouvrez le contrôle de combustion au maximum pendant une heure pour permettre à l'appareil d'éliminer toute humidité dans l'acier et les briques réfractaires. La production de chaleur initiale sera réduite alors que l'humidité est chassée de l'appareil. Il sera nécessaire de faire plusieurs feux chauds pour éliminer cette humidité. **LORS DE CE PROCESSUS, NE SURCHAUFFEZ PAS L'APPAREIL. RÉDUISEZ L'APPORT D'AIR À L'APPAREIL SI CELUI-CI OU LA CHEMINÉE DEVIENNENT ROUGEYANTS.**

# information générale

FR

## 1.4 information générales

Votre appareil a été conçu afin de répondre spécifiquement aux exigences des normes d'émissions de particules de l'É.P.A. Américaine de 2020 pour bois de corde et a subi un nombre considérable de tests dans les laboratoires Canadiens. Ce système est le plus efficace, le plus simple, et sans problème connu; il fonctionne comme suit:

Votre appareil utilise exactement la même technologie de combustion propre qui se trouve dans tous les poêles Napoléon certifiés EPA. Des modifications externes ont été apportées afin de permettre une installation comme « encastré fonctionnel » avec une soufflerie ainsi qu'en enfermant la cavité du foyer en maçonnerie pour assurer une efficacité de chauffage accrue.

Votre appareil doit être installé dans un foyer à combustible solide d'au moins 14" (356mm) de profondeur, 25 7/8" (657mm) de largeur, et 22" (559mm) de hauteur, raccordé à un système de cheminée gainée approuvé d'au moins 15 pieds (4,6m) de hauteur et ayant une base de protection de 18" (457mm). Cette profondeur minimale peut seulement être atteinte si la hauteur de l'ouverture est suffisante pour permettre au connecteur d'être installé sous la façade incombustible. La fabrication de l'appareil et de la cheminée doit être conforme aux normes des codes du bâtiment locaux et nationaux.

Pour favoriser la circulation adéquate des produits d'échappement, le système d'évacuation de la cheminée de l'appareil au bois doit être conçu de façon à minimiser les déviations. Les systèmes d'évacuation trop courts ou trop longs peuvent nuire à la circulation des produits d'échappement.

L'appareil au bois et le système d'évacuation de la cheminée doivent bénéficier d'un apport d'air comburant suffisant, non seulement pour alimenter la flamme dans la chambre de combustion, mais aussi pour favoriser un tirage adéquat. Un bon équilibre entre l'air comburant et le système d'évacuation de la cheminée optimisera la performance de votre appareil.

L'air secondaire pénètre par l'ouverture arrière, monte par l'arrière le long du tuyau d'air secondaire, jusqu'au collecteur installé au sommet, où l'air est propulsé latéralement pour oxyder les gaz sous la sortie de fumée.

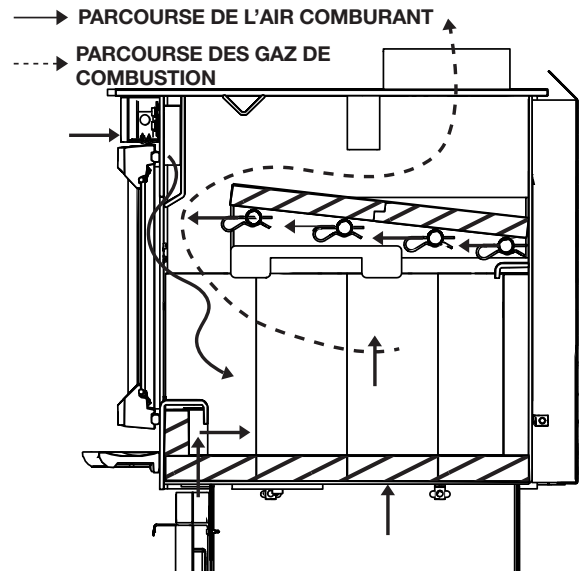
La chambre de combustion inférieure est revêtue de briques réfractaires à haute température sur deux côtés, l'arrière et le plancher. Le plafond est revêtu de déflecteurs en fibre afin de maintenir une température élevée dans la chambre de combustion. Ainsi, les gaz qui se mélangent à l'air préchauffé dans le tuyau d'air secondaire s'allument et brûlent facilement. Les côtés et l'arrière de l'appareil sont munis d'une deuxième paroi de façon à diriger la chaleur vers le haut et vers l'avant dans la pièce.

Assurez-vous qu'il y ait suffisamment d'air comburant. Dans la maison, beaucoup d'appareils doivent se partager l'air disponible, tels: les hottes de cuisinière, les systèmes de chauffage à l'air pulsé, ou les ventilateurs de salle de bain.

Les bruits causés par l'expansion et la contraction lors des cycles de chauffage et de refroidissement sont tout à fait normaux et il faut s'y attendre.

Après de longues périodes sans utiliser l'appareil, tels qu'à la suite de vacances ou à la fin de l'été, il se peut qu'une légère odeur se dégage pendant quelques heures. Ceci est causé par des particules de poussière brûlant sur la chambre de combustion. Ouvrez une fenêtre afin d'aérer la pièce de manière suffisante.

Si vous rencontrez quelques problèmes avec la fumée, vous devrez peut-être ouvrir une porte, une fenêtre, ou autrement fournir une méthode de fournir l'appareil avec l'air comburant.



Nous suggérons que nos poêles à bois soient installés et entretenus par des professionnels certifiés aux États-Unis par le National Fireplace Institute® (NFI) et au Canada par le Wood Energy Technical Training (WETT).




1.5 information à propos de plaque d'homologation

Cette illustration est à titre de référence seulement. Consultez la plaque d'homologation pour obtenir l'information précis.

**note:**

La plaque d'homologation doit restée avec l'appareil à tout instant. Elle ne doit pas être enlevée.



**C US**  
REFERENCE #: 161746

**LISTED SOLID FUEL BURNING FIREPLACE INSERT ENCASTRÉ À COMBUSTIBLE SOLIDE HOMOLOGUÉ**  
**TESTED TO: / TESTÉ SELON: UL1482 - 2011 / ULC S628 - 1993**  
**MODEL / MODELE: S20i / T20i**

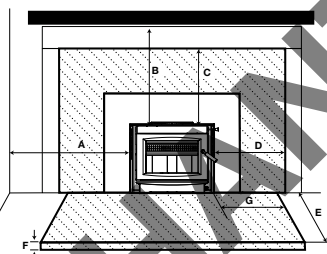
POUR INSTALLATION ET UTILISATION CONFORMÉMENT AUX INSTRUCTIONS DU FABRICANT ET AUX CODES LOCAUX DU BÂTIMENT.  
**HAUTEUR DE PLAFOND MINIMAL: 7P1 (2.13m).**  
**BASE DE PROTECTION/PROTECTION DE PLANCHER:** DOIT ÊTRE DE NATURE INCOMBUSTIBLE ET SE PROLONGER DE 22" À L'AVANT DE L'ENCASTRÉ ET 8" SUR LES CÔTÉS, ET AVOIR UNE ÉPAISSEUR MINIMALE DE 1" (K = 0.84).  
**TYPE DE CHEMINÉE:** DIAMÈTRE MINIMAL DE 6" (152mm) APPROUVÉE POUR USAGE RÉSIDENTIEL. POUR MAISON MOBILE, EMPLOYEZ UNE CHEMINÉE HOMOLOGUÉE ULC S629 AU CANADA OU UL 103HT AUX ÉTATS-UNIS.

NE RIEN ENTREPOSER SOUS L'APPAREIL. DES MÉTHODES SPÉCIALES SONT REQUISES LORSQU'UNE CHEMINÉE TRAVERSE UN MUR OU UN PLAFOND. VOIR LES INSTRUCTIONS ET LES CODES DU BÂTIMENT. NE PAS RACCORDER À LA CHEMINÉE D'UN AUTRE APPAREIL.  
**AVERTISSEMENT:** POUR USAGE AVEC LE BOIS SEULEMENT. NE BRÛLEZ PAS AUCUNE AUTRE TYPE DE COMBUSTIBLE. N'UTILISEZ PAS DE CHENET OU NE SURÉLEVEZ PAS LE BOIS. PRÉPAREZ LE FEU DIRECTEMENT SUR L'ÂTRE.  
**AVERTISSEMENT:** RISQUE D'ÉCHAPPEMENT DE FUMÉE. TENIR LA PORTE FERMÉE LORSQUE LE POÊLE FONCTIONNE. REMPLACEZ LA VITRE PAR UNE VITRE EN CÉRAMIQUE SEULEMENT. NE SURCHAUFFEZ PAS L'APPAREIL. SI L'APPAREIL OU LES RACCORDS ROUGEJOIENT, L'APPAREIL SURCHAUFFÉ, INSPECTEZ ET NETTOYEZ LA CHEMINÉE FRÉQUEMMENT DANS CERTAINES CONDITIONS, DES DÉPÔTS DE CRÉOSOTE PEUVENT SE FORMER RAPIDEMENT.  
**DANGER:** RISQUE DE SECOURS ÉLECTRIQUE. DÉBRANCHEZ AVANT DE PROCÉDER À L'ENTRETIEN.  
**ENCASTRÉ:** INSTALLEZ ET UTILISEZ SEULEMENT DANS UN FOYER À COMBUSTIBLE SOLIDE. NE RETIREZ PAS DE MORTIER, NI BRIQUES DU FOYER À COMBUSTIBLE SOLIDE. INSTALLEZ AVEC UNE GAINÉ CONFORME ET UNE PLAQUE DE RECouvreMENT.  
PENSÉZ-VOUS AUPRÈS DES AUTORITÉS LOCALES DU BÂTIMENT EN DU SERVICE DES INCENDIES AU SUJET DES RESTRICTIONS ET DES INSPECTIONS D'INSTALLATION DANS VOTRE RÉGION.  
UN DÉGAGEMENT MINIMAL DE 18" (457mm) JUSQU'AU RACCORD DE LA CHEMINÉE PEUT ÊTRE EXIGÉ PAR L'AUTORITÉ AVANT JURIDICTION.  
THIS WOOD HEATER NEEDS PERIODIC INSPECTION AND REPAIR FOR PROPER OPERATION. CONSULT THE OWNER'S MANUAL FOR FURTHER INFORMATION. IT IS AGAINST FEDERAL REGULATIONS TO OPERATE THIS WOOD HEATER IN A MANNER INCONSISTENT WITH THE OPERATING INSTRUCTIONS IN THE OWNER'S MANUAL. / CE POÊLE À BOIS DOIT ÊTRE INSPECTÉ PÉRIODIQUEMENT ET RÉPARÉ POUR UN FONCTIONNEMENT CORRECT. CONSULTEZ LE MANUEL DU PROPRIÉTAIRE POUR PLUS D'INFORMATIONS. IL EST CONTRE LE RÉGLEMENTS FÉDÉRAUX POUR FAIRE FONCTIONNER CE POÊLE À BOIS D'UNE MANIÈRE INCOMPATIBLE AVEC LES INSTRUCTIONS DE FONCTIONNEMENT DANS LE MANUEL DU PROPRIÉTAIRE.

INSTALL AND USE ONLY IN ACCORDANCE WITH THE MANUFACTURER'S INSTRUCTIONS AND LOCAL BUILDING CODES.  
**MINIMUM CEILING HEIGHT:** 7FT (2.13m)  
**HEARTH EXTENSION / FLOOR PROTECTION:** MUST BE NON-COMBUSTIBLE AND EXTEND 22" IN FRONT OF THE INSERT AND 8" ON BOTH SIDES WITH A MINIMUM THICKNESS OF 1" (K=0.84).  
**CHIMNEY TYPE:** MINIMUM 6" (152mm) DIAMETER APPROVED RESIDENTIAL TYPE. FOR MOBILE HOME, USE A CHIMNEY LISTED TO ULC S629 IN CANADA OR UL 103HT IN THE USA.

DO NOT OBSTRUCT SPACE UNDER HEATER. SPECIAL METHODS ARE REQUIRED WHEN PASSING A CHIMNEY THROUGH A WALL OR CEILING. SEE INSTRUCTIONS AND BUILDING CODES.  
DO NOT CONNECT THIS APPLIANCE TO A CHIMNEY FLUE SERVING ANOTHER APPLIANCE.  
**WARNING:** FOR USE WITH SOLID WOOD FUEL ONLY. DO NOT BURN ANY OTHER TYPE OF FUEL. DO NOT USE GRATE OR ELEVATE FIRE. BUILD WOOD FIRE DIRECTLY ON HEARTH.  
**WARNING:** RISK OF SMOKE SPILLAGE. OPERATE ONLY WITH DOOR FULLY CLOSED.  
REPLACE GLASS ONLY WITH CERAMIC GLASS.  
DO NOT OVERFIRE. IF HEATER OR CHIMNEY CONNECTORS GLOW, YOU ARE OVERFIRING. INSPECT AND CLEAN CHIMNEY FREQUENTLY. UNDER CERTAIN CONDITIONS OF USE CREOSOTE BUILD-UP MAY OCCUR RAPIDLY.  
**DANGER:** RISK OF ELECTRICAL SHOCK. DISCONNECT POWER BEFORE SERVICING APPLIANCE.  
**INSERT:** INSTALL AND USE ONLY IN SOLID FUEL BURNING FIREPLACES. DO NOT REMOVE BRICKS OR MORTAR FROM SOLID FUEL BURNING FIREPLACE. INSTALL WITH A POSITIVE FLUE CONNECTOR AND FACEPLATE.


CONTACT LOCAL BUILDING FIRE OFFICIALS ABOUT RESTRICTIONS AND INSTALLATION INSPECTION IN YOUR AREA.  
A MINIMUM CLEARANCE OF 18" (457mm) TO THE CHIMNEY CONNECTOR MAY BE REQUIRED BY THE AUTHORITY HAVING JURISDICTION.



**CLEARANCE TO COMBUSTIBLE CONSTRUCTION / DÉGAGEMENTS AUX MATÉRIAUX COMBUSTIBLES: (MEASURED TO APPLIANCE / À PARTIR DE L'APPAREIL)**

APPLIANCE / APPAREIL	ADJACENT SIDE WALL (TO SIDE) / MUR LATÉRAL ADJACENT (AU CÔTÉ) A	MANTLE (TO TOP) / MANTEAU (JUSQU'AU DESSUS) B	TOP FACING (TO TOP) / HAUT DE LA FAÇADE (JUSQU'AU DESSUS) C	SIDE FACING (TO SIDE) / CÔTÉ DE LA FAÇADE (AU CÔTÉ) D	MINIMUM HEARTH EXTENSION / BASE DE PROTECTION MINIMALE E	MINIMUM HEARTH THICKNESS / ÉPAISSEUR MINIMALE DE LA BASE DE PROTECTION F	MINIMUM HEARTH SIDE EXTENSION / BADE DE PROTECTION LATÉRALE MINIMALE G
S20i / T20i	16"	30"	22"	10"	22"	1"	8"

MANUFACTURE DATE: / DATE DE FABRICATION:  
YEAR/ANNÉE:  2019  2020  2021  2022  2023  2024  
MONTH/MOIS:  1  2  3  4  5  6  7  8  9  10  11  12



**CAUTION:** -HOT WHILE IN OPERATION. DO NOT TOUCH. KEEP CHILDREN, CLOTHING AND FURNITURE AWAY. CONTACT MAY CAUSE SKIN BURNS.

**ATTENTION:** QUAND L'APPAREIL FONCTIONNE, LA SURFACE DEVIENT CHAUDE. NE PAS TOUCHER. TENIR LES ENFANTS, LES VÊTEMENTS ET LES MEUBLES À L'ÉCART. LE CONTACT PEUT CAUSER DES BRÛLURES À LA PEAU.

**WOLF STEEL LTD.** ■  
24 NAPOLEON ROAD,  
BARRIE, ON, L4M 0G8 CANADA

**WOLF STEEL USA** ■  
103 MILLER DRIVE  
CRITTENDEN, KY, 401030 USA

**NAC GUANGZHOU P.R.C.** ■  
NO.69 HEFENG ROAD,  
GUANGZHOU, CHINA

**U.S. ENVIRONMENTAL PROTECTION AGENCY** Certified to comply with 2020 particulate emission standards using cordwood. Certifié conforme à la norme d'émission de particules de 2020 en utilisant bois de corde. 40 CFR Part 60, Subpart AAA 2.25 Grams Per Hour / 2020 Cordwood / 2.25 Grammes par heure / Bois de Corde 2020. Overall Efficiency/Efficacité Total: 72.1% || LHV: 77.54% || HHV: 72.06%

**S20i / T20i**

W385-4534 / B

## 2.0 planification d'installation

FR

Débarrassez l'intérieur du foyer de toutes ses cendres. Assurez-vous que la cheminée et le foyer sont exempts de fissures, de mortier lâche, de dépôts de crésote, d'obstructions ou d'autres signes de détérioration. Si nécessaire, faites effectuer toutes les réparations par un professionnel avant d'installer l'encastré.

**NE RETIREZ PAS** de mortier ni de briques du foyer en maçonnerie. S'il y a une prise d'air extérieur ou une chute à cendres, remplissez-les avec de l'isolant en fibre de verre. Maintenez les dégagements minimaux aux matériaux combustibles tel qu'illustré.

Les matériaux combustibles ne doivent pas empiéter sur plus de 1" (25mm) de chaque côté de l'encastré ou entre la tablette décorative et le dessus de l'encastré.

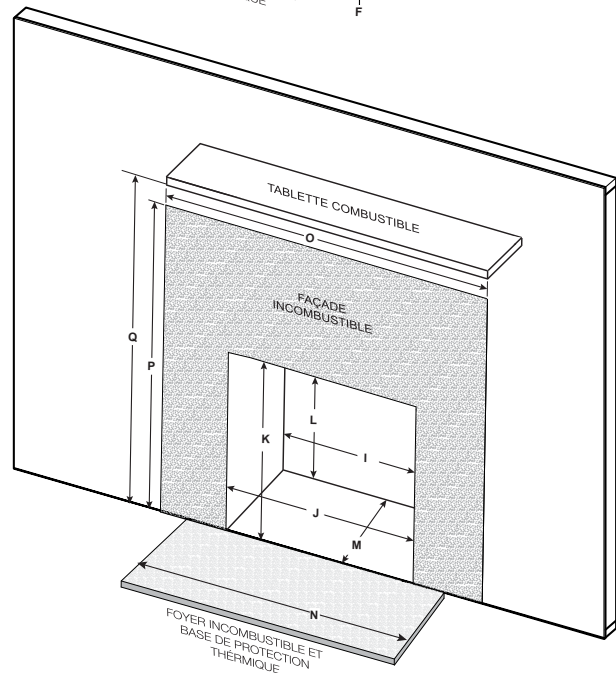
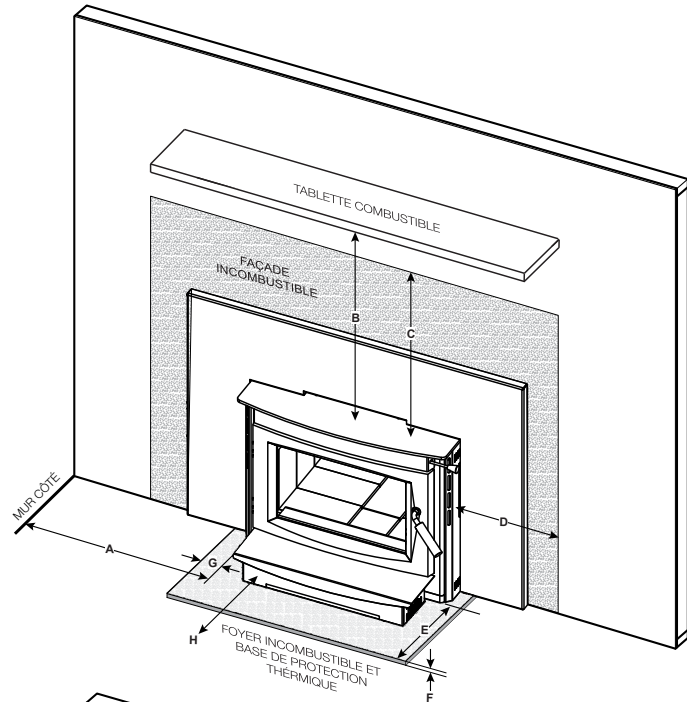
### 2.1 dégagements minimaux à matériaux combustibles

DÉGAGEMENTS MINIMAUX		
<b>A</b>	Mur de côté	16" (406mm)
<b>B</b>	Tablette	30" (762mm)
<b>C</b>	Façade supérieure	22" (559mm)
<b>D</b>	Façade latérale	10" (254mm)
<b>E</b>	Base de protection (avant)	22" (559mm)
<b>F</b>	Épaisseur minimale de la base de protection	1" (25mm)
<b>G</b>	Base de protection (côté)	8" (203mm)
<b>H</b>	Devant de l'encastré	48" (1219mm)
DIMENSIONS MINIMALE DE FOYER EXISTANTE		
<b>I</b>	Largeur (arrière)	25 7/8" (657mm)
<b>J</b>	Largeur (avant)	
<b>K</b>	Hauteur (avant)	22" (559mm)
<b>L</b>	Hauteur (arrière)	
<b>M</b>	Profondeur	14" (356mm)
<b>N</b>	Largeur de la base de protection	41 3/8" (1051mm)
<b>O</b>	Largeur de la façade	45 3/8" (1153mm)
<b>P</b>	Hauteur de la façade	42 5/8" (1083mm)
<b>Q</b>	Tablette	50 5/8" (1286mm)

#### **BASE DE PROTECTION:**

Doit être incombustible et étendre 22" (559mm) en avant de l'encastré et 8" (203mm) sur les deux côtés, avec une épaisseur minimum de 1" (25mm) et un facteur de conductivité thermique de (K) 0.84.

Il est possible de réduire les dégagements à l'aide d'un protecteur conforme aux normes des autorités locales. Une installation réduite doit être conforme aux normes NFPA 211 ou au CAN/CSA B365.



### AVERTISSEMENT

- Portez des gants, chaussures et des lunettes de protection.
- Suivez attentivement les instructions pour l'assemblage de la cheminée et des autres composants nécessaires à l'installation de l'appareil. Toute omission pourrait causer un incendie, particulièrement si des matériaux combustibles sont trop près de l'appareil ou de la cheminée et que des ouvertures d'air sont bloquées, empêchant la libre circulation de l'air de refroidissement.
- N'installez pas la prise d'air extérieur dans le garage. Les produits d'échappement provenant des moteurs à essence sont dangereux. N'installez pas la prise d'air extérieur dans un grenier, un sous-sol ou au-dessus du toit où d'autres appareils de chauffage, des ventilateurs et des cheminées évacuent ou tirent de l'air. Ces mesures réduiront les possibilités de refoulement du fumée ou une inversion du débit d'air. L'entrée de la prise d'air doit demeurer dégagée de feuilles, de débris, de glave ou de neige. Elle doit être dégagée lorsque l'appareil fonctionne afin que la pièce ne soit pas privée d'air, ce qui peut causer des refoulements de fumée ou une incapacité à maintenir un feu. Les refoulements de fumée peuvent aussi déclencher les détecteurs de fumée.
- Une pression négative dans la maison pourrait nuire au rendement de l'appareil.
- Afin d'éviter tout contact avec de l'isolant qui s'affaisse, l'appareil ne doit pas être installé contre un coupe-vapeur ou de l'isolant à découvert. Une surchauffe localisée peut survenir et un incendie pourrait s'ensuivre.
- N'utilisez pas de compromis de fortune lors de l'installation. N'obstruez pas, entièrement ni partiellement, les ouvertures d'air, les grilles ou les persiennes. N'ajoutez pas de hotte.
- Pour prévenir des blessures, gardez vos outils à main en bon état, affutez les tranchants et assurez-vous que les manches sont solides. En tout temps, conservez l'espace vide minimal requis à l'enceinte afin de prévenir les incendies.
- Vérifiez avec les responsables de la construction locale pour les permis requis pour l'installation de cet appareil et notifié votre compagnie d'assurance avant de procéder.

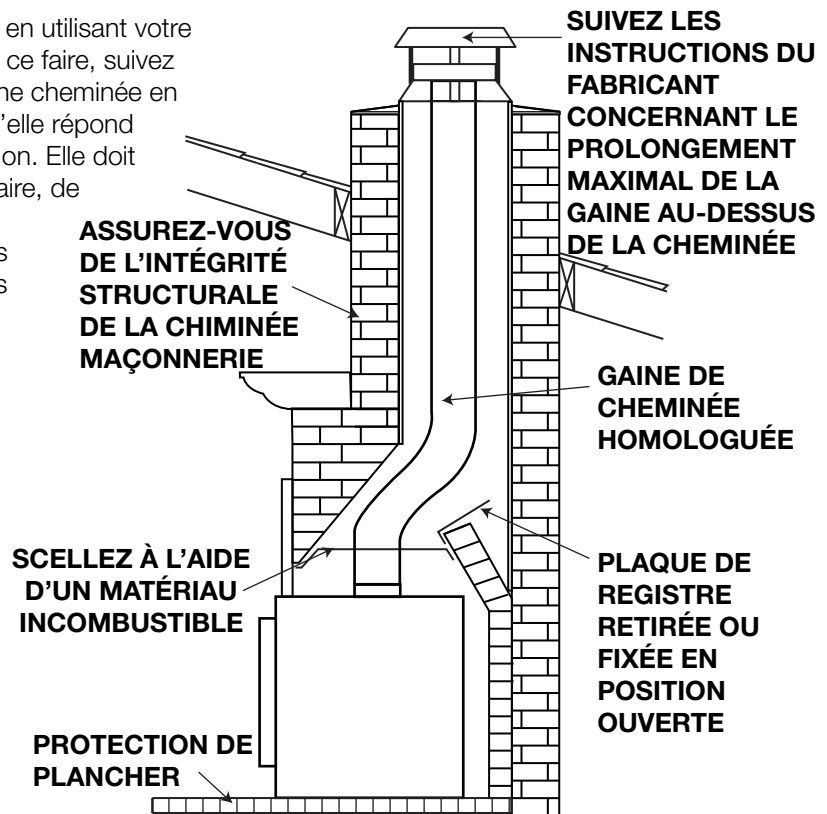
Il est extrêmement important que l'appareil soit installé selon les spécifications du fabricant. Les directives d'installations du fabricant et les dégagements spécifiés doivent toujours être respectés en fonction des normes locales et nationales. Conformez-vous aux codes d'installation CSA B365 et CSA C22.1 au Canada et aux codes ANSI NFPA 70 et ANSI NFPA 211 aux États-Unis.

La cheminée et le conduit de raccordement doivent être gardés en bonne condition et propres.

# installation

## FR 3.1 typique dans une cheminée de maçonnerie existante

Vous pouvez aussi installer votre appareil en utilisant votre cheminée de maçonnerie existante. Pour ce faire, suivez les directives suivantes. Si vous utilisez une cheminée en maçonnerie, vous devez vous assurer qu'elle répond aux normes de construction de votre région. Elle doit être construite de briques d'argile réfractaire, de tuiles de métal ou d'argile cimentées ensemble avec du ciment réfractaire. (Les conduits de cheminée ronds sont les plus efficaces.)



- A. Retirez le registre du foyer ou fixez-le en position ouverte de façon permanente.  
\* Nous recommandons la méthode suivante pour sceller la section du registre autour de la gaine.
- B. \* Mesurez la gorge du foyer, puis tracez sa forme sur un morceau de tôle de calibre 24 (couvre-ciel de carneau). Découpez une ouverture de six pouces (6,75" / 171mm) de diamètre, afin qu'elle repose directement sous l'ouverture du carneau de foyer. Allouez un surplus de deux pouces de matériel de tous les côtés pour les brides et découpez selon ces dimensions. Pliez les brides vers le bas. Si n'est la première fois que vous faites ceci, il serait bon de faire d'abord un modèle en carton et de le tester. Placez le couvercle en position, aussi haut que possible, à l'aide de deux vis à maçonnerie fixées au foyer de chaque côté du couvercle, à travers les brides.

**Au Canada:** Passez une gaine flexible en acier inoxydable de 6" (152mm) de diamètre, du haut de la cheminée au collet de la base de l'appareil. Placez un raccord ou un coude en acier inoxydable sur la gaine et insérez-le sur le collet de la base de l'appareil. Fixez à l'aide de trois vis. Fixez le haut de la gaine au chapeau de la cheminée à l'aide d'un support de gaine et d'un solin pour cheminée. Protégez le haut de la cheminée avec un chapeau certifié.

### note:

Cet encastré doit être installé avec un conduit de raccordement de cheminée continu de 6" (152mm) en diamètre, qui s'étend de l'encastré au haut de la cheminée. Le conduit de raccordement de cheminée doit conformer aux exigences Class 3 de CAN/ULC-S635, Standard for Lining Systems for Existing Masonry or Factory-Built Chimneys and Vents, ou CAN/ULC-S640, Standard for Lining Systems for New Masonry Chimneys.

**Aux États-Unis:** Même si ce n'est pas obligatoire, il est conseillé que la gaine de cheminée soit continue entre l'encastré et le sommet de la cheminée, particulièrement lorsque l'encastré est installé dans un sous-sol. Pour ce genre de raccordement, reportez-vous aux instructions d'installation « Au Canada » ci-dessus. Si une gaine continue n'est pas installée, un raccordement direct à la buse de l'appareil doit être installé. Un raccordement direct à la buse requiert qu'un conduit incombustible soit installé de l'encastré jusque dans le conduit de la cheminée et que le couvercle de carneau installé soit scellé sous le point d'entrée du raccord afin de prévenir la dilution des produits de combustion, dans le conduit de la cheminée, avec l'air à l'intérieur de la maison. Protégez le haut de la cheminée avec un chapeau certifié.

Les contraintes d'installation suivantes doivent être respectées lorsque vous installez un encastré à combustible solide dans un foyer préfabriqué.

## 3.2 foyer préfabriqué

Les contraintes d'installation suivantes doivent être observées lorsque vous installez des encastrés à combustible solide dans des foyers préfabriqués.

- A. Le foyer préfabriqué doit être homologué selon les normes UL 127 ou ULC S610.
- B. Les dégagements aux matériaux combustibles entourant l'encastré doivent être respectés, comme démontré. Ces contraintes de dégagement remplacent toutes les autres contraintes de dégagement préexistantes pour les foyers préfabriqués.
- C. L'installation doit inclure une cheminée pleine longueur homologuée, respectant les contraintes de hautes températures (2100°F/1149°C) selon la norme UL 1777 (États-Unis) ou la norme ULC S635 (Canada). La gaine doit être solidement fixée à la buse de l'encastré et au sommet de la cheminée.
- D. Des mesures doivent être prises afin d'empêcher le passage de l'air de la pièce dans la cavité du foyer. Ceci peut être accompli en scellant la région du registre autour de la gaine de la cheminée ou en scellant la façade du foyer.
- E. L'installation de l'encastré ne doit pas modifier la circulation d'air à l'intérieur ou autour de l'appareil (c.-à-d. les persiennes, la prise d'air et la sortie d'air doivent être libres de toutes obstructions), à moins d'avoir été testés et approuvés par le fabricant spécifiquement pour chaque modèle.

**note:**

L'utilisation d'une façade à persiennes respecte cette exigence.

- F. Aucune modification à l'appareil n'est permise, à l'exception des cases suivants :
  - A. Des moulures extérieures qui n'affectent pas le fonctionnement de l'appareil peuvent être retirées, pourvu qu'on puisse les ranger et les réinstaller si l'encastré est retiré.
  - B. Le registre de la cheminée peut être retiré pour permettre l'installation de la gaine de cheminée.
- G. Les espaces d'air de convection (c.-à-d. dans les chemisages en acier ou les caissons métalliques) ne doivent pas être bloqués.
- H. Prévoyez les moyens nécessaires pour retirer l'encastré afin de nettoyer le conduit de la cheminée.
- I. Les encastrés installés en projection doivent être supportés de façon appropriée.
- J. Une étiquette de mise en garde, en métal, doit être apposée de façon permanente à l'arrière du foyer stipulant que, lorsque l'encastré est retiré, le foyer doit être remis à son état original afin d'en faire un usage sécuritaire.

## 4.0 finitions

### 4.1 enlèvement de porte

#### ! AVERTISSEMENT

- Faire fonctionner cet appareil avec les portes ouvertes ou entrouvertes crée un risque d'incendie de cheminée ou du domicile.
- Ne frappez pas et ne claquez pas la porte.
- N'enlevez jamais la porte lorsque l'appareil est chaud.

#### note:

Nous recommandons fortement d'utiliser deux personnes d'enlever et/ou installer la porte de l'appareil parce qu'elle est très lourde.

1. Avec une main sur la porte de la-prévenir de tomber, ouvrez la porte and retirez les 6 grandes vis situées sur les charnières (**Fig. 4-1**).
2. Retirez la porte, en la-plaçant face vers le bas sur une surface doux et non-abrasive (**Fig. 4-2**). Faites attention de ne grattez pas la peinture.
3. Inversez ces étapes d'installer la porte.

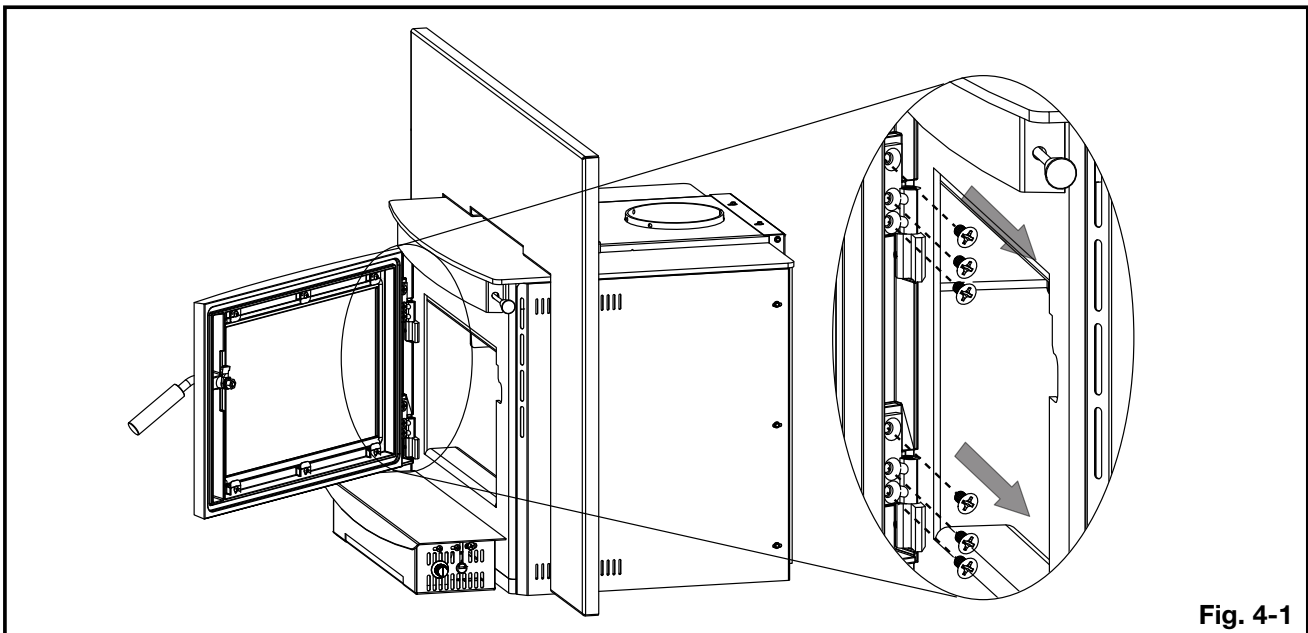


Fig. 4-1

#### note:

Les charnières **DOIVENT** rester sécurisées à l'appareil pendant l'installation / enlèvement de la porte.

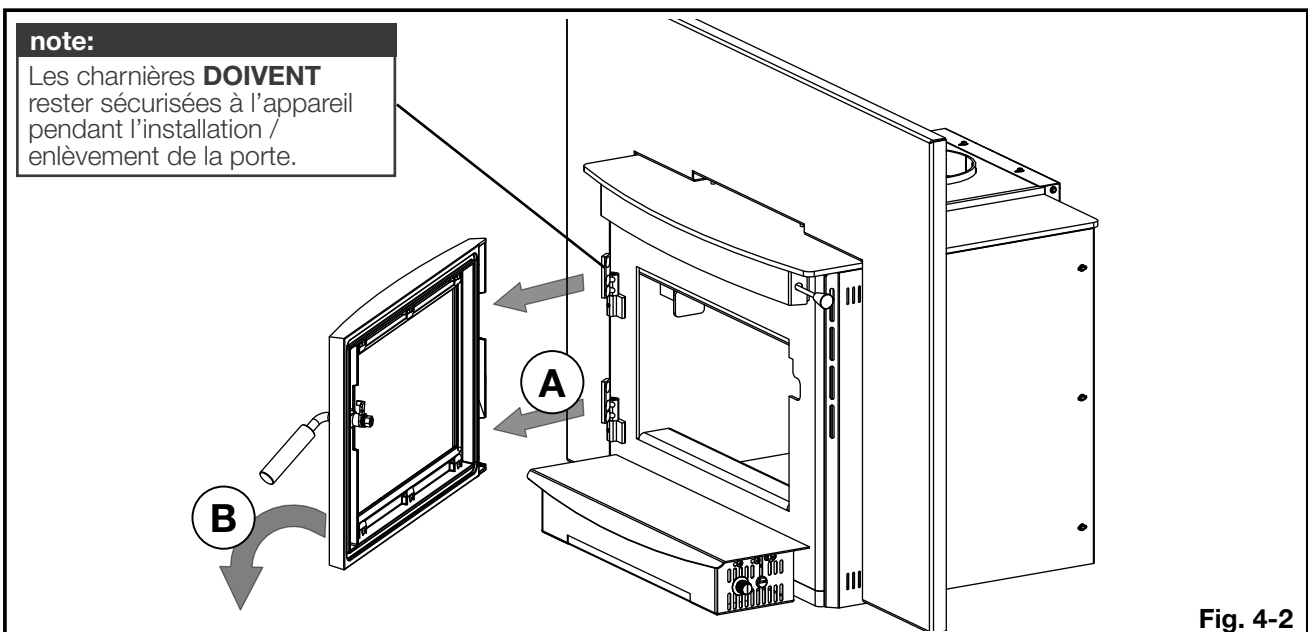


Fig. 4-2

## 4.2 ajustement de porte

**note:**

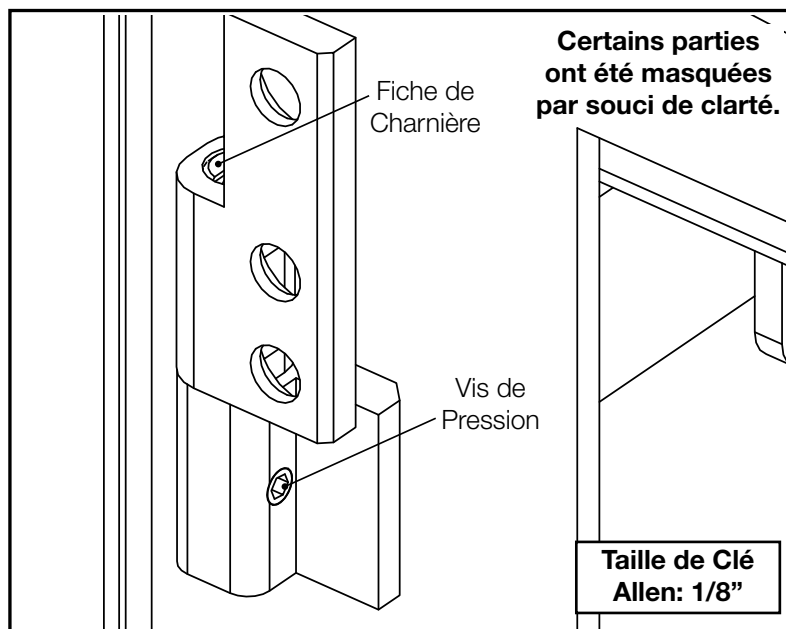
Cette fiche de charnière est une came excentrée, ce qui signifie qu'il peut éloigner ou rapprocher la porte de la face de la chambre de combustion, soit en créant un espace entre elle et le joint de la porte, soit en rendant la porte trop serrée . Ajustez en conséquence.

1. Après avoir enlevé et réinstallé la porte (voir la section « enlèvement de porte »), la porte peut ne pas être de niveau. Dans ce cas, ajustement de la porte peut être nécessaire.
2. D'aligner la porte, desserrez la vis de pression. Tournez les fiches de charnières dans le sens des aiguilles d'une montre ou dans le sens contraire des aiguilles d'une montre pour augmenter ou baisser l'extrémité opposé de la porte. Serrez la vis de pression.

**note:**

Ajustement de la porte est par tâtonnement strictement; vous pouvez besoin d'effectuer cet ajustement quelques fois jusqu'à ce que l'angle de porte souhaité soit atteint.

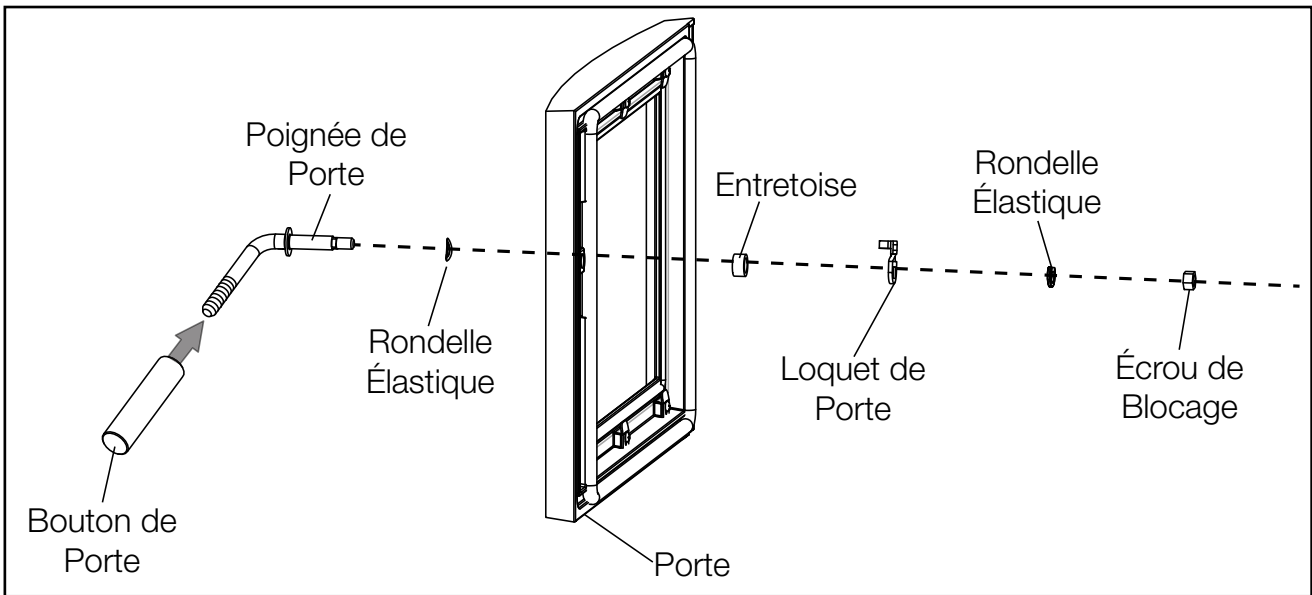
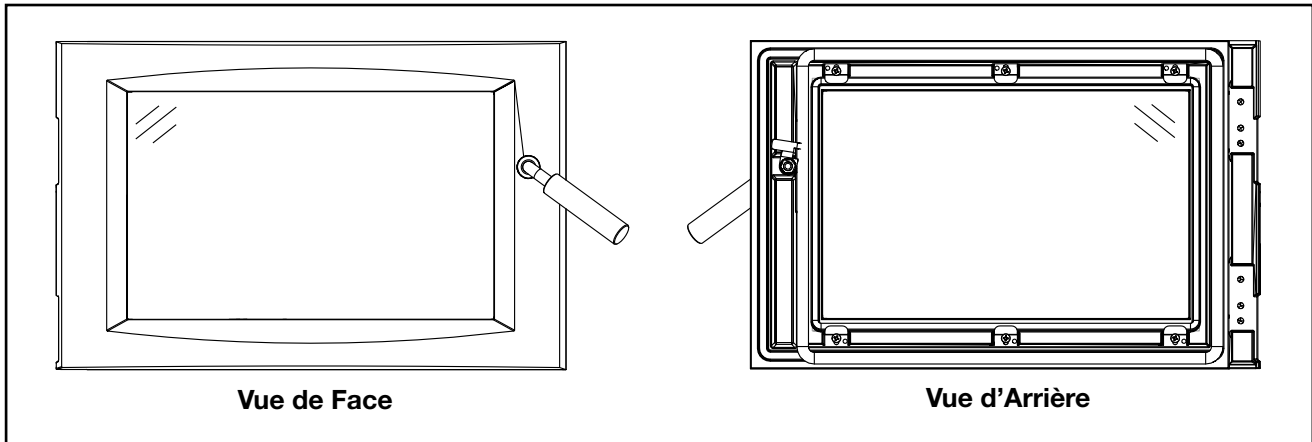
3. Assurez-vous que le loquet de porte se ferme et s'engage correctement.



## 4.3 installation de poignée de porte

### ! AVERTISSEMENT

- Faire fonctionner cet appareil avec les portes ouvertes ou entrouvertes crée un risque d'incendie de cheminée ou du domicile.
- Ne frappez pas et ne claquez pas la porte.
- N'enlevez jamais la porte lorsque l'appareil est chaud.

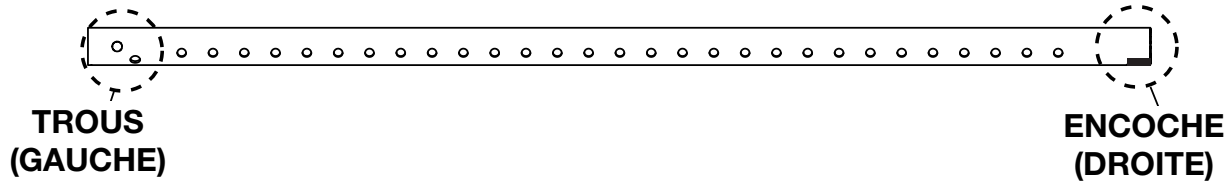


### 4.4 tuyau d'air secondaire

**note:**

Les trois tuyaux d'air secondaire à l'arrière sont installés en usine; donc, seulement le tuyau d'air secondaire à l'avant (fourni dans le chambre de combustion) doit être installé.

Avant de commencer l'installation, notez l'orientation correcte du tuyau d'air secondaire. Le côté avec l'encoche devrait faire face au droit, et le côté avec 2 trous à l'extrémité devrait faire face au gauche.



1. Avec la porte de l'appareil ouvert ou enlevé, insérez le côté gauche du tuyau d'air secondaire dans le trou dans **le côté gauche** de l'appareil.
2. Insérez le côté droit du tuyau d'air secondaire dans le trou dans **le côté droit** de l'appareil. Assurez-vous que l'encoche entre en contact avec l'épingle (**Fig. 4-3**).
3. Alignez le trou dans le tuyau d'air secondaire avec le trou dans le support sur le côté gauche dans le chambre de combustion, puis insérez une goupille fendue (fournie) (**Fig. 4-4**).
4. Épandez la goupille fendue pour fixer le tuyau d'air secondaire en place.

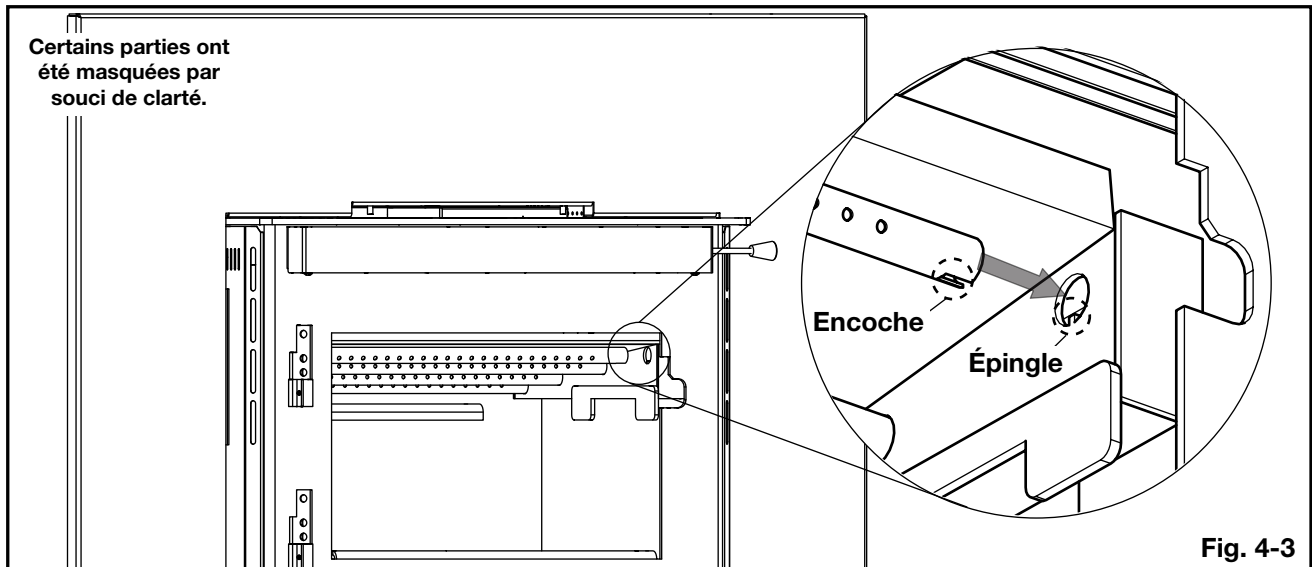


Fig. 4-3

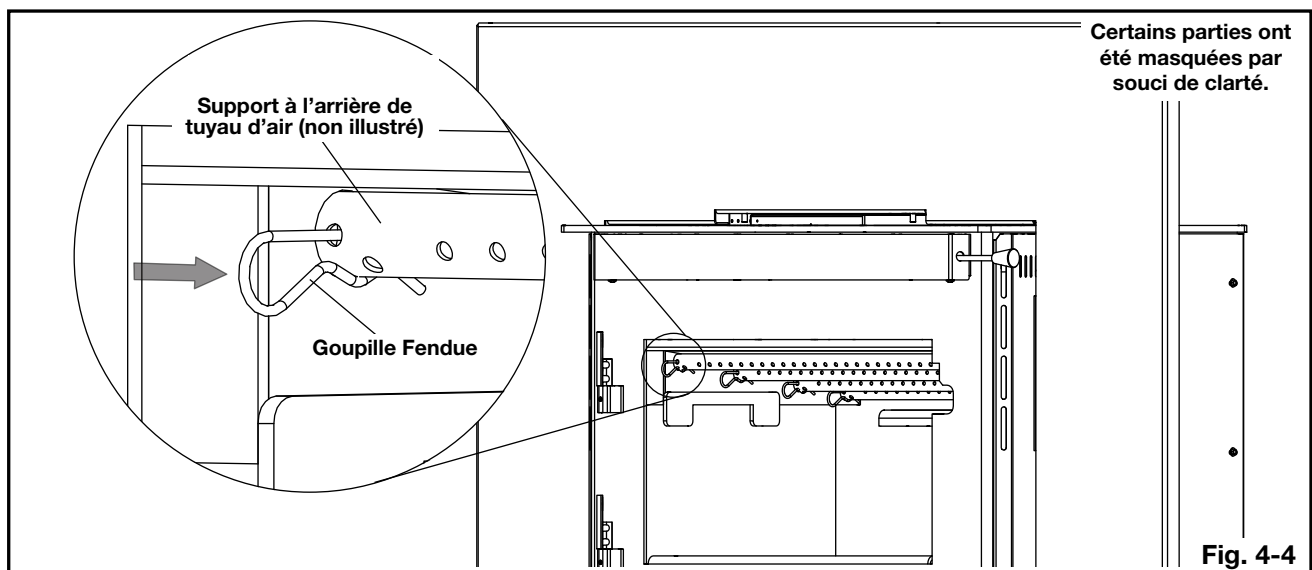


Fig. 4-4

### ! AVERTISSEMENT

- L'utilisation de l'appareil sans les briques et déflecteurs peut causer des températures excessives qui pourraient endommager l'appareil, la cheminée et l'enceinte.

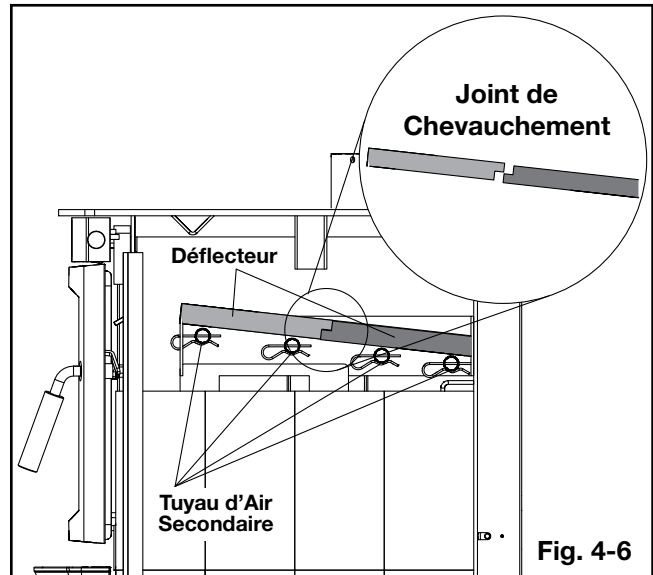
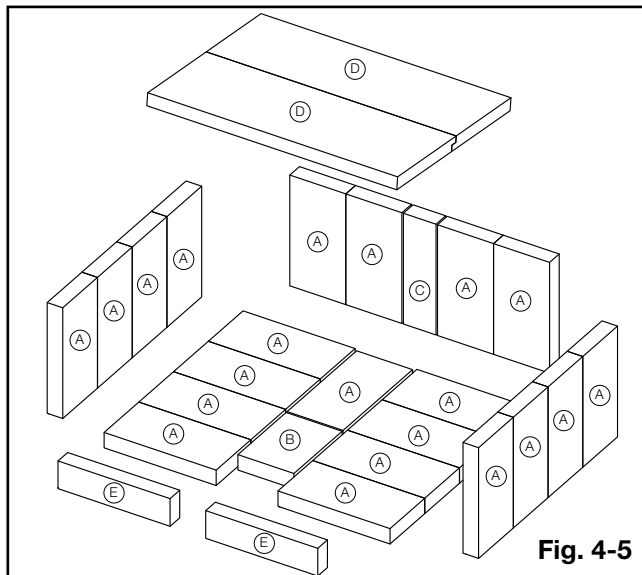
Avec l'installation de l'appareil et la cheminée completé, déplacez les briques en place comme illustré ci-dessous (Fig. 4-5).

- Installez neuf briques (A) et une brique (B) le long du bas de la chambre de combustion, travaillant de l'arrière de l'appareil vers l'avant.
- Installez huit briques (A) le long des côtés gauche et droit de l'appareil.
- Installez quatre briques (A) et une brique (C) le long du mur arrière en pivotant les briques au dessous du support de brique.

**note:**

Placez brique (C) dans le centre, avec deux briques (A) sur chaque côté comme illustré (Fig. 4-5).

- Soigneusement pivotez les déflecteurs en fibre (D) sur les tuyaux d'air secondaire comme illustré (Fig. 4-6). Assurez-vous que les déflecteurs supérieures sont poussés à l'arrière de la chambre de combustion, en laissant un écart le long du mur un minimum de 1 po en taille. Cela permettra les gaz du conduit d'échapper la chambre de combustion. Assurez-vous que le joint de chevauchement est serré.
- Installez les deux briques (E) le long de l'avant.



**note:**

Les déflecteurs en fibre sont livrés dans la chambre de combustion. Ils doivent être retirés de tout emballage spécial avant d'installation.

Pour plus de détails à propos des descriptions de briques et des numéros de parties, voir la section « pièces de rechange ».

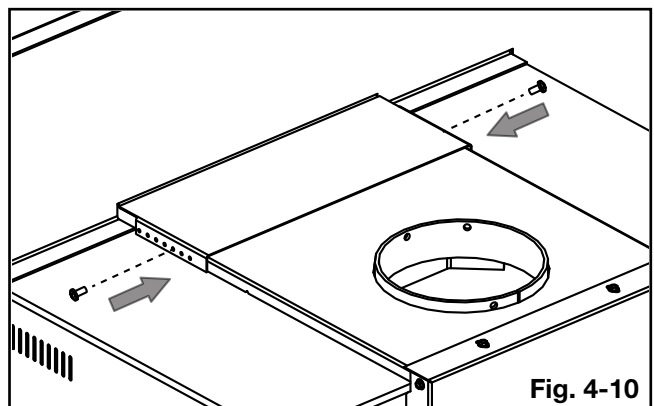
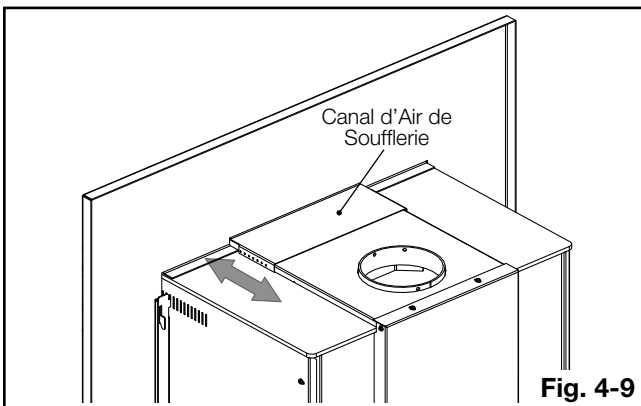
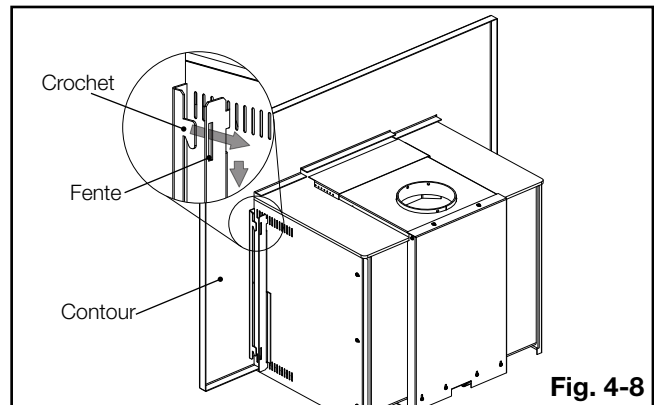
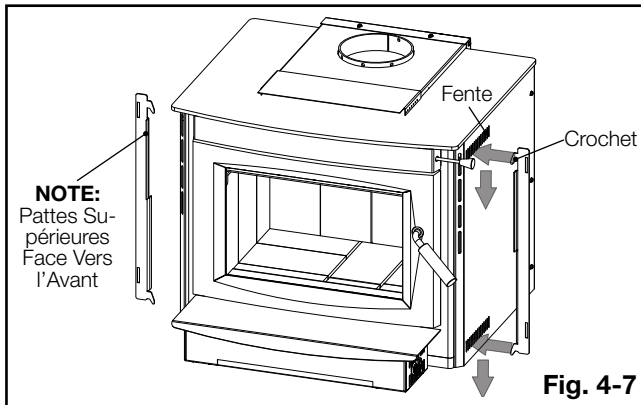
## 4.6 installation de contour

- A. Installez les supports (fournis) sur les deux côtés de l'appareil en insérant les crochets dans les fentes d'appareil souhaité.

**note:**

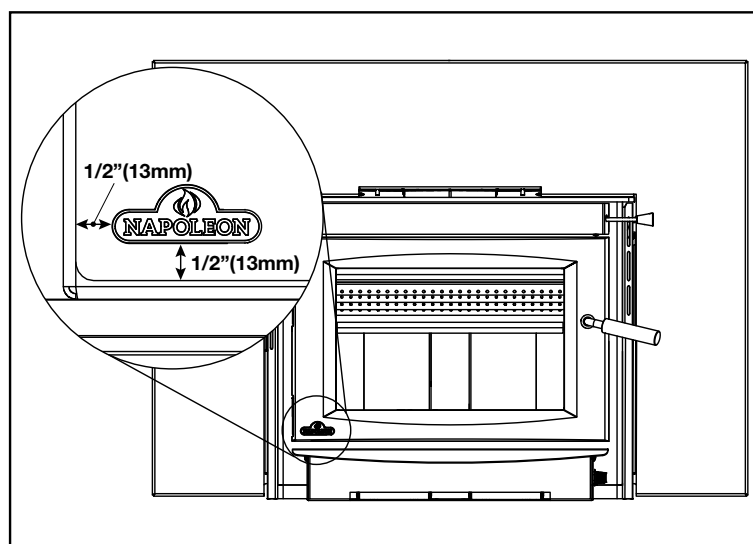
Les supports sont asymétrique. Pendant l'installation, assurez-vous que les pattes supérieures face vers l'avant (Fig. 4-7).

- B. Placez les crochets sur le contour dans les fentes dans les supports précédemment installés en étape A (Fig. 4-8).
- C. Ajustez le canal d'air du soufflerie en le-glissez vers l'avant ou vers l'arrière (Fig. 4-9).
- D. Fixez le canal d'air du soufflerie en place en installant 2 vis (fournies) (Fig. 4-10).



## 4.7 emplacement de logo

Retirez le papier dorsal du logo et placez-le sur comme illustrée.



### **! AVERTISSEMENT**

- Risque d'incendie et de choc électrique.
- Coupez l'alimentation électrique avant de procéder à l'entretien de l'appareil.
- N'utilisez que les accessoires optionnels et les pièces de rechange approuvés par Wolf Steel pour cet appareil. L'utilisation d'accessoires non listés (soufflerie, portes, persiennes, moulures, etc.) pourraient être non sécuritaire et annulera la garantie et la certification.
- Afin de prévenir les chocs électriques et les dommages causés par le feu, assurez-vous que le cordon d'alimentation de la soufflerie n'entre pas en contact avec quelconque surface de l'appareil. Ne faites pas passer le cordon d'alimentation sous l'appareil.

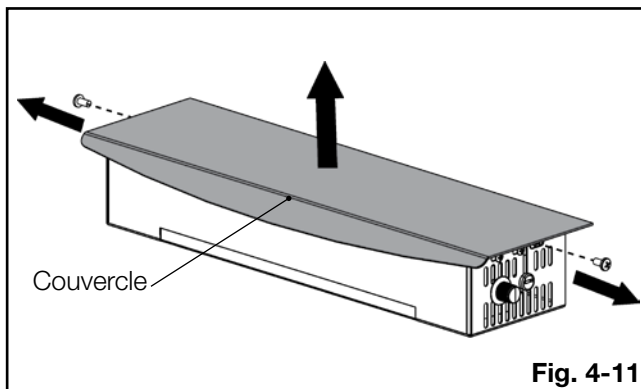
La poussière de gypse pénétrera dans le roulement à billes de la soufflerie causant des dommages irréparables. Vous devez éviter que cette poussière n'entre pas en contact avec la soufflerie ou son compartiment. Tout dommage causé par ce problème ne sera pas couvert par la garantie. L'utilisation de la soufflerie accroît le débit de chaleur.

Cette soufflerie est actionnée par la chaleur. Selon l'intensité de feu, la soufflerie s'activera de 15 à 30 minutes après l'allumage. L'interrupteur thermique de l'appareil est fixé sur un support réglable, lequel doit être placé de façon à être en contact avec le boîtier de la soufflerie, comme illustré.

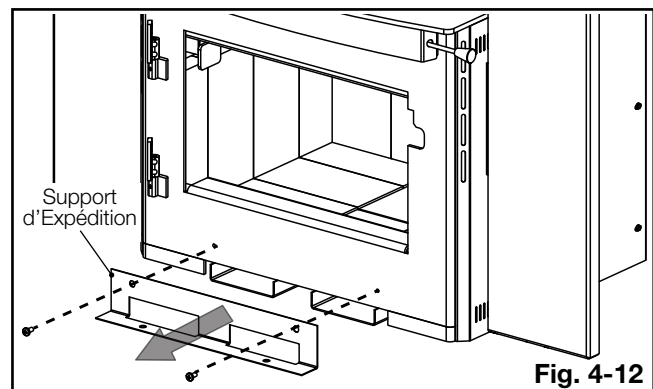
#### **note:**

Aux fins d'expédition, le boîtier de la soufflerie a été mis à l'intérieur de la chambre de combustion. Avant d'installer la soufflerie, nous vous recommandons d'enlever la porte.

- Retirez la porte (voir la section « enlèvement de porte »).
- Retirez les deux vis servant à fixer le couvercle à l'assemblage de la soufflerie (**Fig. 4-11**). Mettez de côté les vis et le couvercle.
- Retirez le support d'expédition en retirant les deux vis (**Fig. 4-12**). Jetez le support et mettez de côté les vis.

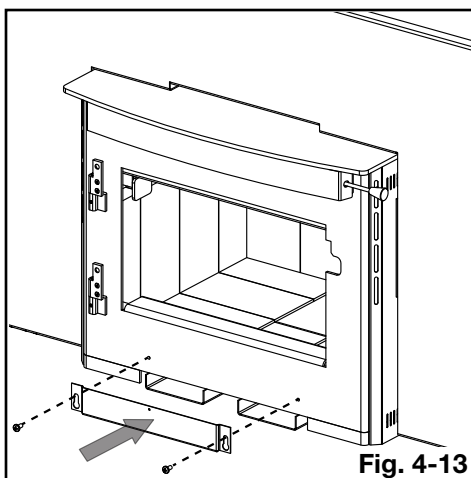


**Fig. 4-11**

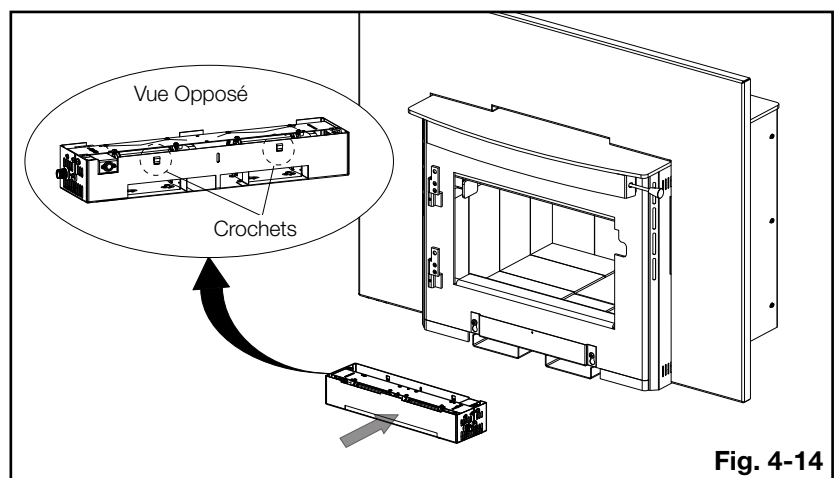


**Fig. 4-12**

- Installez le support de montage de la soufflerie en utilisant les deux vis de l'étape C (**Fig. 4-13**).
- Fixez les crochets dans l'assemblage de la soufflerie sur le support de montage de la soufflerie (**Fig. 4-14**), puis glissez l'assemblage de la soufflerie jusqu'à ce qu'il soit sécurisé. Assurez-vous que l'assemblage de la soufflerie est centré à la chambre de combustion.

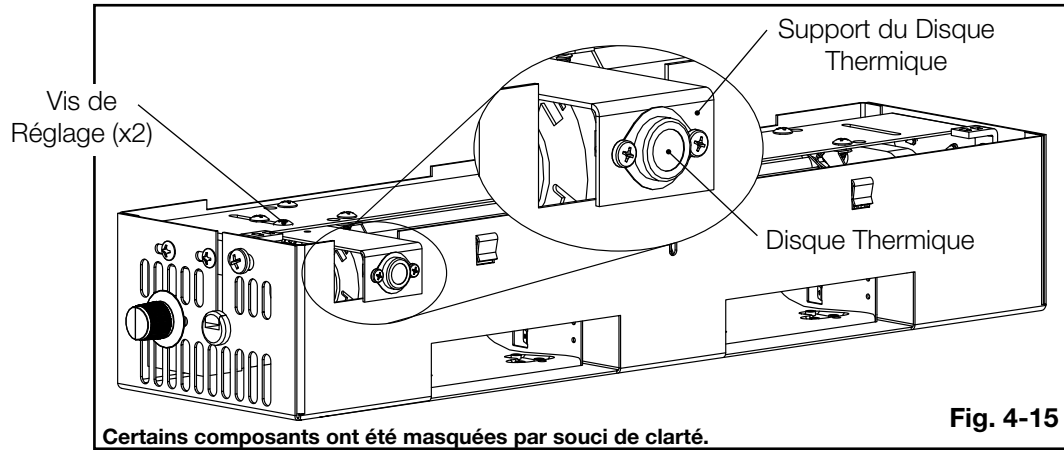


**Fig. 4-13**



**Fig. 4-14**

- F.** Desserrez les vis de réglage, puis faites glisser le support du disque thermique jusqu'à ce que le disque thermique touche la face de la chambre de combustion (**Fig. 4-15**).



- G.** Resserrez les vis de réglage pour maintenir le support du disque thermique en place.  
**H.** Fixez encore le couvercle en utilisant les deux vis précédemment retirées en étape B.  
**I.** Fixez encore la porte précédemment retirée en étape A.

## 5.0 fonctionnement

FR

### AVERTISSEMENT

- Faites toujours fonctionner cet appareil avec la porte fermée et verrouillée sauf durant l'allumage et le ravitaillement ou lorsque vous utilisez le pare-étincelles. Portez toujours des gants pour prévenir les blessures. Ne laissez pas l'appareil sans supervision lorsque les portes sont déverrouillées ou lorsque vous utilisez le pare-étincelles. Du bois instable pourrait tomber hors de la chambre de combustion et créer un risque d'incendie.
- Ne laissez jamais les enfants sans surveillance lorsqu'un feu brûle dans l'appareil.
- N'utilisez jamais d'essence, de combustible à lanterne, de kérosène, d'essence à briquet ou autres liquides pour allumer ou raviver un feu dans cet appareil. Gardez tous ces liquides éloignés de l'appareil lorsque celui-ci fonctionne.
- Les objets placés devant l'appareil doivent être gardés à une distance d'au moins 48" (121,9cm) de la face vitrée.
- Toute modification apportée à l'appareil qui n'a pas été préalablement approuvée par écrit par le laboratoire d'essai est considéré comme une violation des normes CSA B365 (Canada) et ANSI/NFPA 211 (É.U.).
- Ouvrez le contrôle de combustion (et le registre s'il y a lieu) avant d'ouvrir la porte de l'appareil.
- L'appareil est chaud lorsqu'il fonctionne. Tenez les enfants, les vêtements, et les meubles à l'écart. Le contact peut causer des brûlures. Portez des gants lorsque vous opérez votre appareil.
- Faire fonctionner votre appareil avec les portes ouvertes ou entrouvertes constitue un risque pouvant causer un incendie et/ou un feu de cheminée.
- Cet appareil au bois possède un taux minimal de combustion établi par le fabricant qui ne doit pas être modifiée. Les règlements fédéraux interdisent en États-Unis de modifier ce réglage ou d'utiliser cet appareil de chauffage d'une manière allant à l'encontre des instructions de fonctionnement contenues dans ce manuel.

Votre appareil Napoléon certifié aux normes EPA est un appareil de haute technologie conçu selon les principes technologiques les plus avancés. Cet appareil est extrêmement hermétique.

Le(s) premier(s) feu(x) de l'appareil sera/seront difficile(s) à partir et à maintenir tout en produisant qu'un peu de chaleur. Ceci est le résultat de l'humidité émanant des briques réfractaires. Durant la période de rodage (les premiers 2 ou 3 feux), ne faites que des petits feux en utilisant du bois d'allumage; cela permettra à la brique de se conditionner. Ne vous inquiétez pas si de petites fissures apparaissent dans les briques réfractaires. Cela est normal et ne pose aucun danger à la sécurité. La peinture peut également produire de légères émanations pendant les premiers feux à cause du processus de cuisson; vous devrez ouvrir une porte ou une fenêtre pour chasser les odeurs.

À l'allumage, un feu vif est requis. Placez des morceaux de papier grossièrement chiffonnés sur le plancher de l'appareil et couvrez-les de bois d'allumage. Ouvrez complètement le contrôle de combustion en le déplaçant complètement à droite. Allumez le papier et laissez la porte légèrement entrouverte (un pouce) jusqu'à ce que tout le bois d'allumage soit enflammé. Pour maintenir un feu vif, un lit de braises doit se former et être entretenu.

Lentement, ajoutez des morceaux de bois plus gros (2" [51mm] x 4" [102mm]). Posez les morceaux dans le lit de braises, parallèlement à l'arrière, tout en gardant une tranchée peu profonde entre les morceaux de bois. Ainsi, l'air comburant primaire circulera directement dans la tranchée et allumera le bois. Lorsque la flambée semble à son maximum, des bûches de dimensions moyennes peuvent être ajoutées. Une fois que ces morceaux ont pris feu, fermez la porte doucement. (Le fait de fermer la porte immédiatement après le chargement entraînera une diminution de température dans la chambre de combustion et se traduira par une combustion insatisfaisante.) Rappelez-vous qu'il est plus efficace de brûler des morceaux de bois de dimensions moyennes à feu vif et de recharger plus souvent, que d'alimenter l'appareil avec des gros morceaux qui produiront un feu languissant et inefficace qui salira la votre.

Une fois que la porte est fermée, vous observez un changement dans le comportement des flammes. Elles deviendront plus petites et plus paresseuses parce-que le volume d'oxygène qui entre dans la chambre de combustion est moindre. Cependant, les flammes sont plus efficaces. Elles continueront d'être paresseuses, mais redeviendront plus grandes dès que les briques réfractaires auront été complètement réchauffés et que la cheminée deviendra plus chaude, produisant ainsi un meilleur tirage. À ce stage, les grandes flammes que vous observez lorsque la porte est ouverte tirent inutilement l'air réchauffé de la pièce dans la cheminée - une situation qui est certes indésirable. C'est pourquoi il faut toujours faire fonctionner l'appareil avec la porte complètement fermée lorsque les morceaux de bois de dimensions moyennes sont enflammés.

Vous pouvez maintenant ajouter de plus gros morceaux de bois et faire fonctionner l'appareil normalement. Une fois que l'appareil est complètement réchauffé, il brûlera très efficacement en laissant échapper que très peu de fumée par la cheminée. Il y aura un lit de braises orangées dans la chambre de combustion et les flammes secondaires sautilleront juste au-dessous des déflecteurs supérieures. Vous pouvez sans crainte remplir la chambre de combustion avec du bois jusqu'au sommet de la porte de chargement et vous obtiendrez de meilleures flambées si vous maintenez la température du tuyau de l'appareil entre 250°F (120°C) et 450°F (270°C). Un thermomètre de surface vous aidera à mieux contrôler la température.

Sans thermomètre, vous travaillez à l'aveuglette, sans aucune idée réelle du fonctionnement de votre appareil. Un thermomètre d'appareil vous donne une référence quant à la performance de votre appareil.

**Vous n'arrivez pas à faire partir votre feu?**

Utilisez un peu plus de bois d'allumage et de papier. Si la cheminée et le tuyau d'évacuation sont de grandeur appropriée, et s'il y a suffisamment d'air comburant, alors la problème est causé par une quantité insuffisante de petits morceaux de bois d'allumage sec. Le bois d'allumage devrait avoir un diamètre équivalent à celui de votre pouce.

**Votre appareil n'émet pas assez de chaleur?**

Une ou deux causes sont possibles. La porte de l'appareil a été fermée prématurément et l'appareil n'a pas atteint sa température optimale. Ouvrez la porte et/ou le contrôle de combustion à nouveau afin de repartir un feu vif. Du bois mouillé pourrait être la deuxième cause. Un bois grésillant d'où s'échappe de l'humidité est le symptôme typique.

**5.1 méthode de combustion optimale**

**Pour une performance et une efficacité optimales quant aux émissions, suivez les directives simples suivantes lors de l'utilisation de votre appareil:**

- A.** Maintenez une couche de braises chaudes de 2 po (51mm).
- B.** Brûlez seulement du bois sec avec moins de 20% d'humidité et veillez à ce que la porte vitrée reste propre.
- C.** Un thermomètre de poêle doit indiquer 350°F (176°C) comme une température moyenne.
- D.** Lors d'une combustion normale, vous devez maintenir un niveau minimal d'émanations de fumée provenant de la cheminée.
- E.** Inspectez et remplacez tous les composants nécessaires tels que les joints, les collecteurs, le verre, et d'autres composants qui peuvent affecter l'efficacité globale de l'appareil.
- F.** Assurez-vous un tirage adéquat pour contrôler la rapidité de combustion et la température.

Voir les sections « fonctionnement » et « entretien » pour plus de détails.

**5.2 fonctionnement de soufflerie optionnelle**

**La procédure d'utilisation suivante est recommandée pour obtenir une performance optimale:**

**Lorsque l'appareil fonctionne à feu élevé:**

1. Nous conseillons de régler la soufflerie sur « HIGH » et faites fonctionner avec le thermodisque (situé dans l'assemblage de la soufflerie, monté à l'avant de l'appareil).

**Lorsque l'appareil fonctionne à feu moyen:**

2. Nous ne conseillons pas d'utiliser la soufflerie.

**Lorsque l'appareil fonctionne à feu bas:**

3. Nous conseillons de mettre la soufflerie en marche après environ 60 minutes au réglage minimum. Faites fonctionner avec le thermodisque (situé dans l'assemblage de la soufflerie, monté à l'avant de l'appareil).

### **! AVERTISSEMENT**

- Cet appareil au bois possède un taux minimal de combustion établi par le fabricant qui ne doit pas être modifié. Les règlements fédéraux interdisent en États-Unis de modifier ce réglage ou d'utiliser cet appareil de chauffage d'une manière allant à l'encontre des instructions de fonctionnement contenues dans ce manuel.

Le tirage est la force qui déplace l'air de la chambre de combustion vers le haut dans la cheminée. La force de tirage de votre cheminée dépend de sa hauteur et de son diamètre, de la géographie locale, des obstructions avoisinantes et autres facteurs.

Avant d'ajuster le contrôle d'air, installez le bouton (fourni) en le vissant sur l'extrémité du contrôle d'air (**Fig. 5-1**).

Déplaçant la contrôle d'air complètement à gauche réduit la température. Le contrôle d'air peut être réglé pour passer d'une combustion lente à une combustion rapide en déplaçant la manette dedans et dehors (**Fig. 5-2**).

Un tirage inadéquat peut causer des refoulements de fumée dans la pièce via l'appareil et les points de raccordement des conduits. Il peut également causer un blocage de la cheminée. Un tirage trop grand provoquera des températures excessives dans l'appareil, des composants de l'appareil ou des conduits de raccordements qui rougeoient ou une combustion incontrôlable qui peut causer un feu de cheminée ou des dommages permanents à l'appareil.

Ne faites pas fonctionner de votre appareil pendant plus de 30 minutes avec le contrôle d'air à « HIGH » (complètement ouvert).

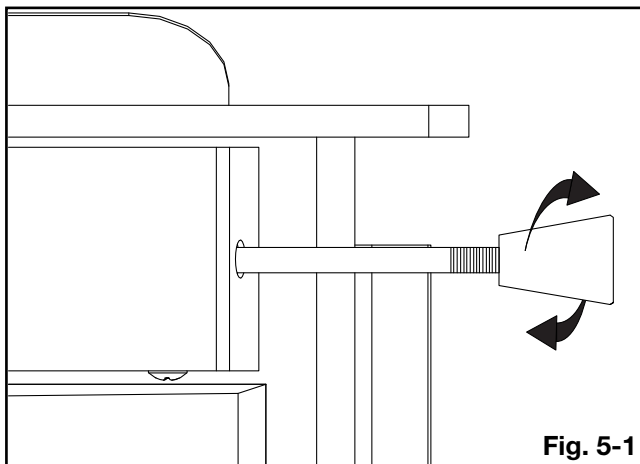


Fig. 5-1

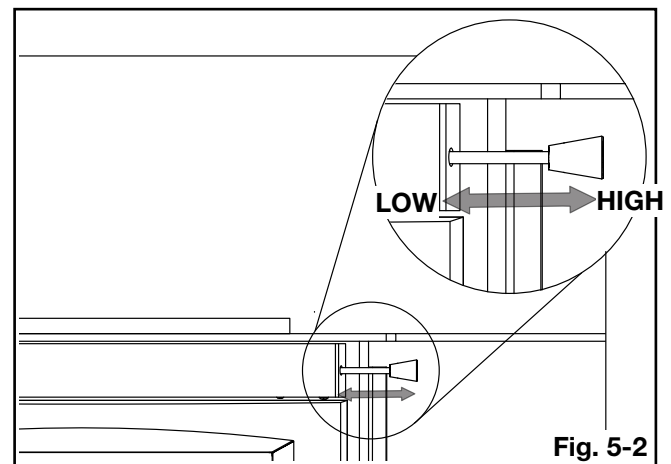


Fig. 5-2

## 5.4 extincteurs et détecteurs de fumée / monoxyde de carbone

### note:

Toujours vérifiez vos détecteurs de fumée et CO fonctionnent correctement.

Toutes les maisons possédant un appareil à combustible solide devraient posséder au moins un extincteur d'incendie dans un emplacement central connu de tous et au moins un détecteur de fumée et détecteur monoxyde de carbone placé dans la pièce où l'appareil est situé. Si l'alarme se déclenche, corrigez la cause mais ne désactivez pas, ou ne relocalisez pas le détecteur de fumée. Si le détecteur de monoxyde de carbone sonne l'alarme, déplacer immédiatement à une région qui a l'air frais et appeler un votre service d'incendie local.

## 5.5 chargement de combustible

Lorsque vous chargez l'appareil, assurez-vous que les deux déflecteurs en fibre du haut de l'appareil n'ont pas été soulevés et déplacés de leur rebord. La chaleur maximum pour le combustible minimum (combustion optimale) arrive lors la température haute de l'appareil est entre 500°F (260°C) et 600°F (315°C).

### note:

Lorsque vous chargez l'appareil, assurez-vous de garder le combustible éloigné de la vitre. Si des braises s'accumulent sur le rebord avant, elles pourraient tomber hors de l'appareil quand vous ouvrez la porte.

Ne brûlez que du bois sec avec une teneur en humidité de 20%. Cela produit plus de chaleur et moins de suie ou créosote. Ne brûlez pas de bois de l'océan ou de la plage parce-que la teneur de sel peut produire un acide qui mange le métal. Parce-que ces appareils brûlent à l'avant, ils sont propre et efficace, mais ils sont aussi très chaude et les gants sont utile.

## ! AVERTISSEMENT

- Brûlez le bois en arrière du pare-bûches directement sur les briques réfractaires. N'utilisez pas un chenet et n'essayez pas de surélever le feu de quelque manière.
- N'entreposez pas le bois à l'intérieur des dégagements de l'appareil ou dans l'espace requis pour le ravitaillement ou l'enlèvement des cendres.
- Brûleur du bois vert ou humide peut causer des accumulations excessives de créosote. Lorsqu'allumée, cette dernière peut causer un feu de cheminée et un incendie grave pourrait s'ensuivre.

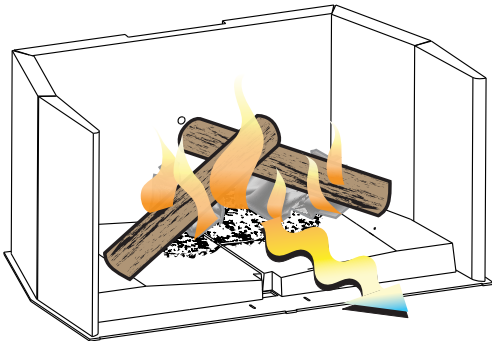
Les briques seront presque entièrement blanches et la vitre presque entièrement propre. Ceci est un bon indicateur que votre appareil fonctionne efficacement.

Lorsque vous ne brûlez qu'une ou deux bûches, l'appareil ne produira pas assez de chaleur.

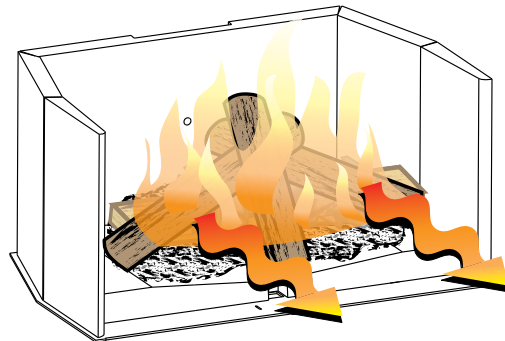
Il faut au moins trois bûches pour arriver à avoir un lit de braises qui nourrira le feu. Des bûches placées de façon lâche brûleront plus rapidement que celles placées serrées les unes contre les autres.

Un feu éclair est un petit feu qui brûle rapidement quand vous n'avez pas besoin de beaucoup de chaleur. Une fois que votre bois d'allumage est bien allumé, chargez trois bûches par-dessus de façon très lâche. Faites brûler avec le contrôle de combustion pleinement ouvert ou légèrement ouverte.

Le bois brûle de façon cyclique au lieu de fournir une chaleur constante. Il est donc préférable de planifier ces cycles en fonction de vos activités familiales de façon à ce que suffisamment de braises soient disponibles pour allumer la charge suivante.



**QUANTITÉ DE BOIS INSUFFISANTE**



**QUANTITÉ DE BOIS SUFFISANTE**

Lorsque vous rechargez l'appareil, ouvrez la porte lentement afin d'éviter les déversements de fumée. Lorsque vous alimentez le feu, utilisez de longues gants protecteurs. Gardez une petite pelle en acier à proximité; elle peut être utilisée comme tisonnier ou pour enlever les cendres. N'entreposez pas le bois à moins de quatre pieds (1,2m) de l'appareil.

Respectez les directives suivantes afin de minimiser les refoulements de fumée lors du rechargement de l'appareil.

1. Placez le levier du contrôle de combustion au maximum.
2. Ouvrir la porte de dérivation.
3. Ouvrez légèrement les portes. Laissez le flux d'air se stabiliser à l'intérieur de la chambre de combustion avant d'ouvrir les portes complètement.
4. Remplissez de bois et brûlez à combustion moyenne-basse.
5. Après 5-10 minutes, fermez la porte de dérivation.
6. Veillez à ce que la température du catalyseur, puis fermer la porte de dérivation.

# fonctionnement

FR

Le soir, chargez votre appareil au moins une demi-heure avant de vous coucher pour vous assurer que le feu soit suffisamment chaud pour fermer le contrôle de combustion pour une combustion nocturne, voir la section « combustion nocturne » pour les informations détaillées.

## 5.5.1 feu continue

Chargez vos bûches de dimension plus grande de façon compacte pour empêcher les flammes de s'infiltrer complètement. Après 30 minutes environ, selon la grosseur de la charge, fermez le contrôle de combustion en vérifiant que le feu ne se soit pas éteint.

### NE SURCHAUFFEZ PAS L'APPAREIL!

#### Une surchauffe peut se produire :

- A. En brûlant de grandes quantités de bois de dimension réduite, tel que des rebuts de bois de meuble, des palettes ou du bois traité;
- B. En brûlant vivement des grandes quantités de bois avec le contrôle de combustion à « HIGH » (entièrement ouvert) pendant de longues périodes (une ou deux heures).
- C. En faisant fonctionner l'appareil lorsque la porte de la chute à cendres est ouverte ou lorsque le joint d'étanchéité de la porte principale est défectueux.

## 5.6 enfumage

Un appareil installé convenablement ne devrait pas fumer. Si vôtre fume, vérifiez les points suivants:

- Est-ce que la cheminée a pu se réchauffer suffisamment?
- Est-ce que le passage de la fumée est bloqué soit dans la cheminée, soit dans le conduit de raccordement, soit dans l'appareil?
- Est-ce que la pièce est trop hermétique et que la prise d'air comburant n'est pas raccordée sur l'extérieur? Essayez avec une fenêtre partiellement ouverte.
- Est-ce que le flot de fumée est restreint par un tuyau horizontal trop long ou par un trop grand nombre de coudes?
- S'agit-il d'un tirage faible causé par une cheminée non hermétique, une cheminée extérieure froide, un diamètre de cheminée trop grand, une cheminée trop courte ou trop près des arbres ou d'un toit plus élevé?
- Est la teneur en humidité du bois supérieure à 20%?
- Si équipé, est-ce que le bypass catalyseur a été fermé ou fermé prématurément?

## ! AVERTISSEMENT

- Coupez l'alimentation électrique avant de procéder à l'entretien de l'appareil.
- L'appareil peut être chaud. N'effectuez aucun entretien jusqu'à ce que l'appareil soit refroidi.
- N'utilisez pas de nettoyeurs abrasifs.

Afin de prévenir les accumulations de suie et de crésote, vérifiez votre cheminée et le conduit de raccordement toutes les semaines jusqu'à ce qu'une fréquence de nettoyage sécuritaire soit établie.

Si les accumulations sont excessives, débranchez l'appareil et nettoyez-le ainsi que la cheminée. Vous pourriez faire appel aux services d'un ramoneur professionnel pour nettoyer l'appareil et la cheminée; ils doivent être nettoyés au moins une fois par an ou aussi souvent que nécessaire.

Enlevez les déflecteurs en fibre et nettoyez au-dessus une fois par année. Remplacez les briques et déflecteurs brisées.

### 6.1 procédures d'enlèvement de cendres

## ! AVERTISSEMENT

- L'élimination incorrecte des cendres cause des incendies. Ne jetez pas les cendres dans des boîtes en carton. Ne les jetez pas dans la cour et ne les entreposez pas dans un garage.
- Si vous utilisez un aspirateur pour nettoyer les cendres, assurez-vous que ces dernières soient entièrement refroidies. L'utilisation d'un aspirateur pour nettoyer les cendres chaudes pourrait occasionner un incendie dans l'aspirateur.
- Ne faites jamais fonctionner l'appareil avec le couvercle de la grille retiré.
- Si le joint entre l'ouverture, le couvercle, et la porte de la chute à cendre n'est pas étanche, cela entraînera une surchauffe pouvant endommager l'appareil.

Laissez les cendres s'accumuler sur une épaisseur de deux ou trois pouces sur le plancher de la chambre de combustion; elles ont tendance à se consumer. Une fois que le feu s'est éteint et que les cendres se sont refroidies, enlevez toutes les cendres excédentaires, mais laissez une épaisseur d'un pouce sur le plancher de la chambre de combustion pour aider à conserver un lit de braises chaudes.

**ÉLIMINATION DES CENDRES:** Les cendres doivent être placées dans un contenant métallique avec un couvercle hermétique. Le contenant fermé doit être placé sur une surface incombustible, à une distance éloignée de tout matériaux combustible, jusqu'à ce que vous les jetez. Si les cendres sont enterrées ou dispersées localement, elles devraient demeurer dans le contenant métallique jusqu'à ce qu'elles aient complètement refroidi.

### 6.2 formation et enlèvement de crésote

Lorsque le bois brûle lentement, il produit du goudron et autres vapeurs organiques qui, se combinant à la vapeur d'eau évacuée, forment la crésote. Ces vapeurs se condensent dans le conduit relativement froid de la cheminée d'un appareil brûlant lentement. Par conséquent, le résidu de crésote accumule sur dans le conduit. Lorsqu'elle prend feu, la crésote produit un feu extrêmement chaud.

Inspectez votre cheminée pour des accumulations de crésote chaque deux mois pendant le saison de chauffage pour déterminer si une accumulation de crésote à former.

Si l'accumulation est excessive, nettoyez la cheminée pour réduire une feu du cheminée.

### AVERTISSEMENT

- Un feu de cheminée peut endommager votre cheminée de façon permanente. Pour réparer ces dommages, vous devrez remplacer les composants endommagés. Les feux de cheminée ne sont pas couverts pas la garantie à vie limitée.

#### CAUSÉS:

- L'utilisation d'un combustible inapproprié ou de morceaux de bois trop petits qui, normalement, auraient été utilisés comme bois d'allumage.
- Accumulation de crésote dans la cheminée.
- Une porte laissée entrouverte trop longtemps créant des températures extrêmes lorsque l'air est entraîné précipitamment par la porte ouverte.
- Si équipé; faire fonctionner votre appareil sans le bouchon de cendres mal installé.

#### SOLUTIONS:

- Ne brûlez pas de bois traité ou transformé, de charbon, de charbon de bois, de papier de couleur ou de carton.
- Ont nettoyé la cheminée régulièrement.
- Faites attention de ne pas surchauffer l'appareil en laissant la porte ouverte trop longtemps après l'allumage initial. Un thermomètre sur le conduit de raccordement ou sur le dessus de l'appareil serait utile.
- Si équipé, toujours faire fonctionner l'appareil avec le vouchon de cendres installée.

#### EN CAS DE FEU DE CHEMINÉE:

- Fermez la porte vitrée et la prise d'air de l'appareil (et l'amortisseur, si équipé).
- Ayez un plan d'évacuation bien compris de tous et désignez un lieu de rassemblement à l'extérieur. Préparez-vous à évacuer les lieux pour assurer la sécurité de chacun.
- Appelez votre service d'incendie. Ayez un extincteur sous la main. Contactez les autorités locales pour savoir quoi faire en cas de feu de cheminée.
- Après que le feu de cheminée est éteint et avant d'allumer un autre feu, nettoyez et inspectez la cheminée pour des signes de détérioration ou des fissures. Vérifiez également les matériaux combustibles autour de la cheminée et du toit.

## 6.4 nettoyage de cheminée

La cheminée et l'appareil doivent être inspectés et nettoyés s'il y a lieu au moins une fois l'an.

En cas d'utilisation fréquente du chauffage au bois, le nettoyage de la cheminée doit être fait au besoin pour éviter des feux de cheminée. Les systèmes d'évacuation des appareils à combustion contrôlée peuvent nécessiter un nettoyage aussi fréquent qu'une fois par mois. Cependant, cette fréquence dépend des habitudes de chauffage de la personne qui utilise l'appareil. À titre d'exemple, il est possible d'obstruer la cheminée d'un appareil à combustible solide en quelques jours si l'appareil brûle lentement et que la cheminée est froide.

#### note:

Les utilisateurs qui font toujours des feux chauds auront rarement d'importantes accumulations de crésote dans la cheminée.

Lors du nettoyage de la cheminée, certains éléments doivent être considérés :

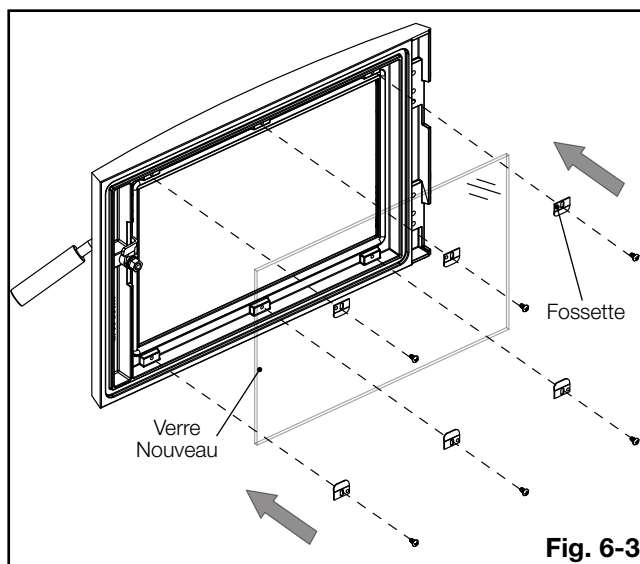
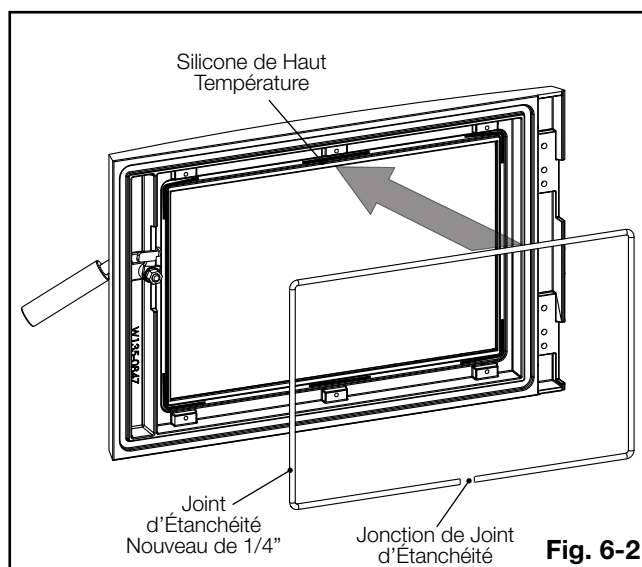
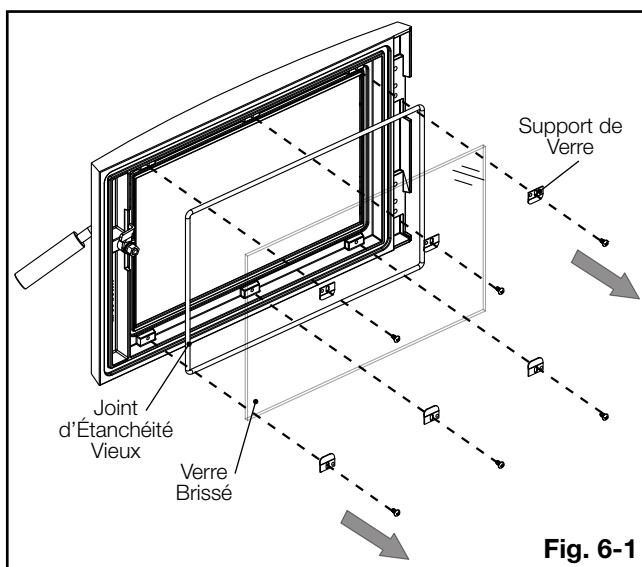
- Les outils appropriés doivent être utilisés, incluant une brosse spécialement conçue pour le ramonage de la cheminée.
- Les conduits de raccordement, le registre et la cheminée doivent être nettoyés.
- La chambre de combustion et les déflecteurs doivent être nettoyés au besoin.
- La cheminée doit être inspectée et réparée au besoin, de préférence par un ramoneur ou un maçon qualifié.

## 6.5 remplacement de verre de porte

### ! AVERTISSEMENT

- N'utilisez pas de matériaux de substitution.
- La vitre peut être chaude, ne touchez pas la vitre jusqu'à ce qu'elle ait refroidi.
- Utilisez de la prudence lorsque vous enlevez et jetez des débris de verrou des composants endommagés. Assurez-vous d'aspirer tous les débris de verre à l'intérieur de l'appareil avant de le faire fonctionner.
- Ne frappez pas, ne claquez pas et n'égratignez pas la porte vitrée. Ne faites pas fonctionner l'appareil lorsque la porte vitrée est enlevée, fissurée, brisée ou égratignée

1. Lorsque l'appareil est refroidi, demandez à deux personnes de retirer la porte et la placez face vers le bas sur une surface douce et non-abrasive (voir la section « enlèvement de porte »). Faites attention de ne grattez pas la peinture.
2. Retirez les 6 vis servant à fixer les supports du verre (**Fig. 6-1**). Mettez de côté les vis et les supports de verre.
3. Retirez tout le verre brisé et le joint d'étanchéité vieux.
4. Appliquez **silicone de haut température** (non fourni) dans la rainure de joint d'étanchéité comme illustré (**Fig. 6-2**).
5. Coupez le joint d'étanchéité de 1/4" (fourni) à taille et le placez au dessus du silicone. Appuyez le joint d'étanchéité fermement d'assurer qu'il reste en place. Assurez-vous que le jonction de joint d'étanchéité face vers le bas comme illustré (**Fig. 6-2**).
6. Placez le verre nouveau au dessus du joint d'étanchéité.
7. Fixez encore les 6 supports de verre en installant les 6 vis précédemment retirez en étape 2 (**Fig. 6-3**). Assurez-vous que les fossettes des supports face en la direction opposé du verre.
8. Réinstallez la porte.



### **! AVERTISSEMENT**

- Ne pas nettoyer la vitre lorsqu'elle est chaude! N'employez pas de détergents abrasifs pour nettoyer la vitre.

Si vous ne nettoyez pas les dépôts régulièrement, la vitre risque de rester marquée en permanence. Normalement, un feu très chaud maintiendra la vitre propre. Les raisons les plus fréquentes pour lesquelles la vitre se salit sont:

- Trop peu de combustible est utilisé pour réchauffer suffisamment l'appareil.
- L'utilisation de bois vert ou humide.
- Le contrôle de combustion est trop fermé, créant une insuffisance d'air pour réaliser une combustion complète.

S'il est nécessaire de nettoyer la vitre, utilisez un linge doux avec un nettoyeur sans abrasif. Nettoyez la vitre avec un nettoyeur recommandé après les dix premières heures de fonctionnement. Par la suite, nettoyez aussi souvent qu'il le faudra.

La vitre est très résistante, mais ne laissez pas de bois en combustion s'appuyer contre elle. Fermez toujours la porte doucement.

#### **NE FORCEZ JAMAIS POUR LA FERMER!**

Ne pas faire fonctionner l'appareil avec la verre brisé, les fuites de gaz de combustion peut résulter.

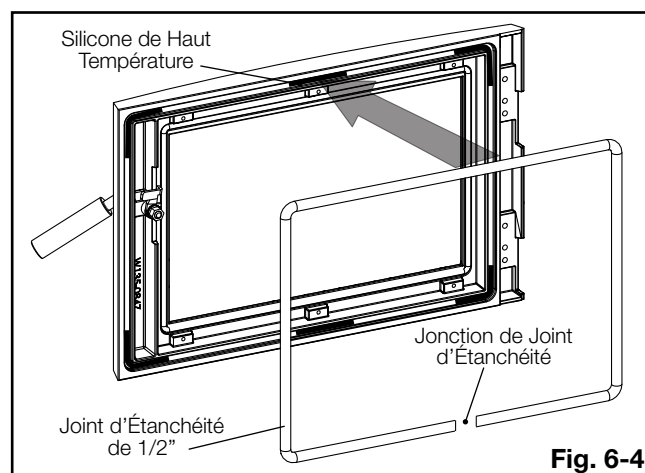
Contactez votre détaillant local autorisé pour les instructions de nettoyage complètes.

Si la vitre devait fissurer pendant que le feu brûle, n'ouvrez pas la porte jusqu'à ce que le feu s'éteigne et n'utilisez pas l'appareil jusqu'à ce que la vitre ait été remplacée par une nouvelle, disponible chez votre détaillant autorisé. **N'UTILISEZ PAS DE MATÉRIAUX SUBSTITUTS.**



## 6.7 remplacement de joint d'étanchéité de porte

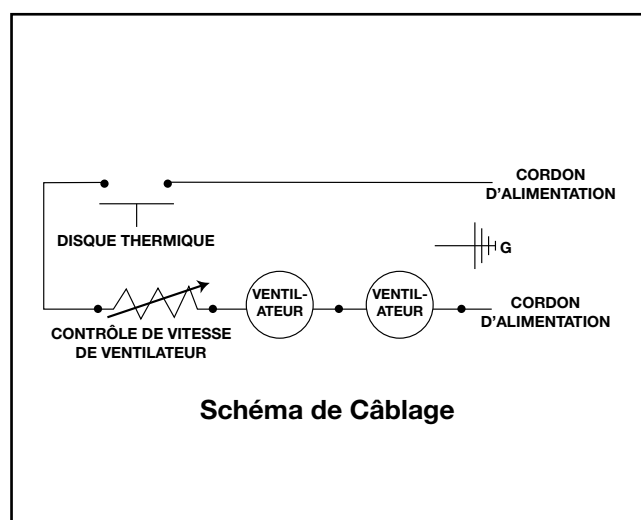
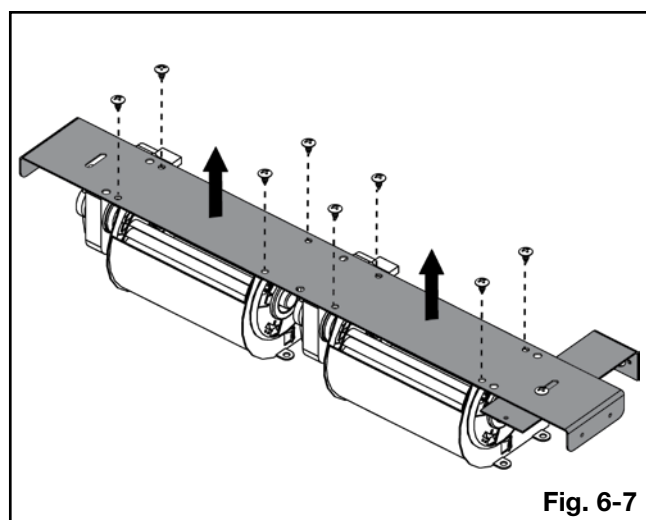
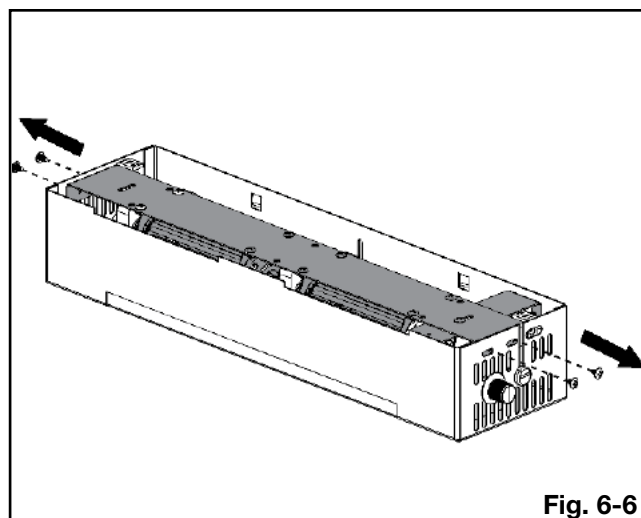
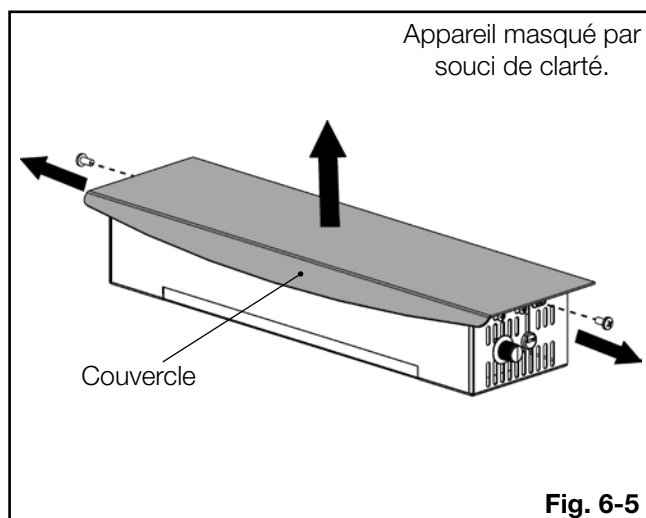
1. Lorsque l'appareil est refroidi, retirez la porte et la placez face vers le bas sur une surface douce et non-abrasive (voir la section « enlèvement de porte »). Faites attention de ne gratter pas la peinture.
2. Appliquez le silicone de haut température (non fourni) dans la rainure de joint d'étanchéité comme illustré (**Fig. 6-4**).
3. Coupez le joint d'étanchéité de 1/2" (fourni) à taille et le placez au dessus du silicone. Appuyez le joint d'étanchéité fermement pour assurer qu'il reste en place. Assurez-vous que le jonction du joint d'étanchéité face vers le bas comme illustré (**Fig. 6-4**).
4. Réinstallez la porte.



**Fig. 6-4**

## 6.8 entretien ou remplacement de soufflerie

- A. Coupez l'alimentation électrique à l'appareil.
- B. Retirez les 2 vis servant à fixer le couvercle au boîtier de la soufflerie (**Fig. 6-5**). Mettez de côté le couvercle et les vis.
- C. Retirez les 4 vis servant à fixer le support au boîtier de la soufflerie (**Fig. 6-6**). Faites glisser les souffleries (attachés au support) des déflecteurs de boîtier et les soulevez. Mettez de côté les vis et les souffleries (attachés au support).
- D. Si la poussière et les déchets ont accumulés, aspirez les souffleries et le boîtier de la soufflerie avant de ré-installation.
- E. Si l'entretien ou remplacement de la soufflerie est requis, retirez les 8 vis servant à fixer les souffleries au support (**Fig. 6-7**).
- F. Inversez ces étapes d'installer la soufflerie.



### **! AVERTISSEMENT**

- Cet appareil est conçu de brûler bois naturel seulement. Ne brûlez pas du bois traité, du charbon, du papier de couleur, du carton, du solvant, ou des déchets. Cet appareil n'a pas été testé avec un ensemble de bûches à gaz non ventilées. Afin de réduire le risque d'incendie ou de blessure, n'installez pas d'ensemble de bûches à gaz non ventilées dans cet appareil.
- Les plus haute efficacité et les plus bas émissions résultent généralement lorsque vous brûlez du bois dur assaisonné et séché à l'air, en comparaison avec du bois mou ou du bois dur qui est trop vert ou fraîchement coupé.
- Le brûlant du bois mouillé et non-assaisonné peut causer l'accumulation excessive de la créosote. Une fois enflammé, elle peut causer un feu de cheminée qui peut résulter dans un incendie de la maison grave.
- Ne stockez pas du carburant dans le domaine du dégagement aux combustibles, ou dans l'espace requis pour le ravitaillement et l'enlèvement des cendres.

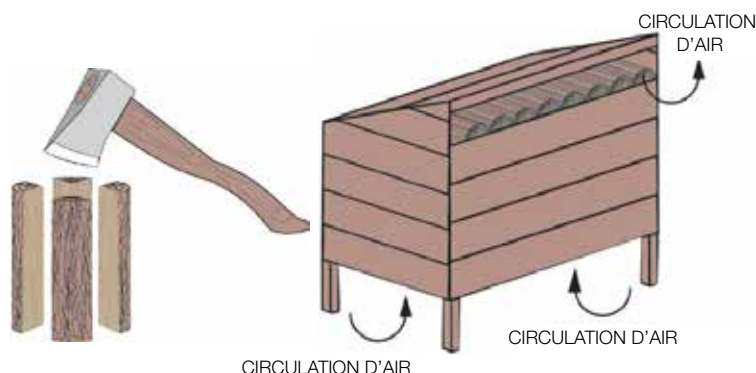
Avant de charger l'appareil, assurez-vous que tous les déflecteurs et l'isolation nécessaire (si applicable) sont installés et situés correctement. Pour assurer une efficacité maximale lorsque l'appareil est réchauffé, remplissez-le avec du bois jusqu'au maximum spécifié et brûlez en réglant à feu moyen-bas (si applicable). Des briques presque entièrement blanches et une vitre presque entièrement propre sont de bons indicateurs que votre appareil fonctionne efficacement. Lorsque vous ne brûlez que quelques bûches, l'appareil ne produira pas assez de chaleur ou le bois ne brûlera pas complètement.

#### **note:**

Les appareils qui sont entourés par les roches solides ou les briques connaîtront une période de chauffe plus longue car ceux matériaux absorbent la chaleur qui est généré.

#### **TYPES DE BOIS**

Le bois dur brûle aussi bien que le bois résineux dans cet appareil; par contre, le bois dur est plus dense, plus lourd, brûle plus lentement et plus longtemps. Les bûches artificielles obtenues par la compression de fibre de bois 100% naturelle peuvent être utilisées sans danger comme combustible. N'utilisez pas des bûches artificielles contenant des additifs comme de la paraffine, de la cire, des liants, etc. Ne brûlez jamais plus de deux bûches artificielles à la fois.



#### **CONTIENT D'HUMIDITÉ**

Ne brûlez que du bois propre, non peint et bien sec. Il produit plus de chaleur et moins de suie et de créosote. Le bois fraîchement coupé contient environ 50% d'humidité tandis qu'une fois séché, il n'en contient que 20%. Quand le bois brûle, l'eau bout en consommant une partie de l'énergie qui aurait dû produire de la chaleur. Plus le bois est humide, moins il y aura de chaleur et plus il y aura de créosote. Le bois sec a des craquelures dans les extrémités.

#### **STOCKAGE DE BOIS**

Bois de chauffage doit être divisé et empilés de façon à permettre la circulation de l'air complet et couverts au début du printemps pour être prêt pour la gravure de l'automne. Bois de chauffage sec a des fissures dans la fin du grain.

Coupez le bois de façon à ce qu'il puisse rentrer horizontalement, de l'arrière vers l'avant, dans l'appareil. Ceci facilite le chargement et il y aura moins de risque que le bois roule sur la vitre.

Le combustible pour l'appareil ne doit pas être entreposé à l'intérieur des dégagements minimaux aux matériaux combustibles (matériau sensible à la chaleur). **N'ENTREPOSEZ JAMAIS DE BOIS DANS LE COMPARTIMENT DU TIROIR À CENDRES (s'il y a lieu).**

### **AVERTISSEMENT**

- Omettre de positionner les pièces conformément à ce manuel ou d'utiliser uniquement des pièces spécifiquement approuvées pour cet appareil peut causer des dommages matériels ou des blessures corporelles.

Contactez votre détaillant pour les questions concernant les prix et la disponibilité des pièces de remplacement. Normalement, toutes les pièces peuvent être commandées chez votre détaillant autorisé.

**Pour un remplacement de pièce sous garantie, une photocopie de la facture originale sera requise afin de pouvoir honorer la demande.**

Lorsque vous commandez des pièces, donnez toujours l'information suivante:

- Modèle et numéro de série de l'appareil
- Date d'installation de l'appareil
- Numéro de la pièce
- Description de la pièce
- Fini

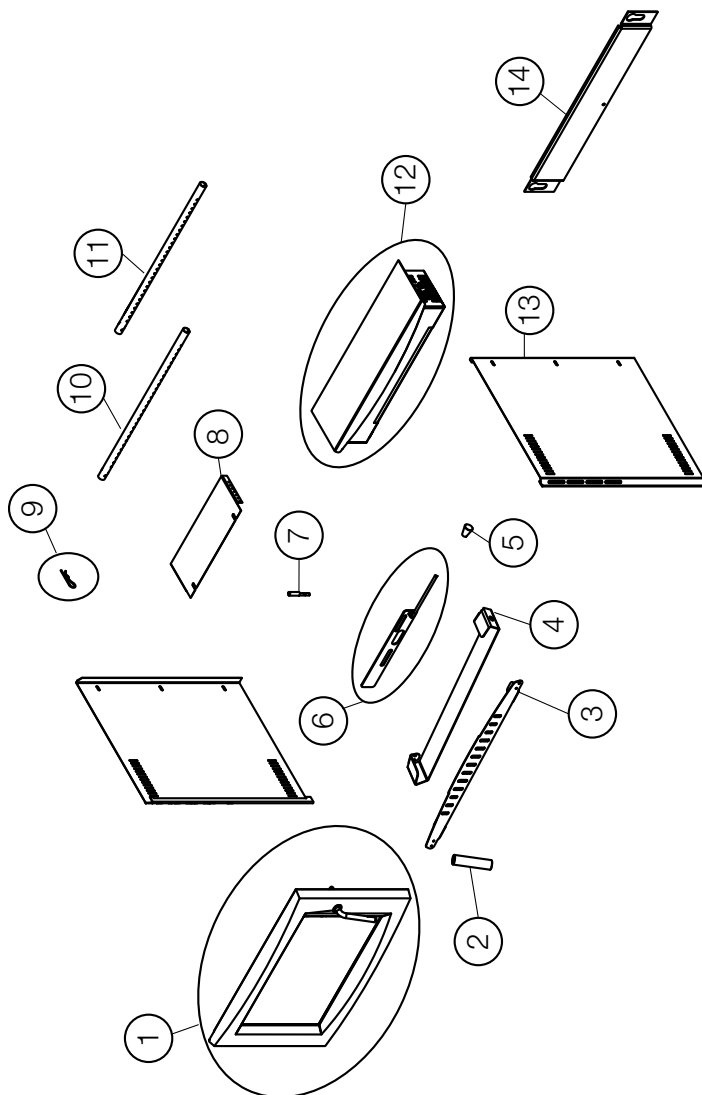
**Pièces, numéro des pièces et s'il soit disponible peut changer sans préavis.**

**Parties identifiées comme garnie seront livrés dans 2 à 5 jours pour la plupart des destinations de livraison.**

**Pièces non identifiées que stockés seront livrés dans un délai de 2 à 4 semaines pour la plupart des cas.**

**Pièces identifiées comme « SO » sont commande spéciale et peuvent prendre jusqu'à 90 jours pour la livraison.**

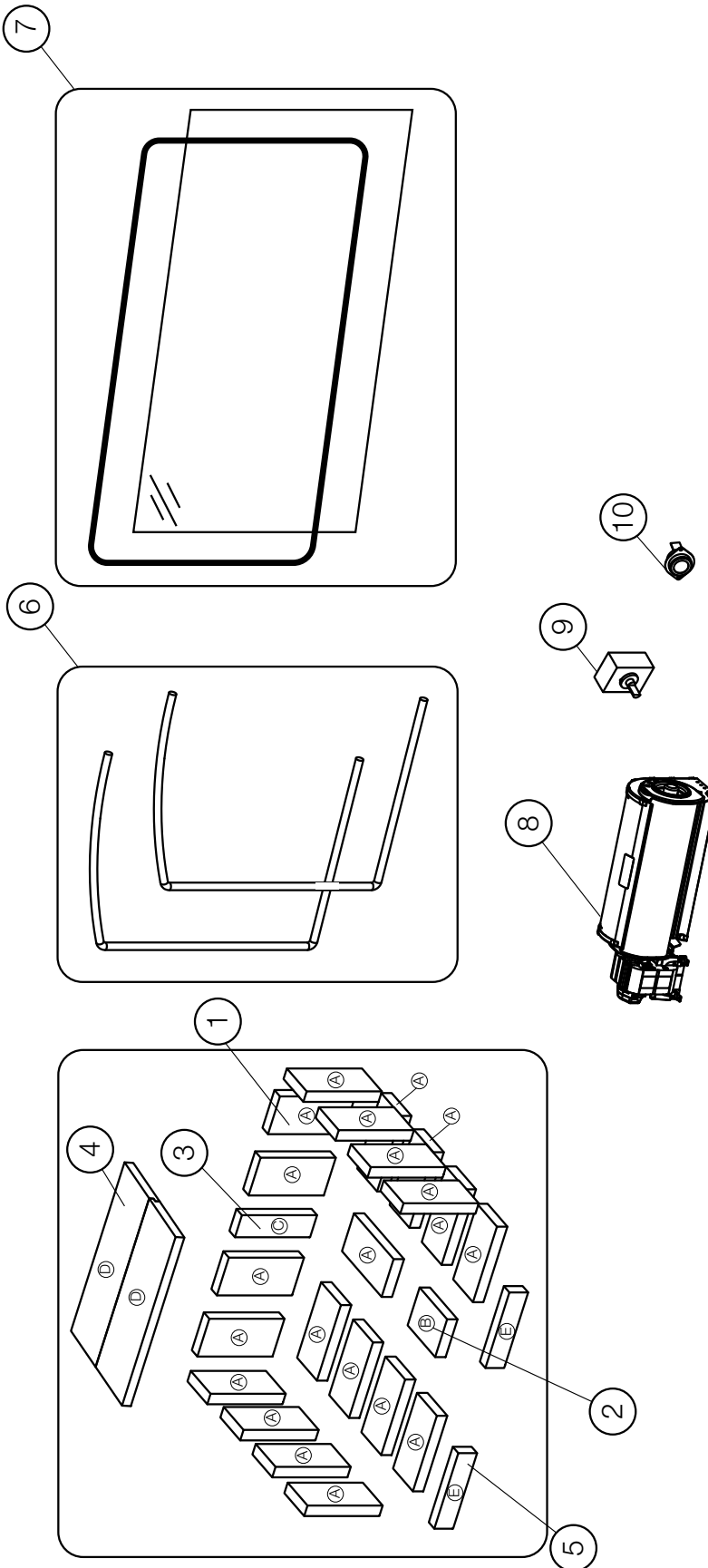
## 7.1 vue d'ensemble partie 1



Ces articles peuvent différer de ceux illustrés.

Réf.	No. de Partie	Description	No. de Partie	Description	En Stock
1	W010-4550	Assemblage, porte et verre	8	Canal d'air, soufflerie, ajustable	
2	W325-0103	Poignée, porte avant	9	Épingle, goupille fendue	Oui
3	W200-0785	Couvercle, air primaire, inférieur	10	Tuyau, air secondaire avant	
4	W200-0784	Couvercle, air primaire	11	Tuyau, air secondaire (x3)	
5	W380-0034	Bouton, contrôle d'air primaire	12	Assemblage, soufflerie	
6	W010-4589	Assemblage, contrôle d'air	13	Bouclier de chaleur, arrière	
7	W485-0053	Ressort de cam, ajustable	14	Support de montage de soufflerie	

7.2 vue d'ensemble partie 2

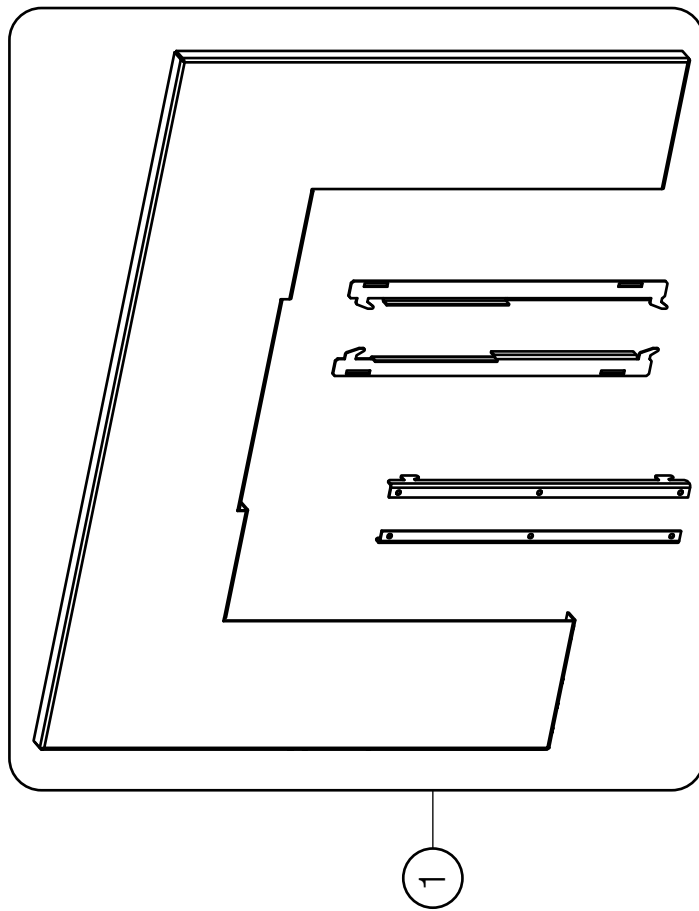


Ces articles peuvent différer de ceux illustrés.

Réf.	No. de Partie	Description	En Stock
1	W090-0338	Brique, 1.250 x 4.500 x 9.000 (A)	
2	W090-0340	Brique, 1.250 x 6.250 x 4.500 (B)	
3	W090-0341	Brique, 1.250 x 2.625 x 9.000 (C)	
4	W010-3564	Défecteur, fibre en céramique (D)	Oui
5	W090-0339	Brique, 2.250 x 9.000 x 1.250 (E)	
6	W562-0002-SER	Ensemble, joint d'étanchéité de porte	Oui
7	W300-0168-SER	Ensemble, verre et joint d'étanchéité	Oui
8	W062-0077-SER	Soufflerie, remplacement (6,5" circulation transversal)	Oui
9	KB-35	Interrupteur de vitesse variable	Oui
10	W690-0002	Thermodisque (détecteur de chaleur)	Oui

## 8.0 accessoires

FR



Ces articles peuvent différer de ceux illustrés.

Réf.	No. de Partie	Description	En Stock
1	SCH1B3041	Contour d'une pièce en charbon	

## AVERTISSEMENT

- Coupez l'alimentation électrique avant de procéder à l'entretien de l'appareil.
- L'appareil peut être chaud, attendez qu'il soit refroidi avant d'en faire entretien.
- N'utilisez pas de produits d'entretien abrasifs.
- Lorsque vous vérifiez des connexions, que vous installez des fils de dérivation (pour effectuer des testes uniquement) ou que vous remplacez des composants, débranchez l'appareil du réceptacle afin d'éviter les chocs électriques ou des dommages aux composants.

symptôme	solutions
Le feu ne s'allume pas.	<p>Pas assez de bois d'allumage/de papier? Ajoutez-en.</p> <p>Pas assez d'air? Assurez-vous que le contrôle d'air est complètement ouvert.</p> <p>Blocage d'air froid? Brûlez un morceau de papier journal pour créer un tirage.</p> <p>Utilisez du bois bien sec de 20% d'humidité.</p> <p>Conduit obstrué? Inspectez la cheminée.</p>
Présence de fumée lorsque la porte est ouverte.	<p>Blocage d'air froid? Brûlez un morceau de papier journal pour créer un tirage.</p> <p>Tirage insuffisant? Ajoutez des conduits.</p> <p>Laissez l'air se stabiliser avant d'ouvrir la porte.</p> <p>Assurez-vous que les déflecteurs sont bien positionnés.</p> <p>Pression négative? Ouvrez une fenêtre située près de l'appareil.</p>
Une odeur se dégage de l'appareil.	<p>Cuisson de la peinture, voir la section « instructions générales ».</p>
L'appareil ne devient pas suffisamment chaud.	<p>Le bois a plus de 20% d'humidité.</p> <p>Tirage insuffisant? Ajoutez des conduits.</p> <p>Pas assez d'air? Assurez-vous que le contrôle d'air est complètement ouvert. Assurez-vous que le contrôle d'air n'est pas obstruée.</p>
Le bois brûle trop rapidement.	<p>Le contrôle d'air doit possiblement être réduit.</p> <p>Assurez-vous que le couvercle de la chute à cendres est bien installé (s'il en est muni).</p> <p>Vérifiez que le joint d'étanchéité de la porte est bien hermétique.</p> <p>Le bois peut être extrêmement sec.</p>
Vitre sale.	<p>Le contrôle d'air peut être trop fermé.</p> <p>Faites des deux plus chauds et plus petits.</p> <p>Utilisez du bois bien chevronné avec 20% d'humidité.</p>
La soufflerie ne fonctionne pas.	<p>L'appareil n'a peut-être pas atteint sa température.</p> <p>Assurez-vous que la soufflerie est bien branchée.</p>

# 10.0 garantie

FR

Les produits **Napoléon** sont fabriqués conformément aux normes strictes du Système de Gestion de la Qualité mondialement reconnu ISO 9001 : 2015.

Les produits **Napoléon** sont conçus avec des composants et des matériaux de qualité supérieure, assemblés par des artisans qualifiés qui sont fiers de leur travail. Une fois assemblé, chaque appareil est soigneusement inspecté par un technicien qualifié avant d'être emballé pour garantir que vous, le client, recevez le produit de qualité dont vous vous attendez de **Napoléon**.

## Garantie à Vie Limitée du Président des appareils à bois Napoléon

Les matériaux suivants et la fabrication de votre nouveau poêle à bois **Napoléon** sont garantis contre les défauts tant que vous en êtes le propriétaire. Pour les appareils aux granules ceci couvre: le réservoir à granules, le caisson extérieur, la vitre en céramique (cassure thermique seulement) et le tiroir à cendres.\* Pour les appareils à bois ceci couvre: la chambre de combustion, l'échangeur de chaleur, l'attache du déflecteur en acier inoxydable, la vitre en céramique (cassure thermique seulement), les pièces plaquées or contre le ternissement, les composants en porcelaine émaillée, les moules d'extrusion en aluminium, déflecteurs vortex, le tiroir à cendres et les pièces moulées en fonte.\*

Pour l'appareil aux granules la chambre de combustion et l'échangeur de chaleur sont garantis contre les défauts pour une période de 5ans. Pour les appareils à bois équipée avec une système de guillotine du porte/écran il sera garanti contre les défauts pour une période de 5ans.

Les composants électriques (110V) et les pièces soumises à l'usure sont couverts et **Napoléon** fournira gratuitement les pièces de rechange durant la première année de la garantie limitée. Pour les appareils aux granules ceci couvre: la soufflerie, l'interrupteur thermique et le tiroir à cendres.\* Pour les appareils à bois ceci couvre: la soufflerie, l'interrupteur thermique, les interrupteurs, l'installation électrique, les briques réfractaires, tuyaux d'air secondaires et les joints d'étanchéité.\*

Les coûts de main-d'oeuvre relatifs aux réparations garanties sont couverts gratuitement durant la première année, avec l'exception du système de guillotine du porte/écran qui sera couverts gratuitement pour une période de 3 ans. Cependant, les travaux de réparation nécessitent l'approbation préalable d'un représentant autorisé de la compagnie. Les coûts de main-d'oeuvre à la charge de **Napoléon** sont basés sur un programme de tarifs prédéterminés et tout travail de réparation doit être accompli par l'entremise d'un détaillant autorisé **Napoléon**.

Les pièces telles que les briques réfractaires et les déflecteurs devraient être retirées occasionnellement par l'opérateur dans le cadre d'un entretien normal. Par conséquent, les coûts de main-d'oeuvre associés au remplacement de l'une de ces pièces ne sont pas couverts par la garantie.

\* La fabrication de chaque modèle varie. La garantie s'applique uniquement aux composants disponibles avec votre appareil.

## Conditions et Limitations

**Napoléon** garantit ses produits contre les défauts de fabrication à l'acheteur d'origine seulement. L'enregistrement de la garantie n'est pas nécessaire. Fournissez simplement une preuve d'achat ainsi que le modèle et le numéro de série afin d'effectuer une réclamation de garantie.

L'achat doit avoir été fait par l'entremise d'un détaillant **Napoléon** autorisé et sous réserve des conditions et limitations suivantes:

La couverture de la garantie débute à partir de la date d'installation originale.

Cette garantie du fabricant n'est pas transférable et ne peut être prolongée ou étendue par aucun de nos représentants quelle qu'en soit la raison.

L'appareil à bois doit être installé par un installateur autorisé qualifié, une agence de service ou fournisseur. L'installation doit être faite conformément aux instructions d'installation incluses avec le produit et à tous les codes d'incendie et de construction locaux et nationaux.

Cette garantie limitée ne couvre pas les dommages causés par un mauvais usage, un manque d'entretien, un accident, des altérations, des abus ou de la négligence, et l'installation de pièces d'autres fabricants annulera cette garantie.

Cette garantie limitée ne couvre pas les dommages causés par un mauvais usage, un manque d'entretien, un accident, des altérations, des abus ou de la négligence, et l'installation de pièces d'autres fabricants annulera cette garantie.

Faire fonctionner l'appareil au réglage maximal pendant des périodes prolongées constitue de la négligence. L'installation de pièces d'autres fabricants annulera cette garantie.

Cette garantie limitée ne couvre pas non plus les égratignures, le bossellement, la corrosion ou la décoloration causée par une chaleur excessive, des produits d'entretien chimiques et abrasifs ou l'écaillage des pièces en porcelaine émaillée, le bris de tout composant de ventilation utilisé dans l'installation de l'appareil.

Au cours de la première année seulement, cette garantie s'étend à la réparation ou au remplacement des pièces garanties dont les matériaux ou la fabrication sont défectueux sous condition que le produit ait été utilisé conformément aux instructions de fonctionnement et dans des conditions normales.

Après la première année, concernant cette Garantie à Vie Limitée du Président, **Napoléon** peut, à sa discrétion, se libérer entièrement de toutes obligations en ce qui concerne cette garantie en remboursant à l'acheteur d'origine le prix de gros de toute pièce garantie qui est défectueuse.

Après la première année, **Napoléon** ne sera pas responsable de l'installation, de la main-d'oeuvre ou autres coûts ou dépenses relatives à la réinstallation d'une pièce garantie et de telles dépenses ne sont pas couvertes par cette garantie.

Nonobstant toutes les dispositions contenues dans cette Garantie à Vie Limitée du Président, la responsabilité de **Napoléon** sous cette garantie est définie comme ci-dessus et elle ne s'étendra à aucun dommage accidentel consécutif ou indirect.

Cette garantie définit l'obligation et la responsabilité de **Napoléon** en ce qui concerne l'appareil à bois **Napoléon**. Toute autre garantie énoncée ou implicite en ce qui concerne ce produit, ses composants ou accessoires est exclue.

**Napoléon** n'endosse ni n'autorise aucun tiers à assumer en son nom toute autre responsabilité concernant la vente de ce produit. **Napoléon** ne sera pas responsable d'une surchauffe, des foylements, des déversements causés par des conditions environnementales telles que des toits, des bâtiments, la proximité d'arbres, de collines, de montagnes, une ventilation ou des événements inadéquats, des configurations d'évacuation excessives, un apport d'air insuffisant ou des pressions négatives qui peuvent ou non être causés par des systèmes mécaniques tels que les ventilateurs d'évacuation, les fournaies, les sèche-linge, etc.

Tout dommage causé à l'appareil, à la chambre de combustion, à l'échangeur de chaleur, aux garnitures plaquées ou autres composants par l'eau, les dommages causés par les intempéries, de longues périodes d'humidité, la condensation, des produits chimiques ou produits d'entretien nuisibles ne seront pas la responsabilité de **Napoléon**.

Le nettoyage régulier de la fine cendre générée durant le fonctionnement de cet appareil est nécessaire au bon entretien de votre appareil aux granules. Tout dommage aux composantes qui est attribuable à un manque d'entretien ne sera pas couvert par cette garantie.

**Napoléon** se réserve le droit de demander à son représentant d'inspecter tout produit ou pièce avant d'honorer toute réclamation.

Toutes les pièces remplacées en vertu de la politique de Garantie à vie limitée du Président ne peuvent faire l'objet que d'une seule réclamation.

Durant les dix premières années, **Napoléon** remplacera ou réparera les pièces défectueuses qui sont couvertes par la garantie à vie limitée à sa discrétion gratuitement. Après les dix premières années, **Napoléon** fournira les pièces de rechange à 50 % du prix de détail courant.

Toutes les pièces remplacées au titre de la garantie seront couvertes pour une période de 90 jours à partir de leur date d'installation.

Le fabricant peut exiger que les pièces défectueuses ou les produits soient retournés ou que des photos numériques soient fournies pour valider la réclamation. Les produits retournés doivent être expédiés port payé au fabricant pour une inspection en usine. Si un produit est déclaré défectueux, le fabricant le réparera ou le remplacera.

Avant d'expédier votre appareil ou les pièces défectueuses, votre détaillant doit obtenir un numéro d'autorisation. Toute marchandise expédiée à notre usine sans autorisation sera refusée et retournée à l'expéditeur.

Les coûts d'expédition ne sont pas couverts par cette garantie.

Des frais de service supplémentaires peuvent être appliqués si vous cherchez à obtenir des services au titre de la garantie auprès d'un détaillant.

Les indemnités de main-d'oeuvre au titre de la garantie s'appliquent uniquement pour le remplacement d'une pièce garantie. Les frais de déplacement, de tests de diagnostic, d'expédition et autres frais afférents ne sont pas couverts par cette garantie.

Toutes les spécifications et les conceptions sont sujet à modifications sans préavis en raison des améliorations constantes apportées aux produit.

**Napoléon** est une marque de commerce déposée de Wolf Steel Ltée.







# NAPOLÉON CÉLÈBRE PLUS DE 40 ANS D'EXISTENCE CONSACRÉS À LA CONCEPTION DE PRODUITS DE CONFORT



7200, Route Transcanadienne, Montréal, Québec H4T 1A3  
24 Napoleon Road, Barrie, Ontario, Canada L4M 0G8  
214 Bayview Drive, Barrie, Ontario, Canada L4N 4Y8  
103 Miller Drive, Crittenden, Kentucky, USA 41030  
De Riemsdijk 22, 4004 LC Tiel, Pays-Bas

Téléphone: 1-866-820-8686  
[napoleon.com](http://napoleon.com)