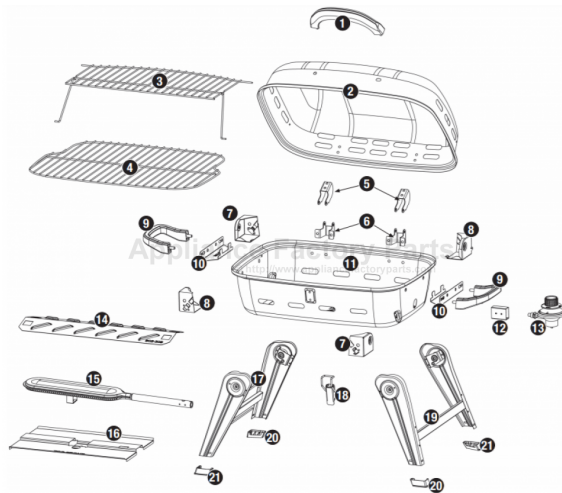


This Owner's Manual is provided and hosted by [Appliance Factory Parts](#).



# REVOACE GBT1111J Owner's Manual

[Shop genuine replacement parts for REVOACE  
GBT1111J](#)



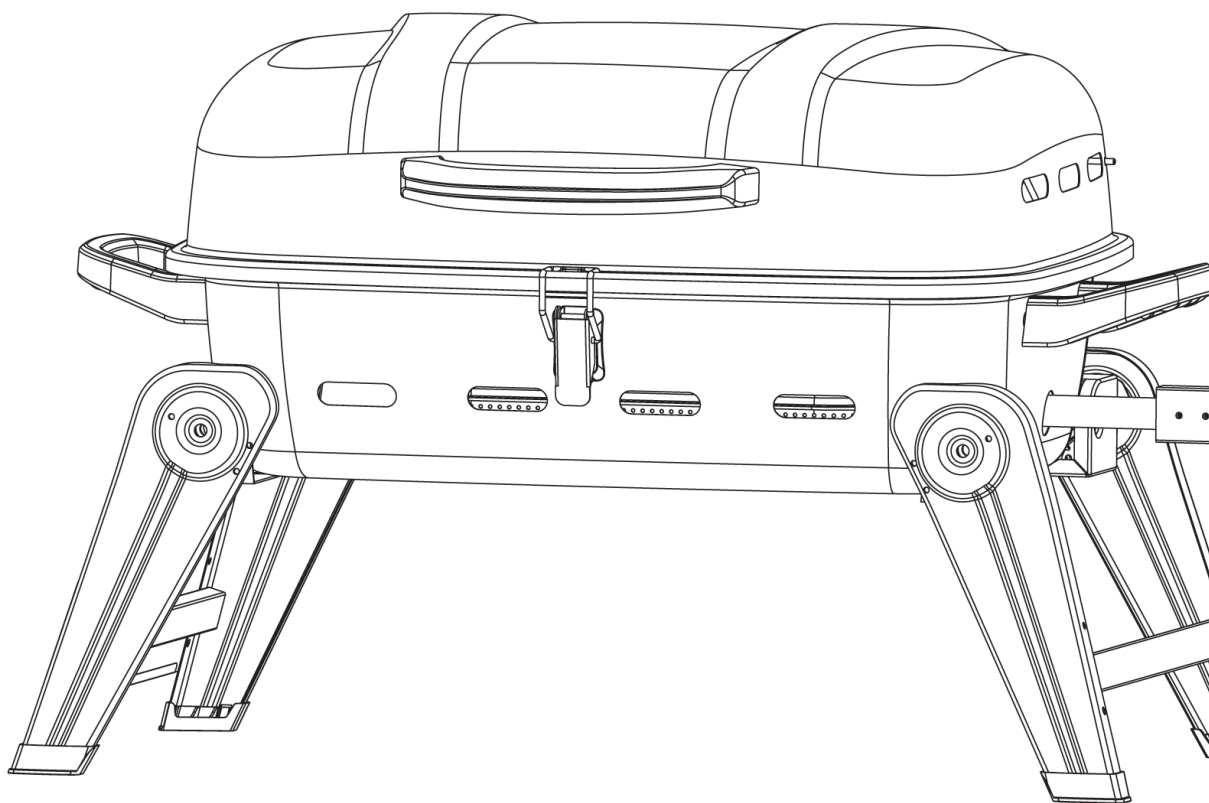
[Find Your REVOACE Grill Parts - Select From 56 Models](#)

----- Manual continues below -----

# GrillBoss<sup>®</sup> OWNER'S MANUAL

## Outdoor LP Gas Barbecue Grill

Model No. GBT1111J



**WARNING**

**FOR YOUR SAFETY:**

1. Do NOT store or use gasoline or other flammable liquids or vapors in the vicinity of this or any other appliance.
2. An LP cylinder not connected for use shall not be stored in the vicinity of this or any other appliance.

**DANGER**

Never operate this appliance unattended.

**WARNING**

**FOR YOUR SAFETY:**  
For Outdoor Use Only  
(outside any enclosure)

**DANGER**

If you smell gas:

1. Shut off gas.
2. Extinguish.
3. Open lid.
4. If odor continues, contact appliance department.

**Table of Contents**

Important Safeguards . . . . .	Page 2
Expanded View & Hardware . . . . .	4
Assembly Instructions . . . . .	5

**WARNING**

**FOR YOUR SAFETY:**

1. Improper installation or alteration.



## Important Safeguards Warning

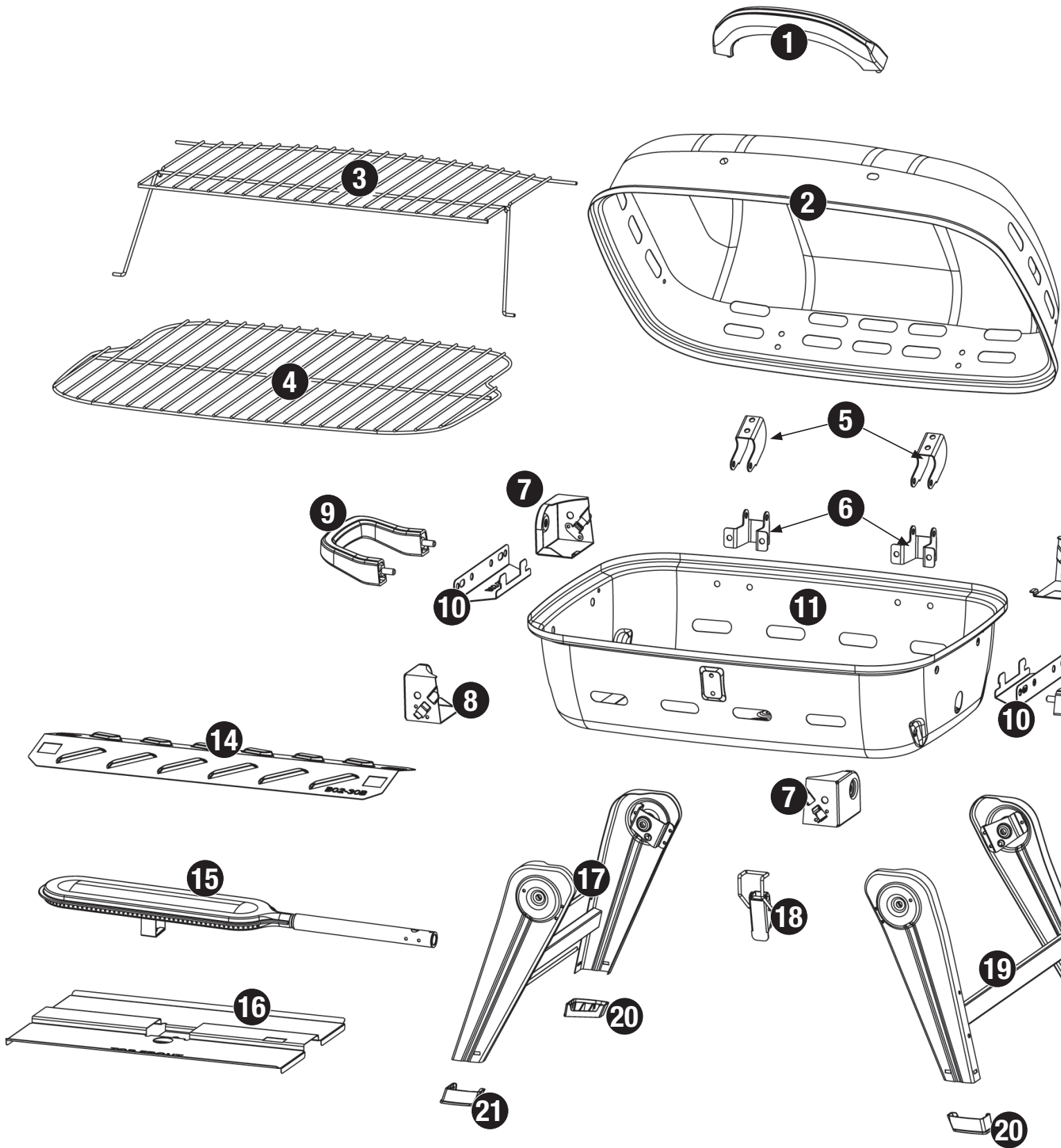
- ▲ This grill is for outdoor use only, and should not be used in a building, garage or any other enclosed area.
- ▲ Do NOT operate, light or use this appliance within ten feet (3.05 m) of walls, structures or buildings.
- ▲ For residential use only. This grill is NOT for commercial use.
- ▲ This grill is not intended for and should never be used as a heater. TOXIC fumes can accumulate and cause asphyxiation.
- ▲ This is NOT a tabletop grill. Therefore, do NOT operate this grill on any type of tabletop surface.
- ▲ This grill is safety certified for use in the United States and/or Canada only. Do NOT modify for use in any other location. This modification is a safety hazard and will void your warranty.
- ▲ This grill is for use with liquid propane (LP) gas only. The conversion to or attempted use of natural gas in this LP gas grill can cause bodily harm and will void your warranty.
- ▲ LP gas characteristics:
  - a. LP gas is flammable and hazardous if handled improperly. Become aware of the characteristics before using any LP gas.
  - b. LP gas is explosive under pressure, heavier than air, and settles and pools in low areas.
  - c. LP gas in its natural state has no odor. For your safety, an odorant is added that smells like rotten cabbage.
  - d. Contact with LP gas can cause freeze burns to skin.
- ▲ Apartment dwellers: Check with management to learn the requirements and fire codes for using a LP gas grill in your apartment. Do NOT use outside on the ground floor with a ten foot (3.05 m) clearance from any structure. Do NOT use on or under balconies.
- ▲ LP gas cylinder needed to operate. Only cylinders marked “propane” may be used.
- ▲ The LP gas cylinder must be constructed and marked in accordance with the *Specifications for LP-gas Cylinders of the Department of Transportation (D.O.T.), Cylinders, Spheres and Tubes for the Transportation of Dangerous Goods*; or the National Standard for the same.
- ▲ LP gas cylinder must be arranged for vapor withdrawal.
- ▲ Dented or rusted LP gas cylinders may be hazardous and should be checked by your LP gas supplier prior to use.
- ▲ The LP gas cylinder should not be dropped or handled roughly.
- ▲ LP gas cylinders must be stored outdoors out of the reach of children and must not be stored in a building, garage or other enclosed area. The cylinder must never be stored where temperatures can reach over 125°F.
- ▲ Do NOT insert any tool or foreign object into the valve outlet or safety relief valve. You may damage the valve and cause a gas leak that could result in an explosion, fire, severe personal injury or death.
- ▲ Do NOT block holes in sides, bottom or back of grill.
- ▲ Never keep an LP gas cylinder in a hot car or trunk. Heat will cause the gas pressure to increase, which may open the valve and cause a gas leak to escape.
- ▲ Do NOT store a spare LP gas tank under or within 25 feet (7.62 m) of this appliance.
- ▲ Never attempt to attach this grill to the self-contained LP gas system of a camper trailer, motor home or house.
- ▲ The use of alcohol, prescription or non-prescription drugs may impair the consumer’s ability to properly assemble or operate the grill.
- ▲ Strong odors, colds, sinus congestion, etc. may prevent the detection of propane. Use caution and common sense when using the grill.
- ▲ Never use charcoal, lighter fluid, lava rocks, gasoline, kerosene or alcohol with this product.
- ▲ Your grill has been checked at all factory connections for leaks. Recheck all connections as described in the “Operating Instructions” manual, as shipping can loosen connections.
- ▲ Check for leaks even if your unit was assembled for you by someone else.
- ▲ Do NOT operate if a gas leak is present. Gas leaks may cause a fire or explosion.
- ▲ You must follow all instructions in the “Checking for Leaks” section before operating. To prevent a fire or explosion hazard:
  - a. Always perform a leak test before lighting the grill and each time the cylinder is connected for use.
  - b. No smoking. Do NOT use or permit sources of ignition in the area while conducting a leak test.



## Important Safeguards Warning

- ▲ Use only RevoAce Inc. Limited factory-authorized parts. The use of any part that is not factory-authorized can be dangerous.
- ▲ Do NOT operate this appliance without reading “Operating Instructions” in this manual.
- ▲ Do NOT touch metal parts of grill until they have completely cooled to avoid burns, unless you are wearing protective mitts, etc.).
- ▲ Do NOT install or use in or on boats or recreational vehicles (RV).
- ▲ Do NOT use grill in a vehicle trunk, station wagon, mini-van or sport utility vehicle (SUV).
- ▲ When cooking, fire extinguishing materials should be readily accessible. In the event of an oil/grease fire, do NOT use type BC or ABC dry chemical fire extinguisher or smother with dirt, sand or baking soda.
- ▲ Move gas hoses as far away as possible from hot surfaces and dripping hot grease.
- ▲ Do NOT use grill in high winds.
- ▲ Never lean over the grill when lighting.
- ▲ Do NOT leave a lit grill unattended. Keep children and pets away from grill at all times.
- ▲ Do NOT leave grill unattended while preheating or burning off food residue on high. If grill has not been cleaned, a fire may damage the product.
- ▲ Do NOT place empty cooking vessels on the appliance while in operation.
- ▲ Use caution when placing anything on the grill while the appliance is in operation.
- ▲ Do NOT attempt to move grill when in use. Allow the grill to cool before moving or storing.
- ▲ LP gas cylinder must be properly disconnected and removed prior to moving this grill.
- ▲ Storage of grill indoors is permissible only if the cylinder is disconnected, removed from the grill and properly stored.
- ▲ Always open grill lid carefully and slowly as heat and steam trapped within grill can cause severe burns.
- ▲ Do NOT attempt to disconnect the gas regulator from the cylinder or any gas fitting while the grill is in use.
- ▲ Disconnect LP gas tank when not in use.
- ▲ Always place your grill on a hard, non-combustible, level surface. An asphalt or blacktop surface may not be acceptable.
- ▲ Do NOT use directly on wooden decks.
- ▲ Move gas hoses as far away as possible from hot surfaces and dripping hot grease.
- ▲ Keep all electrical cords away from a hot grill.
- ▲ After a period of storage and/or non-use, check for leaks, burner obstructions and inspect for any abrasion, wear or damage.
- ▲ Failure to open lid while igniting the grill’s burner(s), or not waiting five minutes to allow the gas to clear if the grill does not light, may result in an explosive flame-up.
- ▲ Never operate grill without its heat plates installed.
- ▲ Always use a meat thermometer to ensure food is cooked to a safe temperature.
- ▲ Use protective gloves when assembling this product.
- ▲ Do NOT force parts together as this can result in personal injury or damage to the product.
- ▲ Never cover entire cooking area with aluminum foil.
- ▲ Deaths, serious injury or damage to property may occur if the above is not followed exactly.

## Expanded View



## Parts List

<b>1</b>	Lid Handle	G0926-000	<b>8</b>	Leg Support B (2)*	G1111-322	<b>15</b>	Burner
<b>2</b>	Lid	G1411-010	<b>9</b>	Side Handle (2)	G1012-022	<b>16</b>	Heat Shield
<b>3</b>	Warming Rack	G1012-103	<b>10</b>	Heat Plate Support (2)	B0231-B00	<b>17</b>	Left Leg

## Assembly Instructions

# 1

### DO NOT RETURN TO PLACE OF PURCHASE.

For assistance, call **1.800.694.0013** toll-free. Please have your owner's manual and model number available for reference.

Note: The model number can be found on the back or side of the grill.

#### Assembly Tips:

1. Select an area where you will assemble this product. To protect components, choose a smooth surface that's free of cracks or openings.
2. Spread out all parts.
3. Tighten all hardware connections by hand first. Then, before completing each step, go back and fully tighten all hardware. Be careful not to over-tighten. That could damage surfaces or strip threads.
4. For best results, complete each step in the order presented.

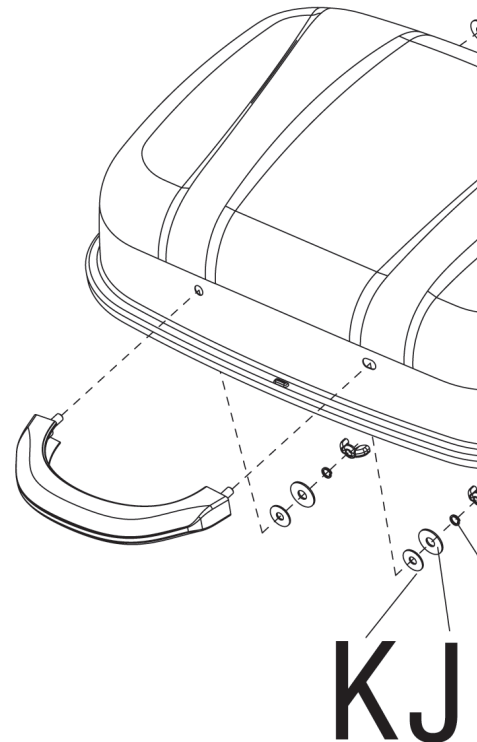
To complete assembly you will need:

- (1) Leak Detection Solution (instructions on how to make solution are included in "Operating Instructions" section).
- (1) 14.1 oz or (1) 16.4 oz LP gas tank (not included).

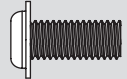

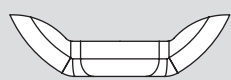

Typical assembly is approximately 30 minutes.

# 2

### Attach Lid Handle and To

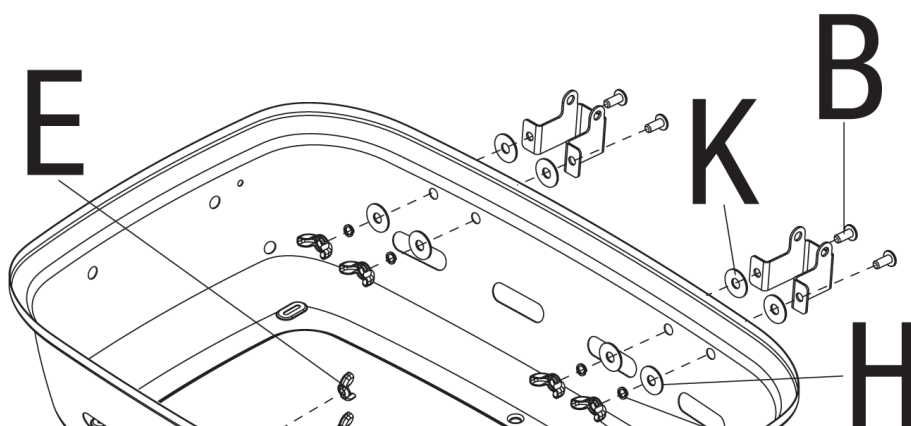


# KJ

B		x 4
F		x 4
G		x 2
H		x 4

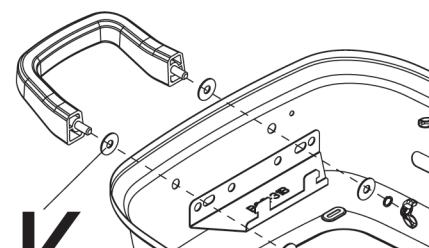
# 3

### Attach Lock and Bottom Hinges

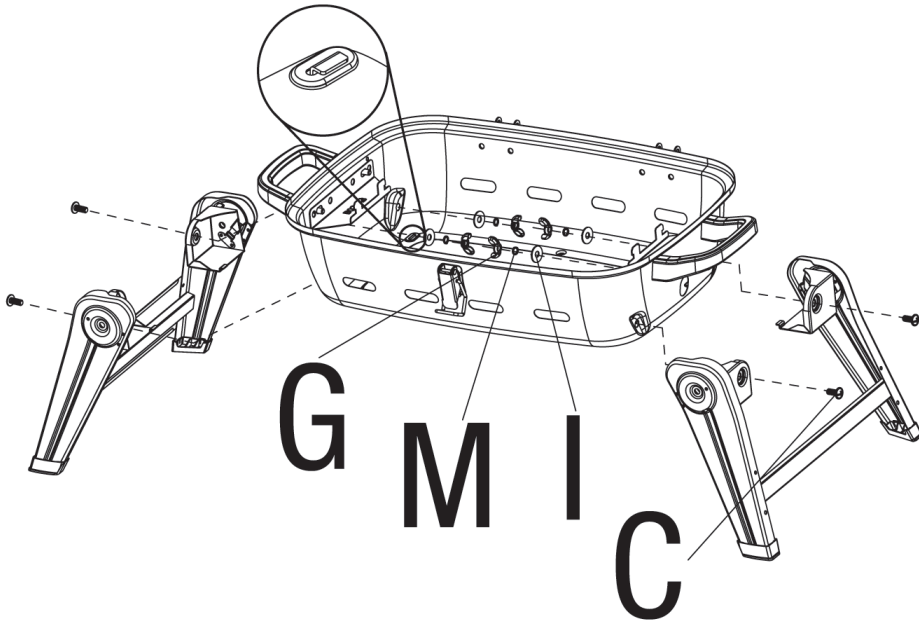


# 4

### Attach Heat Plate Support

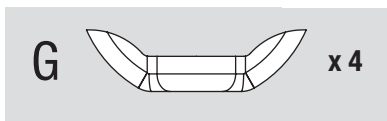
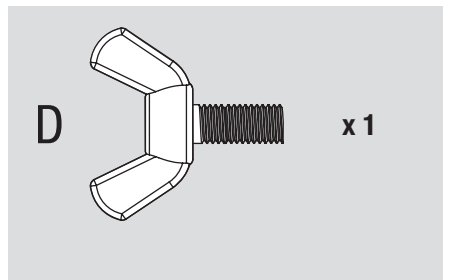
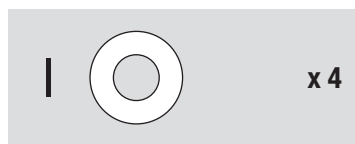
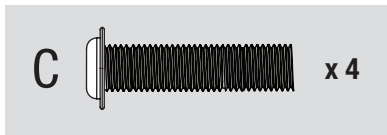
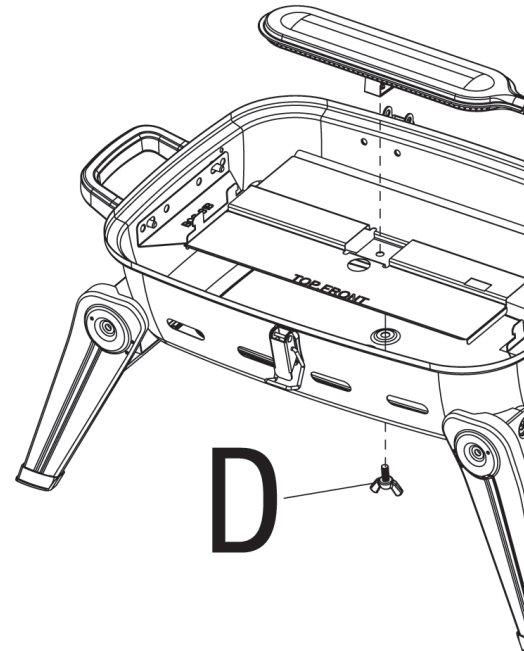


# 5 Attach Legs

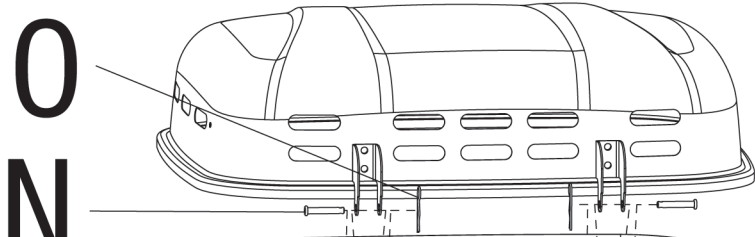


# 6 Attach Heat Shield, Burner, and Control Knob

Note: Once attached, the regulator/control knob is connected to the LP gas tank.



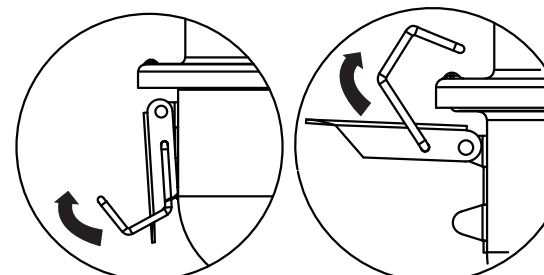
# 7 Attach Lid



# 8

## Lock Lid

Note: Lid must be locked before transporting grill.

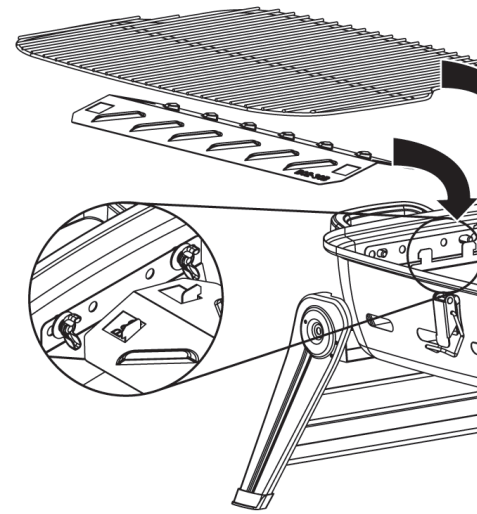
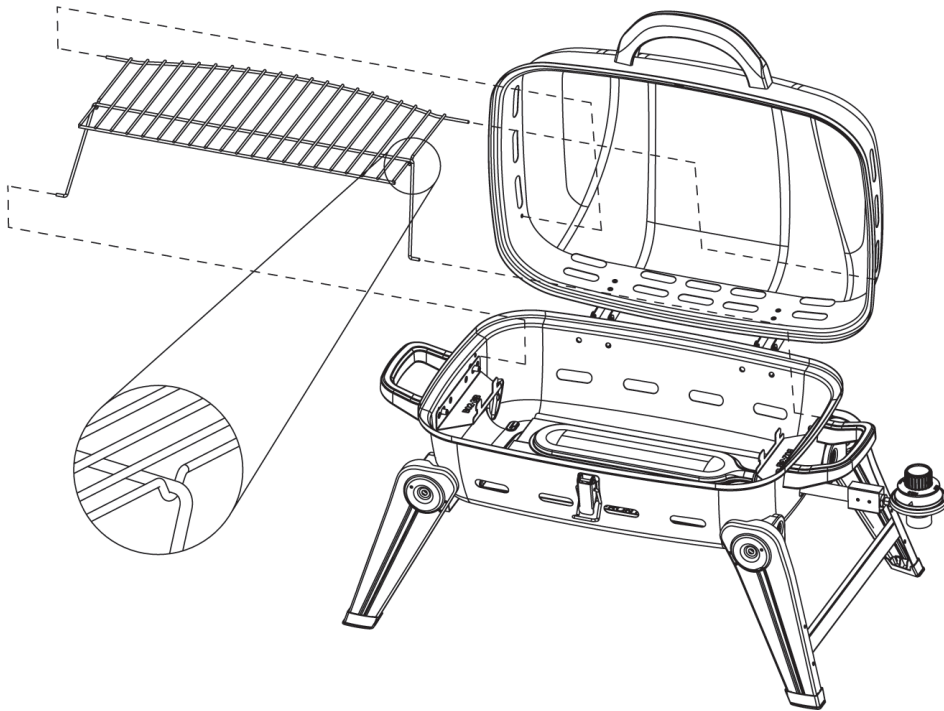


9

Insert Warming Rack

10

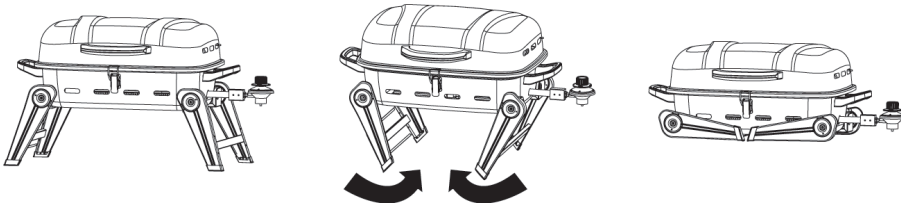
Insert Heat Plate and Co



11

Fold Up Legs

Note: Always lock lid before folding legs.



## Operating Instructions


This grill is designed to operate with a 1 lb. 7.75 in. or 10.6 in. high disposable / 16.4 oz. or 14.1 oz. propane gas tank (DOT 39 Cylinder) (Figure 1).




### Connecting LP Gas Tank

Only cylinders marked “propane” may be used.

Note: 1 lb cylinders may form frost when near empty.


1. Make sure the regulator/control knob is in the “ OFF” position (Figure 2).
2. Lubricate the threads of the regulator/control knob with petroleum jelly. Line up threads on LP gas tank with regulator/control knob.
3. Insert and rotate LP gas tank clockwise until they fit snugly together. **HAND TIGHTEN ONLY.** Be careful not to crossthread when screwing in tank (Figure 3).
4. Perform leak test per “Checking for Leaks” section.

### Disconnecting LP Gas Tank



1. Turn the regulator/control knob to the “ OFF” position (Figure 2).
2. Rotate LP gas tank counterclockwise until it is detached (Figure 4).
3. Store the LP gas tank in a proper location, per instructions on the LP gas tank.

### Checking for Leaks


#### Burner Connections

1. Make sure the regulator/control knob is securely fastened to the burner.  
Note: The brass nut should be  $\frac{1}{4}$  to  $\frac{1}{2}$  turn past tight. The regulator will rotate 360° even when the brass nut is tightened.  
If your unit was assembled for you, visually check the connection between the burner and regulator/control knob (Figure 5).
-  WARNING: Failure to inspect this connection or follow these instructions could cause a fire or an explosion which can cause death, serious bodily injury or damage to property.**
2. If the burner and regulator/control knob do not fit properly or if you have any questions, please contact 1.800.694.0013 for assistance.






#### Tank/Gas Line Connection

1. Make 2-3 oz. of leak detection solution by mixing one part liquid dishwashing soap with three parts water.
2. Make sure regulator/control knob is in the “ OFF” position (Figure 2).
3. Spoon the leak detection check solution on all “X” locations (Figure 5).
  - a. If any bubbles appear, remove the LP gas tank and reconnect, making sure the connection is secure.
  - b. If you continue to see bubbles after several attempts, remove the LP gas tank per “Disconnecting LP Gas Tank” section, and contact 1.800.694.0013 for assistance.
  - c. If no bubbles appear after one minute, turn regulator/control knob to the “ OFF” position, wipe away solution and proceed.

### First Use

1. Make sure all labels, packaging and protective films have been removed from the grill.
2. Remove manufacturing oils before cooking on this grill for the first time by operating the grill for at least 15 minutes on  (HIGH) with the lid closed. This will “heat clean” the internal parts and dissipate odors.

### Lighting Instructions

-  CAUTION: Keep outdoor gas cooking appliance area clear and free from combustible materials, gasoline and other flammable vapors and liquids.**
-  CAUTION: Do NOT obstruct the flow of combustion and ventilation air.**
-  CAUTION: Check and clean burner/venturi tubes for insects and insect nests. A clogged tube can lead to a fire.**
-  CAUTION: Attempting to light the burner with the lid closed may cause an explosion.**
-  CAUTION: Always open legs completely and secure in place before opening lid or lighting grill.**
1. Open lid.

## Operating Instructions (continued)

### Controlling Flare-ups

- If a grease fire develops, turn regulator/control knob “**OFF**.” Do NOT use water on a grease fire. This can cause the grease to splatter and could result in serious burns, bodily harm or other damage.
- Do NOT leave grill unattended while preheating or burning off food residue on 🔥 (HIGH). If grill has not been cleaned, a grease fire can occur that may damage the product.

Flare-ups are a part of cooking meats on a grill and add to the unique flavor of grilling.

**Excessive flare-ups can over-cook your food and be dangerous.**

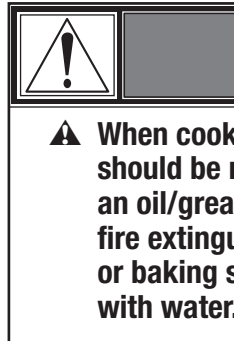
**Important:** Excessive flare-ups result from the build-up of grease in the bottom of your grill.

If a grease fire occurs, close the lid **AND** turn regulator/control knob to “**OFF**,” until the grease burns out. Use caution when opening the lid as sudden flare-ups may occur.



If excessive flare-ups occur, do **NOT** pour water onto the flames.



#### Minimize Flare-ups:

1. Trim excess fat from meats prior to cooking.
2. Cook high fat content meats on 🔥 (LOW) setting or indirectly.
3. Ensure that your grill is on a hard, level, non-combustible surface and the grease is allowed to drain into grease receptacle.



## Cleaning and Care

	<b>CAUTION</b>	
<ol style="list-style-type: none"><li>1. All cleaning and maintenance should be done when grill is cool and with the fuel supply disconnected.</li><li>2. Do NOT clean any grill part in a self-cleaning oven. The extreme heat will damage the finish.</li><li>3. Do NOT enlarge valve orifices or burner ports when cleaning the valves or burners.</li></ol>		

	<b>NOTICE</b>	
<ol style="list-style-type: none"><li>1. This grill should be thoroughly cleaned and inspected on a regular basis.</li><li>2. Abrasive cleaners will damage this product.</li><li>3. Never use oven cleaner to clean any part of grill.</li></ol>		

### Before Each Use:

1. Keep the grill area clean and free from any combustible materials, gasoline, and other flammable vapors and liquids.
2. Do NOT obstruct the flow of the combustion of LP gas and the ventilation of air.
3. Keep the ventilation opening(s) of the LP gas tank area free and clear from debris.
4. Visually check the burner flames to make sure your grill is working properly (Figure 8).
5. See below for proper cleaning instructions.
6. Check for obstructions of airflow to the burners. Spiders, insects and webs can clog the burner/venturi tube. A clogged burner/venturi tube can lead to a fire.

### Cleaning Surfaces

1. Wipe surfaces clean with mild dishwashing detergent or baking soda mixed with water.
2. For stubborn surfaces, use a citrus-based degreaser and a nylon scrubbing brush.
3. Rinse clean with water.
4. Allow to air dry.

### Cleaning Main Burners

1. Turn regulator/control knob to “**OFF**.”  
Note: A “poof” sound is normal as the last of the LP gas is burned.
2. Disconnect LP gas tank per “Disconnecting LP Gas Tank” section.
3. Remove regulator/control knob and wind guard.

## Limited Warranty

RevoAce, Inc. ("manufacturer") warrants to the original retail purchaser of this product, and to no other person, that if this product operated in accordance with the printed instructions accompanying it, then for a period of one (1) year from the date of purchase, the product shall be free from defects in material and workmanship. Manufacturer may require reasonable proof of your date of purchase. Therefore, please retain your invoice. This Limited Warranty shall be limited to the repair or replacement of parts, which prove defective under normal use and conditions, and shall determine in its reasonable discretion upon examination to be defective. Before returning any parts, you should contact manufacturer's Customer Service Department using the contact information listed below. If manufacturer confirms, after examination, a defect covered by this Limited Warranty, and if manufacturer approves the claim, manufacturer will replace such defective part without charge. If you return defective parts, the return is prepaid by you. manufacturer will return replacement parts to the original retail purchaser, freight or postage prepaid.

This Limited Warranty does not cover any failures or operating difficulties due to accident, abuse, misuse, alteration, misapplication, or improper maintenance or service by you or any third party, or failure to perform normal and routine maintenance on the product. In addition, the Limited Warranty does not cover damage to the finish, such as scratches, dents, discoloration, rust or other weathering.

This Limited Warranty is in lieu of all other express warranties. manufacturer disclaims all warranties for products that are purchased from other than authorized retailers or distributors, including the warranty of merchantability or the warranty of fitness for a particular purpose. **DISCLAIMS ANY AND ALL IMPLIED WARRANTIES, INCLUDING WITHOUT LIMITATION THE IMPLIED WARRANTIES OF MERCHANTABILITY AND FITNESS FOR A PARTICULAR PURPOSE. MANUFACTURER SHALL HAVE NO LIABILITY TO PURCHASER OR ANY THIRD PARTY FOR ANY SPECIAL, INCIDENTAL, OR CONSEQUENTIAL DAMAGES.** manufacturer further disclaims any implied or express warranty of, and assumes no responsibility for, damage caused by third parties.

This Limited Warranty gives the purchaser specific legal rights; a purchaser may have other rights depending upon where he or she resides. We do not allow the exclusion or limitation of special, incidental or consequential damages, or limitations on how long a warranty lasts, so that this Limited Warranty may not apply to everyone.

manufacturer does not authorize any person or company to assume for it any other obligation or liability in connection with the sale, return, or replacement of its equipment, and no such representations are binding on manufacturer.

RevoAce, Inc.

8F-1, NO.497, Jhongming S.RD.

West District, Taichung City, Taiwan

1.800.694.0013

## Troubleshooting

Problem	Possible Cause	Possible Solution
<b>Burner will not light using igniter (if included)</b>	LP gas tank is low or empty	Replace LP gas tank
	LP gas leak	<ol style="list-style-type: none"> <li>Turn LP gas tank valve to "OFF"</li> <li>Wait 5 minutes for gas to clear</li> <li>Follow "Checking for Leaks"</li> </ol>
	Wires or electrode covered with cooking residue	Clean wire and/or electrode with a damp cloth
	Electrode and burners are wet	Wipe dry with cloth
	Electrode cracked or broken - sparks at crack	Replacement part(s) may be needed
	Wire loose or disconnected	Reconnect wire or replacement part at 1.800.694.0013
	Wire is shorting (sparking) between igniter and electrode	Replacement part(s) may be needed
<b>Burner will not light with match</b>	Bad igniter	Replacement part(s) may be needed
	No gas flow	Check if LP gas tank is empty A. If empty, replace B. If LP gas tank is not empty, reduce "flame height" below
	LP gas tank is low or empty	Replace LP gas tank
	LP gas leak	<ol style="list-style-type: none"> <li>Turn LP gas tank valve to "OFF"</li> <li>Wait 5 minutes for gas to clear</li> <li>Follow "Checking for Leaks"</li> </ol>
	Coupling nut and regulator not fully connected	Turning the coupling nut about one full solid stop. <b>Tighten by hand only</b>
	Obstruction of gas flow	Clear burner/venturi tube
	Spider webs or insect nest in venturi	Clean burner/venturi tube
<b>Sudden drop in gas flow or reduced flame height</b>	Burner ports clogged or blocked	Clean burner ports
	Out of gas	Replace LP gas tank
<b>Irregular flame pattern – flame does not run the full length of burner</b>	Burner ports are clogged or blocked	Clean burner ports
<b>Flame is yellow or orange</b>	New burner may have residual manufacturing oils	Operate grill for 15 minutes on high
	Spider webs or insect nest in burner/venturi tube	Clean burner/venturi tube
	Food residue, grease, etc. on burners	Clean burner
	Poor alignment of valve to burner/venturi tube	Ensure burner/venturi tube is properly aligned
<b>Flame goes out</b>	High or gusting winds	Do not use grill in high winds
	Low on LP gas	Replace LP gas tank
	Overflow valve tripped	Refer to "Sudden drop in gas flow"
<b>Flare-up</b>	Grease buildup	Remove and clean all grill parts per "Cleaning"
	Excess fat in meat	Trim fat from meat before grilling
	Excessive cooking temperature	Adjust (lower) cooking temperature
<b>Persistent grease fire</b>	Grease trapped by food buildup around burner system	<ol style="list-style-type: none"> <li>Turn control knob to "OFF"</li> <li>Leave lid in closed position and allow to cool</li> <li>After grill cools, remove and clean section</li> </ol>
<b>Flashback (fire in burner tube(s))</b>	Burner and/or burner tubes are blocked	Clean burner and/or burner/venturi tube
<b>Inside of lid is peeling (like paint peeling)</b>	Baked on grease buildup has turned to carbon and is flaking off.	Clean all grill parts per "Cleaning"

