

This Owner's Manual is provided and hosted by [Appliance Factory Parts](#).



Backyard Grill GBT1754W-C Owner's Manual

[Shop genuine replacement parts for Backyard Grill
GBT1754W-C](#)



[Find Your Backyard Grill Grill Parts - Select From 50 Models](#)

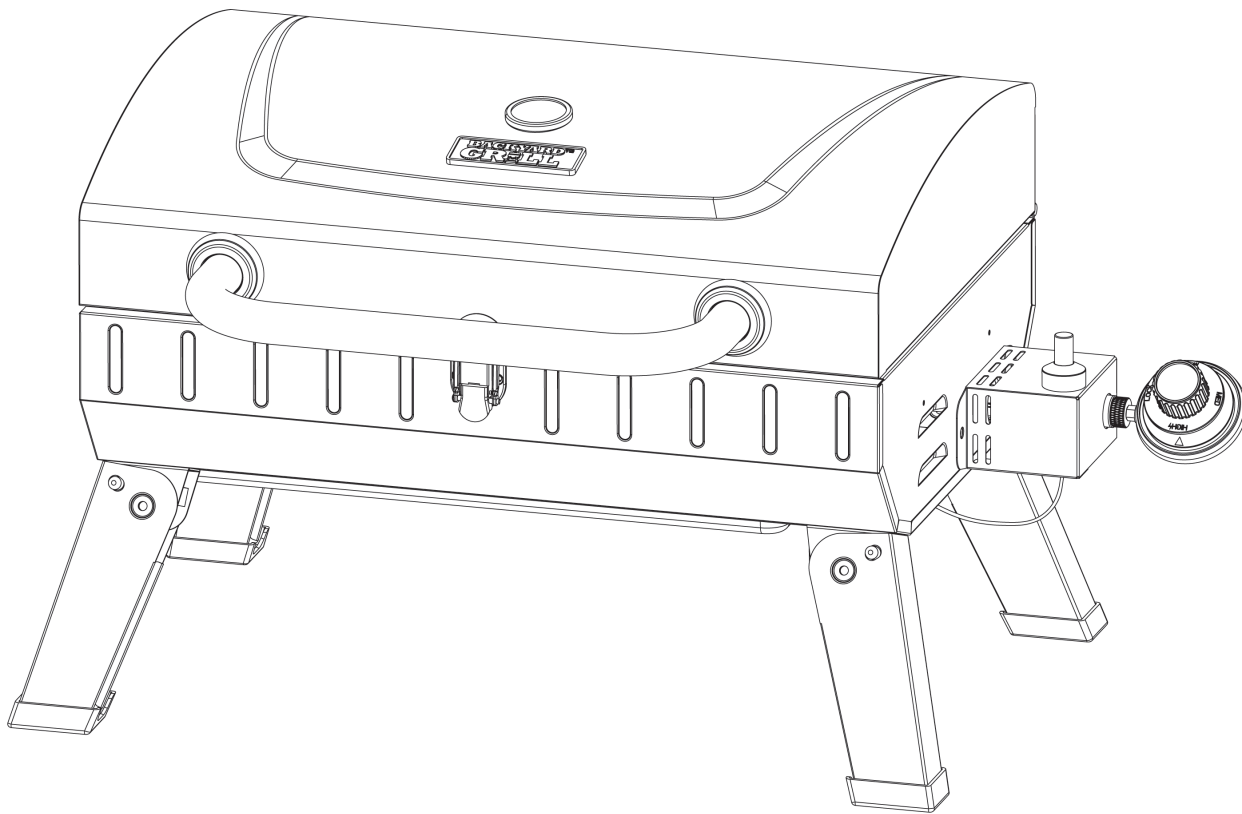
----- Manual continues below -----

BACKYARD GRILL

OWNER'S MANUAL

Outdoor LP Gas Barbecue Cooker

Model No. GBT1754W-C



FOR YOUR SAFETY

1. Improper installation, alteration, or use can cause injury or death.
2. Read the instructions and maintenance information before installing this equipment.
3. Failure to follow instructions can result in fire or explosion, which can cause property damage and death.
4. This instruction manual contains important information for safe assembly and use.
5. Read and follow all instructions for the appliance.
6. Follow all warnings and cautions when using the appliance.
7. Keep this manual for future reference.



FOR YOUR SAFETY

1. Do NOT store flammable liquids or gases in or around this or any other appliance.
2. An LP cylinder should NOT be stored in or around other appliances.

Table of Contents

Important Safeguards	Page 2
Expanded View & Hardware	4
Assembly Instructions	5



Never operate the



Important Safeguards Warning

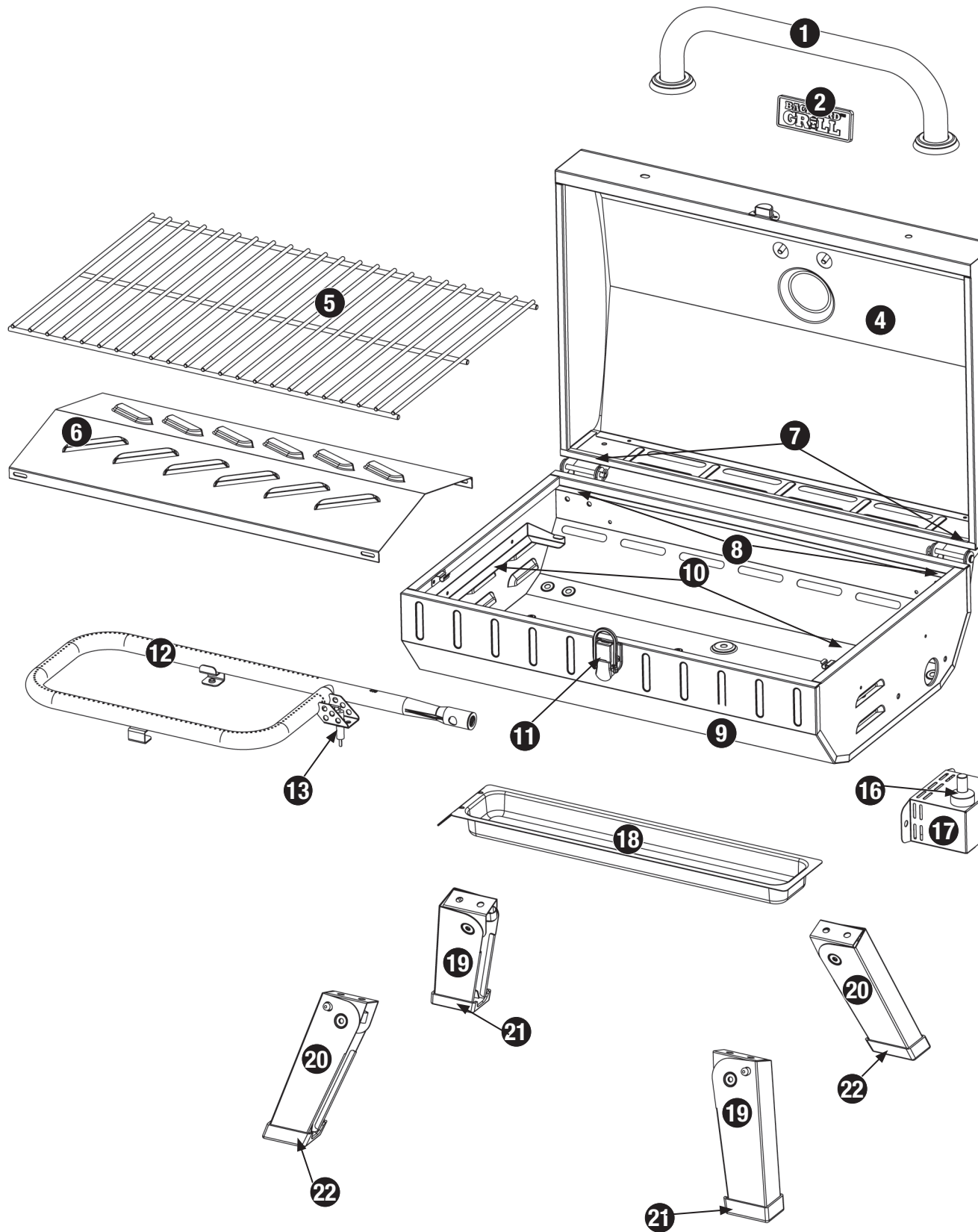
- ▲ This grill is for outdoor use only, and should not be used in a building, garage or any other enclosed area.
- ▲ Do NOT operate, light or use this appliance within ten feet (3.05 m) of walls, structures or buildings.
- ▲ For residential use only. This grill is NOT for commercial use.
- ▲ This grill is not intended for and should never be used as a heater. TOXIC fumes can accumulate and cause asphyxiation.
- ▲ This grill is safety certified for use in the United States and/or Canada only. Do NOT modify for use in any other location. Modification is a safety hazard and will void your warranty.
- ▲ This grill is for use with liquid propane (LP) gas only. The conversion to or attempted use of natural gas in this LP gas grill is a safety hazard and will void your warranty.
- ▲ LP gas characteristics:
 - a. LP gas is flammable and hazardous if handled improperly. Become aware of the characteristics before using any LP gas.
 - b. LP gas is explosive under pressure, heavier than air, and settles/pools in low areas.
 - c. LP gas in its natural state has no odor. For your safety, an odorant is added that smells like rotten cabbage.
 - d. Contact with LP gas can cause freeze burns to skin.
- ▲ Apartment dwellers: Check with management to learn the requirements and fire codes for using a LP gas grill in your apartment. Do NOT use outside on the ground floor with a ten foot (3.05 m) clearance from any structure. Do NOT use on or under balconies.
- ▲ LP gas cylinder needed to operate. Only cylinders marked "propane" may be used.
- ▲ The LP gas cylinder must be constructed and marked in accordance with the *Specifications for LP-gas Cylinders of the Department of Transportation (D.O.T.)* or the National Standard of Canada, *CAN/CSA-B339, Cylinders, Spheres and Tubes for the Transportation and Commission*.
- ▲ LP gas cylinder must be arranged for vapor withdrawal.
- ▲ The LP gas cylinder must have a listed overfilling prevention device (OPD).
- ▲ Only use LP gas cylinders equipped with a cylinder connection device compatible with the connection for outdoor cooking.
- ▲ The LP gas cylinder must have a cylinder collar to protect the cylinder valve.
- ▲ Never use an LP gas cylinder with a damaged body, valve, collar or footing.
- ▲ Dented or rusted LP gas cylinders may be hazardous and should be checked by your LP gas supplier prior to use.
- ▲ The LP gas cylinder should not be dropped or handled roughly.
- ▲ LP gas cylinders must be stored outdoors out of the reach of children and must not be stored in a building, garage or other enclosed area. A cylinder must never be stored where temperatures can reach over 125°F.
- ▲ Do NOT insert any tool or foreign object into the valve outlet or safety relief valve. You may damage the valve and cause a gas leak which may result in an explosion, fire, severe personal injury or death.
- ▲ Do NOT block holes in sides or back of grill.
- ▲ Never keep an LP gas cylinder in a hot car or trunk. Heat will cause the gas pressure to increase, which may open the valve and cause a gas leak.
- ▲ Place dust cap on cylinder valve outlet whenever the cylinder is not in use. Only install the type of dust cap on the cylinder valve outlet with the cylinder valve. Other types of caps or plugs may result in leakage of propane.
- ▲ If grill is not in use, the gas must be turned off at the supply cylinder and disconnected.
- ▲ Do NOT store a spare LP gas cylinder under or near this appliance.
- ▲ Never fill the cylinder beyond 80 percent full. A fire causing serious injury or damage to property may occur if the above instructions are not followed.
- ▲ Never attempt to attach this grill to the self-contained LP gas system of a camper trailer, motor home or house.
- ▲ Never use charcoal, lighter fluid, lava rocks, gasoline, kerosene or alcohol with this product.
- ▲ Your grill has been checked at all factory connections for leaks. Re-check all connections as described in the "Operation" section of the shipping can loosen connections.
- ▲ Check for leaks even if your unit was assembled for you by someone else.



Important Safeguards Warning

- ▲ This grill should be thoroughly cleaned and inspected on a regular basis.
- ▲ Clean and inspect the hose before each use of the appliance. If there is evidence of abrasion, wear, cuts or leaks, operation.
- ▲ Use only the regulator and hose assembly provided. Use only the replacement regulator and hose assembly specified in the manual.
- ▲ Use only RevoAce Inc. Limited factory-authorized parts. The use of any part that is not factory-authorized can be void of warranty.
- ▲ Do NOT operate this appliance without reading “Operating Instructions” in this manual.
- ▲ Do NOT touch metal parts of grill until they have completely cooled to avoid burns, unless you are wearing protective mittens, etc.).
- ▲ Do NOT install or use in or on boats or recreational vehicles.
- ▲ When cooking, fire extinguishing materials should be readily accessible. In the event of an oil/grease fire, do NOT use water. Use type BC dry chemical fire extinguisher or smother with dirt, sand or baking soda.
- ▲ Do NOT use grill in high winds.
- ▲ Never lean over the grill when lighting.
- ▲ Do NOT leave a lit grill unattended. Keep children and pets away from grill at all times.
- ▲ Do NOT leave grill unattended while preheating or burning off food residue on high. If grill has not been cleaned, a fire may damage the product.
- ▲ Do NOT place empty cooking vessels on the appliance while in operation.
- ▲ Use caution when placing anything on the grill while the appliance is in operation.
- ▲ Do NOT attempt to move grill when in use. Allow the grill to cool before moving or storing.
- ▲ LP gas cylinder must be properly disconnected and removed prior to moving this grill.
- ▲ Storage of grill indoors is permissible only if the cylinder is disconnected, removed from the grill and properly stored outdoors.
- ▲ Always open grill lid carefully and slowly as heat and steam trapped within grill can cause severe burns.
- ▲ Do NOT attempt to disconnect the gas regulator from the cylinder or any gas fitting while the grill is in use.
- ▲ Always place your grill on a hard, non-combustible, level surface. An asphalt or blacktop surface may not be acceptable.
- ▲ Move gas hoses as far away as possible from hot surfaces and dripping hot grease.
- ▲ Keep all electrical cords away from a hot grill.
- ▲ After a period of storage and/or nonuse, check for leaks, burner obstructions and inspect for any abrasion, wear or damage.
- ▲ Failure to open lid while igniting the grill’s burners, or not waiting 5 minutes to allow the gas to clear if the grill does not ignite, can cause an explosive flame-up.
- ▲ Never operate grill without its heat plates installed.
- ▲ Always use a meat thermometer to ensure food is cooked to a safe temperature.
- ▲ Use protective gloves when assembling this product.
- ▲ Do NOT force parts together as this can result in personal injury or damage to the product.
- ▲ Never cover entire cooking area with aluminum foil.
- ▲ Deaths, serious injury or damage to property may occur if the above is not followed exactly.

Expanded View



Parts List

1	Lid Handle	G1654-010	9	Bottom Bowl*	G1654-030	17	Igniter But
2	Brand Plate*	B0109-LC2	10	Heat Plate Support (2)*	G1654-150	18	Grease Cu
3	Temperature Gauge*	B0104-H80	11	Lock*	C1340-211	19	Leg A (2)
4	Lid	G1654-030	12	Lid Handle	G1654-010	20	Leg B (2)
5	Grill Grate	G1654-010	13	Lid Handle	G1654-010	21	Leg C (2)
6	Heat Plate Support	G1654-150	14	Heat Plate Support	G1654-150	22	Leg D (2)
7	Heat Plate	G1654-150	15	Heat Plate Support	G1654-150		
8	Heat Plate Support	G1654-150	16	Igniter	G1654-030		
9	Bottom Bowl*	G1654-030	17	Igniter But	G1654-030		
10	Heat Plate Support (2)*	G1654-150	18	Grease Cu	G1654-030		
11	Lock*	C1340-211	19	Leg A (2)	G1654-030		
12	Lid Handle	G1654-010	20	Leg B (2)	G1654-030		
13	Lid Handle	G1654-010	21	Leg C (2)	G1654-030		
14	Heat Plate Support	G1654-150	22	Leg D (2)	G1654-030		
15	Heat Plate Support	G1654-150					
16	Igniter	G1654-030					
17	Igniter But	G1654-030					
18	Grease Cu	G1654-030					
19	Leg A (2)	G1654-030					
20	Leg B (2)	G1654-030					
21	Leg C (2)	G1654-030					
22	Leg D (2)	G1654-030					

Assembly Instructions

1

DO NOT RETURN TO PLACE OF PURCHASE.

For assistance, call **1.800.694.0013** toll-free. Please have your owner's manual and model number available for reference.

Note: The model number can be found on the back or side of the grill.

Assembly Tips:

1. Select an area where you will assemble this product. To protect components, choose a smooth surface that's free of cracks or openings.
2. Spread out all parts.
3. Tighten all hardware connections by hand first. Then, before completing each step, go back and fully tighten all hardware. Be careful not to over-tighten. That could damage surfaces or strip threads.
4. For best results, complete each step in the order presented.

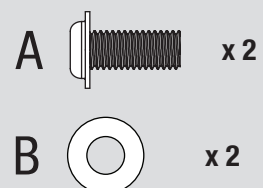
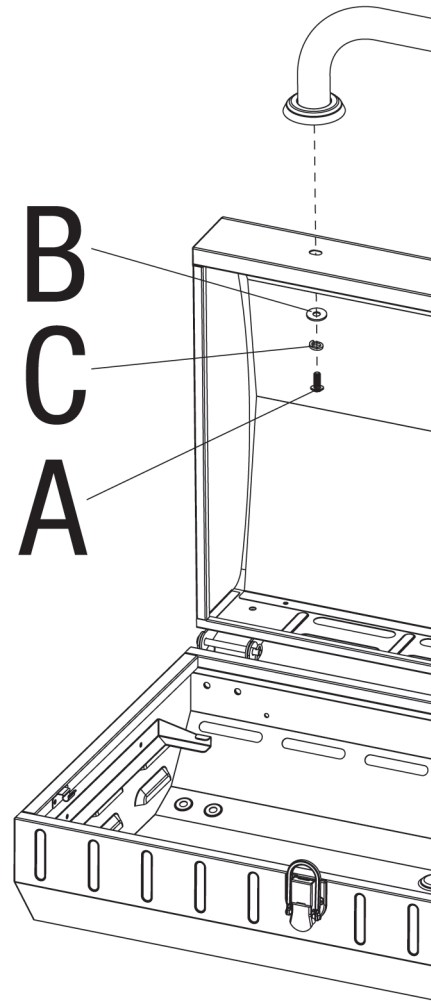
To complete assembly you will need:

- (1) Leak Detection Solution (instructions on how to make solution are included in "Operating Instructions" section).
- (1) 14.1 oz or (1) 16.4 oz LP gas tank (not included).

Typical assembly is approximately 30 minutes.

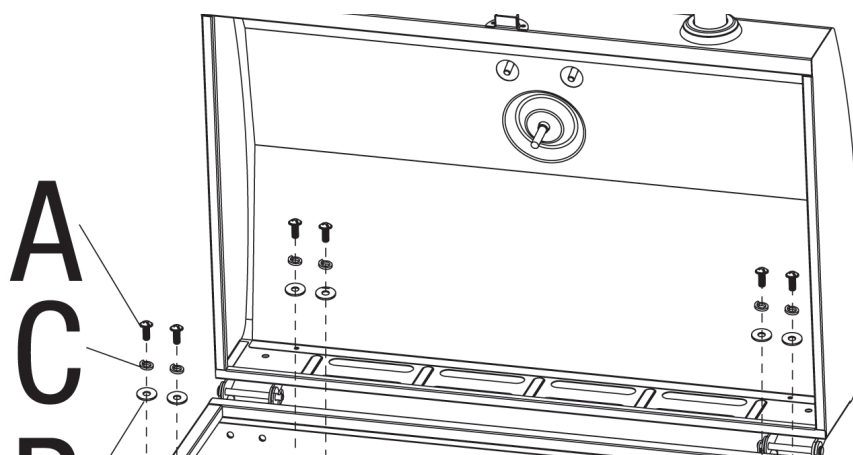
2

Attach Lid Handle



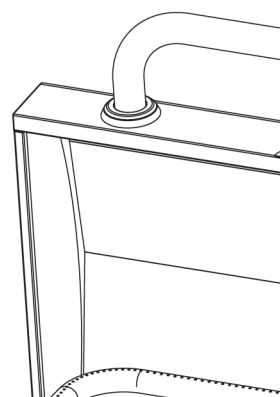
3

Attach Legs

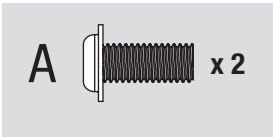
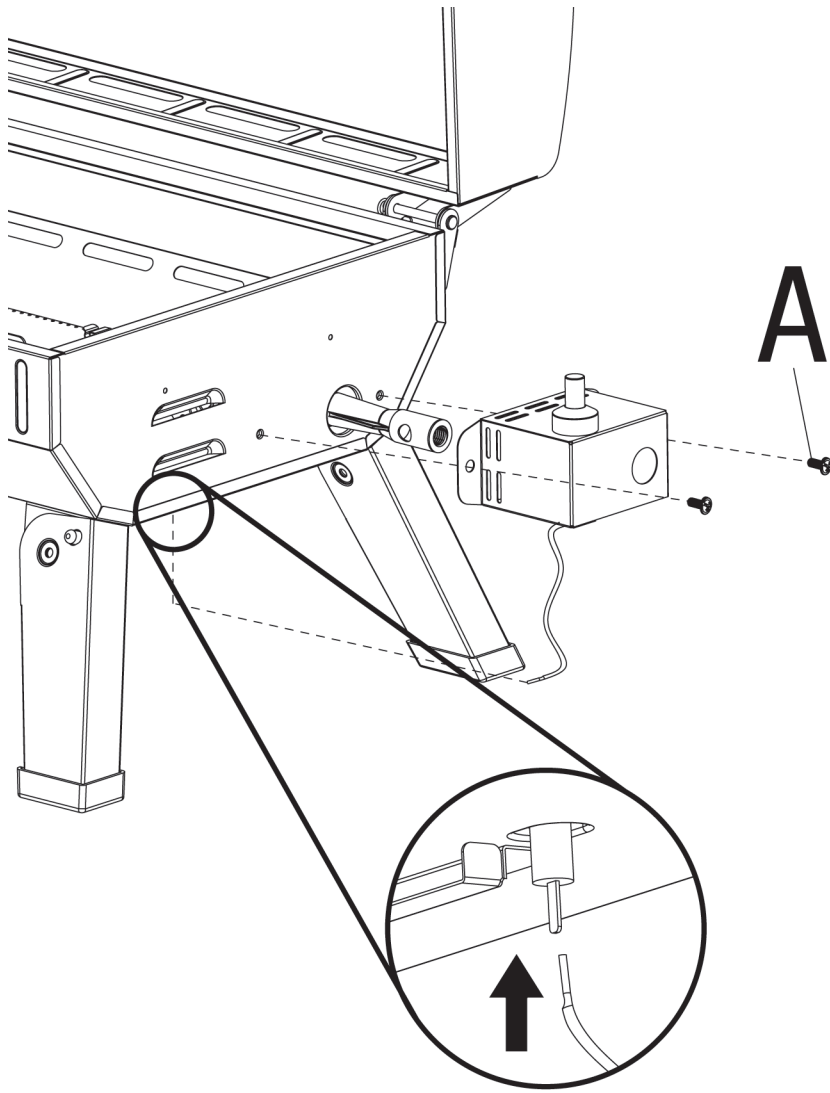


4

Attach Burner

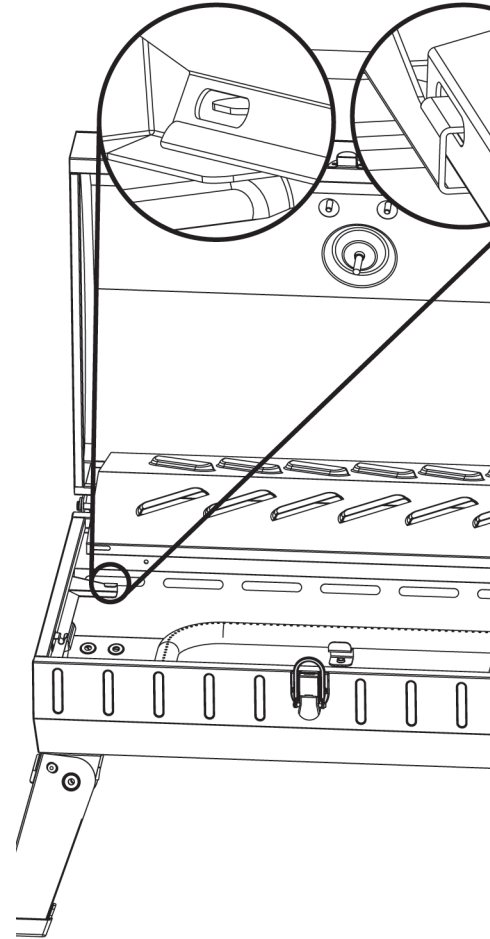


5 Attach Igniter Wire and Igniter Cover

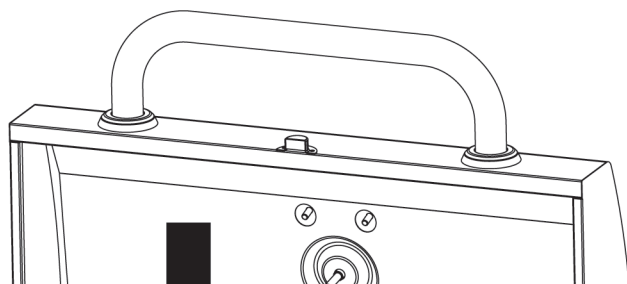


6 Insert Heat Plate and Attach

Note: Once attached, the regulator/control the LP gas tank.



7 Insert Cooking Grid

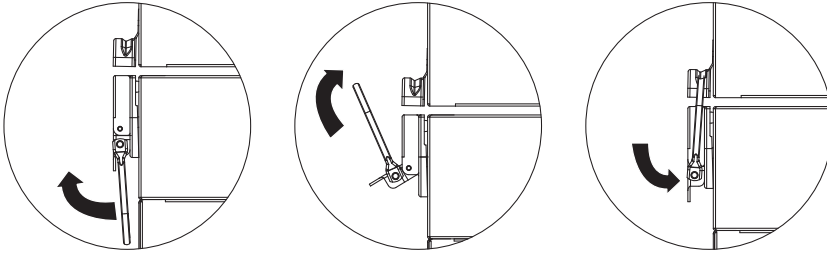


8 Insert Grease Cup



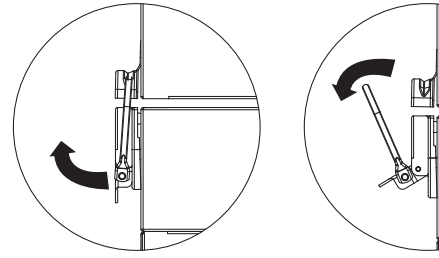
9 Lock Lid

Note: Lid must be locked before transporting grill.



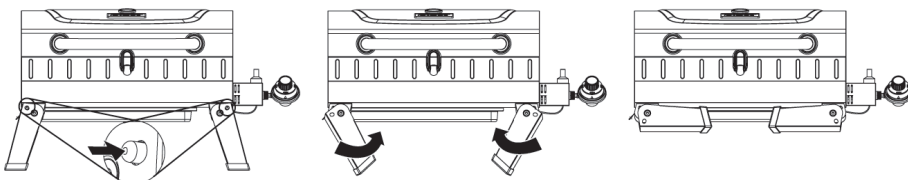
10 Unlock Lid

Note: Always unlock and open lid before



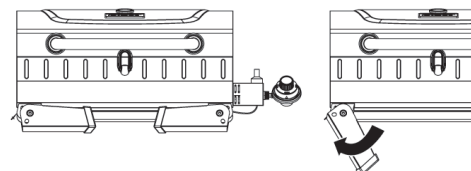
11 Fold Up Legs

Note: Always lock lid before folding legs.



12 Unfold Legs

Note: Always open legs completely and



Operating Instructions


This grill is designed to operate with a 1 lb. 7.75 in. or 10.6 in. high disposable / 16.4 oz. or 14.1 oz. propane gas tank (DOT 39 Cylinder) (Figure 1).




Connecting LP Gas Tank

Only cylinders marked “propane” may be used.

Note: 1 lb cylinders may form frost when near empty.


1. Make sure the regulator/control knob is in the “ OFF” position (Figure 2).
2. Lubricate the threads of the regulator/control knob with petroleum jelly. Line up threads on LP gas tank with regulator/control knob.
3. Insert and rotate LP gas tank clockwise until they fit snugly together. **HAND TIGHTEN ONLY.** Be careful not to crossthread when screwing in tank (Figure 3).
4. Perform leak test per “Checking for Leaks” section.

Disconnecting LP Gas Tank



1. Turn the regulator/control knob to the “ OFF” position (Figure 2).
2. Rotate LP gas tank counterclockwise until it is detached (Figure 4).
3. Store the LP gas tank in a proper location, per instructions on the LP gas tank.

Checking for Leaks


Burner Connections

1. Make sure the regulator/control knob is securely fastened to the burner.
Note: The brass nut should be $\frac{1}{4}$ to $\frac{1}{2}$ turn past tight. The regulator will rotate 360° even when the brass nut is tightened.
If your unit was assembled for you, visually check the connection between the burner and regulator/control knob (Figure 5).
-  WARNING: Failure to inspect this connection or follow these instructions could cause a fire or an explosion which can cause death, serious bodily injury or damage to property.**
2. If the burner and regulator/control knob do not fit properly or if you have any questions, please contact 1.800.694.0013 for assistance.






Tank/Gas Line Connection

1. Make 2-3 oz. of leak detection solution by mixing one part liquid dishwashing soap with three parts water.
2. Make sure regulator/control knob is in the “ OFF” position (Figure 2).
3. Spoon the leak detection check solution on all “X” locations (Figure 5).
 - a. If any bubbles appear, remove the LP gas tank and reconnect, making sure the connection is secure.
 - b. If you continue to see bubbles after several attempts, remove the LP gas tank per “Disconnecting LP Gas Tank” section, and contact 1.800.694.0013 for assistance.
 - c. If no bubbles appear after one minute, turn regulator/control knob to the “ OFF” position, wipe away solution and proceed.

First Use

1. Make sure all labels, packaging and protective films have been removed from the grill.
2. Remove manufacturing oils before cooking on this grill for the first time by operating the grill for at least 15 minutes on  (HIGH) with the lid closed. This will “heat clean” the internal parts and dissipate odors.

Lighting Instructions

-  CAUTION: Keep outdoor gas cooking appliance area clear and free from combustible materials, gasoline and other flammable vapors and liquids.**
-  CAUTION: Do NOT obstruct the flow of combustion and ventilation air.**
-  CAUTION: Check and clean burner/venturi tubes for insects and insect nests. A clogged tube can lead to a fire.**
-  CAUTION: Attempting to light the burner with the lid closed may cause an explosion.**
-  CAUTION: Always open legs completely and secure in place before opening lid or lighting grill.**

1. Open lid.

Operating Instructions (continued)

Controlling Flare-ups

- If a grease fire develops, turn regulator/control knob “**OFF**.” Do NOT use water on a grease fire. This can cause the grease to splatter and could result in serious burns, bodily harm or other damage.
- Do NOT leave grill unattended while preheating or burning off food residue on **HIGH**. If grill has not been cleaned, a grease fire can occur that may damage the product.

Flare-ups are a part of cooking meats on a grill and add to the unique flavor of grilling.

Excessive flare-ups can over-cook your food and be dangerous.

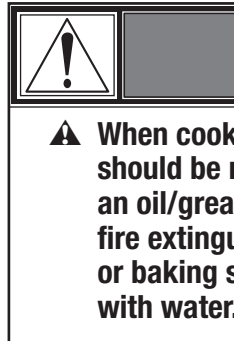
Important: Excessive flare-ups result from the build-up of grease in the bottom of your grill.

If a grease fire occurs, close the lid **AND** turn regulator/control knob to “**OFF**,” until the grease burns out. Use caution when opening the lid as sudden flare-ups may occur.



If excessive flare-ups occur, do **NOT** pour water onto the flames.



Minimize Flare-ups:

1. Trim excess fat from meats prior to cooking.
2. Cook high fat content meats on **LOW** setting or indirectly.
3. Ensure that your grill is on a hard, level, non-combustible surface and the grease is allowed to drain into grease receptacle.



Cleaning and Care

	CAUTION	
<ol style="list-style-type: none">1. All cleaning and maintenance should be done when grill is cool and with the fuel supply disconnected.2. Do NOT clean any grill part in a self-cleaning oven. The extreme heat will damage the finish.3. Do NOT enlarge valve orifices or burner ports when cleaning the valves or burners.		

	NOTICE	
<ol style="list-style-type: none">1. This grill should be thoroughly cleaned and inspected on a regular basis.2. Abrasive cleaners will damage this product.3. Never use oven cleaner to clean any part of grill.		

Before Each Use:

1. Keep the grill area clean and free from any combustible materials, gasoline, and other flammable vapors and liquids.
2. Do NOT obstruct the flow of the combustion of LP gas and the ventilation of air.
3. Keep the ventilation opening(s) of the LP gas tank area free and clear from debris.
4. Visually check the burner flames to make sure your grill is working properly (Figure 8).
5. See below for proper cleaning instructions.
6. Check for obstructions of airflow to the burners. Spiders, insects and webs can clog the burner/venturi tube. A clogged burner/venturi tube can lead to a fire.

Cleaning Surfaces

1. Wipe surfaces clean with mild dishwashing detergent or baking soda mixed with water.
2. For stubborn surfaces, use a citrus-based degreaser and a nylon scrubbing brush.
3. Rinse clean with water.
4. Allow to air dry.

Cleaning Main Burners

1. Turn regulator/control knob to “**OFF**.”
Note: A “poof” sound is normal as the last of the LP gas is burned.
2. Disconnect LP gas tank per “Disconnecting LP Gas Tank” section.
3. Remove regulator/control knob and wind guard.

Limited Warranty

RevoAce Inc. Limited ("RA") warrants to the original retail purchaser of this product, and to no other person, that if this product operated in accordance with the printed instructions accompanying it, then for a period of one (1) year for all remaining parts for parts in such product shall be free from defects in material and workmanship. RA may require reasonable proof of your date of purchase and retain your sales slip or invoice. This Limited Warranty shall be limited to the repair or replacement of parts, which prove defective and which RA shall determine in its reasonable discretion upon examination to be defective. Before returning any parts, you should contact the RA Department using the contact information listed below. If RA conforms, after examination, a defect covered by this Limited Warranty, RA approves the claim, RA will replace such defective part without charge. If you return defective parts, transportation charges for return replacement parts to the original retail purchaser, freight or postage prepaid. This Limited Warranty does not cover any failure due to accident, abuse, misuse, alteration, misapplication, improper installation or improper maintenance or service by you or any third party. Normal and routine maintenance on the product as set out in this owner's manual. In addition, the Limited Warranty does not cover scratches, dents, discoloration, rust or other weather damage, after purchase.

This Limited Warranty is in lieu of all other express warranties. RA disclaims all warranties for products that are purchased from retailers or distributors, including the warranty of merchantability or the warranty of fitness for a particular purpose. RA ALSO DISCLAIMS ALL WARRANTIES, INCLUDING WITHOUT LIMITATION THE IMPLIED WARRANTIES OF MERCHANTABILITY AND FITNESS FOR A PARTICULAR PURPOSE. NO LIABILITY TO PURCHASER OR ANY THIRD PARTY FOR ANY SPECIAL, INDIRECT, PUNITIVE, INCIDENTAL, OR CONSEQUENTIAL DAMAGES. RA makes no implied or express warranty of, and assumes no responsibility for, defects in workmanship caused by third parties. This Limited Warranty does not limit specific legal rights; a purchaser may have other rights depending upon where he or she lives. Some jurisdictions do not allow the exclusion or limitation of special, incidental or consequential damages, or limitations on how long a warranty lasts, so the above exclusion and limitation may not apply. RA does not authorize any person or company to assume for it any other obligation or liability in connection with the sale, installation or replacement of its equipment, and no such representations are binding on RA.

RevoAce Inc. Limited

Hong Kong, China

1.800.694.0013

Troubleshooting

Problem	Possible Cause	Possible Solution
Burner will not light using igniter (if included)	LP gas tank is low or empty	Replace LP gas tank
	LP gas leak	<ol style="list-style-type: none"> Turn LP gas tank valve to "OFF" Wait 5 minutes for gas to clear Follow "Checking for Leaks"
	Wires or electrode covered with cooking residue	Clean wire and/or electrode with a damp cloth
	Electrode and burners are wet	Wipe dry with cloth
	Electrode cracked or broken - sparks at crack	Replacement part(s) may be needed
	Wire loose or disconnected	Reconnect wire or replacement part at 1.800.694.0013
	Wire is shorting (sparking) between igniter and electrode	Replacement part(s) may be needed
Burner will not light with match	Bad igniter	Replacement part(s) may be needed
	No gas flow	Check if LP gas tank is empty A. If empty, replace B. If LP gas tank is not empty, reduce "flame height" below
	LP gas tank is low or empty	Replace LP gas tank
	LP gas leak	<ol style="list-style-type: none"> Turn LP gas tank valve to "OFF" Wait 5 minutes for gas to clear Follow "Checking for Leaks"
	Coupling nut and regulator not fully connected	Turning the coupling nut about one full solid stop. Tighten by hand only
	Obstruction of gas flow	Clear burner/venturi tube
	Spider webs or insect nest in venturi	Clean burner/venturi tube
Sudden drop in gas flow or reduced flame height	Burner ports clogged or blocked	Clean burner ports
	Out of gas	Replace LP gas tank
Irregular flame pattern – flame does not run the full length of burner	Burner ports are clogged or blocked	Clean burner ports
Flame is yellow or orange	New burner may have residual manufacturing oils	Operate grill for 15 minutes on high
	Spider webs or insect nest in burner/venturi tube	Clean burner/venturi tube
	Food residue, grease, etc. on burners	Clean burner
	Poor alignment of valve to burner/venturi tube	Ensure burner/venturi tube is properly aligned
Flame goes out	High or gusting winds	Do not use grill in high winds
	Low on LP gas	Replace LP gas tank
	Overflow valve tripped	Refer to "Sudden drop in gas flow"
Flare-up	Grease buildup	Remove and clean all grill parts per "Cleaning"
	Excess fat in meat	Trim fat from meat before grilling
	Excessive cooking temperature	Adjust (lower) cooking temperature
Persistent grease fire	Grease trapped by food buildup around burner system	<ol style="list-style-type: none"> Turn control knob to "OFF" Leave lid in closed position and wait 10 minutes After grill cools, remove and clean burner system section
Flashback (fire in burner tube(s))	Burner and/or burner tubes are blocked	Clean burner and/or burner/venturi tube
Inside of lid is peeling (like paint peeling)	Baked on grease buildup has turned to carbon and is flaking off.	Clean all grill parts per "Cleaning"

<p>allumette.</p> <p>Il y a une fuite de propane.</p> <ol style="list-style-type: none"> 1. Fermez le gaz en tournant le robinet de la bouteille de propane sur « ARRÊT ». 2. Attendez 5 minutes pour que le gaz se dissipe. 3. Suivez les instructions du chapitre « Détecter une fuite » du manuel. 	<p>L'écran de couplage et le régulateur ne sont pas complètement raccordés.</p> <p>Obstruction du débit de propane.</p> <p>Araignées ou insectes dans le venturi.</p> <p>Nettoyez le venturi et le tube du brûleur.</p> <p>Nettoyez les orifices du brûleur.</p> <p>Tournez l'écran de couplage demi ou trois quart de tour de plus jusqu'à l'arrêt complet. Serrez manuellement sans utiliser d'outils.</p>
<p>Il n'y a plus de propane.</p> <p>Les orifices du brûleur sont bouchés ou bloqués.</p>	<p>Remplacez la bouteille de propane.</p> <p>Nettoyez les orifices du brûleur.</p>
<p>ou hauteur</p> <p>Les orifices du brûleur sont bouchés ou bloqués.</p>	<p>Nettoyez les orifices du brûleur.</p>
<p>partissant</p> <p>Les orifices du brûleur sont bouchés ou bloqués.</p>	<p>Nettoyez les orifices du brûleur.</p>
<p>Le nouveau brûleur peut contenir des huiles résiduelles de fabrication.</p> <p>Toiles d'araignées ou nid d'insectes dans le venturi.</p> <p>Résidus d'aliments, de graisse, etc.</p> <p>La valve n'est pas correctement alignée sur le venturi du brûleur.</p>	<p>Laissez le barbecue fonctionner sur (max.) pendant encore 15 minutes avec le couvercle fermé.</p> <p>Nettoyez le venturi.</p> <p>Nettoyez le brûleur.</p> <p>Assurez-vous que le venturi du brûleur est correctement raccordé à la valve.</p> <p>Ne pas utiliser le barbecue les jours de vent fort.</p> <p>Remplacez la bouteille de propane.</p> <p>Reportez-vous aux instructions de cette page « Baisse soudaine du débit du propane ou hauteur réduite de flamme ».</p> <p>Retirez et nettoyez toutes les pièces du barbecue en suivant les instructions « Nettoyage et entretien » du manuel d'utilisation.</p> <p>Éliminez la graisse de la viande avant de la griller.</p> <p>Réglez à la baisse la température.</p>
<p>Vent fort ou bourrasques.</p> <p>La bouteille de propane est presque vide.</p> <p>Débit excessif; la soupape de sécurité de limitation de débit a peut-être été déclenché.</p> <p>Accumulation de graisse.</p> <p>La viande est trop grasse.</p> <p>La température de cuisson est trop élevée.</p>	<p>1. Tournez le bouton de commande sur « ARRÊT ».</p> <p>2. Laissez le couvercle fermé et laissez le feu se consumer.</p> <p>3. Après que le barbecue ait refroidi, retirez et nettoyez toutes les pièces en suivant les instructions « Nettoyage et entretien » du manuel d'utilisation.</p> <p>Nettoyez le brûleur et/ou les tubes.</p> <p>Nettoyez rigoureusement le couvercle en suivant les instructions « Nettoyage et entretien » du manuel.</p>
<p>Graisse piégée par accumulation de nourriture autour des brûleurs.</p>	<p>Le brûleur et/ou ses tubes sont bouchés.</p>
<p>s tubes de</p> <p>L'accumulation de graisse cuite s'est transformée en carbone et s'échappe.</p>	<p>me de la</p>

résultant des intempéries après achat de l'article.

garantie aucune autre garantie expressée à l'exception de la couverture indiquée ici. RA désavoue
avant été achetées auprès de revendeurs autres que les revendeurs et distributeurs agréés y compris toute garantie de
usage particulier. RA DÉCLINE ÉGALEMENT TOUTE GARANTIE IMPLICITE Y COMPRIS TOUTE GARANTIE DE COMMERCIALITÉ
OU CONSÉCUTIFS. De plus, RA désavoue toute garantie expresse ou implicite et décline toute responsabilité en cas de
rs. Cette garantie limitée octroie des droits spécifiques à l'acheteur reconnus par la loi et il est possible que ce dernier en
certaines juridictions ne permettent pas l'exclusion ni la limitation de dommages consécutifs ou accessoires ni la limitation
ons peuvent ne pas être applicables à tous. RA ne permet en aucun cas à une personne ou à une société de s'attribuer les
à la vente, l'installation, l'utilisation, la dépose ou le remplacement de cet article, et aucune de ces représentations n'engage

Nettoyage et entretien

d'éteindre le feu. En cas de feu de graisse ou d'huile, ne pas tenter d'éteindre le feu avec de l'eau. NE PAS tenter d'éteindre le feu avec de la terre, du sable ou du bicarbonate de soude. NE PAS tenter d'éteindre le feu avec de l'eau.

la cuisson.
es à petit feu sur (min.) ou en effectuant une cuisson indirecte.
ve sur une surface dure et non combustible et que la graisse puisse s'égoutter

NON

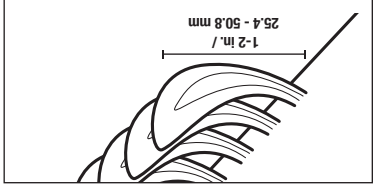
doit être effectué complètement froid et sèche la bouteille de barbecue dans un récipient à l'eau froide. N'utilisez jamais de produits abrasifs car ils risquent d'endommager le barbecue. N'utilisez jamais de produit à nettoyer les fours sur une pièce quelle qu'elle soit du barbecue.

AVIS

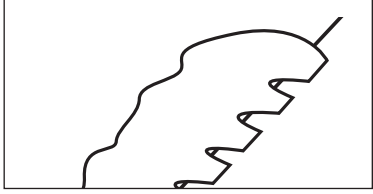
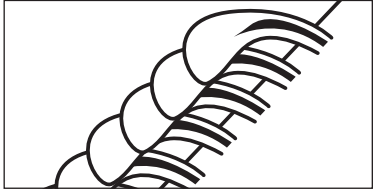
1. Ce barbecue doit être vérifié et nettoyé en entier régulièrement.
2. N'utilisez pas de produits de nettoyage abrasifs car ils risquent d'endommager le barbecue.
3. N'utilisez jamais de produit à nettoyer les fours sur une pièce quelle qu'elle soit du barbecue.

État de la flamme du brûleur

Reportez-vous aux illustrations suivantes afin de savoir si vos brûleurs doivent être nettoyés.



État normal: Flammes bleues claires avec crêtes jaunes entre 2,5 et 5 cm de hauteur.



barbecue demeure dégagée et dépourvue de matières combustibles, d'essence et d'autres liquides et

d'air de combustion du propane ni de ventilation.

(s) de ventilation autour de la bouteille de propane demeurent toujours propres et dépourvues de débris. de vous assurer que le barbecue fonctionne correctement (voir illustration 8).

et du brûleur afin de vous assurer qu'ils ne sont pas bouchés par des insectes et leurs nids. Si la

ce risque de provoquer un feu sous le barbecue.

avec un liquide à vaisselle doux ou du bicarbonate de soude mélangé avec de l'eau. dégraisant au citron et une brosse de nettoyage en nylon.

barbecue

régulateur sur « ARRÊT »: Remarque : Vous entendrez un son étouffé, ceci est normal, il s'agit du

en suivant les instructions « Débrancher la bouteille de propane ».

régulateur et le pare-vent.

ffuseur de chaleur.

en le cas.

la saleté de la surface du brûleur.

un petit goupillon ou de l'air comprimé.

un fil métallique (un trombone ouvert, par exemple).

er qu'il n'est pas endommagé (fissures ou trous). En cas de détériorations, remplacez-le par un brûleur

niveau l'allumeur (selon le cas), remettez en place le pare-vent et le bouton de commande du

rateur et la grille de cuisson.

en suivant les instructions « Brancher la bouteille de propane ».

vous assurer que le raccord ne présente pas de fuite.

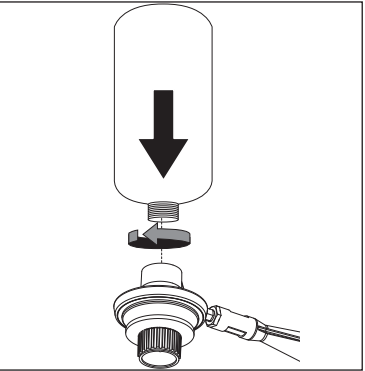


Illustration 3

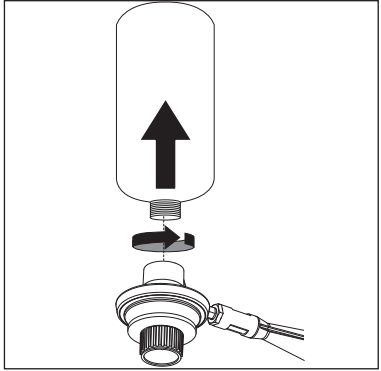


Illustration 4

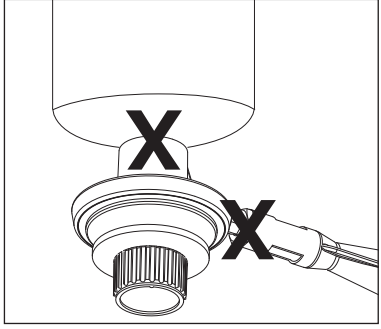


Illustration 5

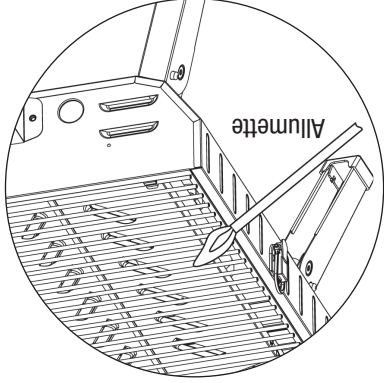


Illustration 6

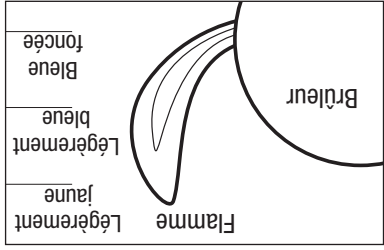


Illustration 7

de du régulateur est correctement raccordé au brûleur.
 é, tournez-le 1/4 à 1/2 tour supplémentaire. Le régulateur devrait pouvoir tourner à 360° même lorsque
 , vérifiez visuellement le branchement au niveau du brûleur et du régulateur avec son bouton de commande
Explosion pouvant entraîner des dégâts matériels, des blessures voire la mort.
 n de commande ne s'imbriquent pas correctement ou si vous avez des questions, veuillez appeler notre
 e gaz

estime à détecter les fuites en mélangeant un volume de liquide à vaisselle et 3 volumes d'eau.
 régulateur du barbecue est sur « ARRÊT » ». Reportez-vous à l'illustration 2.
 versez quelques gouttes de la solution sur tous points de raccord indiqués par un « X » (voir illustrations 5).
 bouteille de propane puis rebranchez-la en vous assurant que le raccord est étanche.
 urs tentatives, débranchez la bouteille de propane en suivant les instructions « Débrancher la bouteille de
 la clientèle au 1.800.694.0013.

mière fois
 quettes ainsi que tous les matériaux d'emballage et films protecteurs du barbecue.
 barbecue pour la première fois, faites fonctionner le barbecue pendant environ 15 minutes avec le couvercle
 (max.) afin d'éliminer les huiles résiduelles de fabrication. La chaleur « nettoiera » les pièces internes et

la zone autour du barbecue demeure dégagee et dépourvue de matières.
 empêcher le débit d'air de combustion du propane ni de ventilation.
 les tubes de venturi et des brûleurs ne sont pas bouchés par des insectes et leurs
 re. Si la tubulure du brûleur est bouchée, ceci risque de provoquer un feu sous le
 image du brûleur avec le couvercle fermé peut provoquer une explosion !
 toujours ouvrir complètement les pieds et sécurisées en place avant d'ouvrir le
 cue.

ction et que rien ne gêne le débit d'air vers les brûleurs. Des araignées et autres insectes peuvent y
 tube venturi au niveau de l'orifice. Si la tubulure du brûleur est bouchée, ceci risque de provoquer un feu
 ant les instructions « Brancher la bouteille de propane ».
 max.)
 neur (3 à 4 fois) pour allumer le brûleur.
 des, tournez le bouton de commande du régulateur sur « ARRÊT », attendez 5 minutes puis reprenez la
 brûleur, utilisez une allumette allumée afin d'allumer manuellement le brûleur. Accédez aux brûleur en
 dans le fond de la cuve comme illustré (voir illustration 6). Tournez le bouton de commande du régulateur

ATTENTION

Si la flamme du brûleur s'éteint lors du
 fonctionnement du barbecue, fermez
 immédiatement le gaz en tournant le bouton de
 commande du régulateur sur « ARRÊT » et
 ouvrez le couvercle afin que le gaz se dissipe et
 attendez 5 minutes avant de tenter à nouveau
 d'allumer le barbecue.

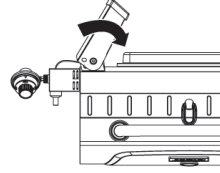
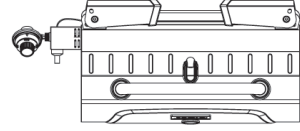
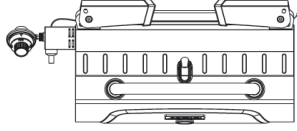
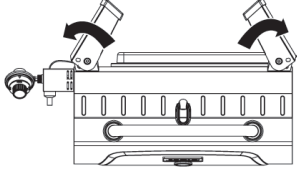
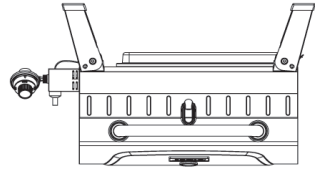
servir la flamme et vérifiez que tous
 illustration 7).

lisateur sur « ARRÊT ». Voir

t les instructions « Débrancher la

me il se doit.

en suivant les instructions



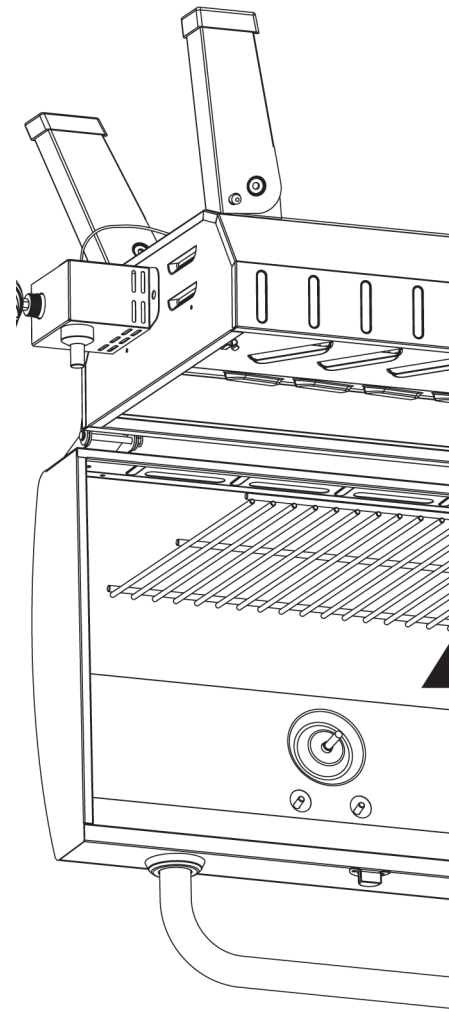
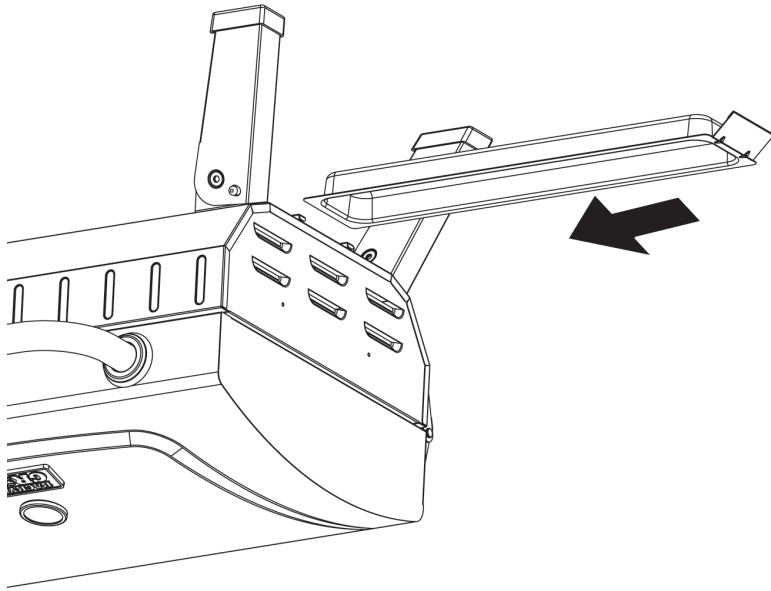
Remarque: Assurez-vous de toujours ouvrir complètement les pieds avant d'allumer le barbecue.

toujours verrouiller le couvercle avant de replier les

Pour déplier les pieds

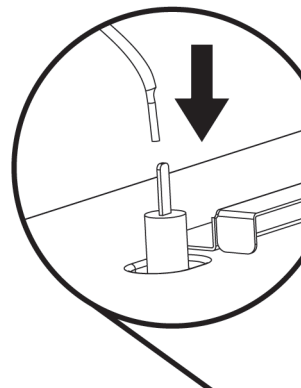
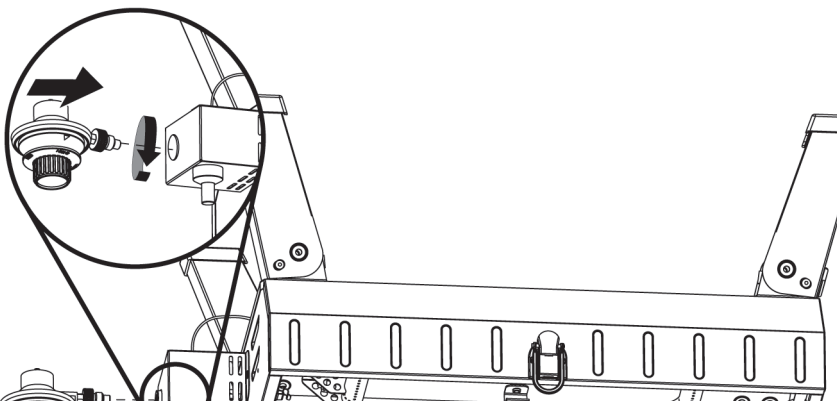


S

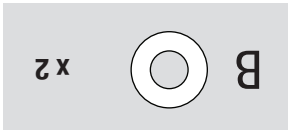
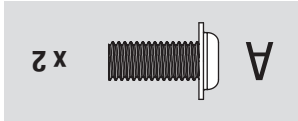
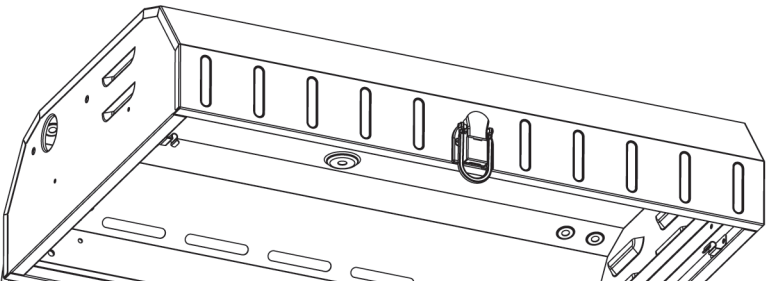


Inserer le collecteur de graisse

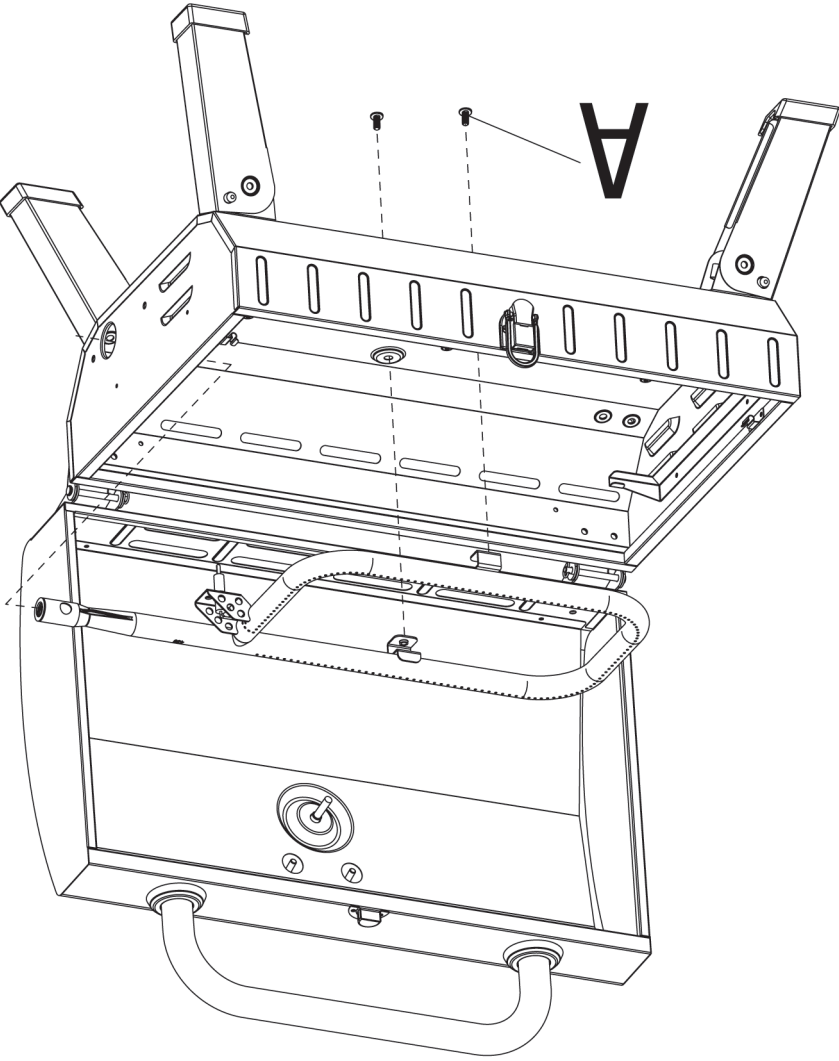
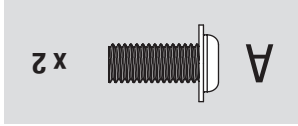
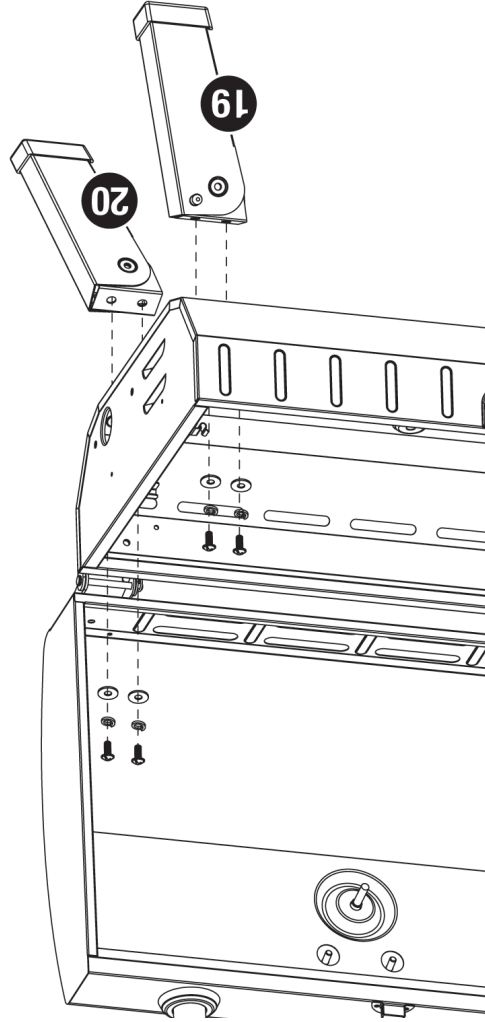
8



avez besoin des choses suivantes:
 n de fuites (voir instructions sur la
 au chapitre « Fonctionnement »).
 e de 14,1 onces ou une (1) bouteille
 (pprox. 450 g) (non fournis).
 minutes.



4 Fixer le brûleur



1 pc

Assemblage (non fournis)

10 pcs	14 pcs
10 pcs	14 pcs
10 pcs	14 pcs

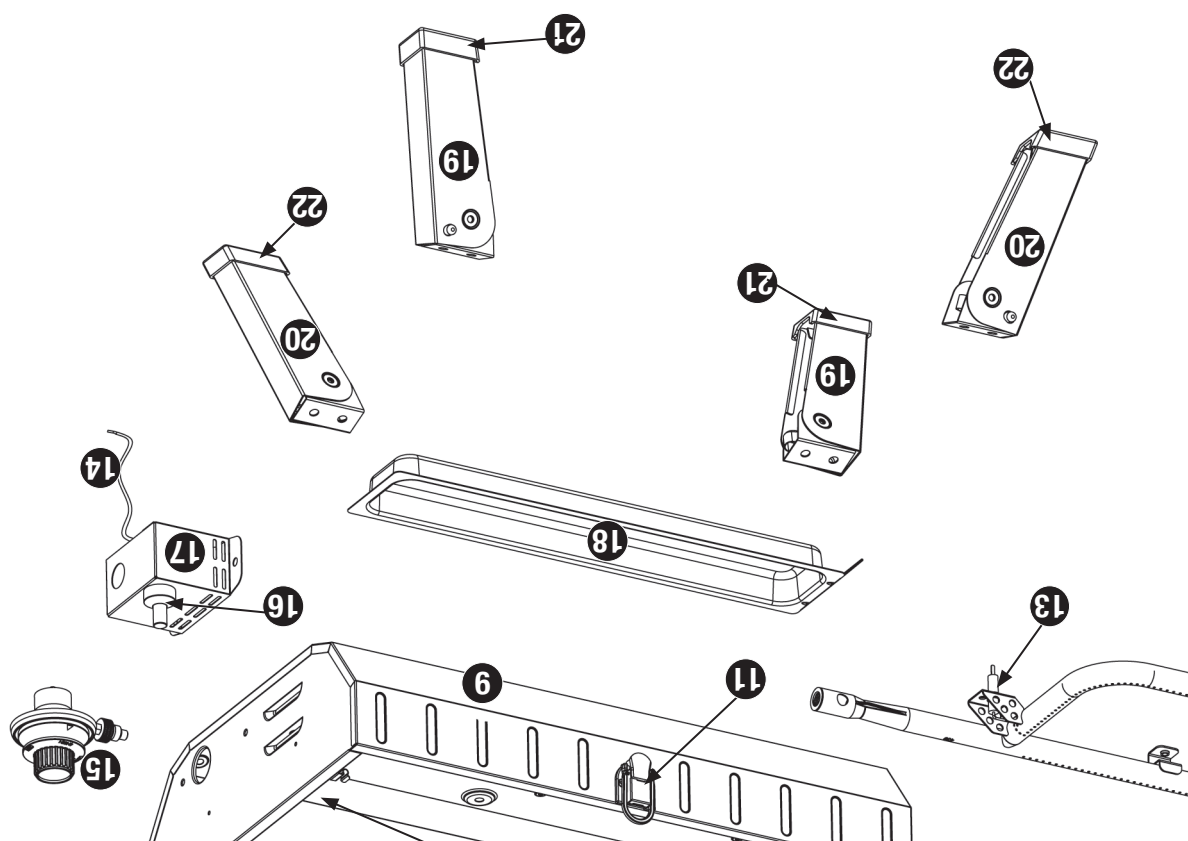
Matériel

140	16	Bouton de l'allumeur*	B0217-K00
130	15	Régulateur avec bouton de commande	B0308-C23
050	14	Fil de l'allumeur*	G1654-160
040	13	Allumeur*	B0406-000
020	12	Brûleur	G1654-060
H80	11	Verrou*	C1340-211
LC2	10	Support du diffuseur de chaleur (2)*	G1654-150
010	9	Cuve du barbecue*	G1654-030

Liste des pièces

G1654-070	17	Boîtier de l'allumeur*	
G1654-080	18	Collecteur de graisse	
G1654-090	19	Pied A (2)	
G1654-100	20	Pied B (2)	
G1654-110	21	Embout de pied A (2)*	
G1654-120	22	Embout de pied B (2)*	

* Prémonté



partements : Vérifier auprès de la gérance pour connaître les conditions requises, la réglementation et le code de
complexe d'habitations collectives concernant l'utilisation d'un barbecue au propane. Si permis, utiliser le barbecue
et en laissant une distance de sécurité de 3 m (10 pieds) entre le barbecue et toute structure. NE PAS l'utiliser sur ou

propane » peuvent être utilisées avec ce barbecue.

fabriquée, marquée et mise en service conformément à la *Réglementation sur les bouteilles de gaz de pétrole liquéfié*
ports des États-Unis (DOT) ou répondre à la Norme nationale canadienne CAN/CSA-B339 sur les bouteilles, sphères et
parchandises dangereuses.

placée afin de faciliter l'extraction des vapeurs de gaz.

nant des traces de rouille risque d'être dangereuse et devrait être vérifiée par votre fournisseur de bouteilles de

ni la manipuler brusquement ou brutalement!

être entreposées à l'extérieur, hors de la portée des enfants et ne doivent pas être entreposées dans un bâtiment, un
me. Les bouteilles de gaz ne doivent jamais être entreposées dans un endroit où la température risque de dépasser

ps étranger dans la sortie du robinet de la bouteille de gaz ni dans la soupape de sécurité. Vous risquez
provoquer une fuite. Toute fuite de propane risque de provoquer une explosion ou un incendie et d'entraîner des

ns sur les côtés, à l'arrière et au fond du barbecue.

propane pleine dans une voiture ou dans le coffre d'une voiture sous une forte chaleur. La chaleur peut provoquer
du gaz, pouvant provoquer l'ouverture de la soupape de sécurité et lui permettre de s'échapper.

e de propane de recharge sous le barbecue ou à moins de 7,6 m (25 pieds) du barbecue.

e barbecue au circuit de propane d'une tente-caravane, autocaravane ou de votre maison.

s ou de drogues risque de nuire à l'aptitude de l'utilisateur à assembler ou à utiliser cet appareil en toute sécurité.

l'utilisateur a un rhume ou une sinusite risque de nuire à la détection du propane. Faire preuve de précaution et de

ois, de liquide allume-barbecue, de pierres de lave, d'essence, de kérosène, de pétrole lampant ou d'alcool avec ce

ine afin de s'assurer que les raccords ne présentent aucune fuite. Vérifier à nouveau tous les raccords en suivant les
e ce manuel car il est possible qu'ils se soient desserrés lors du transport.

aucune fuite même si ce dernier a été assemblé pour vous par quelqu'un d'autre.

s de fuite de gaz. Toute fuite de gaz risque de provoquer un incendie ou une explosion.

es procédures de détection de fuite avant d'utiliser cet appareil. Afin d'éviter tout risque d'incendie et d'explosion

nte pas de fuite en effectuant un « test d'étanchéité » avant d'allumer le barbecue à chaque fois que la bouteille de
ser.

utiliser ni laisser de sources d'ignition à proximité du barbecue lorsque l'on recherche une fuite.

en plein air, dans un emplacement bien aéré.

le briquets ou de flamme nue afin de rechercher une fuite.

ents ou de drogues risque de nuire à l'aptitude de l'utilisateur à assembler ou à utiliser cet appareil en toute sécurité.
ou si vous avez un rhume ou des sinus bouchés, risque de nuire à la détection d'une fuite de propane. Faites preuve

lorsque vous effectuez un test d'étanchéité et recherchez une fuite.

tant d'avoir réparé toute les fuites. S'il s'avère impossible d'arrêter une fuite, débrancher la bouteille de propane.

tre fournisseur de bouteilles de propane.

essence ou de liquides aux vapeurs inflammables à moins de 7,62 m (25 pieds) de cet appareil.

essence de vapeurs et d'émanations explosives. Veiller à ce que la zone autour du barbecue demeure dégagée et

bles, d'essence et d'autres liquides et vapeurs inflammables.

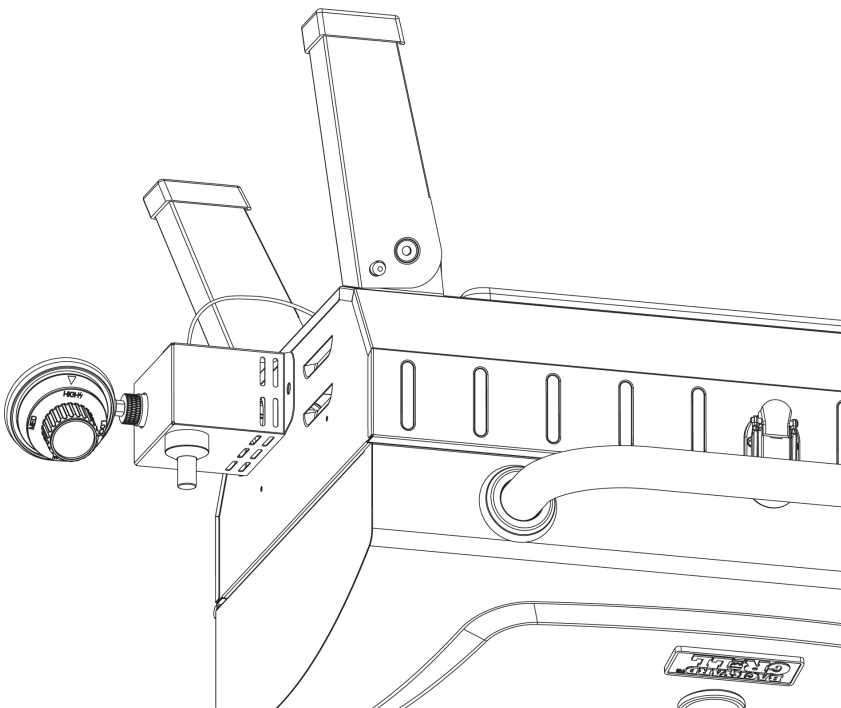
instable se trouve toujours à une distance de sécurité minimum de 36 po. (91,4 cm) cm sur les côtés et derrière le
quelconque suspendue, en saillie ou en surplomb au-dessus du barbecue.

Besoin d'aide? 1.800.694.0013

MANUEL AFIN DE POUVOIR LE CONSULTER ULTERIEUREMENT.
 L'APPAREIL DOIT ÊTRE CONFORME AUX CODES LOCAUX. EN L'ABSENCE DE
 PROpane, CSA B149.1, OU LE CODE DE STOCKAGE ET DE MANIPULATION DU
 GAZ COMBUSTIBLE, LA NORME ANSI Z223.1/NFPA 54, LE CODE
 DES VEHICULES RECREATIFS ANSI A 119.2/NFPA 1192, LA REGLEMENTATION CSA
 DES VEHICULES RECREATIFS SELON LE CAS.

Page 2
 11
 10
 9
 8
 5
 4

Table des matières



- POUR VOTRE SÉCURITÉ:**
1. Ne pas entreposer ni utiliser de l'essence ni d'autres vapeurs ou liquides inflammables dans le voisinage de l'appareil, ni de tout autre appareil.
 2. Une bouteille de propane qui n'est pas raccordée en vue de son utilisation, ne doit pas être entreposée dans le voisinage de cet appareil ou de tout autre appareil.
 3. Le non-respect de ces consignes risque de provoquer un incendie ou une explosion et d'entraîner des dégâts matériels, des blessures graves voire la mort.
 4. Ce manuel d'utilisation contient des consignes de sécurité indispensables au montage et au bon fonctionnement de l'appareil.
 5. Lire et suivre toutes les mises en garde et instructions avant d'assembler et d'utiliser l'appareil.
 6. Suivre toutes les mises en garde et instructions lors de l'utilisation de l'appareil.
 7. Conserver ce manuel afin de pouvoir s'y référer ultérieurement.

AVERTISSEMENT

- POUR VOTRE SÉCURITÉ:**
1. Ne pas entreposer ni utiliser de l'essence ni d'autres vapeurs ou liquides inflammables dans le voisinage de l'appareil, ni de tout autre appareil.
 2. Une bouteille de propane qui n'est pas raccordée en vue de son utilisation, ne doit pas être entreposée dans le voisinage de cet appareil ou de tout autre appareil.

DANGER

Ne jamais laisser cet appareil allumé sans surveillance.

DANGER

- S'il y a une odeur de gaz:**
1. Coupez l'admission de gaz de l'appareil.
 2. Éteindre toute flamme nue.
 3. Ouvrir le couvercle.
 4. Si l'odeur persiste, éloignez-vous de l'appareil et appelez immédiatement le fournisseur de gaz ou le service d'incendie.

AVERTISSEMENT

POUR VOTRE SÉCURITÉ:
 Pour usage à l'extérieur seulement
 (hors de tout abri clos)