

This Owner's Manual is provided and hosted by [Appliance Factory Parts](#).



# Napoleon WUV060T3AA-N Owner's Manual

[Shop genuine replacement parts for Napoleon  
WUV060T3AA-N](#)



[Find Your Napoleon HVAC Parts - Select From 105 Models](#)

----- Manual continues below -----

**INSTALLER: PLEASE FAMILIARIZE YOURSELF WITH VENTING/DRAINING SECTIONS OF THIS MANUAL BEFORE PROCEEDING WITH THE INSTALLATION. LEAVE THIS MANUAL WITH THE APPLIANCE FOR FUTURE REFERENCE.**

**CONSUMER: RETAIN THIS MANUAL FOR FUTURE REFERENCE.**



# INSTALLATION AND OPERATING INSTRUCTIONS

CERTIFIED TO ANSI Z21.47-2016 / CSA 2.3-2016

IOM

UM  
PG  
65

## WUV-N SERIES

### TWO STAGE HIGH EFFICIENCY (CONDENSING) FORCED AIR GAS FURNACE



**UPFLOW ONLY**



Patent pending

#### SAFETY INFORMATION



## WARNING

### ELECTRICAL SHOCK, FIRE OR EXPLOSION HAZARD

Failure to follow safety warnings exactly could result in serious injury, death or property damage.

Improper servicing could result in dangerous operation, serious injury, death or property damage.

As a professional installer, you have an obligation to know the product better than the customer. This includes all safety precautions and related items.

Prior to actual installation, thoroughly familiarize yourself with this instruction manual. Pay special attention to all safety warnings. Often during installation or repair, it is possible to place yourself in a position which is more hazardous than when the unit is in operation.

Remember, it is your responsibility to install the product safely and to know it well enough to be able to instruct a customer in its safe use.



MANUFACTURER RESERVES THE RIGHT TO DISCONTINUE, OR CHANGE AT ANY TIME, SPECIFICATIONS OR DESIGNS WITHOUT NOTICE AND WITHOUT INCURRING OBLIGATIONS.

Wolf Steel Ltd., 24 Napoleon Rd., Barrie, ON, L4M 0G8 Canada /  
103 Miller Drive, Crittenden, Kentucky, USA, 41030

Phone (705)721-1212 • Fax (705)722-6031 • [www.napoleon.com](http://www.napoleon.com) • [hvac@napoleon.com](mailto:hvac@napoleon.com)

H1.52A

# TABLE OF CONTENTS

<b>1.0</b>	<b>INTRODUCTION</b>	<b>4</b>
<b>2.0</b>	<b>SAFETY SYMBOLS AND WARNINGS</b>	<b>4</b>
2.1	SAFETY RULES	6
2.2	CODES	7
<b>3.0</b>	<b>FURNACE SIZING</b>	<b>9</b>
3.1	MODEL INPUT AND TEMPERATURE RISE	9
<b>4.0</b>	<b>LOCATION OF UNIT</b>	<b>10</b>
4.1	GENERAL GUIDELINES	10
4.2	OTHER CONSIDERATIONS	10
4.3	INSTALLATION IN UPFLOW POSITION	11
4.4	AIR CONDITIONING	11
<b>5.0</b>	<b>COMBUSTIBLE CLEARANCES</b>	<b>12</b>
<b>6.0</b>	<b>DUCTWORK</b>	<b>13</b>
6.1	DUCTWORK STEPS	14
<b>7.0</b>	<b>VENTING AND COMBUSTION PIPING</b>	<b>15</b>
7.1	ACCEPTABLE MATERIALS IN CANADA	15
7.2	ACCEPTABLE MATERIALS IN UNITED STATES	15
7.3	VENT DRAIN OPTION	16
<b>8.0</b>	<b>NON-DIRECT VENT FURNACE INSTALLATIONS USING INDOOR COMBUSTION AIR (ONE PIPE SYSTEM)</b>	<b>17</b>
8.1	DETERMINING COMBUSTION AIR	18
8.1.1	CASE 1: FURNACE LOCATED IN A UNCONFINED SPACE	18
8.1.2	CASE 2: FURNACE LOCATED IN A CONFINED SPACE	18
8.1.3	CASE 3: FURNACE LOCATED IN A CONFINED SPACE, OUTDOOR AIR FROM ATTIC OR CRAWL SPACE	19
8.1.4	CASE 4: FURNACE LOCATED IN A CONFINED SPACE, OUTDOOR AIR DUCTED HORIZONTALLY	19
8.1.5	CONNECTION TO FURNACE NON-DIRECT VENT	20
<b>9.0</b>	<b>VENTING GUIDELINES</b>	<b>21</b>
9.1	VENT TERMINATION	22
9.2	IN CANADA	23
9.3	IN UNITED STATES	23
9.4	FURNACE VENTING INSTALLATIONS	24
9.4.1	NON-DIRECT VENT INSTALLATION USING INDOOR COMBUSTION AIR (ONE PIPE SYSTEM)	24
9.4.2	DIRECT VENT INSTALLATION USING OUTDOOR COMBUSTION AIR (TWO PIPE SYSTEM)	24
9.4.3	COMBUSTION AIR	24
<b>10.0</b>	<b>TERMINATIONS</b>	<b>25</b>
10.1	COMBUSTION AIR	25
10.2	EXHAUST	25
10.3	CONCENTRIC VENTING KIT	25
10.4	CONCENTRIC VENT TERMINATION INSTALLATION INSTRUCTIONS	25
10.5	LOCATION	25
10.6	MULTIPLE VENTING	26
<b>11.0</b>	<b>ROUTING OPTIONS</b>	<b>29</b>
11.1	CONDENSATE DRAINS	29
11.2	PREPARATIONS FOR VENT AND DRAINING OPTION	29
11.3	EXHAUSTER ROTATION INSTRUCTIONS & PRESSURE SWITCH MOUNTING	30
11.4	DRAIN HOSE INSTALLATION	33
11.4.1	DRAIN PIPING	33
11.4.2	PRIMING CONDENSATE TRAP	34
11.5	ALTERNATE CONDENSATE DRAIN PIPING INSTALLATION USING PVC OR CPVC	34
11.6	CONDENSATE NEUTRALIZERS	35
<b>12.0</b>	<b>GAS SUPPLY AND PIPING</b>	<b>36</b>
12.1	GAS SUPPLY	36
12.2	GAS PIPING	36
12.3	GAS INLET PRESSURE	37
12.4	LEAK TESTING	37

12.5	PURGING GAS LINES	37
<b>13.0</b>	<b>CONVERSIONS</b>	<b>38</b>
13.1	HIGH ALTITUDE CONVERSION	38
13.2	NATURAL TO LP GAS CONVERSION	38
13.3	CONVERSION STEPS	38
13.4	CHECKING THE INLET GAS PRESSURE	38
13.5	SETTING THE MANIFOLD GAS PRESSURE	39
13.6	CHECKING FURNACE INPUT	40
<b>14.0</b>	<b>ELECTRICAL SPECIFICATIONS</b>	<b>41</b>
14.1	ELECTRICAL WIRING AND CONNECTIONS	41
14.2	FURNACE CONNECTION	42
<b>15.0</b>	<b>LOW VOLTAGE WIRING</b>	<b>43</b>
15.1	SINGLE STAGE THERMOSTAT	43
15.2	TWO STAGE THERMOSTAT	44
15.3	THERMOSTAT LOCATION	44
15.4	FURNACE PAIRED WITH HEAT PUMP	44
<b>16.0</b>	<b>OPTIONAL ACCESSORIES (FIELD SUPPLIED/INSTALLED)</b>	<b>45</b>
16.1	ELECTRONIC AIR CLEANER	45
16.2	POWER HUMIDIFIER	45
<b>17.0</b>	<b>INITIAL START-UP PROCEDURES</b>	<b>45</b>
17.1	TO START THE FURNACE	45
17.2	TO SHUT DOWN THE FURNACE	46
17.3	SEQUENCE OF OPERATION	46
<b>18.0</b>	<b>AIR FLOW</b>	<b>47</b>
18.1	TEMPERATURE RISE CHECK	47
18.2	CALCULATING AIR FLOW	47
18.3	BLOWER AIRFLOW	48
18.4	DEHUMIDIFICATION	49
18.5	BLOWER "ON" AND "OFF" TIMINGS	50
18.6	CONTINUOUS FAN OPERATION	50
<b>19.0</b>	<b>MAINTENANCE AND TROUBLESHOOTING</b>	<b>51</b>
19.1	AIR FILTER	51
19.2	LUBRICATION	51
19.3	CLEANING	52
19.4	TROUBLESHOOTING FLOWCHART	55
19.5	DIAGNOSTIC CODES FOR STATUS LED	56
19.6	FAULT CODE HISTORY	56
19.7	INTERNAL LIGHTING SYSTEM	56
19.8	UV LAMP REPLACEMENT	57
<b>20.0</b>	<b>WIRE DIAGRAM FOR TWO STAGE FURNACE</b>	<b>58</b>
<b>21.0</b>	<b>WARRANTY</b>	<b>60</b>
<b>22.0</b>	<b>REPLACEMENT PARTS LIST</b>	<b>61</b>
<b>23.0</b>	<b>SERVICE HISTORY</b>	<b>63</b>
<b>24.0</b>	<b>NOTES</b>	<b>64</b>

**NOTE:** Changes, other than editorial, are denoted by a vertical line in the margin.

***IMPORTANT:***

PLEASE READ THIS MANUAL CAREFULLY AND KEEP IN A SAFE PLACE FOR FUTURE REFERENCE BY A SERVICE TECHNICIAN.

***ATTENTION:***

TO REMOVE OUTER STAINLESS STEEL DOOR, FIRMLY GRAB DOOR SIDES AND PULL OFF.  
TO REPLACE OUTER STAINLESS STEEL DOOR, ALIGN AND PUSH DOOR ON INTO PLACE.

H1.22.1

This manual is for the:

**WUV-N Series (WUV040T2AA-N / WUV060T3AA-N / WUV080T3AA-N / WUV080T4BA-N / WUV100T5BA-N / WUV120T5BA-N)**

These models may be referenced according to their input (K/Btu/hr) in some figures (i.e. 40 / 60 / 80-3 / 80-4 / 100 / 120).

## 1.0 INTRODUCTION

This high efficient gas fired two stage condensing furnace is an upflow only, warm air furnace suitable for residential and light commercial heating applications with inputs 40,000 to 120,000 Btu/hr.

This high efficient furnace series is CSA certified as a Category IV indirect or direct vent central forced air furnace. When installed as a direct vent furnace, all combustion air is supplied to the furnace burners through the air intake system. (See Section 7, "Ventilation and Combustion Piping.")

All models may be fired by natural or LP gas (propane), and may be field converted from natural gas to LP gas using Conversion Kit W370-0018.

The furnace is shipped completely assembled except for the condensate drain trap assembly. Please inspect for damage when the furnace is unpacked.

H4.0.9A

## 2.0 SAFETY SYMBOLS AND WARNINGS

Understand and pay particular attention to the words DANGER, WARNING, and CAUTION and the following defined symbols are used throughout this manual to notify the reader of potential hazards of varying risk levels.

### ⚠ DANGER ⚠

INDICATES AN IMMEDIATELY HAZARDOUS SITUATION WHICH, IF NOT AVOIDED, WILL RESULT IN DEATH OR SERIOUS INJURY.

### ⚠ WARNING ⚠

INDICATES A POTENTIALLY HAZARDOUS SITUATION WHICH, IF NOT AVOIDED, COULD RESULT IN DEATH OR SERIOUS INJURY.

### ⚠ CAUTION ⚠

INDICATES A POTENTIAL HAZARDOUS SITUATION WHICH, IF NOT AVOIDED, MAY RESULT IN MINOR OR MODERATE INJURY. IT MAY ALSO BE USED TO ALERT AGAINST UNSAFE PRACTICES.

H3.3.1

### **IMPORTANT:**

**READ THE FOLLOWING INSTRUCTIONS COMPLETELY BEFORE INSTALLING!**

H6.0

**⚠ WARNING ⚠**

IF THE INFORMATION IN THESE INSTRUCTIONS IS NOT FOLLOWED EXACTLY, A FIRE OR EXPLOSION MAY RESULT, CAUSING PROPERTY DAMAGE, PERSONAL INJURY OR LOSS OF LIFE.

**FOR YOUR SAFETY**

DO NOT STORE OR USE GASOLINE OR OTHER FLAMMABLE VAPORS AND LIQUIDS, OR OTHER COMBUSTIBLE MATERIALS IN THE VICINITY OF THIS OR ANY OTHER APPLIANCE.

**WHAT TO DO IF YOU SMELL GAS**

- DO NOT TRY TO LIGHT ANY APPLIANCE.
- DO NOT TOUCH ANY ELECTRICAL SWITCH; DO NOT USE ANY PHONE IN YOUR BUILDING.
- IMMEDIATELY CALL YOUR GAS SUPPLIER FROM A NEIGHBOR'S PHONE, OR A CELLULAR PHONE FROM A LOCATION WELL AWAY FROM THE BUILDING. FOLLOW THE GAS SUPPLIER'S INSTRUCTIONS.
- IF YOU CANNOT REACH YOUR GAS SUPPLIER, CALL THE FIRE DEPARTMENT.
- DO NOT RE-ENTER THE BUILDING UNTIL AUTHORIZED TO DO SO BY THE GAS SUPPLIER OR THE FIRE DEPARTMENT.

IMPROPER INSTALLATION, ADJUSTMENT, ALTERATION, SERVICE OR MAINTENANCE CAN CAUSE INJURY, PROPERTY DAMAGE OR LOSS OF LIFE. REFER TO THIS MANUAL.

INSTALLATION AND SERVICE MUST BE PERFORMED BY A QUALIFIED INSTALLER, SERVICE AGENCY OR THE GAS SUPPLIER.

H3.3A

**⚠ WARNING ⚠**

THESE INSTRUCTIONS ARE INTENDED AS AN AID TO QUALIFIED SERVICE PERSONNEL FOR PROPER INSTALLATION, ADJUSTMENT AND OPERATION OF THIS FURNACE. READ THESE INSTRUCTIONS THOROUGHLY BEFORE ATTEMPTING INSTALLATION OR OPERATION. FAILURE TO FOLLOW THESE INSTRUCTIONS MAY RESULT IN IMPROPER INSTALLATION, ADJUSTMENT, SERVICE OR MAINTENANCE, POSSIBLY RESULTING IN FIRE, ELECTRICAL SHOCK, CARBON MONOXIDE POISONING, EXPLOSION, PROPERTY DAMAGE, PERSONAL INJURY OR DEATH.

H3.4

**⚠ WARNING ⚠****CARBON-MONOXIDE POISONING HAZARD**

FAILURE TO FOLLOW INSTRUCTIONS COULD RESULT IN SEVERE PERSONAL INJURY OR DEATH DUE TO CARBON-MONOXIDE POISONING, IF COMBUSTION PRODUCTS INFILTRATE INTO THE BUILDING.

CHECK THAT ALL OPENINGS IN THE OUTSIDE WALL AROUND THE VENT (AND AIR INTAKE) PIPE(S) ARE SEALED TO PREVENT INFILTRATION OF COMBUSTION PRODUCTS INTO THE BUILDING.

CHECK THAT FURNACE VENT (AND AIR INTAKE) TERMINAL(S) ARE NOT OBSTRUCTED IN ANY WAY DURING ALL SEASONS.

H3.92

## 2.1 SAFETY RULES

1. Use this furnace only with type of gas approved for this furnace. Refer to the furnace rating plate.
2. Install this furnace only in dry indoor locations (protected from weather).
3. Provide adequate combustion and ventilation air to the furnace space as specified in Section 7 of this manual, "*Ventilation and Combustion Piping.*"
4. Combustion products must be discharged outdoors. Connect this furnace to an approved vent system only, as specified in Section 7 of this manual, "*Venting and Combustion Piping.*"
5. Never test for gas leaks with an open flame. Use a commercially available soap solution made specifically for the detection of leaks to check all connections as specified in Section 12 of this manual, "*Gas Supply and Piping.*"
6. Always install furnace to operate within the furnace's intended temperature-rise range with a duct system, which has an external static pressure within the allowable range, listed on the furnace rating plate, and as specified in Sections 3, 6, and 18 of this manual, "*Furnace Sizing,*" "*Ductwork,*" and "*Airflow.*"
7. When a furnace is installed so that the supply ducts carry air circulated by the furnace to areas outside the space containing the furnace, the return air shall also be handled by duct(s) sealed to the furnace casing and terminating outside the space containing the furnace. (Furnace for heating the home located in the attached garage, for example).
8. A gas-fired furnace for installation in a residential garage must be installed so that the burners and ignitor are no less than 18" (457 mm) above the floor. The furnace must be located, or protected to avoid physical damage by vehicles. (*See safety warning.*)
9. Wolf Steel furnaces may be used as a construction heater provided that the furnace installation and operation of the appliance complies with the items listed below:
  - a) The vent system must be permanently installed per manufacturer's instructions. One hundred percent (100%) outdoor air must be provided for combustion air requirements during construction. This is to minimize the corrosive effects of adhesives, sealers and other construction materials. It also prevents the entrainment of drywall dust into combustion air, which can cause fouling and plugging of furnace components.
  - b) Furnace must be operating under thermostatic control. The use of fixed jumpers that will provide continuous heating is not allowed.
  - c) Air filters must be installed in the system and replaced or maintained daily during construction.
  - d) The return air duct must be provided and sealed to the furnace.
  - e) Return air temperature range between 55°F (13°C) and 80°F (27°C) must be maintained with no evening setback or shutdown.
  - f) The input rate and temperature rise must be set per the furnace rating plate.
  - g) The furnace, ductwork and filters are cleaned as necessary to remove drywall dust and construction debris from all HVAC system components and verify furnace operating conditions including ignition, input rate, temperature rise, and venting, according to the manufacturer's instructions after construction is completed.
  - h) Furnace doors must be in place on the furnace while the furnace is operating in any mode. Damage or repairs due to failure to comply with these requirements are not covered under the warranty.

---

H6.7A

## 2.2 CODES

1. This furnace must be installed:
  - a. In accordance with all local codes, by-laws and regulations by those authorities having jurisdiction.
  - b. In Canada, this furnace must be installed in accordance with the current CAN/CGA -B149.1 and .2 Natural Gas and Propane, and the National Electric Code (NEC) NFPA 70.
  - c. In the United States, this furnace must be installed in accordance with the current ANSI Z223.1 (NFPA 54) National Fuel Gas Code.
2. Electrical connections must be made in accordance with:
  - a. Any applicable local codes, by-laws and regulations.
  - b. Canada: current edition of CAN/CSA C22.1 and C22.2, Canadian Electrical Code (Part 1 and 2).
  - c. United States: current edition of ANSI/NFPA 70, National Electrical Code.

Codes and additional information may be obtained from:

Canadian Standards Association  
5060 Spectrum Way  
Mississauga, Ontario, L4W 5N6  
Phone: (416) 747-4000  
website: [www.csa.ca](http://www.csa.ca)

American Gas Association  
400 North Capitol Street, NW, Suite 450  
Washington DC, 20001  
Phone: (202) 824-7000  
website: [www.aga.org](http://www.aga.org)

National Fire Protection Association  
1 Batterymarch Park  
Quincy, MA, 02169-7471  
Phone: (617) 770-3000  
website: [www.nfpa.org](http://www.nfpa.org)

H6.2

### ⚠ WARNING ⚠

**DO NOT INSTALL THIS FURNACE IN A MOBILE HOME! THIS FURNACE IS NOT APPROVED FOR INSTALLATION IN A MOBILE HOME. DOING SO COULD CAUSE FIRE, PROPERTY DAMAGE, PERSONAL INJURY OR LOSS OF LIFE.**

**THE FURNACE CONTAINS FOIL COVERED FIBERGLASS INSULATION. INHALATION OF FIBERGLASS PARTICLES IS ASSOCIATED WITH RESPIRATORY DISEASE INCLUDING CANCER.**

**NATURAL GAS AND PROPANE ARE NORMALLY ODORIZED BY THE FUEL SUPPLIER. IN SOME CASES, THE ODORANT MAY NOT BE PERCEIVABLE. INSTALLATION OF UL AND ULC RECOGNIZED FUEL GAS DETECTORS INSTALLED IN ACCORDANCE WITH THEIR MANUFACTURER'S INSTRUCTIONS IS RECOMMENDED AS AN ADDITIONAL MARGIN OF SAFETY.**

**THE EXHAUST GASES FROM THIS FURNACE CONTAIN CHEMICALS WHICH ON SOME OCCASIONS MAY INCLUDE CARBON MONOXIDE. CARBON MONOXIDE IS AN ODORLESS, TASTELESS, CLEAR COLORLESS GAS WHICH IS HIGHLY TOXIC. EVEN LOW CONCENTRATIONS ARE SUSPECTED OF CAUSING BIRTH DEFECTS AND OTHER REPRODUCTIVE HARM.**

**UL AND ULC RECOGNIZED CO DETECTORS ARE RECOMMENDED FOR ALL BUILDINGS EQUIPPED WITH FOSSIL FUEL BURNING APPLIANCES. ALL CO DETECTORS SHOULD BE INSTALLED IN ACCORDANCE WITH THEIR MANUFACTURER'S INSTRUCTIONS AND APPLICABLE LOCAL BUILDING CODES.**

**FIRE, EXPLOSION OR CARBON MONOXIDE POISONING HAZARD!  
FAILURE TO REPLACE WITH PROPER CONTROL COULD RESULT IN FIRE, EXPLOSION OR CARBON MONOXIDE POISONING.  
REPLACE GAS VALVE ONLY WITH THE SAME MODEL NUMBER OR AS SPECIFIED BY THE MANUFACTURER.**

H3.5

## ⚠ WARNING ⚠

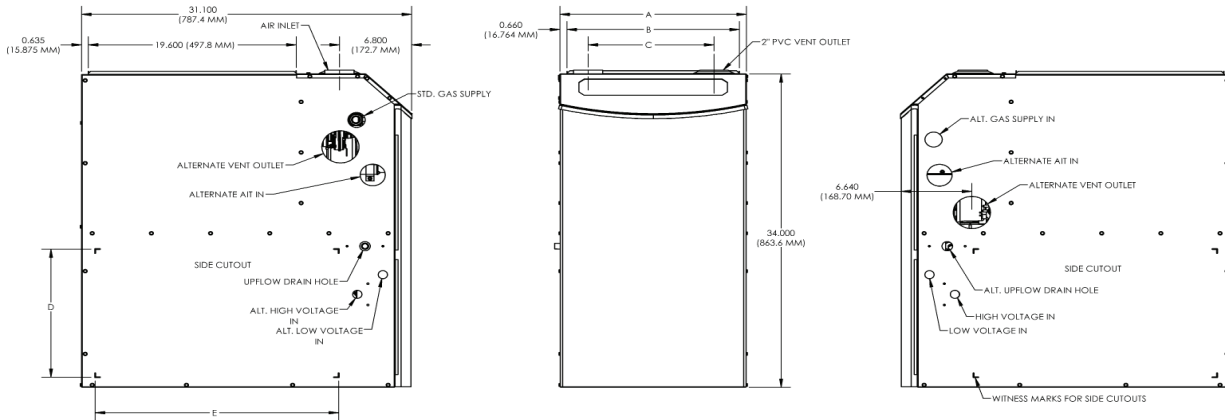
**WHEN THIS FURNACE IS INSTALLED IN A STORAGE GARAGE, IT MUST BE INSTALLED SO THE BURNERS AND IGNITION SOURCE ARE LOCATED NO LESS THAN 18" (457 mm) ABOVE THE FLOOR TO PREVENT THE RISK OF IGNITING FLAMMABLE VAPORS WHICH MAY BE PRESENT IN THE GARAGE.**

**THE FURNACE MUST BE LOCATED OR PROTECTED TO AVOID PHYSICAL DAMAGE BY VEHICLES.**

**FAILURE TO HEED THESE WARNINGS CAN CAUSE A FIRE OR EXPLOSION, RESULTING IN PROPERTY DAMAGE, PERSONAL INJURY OR LOSS OF LIFE.**

H3.6A

**FIGURE 1 - FURNACE DIMENSIONS**



**TABLE A - FURNACE DIMENSIONS**

INPUT K/Btu/hr	Width A	Depth B	Height C	Supply Air (F x G)	Return Air (D x E)
40	17 1/2" (445 mm)	31" (787 mm)	34" (864 mm)	16 1/4" x 19 5/8" (413mm x 499mm)	14" x 23" (356 mm x 584 mm)
60					
80-3	22 1/2" (572 mm)	31" (787 mm)	34" (864 mm)	21 1/4" x 19 5/8" (540mm x 499mm)	14" x 23" (356 mm x 584 mm)
80-4					
100*					
120*					

**\*NOTE:** If the airflow requirements exceed 1800 cfm, models will require air openings and filters on:

- both sides, OR
- one side and the bottom, OR
- just the bottom

H12.6.13C

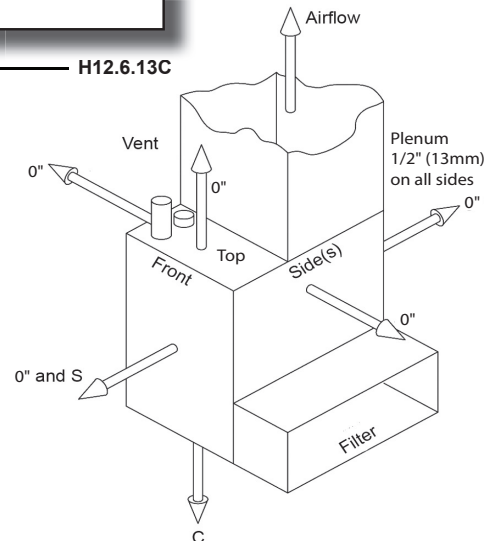
**TABLE B - MINIMUM CLEARANCES TO COMBUSTIBLE MATERIALS**

	UPFLOW
TOP	0
PLENUM TOP	1/2" (13mm)
FRONT	0*
BACK	0
SIDES	0
BOTTOM	0***
FLUE PIPE	0
ENCLOSURE	CLOSET

\*24" (610mm) REQUIRED FOR SERVICE

\*\*\*CERTIFIED FOR CLOSET INSTALLATION ON COMBUSTIBLE FLOORING.

H12.11.4b



NOTES:  
S - Service clearance 24 inches (610mm) or more.  
C - Combustible floor (but not carpet or non-ceramic tile).  
All models approved for closet installation.

## 3.0 FURNACE SIZING

The maximum hourly heat loss for each heated space shall be calculated in accordance with the procedures described in the manuals of the *Heating, Refrigeration and Air Conditioning Institute of Canada (HRAI)*, or by any other method which is suitable for local conditions, provided the results obtained are in substantial agreement with, and not less than those obtained using the procedure described in their manuals.

In the United States, "*Manual J - Load Calculation*," published by the Air Conditioning Contractors of America, describes a suitable procedure for calculating the maximum hourly heat loss.

If the installation is a retrofit application, do not rely on the capacity of the existing heating equipment as a method to size the new furnace. Many of the heat transfer multiples listed in earlier versions of load calculation manuals were much higher than those listed in more recent editions. It is possible that energy saving measures have been completed since the installation of the existing furnace. This might include additional insulation in the attic or walls, the application of sprayed foam insulation, the addition of storm windows and doors, weather-stripping, caulking, etc.

Many of the older furnaces were equipped with large belt drive blower systems, operating at low RPM's. If replacing an existing furnace, be sure that the existing ductwork can handle the amount of airflow necessary for a reasonable temperature rise. Most older gas furnaces operated with a system temperature rise of 70 - 100°F (39 - 56°C). This furnace is designed to be operated with a system temperature rise ( $\Delta T$ ) as illustrated in "model input and temperature" section. If the furnace selected has an identical output capacity as the original furnace, a substantial increase in system air flow will be necessary. See section 3.1 and the airflow characteristics in Section 18 of this manual.

Existing ductwork should be assessed for its air handling capabilities.

The "*Equal Friction Chart*," as published by ASHRAE and HRAI, is the basis for the various air duct calculators available through heating supply companies. Following the air velocity guide lines, according to the "*Equal Friction Chart*," or a slide rule air duct calculator, a typical 6" (152mm) round duct has a capacity of approximately 100 cfm.

### **NOTE:**

The return air system is equally as important as the supply air system. An under-sized return air system will prevent sufficient quantities of air from reaching the supply air system and will consequently reduce the service life of the furnace and its components.

H7.0.7

### 3.1 MODEL INPUT AND TEMPERATURE RISE

	FIRE RATE	INPUT	OUTPUT	DELTA T (°F)
WUV040T2AA-N	High Fire	40,000	39,000	40-70
	Low Fire	24,000	23,000	35-65
WUV060T3AA-N	High Fire	60,000	58,000	40-70
	Low Fire	36,000	35,000	35-65
WUV080T3AA-N	High Fire	80,000	78,000	45-75
	Low Fire	48,000	47,000	40-70
WUV080T4BA-N	High Fire	80,000	78,000	40-70
	Low Fire	48,000	47,000	35-65
WUV100T5BA-N	High Fire	100,000	97,000	40-70
	Low Fire	60,000	58,000	35-65
WUV120T5BA-N	High Fire	120,000	116,000	40-70
	Low Fire	72,000	70,000	35-65

## 4.0 LOCATION OF UNIT

### 4.1 GENERAL GUIDELINES

1. Select a location where the exhaust and combustion air piping can be routed between the furnace and their terminations with a minimum of lengths and fittings. Be sure to check that the proposed termination location will meet code requirements with respect to location and minimum clearances. (*See venting section for minimum and maximum limits.*)
2. Select a location as near as possible to the existing or proposed duct system.
3. The furnace location must have provisions for condensate drainage. If a suitable drain is unavailable near the furnace, a condensate pump must be used. The condensate pump drain tubing must not terminate outdoors; similar to some air conditioning condensate installations. Be sure to select a condensate pump that has been approved for furnace condensate applications.
4. The furnace location must permit access for servicing and be within the clearance to combustibles guidelines as marked on the appliance rating plate.
5. The furnace must be installed on a level surface. It is recommended that the rear of the furnace be elevated 1/4" (6mm) higher than the front to facilitate proper condensate drainage.
6. If the furnace is being installed so that the return air will enter through the bottom, the perimeter of the furnace must be properly supported.
7. **In right venting configuration, furnace must drain on the left side.**

---

 H8.1.3

### 4.2 OTHER CONSIDERATIONS

1. If the furnace is to be located in an area where the combustion air is laden with chemical compounds such as bromine, chlorine or fluorine, as may be found in swimming pool chemicals, laundry detergents, etc., **use outdoor air for combustion.** These compounds when exposed to flame, form acids which attack the heat exchanger and other components.

Exposure to the following substances in the combustion air supply (but not limited to the following) will also require OUTDOOR AIR for combustion:

- Aerosols, particularly CFC based or propelled aerosols
  - Air fresheners
  - "Airplane Glue" and similar adhesives and cements
  - Ammonia, as commonly found in permanent wave solutions used in hair dressing salons
  - Anti-static fabric softeners used in clothes dryers
  - Carbon tetrachloride
  - Chlorinated cleaners and waxes
  - Chlorine and bromine based swimming pool chemicals
  - De-icing salts or chemicals (rock salt, etc.)
  - Dry cleaning fluids such as perchloroethylene
  - Fumes from curing polyurethane and similar substances
  - Halogen based refrigerants including R-12 and R-22
  - Hydrochloric acid, muriatic acid and other acid based masonry washing and curing materials
  - Printer's inks, paint removers, varnishes, varsol, toluene, etc.
  - Water softener salt and chemicals
2. If this furnace is to be installed in an area over a finished ceiling or living area, install a field fabricated auxiliary drain pan under the furnace to protect that area from accidental condensate spills. The auxiliary pan should be large enough to collect accidentally spilled condensate from the air conditioning evaporator coil assembly if applicable.
  3. If the furnace is installed in an area where freezing may occur, a garage, an attic, a crawl space or any unconditioned space, steps must be taken to protect the condensate trap and drain line from freezing.

---

 H8.2

### 4.3 INSTALLATION IN UPFLOW POSITION

**UPFLOW INSTALLATION:** Vent positioning, pressure switch location and drain locations shall be performed in accordance with instructions in the appropriate sections of this manual.

**NON-SUSPENDED INSTALLATION:** Maintain clearances to combustibles as outlined in Table B. The furnace must be supported in such a way as to not allow twisting or sagging of the cabinet.

**IMPORTANT:**

- **THE FURNACE MUST BE INSTALLED ON A LEVEL SURFACE. IT IS RECOMMENDED THAT THE REAR OF THE FURNACE BE ELEVATED 1/4" (6 mm) HIGHER THAN THE FRONT TO FACILITATE PROPER CONDENSATE DRAINAGE.**
- **IF THE FURNACE AND AIR CONDITIONER IS LOCATED ABOVE A FINISHED SPACE, INSTALL A DRAIN PAN UNDERNEATH THE UNIT.**

**NOTE**

THIS FURNACE IS CERTIFIED FOR UPFLOW INSTALLATION ONLY.

This furnace is approved for installation in attics, alcoves, utility rooms, closets and crawl spaces. If this furnace is to be installed in a utility room, be sure that it is located in such a way as to allow access for servicing or the removal of other appliances installed in the room (hot water heater, for example). It is not permissible to use a rear return on this appliance. Use only side and bottom returns.

---

H8.3.3

### 4.4 AIR CONDITIONING

This furnace may be used as part of an air conditioning system. The furnace wiring and control system is "air conditioning ready." There are the following factors to consider:

The air conditioning evaporator coil must be downstream of the heat exchanger. The cooled air passing over the warmer heat exchanger tubes can cause condensation inside the tubes, resulting in corrosion and premature failure.

If installing a two stage air conditioning system, clip the JW38 jumper wire between Y (low cool) and Y2 (high cool) on the furnace control board.

Control defaults to Y2 (high cool) if JW38 jumper wire is NOT cut.

---

H8.4.4

## 5.0 COMBUSTIBLE CLEARANCES

Table B provides the certified clearances to combustibles information. Also see the appliance rating plate affixed to the furnace for specific model number, serial number and clearance to combustibles information.

**IMPORTANT:**

THIS FURNACE REQUIRES A MINIMUM OF 24" (610mm) OF FRONT CLEARANCE FOR SERVICE PURPOSES. FOR THIS PURPOSE, SERVICE CLEARANCE TAKES PRECEDENCE OVER CLEARANCE TO COMBUSTIBLES.

H9.0

### ⚠ WARNING ⚠

**THIS FURNACE IS CERTIFIED FOR INSTALLATION ON COMBUSTIBLE FLOORS. THIS SHALL BE INTERPRETED AS A WOOD FLOOR ONLY. FAILURE TO COMPLY WITH THESE INSTRUCTIONS CAN RESULT IN FIRE, CAUSING PROPERTY DAMAGE, PERSONAL INJURY OR DEATH.**

**THE FURNACE MUST NOT BE INSTALLED DIRECTLY ON CARPETING, TILE, OR ANY COMBUSTIBLE MATERIAL OTHER THAN WOOD FLOORING.**

**THE AREA AROUND THE FURNACE MUST BE KEPT CLEAR AND FREE OF ALL COMBUSTIBLE MATERIALS INCLUDING GASOLINE AND OTHER FLAMMABLE VAPORS AND LIQUIDS.**

**THE HOMEOWNER SHOULD BE CAUTIONED THAT THE FURNACE AREA MUST NOT BE USED AS A CLOSET OR FOR ANY OTHER STORAGE PURPOSE.**

H3.97

## 6.0 DUCTWORK

Proper airflow is required for the correct operation of this furnace. Insufficient airflow may cause erratic operation, could cause the furnace to cycle on the high temperature limit, and may damage the heat exchanger. Excessive airflow may result in an excessively noisy duct system and may result in undesirable consequences such as creating uncomfortable drafts.

If air conditioning is to be used with the furnace, the duct system must be capable of delivering the correct amount of airflow for each system.

The ductwork should be sized and constructed in accordance with accepted industry standards. Duct sizing and construction information may be obtained from:

- A.C.C.A. (Air Conditioning Contractors of America)
- A.S.H.R.A.E. (American Society of Heating, Refrigeration and Air Conditioning Engineers)
- H.R.A.I. (Heating, Refrigerating and Air Conditioning Institute (Canada))
- S.M.A.C.N.A. (Sheet Metal and Air Conditioning Contractors' National Association (United States))

All of the above professional organizations have duct sizing manuals available.

The total static pressure drop of the air distribution system (including filters) should not exceed 1.0" w.c. or that specified on product rating plate.

<b>⚠ WARNING ⚠</b>
<b>DO NOT ALLOW GAS PIPING TO BE ROUTED THROUGH JOIST SPACES THAT ARE USED FOR RETURN AIR PURPOSES. DO NOT USE JOIST SPACES FOR RETURN AIR PURPOSES IF THE JOIST SPACE ALREADY CONTAINS PLUMBING STACKS, CHIMNEY COMPONENTS, ETC. UNLESS THE PORTION USED FOR RETURN AIR PURPOSES CAN BE COMPLETELY ISOLATED FROM PORTIONS WITH OTHER USAGES.</b>
<b>NEVER ALLOW THE PRODUCTS OF COMBUSTION FROM THE FLUE TO ENTER THE RETURN AIR OR SUPPLY AIR DUCTWORK.</b>
<b>ALL RETURN AIR DUCTWORK MUST BE ADEQUATELY SEALED AND SECURED TO THE FURNACE WITH SHEET METAL SCREWS. TAPE THE SHEET METAL SEAMS IN THE VICINITY OF THE FURNACE WITH DUCT TAPE OR SIMILAR MATERIAL.</b>
<b>WHEN THE FURNACE IS MOUNTED ON A PLATFORM WITH RETURN AIR THROUGH THE BOTTOM, IT MUST BE SEALED AIR TIGHT BETWEEN THE FURNACE AND THE RETURN AIR PLENUM. THE FLOOR OR PLATFORM MUST PROVIDE SOUND PHYSICAL SUPPORT OF THE FURNACE WITHOUT SAGGING OR GAPS AROUND THE BASE. IT MUST ALSO BE SEALED BETWEEN THE SUPPORT AND THE BASE.</b>
<b>FAILURE TO PREVENT PRODUCTS OF COMBUSTION FROM BEING CIRCULATED INTO THE LIVING SPACE CAN CREATE POTENTIALLY HAZARDOUS CONDITIONS, INCLUDING CARBON MONOXIDE POISONING THAT COULD RESULT IN PERSONAL INJURY OR DEATH.</b>

H3.8

## 6.1 DUCTWORK STEPS

1. Position the furnace to minimize ductwork length and fittings.
2. Cut open a return air inlet. The choices are furnace bottom, either side, or any combination thereof (i.e., two sides or a side and the bottom). In all cases, cut the return air opening the full width of the return air markers on the side panel.

### ! WARNING !

**DO NOT USE THE REAR PANEL AS A RETURN AIR INLET. THERE IS INSUFFICIENT ROOM TO PERMIT ADEQUATE AIRFLOW.**

**DAMAGES, DEFECTS OR FAILURES CAUSED BY CONDITIONED AIR (RETURN AIR) SUPPLIED TO THE FURNACE BEING GREATER THAN 20% FROM OUTDOORS (55°F/13°C MIN. RETURN AIR TEMPERATURE).**

**SOME HEATING AIR FLOW VALUES MAY BE HIGHER THAN THOSE REQUIRED FOR COOLING. BE SURE TO SIZE DUCT SYSTEM FOR HIGHEST POSSIBLE VALUES.**

H3.9

3. Connect the return air duct or filter fitting to the furnace. The connection should be sealed air tight to prevent entraining combustion gases from an adjacent fuel burning appliance, or entraining combustion air for this furnace or adjacent fuel burning appliances.
4. Ensure that there is adequate space and accessibility for air filter removal.
5. If an air conditioning evaporator coil is required, position it on the supply air side of the furnace. Ensure that no air can bypass the evaporator coil. **NOTE:** Furnace must **NOT** be installed downstream of coil.
6. Connect the supply air plenum to the supply air outlet.

**FLEXIBLE DUCT CONNECTORS** are an effective device to prevent the telegraphing of mechanical noise from the furnace to other parts of the home via the ductwork. If using flexible connectors, ensure that the adjoining duct is independently supported.

**NOTE:** If the airflow requirements exceed 1800 cfm, models will require air openings and filters on:

- both sides, OR
- one side and the bottom, OR
- just the bottom

H10.2

## 7.0 VENTING AND COMBUSTION PIPING

### ⚠ WARNING ⚠

**READ, UNDERSTAND AND FOLLOW ALL INSTRUCTIONS IN THIS SECTION. FAILURE TO PROPERLY VENT OR SUPPLY COMBUSTION AIR TO THIS FURNACE CAN CAUSE CARBON MONOXIDE POISONING, OR AN EXPLOSION OR FIRE, RESULTING IN PROPERTY DAMAGE, PERSONAL INJURY OR LOSS OF LIFE.**

H3.10

NO 'B' VENT APPLICATIONS ALLOWED.

### 7.1 ACCEPTABLE MATERIALS IN CANADA

Effective August 1, 2007, all vent piping materials and fittings for flue gas venting must be ULC S636 listed and identified as such on the material. The first 3ft. (900mm) of venting must be readily available for visual inspection. Specified primers and glues of the certified vent system must be from a single system manufacture, and not intermixed with other system manufacture's vent system parts. The components of the certified vent system must not be interchanged with other vent systems, or unlisted pipe, and or fittings. Follow the venting manufacturers instructions on installation, cutting, de-burring, cementing, curing and supporting of the venting system.

Furnace must be vented with ULC S636 certified PVC manufactured by IPEX, and Royal Building Products (GVS-65 & GVS90), or ULC S636 certified PPE manufactured by M&G Duravent.

PVC vent terminations may use concentric kits listed in section 10.3 - or terminate using 45 and 90 degree elbows, or a tee.

PPE venting must terminate using 45 and 90 degree elbows.

Minimum rating of 149 degrees F (65°C).

H11.2

### 7.2 ACCEPTABLE MATERIALS IN UNITED STATES

Furnace venting may be comprised of:

- Schedule 40 PVC, ASTM D1785 or CSA B137.3
- PVC-DWV, ASTM D2665 or CSA B181.2
- Schedule 40 CPVC, ASTM F441 or CSA B137.6
- PVC PRIMER AND SOLVENT CEMENT: ASTM D2564
- PPE ULC S636 Manufactured by M&G Duravent - must terminate using 45 and 90 degree elbows, or a tee.

Follow piping manufacturers instructions on proper installation of piping and fittings including cutting, deburring, priming, cementing, curing and supporting.

H11.2B

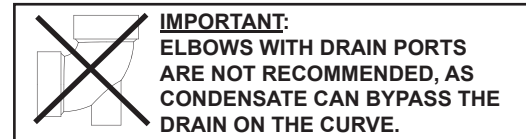
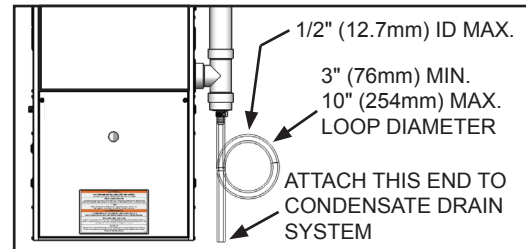
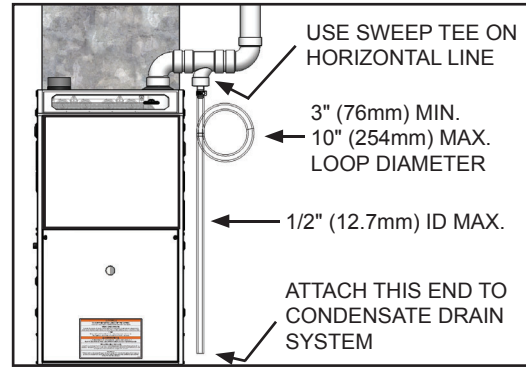
### 7.3 VENT DRAIN OPTION

A vent drain is recommended when vent passes through any unconditioned space such as an attic or crawl space in order to prevent the accumulation of excess condensate in the inducer housing during operational cycles, refer to images for Vent Drain Option.

To install the vent drain, complete the following steps:

**IMPORTANT:** Tee, reducer and nipple must be properly cemented together using the appropriate method and materials specified in section 7.0 Venting and Combustion Piping; 7.1 Acceptable Materials in Canada and 7.2 Acceptable Materials in United States.

1. Place a tee of the proper diameter for the vent system being installed 2" (51mm) or 3" (76mm) in the horizontal run or vertical riser closest to the furnace.
2. Place a reducer bushing of proper diameter in the stem portion of the tee. The recommended size for the reducer is 5/8" (15.9mm).
3. Place a piece of 5/8" (15.9mm) diameter pipe that has a minimum length of 3" (76mm) long into the reducer to serve as a nipple.
4. Connect a piece of flexible drain tubing such as EPDM rubber or PVC to the nipple.
5. Loop the drain tubing to provide a trap.
6. Connect the discharge end of the drain tube to the condensate disposal system externally to the furnace.



**NOTE:** Any increase of venting diameter must be done on the vertical sections NOT horizontal sections.

H11.3A

## 8.0 NON-DIRECT VENT FURNACE INSTALLATIONS USING INDOOR COMBUSTION AIR (ONE PIPE SYSTEM)

The furnace, although designed as a direct vent type appliance, may be installed with the intake vent inside the structure.

### ⚠ WARNING ⚠

**THIS FURNACE AND ANY OTHER FUEL BURNING APPLIANCE MUST BE PROVIDED WITH ENOUGH FRESH AIR FOR PROPER COMBUSTION AND VENTILATION OF THE FLUE GASES. MOST HOMES WILL REQUIRE THAT OUTSIDE AIR BE BROUGHT TO THE FURNACE AREA. FAILURE TO DO SO CAN CAUSE PERSONAL INJURY, OR DEATH FROM CARBON MONOXIDE POISONING.**

H3.11

Adequate provisions for combustion and ventilation air must be in accordance with CAN/CGA-B149 in Canada, and ANSI Z223.1 - 2018, section "Air for Combustion and Ventilation," in the United States. Check with local authorities for any additional building codes bylaws or regulations.

### ⚠ CAUTION ⚠

**AIR FOR COMBUSTION AND VENTILATION PURPOSES MUST NOT ORIGINATE FROM A CORROSIVE ATMOSPHERE. ANY FURNACE FAILURE CAUSED BY CORROSIVE ELEMENTS IS EXCLUDED FROM WARRANTY COVERAGE.**

The following types of installation sites (but not limited to the following) will REQUIRE OUTDOOR AIR for combustion because of chemical exposures:

- Commercial buildings
- Buildings with indoor swimming pools
- Furnaces installed in laundry rooms
- Furnaces in hobby or craft rooms
- Furnaces installed near chemical storage areas

Combustion air must be free of acid forming chemicals such as sulphur, fluorine and chlorine. These elements are found in aerosol sprays, detergents, bleaches, cleaning solvents, air fresheners, paint and varnish removers, refrigerants, and many other commercial and household products. When burned in a gas flame, vapors from these products form acid compounds. Acid compounds increase the dew point temperature of the flue products and are highly corrosive after they condense.

H13.0A

## 8.1 DETERMINING COMBUSTION AIR

### 8.1.1 CASE 1: FURNACE LOCATED IN A UNCONFINED SPACE

Unconfined space does not necessarily mean that ventilation will not have to be introduced from the outdoors, particularly in airtight homes. The minimum requirement for unconfined space is a volume of 50 cubic feet (1.42 m<sup>3</sup>) for each 1000 Btu/hr for all fuel burning appliances located within the unconfined area.

If the amount of combustion and ventilation air is insufficient to properly operate the furnace and other fuel burning appliances within the unconfined area, it will be necessary to supply it from the outdoors based on the criteria used when calculating the air supply for a confined space.

#### NOTE

If planning to use the inside air in an unconfined space, remember to test for proper furnace operation (as well as other fuel burning appliances located within the unconfined space) with respect to adequate combustion and ventilation air with fireplace dampers open, clothes dryer running, bathroom exhaust fans on, kitchen range hood on, etc.

H13.1

### 8.1.2 CASE 2: FURNACE LOCATED IN A CONFINED SPACE

A confined space, (any space smaller than the minimums discussed in Case 1), must have two air openings; one within 12" (305mm) of the ceiling and the other within 12" (305mm) of the floor. The air openings must be sized considering the method outside air is introduced, whether the combustion and ventilation air is being taken from indoors or outdoors and taking into account any other fuel burning appliances in the confined space.

If sufficient indoor combustion and ventilation air is available for the furnace and all other fuel burning appliances, size each opening on the basis of one square inch (645mm<sup>2</sup>) of free area per 1000 Btu/hr. (Figure 4)

#### NOTE

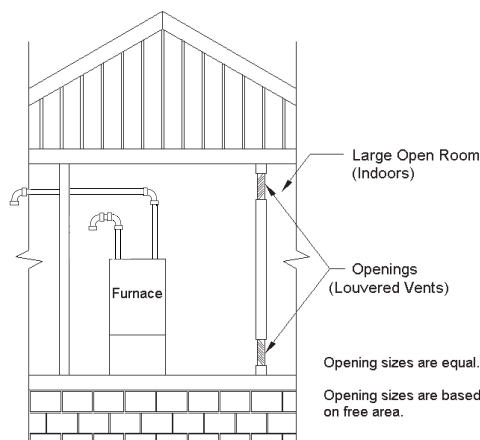
Be sure to consider all clothes dryers, bathroom fans, range hoods, etc., when making this calculation.

The minimum requirement for these openings is 100 square inches (645mm<sup>2</sup>), even for the furnace models under 100,000 Btu/hr.

#### NOTE

If using grills to cover the two openings, factor in the free area of the grill. Typically, a sidewall grill will have a free area approximately 50% of its nominal size. Consequently, if the required opening is 10" x 10" (254mm x 254mm), it will have to be doubled if using a sidewall grill with 50% free area.

FIGURE 4 - COMBUSTION/DILUTION AIR FROM HEATED INSIDE SOURCES (CASE 2)



#### IMPORTANT:

IF AN EXHAUST FAN, FIREPLACE, CLOTHES DRYER OR ANY SIMILAR DEVICE IS PRESENT IN THE INDOOR AREA FROM WHICH THE COMBUSTION AND VENTILATION AIR WILL BE DRAWN, NEGATIVE PRESSURE COULD BE A PROBLEM IF NATURAL INFILTRATION FROM THE OUTDOORS DOES NOT MATCH THE RATE AT WHICH AIR IS EXHAUSTED.

H13.2D

### 8.1.3 CASE 3: FURNACE LOCATED IN A CONFINED SPACE, OUTDOOR AIR FROM ATTIC OR CRAWL SPACE

In this circumstance, the free area of each of the two combustion and ventilation air openings is based on a minimum of 1 square inch (645mm<sup>2</sup>) per 4000 Btu/hr. In this configuration, one opening can originate from the floor drawing combustion and ventilation air from the ventilated crawl space.

The other opening may communicate freely with the ventilated attic. If using the attic air, ensure that the opening is ducted from the ceiling high enough to be above the insulation. The attic must be adequately vented with soffit vents or gable vents (*Figure 5*).

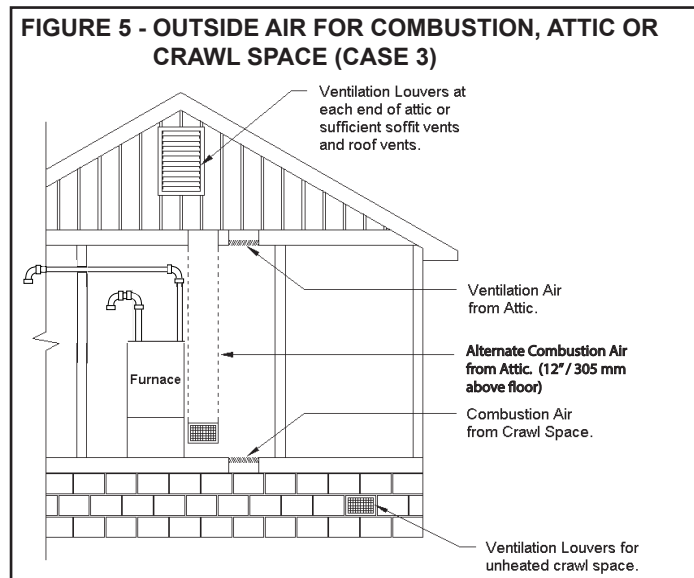
As an alternative to creating an opening in the floor to draw air from a crawl space, a duct may be dropped from the attic terminating 12" (305mm) above the floor.

The following table shows minimum free areas and round pipe sizes when drawing combustion air vertically from the attic or crawl space for the furnace only. If other fuel burning appliances are present, their combustion air and ventilation air requirements must be added to those of the furnace.

TABLE 2 - VERTICAL AIR SUPPLY (CASE 3)

Input K/Btu/hr	Free Area Ea. Opening	Round Pipe Size
40	15 in. <sup>2</sup> (97cm <sup>2</sup> )	5 in. (127mm)
60		
80	20 in. <sup>2</sup> (129cm <sup>2</sup> )	6 in. (152mm)
100	25 in. <sup>2</sup> (161cm <sup>2</sup> )	
120	30 in. <sup>2</sup> (194cm <sup>2</sup> )	7 in. (178mm)

H12.16.7A



**IMPORTANT:**  
 IF THE ATTIC HAS AN EXHAUST FAN (POWER VENT), IT MAY CREATE A NEGATIVE PRESSURE SUFFICIENTLY LARGE ENOUGH TO PREVENT THE ATTIC FROM BEING AN EFFECTIVE SOURCE OF COMBUSTION AND VENTILATION AIR. POWERED ATTIC FANS DO NOT CUSTOMARILY RUN DURING THE HEATING SEASON; HOWEVER, SOME ARE CONTROLLED BY A HUMIDISTAT AS WELL AS A THERMOSTAT, WHICH MAY ALLOW SOME OPERATION DURING THE HEATING SEASON. THE CHOICES ARE (A) USE THE DIRECT VENT OPTION; (B) OBTAIN OUTDOOR AIR FROM ELSEWHERE; OR (C) INTERLOCK THE ATTIC EXHAUST FAN WITH THE FURNACE SUCH THAT THE TWO CANNOT OPERATE SIMULTANEOUSLY.

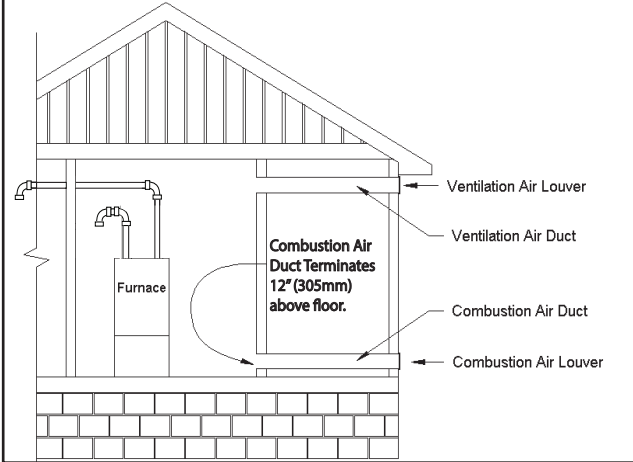
H13.3C

### 8.1.4 CASE 4: FURNACE LOCATED IN A CONFINED SPACE, OUTDOOR AIR DUCTED HORIZONTALLY

Similar to Case 3, outdoor air for combustion and ventilation may be drawn through horizontal ducting. The free area for each opening is calculated on the basis of a minimum of 1 square inch (645mm<sup>2</sup>) per 2000 Btu/hr input.

The following table shows minimum free areas and round pipe sizes when drawing combustion air horizontally from the outdoors for the furnace only. If other fuel burning appliances are present, their combustion air and ventilation air requirements must be added to those of the furnace.

**FIGURE 6 - OUTDOOR AIR FOR COMBUSTION, HORIZONTAL (CASE 4)**



**TABLE 3 - HORIZONTAL AIR SUPPLY (CASE 4)**

Input K/Btu/hr	Free Area Ea. Opening	Round Pipe Size
40	30 in <sup>2</sup> (194cm <sup>2</sup> )	7 in (178mm)
60		
80	40 in <sup>2</sup> (258cm <sup>2</sup> )	8 in (203mm)
100	50 in <sup>2</sup> (323cm <sup>2</sup> )	
120	60 in <sup>2</sup> (387cm <sup>2</sup> )	9 in (229mm)

H12.9.7A

**IMPORTANT:**

THE OUTDOOR GRILLS MUST BE INSTALLED IN A LOCATION WHERE THEY WILL NOT BE OBSTRUCTED IN ANY MANNER.

**IMPORTANT:**

IF GRILLS ARE USED ON THE OUTSIDE WALL, THEY MUST BE SIZED PROPERLY. MOST SIDEWALL GRILLS HAVE ONLY 50% FREE AREA. IN THE CASE OF A UNIT WITH 100,000 BTU/HR INPUT, WHICH REQUIRES A PAIR OF 8" (203mm) ROUND PIPES TO OBTAIN SUFFICIENT COMBUSTION AND VENTILATION AIR, THE DUCT COULD BE AN EQUIVALENT RECTANGULAR DUCT; 8" X 7" (203mm X 178mm) FOR EXAMPLE. BASED ON 50% FREE AREA FOR THE INLET GRILLS, THE ACTUAL GRILL SIZE WOULD HAVE TO BE 14" X 8" (356mm X 203mm) OR ITS EQUIVALENT. A TRANSITION MAY BE USED TO REDUCE TO THE SMALLER DUCT SIZE IF NECESSARY.

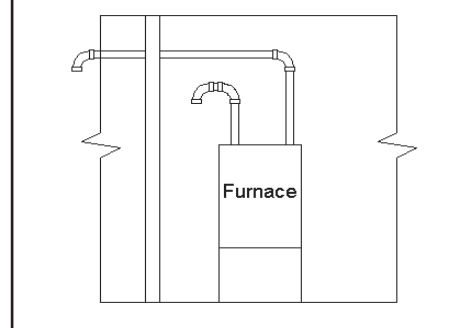
H13.4C

**8.1.5 CONNECTION TO FURNACE NON-DIRECT VENT**

**IMPORTANT:**

WHEN USING INDOOR AIR OR THE NON-DIRECT VENT CONFIGURATION, THE COMBUSTION AIR INLET TO THE FURNACE MUST BE PROTECTED FROM BLOCKAGE. USE A DOUBLE ELBOW ARRANGEMENT IF SUPPLYING COMBUSTION AIR THROUGH THE TOP, OR A DOWNWARD POINTING SINGLE ELBOW IF SUPPLYING COMBUSTION AIR THROUGH THE SIDE. (FIGURE 7)

**FIGURE 7 - NON-DIRECT COMBUSTION AIR INLET**



H13.5C

## 9.0 VENTING GUIDELINES

### ⚠ CAUTION ⚠

FAILURE TO FOLLOW ALL VENTING GUIDELINES MAY RESULT IN ERRATIC FURNACE OPERATION, FREEZE-UP OF THE EXHAUST AIR PIPING, OR SOOTING OF THE FURNACE.

### ⚠ WARNING ⚠

READ AND FOLLOW ALL INSTRUCTIONS IN THIS SECTION. FAILURE TO PROPERLY VENT THIS FURNACE CAN CAUSE CARBON MONOXIDE POISONING OR AN EXPLOSION OR FIRE RESULTING IN PROPERTY DAMAGE, PERSONAL INJURY OR LOSS OF LIFE.

H3.12

#### NOTE

- For 80KBTU small cabinet and 120KBTU large cabinet furnaces it is recommended to install the air intake on the side of the furnace for ideal supply of combustion air.
- Combustion air intake and exhaust termination should be inspected periodically to ensure they are clear of obstructions. i.e. vegetation, debris, snow, etc.
- Accumulation of snow around the combustion air intake and exhaust termination may have negative effects on appliance operation and/or performance. Snow accumulation should be considered when locating combustion air intake and exhaust terminations.**

#### IMPORTANT:

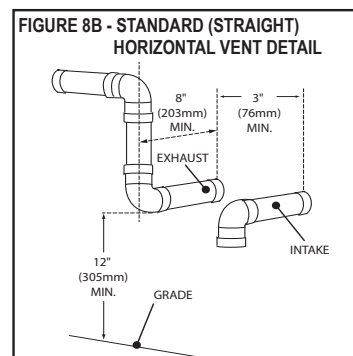
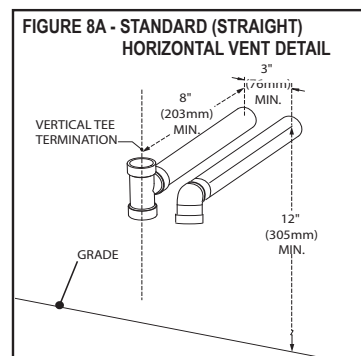
- CLEAN AND DE-BURR ALL PIPE CUTS (INCLUDING UNCUT VENT LENGTHS). THE SHAVINGS MUST NOT BE ALLOWED TO BLOCK THE EXHAUST, COMBUSTION AIR INLET OR CONDENSATE DRAIN LINES.
- IF THE PIPE AND FITTINGS ARE TO BE OTHER THAN PVC, USE THE PROPER CLEANER, PRIMER AND CEMENT FOR THE DISSIMILAR MATERIALS.
- THE EXHAUST VENT MUST BE SUPPORTED APPROPRIATELY PRIOR TO IT BEING FITTED TO THE EXHAUSTER. **UNDER NO CIRCUMSTANCES SHALL THE EXHAUSTER BEAR ANY WEIGHT OF THE VENTING SYSTEM.**

- Venting may be vertical or horizontal.
- Minimum vent length - 15 total equivalent feet (4.6m). (See *Venting Table*)
- Horizontal piping must slope back towards the furnace at a minimum rate of 1/4" to the foot (18mm per meter), so that condensate drains towards the furnace.
- Horizontal runs must be supported at least every 5 feet (1.524m). Horizontal sections must not dip or sag.
- All vent runs through unconditioned space where freezing might occur should be insulated with "arm-a-flex", "rub-a-tex" or equivalent as long as there is no heat tape applied to the vent pipe. For horizontal runs where water may collect, wrap the vent pipe with self regulating 3 or 5 watt heat tape. The heat tape must be CSA, UL, or ULC listed and installed per the manufacturer's instructions. **This includes travel through unconditioned attic space.**
- DO NOT COMMON VENT WITH ANY OTHER APPLIANCE.
- If venting vertically, do not vent up a chimney serving another appliance or install in a chase with a metal or high temperature plastic pipe from another gas or fuel burning appliance unless the required clearances to combustibles can be maintained between the furnace venting system and other pipes.

It is recommended that an offset is created (2 x 45°s) in the vertical exhaust vent piping to reduce the risk of flooding the exhauster with excessive vent condensate run down.

All exhaust piping must be installed in accordance with CAN/CGA-B149.in Canada; the latest edition of National Fuel Gas Code, NFPA 54 / ANSI Z223.1 in the United States, as well as in accordance with local codes.

Size the combustion air and exhaust piping in accordance with Table 4. When calculating allowable vent lengths, be sure to count all termination fittings in addition to counting the concentric vent as a straight pipe.



The periscope vent (Figure 9), must be used in extreme cold climates defined as; -22°F (-30°C) sustained for 48 hours or more.

Take the building orientation and the presence of other buildings or other nearby structures into consideration when planning the venting system location. Certain external structures could create air turbulence around the vent termination leading to downdrafts and similar venting problems. In windy and hill locations, roof venting may improve operations. Maximum venting length is based on 30 mph (48 km) winds, areas where higher gusts are dominant it is suggested to shorten the horizontal vent length.

When installing the furnace with direct venting, the vent and combustion air intake shall be installed so that both are located in the same wind pressure zone.

**⚠ WARNING ⚠**

**DO NOT CONNECT FURNACE TO A CHIMNEY OR FLUE SERVING OTHER APPLIANCES OR A SOLID FUEL BURNING APPLIANCE.**

H3.13

H14.0C

### 9.1 VENT TERMINATION

Horizontal vents should pass through the exterior wall. Figure 8 shows a standard horizontal vent detail. Terminate the vent 8" (203mm) or more from the wall.

Exterior vent pipe greater than 24" (610mm) should be insulated with 1/2" (13mm) insulation to prevent moisture from freezing within the pipe and accumulating.

Size the exhaust pipe as specified in *Table 4 - Direct and Non-Direct Vent Lengths*. This table lists the maximum allowable length of pipe with respect to the number of 90° elbows used. For the purposes of this calculation, one 90° elbow is equivalent to two 45° elbows.

Avoid locating the terminal in locations where dripping condensate may cause problems such as sidewalks, patios, above planters, near windows where exhaust gases may cause fogging, etc. Avoid locating the termination too close to shrubs and other vegetation. The condensate may stunt or kill them.

#### EQUIVALENTS

- Short Radius Elbow = 7 ft (2.13m)
- Standard Radius Elbow = 5 ft (1.52m)
- Long Radius Elbow = 3 ft (0.91m)
- 45 Degree Elbow = 2.5 ft (0.76m)
- Tee

Vent lengths that require more than 6-90° elbows, add listed equivalents for every elbow up to the maximum allowable vent length.

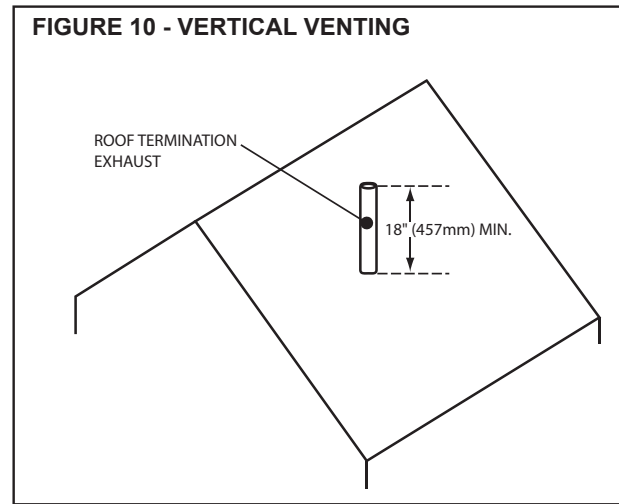
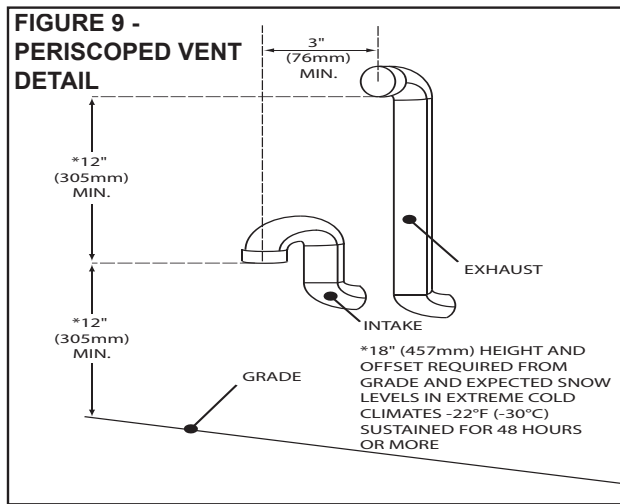
**TABLE 4 - DIRECT AND NON-DIRECT VENT LENGTHS**  
Maximum Allowable Length Of Exhaust Or Intake. Minimum Vent Length 15 ft. (4.6 m) or equivalent.

INPUT K/Btu/hr	PIPE SIZE	NUMBER OF 90° ELBOWS							NOTES
		0	1	2	3	4	5	6	
40**	1½	60*	55	50	45	40	35	30	1. Count concentric vent fitting as straight pipe. 2. Use medium or long sweep elbows where possible. 3. One 90° elbow is equivalent to two 45° elbows. 4. For direct vent, the listed lengths are allowed for each vent (intake and exhaust). 5. For non-direct vent, the listed lengths are allowed for exhaust. The intake should have a 1½" or 2" snorkel intake fitting. (Figure 7)
	2,2½	75*	70	65	60	55	50	45	
60	1½	60*	55	50	45	40	35	30	
	2,2½	75*	70	65	60	55	50	45	
	3	100*	95	90	85	80	75	70	
80	2,2½	50*	45	40	35	30	25	20	
	3	100*	95	90	85	80	75	70	
100	2,2½	50*	45	40	35	30	25	20	
	3	100*	95	90	85	80	75	70	
120	3	100*	95	90	85	80	75	70	

**NOTE** When 1½", 2½" or 3" pipe is used, exit the cabinet with 2" pipe. Reduce or increase immediately after exiting the cabinet on both intake and exhaust.

\* **Maximum allowable vent (intake and exhaust) length.**

\*\* **40 K units must be vented with 1½" venting if total run length is to be less than 25 ft. (7.6m).**



## ⚠ CAUTION ⚠

MOISTURE IN THE FLUE GASES CONDENSES AS IT LEAVES THE TERMINAL. THIS MOISTURE CAN FREEZE ON EXTERIOR WALLS, ON SOFFITS, AND OTHER NEARBY OBJECTS. SOME DISCOLORATION IS TO BE EXPECTED; HOWEVER, IMPROPER LOCATION OR INSTALLATION CAN CAUSE STRUCTURAL OR EXTERIOR FINISH DAMAGE TO THE BUILDING.

Caulk all cracks, seams or joints within a 6 foot (1.8m) radius of the termination.

Do not terminate under a deck unless there is adequate clearance to prevent damage from the flue gases. A termination may be located at the end of a patio deck. Piping running beneath the deck must be suitably insulated and suspended in a manner to prevent condensate from collecting and freezing.

When locating vent terminations, consideration must be given to prevailing winds, location and other conditions. These conditions may cause recirculation of the combustion products of adjacent vents. Do not locate the terminal on the side of the building facing the prevailing winter winds.

H14.1D

## 9.2 IN CANADA

In addition to the general guidelines, in Canada, the vent exhaust shall not terminate:

- Directly above a paved sidewalk or paved driveway which is located between two single-family dwellings and serves both dwellings;
- Less than 7 feet (2.1m) above a paved sidewalk or paved driveway located on public property;
- Within 6 feet (1.8m) of a mechanical air supply inlet to any building;
- Above a meter/regulator assembly within 3 feet (.91m) horizontally of the center line of the regulator;
- Within 3 feet (.91m) of any service regulator vent outlet;
- Less than 12" (305mm) above grade level or anticipated snow level;
- Within 12" (305mm) of any door, window, or non-mechanical air supply inlet to any building;
- Within 12" (305mm) of the combustion air inlet of any other appliance;
- Underneath a veranda, porch or deck, unless (a) the veranda, porch or deck is fully open on a minimum of two sides beneath the floor, and (b) the distance between the top of the vent termination and the underside of the veranda, porch or deck is greater than 12" (305mm).

H14.2A

## 9.3 IN UNITED STATES

In addition to the general guidelines, in the United States, the vent exhaust shall be installed in accordance with the following:

- The clearance from the bottom of the terminal to grade shall be 12" (305mm).
- The vent shall not terminate over public walkways or over an area where condensate or vapor could create a nuisance or hazard.
- The vent terminal shall be installed 4 feet (1.2m) below, 4 feet (1.2m) horizontally from, or 1 foot (305mm) above any door, window, soffit, under eave vent or gravity air inlet to the building.
- The vent terminal shall have a minimum horizontal clearance of 4 feet (1.2m) from electric meters, gas meters, regulators and relief equipment.

- Locate the vent terminal 3 feet (0.91m) above any mechanical air inlet located within 10 feet (3m). Any fresh air or make-up air inlet, such as for a dryer or furnace area is considered a forced air inlet.

The vent terminal should be located no fewer than 3 feet (0.91m) from an inside corner formed by two exterior walls. Recommended clearance from overhangs is a minimum of 1 foot (0.3m) vertically for each foot horizontally up to 6 feet (1.8m).

H14.3A

## 9.4 FURNACE VENTING INSTALLATIONS

### ⚠ WARNING ⚠

**READ AND FOLLOW ALL INSTRUCTIONS IN THIS SECTION. FAILURE TO PROPERLY VENT THIS FURNACE CAN CAUSE CARBON MONOXIDE POISONING OR AN EXPLOSION OR FIRE RESULTING IN PROPERTY DAMAGE, PERSONAL INJURY OR LOSS OF LIFE.**

H3.14

### 9.4.1 NON-DIRECT VENT INSTALLATION USING INDOOR COMBUSTION AIR (ONE PIPE SYSTEM)

Non-direct vent installations require only a vent pipe. This may be desirable when using outdoor combustion air is not practical.

- Provisions are not made for routing of combustion air;
- The outdoor environment may contain contaminants undesirable for combustion.
- **Install and secure a 8" (20 cm) piece of intake air pipe with a 90° elbow to prevent objects from entering burner area, and or objects from blocking combustion air intake.**

H14.4A

### 9.4.2 DIRECT VENT INSTALLATION USING OUTDOOR COMBUSTION AIR (TWO PIPE SYSTEM)

The direct vent configuration is the preferred installation method. The primary advantages are:

- No special kit or modifications are required for direct vent installations
- Dedicated combustion air and vent piping eliminates the need to use already heated air for combustion purposes;
- The probability of corrosive contaminants being present in the combustion air is greatly reduced;
- The direct vent configuration is unaffected by any other appliances, exhaust fans, or other devices that tend to create negative pressure conditions while operating.
- No vents for combustion and ventilation air are required in confined spaces.

H14.5

### 9.4.3 COMBUSTION AIR

This furnace is certified as a Category IV Type FSP Non-Direct and Direct Vent Furnace. When installed as a direct vent furnace, all combustion air is supplied from the outdoors via the plastic piping system. All components are field supplied, except for the 2" PVC connector used to connect the combustion air piping to the furnace.

The combustion air piping, like the exhaust piping, must be air tight throughout the system. The adapter joining the combustion air to the furnace is supplied with one gasket.

#### **IMPORTANT:**

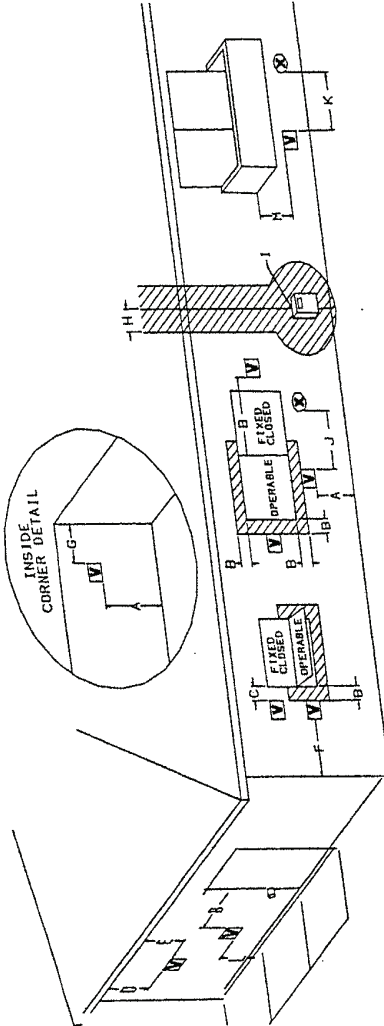
- IF PLANNING TO USE ABS PIPE FOR AIR INTAKE, USE AN ALL-PURPOSE CLEANER AND ABS TO PVC TRANSITION CEMENT. IF PLANNING TO USE CPVC PIPE, USE AN ALL-PURPOSE CLEANER, A CLEAR OR PURPLE PRIMER AND ALL-PURPOSE CEMENT APPROVED FOR THE PURPOSE.
- ADDITIONAL INFORMATION ABOUT CLEANERS, PRIMERS, SOLVENTS AND CEMENTS MAY BE OBTAINED FROM THEIR MANUFACTURERS.
- IF THE FURNACE IS TO BE INSTALLED IN THE VICINITY OF OTHER FUEL BURNING APPLIANCES, ADEQUATE COMBUSTION AIR MUST BE AVAILABLE FOR THE NON-DIRECT VENT APPLIANCES. SEE SECTION 8.1, "DETERMINING COMBUSTION AIR".

H14.6A





FIGURE 14A - DIRECT VENT TERMINAL CLEARANCES



**V** VENT TERMINAL

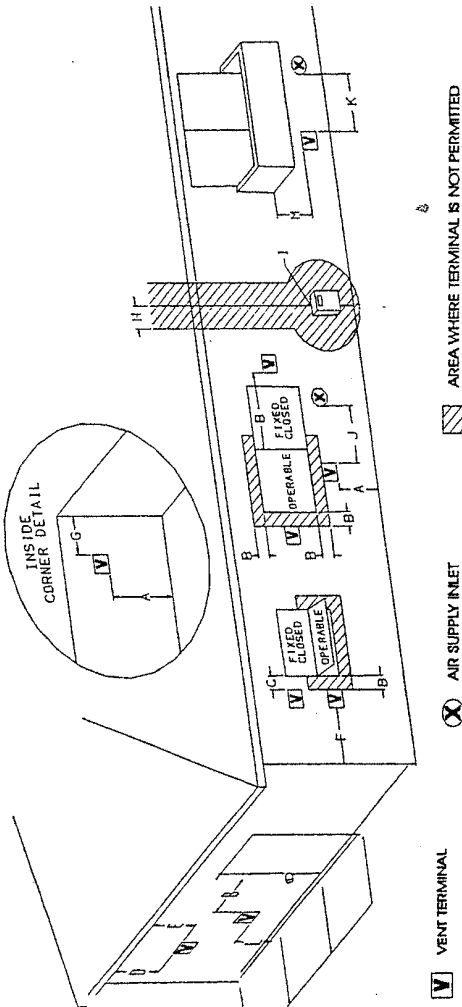
**X** AIR SUPPLY INLET

**▨** AREA WHERE TERMINAL IS NOT PERMITTED

	Canadian Installations <sup>1</sup>	US Installations <sup>2</sup>	Canadian Installations	US Installations <sup>2</sup>
A=	Clearance above grade, veranda, porch, deck, or balcony	12 inches (30 cm)	6 inches (15 cm) for appliances ≤ 10,000 Btu/h (3 kW), 12 inches (30 cm) for appliances > 10,000 Btu/h (3 kW) and ≤ 50,000 Btu/h (15 kW), 36 inches (91 cm) for appliances > 50,000 Btu/h (15 kW)	6 inches (15 cm) for appliances ≤ 10,000 Btu/h (3 kW), 9 inches (23 cm) for appliances > 10,000 Btu/h (3 kW) and ≤ 50,000 Btu/h (15 kW), 12 inches (30 cm) for appliances > 50,000 Btu/h (15 kW)
B=	Clearance to window or door that may be opened	6 inches (15 cm) for appliances ≤ 10,000 Btu/h (3 kW), 12 inches (30 cm) for appliances > 10,000 Btu/h (3 kW) and ≤ 50,000 Btu/h (15 kW), 36 inches (91 cm) for appliances > 50,000 Btu/h (15 kW)	6 inches (15 cm) for appliances ≤ 10,000 Btu/h (3 kW), 12 inches (30 cm) for appliances > 10,000 Btu/h (3 kW) and ≤ 50,000 Btu/h (15 kW), 36 inches (91 cm) for appliances > 50,000 Btu/h (15 kW)	6 inches (15 cm) for appliances ≤ 10,000 Btu/h (3 kW), 9 inches (23 cm) for appliances > 10,000 Btu/h (3 kW) and ≤ 50,000 Btu/h (15 kW), 12 inches (30 cm) for appliances > 50,000 Btu/h (15 kW)
C=	Clearance to permanently closed window			
D=	Vertical clearance to ventilated soffit located above the terminal within a horizontal distance of 2 feet (61 cm) from the center line of the terminal			
E=	Clearance to unventilated soffit			
F=	Clearance to outside corner			
G=	Clearance to inside corner			
H=	Clearance to each side of center line extended above meter/regulator assembly	3 feet (91 cm) within a height 15 feet (4.5 m) above the meter/regulator assembly		
I=	Clearance to service regulator vent outlet	3 feet (91 cm)		
J=			Clearance to nonmechanical air supply inlet to building or the combustion air inlet to any other appliance	6 inches (15 cm) for appliances ≤ 10,000 Btu/h (3 kW), 9 inches (23 cm) for appliances > 10,000 Btu/h (3 kW) and ≤ 50,000 Btu/h (15 kW), 12 inches (30 cm) for appliances > 50,000 Btu/h (15 kW)
K=			Clearance to a mechanical air supply inlet	3 feet (91 cm) above if within 10 feet (3 m) horizontally
L=			Clearance above paved sidewalk or paved driveway located on public property	7 feet (2.13 m) †
M=			Clearance under veranda, porch, deck, or balcony	12 inches (30 cm) ‡

<sup>1</sup> In accordance with the current CSA B149.1, Natural Gas and Propane Installation Code  
<sup>2</sup> In accordance with the current ANSI Z223.1/NFPA 54, National Fuel Gas Code  
<sup>†</sup> A vent shall not terminate directly above a sidewalk or paved driveway that is located between two single family dwellings and serves both dwellings.  
<sup>‡</sup> Permitted only if veranda, porch, deck, or balcony is fully open on a minimum of two sides beneath the floor.  
 \* For clearances not specified in ANSI Z223.1/NFPA 54 or CSA B149.1, the following statement shall be included: "Clearance in accordance with local installation codes and the requirements of the gas supplier and the manufacturer's installation instructions."

FIGURE 14B - NON-DIRECT VENT TERMINAL CLEARANCES



	Canadian Installations <sup>1</sup>	US Installations <sup>2</sup>	Canadian Installations	US Installations <sup>2</sup>
A=	Clearance above grade, veranda, porch, deck, or balcony	12 inches (30 cm)	Clearance to nonmechanical air supply inlet to building or the combustion air inlet to any other appliance	6 inches (15 cm) for appliances ≤ 10,000 Btuh (3 kW), 12 inches (30 cm) for appliances > 10,000 Btuh (3 kW) and ≤ 100,000 Btuh (30 kW), 16 inches (91 cm) for appliances > 100,000 Btuh (30 kW)
B=	Clearance to window or door that may be opened	12 inches (30 cm)	Clearance to a mechanical air supply inlet	6 feet (1.83 m)
C=	Clearance to permanently closed window	4 feet (1.2 m) below or to side of opening; 1 foot (30 cm) above opening	Clearance above paved sidewalk or paved driveway located on public property	3 feet (91 cm) above if within 10 feet (3 m) horizontally
D=	Vertical clearance to ventilated soffit located above the terminal within a horizontal distance of 2 feet (61 cm) from the center line of the terminal	4 feet (1.2 m) below or to side of opening; 1 foot (30 cm) above opening	Clearance under veranda, porch, deck, or balcony	7 feet (2.13 m) †
E=	Clearance to unventilated soffit	•	Clearance to veranda, porch, deck, or balcony	12 inches (30 cm) †
F=	Clearance to outside corner	•	Clearance to veranda, porch, deck, or balcony	•
G=	Clearance to inside corner	•	Clearance to veranda, porch, deck, or balcony	•
H=	Clearance to each side of center line extended above meter/regulator assembly	3 feet (91 cm) within a height 1.5 feet (45 cm) above the meter/regulator assembly	Clearance to veranda, porch, deck, or balcony	•
I=	Clearance to service regulator vent outlet	3 feet (91 cm)	Clearance to veranda, porch, deck, or balcony	•

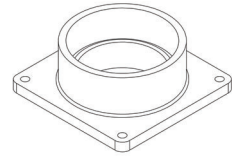
1 In accordance with the current CSA B149.1, Natural Gas and Propane Installation Code  
 2 In accordance with the current ANSI Z223.1/NFPA 54, National Fuel Gas Code  
 † A vent shall not terminate directly above a sidewalk or paved driveway that is located between two single family dwellings and serves both dwellings.  
 • Permitted only if veranda, porch, deck, or balcony is fully open on a minimum of two sides beneath the floor.  
 ‡ For clearances not specified in ANSI Z223.1/NFPA 54 or CSA B149.1, the following statement shall be included: "Clearance in accordance with local installation codes and the requirements of the gas supplier and the manufacturer's installation instructions."

## 11.0 ROUTING OPTIONS

Figures 16 to 20 on the following pages show the four acceptable installation positions with correct exhauster orientation, condensate drainage, and pressure switch locations. The installer must also consider the following services: gas pipe, electrical power, drain trap, intake and exhaust vents. Also consider the air conditioning connections and drain, access to filter(s) and access to furnace and a/c for repair. Drains and traps of furnaces installed in spaces subjected to freezing temperature must also be protected against freezing.

The combustion air inlet fitting is a 2" PVC Socket to Flange adapter. Choose the intake location and remove the appropriate plastic cap. Install the adapter to the exterior panel using the gasket (on the outside of the panel and the 4 screws on the outside of the panel).

**Failure to apply gasket on cabinet exterior voids the warranty.**



H16.0.3A

### 11.1 CONDENSATE DRAINS

The furnace may condense as much as 4-1/2 pounds of water per hour (approximately 2 imperial quarts, 2-1/2 U.S. quarts or 2-1/4 liters). It is necessary to make provisions for draining the condensate away. The furnace is supplied with a drain trap assembly. See Figure 16 for possible locations of the drain trap.

Affix the condensate trap assembly to the interior of the side panel in the blower compartment.

Three plastic drain hose clamps are provided in the parts bag. The large ones are used for securing the drain hose to the front manifold cover drain outlet, and securing the drain hose to the 5/8" barbed fitting on the condensate trap assembly. The small one is used to secure the drain hose to the exhauster drain collar and the 1/2" barbed fitting on the condensate trap assembly.

The drain coupling on the exhauster will work better if the drain holes are pointed down about 15 degrees. The drain hose supplied with the furnace is long enough to reach either side panel; however, it must be cut to fit each application. This is to prevent kinking in the drain lines.

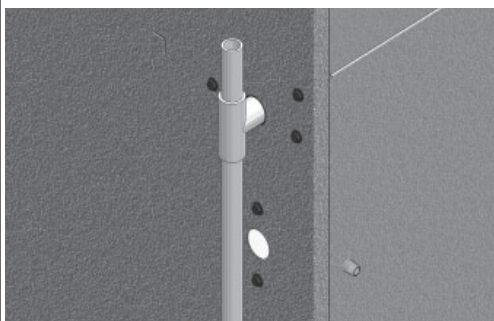
**NOTE:** It is recommended that pliers be used to firmly clamp the plastic hose clamps.

H16.2.4A

### 11.2 PREPARATIONS FOR VENT AND DRAINING OPTION

1. Determine the most suitable vent and drain options for installation, see "EXHAUSTER ROTATION INSTRUCTIONS & PRESSURE SWITCH MOUNTING" section.
2. Remove the 3-1/2" plastic exhaust vent cap (if required), and cover vent hole not in use. Install rubber grommet (in parts bag) for 2" vent pipe. Connect vent pipe (field supplied). If using 1-1/2" or 3" vent, make transition as close as possible to the unit and on a vertical section.
3. Connect 2" air intake pipe (field supplied). **The exhaust vent must be supported appropriately prior to it being fitted to the exhauster. Under no circumstances shall the exhauster bear any weight of the venting system.**
4. Remove the plastic air inlet cap and connect the 2" PVC air intake connector with the rubber gasket on the outside of the unit using the 2" lock nut (in parts bag).
5. Remove the two plastic caps attached to the blower division, and the one attached to the side panel if applicable.
6. Affix the condensate trap assembly to the interior or exterior of the side panel in the blower compartment for upflow and downflow positions using the two screws provided in parts bag. For horizontal positions affix the condensate trap assembly to the exterior side panels.
7. Make sure combustion compartment is fully sealed.

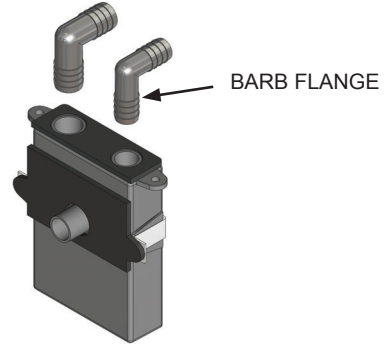
FIGURE 15



**IMPORTANT:**  
CONNECT 1/2" TEE FITTING (FIELD SUPPLIED)  
TO THE OUTLET OF THE CONDENSATE TRAP.

**NOTE**

- Condensate drain tubing must be cut to appropriate length and sloping towards condensate trap, ensuring that drain hoses do not create traps prior to the condensate trap assembly.
- Condensate trap must be primed with water prior to initial furnace start up.
- Barbed fittings must be fully inserted into condensate trap, seated to barb flange.



H16.3.3A

**11.3 EXHAUSTER ROTATION INSTRUCTIONS & PRESSURE SWITCH MOUNTING**

1. Loosen collar clamp and pull up exhaust pipe for adequate clearance.
2. Disconnect exhauster wire connection.
3. Remove the 4 exhauster screws.
4. Remove pressure switch assembly (switches) and front manifold cover pressure sensing hose.
5. Remove exhauster.
6. Reverse the bands on the rubber drain coupling so the screws are accessible if necessary. (Do not reverse the drain coupling.) Confirm that directional arrow on drain coupling points away from exhauster.
7. Remove the appropriate plastic cap on the side panel. Install cap on vent opening not in use.
8. Reinstall the exhauster and the pressure switch assembly in the correct orientation with the (4) exhauster screws removed in step 2. **DO NOT USE POWER TOOL.** Reinstall the pressure switches so that they are above the front manifold drain, to eliminate the chance of condensate draining into the pressure switch sensing hose causing erratic furnace operation. See Figure 16 for reference.
9. Rotate the drain coupling so the drain holes are angled downward 15° and tighten coupling band to exhauster.
10. Complete the venting as installation requires, mounting the exhaust pipe and tightly secure to collar.

Always secure or support the vent and intake to the floor joists or rafters to avoid sagging and possible fatigue of venting materials. This ensures proper drainage and prevents spilling the products of combustion into the building.

The blower compartment should be completely isolated from the burner compartment, and in tight rooms with other combustion devices, be completely isolated from the room. Ensure that the combustion door gasket is in good condition.

**IMPORTANT:**

**KEEP PRESSURE SWITCH HOSES ABOVE FRONT MANIFOLD DRAIN, AND CUT TO APPROPRIATE LENGTH TO PREVENT ANY SAGS OR TRAPS FORMING IN THE HOSES.**

**NOTE**

**DO NOT USE POWER TOOL**

**TABLE 5 - EXHAUSTER ORIENTATION**

Orientation		Rotate Exhauster (Y/N)	See Figure 16 for recommended mounting
Furnace	Flue		
Upflow	Left	Y	
Upflow	Vertical	N	
Upflow	Right	Y	

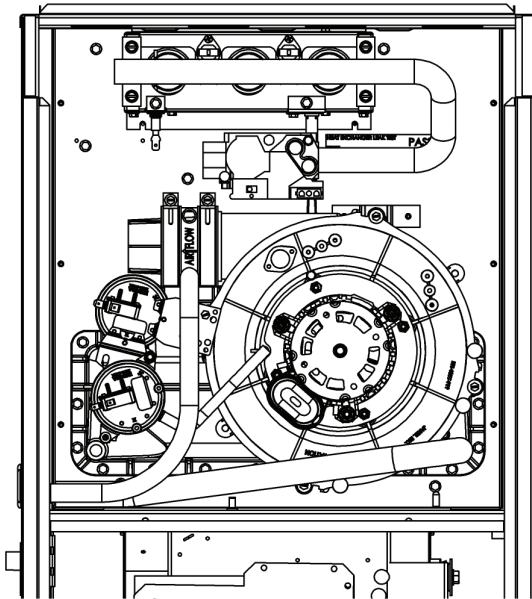
## ! WARNING !

**THERE MUST NOT BE ANY OPENINGS BETWEEN THE BLOWER DIVISION PANEL AND THE COMBUSTION COMPARTMENT. THE BLOWER COMPARTMENT IS UNDER GREATER SUCTION THAN THE COMBUSTION COMPARTMENT AND CAN PULL COMBUSTION AIR FROM THE BURNERS AND CAUSE INCOMPLETE COMBUSTION AND ERRATIC FURNACE OPERATION.**

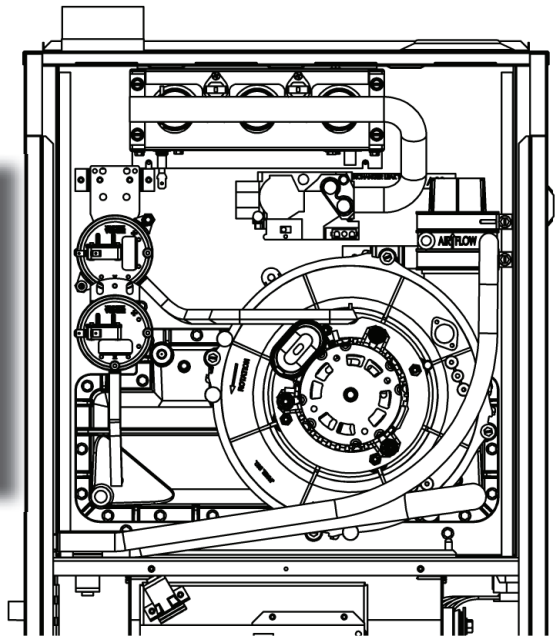
H3.16

**FIGURE 16 - UPFLOW VENT AND DRAINING OPTION**

**LEFT VENT - LEFT DRAIN INSTALLATION**



**TOP VENT - LEFT DRAIN INSTALLATION**



**NOTE**

Trap can be installed on the left or right side of the unit.

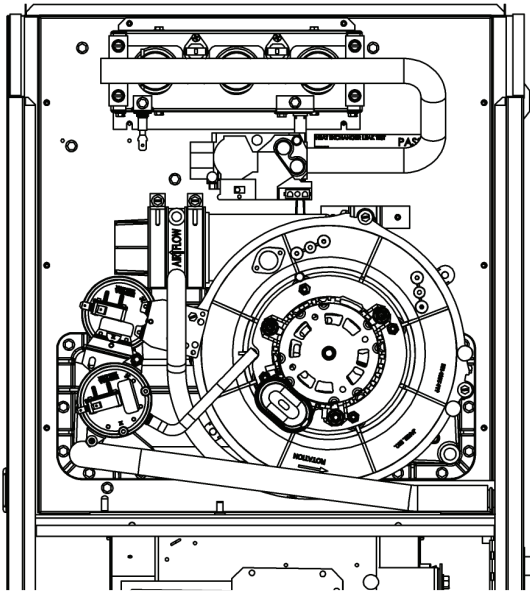
Only left side install pictured.

**IMPORTANT:**

- **PRIME CONDENSATE TRAP WITH WATER AND CUT DRAIN HOSES TO PROPER LENGTH.**
- **CUT PRESSURE SWITCH TUBING TO PROPER LENGTH.**
- **DO NOT SUBMERGE TERMINATION OF DRAIN HOSE.**

FIGURE 16 - UPFLOW VENT AND DRAINING OPTION CONTINUED

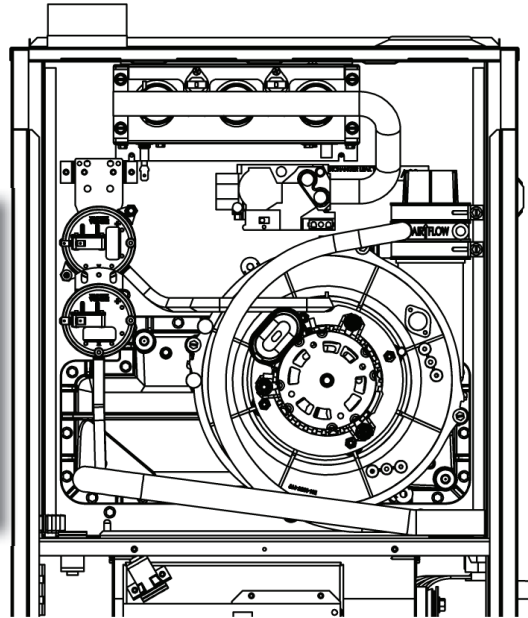
LEFT VENT - RIGHT DRAIN INSTALLATION

**NOTE**

Trap can be installed on the left or right side of the unit.

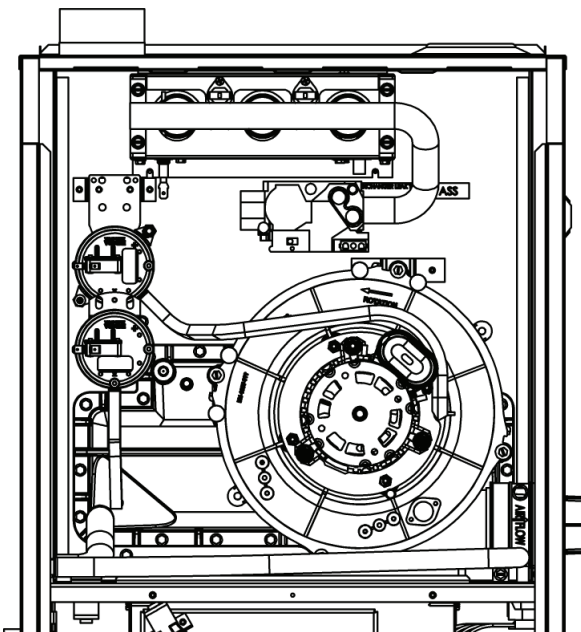
Only right side install pictured.

TOP VENT - RIGHT DRAIN INSTALLATION

**IMPORTANT:**

- PRIME CONDENSATE TRAP WITH WATER AND CUT DRAIN HOSES TO PROPER LENGTH.
- CUT PRESSURE SWITCH TUBING TO PROPER LENGTH.
- DO NOT SUBMERGE TERMINATION OF DRAIN HOSE.

RIGHT VENT - LEFT DRAIN INSTALLATION

**IMPORTANT:**

- PRIME CONDENSATE TRAP WITH WATER AND CUT DRAIN HOSES TO PROPER LENGTH.
- CUT PRESSURE SWITCH TUBING TO PROPER LENGTH.
- DO NOT SUBMERGE TERMINATION OF DRAIN HOSE.

**NOTE**

Upflow Vent Right - condensate trap must be installed on left side.

## ⚠ CAUTION ⚠

THE TWO INLETS TO THE DRAIN TRAP ARE FOR VENT PIPE AND CONDENSATE COLLECTION. THE VENT PIPE INLET IS SMALLER THAN THE CONDENSATE COLLECTION INLET. ENSURE THAT THE DRAIN HOSES ARE PROPERLY CUT TO THE REQUIRED LENGTH, CONNECTED AND SECURED.

### 11.4 DRAIN HOSE INSTALLATION

1. Connect one end of the 5/8" tubing (in parts bag) to the most direct drain outlet on the front manifold cover, and the other end to the larger elbow on the condensate trap assembly. Cut excess tubing if necessary and hold in place with the supplied plastic hose clamps (in parts bag).
2. Connect one end of the 1/2" tubing, using the reducing coupling (in parts bag), to the lower drain outlet on the exhauster coupling, and the other end to the smaller elbow on the condensate trap assembly. Cut excess tubing if necessary.

#### **NOTE**

**All condensate drain tubing must slope towards the condensate trap, ensuring that the drain hoses do not create traps or kinks in the hose prior to the condensate trap assembly.**

H16.4

#### 11.4.1 DRAIN PIPING

Condensate from the outlet of the drain trap assembly must be conveyed to a floor drain, sump pit, or, if these are unavailable, to a condensate pump. If using a condensate pump, be sure that it is approved for furnace condensate.

## ⚠ CAUTION ⚠

DO NOT DRAIN THE CONDENSATE OUTDOORS. DO NOT RUN THE CONDENSATE LINE THROUGH AREAS WHERE FREEZING MIGHT OCCUR. FREEZING OF CONDENSATE CAN RESULT IN ERRATIC FURNACE OPERATION AND IN PROPERTY DAMAGE.

A typical configuration would be to connect the side branch of a 1/2" CPVC tee to the drain trap assembly outlet, with the end branches oriented vertically (see the following figures).

A 1" (25mm) piece of 1/2" CPVC pipe connected to the upper end branch will serve as a vent, which will prevent the creation of a vapor lock, and serve as an overflow in the event that the drain line becomes blocked. A similarly sized piece of pipe connected to the lower end branch will permit connection to the condensate outlet with 5/8" ID / 7/8" OD flexible tubing, or the condensate may be piped entirely in CPVC to the floor drain/sump/condensate pump.

#### **NOTE**

**It is recommended that the condensate drain assembly not be cemented to the condensate trap outlet, if removal of the condensate trap is required in the future. Use a piece of the provided 1/2" drain hose if removal of the condensate trap is anticipated.**

#### **IMPORTANT:**

**IF AN AIR CONDITIONING EVAPORATOR COIL DRAIN IS TO SHARE THE FURNACE DRAIN LINE, IT SHOULD BE CONNECTED WITH A TEE FITTING DOWNSTREAM FROM THE TRAP. DO NOT CONNECT THE EVAPORATOR COIL CONDENSATE DRAIN UPSTREAM OF THE FURNACE DRAIN TRAP ASSEMBLY.**

H16.4.1B

### 11.4.2 PRIMING CONDENSATE TRAP

**IMPORTANT:**

THE CONDENSATE DRAIN TRAP ASSEMBLY SHOULD BE FULL OF WATER (PRIMED) BEFORE STARTING THE FURNACE. TO FILL THE CONDENSATE DRAIN TRAP ASSEMBLY, TEMPORARILY REMOVE THE VENT DRAIN HOSE FROM THE EXHAUSTER ASSEMBLY ELBOW/DRAIN FITTING, AND POUR APPROXIMATELY ONE CUP OF WATER DOWN THE HOSE. WATER WILL BEGIN RUNNING OUT THE CONDENSATE DRAIN TRAP OUTLET WHEN IT IS FULL. REFASTEN THE VENT DRAIN HOSE TO THE EXHAUSTER ASSEMBLY ELBOW/DRAIN FITTING.

THE CONDENSATE DRAINAGE CONFIGURATION REQUIRES A VENT. IT TAKES LESS THAN A ONE INCH RISE ANYWHERE ALONG THE HORIZONTAL ROUTE OF THE DRAIN TUBE TO CREATE A VAPOR LOCK, WHICH WILL PREVENT CONDENSATE FROM DRAINING AWAY FREELY, AND RESULT IN ERRATIC FURNACE OPERATION.

H16.4.2

**NOTE**

The furnace, condensate trap and condensate drain line should be routed within the conditioned space to avoid freezing of condensate and blockage of drain line.

Special precautions **MUST** be made if installing a condensing furnace in an area which may drop below 32°F (0°C). This can cause improper operation or damage to the equipment. If the furnace environment has the potential of freezing, the drain trap and drain line must be protected. In areas where the temperature may be below 32°F (0°C) a self-regulating, shielded and waterproof heat tape rated at 3 to 6 watt per foot (10 to 20 watt per meter) at 115 volt, 40°F (4°C) may be used to provide freeze protection of the remaining condensate drain line. RV antifreeze can be used to protect the drain trap if unit is going to be off for extended periods of cold weather. Wrap the drain trap and drain line with the heat tape and secure with appropriate plastic ties. Follow the heat tape manufacturer's recommendations. Prime the trap before furnace operation. The use of accessory drain trap heaters, electric heat tape and/or RV antifreeze is recommended for these installations.

Locate the furnace so condensate flows downwards to the drain. Do not locate the furnace or its condensate drainage system in any area subject to below freezing temperatures without proper freeze protection.

If the drain line is routed through an area which may see temperatures near or below freezing, precautions must be taken to prevent condensate from freezing within the drain line.

### 11.5 ALTERNATE CONDENSATE DRAIN PIPING INSTALLATION USING PVC OR CPVC

1. The supplied parts bag includes a length of 1/2" and 5/8" rubber hose and the condensate trap. Install the condensate trap according to instructions included in this manual.

FIGURE 17

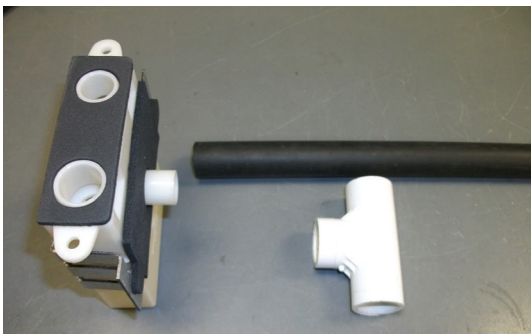
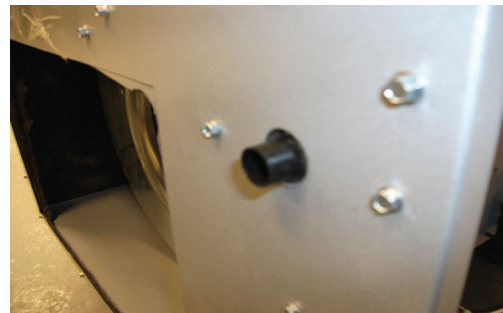


FIGURE 18



2. If installing with 1/2" PVC, use the 1/2" hose. If installing with 3/4" CPVC, use the 5/8" hose. Slide the appropriate hose over the condensate trap outlet and cut it flush with the end of the outlet. The remaining rubber should be flush with the end of the outlet on the condensate trap. The remaining hose is sufficient length to accommodate all furnace orientations.

FIGURE 19

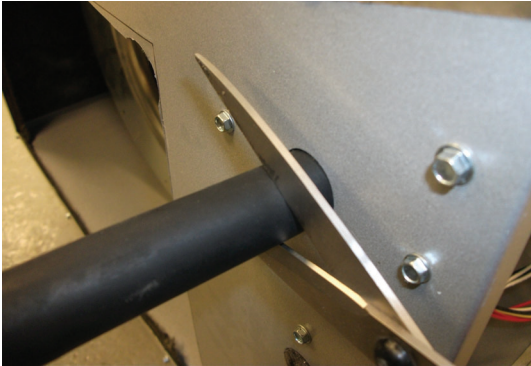
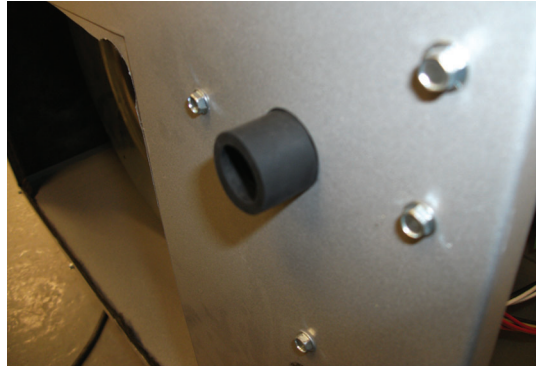


FIGURE 20



3. A 1/2" PVC coupling or bushing will fit snug over the 1/2" rubber hose. A 3/4" CPVC coupling or bushing will fit snug over the 5/8" rubber hose. This method ensures a water tight seal and also allows the condensate trap to be easily removed for service.

FIGURE 21



4. If extra security is desired, it is recommended to secure a strip of strapping around the drain. Utilize the existing condensate trap screws to secure the strapping.

---

 H16.5.2

## 11.6 CONDENSATE NEUTRALIZERS

Some local codes may require the use of a condensate neutralizer. If the furnace condensate is to be routed to a septic system, it may be advisable to use a condensate neutralizer.

When condensate neutralizers are used, it is advisable to install it with an overflow bypass tube.

---

 H16.6

## 12.0 GAS SUPPLY AND PIPING

### 12.1 GAS SUPPLY

#### ⚠ WARNING ⚠

**THIS FURNACE IS FACTORY EQUIPPED TO BURN NATURAL GAS ONLY.**

**CONVERSION TO LP GAS REQUIRES A NATURAL GAS TO LP CONVERSION KIT (W370-0018).**

**FAILURE TO USE THE PROPER CONVERSION KIT CAN CAUSE FIRE, EXPLOSION, CARBON MONOXIDE POISONING, PROPERTY DAMAGE, PERSONAL INJURY OR LOSS OF LIFE.**

H3.18

#### **IMPORTANT:**

- CONVERSION OF THIS FURNACE REQUIRES SPECIALIZED EQUIPMENT. CONVERSION MUST BE COMPLETED BY A TRAINED AND QUALIFIED INSTALLER, SERVICE AGENCY OR GAS SUPPLIER.
- CONNECT THIS FURNACE ONLY TO GAS SUPPLIED BY A COMMERCIAL UTILITY OR SUPPLIER. PRIVATE GAS WELLS DO NOT GENERALLY PROVIDE GAS WITH CONSISTENT, UNIFORM AND PREDICTABLE HEATING VALUES AND DENSITIES. MANY NON-COMMERCIAL WELLS CONTAIN IMPURITIES SUCH AS SULPHUR, WHICH MAY DAMAGE THE FURNACE. THIS FURNACE CANNOT OPERATE PROPERLY OR SAFELY USING FUELS OUTSIDE NORMAL COMMERCIAL STANDARDS.

H17.1

### 12.2 GAS PIPING

In Canada, the gas piping should be installed in accordance with CAN/CSA-B149.1 and 2, and in accordance with any local codes.

In the United States, the gas piping should be installed in accordance with (NFGC) NFPA 54 / ANSI Z223.1 and any local codes.

If local codes allow the use of a flexible gas appliance connector, always use a new listed connector. Do not use a connector, which has previously serviced another gas appliance.

#### **IMPORTANT:**

To maintain a good seal in the burner area, the gas piping through the side panel into the furnace must be 1/2" Schedule 40 black iron pipe. The pipe passes through a special rubber grommet that is custom manufactured to seal tightly around the gas pipe. (Figure 27)

The gas piping may enter the furnace from either side. Once the routing of the gas pipe is determined, select and remove the plastic cap if necessary and install on other panel, and install the grommet within the hole.

**FIGURE 27 - FURNACE GAS PIPE CONNECTIONS  
(NOTE RUBBER GROMMET)**

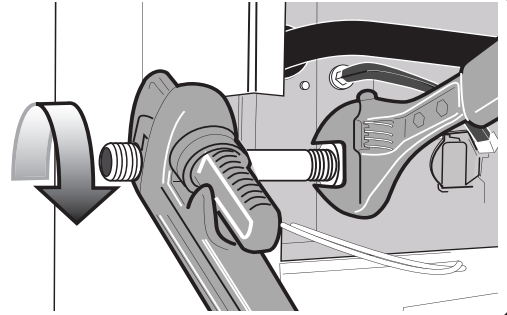


#### **NOTE**

We recommend a union between the gas valve and the side panel to allow easy removal of the burner for service purposes.

**IMPORTANT:**  
ENSURE  
THAT THE  
GAS VALVE  
IS NOT  
SUBJECTED  
TO HIGH  
PRESSURES.

**IMPORTANT:**  
ALWAYS USE A BACKUP  
WRENCH TO PREVENT TWISTING  
OF THE GAS VALVE. ANY  
STRAINS ON THE GAS VALVE  
CAN AFFECT POSITIONING OF  
THE ORIFICES RELATIVE TO THE  
BURNERS. THIS COULD RESULT  
IN FAULTY BURNER OPERATION.



Install a manual gas shut-off valve and dirt pocket as close to the furnace as possible. Some local codes call for the manual gas shut-off valve to be located between 4 feet (1.2m) to 5 feet (1.5m) above floor level to prevent tampering by small children. Ensure that the valve is readily accessible.

H17.2B

## ⚠ WARNING ⚠

**DISCONNECT THE MANUAL SHUT-OFF VALVE AND GAS VALVE DURING ANY PRESSURE TESTING THAT EXCEEDS 1/2 P.S.I.G. (3.45 KPA).**

H3.19

### 12.3 GAS INLET PRESSURE

The natural gas inlet supply pressure should be 5" to 7" w.c. (7" w.c. recommended). The LP gas inlet supply pressure should be 11" to 13" w.c. (12" w.c. recommended). These pressures must be maintained while all other gas fired appliances are operating at maximum conditions.

**IMPORTANT:**  
DO NOT EXCEED 13" W.C. INLET PRESSURE WITH EITHER FUEL.

The gas valve has an adjustable internal regulator for controlling burner manifold pressure. Burner manifold pressure is listed on the furnace rating plate.

H17.3.1

### 12.4 LEAK TESTING

All new gas piping installations should be pressure tested as specified by CAN/CSA-B149.1 & 2, or NFPA 54 ANSI Z223.1 or ANSI/NFPA 58, "Standard for the Storage and Handling of Liquefied Petroleum Gases."

Gas piping that has not been pressure tested, from the manual shut-off valve to the furnace gas valve for example, should be leak tested using an electronic combustible gas detector, a commercially prepared leak detector, or other locally approved method.

H17.4

### 12.5 PURGING GAS LINES

## ⚠ WARNING ⚠

**NEVER USE A MATCH, TAPER, CIGARETTE LIGHTER, FLAME OR ANY OTHER IGNITION SOURCE TO CHECK FOR LEAKS IN A GAS LINE.**

**FAILURE TO ADHERE TO THIS WARNING CAN CAUSE A FIRE OR EXPLOSION RESULTING IN PROPERTY DAMAGE, PERSONAL INJURY, OR LOSS OF LIFE.**

H3.20

## 13.0 CONVERSIONS

### 13.1 HIGH ALTITUDE CONVERSION

**In Canada**, this furnace does not need to be converted for high altitude (2000-4500ft), when the fuel source is natural gas. It has been certified to operate at high altitude as manufactured. Between 2000ft and 4500ft when the fuel source is LP, a 10% reduction of input capacity is necessary.

**In the United States**, this furnace does not need to be converted for high altitude from (2000-5400ft), when the fuel source is natural gas. It has been certified to operate at high altitude as manufactured up to 5400ft only. Beyond 5400ft the modifications are based on a 4% reduction of input capacity for every 1000ft above sea level. If the fuel source is liquid propane, refer to High Altitude Specifications table for appropriate derate above 2000ft based on a 4% reduction of input capacity for every 1000ft above sea level. Consult with local fuel suppliers or authorities to determine local regulations or customs.

H18.1.5

Input K/Btu/hr	ALTITUDE	ORIFICE SIZE (DMS)	
		NATURAL	LP GAS
40/60/80 100/120	0-2000 (0-610 m)	45	55
	2000-3000 (610-914 m)		56
	3000-4000 (914-1219 m)		57
	4000-5000 (1219-1524 m)		58
	5000-5400 (1524-1646 m)		59
	5400-6000 (1646-1829 m)	51	60
	6000-7000 (1829-2134 m)	52	61
	7000-8000 (2134-2438 m)	53	62
	8000-9000 (2438-2743 m)	54	63
	9000-10000 (2743-3048 m)	55	65

Gas input ratings are certified for elevations to 5400 ft. (1646 m) on natural gas. For elevations above 5400 ft. (1646 m) on natural gas, or LP fuel source above 2000 ft. (610 m), follow orifice derate chart above.

H12.8.1A

### 13.2 NATURAL TO LP GAS CONVERSION

This series furnace is manufactured as a natural gas appliance that may be converted to LP gas through use of the **Conversion Kit part number W370-0018**. This kit contains the conversion kit instructions, orifices needed for all models, the regulator spring for the gas valve, and a label to affix adjacent to the appliance rating plate to alert subsequent service technicians of the conversion. **The parts removed for this conversion must remain with the furnace for any future conversion back to natural gas.**

When converting for LP operation the installation of a low pressure cut off switch is required, which is included in the LP Conversion Kit (Part No. W370-0018).

H18.2B

### 13.3 CONVERSION STEPS

Refer to Conversion NG to LP Kit (W370-0018) for complete instruction.

H18.3

### 13.4 CHECKING THE INLET GAS PRESSURE

#### WHITE-RODGERS 36G54 TWO STAGE GAS VALVE

1. Turn off the gas and electrical supply to the furnace.
2. Back inlet pressure test screw (inlet pressure boss, see FIGURE 31) counterclockwise out one turn maximum, with a 3/32" Allen wrench. Attach a hose and calibrated U-tube or digital manometer to the inlet pressure boss. Hose should overlap boss 3/8". The manometer must have a scale range of at least 0" to 15" of water column.
3. Turn ON the gas and electrical supply and operate the furnace and all other gas consuming appliances on the same gas supply line. Using a leak detection solution, check for leaks around the gas valve/manifold connection and the burner orifices. Repair any leaks before continuing.
4. Measure furnace gas inlet pressure with burners firing. Inlet pressure must be within the range specified on the furnace rating plate. 5-10.5" w.c. (Natural Gas) or 11-13" w.c. (LP).

If the inlet pressure differs from the rating plate, make the necessary adjustments to pressure regulator, gas piping size, etc. and/or consult with local gas utility.

5. Turn off gas and electrical supply to furnace, remove the manometer hose from the inlet pressure tap boss, and tighten the inlet pressure tap screw using the 3/32" Allen wrench. (Clockwise, 7 in-lb minimum).
6. Turn on the gas supply and electrical power to the furnace.
7. Using a leak detection solution, check for leaks at pressure boss screw. Bubbles forming indicate a leak. SHUT OFF GAS AND FIX ALL LEAKS IMMEDIATELY!
8. Turn gas back on and test inlet pressure boss with leak detector.
9. If working on a natural gas system, contact the gas utility. They may insist on any service regulator adjustments being made by their own staff.

If problems were encountered with obtaining enough pressure, first examine the gas piping system to ensure that it is correctly sized. Pipe sizing is specified in CAN/CSA-B-149.1 & 2, and in NFPA 54 / ANSI Z223.1. Be sure to check for restrictions, partially closed valves, etc.

In some circumstances, high inlet pressure can be remedied with the use of an in line appliance regulator. If an in line appliance regulator is used, ensure that it has the capacity to adequately handle the gas volume required by the furnace and any other appliances receiving gas from the header serving the furnace.

H18.4.2A

FIGURE 31 - WHITE RODGERS 36G54 GAS VALVE

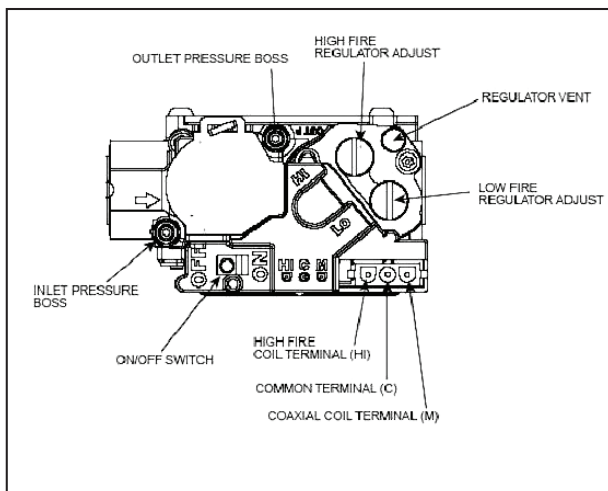
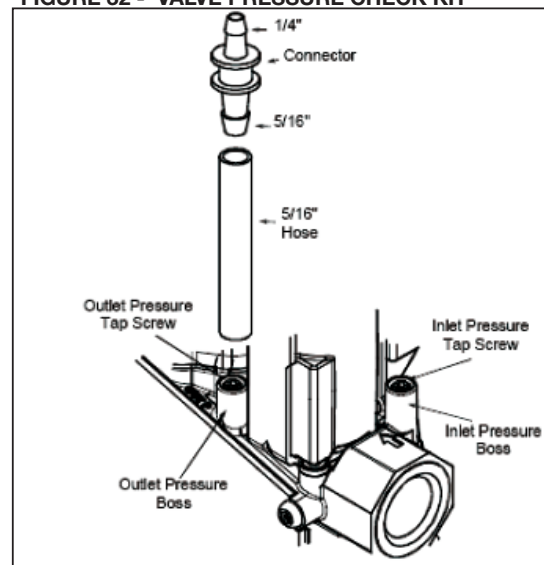


FIGURE 32 - VALVE PRESSURE CHECK KIT



### 13.5 SETTING THE MANIFOLD GAS PRESSURE

When the installation is completed to the "Start-up & Setup" stage, test the gas manifold pressure by following these steps:

#### WHITE-RODGERS 36G54 TWO STAGE GAS VALVE

1. Turn off the gas and electrical supply before proceeding.
2. Back outlet pressure test screw (outlet pressure boss, see Fig.31) counterclockwise out one turn maximum, with a 3/32" Allen wrench. Attach a hose and calibrated U-tube or digital manometer to the outlet pressure boss. Hose should overlap boss 3/8". The manometer must have a scale range of at least 0" to 15" of water column.
3. Turn on the gas supply and electrical power to the furnace and energize main solenoid by connecting R to W1 on the integrated control board. Do not energize the HI solenoid.
4. Remove regulator adjustment cover screw from the low outlet pressure regulator adjust tower (Fig.31) and turn the plastic regulator adjustment screw clockwise to increase manifold pressure or counterclockwise to reduce manifold pressure. Always adjust regulator according to original equipment manufacturer's specifications listed on the appliance rating plate. Replace regulator cover screw.
5. Energize main solenoid as well as the HI terminal by connecting R/W1 and W1/W2 on the integrated furnace control. Remove regulator cover screw from the high outlet pressure regulator adjust tower (Fig.31) and turn the plastic regulator adjustment screw clockwise to increase manifold pressure or

counterclockwise to reduce manifold pressure. Manifold pressure should be set to pressure specified on the appliance rating plate. Always adjust regulator according to original equipment manufacturer's specifications listed on the appliance rating plate.

When the correct pressure has been established, securely replace the regulator cover screw.

6. Turn off the gas and electrical supply to the furnace.
7. Remove the manometer hose from the outlet pressure tap boss, and tighten the outlet pressure tap screw using the 3/32" Allen wrench. (Clockwise, 7 in-lb minimum).

## ! WARNING !

**ALL REGULATOR ADJUSTMENTS MUST BE DONE BY A TRAINED, QUALIFIED TECHNICIAN. IMPROPER MODIFICATIONS OR ADJUSTMENTS CAN RESULT IN FIRE OR EXPLOSION CAUSING PROPERTY DAMAGE, SEVERE PERSONAL INJURY OR LOSS OF LIFE.**

H3.21

8. Turn on the gas supply and electrical power to the furnace.
9. Turn on system power and energize valve.
10. Using a leak detection solution or soap suds, check for leaks at pressure boss screw. Bubbles forming indicate a leak. SHUT OFF GAS AND FIX ALL LEAKS IMMEDIATELY!

H18.5.5B

### 13.6 CHECKING FURNACE INPUT

The natural gas supply pressure should be a maximum of 10.5" w.c. and minimum of 5" w.c. (recommended 7" w.c.). The LP gas inlet supply pressure should be 11" to 13" w.c.. The input rating of the furnace is based on 1000 Btu/ft.<sup>3</sup> gas with a specific gravity of 0.6.

Since heating values for the gas vary geographically, the actual furnace input and output will vary accordingly. For example, natural gas with a 900 Btu/ft.<sup>3</sup> heating value will reduce the input to 90% of the rated input. Natural gas with a 1100 Btu/ft.<sup>3</sup> heating value will increase the input to approximately 110% of the rated input. This is not usually a problem; however, adjustments to compensate for this can be made by minor adjustments to the burner manifold pressure or by changing the burner orifice size. Contact the fuel supplier for specific heating content values.

Any adjustments to the burner manifold pressure should be carried out with the use of a manometer or calibrated Magnehelic® gauge. Do not adjust the gas valve pressure regulator more than ±0.3" w.c. from that specified on the rating label. Refer to Figure 30.

**IMPORTANT:**  
NEVER ADJUST THE INPUT OF THE FURNACE TO EXCEED THE INPUT SHOWN ON THE RATING PLATE.

$$\text{Input} = \frac{\text{Heating Value of Gas} \times 3600}{\text{Time in Sec. for 1 cu. ft.}}$$

where:

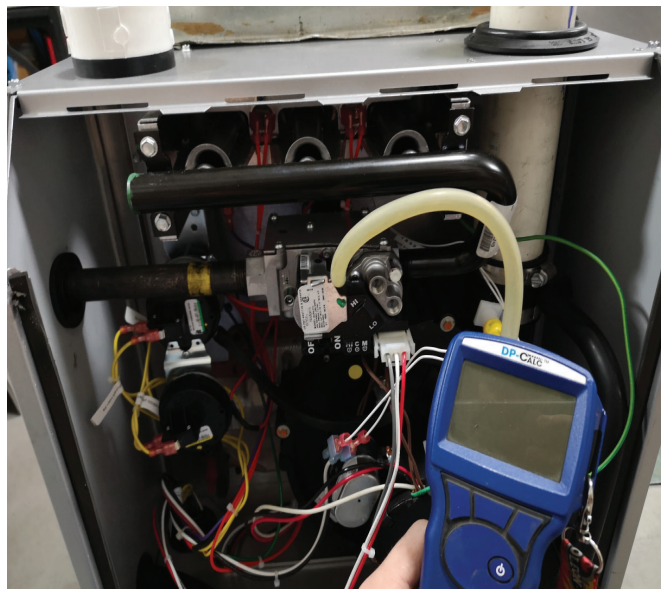
- input is expressed in Btu/hr
- heating value of the gas is expressed in Btu/ft<sup>3</sup>
- and time is the number of seconds required for the test dial to indicate 1 cubic foot.

*If using a gas meter with SI (metric) units:*

- 1 cubic foot = 0.0283 cubic meters
- 1 cubic meter = 35.315 cubic feet
- 0.01 cubic meter = 0.3531 cubic feet
- 0.5 cubic meter = 1.766 cubic feet

H18.6.4A

FIGURE 30 - MANOMETER MEASURING GAS MANIFOLD PRESSURE



## 14.0 ELECTRICAL SPECIFICATIONS

### 14.1 ELECTRICAL WIRING AND CONNECTIONS

Before proceeding with the electrical connections, ensure that the available electrical supply is compatible with the voltage, frequency and phase listed on the appliance rating plate.

All furnaces are rated 120 VAC, 60 Hz, 1 Ø. The amperage rating is 12 amps or less.

Each furnace requires a dedicated 15 amp over-current device, either a 15 amp circuit breaker or a 15 amp Type D time delay fuse. It is permissible to connect furnace accessories such as humidifier transformers, condensate pumps and electronic air cleaners. If adding accessory equipment to the furnace circuit, ensure that the combined amperages listed on the appliance rating plates does not exceed the rating of the over-current device.

### ⚠ WARNING ⚠

**SHUT OFF ELECTRICAL POWER AT THE FUSE BOX OR SERVICE PANEL BEFORE MAKING ANY ELECTRICAL CONNECTIONS. FAILURE TO DO SO CAN CAUSE ELECTRICAL SHOCK RESULTING IN PERSONAL INJURY OR LOSS OF LIFE.**

- **THE FURNACE CABINET MUST HAVE AN UNINTERRUPTED GROUND.**
- **A GROUND WIRE IS PROVIDED IN THE ELECTRICAL JUNCTION BOX.**
- **DO NOT USE GAS PIPING AS A GROUND.**

**FAILING TO GROUND THE FURNACE PROPERLY CAN RESULT IN ELECTRIC SHOCK RESULTING IN PERSONAL INJURY OR DEATH.**

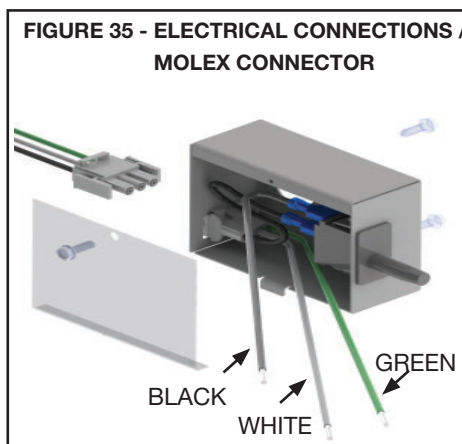
H3.22

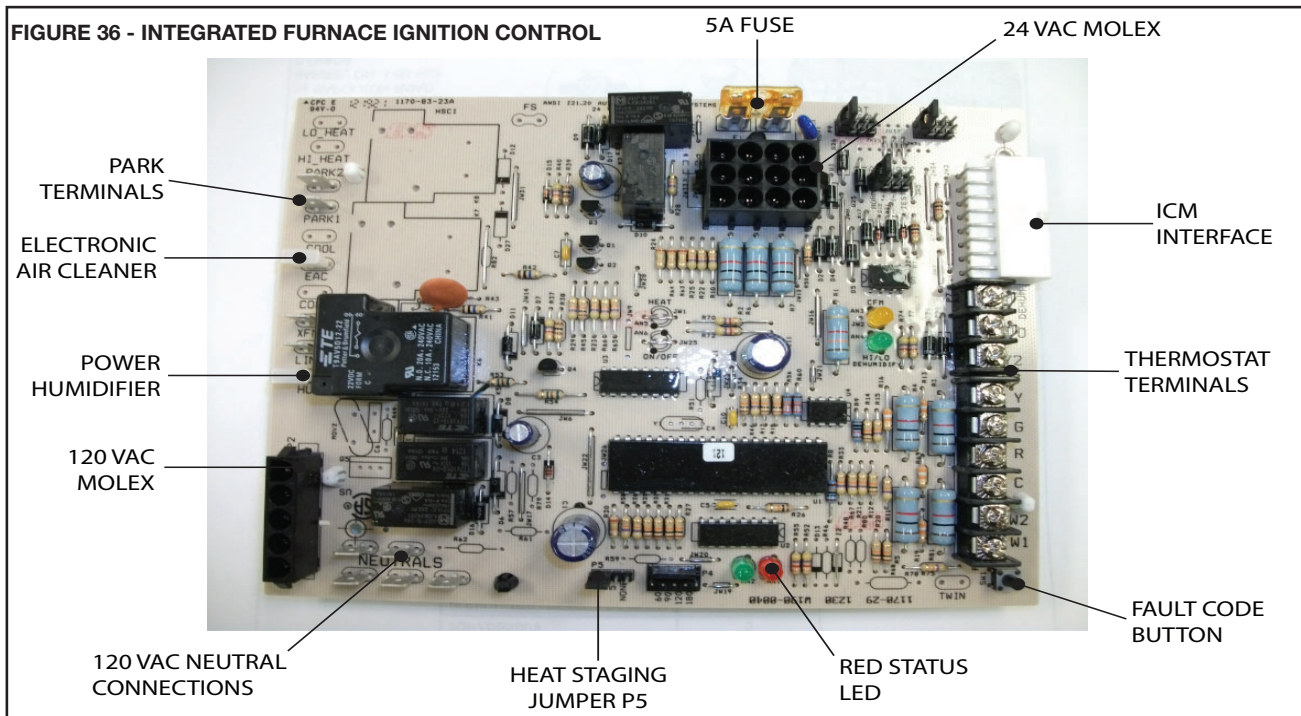
In Canada, all electrical work must be in accordance with the latest edition of CSA-C22.1, Canadian Electrical Code Part 1, and any applicable local code.

In the United States, all electrical work must be in accordance with the latest edition of the National Electrical Code, ANSI / NFPA 70.

Although a suitably located circuit may serve as a service switch, a separate service switch is recommended. A separate service switch is necessary if the circuit breaker is in a location where accessing it would require getting close to the furnace, or if the furnace is located between the main electrical panel and the entry to the furnace room. **The furnace switch (service switch) should be clearly labeled, and installed in a location where it is not likely to be mistaken as being a light switch or similar control.**

H19.1A





## 14.2 FURNACE CONNECTION

The furnace is shipped fully wired except for the connections to the house wiring. The furnace power connections are made in a junction box inside the blower compartment. The junction box contains a BLACK wire to be connected with L1 (hot), a WHITE wire to be connected with L2 (Neutral), and a GREEN wire to be connected to the ground.

### NOTE

Use good quality wire nuts such as Marrette® connectors, Ideal® wire nuts, etc.

### IMPORTANT:

**USE COPPER CONDUCTORS ONLY.**

If the junction box must be moved from its original location to the other side of the unit.

1. Remove the appropriate plastic cap from the desired left or right side panel, and place it on the panel not being serviced.
2. Fasten the junction box to the selected panel.
3. Secure power line connection into junction box, following above reference.
4. Use only ground screws for junction enclosure.

H19.2

## ⚠ WARNING ⚠

**THIS FURNACE IS EQUIPPED WITH A BLOWER DOOR SAFETY SWITCH. DO NOT DISABLE THIS SWITCH. FAILURE TO FOLLOW THIS WARNING CAN RESULT IN ELECTRICAL SHOCK, PERSONAL INJURY, OR LOSS OF LIFE.**

H3.23

## 15.0 LOW VOLTAGE WIRING

The thermostat and control wiring should be a minimum of 18 AWG copper. Excessive lengths of wire may result in enough voltage drop to impair the proper functioning of the furnace. For thermostat wires in excess of 25 feet (7.6m), use 16 AWG; 50 feet (15.2m), use 14 AWG.

H53.1

### 15.1 SINGLE STAGE THERMOSTAT

The automatic heat staging option allows a single stage thermostat to be used with a two stage furnace. The control provides a movable jumper (P5) to select between 5 minute and \*10 minute automatic staging. Automatic staging time begins when the blower is energized after the heat blower delay period. If the jumper is in the 5 minute position, the control will automatically start high heat after 5 minutes of continuous low heat operation. If the jumper is in the \*10 minute position, the control will automatically start high heat after 10 minutes of continuous low heat operation. Once high heat is started from automatic staging, the demand for high heat remains until the heat call is satisfied.

\* Factory Setting

H53.4

#### Adjust Thermostat Heat Anticipator Mechanical thermostat:

Set thermostat heat anticipator to match the amp draw of the electrical components in the R--W circuit.

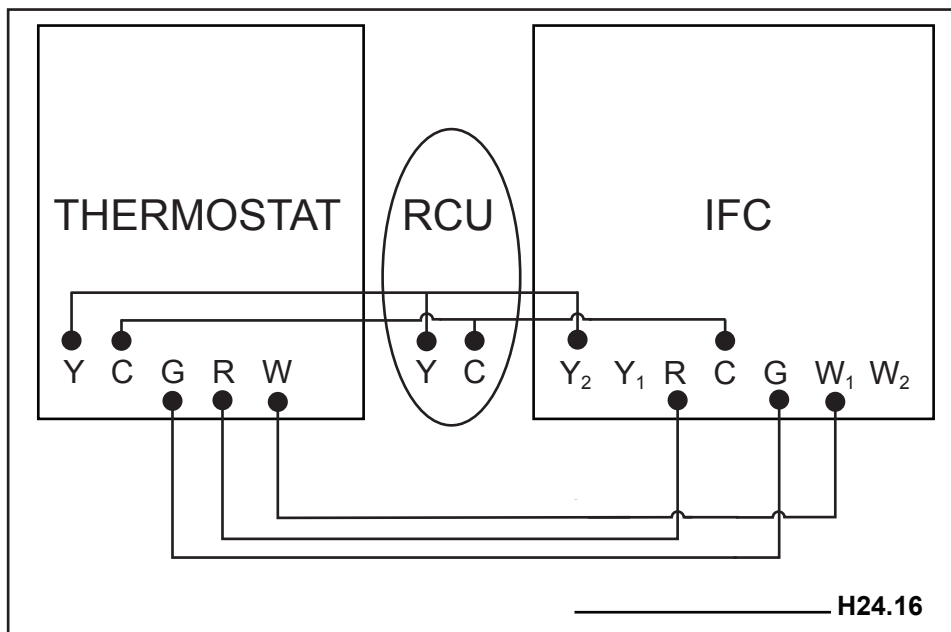
Accurate amp draw readings can be obtained at the wires normally connected to thermostat subbase terminals R and W. The thermostat anticipator should NOT be in the circuit while measuring current.

1. Remove thermostat from subbase or from wall.
2. Connect an amp meter across the R and W subbase terminals or R and W wires at wall.
3. Record amp draw across terminals when furnace is in low heat and after blower starts.
4. Set heat anticipator on thermostat per thermostat instructions and install on subbase or wall.

The board and gas valve in a Wolf Steel furnace have an amp draw of .9 amps.

If using an Electronic thermostat: Set cycle rate for 3-4 cycles per hr.

FIGURE 30 - THERMOSTAT CONNECTION DIAGRAM



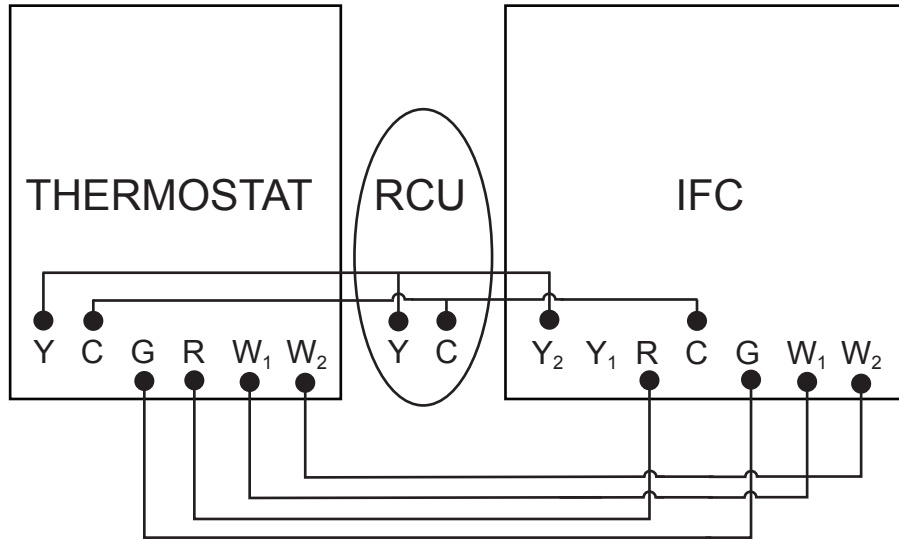
H24.16

### 15.2 TWO STAGE THERMOSTAT

When connecting a two stage thermostat, the jumper (P5) must be in the "NONE" position. The control runs high heat from the thermostat W2 demand.

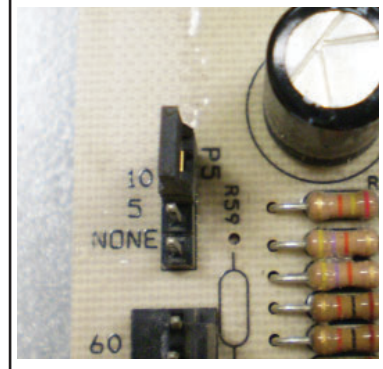
H53.3

FIGURE 31 - THERMOSTAT CONNECTION DIAGRAM



H24.17

FIGURE 32 - JUMPER P5



### 15.3 THERMOSTAT LOCATION

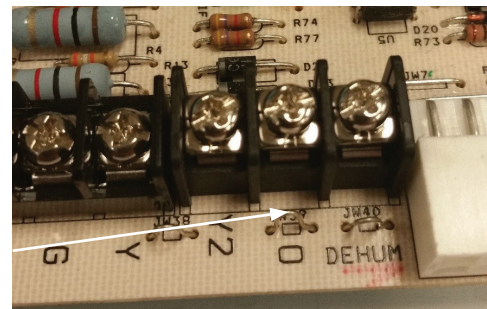
The thermostat should be located approximately 5 feet (1524mm) above the floor, on an inside wall where there is good natural air circulation, and where the thermostat will be exposed to average room temperatures. Avoid locations where the thermostat will be exposed to cold drafts, heat from nearby lamps or appliances, exposure to sunlight, heat from inside wall stacks, etc.

H53.2

### 15.4 FURNACE PAIRED WITH HEAT PUMP

With installation applications that combine a furnace and a heat pump in conjunction with a thermostat which features dual fuel use, the JW39 jumper on the furnace control board must be cut. If the jumper is left intact, terminal "O" will remain energized effectively eliminating the cooling mode of the heat pump.

Cut JW39 for heat pump



H53.5

## 16.0 OPTIONAL ACCESSORIES (FIELD SUPPLIED/ INSTALLED)

### 16.1 ELECTRONIC AIR CLEANER

The integrated furnace control has provisions to supply power and control an electronic air cleaner rated at 120VAC, 1.0 amp max. 120 volt power will be available at these terminals whenever the circulating fan is operating in the heating or cooling fan modes.

H20.1.1

### 16.2 POWER HUMIDIFIER

The integrated furnace control has provisions to supply power and control a line voltage humidifier or the primary of a 120 / 24 volt humidifier step down transformer, rated at 120VAC, 1.0 amp max.

#### **NOTE**

All HUM and EAC terminals are 120V. Do not directly connect 24V equipment to these terminals.

H20.2

## 17.0 INITIAL START-UP PROCEDURES

This furnace is equipped with a HSI (Hot Surface Ignition) device. Each time that the room thermostat calls for heat, the HSI lights the main burners directly. See the lighting instructions on the furnace.

When the gas supply is initially connected to the furnace, the gas piping may be full of air. Follow the instructions contained in the natural gas and propane installation codes to properly purge the gas supply line. Test the affected joints to ensure there are no leaks. Allow five minutes for any gas to dissipate before continuing with the start-up procedure. Be sure proper ventilation is available to dilute and carry away any vented gas.

During initial start-up, it is not unusual for odor to come out of any room register. To ensure proper ventilation, it is recommended to open windows and doors, before initial firing.

The furnace has a negative pressure switch that is a safety during a call for heat. The induced draft blower must pull a negative pressure on the heat exchanger to close the negative pressure switch. The induce draft blower must maintain at least the negative pressure switch set point for the furnace to operate. If the induced draft blower fails to close or maintain the closing of the negative pressure switch, a "no heat call" would result.

#### **NOTE**

It is required/mandatory that the drain trap assembly be primed before the initial startup. Refer to the instructions on how to prime the condensate trap on the drain piping section in this manual. A dry trap will allow flue gases to flow through the recovery coil drain, which will prevent the condensate from draining from the recovery coil. If enough condensate accumulates in the recovery coil, the recovery coil pressure switch will sense this condition and break its electrical contacts, and extinguish combustion. If this takes place, the induced blower will stop after a brief post-purge cycle, the condensate will drain out and fill the trap. If the thermostat is still calling for heat, the ignition sequence will start again after a 5 minute wait.

H21.0B

### 17.1 TO START THE FURNACE

1. Shut off the electrical power to the furnace and set the room thermostat to its lowest setting.
2. Remove the burner compartment access door.

#### **IMPORTANT:**

**ENSURE THAT THE MANUAL GAS VALVE SWITCH HAS BEEN IN THE "OFF" POSITION FOR AT LEAST 5 MINUTES. DO NOT ATTEMPT TO MANUALLY LIGHT THE MAIN BURNERS.**

3. Turn the gas valve switch to the "ON" position.
4. Replace the burner compartment access door.
5. Turn on furnace appliance shut off valve.
6. Restore electrical power to the furnace.
7. Set the room thermostat to a point above room temperature to light the furnace.
8. After the burners are lit, set the room thermostat to the desired temperature.

H21.1

## 17.2 TO SHUT DOWN THE FURNACE

1. Set the room thermostat to below set point.
2. Remove the burner compartment access door.
3. Turn the gas valve switch to the "OFF" position.
4. The furnace appliance shut-off valve may be closed if desired.
5. Power to the furnace must remain on for the air conditioner to work.

H21.2

### ⚠ WARNING ⚠

**SHOULD OVERHEATING OCCUR OR THE GAS BURNERS FAIL TO SHUT OFF, CLOSE THE MANUAL GAS VALVE FOR THE FURNACE BEFORE SHUTTING OFF THE ELECTRICAL POWER TO THE FURNACE. FAILURE TO DO SO CAN CAUSE AN EXPLOSION OR FIRE RESULTING IN PROPERTY DAMAGE, PERSONAL INJURY OR LOSS OF LIFE.**

**BEFORE RESTARTING THE FURNACE, CHECK ALL PLASTIC VENTS AND WIRES FOR DAMAGE.**

H3.24

## 17.3 SEQUENCE OF OPERATION

1. Room temperature drops causing the room thermostat call for first stage heat by connecting "W1" to "R". The control verifies the limit switch is closed and both low and high pressure switches are open. The control energizes the exhaustor motor on high speed and waits for the low pressure switch to close. The exhaustor remains on high speed and begins a 15 second pre-purge period. The high pressure switch is ignored. If the low pressure switch does not close within 60 seconds, the control will flash "2" on the Red Status LED, and de-energize the exhaustor for 60 minutes.
2. When the 15 second pre-purge time has elapsed, the control energizes the HSI output for a 15 second warm-up period (15 seconds on retries). The control energizes the low main gas valve. 4 seconds after the gas is energized, the control de-energizes the HSI output and leaves the gas energized another 1 second for flame proving. If flame is present at the end of trial for ignition time, the control leaves the gas valve energized, exhaustor on high speed, and begins heat blower on delay. The control always ignites on high exhaustor/low gas and ignores second stage call for heat until low fire is established for 15 seconds.
3. Blower on delay time begins when the gas valve is energized. The control provides the motor low heat speed signal when flame is proven, and starts a 30 second blower delay before full capacity blower level.
4. When there is a demand for 2nd stage heat from thermostat W2 or automatic staging, the control changes the exhaustor from low to high speed. When high pressure switch closes, the control changes indoor blower speed from Low heat to High heat and energizes high gas output. If the high pressure switch is open the Green LED will flash. If the high pressure switch is closed the Green LED will be on. High gas valve drops out while High pressure switch is open because it is directly in series with the high pressure switch.
5. When the thermostat W2 call ends and W1 remains (two stage thermostat), the control de-energizes the high gas output and immediately changes exhaustor speed from high to low. With the thermostat heating contacts open (single stage thermostat), the flames extinguish immediately and the exhaustor blower stops after a 5 second post purge time.
6. Blower off delay is handled by the motor. The control de-energizes the motor heat signal when the gas valve de-energizes, and starts a programmed delay period.

### IN THE EVENT OF FLAME FAILURE:

If flame is lost, the control de-energizes the gas valve within 2 seconds, switches the exhaustor motor to high speed (if not already on high), and begins timing the inter-purge delay. The indoor blower motor will be energized and/or remain energized on heat speed for the programmed delay off time. When the inter-purge delay is over, the control will re-cycle up to 5 flame losses (4 re-cycles) within a single call for heat before going into lockout. The control flashes "8" on the Red LED if lockout is due to too many flame dropouts (1 hour lockout).

H21.3.2B

## 18.0 AIR FLOW

For proper furnace operation, air flow over the heat exchanger is of utmost importance. Insufficient airflow accelerates metal fatigue and possible failure in the heat exchanger, as well as decreased efficiency. Excessive airflow promotes accelerated corrosion of the heat exchanger.

**IMPORTANT:**  
DO NOT BYPASS THIS STEP OF THE  
START UP PROCEDURES.

H22.0

TABLE 1 - RANGE OF TEMPERATURE RISE

	FIRE RATE	INPUT	OUTPUT	DELTA T (°F)
WUV040T2AA-N	High Fire	40,000	39,000	40-70
	Low Fire	24,000	23,000	35-65
WUV060T3AA-N	High Fire	60,000	58,000	40-70
	Low Fire	36,000	35,000	35-65
WUV080T3AA-N	High Fire	80,000	78,000	45-75
	Low Fire	48,000	47,000	40-70
WUV080T4BA-N	High Fire	80,000	78,000	40-70
	Low Fire	48,000	47,000	35-65
WUV100T5BA-N	High Fire	100,000	97,000	40-70
	Low Fire	60,000	58,000	35-65
WUV120T5BA-N	High Fire	120,000	116,000	40-70
	Low Fire	72,000	70,000	35-65

### 18.1 TEMPERATURE RISE CHECK

When the duct system is complete and the air filter or filters are in place, determine if the airflow is correct for both low and high fire input rates.

1. Insert a duct thermometer in the supply air duct. The thermometer should be placed as close as practical to the furnace, but out of the "line of sight" of the heat exchanger (this prevents false readings owing to radiant heat). Ensure that the thermometer location is within the duct air stream. Avoid locations such as the inside radius of an elbow, etc.
2. Insert a duct thermometer in the return air duct as close to the furnace as practical. Ensure that the thermometer location will be unaffected by humidifier bypass ducts, etc. Choose a location well within the main air stream.
3. Operate the furnace long enough to obtain steady state conditions at both input rates (High Fire and Low Fire).
4. When the two thermometers have stabilized, usually within 5-8 minutes, compare the two readings. Subtract the return air temperature from the supply air temperature. The difference is the temperature rise, also called  $\Delta T$ .
5. Compare the measured  $\Delta T$  to the temperature rise range shown on the rating plate.

When adjusting the temperature rise, see Section 18.3. The ideal temperature is approximately mid-range on the rating plate.

**Heat speeds are not meant to be adjusted.**

H22.1.7

If the measured  $\Delta T$  is above the approved temperature range, there is too little air flow. It must be increased by removing restrictions in the ductwork, adding supply or return ductwork, or by selecting a higher motor speed.

If the measured  $\Delta T$  is too low, there is too much air flow.

### 18.2 CALCULATING AIR FLOW

There are circumstances where it may be desirable to know the air flow delivery through the duct system, such as when estimating the amount of air flow available for air conditioning. This can be done by direct measurement with electronic or sloped manometers and velometers, or use the formula in the next column. CFM can also be estimated by counting number of flashes of the amber CFM LED on the control board. Each flash signifies 100 CFM.

**IMPORTANT:** Make sure to install all the doors/access panels on the equipment prior to measuring Delta T.

$$\text{CFM} = \frac{\text{Output}}{1.085 \times \Delta T}$$

where:

- CFM is airflow in cubic feet per minute;
- $\Delta T$  is the temperature rise; and
- Output is the furnace output capacity from the rating plate.

H22.2.1A

18.3 BLOWER AIRFLOW

**! WARNING !**

**DISCONNECT THE ELECTRICAL SUPPLY TO THE FURNACE BEFORE ATTEMPTING TO CHANGE THE BLOWER SPEED. FAILURE TO DO SO COULD RESULT IN ELECTRICAL SHOCK RESULTING IN PERSONAL INJURY OR LOSS OF LIFE.**

H3.77

This unit is factory set to run at the middle of the heating temperature rise range as listed on the rating plate. The cooling speed is set to the maximum airflow designated in the model number.

Three sets of 4 position movable jumpers are provided for Heat, Cool, and Adjust taps for a variable speed motor. These tap jumpers apply signals to the ECM motor without other interaction with the control board.

If the blower speeds require adjustment, follow these steps:

1. Remove the blower compartment door.
2. To adjust the airflow, remove the COOL or HEAT jumper from position A, and place it on the corresponding letter B, C, or D. Refer to Table 7A and 7B.

Moving the ADJUST jumper from the NORM to the (+) or (-) position will cause the airflow to be increased or lowered by 15%.

The TEST position on the ADJUST tap is not used.

H22.6.2D

**NOTE:**  
Temperature rise should always be re-checked whenever blower speed is changed. Airflow must not go above specified maximum in tables below.

**TABLE 11A - AIRFLOW (W1-LOW HEAT)**

	WUV040T2AA-N	WUV060T3AA-N	WUV080T3AA-N	WUV080T4BA-N	WUV100T5BA-N	WUV120T5BA-N
	ESP: 0.10" WC - 0.50" WC	ESP: 0.12" WC - 0.50" WC	ESP: 0.20" WC - 0.50" WC			
Heat Jumper	CFM					
A (MAX)	405	608	802	786	1134	1306
B	N/A					
C	342	566	675	748	972	1068
D			617	656	890	923

**TABLE 11B - AIRFLOW (W2-HIGH HEAT)**

	WUV040T2AA-N	WUV060T3AA-N	WUV080T3AA-N	WUV080T4BA-N	WUV100T5BA-N	WUV120T5BA-N
	ESP: 0.10" WC - 0.50" WC	ESP: 0.12" WC - 0.50" WC	ESP: 0.20" WC - 0.50" WC			
Heat Jumper	CFM					
A (MAX)	607	928	1149	1225	1628	1833
B	N/A					
C	554	773	1024	1106	1399	1588
D	495	718	963	1018	1311	1394

H12.7.5A

TABLE 7A - AIR FLOW (Y1-LOW COOL)

Cool Jumper	WUV040T2AA-N		WUV060T3AA-N		WUV080T3AA-N		WUV080T4BA-N		WUV100T5BA-N		WUV120T5BA-N	
	ESP: 0.10" WC - 0.50" WC		ESP: 0.12" WC - 0.50" WC		ESP: 0.20" WC - 0.50" WC							
	A/C Ton	CFM	A/C Ton	CFM	A/C Ton	CFM	A/C Ton	CFM	A/C Ton	CFM	A/C Ton	CFM
A (MAX)	2.5T	554	3.0T	871	3.0T	880	4.0T	1109	5.0T	1309	5.0T	1366
B	2.0T	479	2.5T	694	2.5T	696	3.0T	815	4.0T	928	4.0T	1070
C	1.5T	342	2.0T	563	2.0T	570	2.5T	666	3.0T	660	3.0T	791
D	N/A		1.5T	566	1.5T		2.0T	540	2.5T	592	2.5T	666

TABLE 7B - AIR FLOW (Y2-HIGH COOL)

Cool Jumper	WUV040T2AA-N		WUV060T3AA-N		WUV080T3AA-N		WUV080T4BA-N		WUV100T5BA-N		WUV120T5BA-N	
	ESP: 0.10" WC - 0.50" WC		ESP: 0.12" WC - 0.50" WC		ESP: 0.20" WC - 0.50" WC							
	A/C Ton	CFM	A/C Ton	CFM	A/C Ton	CFM	A/C Ton	CFM	A/C Ton	CFM	A/C Ton	CFM
A (MAX)	2.5T	751	3.0T	1201	3.0T	1238	4.0T	1680	5.0T	1984	5.0T	2070
B	2.0T	651	2.5T	1013	2.5T	1024	3.0T	1235	4.0T	1406	4.0T	1621
C	1.5T	495	2.0T	823	2.0T	834	2.5T	1009	3.0T	1000	3.0T	1199
D	N/A		1.5T	630	1.5T	632	2.0T	818	2.0T	897	2.5T	1009

**NOTE**

Airflow based on approximately 375-400 CFM/Ton. Refer to Figure 34 in the manual.

H12.1.14A

FIGURE 33 - INTEGRATED FURNACE IGNITION CONTROL

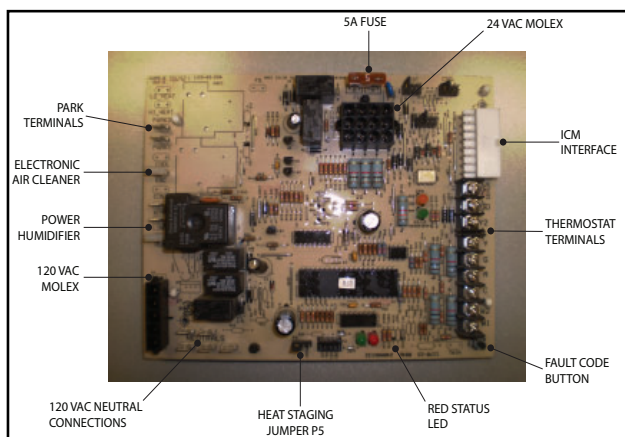
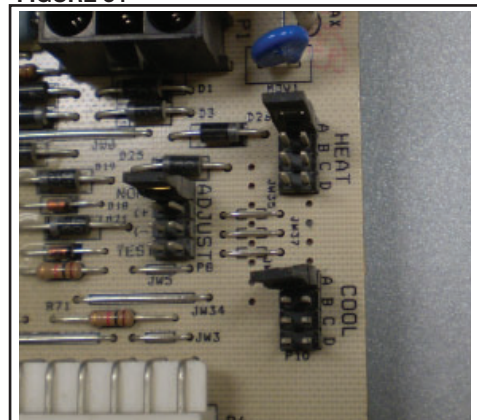


FIGURE 34



## 18.4 DEHUMIDIFICATION

For situations where humidity control is a problem, a dehumidification feature has been built into the variable speed motor. At the start of each cooling cycle, the variable speed motor will run at 82% of the rated airflow for 7.5 minutes. After 7.5 minutes has elapsed, the motor will increase to 100% of the rated airflow.

There are three jumper wires in front of the thermostat input terminal block that are used in different applications. These jumper wires may be cut or clipped when the option is not desired.

- The JW38 jumper not clipped, connects Y1 to Y2 so that the ECM motor only recognizes one input, when using a single stage thermostat. If you are connecting a single stage A/C unit, input can be on either the Y or Y2 terminal. If you are connecting a two stage A/C unit, the JW38 jumper must be clipped (1st stage cool Y1, 2nd stage cool Y2).
- The JW39 jumper not clipped, connects O to R for using a heat pump in the non-heat pump mode (cooling only). If the JW39 jumper is clipped, the heat pump will run in heat pump mode.
- The JW40 jumper not clipped, connects DEHUM to R for dehumidification active all the time. With the JW40 jumper clipped, the thermostat, or humidistat controls dehumidification.

H22.4A

## 18.5 BLOWER “ON” AND “OFF” TIMINGS

Blower on/off delays are handled by ECM motor programming. The control de-energizes the ECM heat signal when the gas valve de-energizes. Features of this ECM variable speed motor are that it will deliver a constant airflow within a wide range of external static pressures, and also includes:

**Soft Start:** This ECM variable speed motor will slowly ramp up to the required operating speed. This feature in the heating cycle allows the heat exchanger to reach operating temperature before the set heat speed, which minimizes noise and increases comfort.

**Soft Stop:** At the end of the heating or cooling cycle, the ECM variable speed motor will slowly ramp down. This feature allows for increased energy efficiency, and reduced noise levels.

---

H22.5

## 18.6 CONTINUOUS FAN OPERATION

When the thermostat continuous fan (G) switch is on without a call for heat or cooling, the indoor fan is immediately energized up to 50% of the cooling speed. The fan remains energized as long as the call for fan remains without a call for heat or cooling. This feature allows continuous circulation of air between calls for heating or cooling.

If a call for heat (W) occurs during continuous fan, the blower will remain energized, the call for heat overrides the call for fan.

If a call for cool (Y) occurs simultaneously with the call for fan (G), the call for cool overrides the call for fan.

See Air Flow Data table.

---

H22.3.2A

## 19.0 MAINTENANCE AND TROUBLESHOOTING

### ⚠ WARNING ⚠

**DISCONNECT THE ELECTRICAL POWER SUPPLY TO THE FURNACE BEFORE ATTEMPTING ANY MAINTENANCE. FAILURE TO DO SO CAN CAUSE ELECTRICAL SHOCK RESULTING IN PERSONAL INJURY OR LOSS OF LIFE.**

### ⚠ CAUTION ⚠

**LABEL ALL WIRES PRIOR TO DISCONNECTION WHEN SERVICING CONTROLS. WIRING ERRORS CAN CAUSE IMPROPER AND DANGEROUS OPERATION. ALWAYS VERIFY PROPER OPERATION AFTER SERVICING.**

H3.25

### 19.1 AIR FILTER

The air filter should be inspected frequently and cleaned or replaced as necessary. We recommend a monthly inspection at first, perhaps coinciding with the arrival of the monthly fuel bill as a reminder. The frequency may be increased or decreased depending on experience and conditions.

Dirty filters result in higher than normal operating temperatures, and lower efficiency.

Some paper media high efficiency filters, sometimes identified as HEPA filters can do an effective and excellent filtration of the air; however, some models may also cause a large pressure drop across the filter. The contractor should assess the capabilities of the duct system to deliver sufficient air flow if this type of filter is considered.

**RECOMMENDED:** Electronic air cleaners using electrostatic precipitation to remove dust are an excellent filtration device when used in conjunction with a pre-filter. A 16" x 25" (406mm x 635mm) model is an ideal fit with this furnace in the case of a side mounted return air inlet. The integrated furnace control is supplied with an electrical terminal for use with electronic air cleaners.

#### **NOTE**

If two return air inlets are used, both must be equipped with filters.

### ⚠ CAUTION ⚠

**DO NOT OPERATE THE FURNACE FOR PROLONGED PERIODS OF TIME WITHOUT AN AIR FILTER.**

**A PORTION OF THE DUST ENTRAINED IN THE AIR MAY LODGE IN THE SUPPLY AIR DUCTWORK AND REGISTERS. ANY RECIRCULATED DUST PARTICLES WILL BE HEATED AND CHARRED BY CONTACT WITH THE FURNACE HEAT EXCHANGER. THIS RESIDUE WILL SOIL CEILINGS, WALLS, DRAPERY, CARPETS, AND OTHER HOUSEHOLD ARTICLES.**

H23.1

### 19.2 LUBRICATION

Both the exhauster motor and circulating fan motor are sealed bearing type motors. Neither requires routine lubrication. Excess lubrication will void the warranty, shorten the service life of the motors, and will attract the buildup of dust and dirt.

H23.2.3

### 19.3 CLEANING

It is advisable to keep dust build-up on warm surfaces to a minimum, since dust, in some cases, can be a combustible.

Dust build-up in the circulating fan can impair blower performance; therefore, reduce efficiency.

The recovery coil is located immediately above the blower assembly. Over time, it may become coated with dust. To clean the recovery coil:

1. Turn off electrical power to the furnace.
2. Remove the heat exchanger access door and the blower access door
3. Remove the screw thread covers of the screws attaching the heat exchanger to the division panel and blower assembly.
4. Remove the screws fastening the blower assembly to the division panel and heat exchanger assembly using a 1/4" hex drive.

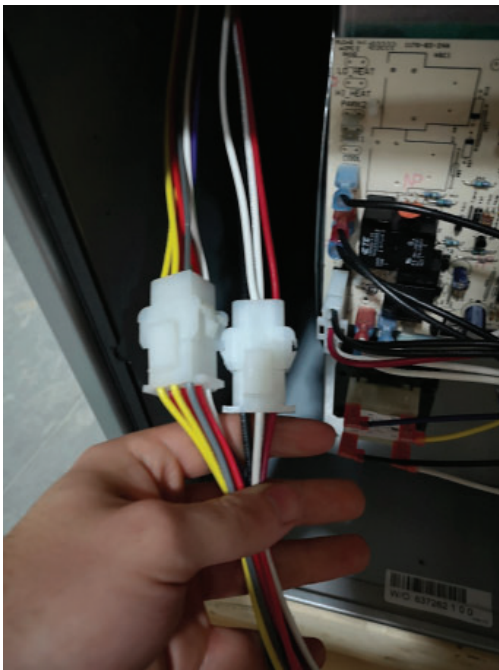
## ⚠ CAUTION ⚠

LABEL ALL WIRES PRIOR TO DISCONNECTION WHEN SERVICING CONTROLS.  
WIRING ERRORS CAN CAUSE IMPROPER AND DANGEROUS OPERATION.

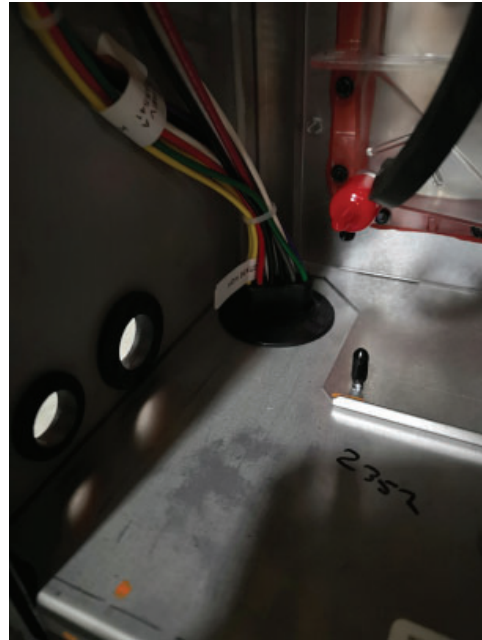
ALWAYS VERIFY OPERATION AFTER SERVICING.

5. Remove the drain hoses from the condensate trap and ensure any spillage is cleaned up.
6. Unplug wire harness connectors and remove the upper harness from the division panel by rotating the twist-lock grommet counter-clockwise and pulling the connector through the clearance hole (*Figure 4 & 5*).

**FIGURE 4**



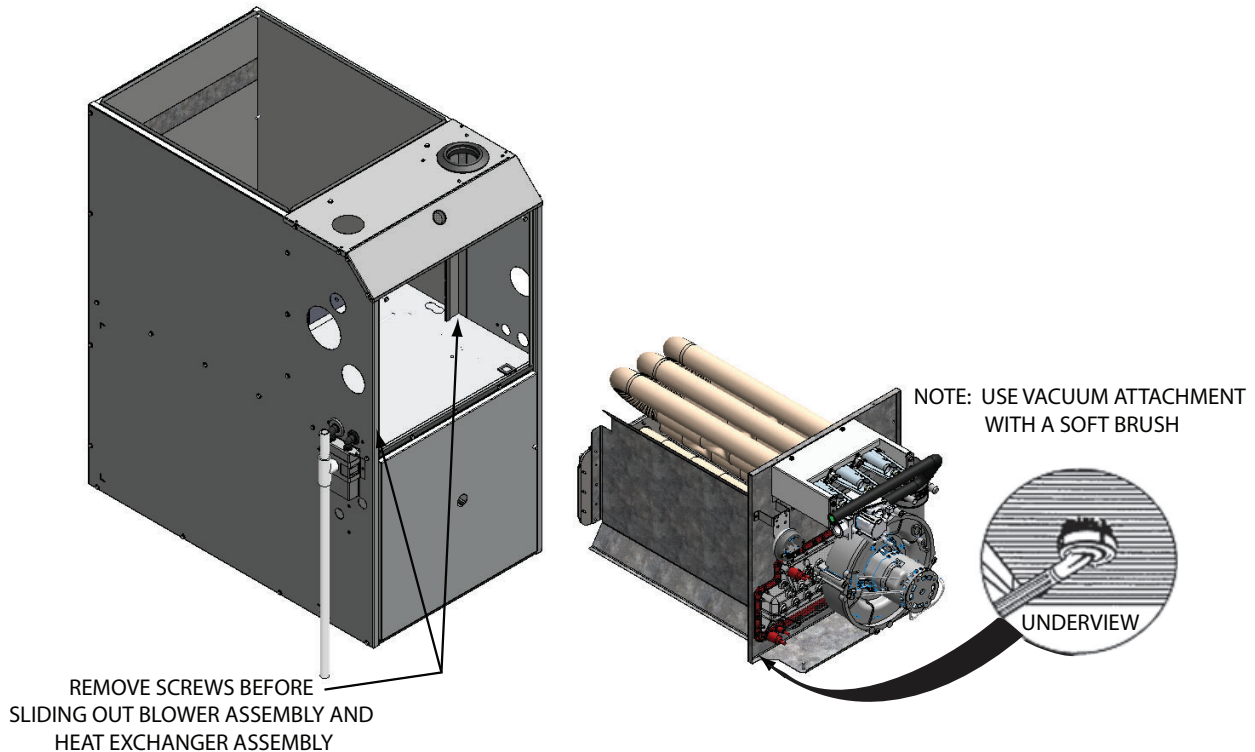
**FIGURE 5**



7. Pull the heat exchanger assembly out.

8. Once the heat exchanger assembly has been removed, the coils may be vacuumed with the soft brush attachment. (Figure 6)

FIGURE 5



9. Once cleaning is complete, slide the heat exchanger back into its original position using the screw holes on the division panel for alignment.
10. Re-fasten the screws to attach the blower assembly to the division panel and the heat exchanger assembly (screws fastened from lower vestibule through to the upper vestibule) and place thread covers.
11. Feed the wire connectors through to the lower vestibule, secure to the division panel using the twist-lock grommet and re-connect the connectors to the harness in the lower vestibule.
12. Hook up the condensate drain lines for proper drainage.
13. Replace the blower access and heat exchanger access doors.
14. Restore electrical power to the furnace.
15. Routine cleaning of the interior of the recovery coil should not be necessary. If evidence develops indicating that a cleaning is necessary, it should be done by a trained and qualified service technician. Evidence may induce large amounts of dirt or debris building up in the condensate drain line.

**IMPORTANT:**

Be careful not to bend the fins when cleaning. You may wish to leave this maintenance procedure to your service technician.

H27.6.4

**⚠ WARNING ⚠**

**ALWAYS DISCONNECT THE ELECTRICAL SUPPLY TO THE FURNACE BEFORE REMOVING THE BURNER COMPARTMENT ACCESS DOOR.**

H3.30

**⚠ CAUTION ⚠**

THE FURNACE GAS TRAIN IS DESIGNED TO OPERATE AS A SEALED UNIT. BE SURE THAT THE BURNER COMPARTMENT ACCESS DOOR IS PROPERLY IN PLACE BEFORE ATTEMPTING TO RESTART THE FURNACE.

The furnace achieves its high efficiency in three general areas. First, there is no wasteful standing pilot. The furnace consumes no gas in between cycles. Secondly, the furnace is designed to allow very small amounts of excess air in the combustion process. Older furnaces had heat exchangers which were commonly 40% larger than necessary for complete combustion. While this prevented the creation of carbon monoxide, the heated excess air was expelled up the chimney where it could not benefit the interior of the home. Special safety controls now prevent the formation of carbon monoxide.

The third general area is the recovery of the latent heat contained in the flue gas, which is comprised of water vapor and carbon dioxide. By condensing the flue gas in the furnace recovery coil, heat that would otherwise be wasted to the outdoors, is captured and redirected into the duct system where it contributes to home comfort. Each pound of condensation formed releases approximately 970 Btu's. Your furnace may condense up to 1/2 gallon (1.89L) (5 pounds) (2.27kg) of water per hour if running continuously.

This condensation must be properly disposed into a sump or drainage system. The condensate lines must remain clear and free flowing. Do not allow plastic drain lines to become pinched or kinked. A blocked drain line can cause the furnace to operate erratically, or not at all.

**IMPORTANT:**

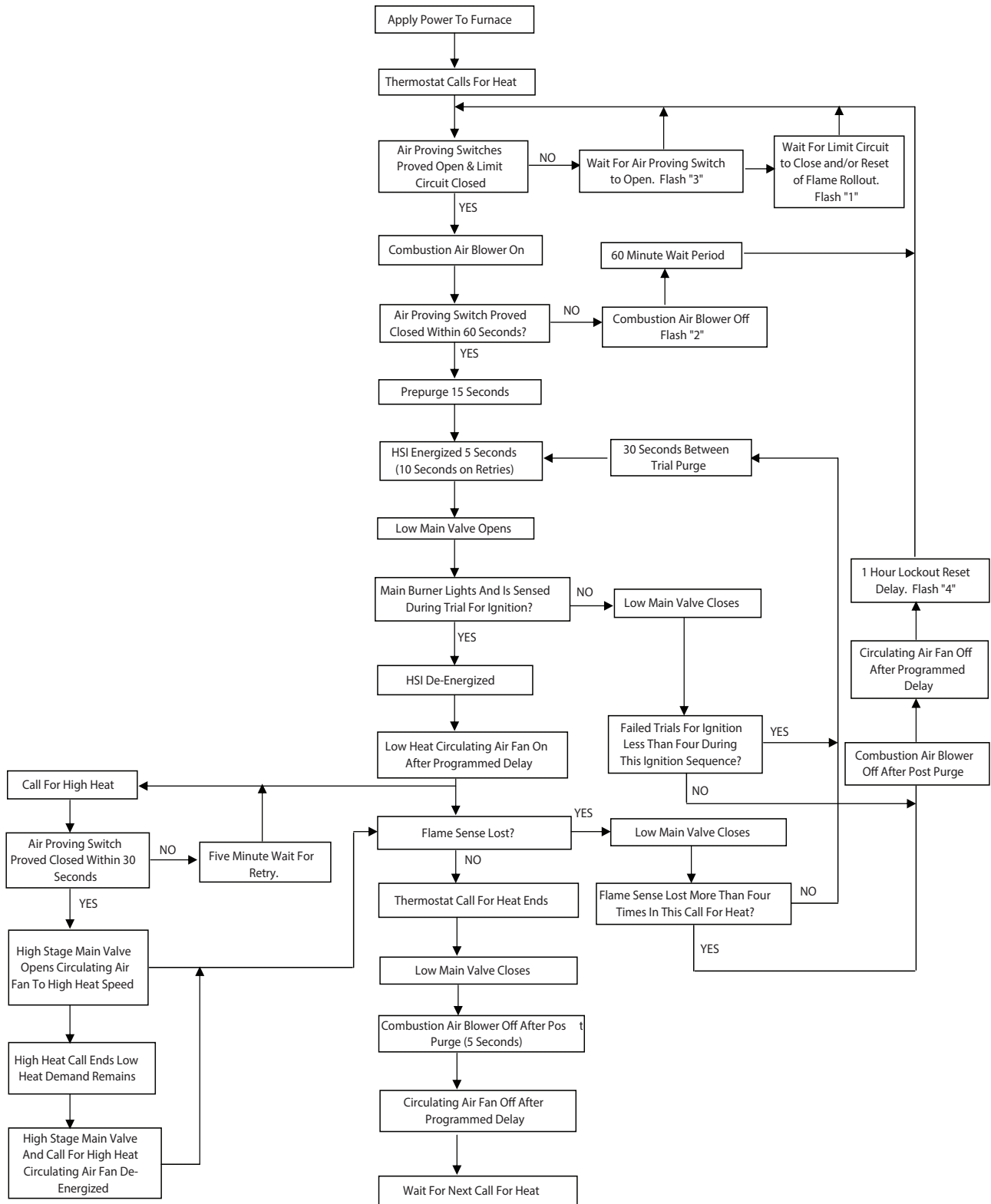
**Your furnace should be cleaned and inspected annually by a trained and qualified service technician. Your service technician has the knowledge and test equipment to determine the condition of your furnace.**

---

H27.6.2

# 19.4 TROUBLESHOOTING FLOWCHART

## SEQUENCE OF OPERATION Troubleshooting Flowchart



H23.3.2

## 19.5 DIAGNOSTIC CODES FOR STATUS LED

STATUS LED	FAULT CONDITION
<b>Red LED (AN1) indicates following codes:</b>	
LED OFF	No power to control or control hardware fault detected
LED ON	Normal operation
1 Flash	High limit switch open
2 Flashes	Pressure switch open with inducer on
3 Flashes	Pressure switch closed with inducer off
4 Flashes	Control in 1 hour lockout
5 Flashes	L1/Neutral Polarity problem
6 Flashes	Too many limit trips within one call for heat
7 Flashes	Pressure switch cycle lockout
8 Flashes	Lockout due to too many flame dropouts
9 Flashes	Not used
10 Flashes	Flame present with gas valve off
<b>A green LED (AN2) is provided to indicate high heat state</b>	
LED OFF	No demand for high heat
LED ON	High heat demand, operating normally
LED Flashing	High heat demand, high pressure switch not closed

H23.4.2B

## 19.6 FAULT CODE HISTORY

The control stores the last 5 fault codes in memory. When the push button switch is pressed, the control will flash the stored fault codes when the switch is released. The most recent fault code is flashed first, the oldest last.

Fault history may be cleared by holding the push button switch for more than 5 seconds.

H23.5

## 19.7 INTERNAL LIGHTING SYSTEM

This series is equipped with internal LED service lights. One is located in the upper vestibule and the other is located in the lower blower vestibule. These lights are only activated when the bottom door is removed and the door switch is deactivated. The purpose of the interior lighting is to ease servicing the unit.

H23.6.1A

## 19.8 UV LAMP REPLACEMENT

This furnace series comes equipped with an ultraviolet lamp located on the right side of the heat exchanger. This unit helps to reduce the number of bacteria within the household and also helps to clear the “A” coil for your air conditioning system of mold and germs, increasing its efficiency and reducing electrical consumption.

The supplied bulbs have an approximate operating life of 9,000 hours (approximately one year with continuous fan). In order to remain effective, this bulb must be replaced at the appropriate interval. Instructions to do so are as follows:

1. Switch off power to the furnace.
2. Remove the bottom door of the furnace.
3. Using 1/4" socket driver, remove the single mounting screw that retains the lamp bracket to the blower division. The bulb unit can now be removed from the furnace. Be careful not to break the existing bulb when removing it through the blower division.



FIGURE 23

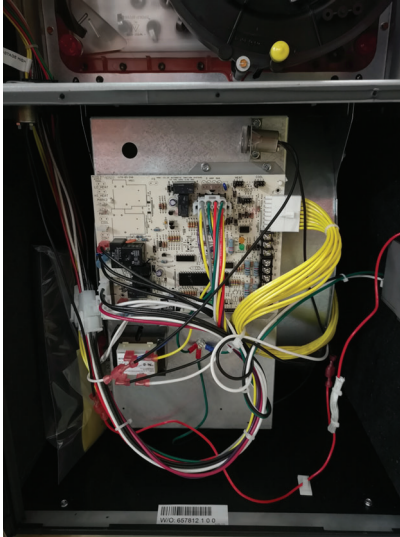
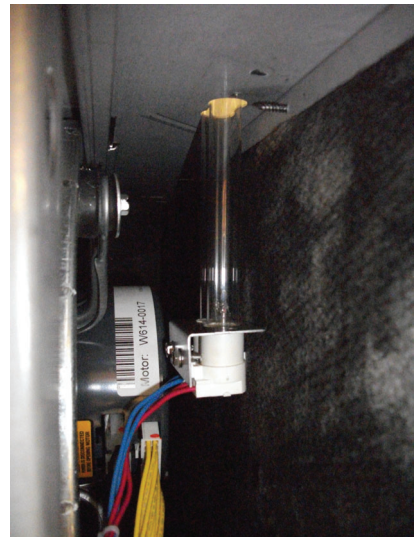


FIGURE 24



FIGURE 25



4. Using a 5/16" socket driver remove the two screws in the side of lamp bracket. The socket is now free and the bulb can be removed.

FIGURE 26A

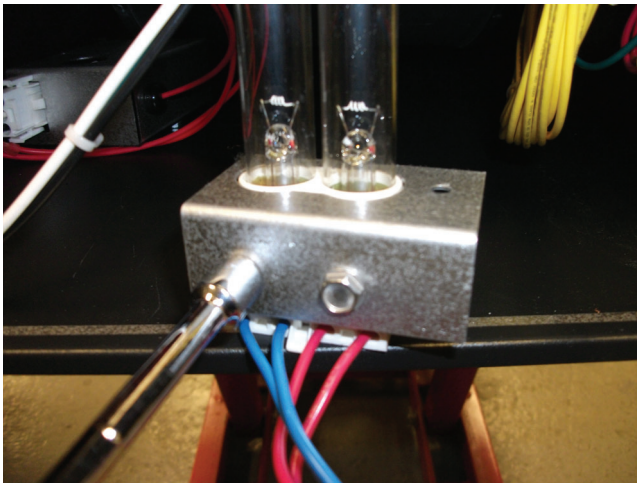
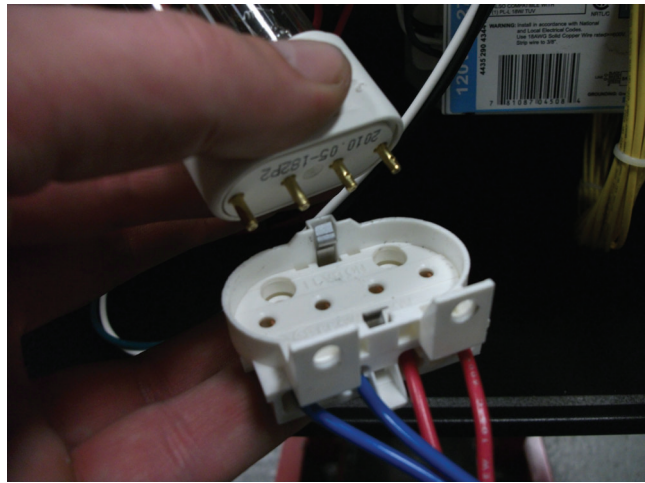


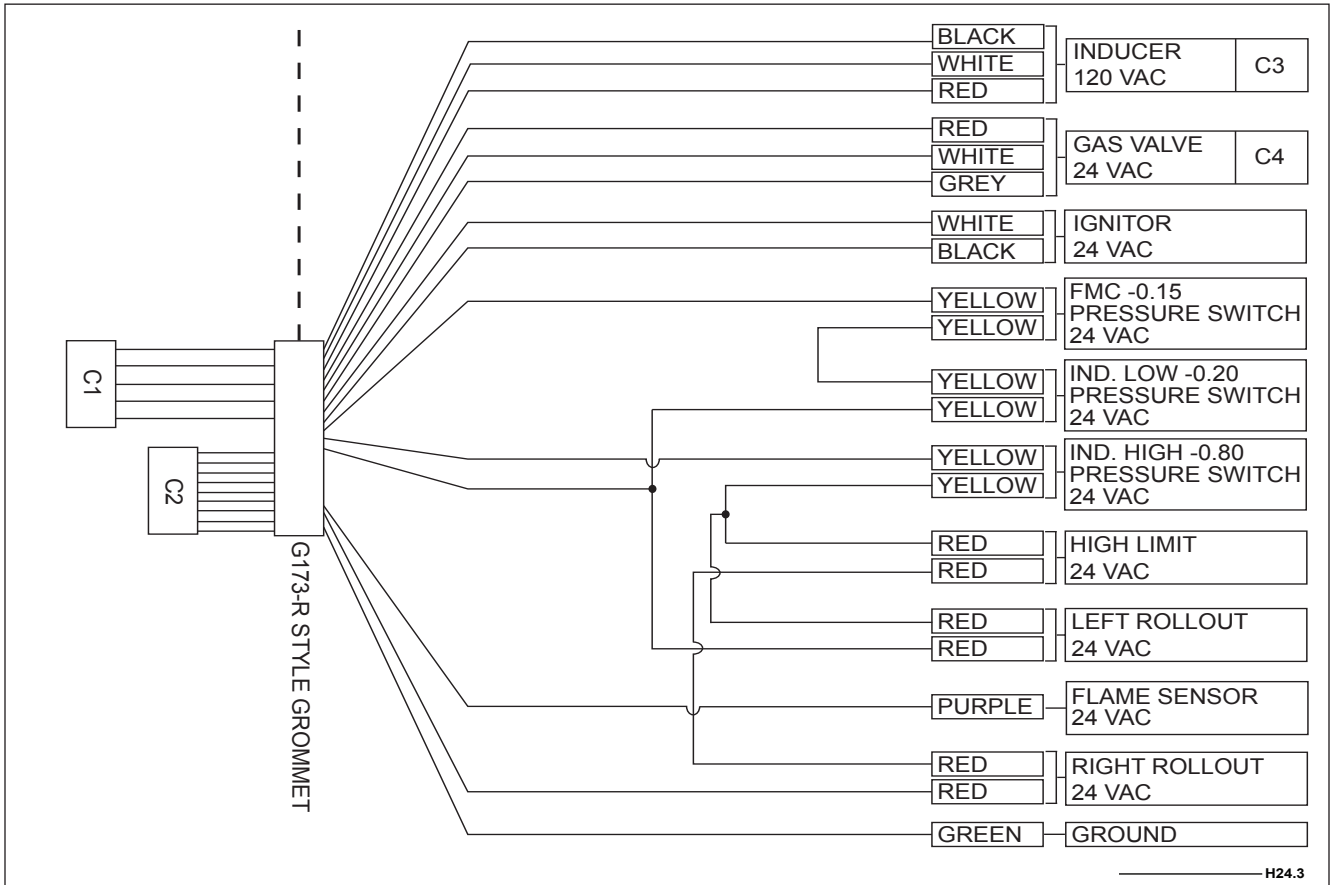
FIGURE 27



5. Replace with new bulb and reverse Steps 1 through 4 for installation.

H23.7.3

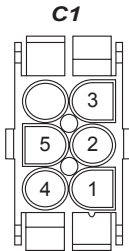
# 20.0 WIRE DIAGRAM FOR TWO STAGE FURNACE



H24.3

**C1**  
HOUSING VIEW FROM OPPOSITE OF WIRE INSERTION END  
PLASTIC 6-PIN HOUSING  
AMP 1-480705-0  
METAL CONTACT TERMINAL MALE PIN  
AMP# 350218-1  
5 REQUIRED

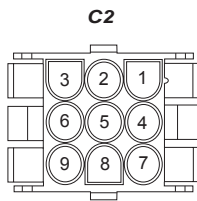
POSITION	COLOUR	LEAD NUMBER
1	BLACK	1
2	WHITE	2
3	RED	3
4	BLACK	4
5	WHITE	5
6	EMPTY	



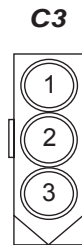
H24.6

**C2**  
HOUSING VIEW FROM OPPOSITE OF WIRE INSERTION END  
PLASTIC 9-PIN HOUSING  
AMP 1-480707-0  
METAL CONTACT TERMINAL MALE PIN  
AMP# 350218-1  
9 REQUIRED

POSITION	COLOUR	LEAD NUMBER
1	GREY	6
2	YELLOW	7
3	YELLOW	8
4	RED	9
5	RED	10
6	RED	11
7	WHITE	12
8	GREEN	13
9	VIOLET	14

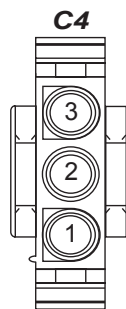


H24.7



**C3**  
HOUSING VIEW FROM OPPOSITE OF WIRE INSERTION END  
PLASTIC 3-PIN HOUSING  
AMP 440070-1  
METAL CONTACT TERMINAL FEMALE SOCKET  
AMP# 350415-1  
3 REQUIRED

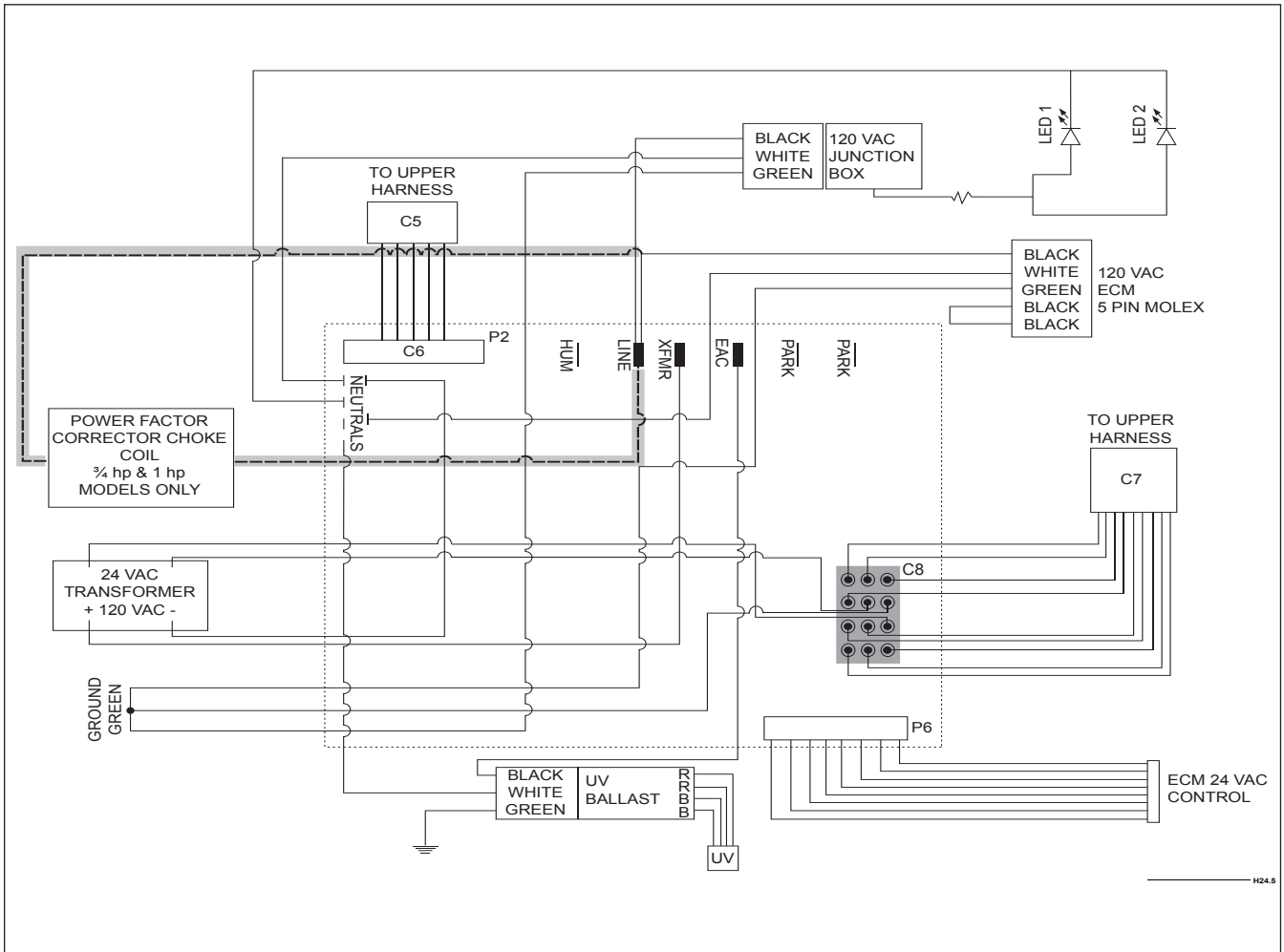
	POSITION	COLOUR	LEAD NUMBER
HIGH	1	BLACK	1
COMMON	2	WHITE	2
LOW	3	RED	3



**C4**  
HOUSING VIEW FROM OPPOSITE OF WIRE INSERTION END  
PLASTIC 3-PIN HOUSING  
AMP 480700  
TERMINAL HOUSING FEMALE SOCKET  
AMP# 350536-1  
3 REQUIRED

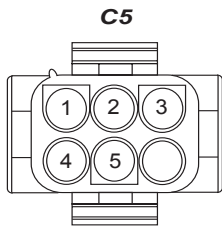
	POSITION	COLOUR	LEAD NUMBER
LOW	1	RED	9
COMMON	2	WHITE	12
HIGH	3	GREY	6

H24.9



**C5**  
HOUSING VIEW FROM OPPOSITE OF WIRE INSERTION END  
PLASTIC 6-PIN HOUSING  
AMP 1-480704-0  
METAL CONTACT TERMINAL FEMALE SOCKET  
AMP# 350536-1  
5 REQUIRED

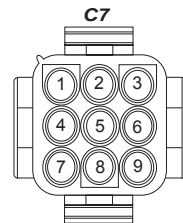
POSITION	COLOUR	LEAD NUMBER
1	BLACK	1
2	WHITE	2
3	RED	3
4	BLACK	4
5	WHITE	5
6	EMPTY	



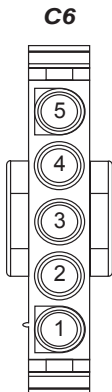
H24.10

**C7**  
HOUSING VIEW FROM OPPOSITE OF WIRE INSERTION END  
PLASTIC 9-PIN HOUSING  
AMP 1-480706-0  
METAL CONTACT TERMINAL FEMALE SOCKET  
AMP# 350536-1  
9 REQUIRED

POSITION	COLOUR	LEAD NUMBER
1	GREY	6
2	YELLOW	7
3	YELLOW	8
4	RED	9
5	RED	10
6	RED	11
7	WHITE	12
8	GREEN	13
9	VIOLET	14



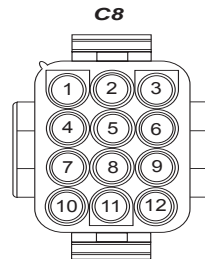
H24.12



**C6**  
HOUSING VIEW FROM OPPOSITE OF WIRE INSERTION END  
PLASTIC 5-PIN HOUSING  
AMP 350809-1  
METAL CONTACT TERMINAL FEMALE SOCKET  
AMP# 350536-1  
5 REQUIRED

POSITION	COLOUR	LEAD NUMBER
1	BLACK	4
2	BLACK	1
3	RED	3
4	WHITE	2
5	WHITE	5

H24.11



**C8**  
HOUSING VIEW FROM OPPOSITE OF WIRE INSERTION END  
PLASTIC 12-PIN HOUSING  
AMP 1-480708-0  
METAL CONTACT TERMINAL FEMALE SOCKET  
AMP# 350536-1  
12 REQUIRED

POSITION	COLOUR	LEAD NUMBER
1	GREY	6
2	YELLOW	8
3	VIOLET	14
4	GREEN	15
5	YELLOW	16
6	RED	10
7	RED	9
8	WHITE	12
9	YELLOW	17
10	GREEN	13
11	RED	11
12	YELLOW	7

H24.13

# 21.0 WARRANTY

Napoleon products are designed with superior components and materials, assembled by trained craftsmen who take great pride in their work. The complete appliance is again thoroughly inspected by a qualified technician before packaging to ensure that you, the customer, receives the quality product that you expect from Napoleon.

## NAPOLEON GAS FURNACE PRESIDENT'S LIMITED LIFETIME WARRANTY

This heating unit is warranted by Wolf Steel Ltd. ("Napoleon") to be free from defects in materials and workmanship under normal use and maintenance.

### PRESIDENT'S LIMITED WARRANTY (Registered)

To the original registered owner and his or her spouse ("owner"), the **HEAT EXCHANGER\*** is warranted for the owner's **LIFETIME** or so long as the owner owns the home in which the unit was originally installed, and **all remaining parts** as warranted for a period of **10 YEARS**, except as provided below. These warranties apply only if:

- The unit is installed in an owner-occupied, primary single family residence, and
- The unit is properly registered with Napoleon online within 60 days after the original installation. To register, go to [www.napoleonheatingandcooling.com](http://www.napoleonheatingandcooling.com). Some states and provinces do not allow limitations on how long an implied limited warranty lasts or do not allow the exclusion or limitation of incidental or consequential damages, so the above limitation or exclusion may not apply to you. This limited warranty gives you specific legal rights, and you may also have other rights which vary by jurisdiction.

With respect to the Heat Exchanger, if the heat exchanger fails within:

- the first 10 years for 9500 / 9600 Series
- the first 15 years for 9700 Series

Napoleon will, at its discretion, provide a new equivalent gas furnace. After the 10 years (15 years - 9700 Series), Napoleon may choose to credit its prorated wholesale value towards the purchase of a new Napoleon furnace.

### OR

### LIMITED WARRANTY (Not Registered)

If not registered within 60 days, the **HEAT EXCHANGER** is warranted for a period of **20 YEARS** (pro rated), and all remaining parts are warranted for a period of **5 YEARS**, all other limitations apply.

With respect to the heat exchanger, Napoleon at its discretion, after 5 years may choose to provide a credit towards a replacement Napoleon gas furnace.

Proof of purchase will be required. Replacements are subject to review and verification by a Napoleon representative.

Warranty ceases to exist if the unit is removed from the location where it was originally installed.

This limited warranty will not apply unless the gas furnace is: (1) installed by a licensed or qualified HVAC technician, (2) installed in accordance with the manufacturer's recommendations in its Installation and Operation Manual, and (3) in compliance with all industry standards, national, provincial/state, and local codes.

Regardless of time of registration, the warranty period begins on the date of the original installation. Where a product is installed in a newly constructed home; the date of installation is the date the homeowner takes possession of the home from the builder. If that date cannot be verified, the warranty period begins three months after the month of manufacture (indicated by the first four digits of the serial number).

As its only responsibility, and your only remedy, Napoleon will furnish a replacement part, without charge for the part only, to replace any part that is found to be defective due to workmanship or materials under normal use and maintenance.

*\* "Heat Exchanger" means the primary combustion heat exchanger for the gas furnace and the secondary or tertiary heat exchanger. The plastic front manifold condensate collector attached to the secondary or tertiary heat exchanger is not considered part of the heat exchanger.*

To make a warranty claim, the defective part must be returned to a Napoleon heating and air conditioning products dealer/distributor by a certified or licensed contractor. Any part replaced pursuant to this warranty is warranted only for the unexpired portion of the warranty term applying to the original part.

These warranties do not apply to labour, freight, or any other cost associated with the service, repair or operation of the unit, and diagnostic costs.

Napoleon is not responsible for:

1. Cost or expenses incurred as a consequence of a faulty installation or application.
2. Damage or repairs required as a consequence of faulty installation or application.
3. Damages, defects or failures caused by installation that is not performed in compliance with all applicable federal, provincial, state laws or regulations, and Installation Operating Manual.
4. Damage as a result of vandalism, freight damage, floods, fires, winds, lightning, and accidents, or any acts of nature. Atmospheres contaminated by compounds of chlorine, halogenated hydrocarbons, or other damaging chemicals causing deterioration of components, or other conditions beyond the control of Napoleon.
5. Use of components or accessories not compatible with this unit.
6. Products installed outside Canada, or the United States and its territories.
7. Routine maintenance, but not limited to, cleaning of the coils, filter cleaning and/or replacement and lubrication.
8. Parts not supplied by Napoleon.
9. If unit is equipped with an ultraviolet bulb, the bulb is warranted for 90 days from date of install.
10. Damage or repairs required as a result of any improper use, maintenance, operation, servicing, cleaning or replacing air filters.
11. Failure to operate due to interruption and/or inadequate electrical service.
12. Damages, defects or failures caused by accidents or negligent or unreasonable use or operation of the unit and its' components, including without limitation, operation beyond rated capacity and operation of electrical components at voltage other than that specified on the rating plate.
13. Napoleon shall not in any event extend warranty coverage to any incidental, consequential or indirect damages.
14. Changes in the appearance of the unit that do not affect its performance.
15. Damages, defects or failures caused by operation of the unit in abnormal environmental conditions (i.e. salt air).
16. Damages, defects or failures caused by conditioned air (return air) supplied to the furnace being greater than 20% from out-of-doors (13°C/55°F min. return air temperature).
17. Damages, defects or failures caused by the furnace being installed downstream from a cooling coil.

### FOR HOMEOWNERS FUTURE REFERENCE

Model and Serial Number \_\_\_\_\_  
 (Serial number located on inside bottom door)  
 Installation Date \_\_\_\_\_

Dealer Name \_\_\_\_\_  
 Dealer's City/Province-State/Postal-Zip Code \_\_\_\_\_  
 Telephone/Fax \_\_\_\_\_  
 E-mail Address \_\_\_\_\_

For further information about this warranty, contact Napoleon Customer Solutions Department at 866-820-8686, email [hvac@napoleonproducts.com](mailto:hvac@napoleonproducts.com), or by mail to **WOLF STEEL™** 24 Napoleon Road, Barrie, Ontario L4M 0G8 Canada

[www.napoleonheatingandcooling.com](http://www.napoleonheatingandcooling.com)



11.01.18/CS

## 22.0 REPLACEMENT PARTS LIST

Contact your dealer or the factory for questions concerning prices and policies on replacement parts. Normally all parts can be ordered through your Authorized dealer / distributor.

**FOR WARRANTY REPLACEMENT PARTS, A PHOTOCOPY OF THE ORIGINAL INVOICE WILL BE REQUIRED TO HONOUR THE CLAIM.**

When ordering replacement parts always give the following information:

- Model & Serial Number of appliance
- Installation date of appliance
- Part number
- Description of part
- Finish

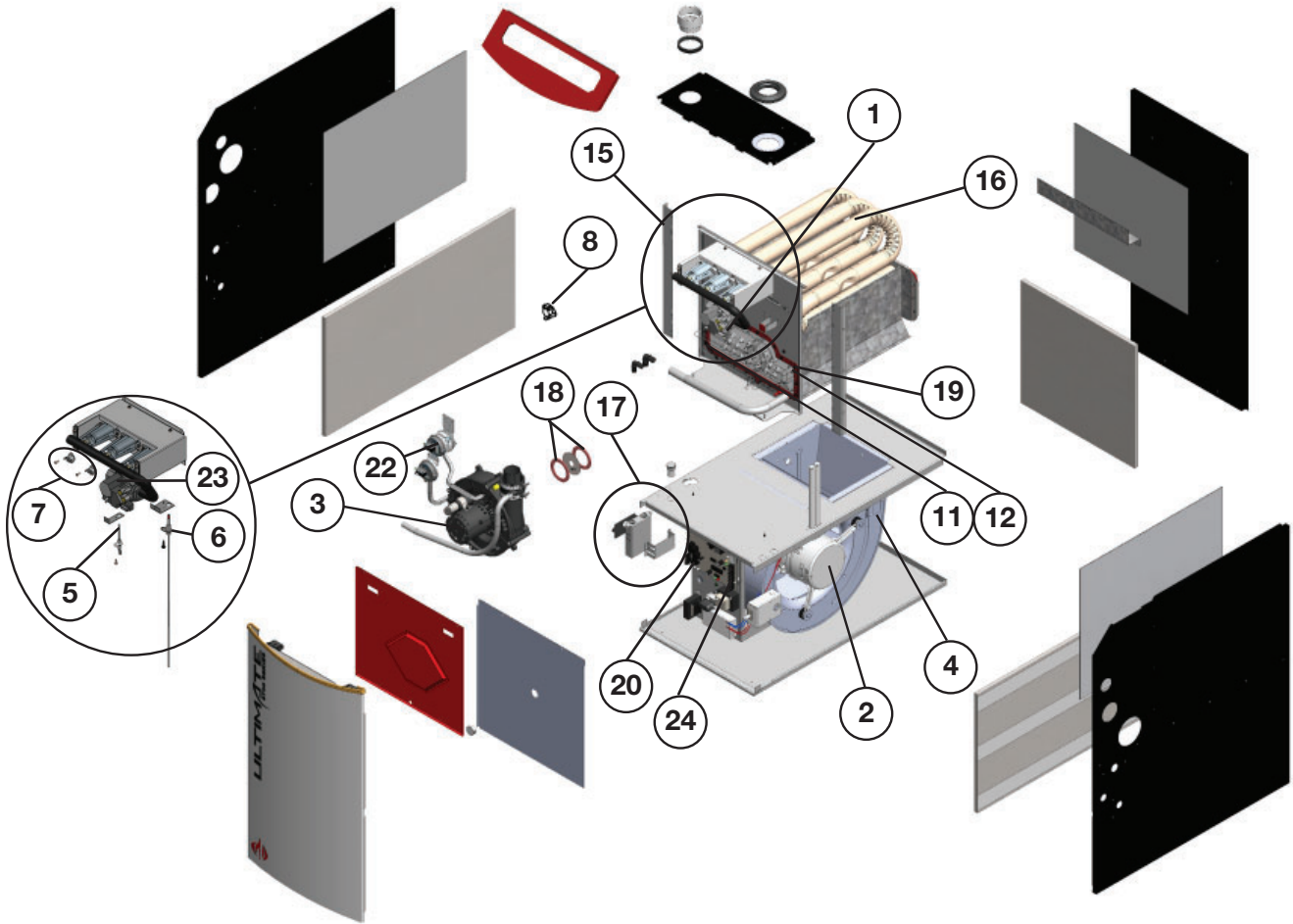
**FOR FURTHER INFORMATION, CONTACT YOUR AUTHORIZED DEALER.**

---

H41.1

### **WARNING**

**FAILURE TO POSITION THE PARTS IN ACCORDANCE WITH THIS MANUAL OR FAILURE TO USE ONLY PARTS SPECIFICALLY APPROVED WITH THIS APPLIANCE MAY RESULT IN PROPERTY DAMAGE OR PERSONAL INJURY.**



Items may not appear exactly as illustrated.

Ref. No	Part Number	Part Description	Stocked
1	W010-3494	ASSY, SMALL FMC W/O CHOKES 40/60/80	YES
1	W010-3495	KIT, LARGE FMC W/O CHOKES 100/120	YES
2	W010-4673	ASSY, MOTOR KIT 1/3HP 40	YES
2	W010-4664	ASSY, MOTOR KIT 1/2HP CC 60	YES
2	W010-4665	ASSY, MOTOR KIT 1/2HP CC 80-3	YES
2	W010-4674	ASSY, MOTOR KIT 1HP 80-4	YES
2	W010-4666	ASSY, MOTOR KIT 1HP 100	YES
2	W010-4675	ASSY, MOTOR KIT 1HP 120	YES
3	W062-0080-SER	EXHAUSTER, TWO SPEED (HIGH COLLAR)	YES
4	W062-0079-SER	BLOWER, 112-8R DD HOUSING	YES
4	W062-0082-SER	BLOWER, 112-6R DD HOUSING	YES
4	W062-0083-SER	BLOWER, 112-10R DD HOUSING	YES
5*	W010-2562	SENSOR, FLAME - REPLACEMENT	YES
6*	W357-0019-SER	IGNITER, KYOCERA - REPLACEMENT	YES
7*	W010-2568	SWITCH, BURNER ROLLOUTS REPL 350°F	YES
8	W010-2992	ASSY, 160 HIGH HEAT LIMIT KIT RPLC	
8	W010-2993	ASSY, 170 HIGH HEAT LIMIT KIT RPLC	
8	W010-2994	ASSY, 180 HIGH HEAT LIMIT KIT RPLC	YES
9	W707-0031-SER	TRANSFORMER, 120V 24V 40VA	YES
10*	W470-0024	PAINT, TOUCHUP RED	YES
11	W120-0075-SER	CAP, PRESSURE PORT RED	
12	W120-0076-SER	CAP, DRAIN PORT RED	
13*	W020-0647	FURNACE BAGGIE REPLACEMENT PARTS	YES
14*	W370-0018	KIT, CONVERSION NG TO LP	YES
14*	W370-0031	KIT, CONVERSION LP TO NG	

Ref. No	Part Number	Part Description	Stocked
15	W100-0250-SER	BURNER BOX, 40K 2STG	YES
15	W100-0249-SER	BURNER BOX, 60K 2STG	YES
15	W100-0251-SER	BURNER BOX, 80K 2STG	YES
15	W100-0254-SER	BURNER BOX, 100K 2STG	YES
15	W100-0255-SER	BURNER BOX, 120K 2STG	YES
16	W010-4783	ASSY, HEAT EXCHANGER, 40K	
16	W010-4563	ASSY, HEAT EXCHANGER, 60K	YES
16	W010-4564	ASSY, HEAT EXCHANGER 80K	YES
16	W010-4648	ASSY, HEAT EXCHANGER 100K	YES
16	W010-4677	ASSY, HEAT EXCHANGER 120K	YES
17	W010-2768	ASSY, CONDENSATE TRAP	YES
18	W290-0385-SER	GASKET CHOKE	YES
19	W290-0156	GASKET, FRONT MANIFOLD SM	
19	W290-0158	GASKET, FRONT MANIFOLD LG	YES
20	W010-2561	CONTROL, INTEGRATED ECM	YES
21*	W010-2563	FUSE, 5 AMP	YES
22	W010-2569	SWITCH, PRESSURE UNIT TRIPLE	YES
23*	W010-2573	VALVE, TWO STAGE	YES
24	W010-2571	TRANSFORMER, CHOKE COIL	YES
25	W010-2757	SWITCH, BLOWER DOOR 3 PRONG SDPT	YES
26	W010-2784	KIT, LED CABINET LIGHTS	YES
27	W010-3597	KIT, LED WHIT REPLACEMENT LIGHT	YES
28	W010-2785	KIT, UV LIGHT PURIFICATION	YES
29	W010-2810	KIT, UV REPLACEMENT BULB	YES





**INSTALLER: PLEASE FAMILIARIZE YOURSELF WITH VENTING/DRAINING SECTIONS OF THIS MANUAL BEFORE PROCEEDING WITH THE INSTALLATION. LEAVE THIS MANUAL WITH THE APPLIANCE FOR FUTURE REFERENCE.**

**CONSUMER: RETAIN THIS MANUAL FOR FUTURE REFERENCE.**



## USER'S INFORMATION MANUAL

UM

### WUV-N SERIES TWO STAGE HIGH EFFICIENCY (CONDENSING) FORCED AIR GAS FURNACE

#### SAFETY INFORMATION



#### ELECTRICAL SHOCK, FIRE OR EXPLOSION HAZARD

Failure to follow safety warnings exactly could result in serious injury, death or property damage.

Improper servicing could result in dangerous operation, serious injury, death or property damage.

- Installation and service must be performed by a qualified installer, service agency or the gas supplier.
- Before servicing, disconnect all electrical power to furnace.
- When servicing controls, label all wires prior to disconnecting. Reconnect wires correctly.
- Verify proper operation after servicing.
- Do not store or use gasoline or other flammable vapors and liquids in the vicinity of this or any other appliance.
- **WHAT TO DO IF YOU SMELL GAS:**
  - Do not try to light any appliance.
  - Do not touch any electrical switch; do not use any phone in your building.
  - Leave the building immediately.
  - Immediately call your gas supplier from a neighbour's phone. Follow the gas supplier's instructions.
  - If you cannot reach your gas supplier, call the fire department.



Patent pending

MANUFACTURER RESERVES THE RIGHT TO DISCONTINUE, OR CHANGE AT ANY TIME, SPECIFICATIONS OR DESIGNS WITHOUT NOTICE AND WITHOUT INCURRING OBLIGATIONS.

Wolf Steel Ltd., 24 Napoleon Rd., Barrie, ON, L4M 0G8 Canada /  
103 Miller Drive, Crittenden, Kentucky, USA, 41030  
Phone (705)721-1212 • Fax (705)722-6031 • www.napoleon.com • hvac@napoleon.com

H1.53A

# TABLE OF CONTENTS

<b>1.0</b>	<b>SAFETY SYMBOLS AND WARNINGS</b>	<b>67</b>
<b>2.0</b>	<b>SAFETY ISSUES</b>	<b>68</b>
2.1	GENERAL SAFETY RULES	70
<b>3.0</b>	<b>FURNACE OPERATION INFORMATION</b>	<b>72</b>
3.1	STARTING THE FURNACE	72
3.2	SHUTTING DOWN THE FURNACE	73
3.3	OPERATING TIPS	73
<b>4.0</b>	<b>ROUTINE MAINTENANCE BY HOMEOWNER</b>	<b>74</b>
4.1	AIR FILTER	74
4.2	ROUTINE EXAMINATION	74
4.3	ANNUAL INSPECTION/SERVICE	75
4.4	FURNACE APPEARANCE	75
4.5	SEQUENCE OF OPERATION - ECM EON	76
4.6	VARIATIONS	76
4.7	TERMINATIONS	76
<b>5.0</b>	<b>HOMEOWNER'S REFERENCE</b>	<b>77</b>

**IMPORTANT:**

**Read these instructions thoroughly before attempting to operate this furnace.**

**DO NOT DESTROY THIS MANUAL**

Please read carefully and keep in a safe place for future reference by a service technician.

**ATTENTION:**

TO REMOVE OUTER STAINLESS STEEL DOOR, FIRMLY GRAB DOOR SIDES AT THE TOP AND PULL OUT FROM CLIPS. PULL UPWARDS FROM BRACKETS IN BASE PANEL.  
TO REPLACE OUTER STAINLESS STEEL DOOR, ALIGN BRACKETS AT BOTTOM OF DOOR INTO SLOTS ON FURNACE BASE PANEL AND SECURE. ALIGN MALE CLIPS ON THE TOP OF THE DOOR TO THE FEMALE CLIPS ON THE FURNACE CABINET AND PUSH INTO PLACE.

H1.21.1A

## 1.0 SAFETY SYMBOLS AND WARNINGS

Understand and pay particular attention to the words DANGER, WARNING, and CAUTION and the following defined symbols are used throughout this manual to notify the reader of potential hazards of varying risk levels.

### **⚠ DANGER ⚠**

**INDICATES AN IMMINENTLY HAZARDOUS SITUATION WHICH, IF NOT AVOIDED, WILL RESULT IN DEATH OR SERIOUS INJURY.**

### **⚠ WARNING ⚠**

**INDICATES A POTENTIALLY HAZARDOUS SITUATION WHICH, IF NOT AVOIDED, COULD RESULT IN DEATH OR SERIOUS INJURY.**

### **⚠ CAUTION ⚠**

**INDICATES A POTENTIAL HAZARDOUS SITUATION WHICH, IF NOT AVOIDED, MAY RESULT IN MINOR OR MODERATE INJURY. IT MAY ALSO BE USED TO ALERT AGAINST UNSAFE PRACTICES.**

H3.3.1

### **⚠ WARNING ⚠**

**SHOULD OVERHEATING OCCUR OR THE GAS BURNERS FAIL TO SHUT OFF, CLOSE THE MANUAL GAS VALVE FOR THE FURNACE BEFORE SHUTTING OFF THE ELECTRICAL POWER TO THE FURNACE. FAILURE TO DO SO CAN CAUSE AN EXPLOSION OR FIRE RESULTING IN PROPERTY DAMAGE, PERSONAL INJURY OR LOSS OF LIFE.**

**BEFORE RESTARTING THE FURNACE, CHECK ALL PLASTIC VENTS AND WIRES FOR DAMAGE.**

H3.24

UM

## 2.0 SAFETY ISSUES

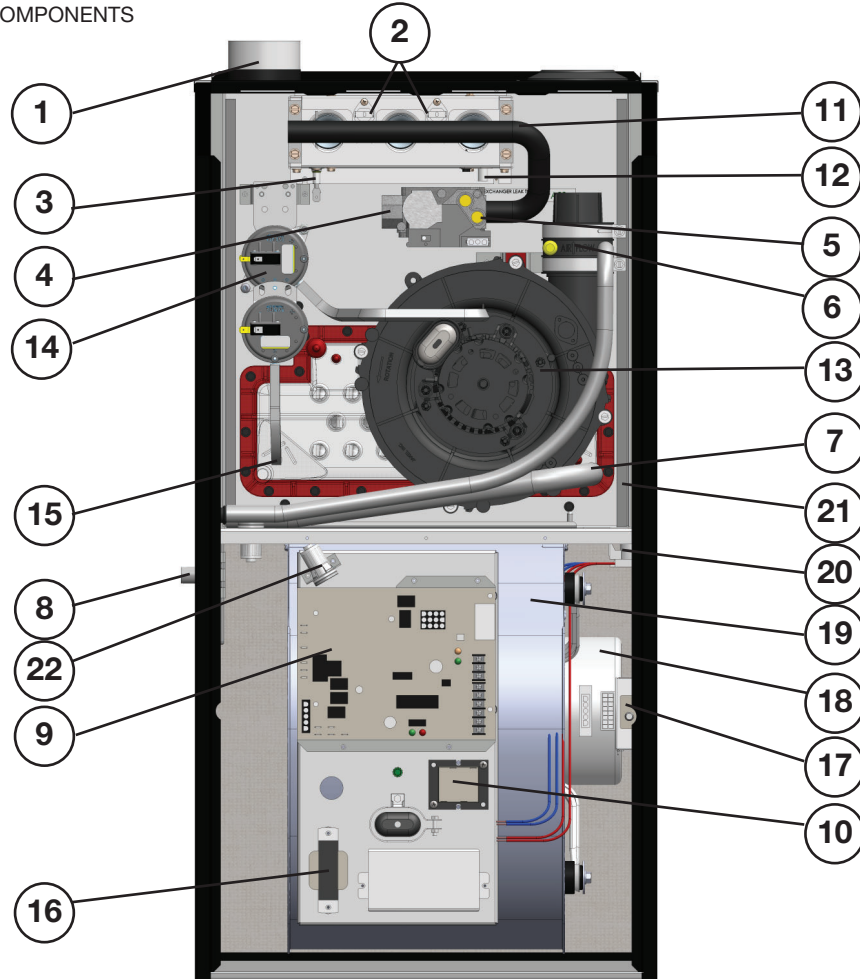
This furnace has been designed to deliver many years of efficient, dependable service. With regular maintenance, some of which requires the attention of a qualified installer, service agency or gas supplier, some of which you may do yourself, the furnace will operate satisfactorily over many heating seasons.

Please read this manual to familiarize yourself with safety procedures, operation, and routine maintenance procedures. Figure 1 is provided to help identify the components of your furnace.

Do not use this furnace if any part has been under water. A flood-damaged furnace is extremely dangerous. Attempts to use the furnace can result in fire or explosion. A qualified service agency should be contacted to inspect the furnace and to replace all gas controls, control system parts, electrical parts that have been wet or the furnace, if deemed necessary.

H25.0.1

FIGURE 1 - FURNACE COMPONENTS



### LEGEND

- |  |  |
|--|--|
| 1. Combustion Air Intake Fitting                           | 12. Hot Surface Igniter (HSI)                                    |
| 2. Flame Roll-Out Switch (2)                               | 13. Two Speed Exhauster  |
| 3. Flame Sensor - <i>located underneath</i>                | 14. Pressure Switch Assembly                                     |
| 4. Two Stage Gas Valve                                     | 15. Front Manifold Cover Pressure Tap (3)                        |
| 5. Supply Air High Temperature Limit<br>(behind gas valve) | 16. PFC "Choke Coil" (used on $\frac{3}{4}$ and 1 Hp units only) |
| 6. Vent and Drain (Assembly) Coupling                      | 17. Door Switch and Junction Box                                 |
| 7. Drain for Recovery Coil (3)                             | 18. Blower Motor   |
| 8. Condensate Trap (behind flange)                         | 19. Circulating Air Blower                                       |
| 9. Two Stage Integrated Furnace Control (IFC)              | 20. UV Light Ballast   |
| 10. Transformer for 24 VAC / 40 VA                         | 21. UV Light Bulb (behind panel)                                 |
| 11. Burner Assembly  | 22. LED Trouble Light (2)  |

**⚠ WARNING ⚠**

**FIRE OR EXPLOSION HAZARD - IF THE INFORMATION IN THESE INSTRUCTIONS IS NOT FOLLOWED EXACTLY, A FIRE OR EXPLOSION MAY RESULT, CAUSING PROPERTY DAMAGE, PERSONAL INJURY OR LOSS OF LIFE.**

H3.26

**⚠ WARNING ⚠**

**DO NOT STORE OR USE GASOLINE OR OTHER FLAMMABLE VAPORS AND LIQUIDS, OR OTHER COMBUSTIBLE MATERIALS IN THE VICINITY OF THIS OR ANY OTHER APPLIANCE.**

**WHAT TO DO IF YOU SMELL GAS**

- DO NOT TRY TO LIGHT ANY APPLIANCE.
- DO NOT TOUCH ANY ELECTRICAL SWITCH; DO NOT USE ANY PHONE IN YOUR BUILDING.
- IMMEDIATELY CALL YOUR GAS SUPPLIER FROM A NEIGHBOUR'S PHONE, OR A CELLULAR PHONE FROM A LOCATION WELL AWAY FROM THE BUILDING. FOLLOW THE GAS SUPPLIER'S INSTRUCTIONS.
- IF YOU CANNOT REACH YOUR GAS SUPPLIER, CALL THE FIRE DEPARTMENT.
- DO NOT RE-ENTER THE BUILDING UNTIL AUTHORIZED TO DO SO BY THE GAS SUPPLIER OR THE FIRE DEPARTMENT.

**IMPROPER INSTALLATION, ADJUSTMENT, ALTERATION, SERVICE OR MAINTENANCE CAN CAUSE INJURY, PROPERTY DAMAGE OR LOSS OF LIFE. REFER TO THIS MANUAL. INSTALLATION AND SERVICE MUST BE PERFORMED BY A QUALIFIED INSTALLER, SERVICE AGENCY OR THE GAS SUPPLIER.**

H3.27

**⚠ WARNING ⚠**

**IMPROPER INSTALLATION, ADJUSTMENT, ALTERATION, SERVICE OR MAINTENANCE CAN CAUSE PROPERTY DAMAGE, PERSONAL INJURY OR DEATH. FOR ASSISTANCE OR ADDITIONAL INFORMATION, CONSULT A QUALIFIED INSTALLER, SERVICE AGENCY, OR YOUR GAS SUPPLIER.**

H3.4.1

**⚠ WARNING ⚠**

**DEVICES ATTACHED TO EITHER THE VENT OR COMBUSTION AIR INTAKE FOR THE PURPOSES OF EXCEEDING THE LIMITATIONS DESCRIBED IN THE INSTALLATION MANUAL, INCLUDING FIELD INSTALLED INDUCED BLOWER FANS HAVE NOT BEEN TESTED AND ARE NOT INCLUDED IN THE DESIGN CERTIFICATION OF THE FURNACE.**

**THE MANUFACTURER CANNOT AND WILL NOT SPECULATE ON THE EFFECTS OF SUCH MODIFICATIONS AND CANNOT AND WILL NOT BE RESPONSIBLE FOR INJURY OR DAMAGE CAUSED BY THE USE OF SUCH UNTESTED AND/OR UNCERTIFIED DEVICES, ACCESSORIES OR COMPONENTS.**

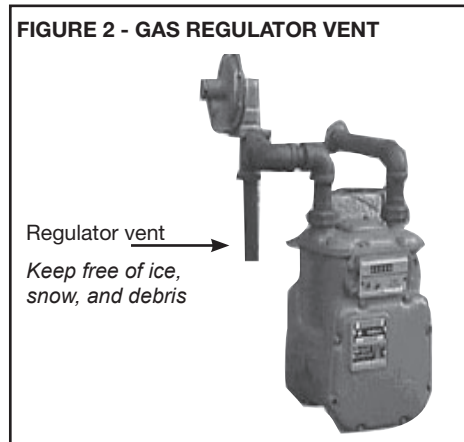
H3.28

Most natural gas systems and all LP gas systems have a service regulator located near the point where the gas piping enters the building.

The propane tank will normally have an additional first stage regulator located at the tank outlet valve. All of these regulators (located outdoors) will have a vent. (Figure 2)

It is important for these vents to remain clear. Do not allow moisture, which could freeze, to build up in the vent. If you see moisture building up in the regulator vent, contact your gas supplier.

H25.0.2



## ⚠ WARNING ⚠

**OBSTRUCTION OF THE AIR VENT ON AN LP (PROPANE) CYLINDER OR TANK REGULATOR CAN CAUSE EXPLOSION OR FIRE RESULTING IN PROPERTY DAMAGE, SEVERE PERSONAL INJURY OR DEATH.**

**YOUR GAS SUPPLIER SHOULD PERIODICALLY INSPECT AND CLEAN THE AIR VENT SCREEN TO PREVENT ANY OBSTRUCTION. KEEP PROTECTIVE REGULATOR COVER IN PLACE, AS EXPOSURE TO THE ELEMENTS CAN CAUSE ICE BUILDUP AND REGULATOR FAILURE.**

H3.29

## 2.1 GENERAL SAFETY RULES

1. Combustible materials should not be stored against or around the furnace. Keep the furnace area clear and free from all combustible materials such as newspapers, rags, cardboard, foam, plastic, paper backed fiberglass insulation, clothing, etc. This applies especially to gasoline and other flammable vapors and liquids.
2. This furnace is CSA certified as a Category IV indirect or direct vent appliance. It is designed to operate as a single pipe (inside combustion air) or two pipe (outdoor combustion air) system. A furnace needs adequate amounts of combustion air to operate properly. Do not block or obstruct the air-intake terminal on the furnace, or air openings supplying combustion air to the area where the furnace is installed, if operating as a single pipe system. There are many areas from which your furnace could be receiving combustion air including from within the heated area (inside air), from outdoors, from an attic or crawl space. If renovations are done, be sure that air supply openings are not inadvertently covered over with insulation, vapor barrier, or similar construction material.
3. All doors and panels must be in place during normal furnace operation. Attempting to operate the furnace with missing doors or panels could lead to the creation of carbon monoxide gas.
4. If the furnace is installed in a confined space or if you intend to build a furnace room where insulation is present, be aware that some insulating materials are combustible. Do not allow building insulating materials to come into contact with the furnace.
5. Any additions, alterations or conversions required in order for the furnace to properly match the application requirements must be done by a qualified installation contractor, service agency or gas supplier, using factory specified or approved parts.

6. Familiarize yourself with the location of the furnace gas manual shut-off valve and any electrical switch, fuse or circuit breaker associated with the furnace.
7. Do not allow snow, ice or debris to accumulate around the outdoor furnace exhaust and combustion air intake terminals. Blockage of the exhaust or combustion intake terminals can result in inadequate performance or nuisance shut-downs.
8. Familiarize yourself with the location of your furnace filter or filters. A blocked air filter will reduce efficiency, increase fuel consumption, raise the furnace operating temperature, and shorten the life of furnace components.
9. Do not cover return air grills and supply air registers with drapes, curtains, throw rugs, etc.
10. Avoid shutting off supply air registers in the interests of saving heat. While there is some validity to this practice with space heating, there is little to be gained in central heating systems. The furnace requires a quantity of air passing over the heat exchanger to operate within design temperatures. Reducing the number of supply air registers available for air delivery may have the unforeseen consequence of raising the furnace operating temperature, reducing furnace efficiency, and shortening the life of the furnace components.

---

H25.1

UM

## 3.0 FURNACE OPERATION INFORMATION

### 3.1 STARTING THE FURNACE

During the heating season, the operation of the furnace is fully automatic.

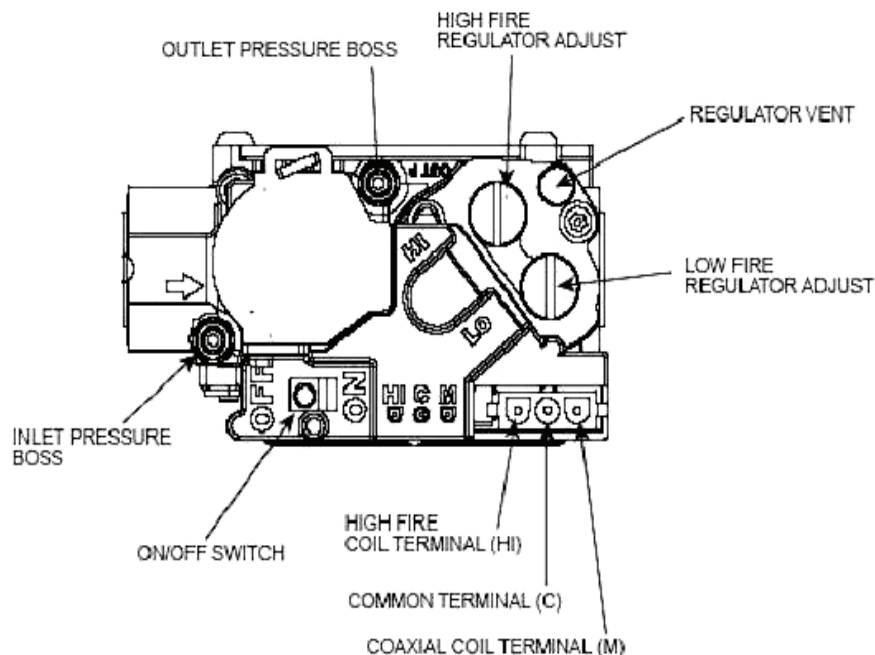
1. First read these instructions and safety notices thoroughly.
2. Set the thermostat to below the current set point.
3. Ensure that all supply air registers and return air grills are open.
4. Turn off the electric power to the furnace.
5. Remove the burner access door.
6. Ensure that the furnace manual shut-off gas valve is in the "ON" position. The valve handle is normally in-line with the gas pipe and valve body when it is in the "ON" position; perpendicular to the gas piping and valve body when it is in the "OFF" position.
7. Turn the manual gas valve switch to the "OFF" position. (Figure 3)
8. Wait 5 minutes to clear out any gas. If, after this time you smell gas, STOP. Turn the appliance manual shut-off valve to the "OFF" position. If burning LP gas, smell for gas near the floor since propane and butane are both heavier than air. If after this time you do not smell gas, continue to the next step.
9. Turn the manual gas valve switch to the "ON" position.
10. Replace the burner access door, ensuring that it is properly in place.
11. Restore the electric power to the furnace.
12. Adjust the thermostat to the desired setting. If the thermostat also controls an air conditioning system, ensure that the thermostat system switch is in the "HEAT" or "AUTO" mode.

If this is the first time that the furnace has undergone a trial ignition since installation, or if there has been work done on the gas lines, the furnace might not light because of air trapped in the gas supply line.

Simply turn the thermostat down to below the current set point, wait 5 minutes, then adjust the thermostat to the desired setting. If the problem persists, proceed to "Furnace Shut-Down Procedure" and call your Installer, service agency or gas supplier.

H26.1

FIGURE 3



### 3.2 SHUTTING DOWN THE FURNACE

1. Set the thermostat to its lowest setting.
2. Shut off electric power to the furnace.
3. Turn the furnace manual shut-off valve to the "OFF" position.
4. Remove the burner access door, turn the manual gas valve switch to the "OFF" position, then re-install the burner access door.

**IMPORTANT:**

If you intend to be away from home for lengthy periods of time during the non-heating season, it is advisable to follow the furnace shut down procedure.

---

H26.2

### 3.3 OPERATING TIPS

1. Clean air filters maximize efficiency, and reduce heating costs.
2. During the heating season, keep windows and doors closed to reduce the heating load on the system.
3. Avoid excessive use of kitchen exhaust hoods and other exhaust fans to reduce the heating load on the system.
4. Arrange the furniture and drapes so that the supply air registers and return air grills are unobstructed.
5. If you have a perimeter duct system, ideally, the warm air should bathe the interior walls. Avoid the use of plastic deflectors on the supply air registers which tend to short circuit the warm air straight into the return air grills.
6. Avoid placing heat producing appliances such as televisions, radios, lamps, etc. in a location to influence the thermostat.
7. Keep combustible articles at least 3 feet (0.91m) away from the furnace. Do not block access for servicing the furnace. Do not use the combustion air or exhaust piping as a hanger for clothes or anything else.

**IMPORTANT:**

NEVER ATTEMPT TO OPERATE THE FURNACE WITHOUT THE BLOWER DOOR AND COMBUSTION COMPARTMENT DOOR IN PLACE OR WHEN THE BLOWER HAS FAILED.

---

H26.3

## 4.0 ROUTINE MAINTENANCE BY HOMEOWNER

### 4.1 AIR FILTER

#### ⚠ CAUTION ⚠

DO NOT OPERATE YOUR FURNACE OR AIR CONDITIONER FOR EXTENDED PERIODS OF TIME WITHOUT AN AIR FILTER.

A portion of the dust entrained in the air may temporarily lodge in the air duct runs and the supply registers. Any recirculated dust particles will be heated and charred by coming into contact with the heat exchanger. This residue will soil ceilings, walls, drapes, carpets, furniture, and other household articles.

#### ⚠ WARNING ⚠

**DISCONNECT THE ELECTRICAL POWER SUPPLY TO THE FURNACE BEFORE ATTEMPTING ANY MAINTENANCE. FAILURE TO DO SO CAN CAUSE ELECTRICAL SHOCK RESULTING IN PERSONAL INJURY OR LOSS OF LIFE.**

H3.25.1

Consult your installation contractor or service technician if you have any questions on instructions for removing the air filter.

#### ⚠ CAUTION ⚠

BE SURE THAT THE FILTER IS RE-INSTALLED WITH THE AIRFLOW DIRECTION IDENTICAL TO ITS PREVIOUS USE. REVERSING THE FILTER WILL CAUSE DUST TRAPPED WITHIN THE FILTER TO BREAK FREE AND RECIRCULATE WITHIN THE DUCT SYSTEM.

H27.1

### 4.2 ROUTINE EXAMINATION

#### **IMPORTANT:**

We recommend that your furnace and exhaust/combustion air vents be checked by a qualified service technician once a year.

It is good practice to give a quick inspection of your furnace each time you inspect or clean the air filter. Things to check:

- Check the furnace for obvious signs of deterioration.
- Check the venting and combustion air piping to ensure that it is still fastened to the furnace. It should not sag, and should have a 1/4" (6mm) per foot (305mm) slope upwards, to the outside wall or termination.
- There should be no water marks on the floor under the venting. Water marks may indicate a leaking pipe joint.
- All ductwork should be secured to the furnace, and all ductwork should be solidly supported throughout the heating system.
- Water should flow easily through the condensate drain line. You may be able to observe this while the furnace is operating if your condensate drain line from the drain trap assembly terminates at a floor drain or sump pit. If clear plastic was used, it may yellow with age; however, the contents should be reasonably clear. Excess debris in the drain line may indicate a problem which should be referred to your service contractor. If the drain lines are opaque, your service technician will check them during the annual servicing.
- The gas burner should be observed from time to time during the heating season to ensure that the flames are clean and blue. A bit of orange color in the flame is not likely to be a problem and is probably dust particles burning. If you observe lazy yellow flames, call your heating or service contractor immediately. The yellow flames inevitably lead to soot-ups.

- The UV light should be checked after 1 year of continuous run or 9,000 hours of operation. Replace bulb when necessary.
- The combustion air and exhaust terminals should be inspected occasionally to ensure that they are free of obstructions and debris.

---

 H27.3.1

### 4.3 ANNUAL INSPECTION/SERVICE

It is recommended that the furnace be inspected annually by a qualified installation contractor, service agency or fuel supplier. Your annual inspection will normally cover the following:

**HEAT EXCHANGER** - The heat exchanger should be inspected for corrosion. The flue passages (heat exchanger tubes) should be free of scale or excessive corrosion.

**BURNERS** - The burners should be inspected to ensure that they are free of deterioration.

## ⚠ CAUTION ⚠

BE CAREFUL WHEN WORKING ON THE BURNER ASSEMBLY. THE HOT SURFACE  
IGNITER IS FRAGILE AND CAN BREAK EASILY.

The flame sensor should be inspected and cleaned with fine steel wool or Scotch-Brite™ scrubbing pad. The wiring connection should be checked to ensure that it is tight and corrosion free.

**DRAINAGE** - The condensate drainage system should be inspected and cleaned if necessary. If the drain trap assembly, or any other component becomes blocked, condensate may backup into the secondary or primary heat exchanger causing nuisance trip-outs of the pressure switches or roll out switch. The condensate should be observed for signs of dirt, carbon, debris, etc.

**CIRCULATING FAN** - The condition of the circulating fan should be checked to ensure that it is free of excessive dust buildup, debris, etc. The mechanical fasteners should be inspected and checked for proper tightness and parts alignment. The motor ventilation ports should be cleaned if necessary to prevent restriction to cooling by air over the motor.

**ELECTRICAL** - All electrical connections should be examined to ensure that they are tight and corrosion free. Repair any connections that have become loose or corroded.

**FURNACE OPERATION** - The furnace should be cycled during the annual inspection and servicing to:

1. Test all safety related controls.
2. Determine that the temperature rise falls within the range shown on the appliance rating plate.
3. Ensure that the burner ignition is smooth and that the flames are smooth soft blue, and not impinging on the heat exchanger.
4. Ensure gas meter is timed, and/or furnace manifold pressure checked to confirm the furnace is operating at the input listed on the rating plate.

**UV LAMP** - The UV light should be checked after 1 year of continuous run or 9,000 hours of operation. Replace bulb when necessary.

---

 H27.4.2

### 4.4 FURNACE APPEARANCE

The furnace exterior finish is a durable automotive like coating. It may be washed with mild soap if necessary. Galvanized metal surfaces require no maintenance.

---

 H27.5

UM

## 4.5 SEQUENCE OF OPERATION - ECM EON

1. Room temperature drops causing the room thermostat call for first stage heat by connecting "W1" to "R". The control verifies the limit switch is closed and both low and high pressure switches are open. The control energizes the exhauster motor on high speed and waits for the low pressure switch to close. The exhauster remains on high speed and begins a 15 second pre-purge period. The high pressure switch is ignored. If the low pressure switch does not close within 60 seconds, the control will flash "2" on the Red Status LED, and de-energize the exhauster for 60 minutes.
2. When the 15 second pre-purge time has elapsed, the control energizes the HSI output for a 15 second warm-up period (15 seconds on retries). The control energizes the low main gas valve. 4 seconds after the gas is energized, the control de-energizes the HSI output and leaves the gas energized another 1 second for flame proving. If flame is present at the end of trial for ignition time, the control leaves the gas valve energized, exhauster on high speed, and begins heat blower on delay. The control always ignites on high exhauster/low gas and ignores second stage call for heat until low fire is established for 15 seconds.
3. Blower on delay time begins when the gas valve is energized. The control provides the motor low heat speed signal when flame is proven, and starts a 30 second blower delay before full capacity blower level.
4. When there is a demand for 2nd stage heat from thermostat W2 or automatic staging, the control changes the exhauster from low to high speed. When high pressure switch closes, the control changes indoor blower speed from Low heat to High heat and energizes high gas output. If the high pressure switch is open the Green LED will flash. If the high pressure switch is closed the Green LED will be on. High gas valve drops out while High pressure switch is open because it is directly in series with the high pressure switch.
5. When the thermostat W2 call ends and W1 remains (two stage thermostat), the control de-energizes the high gas output and immediately changes exhauster speed from high to low. With the thermostat heating contacts open (single stage thermostat), the flames extinguish immediately and the exhauster blower stops after a 5 second post purge time.
6. Blower off delay is handled by the motor. The control de-energizes the motor heat signal when the gas valve de-energizes, and starts a programmed delay period.

### IN THE EVENT OF FLAME FAILURE:

If flame is lost, the control de-energizes the gas valve within 2 seconds, switches the exhauster motor to high speed (if not already on high), and begins timing the inter-purge delay. The indoor blower motor will be energized and/or remain energized on heat speed for the programmed delay off time. When the inter-purge delay is over, the control will re-cycle up to 5 flame losses (4 re-cycles) within a single call for heat before going into lockout. The control flashes "8" on the Red LED if lockout is due to too many flame dropouts (1 hour lockout).

---

H21.3.2B

## 4.6 VARIATIONS

If your system includes air conditioning, your thermostat will likely have two switches. The first switch is the system switch. The switch settings usually include HEAT, COOL, and OFF. Some thermostats have system switches which include HEAT, COOL, AUTO, and OFF. The system switch must be in the HEAT or AUTO position for the furnace to run.

The second switch is the fan switch. It usually has settings of ON and AUTO. The fan switch may be in either position when using the furnace. If the fan switch is set to ON, the main blower will run continuously.

---

H27.7

## 4.7 TERMINATIONS

The combustion air and exhaust terminals should be inspected occasionally to ensure that they are free of obstructions and debris. If screens were used in either terminal, ensure that they are free of debris, corrosion, or anything preventing the free flow of air.

---

H27.8

## 5.0 HOMEOWNER'S REFERENCE

HOMEOWNER'S REFERENCE TABLE
Model No.
Serial No. <i>(serial number located on bottom of inside door)</i>
Date Installed
Contractor
Contact
Address
Postal Code/Zip Code
Telephone No.
After Hours No.
<b>If different from Installation Contractor:</b>
Service Tech.
Telephone No.
After Hours No.
<b>Fuel Supplier:</b>
Gas Supplier
Contact
Telephone No.
After Hours No.

H28.0

UM

# NAPOLEON CELEBRATING OVER 40 YEARS OF HOME COMFORT PRODUCTS



7200, Route Transcanadienne, Montréal, Québec H4T 1A3  
24 Napoleon Road, Barrie, Ontario, Canada L4M 0G8  
214 Bayview Drive, Barrie, Ontario, Canada L4N 4Y8  
103 Miller Drive, Crittenden, Kentucky, USA 41030

Phone: 1-866-820-8686  
[napoleon.com](http://napoleon.com)

**INSTALLATEUR:** AVANT DE COMMENCER L'INSTALLATION, VEUILLEZ VOUS FAMILIARISER AVEC LES SECTIONS D'ÉVACUATION/DRAINAGE DE CE MANUEL. LAISSEZ CE MANUEL AVEC L'APPAREIL POUR CONSULTATION ULTÉRIEURE.

**PROPRIÉTAIRE:** CONSERVEZ CE MANUEL POUR CONSULTATION ULTÉRIEURE.

MIO

MU  
P  
145



# INSTRUCTIONS D'INSTALLATION ET D'OPÉRATION

## SÉRIES WUV-N

FOURNAISE À GAZ À AIR PULSÉ HAUTE EFFICACITÉ (CONDENSATION),  
À DEUX ÉTAPES



**ÉVACUATION ASCENDANTE  
UNIQUEMENT**

### CONSIGNES DE SÉCURITÉ



## AVERTISSEMENT

**RISQUE DE CHOC ÉLECTRIQUE, D'INCENDIE  
OU D'EXPLOSION**

Si les consignes de sécurité ne sont pas suivies à la lettre, cela peut causer des blessures graves, des pertes de vies ou des dommages matériels.

Un entretien inadéquat pourrait occasionner un fonctionnement dangereux, des blessures graves, des pertes de vies ou des dommages matériels.

En tant qu'installateur professionnel, vous devez de connaître le produit mieux que le client. Ceci comprend toutes les consignes de sécurité et les informations connexes.

Avant de commencer l'installation, veuillez bien vous familiariser avec ce manuel d'instructions. Portez une attention particulière à toutes les consignes de sécurité. Souvent, lors de l'installation ou d'une réparation, il est possible de vous retrouver dans une position plus dangereuse que lorsque l'unité est en fonction.

N'oubliez pas qu'il est de votre responsabilité d'installer le produit de façon sécuritaire et de le connaître suffisamment bien pour pouvoir informer un client de son utilisation sécuritaire.



Brevet déposé



LE FABRICANT SE RÉSERVE LE DROIT DE DISCONTINUER OU DE MODIFIER LES SPÉCIFICATIONS OU LES CONCEPTIONS EN TOUT TEMPS SANS PRÉAVIS ET SANS AUTRE OBLIGATION DE SA PART.

Wolf Steel Ltée., 24 Napoleon Rd., Barrie, ON, L4M 0G8 Canada /  
103 Miller Drive, Crittenden, Kentucky, É.-U., 41030

Téléphone (705)721-1212 • Télécopieur (705)722-6031 • www.napoleon.com • hvac@napoleon.com

H1.52A

# TABLE DES MATIÈRES

<b>1.0</b>	<b>INTRODUCTION</b>	<b>82</b>
<b>2.0</b>	<b>SYMBOLES DE SÉCURITÉ ET AVERTISSEMENTS</b>	<b>82</b>
2.1	CONSIGNES DE SÉCURITÉ	84
2.2	RÉGLEMENTATION	85
<b>3.0</b>	<b>CAPACITÉ DE LA FOURNAISE</b>	<b>87</b>
3.1	DÉBIT DU MODÈLE ET ÉLÉVATION DE TEMPÉRATURE	87
<b>4.0</b>	<b>EMPLACEMENT DE L'APPAREIL</b>	<b>88</b>
4.1	LIGNES DIRECTRICES GÉNÉRALES	88
4.2	AUTRES CONSIDÉRATIONS	88
4.3	INSTALLATION SELON UNE CIRCULATION ASCENDANTE	89
4.4	CLIMATISATION	89
<b>5.0</b>	<b>DÉGAGEMENTS AUX MATÉRIAUX COMBUSTIBLES</b>	<b>90</b>
<b>6.0</b>	<b>SYSTÈME DE CONDUITS</b>	<b>91</b>
6.1	ÉTAPES D'INSTALLATION DES CONDUITS	92
<b>7.0</b>	<b>CONDUITS D'ÉVACUATION ET DE COMBUSTION</b>	<b>93</b>
7.1	MATÉRIAUX AUTORISÉS AU CANADA	93
7.2	MATÉRIAUX AUTORISÉS AUX ÉTATS-UNIS	93
7.3	L'OPTION DE DRAIN D'ÉVACUATION	94
<b>8.0</b>	<b>INSTALLATIONS DE LA FOURNAISE AVEC SYSTÈME D'ÉVENT INDIRECT APPROVISIONNÉ EN AIR COMBURANT INTÉRIEUR (SYSTÈME À CONDUIT UNIQUE)</b>	<b>95</b>
8.1	ESTIMATION DU VOLUME D'AIR COMBURANT	96
8.1.1	EXEMPLE 1 : INSTALLATION DE LA FOURNAISE DANS UN ESPACE NON CONFINÉ	96
8.1.2	EXEMPLE 2 : INSTALLATION DE LA FOURNAISE DANS UN ESPACE CONFINÉ	96
8.1.3	EXEMPLE 3 : INSTALLATION DE LA FOURNAISE DANS UN ESPACE CONFINÉ, L'AIR EXTÉRIEUR PROVENANT DU GRENIER OU D'UN ESPACE RESTREINT	97
8.1.4	EXEMPLE 4 : INSTALLATION DE LA FOURNAISE DANS UN ESPACE CONFINÉ, CONDUIT D'AIR EXTÉRIEUR HORIZONTAL	98
8.1.5	RACCORDEMENT AU SYSTÈME D'ÉVENT INDIRECT DE LA FOURNAISE	98
<b>9.0</b>	<b>DIRECTIVES D'ÉVACUATION</b>	<b>99</b>
9.1	TERMINAISON D'ÉVACUATION	100
9.2	AU CANADA	101
9.3	AUX ÉTATS-UNIS	101
9.4	INSTALLATIONS DE L'ÉVACUATION DE LA FOURNAISE	102
9.4.1	INSTALLATION DU SYSTÈME D'ÉVENT INDIRECT AVEC AIR COMBURANT INTÉRIEUR (SYSTÈME À CONDUIT UNIQUE)	102
9.4.2	INSTALLATION DU SYSTÈME D'ÉVENT DIRECT AVEC AIR COMBURANT EXTÉRIEUR (SYSTÈME À DEUX CONDUITS)	102
9.4.3	AIR COMBURANT	102
<b>10.0</b>	<b>TERMINAISONS</b>	<b>103</b>
10.1	AIR COMBURANT	103
10.2	ÉVACUATION	103
10.3	ENSEMBLE DE TERMINAISON D'ÉVACUATION CONCENTRIQUE	103
10.4	INSTRUCTIONS D'INSTALLATION DE LA TERMINAISON D'ÉVACUATION CONCENTRIQUE	104
10.5	EMPLACEMENT	104
10.6	ÉVACUATION MULTIPLE	105
<b>11.0</b>	<b>OPTIONS D'AGENCEMENT</b>	<b>108</b>
11.1	TUYAUX D'ÉCOULEMENT	108
11.2	PRÉPARATIONS POUR L'OPTION D'ÉVACUATION ET DE DRAINAGE	109
11.3	ORIENTATION DU VENTILATEUR D'ÉVACUATION ET INSTALLATION DE L'INTERRUPTEUR DE PRESSION	110
11.4	INSTALLATION DU TUYAU DE DRAINAGE	113
11.4.1	CONDUITE D'ÉCOULEMENT	113
11.4.2	AMORÇAGE DU PURGEUR DE VAPEUR D'EAU	114
11.5	INSTALLATION ALTERNATIVE DU SYSTÈME DE DRAINAGE DU CONDENSAT, EN UTILISANT DES CONDUITS EN PVC OU PVC-C	115
11.6	NEUTRALISATION DES CONDENSATS	115

<b>12.0</b>	<b>ALIMENTATION EN GAZ ET CONDUITES DE GAZ</b>	<b>116</b>
12.1	ALIMENTATION EN GAZ	116
12.2	CONDUITES DE GAZ	116
12.3	PRESSION D'ALIMENTATION EN GAZ	117
12.4	ESSAIS D'ÉTANCHÉITÉ	117
12.5	PURGE DES CONDUITES DE GAZ	117
<b>13.0</b>	<b>CONVERSIONS</b>	<b>118</b>
13.1	CONVERSION DE HAUTE ALTITUDE	118
13.2	DU GAZ NATUREL AU PROPANE	118
13.3	PROCESSUS DE CONVERSION	118
13.4	VÉRIFICATION DE LA PRESSION D'ALIMENTATION EN GAZ	118
13.5	RÉGLAGE DE LA PRESSION DU GAZ AU COLLECTEUR	119
13.6	VÉRIFICATION DU DÉBIT DE LA FOURNAISE	120
<b>14.0</b>	<b>SPÉCIFICATIONS ÉLECTRIQUES</b>	<b>121</b>
14.1	CÂBLAGE ET BRANCHEMENTS ÉLECTRIQUES	121
14.2	BRANCHEMENT DE LA FOURNAISE	122
<b>15.0</b>	<b>CÂBLAGE BASSE TENSION</b>	<b>123</b>
15.1	THERMOSTAT À CONSIGNE UNIQUE	123
15.2	THERMOSTAT À DEUX CONSIGNES	124
15.3	EMPLACEMENT DU THERMOSTAT	124
<b>16.0</b>	<b>ACCESSOIRES OPTIONNELS (FOURNIS SUR PLACE/INSTALLÉS)</b>	<b>124</b>
16.1	PURIFICATEUR D'AIR ÉLECTRIQUE	124
16.2	HUMIDIFICATEUR	124
<b>17.0</b>	<b>PROCÉDURES DE MISE EN MARCHÉ</b>	<b>125</b>
17.1	MISE EN MARCHÉ DE LA FOURNAISE	125
17.2	ARRÊT DE LA FOURNAISE	125
17.3	SÉQUENCE DE FONCTIONNEMENT	126
<b>18.0</b>	<b>CIRCULATION D'AIR</b>	<b>127</b>
18.1	VÉRIFICATION DES ÉLÉVATIONS DE TEMPÉRATURE	127
18.2	ÉVALUATION DE LA CIRCULATION D'AIR	128
18.3	DÉBIT D'AIR DU VENTILATEUR	128
18.4	DÉSHUMIDIFICATION	130
18.5	DÉLAIS DE MISE EN MARCHÉ ET D'ARRÊT DE LA SOUFFLERIE	130
18.6	FONCTIONNEMENT CONTINU DU VENTILATEUR	130
<b>19.0</b>	<b>ENTRETIEN ET DÉPANNAGE</b>	<b>131</b>
19.1	FILTRE À AIR	131
19.2	LUBRIFICATION	131
19.3	NETTOYAGE	132
19.4	SCHÉMA DE DÉPANNAGE	135
19.5	CODES DE DIAGNOSTIC DE LA DEL D'ÉTAT	136
19.6	HISTORIQUE DES CODES DE DÉFAILLANCE	136
19.7	SYSTÈME D'ÉCLAIRAGE INTERNE	136
19.8	REMPLACEMENT DE L'AMPOULE UV	137
<b>20.0</b>	<b>SCHÉMA DE CÂBLAGE POUR UNE FOURNAISE À DEUX ÉTAPES</b>	<b>138</b>
<b>21.0</b>	<b>GARANTIE</b>	<b>140</b>
<b>22.0</b>	<b>LISTE DES PIÈCES DE RECHANGE</b>	<b>141</b>
<b>23.0</b>	<b>HISTORIQUE D'ENTRETIEN</b>	<b>143</b>
<b>24.0</b>	<b>NOTES</b>	<b>144</b>

**IMPORTANT:**

VEUILLEZ LIRE CE MANUEL ATTENTIVEMENT ET LE GARDER DANS UN ENDROIT SÉCURITAIRE POUR QU'UN TECHNICIEN DE SERVICE PUISSE LE CONSULTER ULTÉRIEUREMENT.

**ATTENTION:**

POUR ENLEVER LA PORTE EXTÉRIEURE EN ACIER INOXYDABLE, SAISISSEZ SOLIDEMENT LES CÔTÉS DE LA PORTE ET TIREZ.

POUR LA RÉINSTALLER, ALIGNEZ LA PORTE ET POUSSEZ-LA EN PLACE.

H1.22.1

**NOTE :** Les changements, autres que de nature éditoriale, sont dénotés par une ligne verticale dans la marge.

W415-2306 / C / 09.22.20

Ce manuel s'adresse au:

**Séries WUV-N (WUV040T2AA-N / WUV060T3AA-N / WUV080T3AA-N / WUV080T4BA-N / WUV100T5BA-N / WUV120T5BA-N)**

Ces modèles peuvent être référencés en fonction de leur entrée (K/Btu/h) dans certains figures (c.-à-d. 40 / 60 / 80-3 / 80-4 / 100 / 120).

## 1.0 INTRODUCTION

Cette fournaise à condensation deux étapes, alimentée au gaz et à rendement élevé, est un générateur d'air chaud à circulation ascendante conçu pour un usage résidentiel ou un usage commercial léger. Elle procure un rendement de 40 000 à 120 000 BTU/h.

Cette série de fournaises à haut rendement est certifiée selon les normes CSA, en tant que fournaise centrale à air pulsé, à système d'évent direct ou indirect, de Catégorie IV. Lorsqu'installée en tant que fournaise à système d'évent direct, tout l'approvisionnement des brûleurs en air comburant provient du système de prise d'air. (Voir la Section 7, « Conduits d'évacuation et de combustion ».)

Tous les modèles peuvent être alimentés au gaz naturel ou au propane. Ils peuvent aussi être convertis du gaz naturel au propane en utilisant l'ensemble de conversion W370-0018.

Mis à part l'ensemble de purgeur de condensat, la fournaise est complètement assemblée lors de l'expédition. Une fois la fournaise déballée, vérifiez si elle est endommagée.

H4.0.9

## 2.0 SYMBOLES DE SÉCURITÉ ET AVERTISSEMENTS

Assurez-vous de comprendre et de porter une attention particulière aux mots DANGER, AVERTISSEMENT et ATTENTION, ainsi qu'aux symboles définis suivants. Ils sont utilisés tout au long de ce manuel pour aviser le lecteur de dangers potentiels de niveaux de risques variés.

**⚠ DANGER ⚠**

**INDIQUE UNE SITUATION DANGEREUSE IMMINENTE QUI, SI ELLE N'EST PAS ÉVITÉE, CAUSERA LA MORT OU DES BLESSURES GRAVES.**

**⚠ AVERTISSEMENT ⚠**

**INDIQUE UNE SITUATION POTENTIELLEMENT DANGEREUSE QUI, SI ELLE N'EST PAS ÉVITÉE, POURRAIT CAUSER LA MORT OU DES BLESSURES GRAVES.**

**⚠ ATTENTION ⚠**

**INDIQUE UNE SITUATION POTENTIELLEMENT DANGEREUSE QUI, SI ELLE N'EST PAS ÉVITÉE, POURRAIT CAUSER DES BLESSURES MINEURES OU MODÉRÉES. PEUT AUSSI ÊTRE UTILISÉ POUR METTRE EN GARDE CONTRE DES PRATIQUES NON SÉCURITAIRES.**

H3.3.1

**IMPORTANT :**

**AVANT DE PROCÉDER À L'INSTALLATION, LISEZ TOUTES LES DIRECTIVES SUIVANTES!**

H6.0

## ⚠ AVERTISSEMENT ⚠

SI CES INSTRUCTIONS NE SONT PAS SUIVIES À LA LETTRE, UN INCENDIE OU UNE EXPLOSION POURRAIENT S'ENSUIVRE, CAUSANT DES DOMMAGES MATÉRIELS, DES BLESSURES CORPORELLES OU DES PERTES DE VIE.

### POUR VOTRE SÉCURITÉ

N'ENTREPOSEZ PAS OU N'UTILISEZ PAS D'ESSENCE OU AUTRES LIQUIDES ET VAPEURS INFLAMMABLES, OU TOUT AUTRE MATÉRIAU COMBUSTIBLE, À PROXIMITÉ DE CET APPAREIL OU DE TOUT AUTRE APPAREIL.

### QUE FAIRE SI VOUS DÉTECTEZ UNE ODEUR DE GAZ

- N'ALLUMEZ AUCUN APPAREIL.
- NE TOUCHEZ À AUCUN INTERRUPTEUR ÉLECTRIQUE; N'UTILISEZ AUCUN TÉLÉPHONE DANS VOTRE IMMEUBLE.
- APPELEZ IMMÉDIATEMENT VOTRE FOURNISSEUR DE GAZ D'UN TÉLÉPHONE VOISIN. SI VOUS UTILISEZ UN CELLULAIRE, ÉLOIGNEZ-VOUS DE L'IMMEUBLE. SUIVEZ SES INSTRUCTIONS.
- SI VOUS NE POUVEZ PAS REJOINDRE VOTRE FOURNISSEUR DE GAZ, APPELEZ LE SERVICE DES INCENDIES.
- NE RENTREZ PAS DANS L'IMMEUBLE AVANT D'AVOIR ÉTÉ AUTORISÉ PAR LE FOURNISSEUR DE GAZ OU PAR LE SERVICE DES INCENDIES.

UNE INSTALLATION NON CONFORME, DES AJUSTEMENTS, DES ALTÉRATIONS, UN SERVICE OU UN ENTRETIEN INADÉQUATS PEUVENT CAUSER DES DOMMAGES MATÉRIELS, DES BLESSURES OU DES PERTES DE VIE. RÉFÉREZ-VOUS À CE MANUEL.

L'INSTALLATION ET L'ENTRETIEN DOIVENT ÊTRE EFFECTUÉS PAR UN INSTALLATEUR QUALIFIÉ, UNE AGENCE DE SERVICE OU UN FOURNISSEUR DE GAZ.

H3.3

## ⚠ AVERTISSEMENT ⚠

CES INSTRUCTIONS SONT DESTINÉES À AIDER LES TECHNICIENS DE SERVICE QUALIFIÉS À INSTALLER, RÉGLER ET FAIRE FONCTIONNER ADÉQUATEMENT CETTE FOURNAISE. LISEZ CES DIRECTIVES ATTENTIVEMENT AVANT DE PROCÉDER À L'INSTALLATION ET AU FONCTIONNEMENT DE L'APPAREIL. SI CES DIRECTIVES NE SONT PAS SUIVIES À LA LETTRE, L'INSTALLATION, LE RÉGLAGE, LE SERVICE OU L'ENTRETIEN POURRAIENT ÊTRE INADÉQUATS, CE QUI RISQUERAIT DE CAUSER UN INCENDIE, UNE ÉLECTROCUTION, UN EMPOISONNEMENT AU MONOXYDE DE CARBONE, UNE EXPLOSION OU ENCORE DES DOMMAGES MATÉRIELS, DES BLESSURES OU LA MORT.

H3.4

## ⚠ AVERTISSEMENT ⚠

### DANGER D'INTOXICATION AU MONOXYDE DE CARBONE

SI LES DIRECTIVES NE SONT PAS RESPECTÉES, UNE INTOXICATION AU MONOXYDE DE CARBONE POURRAIT SE PRODUIRE ET CAUSER DES BLESSURES GRAVES OU LA MORT, SI LES PRODUITS DE LA COMBUSTION VENAIENT À S'INFILTRER DANS L'IMMEUBLE.

VÉRIFIEZ QUE TOUTES LES OUVERTURES DANS LE MUR EXTÉRIEUR AUTOUR DES ÉVENTS DE PRISE D'AIR ET D'ÉVACUATION SONT SCELLÉES AFIN DE PRÉVENIR L'INFILTRATION DE PRODUITS DE COMBUSTION DANS L'IMMEUBLE.

VÉRIFIEZ QUE LES TERMINAISONS DE PRISE D'AIR ET D'ÉVACUATION DE LA FOURNAISE NE SONT PAS OBSTRUÉES DE QUELQUE MANIÈRE EN TOUTE SAISON.

H3.92 W415-2306 / C / 09.22.20

## 2.1 CONSIGNES DE SÉCURITÉ

1. Cette fournaise ne doit fonctionner qu'avec le type de gaz approuvé pour cet appareil. Consultez la plaque d'homologation de la fournaise.
2. Cette fournaise doit être installée à l'intérieur, dans un endroit sec (à l'abri des intempéries).
3. L'espace où est installée la fournaise doit être suffisamment approvisionné en air comburant et de ventilation, comme indiqué dans la Section 7 de ce manuel, « Conduits d'évacuation et de combustion ».
4. Les produits de la combustion doivent être rejetés à l'extérieur. Cette fournaise doit être raccordée à un système d'évacuation approuvé, comme précisé dans la Section 7 de ce manuel, « Conduits d'évacuation et de combustion ».
5. N'effectuez jamais de tests de détection de fuites avec une flamme nue. Pour vérifier toutes les connexions, procurez-vous une solution savonneuse commerciale spécialement conçue pour la détection des fuites, comme indiqué dans la Section 12 de ce manuel, « Alimentation en gaz et conduites de gaz ».
6. Cette fournaise doit toujours être installée pour qu'elle puisse fonctionner selon l'étendue des élévations de température et avec un système de conduits. La pression statique externe de ce dernier doit respecter l'étendue permise, comme indiqué sur la plaque d'homologation et comme spécifié dans les Section 3 « Capacité de la fournaise », Section 6 « Système de conduits » et Section 18 « Circulation d'air » de ce manuel.
7. Lorsque la fournaise est installée de façon à ce que les conduits d'approvisionnement distribuent l'air provenant de la fournaise vers des zones à l'extérieur de l'emplacement de la fournaise, alors l'air de retour doit aussi circuler dans un ou des conduits scellés au caisson de la fournaise et leur terminaison doit être hors de l'espace où se trouve la fournaise. (Par exemple, une fournaise qui sert à chauffer la maison, mais qui est installée dans le garage attenant.)
8. Lorsqu'une fournaise alimentée au gaz est installée dans un garage résidentiel, les brûleurs et l'allumeur de la fournaise doivent se trouver au moins à 18" (457 mm) au-dessus du plancher. Pour éviter que les véhicules endommagent la fournaise, elle doit être installée dans un endroit approprié ou être protégée. (Consultez les consignes de sécurité.)
9. Les fournaises Wolf Steel peuvent être utilisées comme appareils de chauffage de construction, à condition que l'installation et le fonctionnement de l'appareil soient conformes aux éléments énumérés ci-dessous :
  - a) Le système d'évacuation doit être installé de façon permanente conformément aux instructions du fabricant. Durant la construction, l'air comburant doit provenir entièrement de l'extérieur afin de minimiser les effets corrosifs des adhésifs, des scellants et autres matériaux de construction ainsi que l'infiltration de poussière de gypse dans l'air comburant, ce qui pourrait provoquer un encrassement ou un blocage des composantes de la fournaise.
  - b) La fournaise doit être contrôlée par un thermostat. Il est interdit d'utiliser des fils de dérivation permanents afin de maintenir un chauffage continu.
  - c) Des filtres à air doivent être installés dans le système et remplacés ou entretenus quotidiennement durant la construction.
  - d) Un conduit de retour d'air doit être installé puis scellé à la fournaise.
  - e) La température de l'air de retour doit se maintenir entre 55 °F (13 °C) et 80 °F (27 °C) et ce, sans baisse ni fermeture du système en soirée.
  - f) Le débit d'alimentation et l'élévation de température doivent être réglés selon les spécifications de la plaque d'homologation.
  - g) La fournaise, les conduits et les filtres doivent être nettoyés au besoin pour éliminer la poussière de gypse et les débris de construction de tous les composants du système CVC, et les fonctions de la fournaise (y compris l'allumage, le débit d'alimentation, l'élévation de température et l'évacuation) doivent être vérifiées conformément aux directives du fabricant une fois que la construction est terminée.
  - h) Les portes de la fournaise doivent être en place lorsque celle-ci fonctionne, quel que soit le mode de fonctionnement. Les dommages ou réparations résultant du non-respect de ces exigences ne sont pas couverts par la garantie.

---

H6.7A

## 2.2 RÉGLEMENTATION

1. L'installation de cette fournaise doit :
  - a. Être conforme à tous les codes, réglementations et règlements locaux émis par les autorités compétentes.
  - b. Au Canada, être conforme aux normes actuelles CAN/CGA -B149.1 et .2 du Code d'installation du gaz naturel et du propane et aux normes NFPA 70 du National Electric Code (NEC).
  - c. Aux États-Unis, être conforme aux normes actuelles ANSI Z223.1 (NFPA 54) du National Fuel Gas Code.
2. Les branchements électriques doivent :
  - a. Être conformes à tous les codes, réglementations et règlements locaux applicables.
  - b. Au Canada, être conformes à la version courante de la norme CAN/CSA C22.1 et C22.2 du Code Canadien de l'électricité (Partie 1 et 2).
  - c. Aux États-Unis, être conformes à la version courante de la norme ANSI/NFPA 70 du National Electrical Code.

Les normes ainsi que d'autres renseignements sont disponibles auprès des organismes suivants :

Association canadienne de normalisation

5060 Spectrum Way

Mississauga, Ontario, L4W 5N6

Tél. : 416-747-4000

Site Web : [www.csa.ca](http://www.csa.ca)

American Gas Association

400 North Capitol Street, NW, Suite 450

Washington DC, 20001

Tél. : 202-824-7000

Site Web : [www.aga.org](http://www.aga.org)

National Fire Protection Association

1 Batterymarch Park

Quincy, MA, 02169-7471

Tél. : 617-770-3000

Site Web : [www.nfpa.ca](http://www.nfpa.ca)

H6.2

### ▲ AVERTISSEMENT ▲

**N'INSTALLEZ PAS CETTE FOURNAISE DANS UNE MAISON MOBILE! UNE TELLE INSTALLATION N'EST PAS APPROUVÉE ET POURRAIT CAUSER UN INCENDIE, DES DOMMAGES MATÉRIELS, DES BLESSURES CORPORELLES OU LA MORT.**

**CETTE FOURNAISE CONTIENT DE L'ISOLANT EN FIBRE DE VERRE RECOUVERT D'UNE FEUILLE D'ALUMINIUM. IL EXISTE UN LIEN ENTRE L'INHALATION DE PARTICULES DE FIBRE DE VERRE ET LES MALADIES RESPIRATOIRES, INCLUANT LE CANCER.**

**HABITUELLEMENT, LE GAZ NATUREL ET LE PROPANE SONT ODORISÉS PAR LE FOURNISSEUR DE COMBUSTIBLE. DANS CERTAINS CAS, IL EST POSSIBLE QUE L'ODEUR SOIT IMPERCEPTIBLE. COMME MESURE DE SÉCURITÉ SUPPLÉMENTAIRE, IL EST CONSEILLÉ D'INSTALLER, SELON LES DIRECTIVES DU FABRICANT, DES DÉTECTEURS DE GAZ HOMOLOGUÉS UL ET ULC.**

**LES GAZ DE COMBUSTION DE CETTE FOURNAISE CONTIENNENT DES SUBSTANCES CHIMIQUES QUI, PARFOIS, PEUVENT RENFERMER DU MONOXYDE DE CARBONE. CE DERNIER EST UN GAZ INODORE, INCOLORE ET INSIPIDE HAUTEMENT TOXIQUE. MÊME EN FAIBLES CONCENTRATIONS, IL EST PRÉSUMÉ CAUSER DES MALFORMATIONS CONGÉNITALES ET AUTRES DANGERS POUR LA REPRODUCTION.**

**DANS TOUS LES IMMEUBLES DOTÉS D'APPAREILS ALIMENTÉS PAR DES COMBUSTIBLES FOSSILES, IL EST CONSEILLÉ D'INSTALLER DES DÉTECTEURS DE MONOXYDE DE CARBONE HOMOLOGUÉS UL ET ULC. L'INSTALLATION DE TOUS LES DÉTECTEURS DE MONOXYDE DE CARBONE DOIT ÊTRE CONFORME AUX DIRECTIVES DU FABRICANT ET AUX CODES DU BÂTIMENT LOCAUX APPLICABLES.**

**DANGER D'INCENDIE, D'EXPLOSION ET D'EMPOISONNEMENT AU MONOXYDE DE CARBONE!**

**L'UTILISATION DE DISPOSITIFS DE CONTRÔLE INAPPROPRIÉS POURRAIT CAUSER UN INCENDIE, UNE EXPLOSION OU UN EMPOISONNEMENT AU MONOXYDE DE CARBONE.**

**LA SOUPAPE DE GAZ DOIT UNIQUEMENT ÊTRE REMPLACÉE PAR LE MÊME NUMÉRO DE MODÈLE OU PAR LE MODÈLE SPÉCIFIÉ PAR LE FABRICANT.**

H3.5

# ! AVERTISSEMENT !

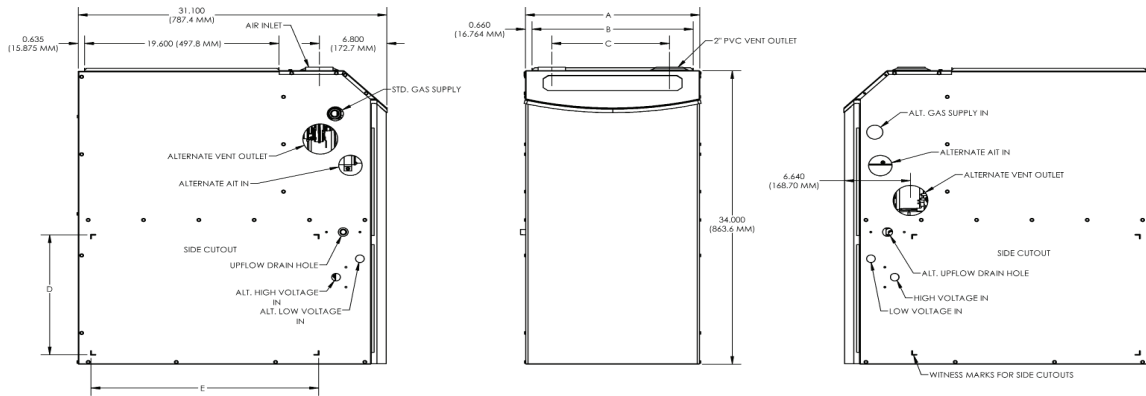
**LORSQUE CETTE FOURNAISE EST INSTALLÉE DANS UN GARAGE D'ENTREPOSAGE, LES BRÛLEURS ET L'ALLUMEUR DE LA FOURNAISE DOIVENT SE TROUVER AU MOINS À 18" (457 MM) AU-DESSUS DU PLANCHER, ET CE, AFIN D'ÉVITER QUE DES VAPEURS INFLAMMABLES, PRÉSENTES DANS LE GARAGE, PRENNENT FEU.**

**POUR ÉVITER QUE LES VÉHICULES ENDOMMAGENT LA FOURNAISE, ELLE DOIT ÊTRE INSTALLÉE DANS UN ENDROIT APPROPRIÉ OU ÊTRE PROTÉGÉE.**

**SI CES INSTRUCTIONS NE SONT PAS SUIVIES À LA LETTRE, UN INCENDIE OU UNE EXPLOSION POURRAIENT S'ENSUIVRE, CAUSANT DES DOMMAGES MATÉRIELS, DES BLESSURES CORPORELLES OU DES PERTES DE VIE.**

H3.6A

**FIGURE 1 - DIMENSIONS DE LA FOURNAISE ET DÉGAGEMENTS AUX MATÉRIAUX COMBUSTIBLES**



**TABEAU A - DIMENSIONS DE LA FOURNAISE**

DÉBIT K/Btu/hr	Largeur A	Profondeur B	Hauteur C	Sortie d'air (F x G)	Retour d'air (D x E)
40	17 1/2" (445 mm)	31" (787 mm)	34" (864 mm)	16 1/4" x 19 5/8" (413mm x 499mm)	14" x 23" (356 mm x 584 mm)
60					
80-3	22 1/2" (572 mm)	31" (787 mm)	34" (864 mm)	21 1/4" x 19 5/8" (540mm x 499mm)	14" x 23" (356 mm x 584 mm)
80-4					
100*					
120*					

**NOTE:** Si les exigences du débit d'air dépassent 1800 cfm, les modèles vont devoir d'ouvertures et de filtres à air:

- sur les deux côtés, OU
- sur un côté et dans le bas, OU
- seulement dans le bas.

H12.6.13C

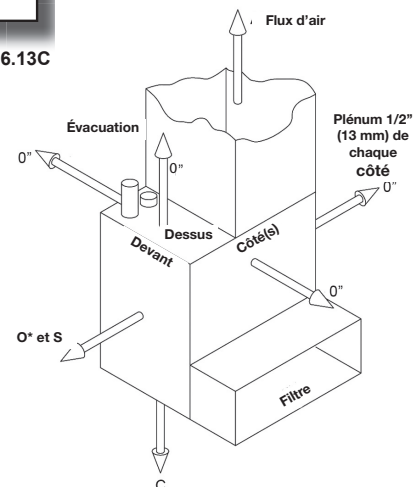
**TABEAU B - DÉGAGEMENTS MINIMAUX AUX MATÉRIAUX COMBUSTIBLES**

	VERS LE HAUT DE L'ÉCOULEMENT
DESSUS	0
DESSUS E PLEIN	1/2" (13mm)
D'AVANT	0*
ARRIERE	0
COTE	0
POND	0***
TUYAU	0
ENCLOSURE	CABINET

\*24" (610mm) EST EXIGÉ POUR L'ÉNTRETIEN

\*\*\*CERTIFIÉ POUR INSTALLATION DANS UN PLACARD SUR PLACHER COMBUSTIBLE.

H12.11.4b



NOTES :

- S - Dégagement pour l'entretien, au moins 24" (610 mm)
  - C - Plancher combustible (excepté le tapis ou les carreaux autres qu'en céramique)
- Tous les modèles sont approuvés pour installation dans un placard.

### 3.0 CAPACITÉ DE LA FOURNAISE

Pour chaque espace chauffé, la perte de chaleur maximale par heure doit être calculée selon les procédures décrites dans les manuels de l'*Institut canadien du chauffage, de la réfrigération et de la climatisation (HRAI)*, ou selon toute autre méthode convenant aux exigences locales, pourvu que les résultats obtenus concordent essentiellement avec les données évaluées selon les procédures décrites dans leurs manuels.

Aux États-Unis, l'ouvrage « *Manual J - Load Calculation* », publié par l'Air Conditioning Contractors of America, décrit une procédure convenable permettant d'évaluer la perte de chaleur maximum par heure.

Si l'installation est effectuée dans le cadre de rénovations, ne vous fiez pas à la capacité de l'appareil de chauffage existant comme moyen d'évaluation de la nouvelle fournaise. Plusieurs des multiples de transfert thermique énumérés dans les éditions antérieures des manuels de calcul des charges étaient plus élevés que ceux énumérés dans les récentes éditions. Il est donc possible que des mesures d'économie d'énergie aient été mises en place depuis l'installation de la fournaise existante. Ces mesures peuvent inclure l'amélioration de l'isolation des murs ou du grenier, l'application de mousse isolante soufflée, l'ajout de contre-fenêtres ou de contre-portes, de coupe-froid, de calfeutrage, etc.

Plusieurs des anciennes fournaises étaient équipées de systèmes de soufflerie à large courroie d'entraînement, ce qui les faisait fonctionner à bas régime. Si vous remplacez une fournaise, assurez-vous que les conduits existants conviennent au volume de circulation d'air nécessaire en fonction d'une élévation de température raisonnable. La plupart des anciennes fournaises à gaz fonctionnent avec un système d'élévation de température entre 70 et 100 °F (39 - 56°C). Cette fournaise est conçue pour fonctionner avec un système d'élévation de température ( $\Delta T$ ) comme illustré dans la section « débit du modèle et élévation de température ». Si le rendement de la fournaise choisie est identique à celui de la fournaise originale, alors vous devrez grandement améliorer le système de circulation d'air. Consultez la Section 3.1 et les caractéristiques de circulation d'air à la section 18 du présent manuel. Les capacités de traitement de l'air des conduits existants doivent être évaluées.

Dans l'industrie des appareils de chauffage, le tableau « *Equal Friction Chart* » est à la base des calculs relatifs aux systèmes de conduits. En suivant les lignes directrices de la vélocité de l'air établies par ce tableau ou basé sur un calculateur de gaines d'air, une gaine ordinaire de 6" a une capacité d'environ 100 pi<sup>3</sup>/min.

#### NOTE :

Le système de retour d'air est aussi important que le système d'alimentation en air. Si la capacité du système de retour d'air est insuffisante, le volume d'air qui pénètre dans le système d'alimentation en air sera insuffisant, ce qui réduira la durée de vie de la fournaise et de ses composants.

H7.0.7

### 3.1 DÉBIT DU MODÈLE ET ÉLÉVATION DE TEMPÉRATURE

	RÉGIME	DÉBIT	RENDEMENT	DELTA T (°F)
WUV040T2AA-N	HF	40,000	39,000	40-70
	LF	24,000	23,000	35-65
WUV060T3AA-N	HF	60,000	58,000	40-70
	LF	36,000	35,000	35-65
WUV080T3AA-N	HF	80,000	78,000	45-75
	LF	48,000	47,000	40-70
WUV080T4BA-N	HF	80,000	78,000	40-70
	LF	48,000	47,000	35-65
WUV100T5BA-N	HF	100,000	97,000	40-70
	LF	60,000	58,000	35-65
WUV120T5BA-N	HF	120,000	116,000	40-70
	LF	72,000	70,000	35-65

HF - Puissance max. d'utilisation, LF - Puissance min. d'utilisation

## 4.0 EMPLACEMENT DE L'APPAREIL

### 4.1 LIGNES DIRECTRICES GÉNÉRALES

1. Optez pour un emplacement qui permet de faire passer les conduits d'évacuation et d'air comburant entre la fournaise et leurs terminaisons, en minimisant les longueurs et les raccords. Assurez-vous que l'emplacement de la terminaison proposé respectera les exigences du code quant à l'emplacement et aux dégagements minimaux. (*Voir la section sur l'évacuation pour connaître les limites maximales et minimales.*)
2. Choisissez un emplacement étant le plus près possible du système de conduits existant ou proposé.
3. L'emplacement de la fournaise doit permettre le drainage du condensat. S'il n'y a aucun drain adéquat près de la fournaise, une pompe à condensats doit être installée. La sortie du tuyau de drainage ne doit pas être à l'extérieur, comme c'est le cas pour certains climatiseurs. Assurez-vous de choisir une pompe à condensats approuvée pour les fournaises à condensation.
4. L'emplacement de la fournaise doit prévoir un accès pour l'entretien, tout en respectant les dégagements aux matériaux combustibles, comme indiqué sur la plaque d'homologation de l'appareil.
5. La fournaise doit être installée sur une surface de niveau. Il est recommandé de surélever l'arrière de la fournaise de 1/4" (6 mm) par rapport à l'avant, et ce, pour faciliter le drainage des condensats.
6. Si la fournaise est installée de façon à ce que le retour d'air pénètre par le bas, alors le périmètre de la fournaise doit être adéquatement supporté.
7. **Dans le cas d'une évacuation vers la droite, le drainage de la fournaise doit se faire du côté gauche.**

---

 H8.1.3

### 4.2 AUTRES CONSIDÉRATIONS

1. Si la fournaise est située dans un endroit où l'air comburant est gorgé de composés chimiques, tels que du brome, du chlore ou du fluor, des éléments présents dans les produits chimiques utilisés dans les piscines, les détergents à lessive, etc., alors **l'air comburant doit être tiré de l'extérieur**. Lorsqu'exposés à la flamme, ces composés forment des acides qui corrodent l'échangeur de chaleur et autres composants.

L'air comburant devra provenir de l'EXTÉRIEUR, si sa source est exposée aux substances suivantes (sans s'y limiter) :

- Des aérosols, particulièrement ceux à base de CFC ou les bombes aérosols
  - Des assainisseurs d'air
  - Des « adhésifs à avion » ou des adhésifs similaires
  - De l'ammoniac, une substance habituellement incorporée dans les produits pour permanente utilisés dans les salons de coiffure
  - De l'assouplisseur textile utilisé dans les sèche-linge
  - Du tétrachlorure de carbone
  - Des nettoyants et cires chlorés
  - Des produits pour piscine à base de chlore et de brome
  - Des sels ou des produits chimiques pour le déglacage (sel gemme, etc.)
  - Des liquides de nettoyage à sec, comme le perchlorétylène
  - Des vapeurs provenant du durcissement du polyuréthane et autres substances similaires
  - Des réfrigérants à base d'halogène, incluant les R-12 et R-22
  - Des agents nettoyants et de cuisson de maçonnerie à base d'acide chlorhydrique et autres acides
  - Des encres pour imprimantes, des décapants, vernis, Varsol, toluène, etc.
  - Des sels et produits chimiques pour adoucisseur d'eau
2. Si cette fournaise est installée dans un endroit situé au-dessus d'un plafond fini ou d'une aire de séjour, vous devrez fabriquer sur place et installer un plateau d'écoulement auxiliaire sous la fournaise, et ce, pour protéger cette aire contre les déversements accidentels de condensats. Le plateau auxiliaire doit être assez large pour recueillir le condensat pouvant être déversé accidentellement par le serpentin d'évaporateur de climatisation, le cas échéant.
  3. Si la fournaise est installée dans un endroit exposé au gel, comme un garage, un grenier, un espace restreint ou tout espace non fini, alors vous devrez prendre les mesures nécessaires pour protéger le purgeur de condensats et la conduite de purge du gel.

---

 H8.2

### 4.3 INSTALLATION SELON UNE CIRCULATION ASCENDANTE

**INSTALLATION À CIRCULATION ASCENDANTE :** La disposition de l'évent, ainsi que l'emplacement de l'interrupteur de pression et du drain doivent respecter les directives décrites dans les sections appropriées de ce manuel.

**INSTALLATION NON SUSPENDUE :** Maintenez les dégagements aux matériaux combustibles selon les indications de la Tableau B. La fournaise doit être supportée de façon à éviter que le caisson se torde ou s'affaisse.

#### **IMPORTANT :**

- LA FOURNAISE DOIT ÊTRE INSTALLÉE SUR UNE SURFACE DE NIVEAU. IL EST RECOMMANDÉ DE SURÉLEVER L'ARRIÈRE DE LA FOURNAISE DE 1/4" (6 mm) PAR RAPPORT À L'AVANT, ET CE, POUR FACILITER LE DRAINAGE DES CONDENSATS.
- SI LA FOURNAISE ET LE CLIMATISEUR SONT SITUÉS AU-DESSUS D'UN ESPACE FINI, INSTALLEZ UN PLATEAU D'ÉCOULEMENT SOUS L'APPAREIL.

#### **NOTE**

CETTE FOURNAISE EST HOMOLOGUÉE POUR UNE INSTALLATION À CIRCULATION ASCENDANTE SEULEMENT.

Cette fournaise est homologuée pour une installation dans un grenier, une alcôve, une pièce de service, un placard et un espace restreint. Si la fournaise est installée dans une pièce de service, assurez-vous d'avoir un espace suffisant pour pouvoir faire l'entretien ou de pouvoir enlever d'autres appareils installés dans la pièce (par ex., un chauffe-eau). L'utilisation d'un retour d'air arrière n'est pas autorisée pour cet appareil. Utilisez uniquement des retours d'air latéraux et inférieurs.

---

H8.3.3

### 4.4 CLIMATISATION

Cette fournaise peut être utilisée comme composant d'un système de climatisation. Le câblage et le système de contrôle de la fournaise sont prêts pour la climatisation. Les facteurs suivants doivent être considérés :

Le serpentin d'évaporateur de climatisation doit être placé en aval de l'échangeur de chaleur. En passant au-dessus des conduits tièdes de l'échangeur de chaleur, l'air refroidi peut causer de la condensation à l'intérieur des conduits, ce qui causerait de la corrosion et une défaillance prématurée.

Si vous installez un système de climatisation à deux étapes, fixez le câble JW38 entre Y et Y2 sur le panneau de contrôle de l'appareil.

Le panneau se met par défaut à Y2 (fort refroidissement), si le fil de dérivation JW38 n'est pas coupé.

---

H8.4.4

## 5.0 DÉGAGEMENTS AUX MATÉRIAUX COMBUSTIBLES

Le Tableau B présente les dégagements aux matériaux combustibles certifiés et les dimensions. Pour connaître les numéros de modèle et de série, ainsi que les dégagements aux matériaux combustibles, consultez la plaque d'homologation fixée sur la fournaise.

**IMPORTANT :**

POUR PERMETTRE L'ENTRETIEN, LE DÉGAGEMENT MINIMAL SUR LE DEVANT DE LA FOURNAISE DOIT ÊTRE D'AU MOINS 24" (610 mm). À CET EFFET, LE DÉGAGEMENT NÉCESSAIRE POUR L'ENTRETIEN A PRIORITÉ SUR LES DÉGAGEMENTS AUX MATÉRI-AUX COMBUSTIBLES.

H9.0

### **⚠ AVERTISSEMENT ⚠**

**CETTE FOURNAISE EST HOMOLOGUÉE POUR INSTALLATION SUR UN PLANCHER COMBUSTIBLE. CELA NE SERA INTERPRÉTÉ QUE DANS UN PLANCHER DE BOIS. NE RESPECTEZ PAS CES INSTRUCTIONS PEUVENT OCCASSIONNER UN INCENDIE, CAUSANT DES DOMMAGES MATÉRIELS, DES BLESSURES CORPORELLES OU LA MORT.**

**LA FOURNAISE NE DOIT PAS ÊTRE INSTALLÉE DIRECTEMENT SUR DU TAPIS OU D'AUTRES MATÉRIAUX COMBUSTIBLES, À L'EXCEPTION DU BOIS.**

**GARDEZ LA FOURNAISE ET SES ENVIRONS PROPRES ET EXEMPTS DE TOUT MATÉRIAU COMBUSTIBLE, DONT L'ESSENCE ET AUTRES VAPEURS ET LIQUIDES INFLAMMABLES.**

**LE PROPRIÉTAIRE DOIT ÊTRE AVISÉ DE NE PAS UTILISER LES ENVIRONS DE LA FOURNAISE COMME PLACARD OU À DES FINS DE RANGEMENT.**

H3.97

## 6.0 SYSTÈME DE CONDUITS

Pour bien fonctionner, cette fournaise requiert une circulation d'air adéquate. Si la circulation d'air est insuffisante, la fournaise risquerait de fonctionner de façon irrégulière et à haute température, ce qui pourrait endommager l'échangeur de chaleur. Par contre, une circulation d'air excessive rendrait le système de conduits bruyant et entraînerait des conséquences désagréables, comme des courants d'air inconfortables.

Si la climatisation est utilisée conjointement avec la fournaise, le système de conduits doit être en mesure de fournir une circulation d'air adéquate pour chacun des systèmes.

Les dimensions et la construction du système de conduits doivent être conformes aux normes de l'industrie. À ce sujet, des renseignements sont disponibles auprès des organismes suivants :

- A.C.C.A. (Air Conditioning Contractors of America)
- A.S.H.R.A.E. (American Society of Heating, Refrigeration and Air Conditioning Engineers)
- H.R.A.I. (Institut canadien du chauffage, de la climatisation et de la réfrigération)
- S.M.A.C.N.A. (Sheet Metal and Air Conditioning Contractors' National Association - États-Unis)

Tous ces organismes professionnels disposent de guides sur les dimensions des conduits.

La chute de pression statique totale du système de distribution d'air (incluant les filtres) doit être d'au plus 1,0" de CE ou selon les spécifications sur la plaque d'homologation de l'appareil.

H10.0

### ⚠ AVERTISSEMENT ⚠

**ÉVITEZ DE PASSER DES CONDUITES DE GAZ ENTRE LES SOLIVES, DANS LES ESPACES UTILISÉS AUX FINS DE RETOUR D'AIR. SI DES COLONNES DE PLOMBERIE, DES COMPOSANTS DE CHEMINÉE, ETC. SONT DISPOSÉS DANS LES ESPACES ENTRE LES SOLIVES, N'UTILISEZ PAS CES ESPACES À DES FINS DE RETOUR D'AIR, À MOINS QUE LA PORTION UTILISÉE AUX FINS DE RETOUR D'AIR PUISSE ÊTRE COMPLÈTEMENT ISOLÉE DES PORTIONS UTILISÉES À D'AUTRES FINS.**

**EMPÊCHEZ, EN TOUT TEMPS, LES PRODUITS DE COMBUSTION DE PÉNÉTRER DANS LES CONDUITS DE RETOUR D'AIR OU D'ALIMENTATION EN AIR.**

**TOUS LES CONDUITS DE RETOUR D'AIR DOIVENT ÊTRE ADÉQUATEMENT SCELLÉS ET FIXÉS À LA FOURNAISE AVEC DES VIS AUTOTARAUDEUSES. DANS LES ENVIRONS DE LA FOURNAISE, SCELLEZ LES JOINTS DE TÔLE AVEC DU RUBAN À CONDUITS OU UN MATÉRIAU SEMBLABLE.**

**LORSQUE LA FOURNAISE EST INSTALLÉE SUR UNE PLATEFORME ET QUE LE RETOUR D'AIR SE TROUVE DANS LE BAS, CE DERNIER DOIT ÊTRE SCELLÉ HERMÉTIQUEMENT ENTRE LA FOURNAISE ET LE PLÉNUM DE RETOUR D'AIR. LE PLANCHER OU LA PLATEFORME DOIT SUPPORTER SOLIDEMENT LA FOURNAISE. IL NE DOIT PAS Y AVOIR D'AFFAISSEMENT, DE FISSURES OU D'ESPACE AUTOUR DE LA BASE. LE SUPPORT ET LA BASE DOIVENT ÉGALEMENT ÊTRE SCELLÉS.**

**À DÉFAUT D'EMPÊCHER LES PRODUITS DE COMBUSTION DE CIRCULER DANS LES ESPACES DE SÉJOUR, DES DANGERS POTENTIELS SERAIENT ENGENDRÉS, DONT UN EMPOISONNEMENT AU MONOXYDE DE CARBONE QUI POURRAIT CAUSER DES BLESSURES CORPORELLES OU LA MORT.**

H3.8

## 6.1 ÉTAPES D'INSTALLATION DES CONDUITS

1. Positionnez la fournaise de façon à minimiser la longueur des conduits et le nombre de raccords.
2. Découpez une ouverture destinée au retour d'air. Cette ouverture peut être pratiquée dans le bas de la fournaise, d'un côté ou de l'autre, ou selon tout autre agencement de ceux-ci (par ex., dans les deux côtés, ou dans le bas et dans un des deux côtés). Dans tous les cas, découpez une ouverture correspondant à la largeur totale des marques du retour d'air inscrites sur le panneau latéral.

### ⚠ AVERTISSEMENT ⚠

**N'UTILISEZ PAS LE PANNEAU ARRIÈRE COMME RETOUR D'AIR. L'ESPACE RESTREINT EMPÊCHERAIT UNE CIRCULATION D'AIR ADÉQUATE.**

**DES DOMMAGES, DÉFAUTS OU DÉFAILLANCES CAUSÉS PAR L'ALIMENTATION DE LA FOURNAISE AVEC UNE PROPORTION DE PLUS DE 20 % D'AIR CONDITIONNÉ (AIR DE RETOUR) PROVENANT DE L'EXTÉRIEUR (TEMPÉRATURE MIN. DE L'AIR DE RETOUR DE 55 °F/13 °C).**

**CERTAINES VALEURS RELATIVES À LA CIRCULATION D'AIR EN MODE CHAUFFAGE PEUVENT ÊTRE PLUS ÉLEVÉES QUE CELLES POUR LA CLIMATISATION. VEUILLEZ PRÉVOIR UN SYSTÈME DE CONDUITS ADAPTÉ AUX VALEURS LES PLUS ÉLEVÉES POSSIBLE.**

H3.9

3. Raccordez le conduit ou le filtre du retour d'air à la fournaise. Le raccord doit être scellé hermétiquement pour empêcher la pénétration des gaz de combustion d'un appareil à combustion adjacent ou la pénétration d'air comburant servant à cette fournaise ou à des appareils à combustion adjacents.
4. Prévoyez un espace et un accès suffisants pour l'enlèvement du filtre à air.
5. Si un serpentin d'évaporateur de climatisation est nécessaire, installez-le sur le côté de la fournaise où se trouve l'alimentation en air. Assurez-vous d'empêcher que de l'air contourne le serpentin.
6. Raccordez le plénum d'alimentation en air à la sortie d'air.

**LES RACCORDS FLEXIBLES** sont des dispositifs efficaces pour éviter la transmission, par les conduits et vers d'autres aires de la maison, de bruits mécaniques provenant de la fournaise. En cas d'utilisation de raccords flexibles, assurez-vous que le conduit adjacent est supporté de façon indépendante.

**NOTE:** Si les exigences du débit d'air dépassent 1800 cfm, les modèles vont devoir d'ouvertures et de filtres à air:

- sur les deux côtés, OU
- sur un côté et dans le bas, OU
- seulement dans le bas.

H10.2

## 7.0 CONDUITS D'ÉVACUATION ET DE COMBUSTION

### ⚠ AVERTISSEMENT ⚠

**ASSUREZ-VOUS DE BIEN COMPRENDRE ET DE SUIVRE LES DIRECTIVES DE CETTE SECTION. SI L'ÉVACUATION DE CETTE FOURNAISE OU SON APPROVISIONNEMENT EN AIR COMBURANT NE SONT PAS ADÉQUATS, UN EMPOISONNEMENT AU MONOXYDE DE CARBONE POURRAIT S'ENSUIVRE, DE MÊME QU'UNE EXPLOSION OU UN INCENDIE, CAUSANT AINSI DES DOMMAGES MATÉRIELS, DES BLESSURES CORPORELLES OU LA MORT.**

H3.10

AUCUN APPLICATIONS D'ÉVENT 'B'.

### 7.1 MATÉRIAUX AUTORISÉS AU CANADA

Depuis le 1<sup>er</sup> août 2007, le matériau de tous les conduits d'évacuation et raccords servant à l'évacuation des gaz de combustion doit être homologué ULC S636 et indentifié à cet effet. Les trois premiers pieds (900 mm) du conduit d'évacuation doivent être disposés de façon à permettre une inspection visuelle. Les apprêts et adhésifs spécifiés pour le système d'évacuation homologué doivent absolument provenir du même fabricant. Les composants du système d'évacuation homologué ne doivent pas être remplacés par ceux d'autres systèmes d'évacuation, ou par des conduits ou des raccords non homologués. Suivez les directives du fabricant du système d'évacuation quant à l'installation, au découpage, à l'ébavurage, au collage, au conditionnement et au support de ce système.

La fournaise doit être ventilée avec des conduits de PVC homologués ULC S636 fabriqués par IPEX et Royal Building Products (GVS-65 et GVS90), ou conduits de PPE homologué ULC S636 fabriqués par M&G Duravent.

Les terminaisons pour système de conduits en PVC peuvent utiliser les ensembles concentriques indiqués à la section 10.3 ou des coudes de 45 et de 90 degrés, ou un té.

La terminaison des systèmes de conduits en PPE doit utiliser des coudes de 45 et de 90 degrés.

Indice minimum de 149 °F (65 °C).

H11.2

### 7.2 MATÉRIAUX AUTORISÉS AUX ÉTATS-UNIS

Les conduits d'évacuation de la fournaise peuvent être faits des matériaux suivants :

- Série 40 PVC, ASTM D1785 ou CSA B137.3
- PVC-DWV, ASTM D2665 ou CSA B181.2
- Série 40 PVC-C, ASTM F441 ou CSA B137.6
- APPRÊT ET COLLE À SOLVANT POUR PVC : ASTM D2564
- PPE ULC S636 fabriqué par M&G Duravent - la terminaison doit utiliser des coudes de 45 et de 90 degrés, ou un té.

Vous devrez suivre les directives du fabricant en matière d'installation des conduits et raccords en ce qui concerne le découpage, l'ébavurage, l'apprêt, le collage, le conditionnement et le support des conduits.

H11.2B

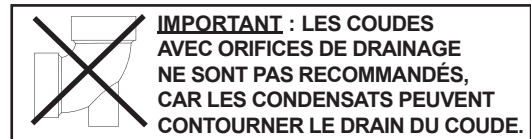
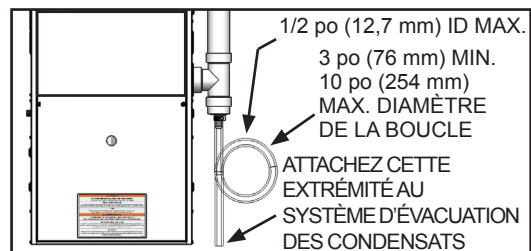
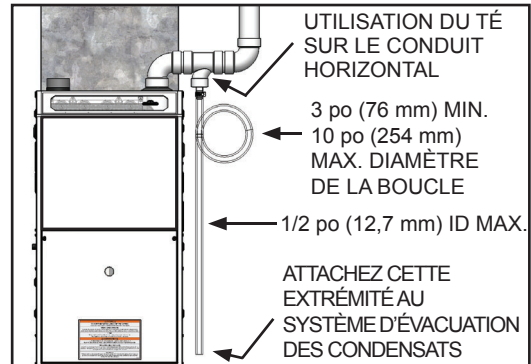
### 7.3 L'OPTION DE DRAIN D'ÉVACUATION

Un drain d'évacuation est recommandé lorsque l'évent traverse tout espace non chauffé comme un grenier ou un vide sanitaire, afin de prévenir l'accumulation excessive de condensation dans le boîtier de l'inducteur pendant les cycles de fonctionnement. Référez-vous aux images sur l'option de drain d'évacuation.

Pour installer le drain d'évacuation, suivez les étapes ci-dessous :

**IMPORTANT :** Le té, le réducteur et le raccord doivent être correctement collés ensemble en utilisant la méthode et les matériaux indiqués aux sections 7.0 Conduits de ventilation et de combustion, 7.1 Matériaux acceptables au Canada et 7.2 Matériaux acceptables aux États-Unis.

1. Placez un té du diamètre approprié au système de ventilation installé à une distance de 2 po (51 mm) ou 3 po (76 mm) dans le conduit horizontal ou vertical le plus proche de la fournaise.
2. Placer une bague de réduction du diamètre approprié dans la tige du té. La taille recommandée du réducteur est de 5/8 po (15,9 mm).
3. Placez un tuyau de 5/8 po (15,9 mm) de diamètre et d'une longueur minimale de 3 po (76 mm) dans le réducteur afin qu'il serve de raccord.
4. Connectez un morceau de tuyau d'évacuation flexible comme de l'EPDM ou du PVC au raccord.
5. Faites une boucle avec le tuyau d'évacuation afin de créer un siphon.
6. Connectez l'extrémité de vidange du tuyau d'évacuation au système d'évacuation des condensats à l'extérieur de la fournaise.



**NOTE:** Toute augmentation du diamètre du conduit d'évacuation doit être effectuée sur les sections verticales et **NON** sur les sections horizontales.

H11.3A

## 8.0 INSTALLATIONS DE LA FOURNAISE AVEC SYSTÈME D'ÉVENT INDIRECT APPROVISIONNÉ EN AIR COMBURANT INTÉRIEUR (SYSTÈME À CONDUIT UNIQUE)

### ⚠ AVERTISSEMENT ⚠

**POUR UNE COMBUSTION ET UNE ÉVACUATION DES GAZ DE COMBUSTION ADÉQUATES, L'APPROVISIONNEMENT EN AIR FRAIS DE CETTE FOURNAISE, OU DE TOUT AUTRE APPAREIL À COMBUSTION, DOIT ÊTRE SUFFISANT. DANS LA PLUPART DES MAISONS, L'AIR EXTÉRIEUR DEVRA ÊTRE AMENÉ DANS L'AIRE DE LA FOURNAISE. SINON, DES BLESSURES CORPORELLES OU UN EMPOISONNEMENT AU MONOXYDE DE CARBONE CAUSANT LA MORT POURRAIENT SURVENIR.**

H3.11

Cet appareil doit être suffisamment alimenté en air comburant et de ventilation, en respectant les normes CAN/CGA-B149, au Canada, et les normes ANSI Z223.1-2018, section « *Air prévu pour la combustion et la ventilation* », aux États-Unis. Renseignez-vous auprès des autorités locales pour connaître les autres règles ou règlements municipaux relativement au code du bâtiment.

### ⚠ ATTENTION ⚠

**L'AIR PRÉVU POUR LA COMBUSTION ET LA VENTILATION NE DOIT PAS ÊTRE TIRÉ D'UN ENVIRONNEMENT CORROSIF. TOUTE DÉFAILLANCE DE LA FOURNAISE PROVOQUÉE PAR DES ÉLÉMENTS CORROSIFS NE SERA PAS COUVERTE PAR LA GARANTIE.**

En raison des expositions aux substances chimiques, les fournaises installées dans les types d'environnement suivants (la liste n'étant pas exhaustive) devront être pourvues d'une PRISE D'AIR EXTÉRIEUR :

- Immeubles commerciaux
- Immeubles avec piscine intérieure
- Buanderie
- Salles de bricolage et d'artisanat
- À proximité d'aires d'entreposage de produits chimiques

L'air comburant doit être exempt de substances acidifiantes telles que du soufre, du fluor ou du chlore. Ces éléments sont présents dans les bombes aérosols, détergents, javellisants, solvants de dégraissage, assainisseurs d'air, décapants à peinture et vernis, fluides frigorigènes, ainsi que dans de nombreux autres produits commerciaux et domestiques. En brûlant par le gaz, les vapeurs émanant de ces produits forment des composés acides. Ces derniers accroissent la température de condensation des produits de combustion et, après condensation, ils sont extrêmement corrosifs.

H13.0A

## 8.1 ESTIMATION DU VOLUME D'AIR COMBURANT

### 8.1.1 EXEMPLE 1 : INSTALLATION DE LA FOURNAISE DANS UN ESPACE NON CONFINÉ

Même dans un espace non confiné, il sera peut-être nécessaire que l'air de ventilation provienne de l'extérieur, plus particulièrement dans les maisons étanches. Les exigences minimales relatives à un espace non confiné, pour tous les appareils à combustion qui y sont installés, est de 50 pieds cubes (1.42 m<sup>3</sup>) pour chaque 1000 BTU/h.

Si l'air comburant et de ventilation est insuffisant pour faire fonctionner la fournaise et les autres appareils à combustion installés dans l'espace non confiné, il sera nécessaire d'acheminer cet air de l'extérieur, selon le critère utilisé dans le calcul de l'alimentation en air pour un espace confiné.

#### NOTE

Si vous installez la fournaise dans un espace non confiné, tout en prévoyant utiliser l'air intérieur, n'oubliez pas d'en vérifier le bon fonctionnement (de même que celui des autres appareils à combustion installés dans ce même espace), concernant la combustion et la ventilation, en ouvrant les registres du foyer, en faisant fonctionner le sèche-linge, les ventilateurs d'extraction de la salle de bains, la hotte de la cuisinière, etc.

H13.1

### 8.1.2 EXEMPLE 2 : INSTALLATION DE LA FOURNAISE DANS UN ESPACE CONFINÉ

Un espace confiné, c'est-à-dire tout espace de dimensions inférieures à celles mentionnées dans l'Exemple 1, doit être pourvu de deux ouvertures d'air : une à moins de 12" (305 mm) du plafond, l'autre à moins de 12" (305 mm) du plancher. La dimension des ouvertures d'air dépendra de la provenance de l'air de combustion et de ventilation (de l'intérieur ou de l'extérieur) et du moyen d'approvisionnement en air extérieur (le cas échéant). De plus, la dimension devra tenir compte de tous les autres appareils à combustion installés dans l'espace confiné.

Si l'apport d'air comburant et de ventilation provenant de l'intérieur est suffisant pour la fournaise et tous les autres à combustion, alors la dimension de chacune des ouvertures doit suivre la règle suivante : un pouce carré (645 mm<sup>2</sup>) d'espace libre par 1000 BTU/h. (Figure 4)

#### NOTE

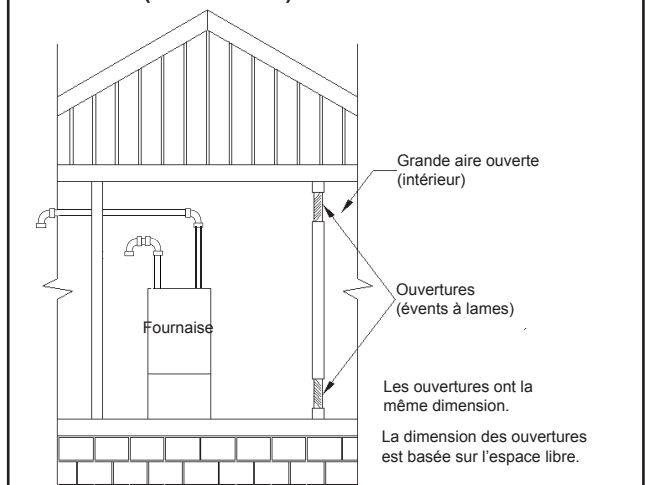
N'oubliez pas que votre calcul doit tenir compte des sèche-linge, ventilateurs de salle de bains, hottes de cuisinière, etc.

La dimension minimale de ces ouvertures est de 100 pouces carrés (645 mm<sup>2</sup>), même dans le cas des modèles de fournaise dont le rendement est inférieur à 100 000 BTU/h.

#### NOTE

Si les ouvertures sont couvertes d'une grille, chacune des grilles doit compter dans le calcul de l'espace libre. Habituellement, l'espace libre d'une grille installée sur un mur équivaut environ à 50 % de sa taille nominale. Par conséquent, si l'ouverture exigée est de 10 x 10" (254 mm x 254 mm), alors elle devra être doublée si une grille avec un espace libre de 50 % est installée sur un mur.

FIGURE 4 - AIR DE COMBUSTION/DILUTION DE SOURCES INTÉRIEURES CHAUFFÉES (EXEMPLE 2)



#### IMPORTANT :

SI UN VENTILATEUR D'EXTRACTION, UN FOYER, UN SÈCHE-LINGE OU TOUT AUTRE APPAREIL SEMBLABLE EST INSTALLÉ DANS L'ESPACE INTÉRIEUR D'OÙ L'AIR COMBURANT ET DE VENTILATION EST TIRÉ, UN PROBLÈME DE PRESSION NÉGATIVE POURRAIT SURVENIR, ET CE, SI LE VOLUME D'AIR QUI S'INFILTRE NATURELLEMENT DE L'EXTÉRIEUR EST DIFFÉRENT DE CELUI QUI EST ÉVACUÉ.

H13.2D

### 8.1.3 EXEMPLE 3 : INSTALLATION DE LA FOURNAISE DANS UN ESPACE CONFINÉ, L'AIR EXTÉRIEUR PROVENANT DU GRENIER OU D'UN ESPACE RESTREINT

Dans une telle situation, l'espace libre de chacune des deux ouvertures de combustion et de ventilation est basé sur un minimum de 1 pouce carré (645 mm<sup>2</sup>) par 4000 BTU/h. De même, une ouverture pourrait être pratiquée dans le plancher afin de tirer l'air comburant et de ventilation de l'espace restreint ventilé.

Quant à l'autre ouverture, elle pourra être pratiquée dans un grenier ventilé. Si l'air provient du grenier, assurez-vous que l'ouverture est canalisée à partir du plafond et qu'elle se trouve bien au-dessus de l'isolant. Le grenier doit être adéquatement ventilé, en utilisant des dispositifs de ventilation ou des événements de pignon (Figure 5).

Au lieu de faire une ouverture dans le plancher pour tirer l'air d'un espace restreint, vous pouvez installer un conduit dans le grenier et le prolonger jusqu'à 12" (305 mm) au-dessus du plancher.

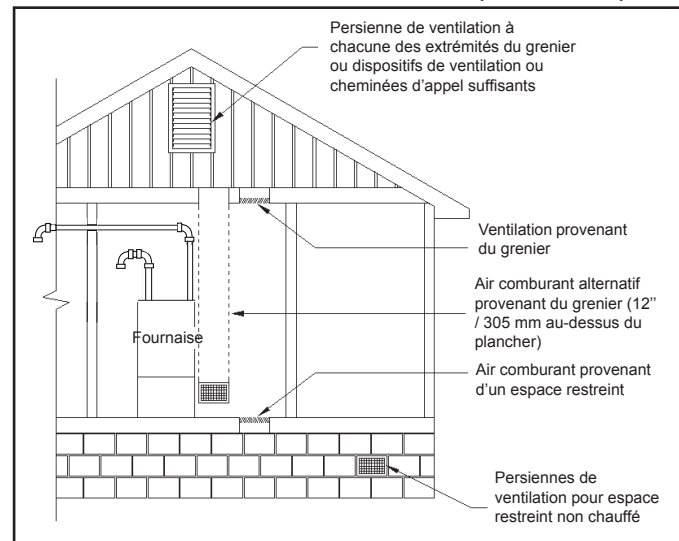
Le tableau suivant indique la dimension minimale des aires libres et le diamètre minimal des conduits, dans le cas où l'air comburant de la fournaise seulement est tiré du grenier ou d'un espace restreint. Si d'autres appareils à combustion sont installés, les besoins de ceux-ci en air comburant et de ventilation doivent être ajoutés à ceux de la fournaise.

TABLEAU 2 - APPORT D'AIR VERTICAL (EXEMPLE 3)

Débit K/Btu/hr	Espace libre Ch. ouverture	Diamètre du conduit
40	15 po <sup>2</sup> (97cm <sup>2</sup> )	5 po (127mm)
60		
80	20 po <sup>2</sup> (129cm <sup>2</sup> )	6 po (152mm)
100	25 po <sup>2</sup> (161cm <sup>2</sup> )	
120	30 po <sup>2</sup> (194cm <sup>2</sup> )	7 po (178mm)

H12.16.7A

FIGURE 5 - PRISE D'AIR EXTÉRIEUR DANS LE GRENIER OU UN ESPACE RESTREINT (EXEMPLE 3)



#### **IMPORTANT :**

SI LE GRENIER EST POURVU D'UN VENTILATEUR D'EXTRACTION (VENTILATION À AIR PULSÉ), IL EST POSSIBLE QU'UNE PRESSION NÉGATIVE SOIT CRÉÉE ET QU'ELLE SOIT SUFFISANTE POUR EMPÊCHER LE GRENIER DE FOURNIR UN AIR COMBURANT ET DE VENTILATION ADÉQUAT. EN GÉNÉRAL, LES VENTILATEURS À AIR PULSÉ DU GRENIER NE FONCTIONNENT PAS DURANT LA SAISON DE CHAUFFAGE, À L'EXCEPTION DE CERTAINS QUI SONT CONTRÔLÉS PAR UN HYGROSTAT ET UN THERMOSTAT. LES SOLUTIONS À CE PROBLÈME : A. OPTEZ POUR LE SYSTÈME D'ÉVENT DIRECT; B. INSTALLEZ LA PRISE D'AIR EXTÉRIEUR AILLEURS; OU C. SYNCHRONISEZ LE VENTILATEUR D'EXTRACTION ET LA FOURNAISE POUR ÉVITER QUE LES DEUX FONCTIONNENT SIMULTANÉMENT.

H13.3C

### 8.1.4 EXEMPLE 4 : INSTALLATION DE LA FOURNAISE DANS UN ESPACE CONFINÉ, CONDUIT D'AIR EXTÉRIEUR HORIZONTAL

Tout comme dans l'exemple 3, l'air comburant et de ventilation peut être acheminé par un conduit horizontal. L'espace libre de chacune des ouvertures est évalué selon un minimum de 1 pouce carré (645 mm<sup>2</sup>) par 2000 BTU/h de débit.

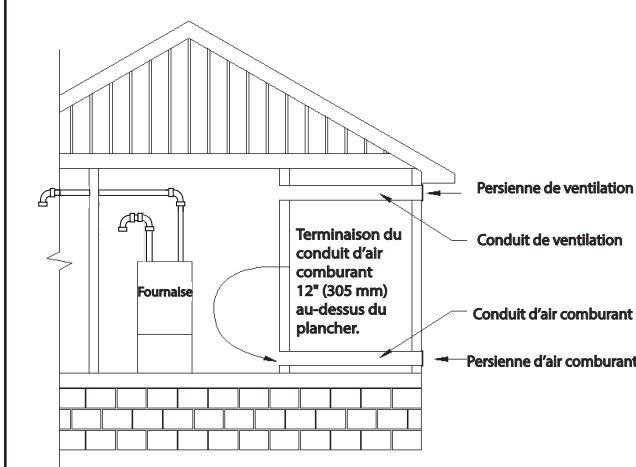
Le tableau suivant indique la dimension minimale des aires libres et le diamètre minimal des conduits, dans le cas où l'air comburant de la fournaise seulement est tiré de l'extérieur par un conduit horizontal. Si d'autres appareils à combustion sont installés, les besoins de ceux-ci en air comburant et de ventilation doivent être ajoutés à ceux de la fournaise.

**TABLEAU 3 - APPORT D'AIR HORIZONTAL (EXEMPLE 4)**

Débit K/Btu/hr	Espace libre Ch. ouverture	Diamètre du conduit
40	30 po <sup>2</sup> (194 cm <sup>2</sup> )	7 po (178 mm)
60		
80	40 in <sup>2</sup> (258cm <sup>2</sup> )	8 po (203 mm)
100	50 in <sup>2</sup> (323cm <sup>2</sup> )	
120	60 in <sup>2</sup> (387cm <sup>2</sup> )	9 po (229mm)

H12.9.7A

**FIGURE 6 - AIR COMBURANT TIRÉ DE L'EXTÉRIEUR, HORIZONTAL (EXEMPLE 4)**



**IMPORTANT :**

LES GRILLES EXTÉRIEURES DOIVENT ÊTRE INSTALLÉES DANS UN ENDROIT OÙ ELLES SERONT PROTÉGÉES DE TOUTE OBSTRUCTION.

**IMPORTANT :**

SI VOUS INSTALLEZ DES GRILLES SUR LE MUR EXTÉRIEUR, CELLES-CI DOIVENT AVOIR LES DIMENSIONS APPROPRIÉES. LA PLUPART DES GRILLES INSTALLÉES SUR UN MUR N'ONT QU'UN ESPACE LIBRE DE 50 %. SUPPOSONS UN APPAREIL DONT LE DÉBIT EST DE 100 000 BTU/H. POUR QU'IL AIT ACCÈS À UN VOLUME D'AIR COMBURANT ET DE VENTILATION ADÉQUAT, IL FAUDRAIT, PAR EXEMPLE, DEUX CONDUITS DE 8" (203 MM) DE DIAMÈTRE OU UN CONDUIT RECTANGULAIRE ÉQUIVALENT DE 8 X 7" (203 MM X 178 MM) . EN ADMETTANT QUE LES GRILLES ONT UN ESPACE LIBRE DE 50 %, ALORS LA TAILLE RÉELLE DE LA GRILLE DEVRAIT ÊTRE DE 14 X 8" (356 MM X 203 MM) OU L'ÉQUIVALENT. POUR ACCOMMODER LE CONDUIT DE PLUS PETITE TAILLE, VOUS DEVREZ PEUT-ÊTRE UTILISER UN RACCORD DE TRANSITION.

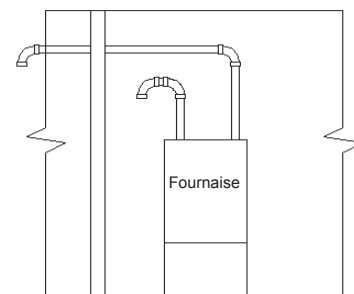
H13.4C

### 8.1.5 RACCORDEMENT AU SYSTÈME D'ÉVENT INDIRECT DE LA FOURNAISE

**IMPORTANT :**

SI LA CONFIGURATION FAIT APPEL À L'AIR INTÉRIEUR OU AU SYSTÈME D'ÉVENT INDIRECT, LA PRISE D'AIR COMBURANT DE LA FOURNAISE DOIT ÊTRE PROTÉGÉE CONTRE LES BLOCAGES. SI L'AIR COMBURANT EST TIRÉ DU HAUT, UTILISEZ UN AGENCEMENT À COUDE DOUBLE. SI L'AIR COMBURANT EST ACHÉMINÉ LATÉRALEMENT, UTILISEZ UN SEUL COUDE ET ORIENTEZ-LE VERS LE BAS. (FIGURE 7)

**FIGURE 7 - PRISE D'AIR COMBURANT INDIRECTE**



H13.5C

## 9.0 DIRECTIVES D'ÉVACUATION

### ⚠ ATTENTION ⚠

LE NON-RESPECT DE TOUTES LES DIRECTIVES D'ÉVACUATION PROVOQUERAIT UN FONCTIONNEMENT IRRÉGULIER DE LA FOURNAISE, LE GEL DES CONDUITS D'ÉVACUATION OU DE LA SUIE.

### ⚠ AVERTISSEMENT ⚠

**ASSUREZ-VOUS DE BIEN COMPRENDRE ET DE SUIVRE LES DIRECTIVES DE CETTE SECTION. UNE ÉVACUATION INADÉQUATE DE LA FOURNAISE PEUT CAUSER UN INCENDIE, UNE EXPLOSION, UN EMPOISONNEMENT AU MONOXYDE DE CARBONE, OCCASIONNANT DES DOMMAGES MATÉRIELS, DES BLESSURES CORPORELLES OU DES PERTES DE VIE.**

H3.12

#### NOTE

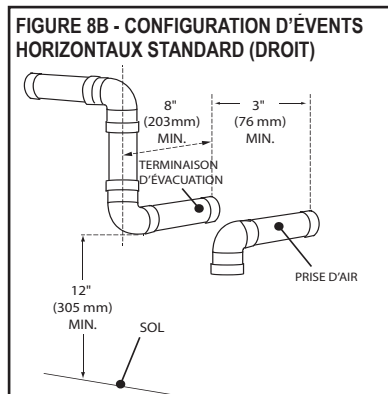
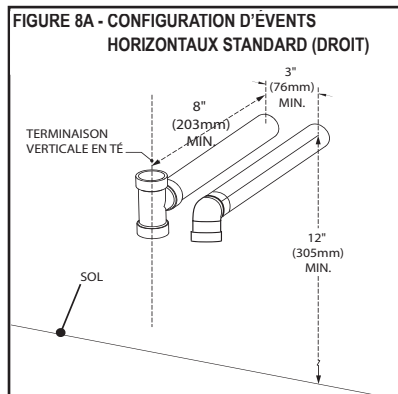
- Pour les petites caissons de 80KTBU et les grandes caissons de 120KTBU, il est recommandé d'installer la prise d'air sur le côté de la fournaise pour une alimentation idéale en air de combustion.
- Inspectez régulièrement la prise d'air comburant et la terminaison d'évacuation pour vous assurer qu'elles ne sont pas bloquées par de la végétation, des débris, de la neige, etc.
- **Une accumulation de neige autour de la prise d'air comburant et de la terminaison d'évacuation peut nuire au bon fonctionnement de l'appareil. Ainsi, lors du choix de l'emplacement de la prise d'air comburant et de la terminaison d'évacuation, vous devez tenir compte des accumulations de neige.**

#### **IMPORTANT :**

- NETTOYEZ ET POLISSEZ TOUTES LES EXTRÉMITÉS DÉCOUPÉES DES CONDUITS (INCLUANT LES SECTIONS DE CONDUIT NON DÉCOUPÉES). ÉVITEZ QUE LES ROGNURES BLOQUENT LE CONDUIT D'ÉVACUATION, LA PRISE D'AIR COMBURANT ET LES CONDUITS DE DRAINAGE DU CONDENSAT.
  - SI LES CONDUITS ET LES RACCORDS NE SONT PAS EN PVC, UTILISEZ LE NETTOYANT, L'APPRÊT ET L'ADHÉSIF APPROPRIÉS POUR UNIR DES MATÉRIAUX DIFFÉRENTS.
  - **LE CONDUIT D'ÉVACUATION DOIT ÊTRE SUPPORTÉ ADÉQUATEMENT AVANT D'ÊTRE RACCORDÉ AU VENTILATEUR D'ÉVACUATION ET, EN AUCUN CAS, CE DERNIER NE DOIT SUPPORTER LE POIDS DU SYSTÈME D'ÉVACUATION.**
  - L'évacuation peut se faire à la verticale ou à l'horizontale.
  - Longueur minimale du conduit : 15 pieds (4.6 m) total. (Voir le tableau d'évacuation)
  - Pour permettre l'évacuation du condensat, les conduits horizontaux doivent être inclinés d'un minimum de 1/4" par pied (18 mm) vers la fournaise.
  - Les courses horizontales doivent être supportées tous les 5 pieds (1,524 m). Les sections horizontales doivent être sans inclinaison, ni flexion.
  - Toutes les courses exposées à un risque de gel doivent être isolées avec un manchon Armaflex ou une toile Rubatex, pourvu que le conduit ne soit pas entouré de câble chauffant. Si les courses horizontales sont susceptibles d'être exposées à des accumulations d'eau, enveloppez les conduits de câble chauffant de 3 ou 5 watts. Le câble chauffant doit être homologué CSA, UL ou ULC et installé selon les directives du fabricant. **Ceci comprend les installations qui passent dans un grenier non conditionné.**
  - LES MÊMES CONDUITS D'ÉVACUATION NE DOIVENT PAS SERVIR D'AUTRES APPAREILS.
  - L'évacuation verticale ne doit pas se faire par une cheminée desservant un autre appareil, ni ne doit être installée dans une gaine munie d'un conduit en métal ou en plastique résistant aux températures élevées qui sert à un autre appareil à combustion au gaz ou autre combustible, à moins que les dégagements aux matériaux combustibles puissent être conservés entre le système d'évacuation de la fournaise et les autres conduits.
- Il est recommandé de créer un décalage (2 x 45 ° s) dans la tuyauterie d'évacuation verticale pour réduire le risque d'inondation de l'aspirateur avec une fuite excessive de condensat d'évent.

L'installation de tous les conduits d'évacuation doit être conforme à la norme CAN/CGA-B149, au Canada; à la norme NPA 54/ANSI Z223.1 de la dernière édition du National Fuel Gas Code, aux États-Unis, de même qu'à tous les codes locaux.

Les dimensions des conduits d'air comburant et d'évacuation doivent respecter les indications du Tableau 4. En évaluant les longueurs de conduits permises, n'oubliez pas de tenir compte de tous les raccords et de considérer le conduit concentrique en tant que conduit droit.



**L'évent de type périscope (figure 9) doit être utilisé dans les climats de froid extrême, soit une température de -22 °F (-30 °C) qui perdure pendant 48 heures ou plus.**

Prévoyez l'emplacement du système d'évacuation en fonction de l'orientation de l'immeuble et de la présence, à proximité, d'autres immeubles et structures. Certaines structures externes pourraient créer de la turbulence autour de la terminaison d'évacuation, ce qui engendrerait un contre-tirage et d'autres problèmes d'évacuation semblables. Dans des endroits venteux et accidentés, l'installation de l'évacuation sur le toit pourrait améliorer le fonctionnement. La longueur maximale des conduits est établie selon des vents de 30 mi/h (48 km/h). Dans les endroits plus venteux, il serait préférable de réduire la longueur du conduit horizontal.

Lors de l'installation de la fournaise avec évacuation directe, l'évent et l'admission d'air de combustion doivent être installés de façon à les deux sont situés dans la même zone de pression du vent.

H14.0C

## 9.1 TERMINAISON D'ÉVACUATION

Les événements horizontaux devraient passer à travers le mur extérieur. La Figure 8 illustre une configuration des événements horizontaux standard. La terminaison des conduits doit se trouver à 8 po (203 mm) ou plus du mur.

Les conduits extérieurs de plus de 24" (610 mm) de longueur devraient être recouverts d'une couche isolante de 1/2" (13 mm) d'épaisseur pour empêcher l'humidité de geler et de s'accumuler dans les conduits.

La dimension du conduit d'évacuation doit respecter les indications du *Tableau 4 - Longueurs des conduits d'évent direct et indirect*. Ce tableau définit les longueurs maximales permises des conduits en fonction du nombre de coudes de 90° utilisé. Aux fins du calcul, un coude de 90° équivaut à deux coudes de 45°.

Évitez d'installer la terminaison d'évacuation dans des endroits où l'écoulement du condensat pourrait occasionner des problèmes, comme au-dessus d'un trottoir, d'un patio, de jardinières, près des fenêtres (où les produits de l'évacuation causeraient de la buée), etc. De même, la terminaison ne devrait pas être placée trop près des arbustes ou d'autres végétations. Le condensat risquerait d'en retarder la croissance ou de les faire mourir.

### ÉQUIVALENCES :

Coude court de rayon = 7' (pieds) (2.13 m)

Rayon standard coude = 5' (pieds) (1.52 m)

Long rayon coude = 3' (pieds) (0.91 m)

Coude de 45° = 2.5' (pieds) (.76 m)

Té

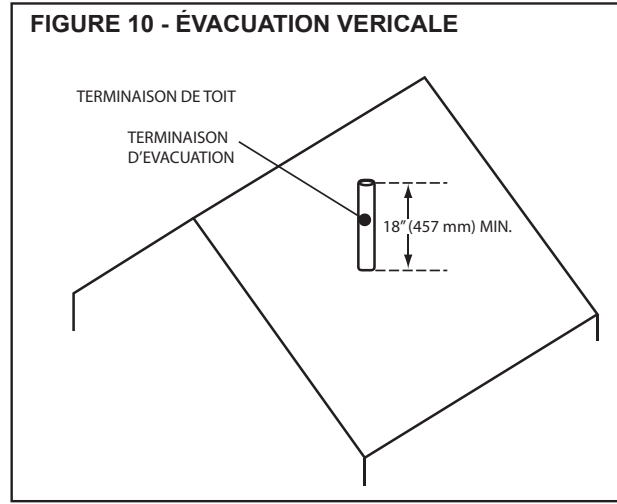
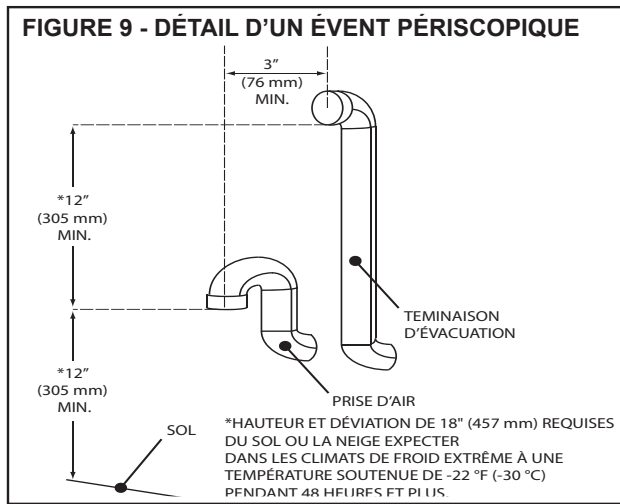
Les longueurs d'évent qui nécessitent plus de 6-90 ° revêtues, ajouter cotées équivalents pour chaque coude jusqu'à la longueur maximale autorisée.

**TABLEAU 4 - LONGUEURS DES CONDUITS D'ÉVENT DIRECT ET INDIRECT**  
Longueur maximale permise des conduits d'évacuation et d'alimentation en air.  
Longueur minimale du conduit : 15 pieds ou l'équivalent.

DÉBIT kBTU/h	DI- MENS. CON- DUIT	NOMBRE DE COUDES DE 90°							NOTES
		0	1	2	3	4	5	6	
40**	1 1/2	60*	55	50	45	40	35	30	1. Considérez un raccord de conduit concentrique comme un conduit droit. 2. Utilisez des coudes à moyen et grand rayons, lorsque possible. 3. Un coude de 90° équivaut à deux coudes de 45°. 4. Dans le cas d'un système d'évent direct, les longueurs indiquées sont permises pour chacun des conduits (alimentation en air et évacuation). 5. Pour le système d'évent indirect, les longueurs indiquées ne s'appliquent qu'à l'évacuation. La prise d'air doit être munie d'un raccord à col recourbé de 1 1/2 à 2". (Figure 7)
	2, 2 1/2	75*	70	65	60	55	50	45	
60	1 1/2	60*	55	50	45	40	35	30	
	2, 2 1/2	75*	70	65	60	55	50	45	
80	3	100*	95	90	85	80	75	70	
	2, 2 1/2	50*	45	40	35	30	25	20	
100	3	100*	95	90	85	80	75	70	
	2, 2 1/2	50*	45	40	35	30	25	20	
120	3	100*	95	90	85	80	75	70	

**NOTE** À la sortie du caisson, le conduit doit avoir 2", même si vous utilisez des conduits de 1 1/2, 2 1/2 ou 3". Réduisez ou augmentez la taille du conduit d'alimentation en air et du conduit d'évacuation dès la sortie du caisson.  
\* **Apport admissible maximal et longueurs d'évent d'échappement.**  
\*\* **Le unité de 40 000 doivent être ventilées avec un conduit de 1 1/2" si la longueur totale est de moins de 25 pi (7,6 m).**

H12.4.6A



## ⚠ ATTENTION ⚠

L'HUMIDITÉ DES GAZ DE COMBUSTION SE CONDENSE DÈS QU'ILS SONT ÉVACUÉS. CETTE HUMIDITÉ PEUT GELER SUR LES MURS EXTÉRIEURS, LES SOFFITES ET AUTRES OBJETS À PROXIMITÉ. UNE CERTAINE DÉCOLORATION EST POSSIBLE. TOUTEFOIS, UNE INSTALLATION OU UN EMPLACEMENT INADÉQUATS PEUVENT OCCASIONNER DES DOMMAGES STRUCTURAUX OU ARCHITECTURAUX À L'IMMEUBLE.

Calfeutrer tous les joints et fissures dans un rayon de 6 pieds (1,8 m) de la terminaison.

N'installez pas la terminaison sous une terrasse en bois, à moins que les dégagements permettent d'éviter les dommages causés par les gaz de combustion. La terminaison peut être située à l'extrémité d'une terrasse en bois. Les conduits disposés sous la terrasse en bois doivent être bien isolés et suspendus de façon à empêcher l'accumulation et le gel du condensat.

Lors de la localisation des terminaisons d'évènement, il faut tenir compte des vents dominants, de l'emplacement et d'autres conditions. Ces conditions peuvent provoquer la recirculation des produits de combustion des évènements adjacents. Ne placez pas le terminal sur le côté du bâtiment face aux vents d'hiver dominants.

H14.1D

## 9.2 AU CANADA

Au Canada, en plus de respecter les directives générales, la terminaison du système d'évènement ne doit pas être installée :

- Directement au-dessus d'un trottoir ou d'une entrée pavée, situés entre deux maisons unifamiliales et servant aux deux maisons.
- À moins de 7 pieds (2,1 m) au-dessus d'un trottoir ou d'une entrée pavée situés sur une propriété publique.
- À moins de 6 pieds (1,8 m) de la prise d'air mécanique de tout immeuble.
- Au-dessus d'un ensemble de régulateur/compteur et à moins de 3 pieds (,91 m) mesurés horizontalement depuis la ligne du centre du régulateur.
- À moins de 3 pieds (0,91 m) de tout évènement de régulateur.
- À moins de 12" (305 mm) au-dessus du sol ou du niveau prévu d'accumulation de neige.
- À moins de 12" (305 mm) de toute porte, fenêtre ou prise d'air mécanique de tout immeuble.
- À moins de 12" (305 mm) de la prise d'air comburant de tout autre appareil.
- Sous une véranda, un balcon ou une terrasse en bois, à moins que (a) la véranda, le balcon ou la terrasse en bois soient complètement ouverts sur un minimum de deux côtés sous le plancher, et (b) que la distance entre le dessus de la terminaison d'évacuation et le dessous de la véranda, du balcon ou de la terrasse en bois soit supérieure à 12" (305 mm).

H14.2A

## 9.3 AUX ÉTATS-UNIS

Aux États-Unis, en plus de respecter les directives générales, la terminaison du système d'évènement indirect doit être installée selon les directives suivantes :

- Le dégagement entre le dessous de la terminaison et le sol doit être de 12" (305 mm).
- La terminaison ne doit pas être située au-dessus des trottoirs publics ou au-dessus d'une zone où les condensats ou les vapeurs pourraient nuire ou occasionner des dangers.
- La terminaison doit être installée à une distance de 4 pieds (1,2 m) sous, à une distance horizontale de 4 pieds (1,2 m) de, ou à une distance d'un pied au-dessus de toute porte, fenêtre, soffite, ou encore sous l'évènement d'avant-toit ou sous une prise d'air par gravité de l'immeuble.
- Le dégagement horizontal minimal de la terminaison doit être de 4 pieds (1,2 m) d'un compteur d'électricité, d'un compteur de gaz, de régulateurs ou d'un équipement de dépannage.

W415-2306 / C / 09.22.20

- Placez la terminaison d'évacuation à 3 pieds (0,91 m) au-dessus d'une prise d'air située à moins de 10 pieds (3 m). Toute prise d'air ou d'air d'appoint destinée, par exemple, à un sèche-linge ou une fournaise est considérée comme une prise d'air.

La terminaison d'évacuation doit être située à au moins 3 pieds (0,91 m) d'un coin intérieur formé par deux murs extérieurs.

Le dégagement minimal recommandé des éléments en surplomb est de 1 pied (0,3 m) sur la verticale pour chaque pied sur l'horizontale, jusqu'à 6 pieds (1,8 m).

H14.3

## 9.4 INSTALLATIONS DE L'ÉVACUATION DE LA FOURNAISE

### ! AVERTISSEMENT !

**ASSUREZ-VOUS DE BIEN COMPRENDRE ET DE SUIVRE LES DIRECTIVES DE CETTE SECTION. UNE ÉVACUATION INADÉQUATE DE LA FOURNAISE PEUT CAUSER UN INCENDIE, UNE EXPLOSION, UN EMPOISONNEMENT AU MONOXYDE DE CARBONE, OCCASIONNANT DES DOMMAGES MATÉRIELS, DES BLESSURES CORPORELLES OU DES PERTES DE VIE.**

H3.14

### 9.4.1 INSTALLATION DU SYSTÈME D'ÉVENT INDIRECT AVEC AIR COMBURANT INTÉRIEUR (SYSTÈME À CONDUIT UNIQUE)

Les systèmes d'évent indirect ne requièrent qu'un seul conduit d'évent. Cela pourrait s'avérer utile lorsqu'il n'est pas pratique d'utiliser l'air comburant extérieur.

- Aucune disposition n'a été prévue pour l'acheminement de l'air comburant.
- L'environnement extérieur pourrait contenir des contaminants indésirables pour la combustion.
- Installez et fixez un petit bout de conduit de prise d'air de 8 po (20 cm) à l'aide d'un coude de 90° pour éviter que des objets pénètrent dans la zone du brûleur ou que des objets bloquent la prise d'air comburant.**

H14.4A

### 9.4.2 INSTALLATION DU SYSTÈME D'ÉVENT DIRECT AVEC AIR COMBURANT EXTÉRIEUR (SYSTÈME À DEUX CONDUITS)

Le système d'évent direct est la configuration d'installation recommandée. Les principaux avantages sont :

- Avec le système d'évent direct, il n'est pas nécessaire de faire des modifications ou d'utiliser un ensemble.
- En ayant des conduits d'air comburant et d'évacuation dédiés, il n'est pas nécessaire d'utiliser un air réchauffé aux fins de la combustion.
- Le risque que l'air comburant contienne des contaminants corrosifs est très faible.
- Le rendement d'un appareil à système d'évent direct n'est pas influencé par les autres appareils, ventilateurs d'extraction ou autres dispositifs qui ont tendance à créer une pression négative en fonctionnant.
- Dans les espaces confinés, il n'est pas nécessaire d'installer des conduits pour l'air comburant.

H14.5

### 9.4.3 AIR COMBURANT

Cette fournaise est certifiée en tant que fournaise à système d'évent direct et indirect de type FSP, de Catégorie IV. Lorsqu'installée en tant que fournaise à système d'évent direct, tout l'air comburant est tiré de l'extérieur par le système de conduits en plastique. Tous les composants sont fournis sur place, à l'exception du raccord de 2" en PVC utilisé pour raccorder le conduit d'air comburant à la fournaise.

Le conduit d'air comburant, tout comme le conduit d'évacuation, doit être étanche dans l'ensemble du système. L'adaptateur qui unit le conduit d'air comburant à la fournaise est fourni avec un joint d'étanchéité.

#### **IMPORTANT :**

- SI VOUS PRÉVOYEZ INSTALLER DES CONDUITS EN ABS, UTILISEZ UN NETTOYANT TOUT USAGE ET UN ADHÉSIF POUR JOINT ABS À PVC. SI VOUS PRÉVOYEZ INSTALLER DES CONDUITS EN PVC-C, UTILISEZ UN NETTOYANT TOUT USAGE, UN APPRÊT TRANSPARENT OU VIOLET, ET UN ADHÉSIF TOUT USAGE APPROUVÉ POUR CET USAGE.**
- VOUS POUVEZ OBTENIR D'AUTRES RENSEIGNEMENTS SUR LES NETTOYANTS, APPRÊTS, SOLVANTS ET ADHÉSIFS AUPRÈS DES FABRICANTS DE CES PRODUITS.**
- SI VOUS INSTALLEZ LA FOURNAISE À PROXIMITÉ D'AUTRES APPAREILS À COMBUSTION, UN VOLUME D'AIR COMBURANT ADÉQUAT DEVRA ALIMENTER LES APPAREILS À SYSTÈME D'ÉVENT INDIRECT. VOIR LA SECTION 8.1, « ESTIMATION DU VOLUME D'AIR COMBURANT ».**

H14.6

## 10.0 TERMINAISONS

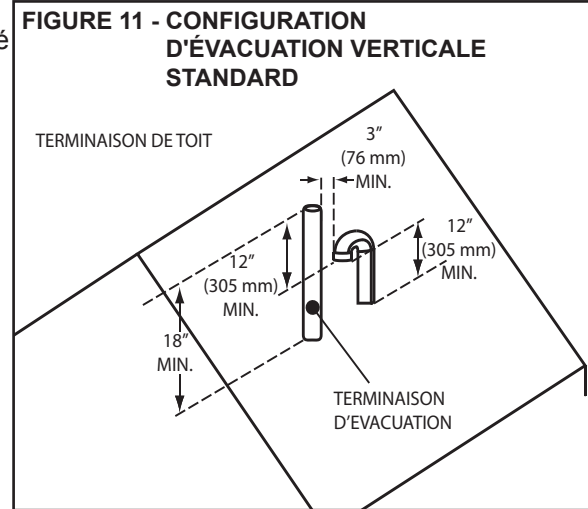
### 10.1 AIR COMBURANT

**HORIZONTALE :** La terminaison du conduit d'air comburant consiste en un coude de 90° à moyen ou grand rayon orienté vers le bas, et ce, afin d'empêcher la pluie de pénétrer dans le conduit d'air comburant.

Si une « configuration directe » vous empêche de respecter les dégagements au sol requis, alors le conduit d'air comburant peut être prolongé jusqu'à 24" (610 mm) de hauteur. (Figure 9)

**VERTICALE :** La terminaison du conduit d'air comburant consiste en deux coudes de 90° à moyen ou grand rayon orientés vers le bas, et ce, afin d'empêcher la pluie de pénétrer dans le conduit d'air comburant.

La prise d'air comburant doit être située à au moins 12" (305 mm) au-dessus du sol ou la neige expecter et à 12" (305 mm) sous la sortie d'évacuation. (Figure 11)



H15.1A

### 10.2 ÉVACUATION

**HORIZONTALE :** La terminaison d'évacuation peut se terminer par un té, un coude de 45° ou un coude de 90° à moyen ou à grand rayon, orienté à 45° vers le bas et éloigné de la prise d'air comburant. Cela est utile pour une installation dans un endroit où la charge éolienne est supérieure aux charges éoliennes extrêmes (élevées).

Si une « configuration directe » vous empêche de respecter les dégagements au sol requis, alors le conduit d'évacuation peut être prolongé jusqu'à 24" (610 mm) de hauteur. (Figure 9) Dans ce cas, les gaz de combustion peuvent être évacués horizontalement. Pour ce faire, utilisez un conduit de même dimension que le conduit intérieur, en comptant les raccords et la longueur du conduit dans la longueur totale du conduit d'évacuation.

S'il est possible que les vents dominants d'hiver puissent souffler les gaz de combustion dans la prise d'air comburant, alors la terminaison d'évacuation peut être installée 18 à 24" (457 mm x 610 mm) au-dessus de la prise d'air comburant. Ceci contribuera à empêcher la recirculation des gaz de combustion. (Figure 9)

**VERTICALE :** Si l'évacuation se fait verticalement à travers un toit, aucun raccord de terminaison n'est requis. L'extrémité du conduit d'évacuation doit être 12" (305 mm) plus haut que l'entrée de la prise d'air comburant. (Figure 11)

Le conduit d'évacuation qui sort du toit doit se prolonger d'au moins 18" (457 mm) au-dessus de toute obstruction, et ce, à l'intérieur d'une distance horizontale de 18" (457 mm).

Isolez tous les événements se prolongeant de 24" (610 mm) et plus à l'extérieur.

**NOTE:** Nettoyez toujours le collet du ventilateur d'évacuation après l'installation. Les rognures produites lors de l'installation initiale du conduit d'évacuation pourraient bloquer le collet du ventilateur d'évacuation.

H15.2B

### 10.3 ENSEMBLE DE TERMINAISON D'ÉVACUATION CONCENTRIQUE

Vous pouvez utiliser les ensembles de terminaison d'évacuation concentrique avec ce modèle de fournaise. Ainsi, l'apport d'air comburant et l'évacuation des produits de combustion n'exigeront qu'une seule ouverture dans le mur extérieur. Ceci peut s'avérer pratique lorsque l'espace disponible est limité. Les ensembles suivants sont disponibles :

- Ensemble de 2" de diamètre #196005 (pour modèles de 30, 40, 60 et 80 k BTU) - ensemble Wolf Steel W370-0019.
- Ensemble de 3" de diamètre #196006 (pour modèles de 80, 100, et 120 k BTU) - ensemble Wolf Steel W370-0020.
- Les terminaisons sont fabriquées par IPEX Inc. Voir les instructions d'installation pour les détails.

Si l'évacuation se fait par un conduit de 1 1/2", et qu'un ensemble de terminaison d'évacuation concentrique est nécessaire, vous pouvez utiliser un raccord agrandisseur pour unir la terminaison concentrique de 2". Pour plus de détails et d'autres directives d'installation, lisez les instructions fournies avec l'ensemble. Les courses verticales droites doivent avoir une déviation afin de diriger la vapeur d'eau contre les parois du conduit d'évacuation.

---

H15.3

## 10.4 INSTRUCTIONS D'INSTALLATION DE LA TERMINAISON D'ÉVACUATION CONCENTRIQUE

Pour installer l'ensemble de terminaison d'évacuation concentrique, suivez les directives du fabricant. Procurez-vous ces directives en communiquant avec le fabricant de la fournaise. Les coordonnées du fabricant de la fournaise sont inscrites sur la couverture avant de ce manuel d'instructions d'installation et d'opération.

---

H15.4

## 10.5 EMBLACEMENT

Évitez d'installer les terminaisons dans un endroit où les gaz de combustion pourraient stagner et recirculer dans la prise d'air comburant.

Évitez d'installer la terminaison d'évacuation dans des endroits où l'écoulement du condensat pourrait occasionner des problèmes, comme au-dessus d'un trottoir, d'un patio, de jardinières, près des fenêtres (où les produits de l'évacuation causeraient de la buée), etc.

De même, la terminaison ne devrait pas être placée trop près des arbustes ou d'autres végétations. Le condensat risquerait d'en retarder la croissance ou de les faire mourir.

Calfeutrer tous les joints et fissures dans un rayon de 6 pieds (1,8 m) de la terminaison.

N'installez pas la terminaison sous une terrasse en bois, à moins que les dégagements permettent d'éviter les dommages causés par les gaz de combustion. La terminaison peut être située à l'extrémité d'une terrasse en bois. Les conduits disposés sous la terrasse en bois doivent être bien isolés et suspendus de façon à empêcher l'accumulation et le gel du condensat.

Lors de la localisation des terminaisons d'évent, il faut tenir compte des vents dominants, de l'emplacement et d'autres conditions. Ces conditions peuvent provoquer la recirculation des produits de combustion des événements adjacents. Ne placez pas le terminal sur le côté du bâtiment face aux vents d'hiver dominants.

### ▲ ATTENTION ▲

UNE INSTALLATION OU UN EMBLACEMENT INADÉQUATS PEUVENT OCCASIONNER DES DOMMAGES STRUCTURAUX À L'IMMEUBLE OU AU FINI EXTÉRIEUR, OU ENCORE PROVOQUER LA RECIRCULATION DES GAZ DE COMBUSTION DANS LA PRISE D'AIR COMBURANT OU LE GEL DE CES GAZ DANS OU SUR LA PRISE D'AIR COMBURANT.

L'HUMIDITÉ DES GAZ DE COMBUSTION SE CONDENSE DÈS QU'ILS SONT ÉVACUÉS. CETTE HUMIDITÉ PEUT GELER SUR LES MURS EXTÉRIEURS, LES SOFFITES ET AUTRES OBJETS À PROXIMITÉ. UNE CERTAINE DÉCOLORATION EST POSSIBLE.

La terminaison d'évacuation doit être située à au moins 3 pieds (0,9 m) d'un coin intérieur formé par deux murs extérieurs.

Le dégagement minimal recommandé des éléments en surplomb est de 1 pied (0,3 m) sur la verticale pour chaque pied sur l'horizontale, jusqu'à 6 pieds (1,8 m).

Toute surface peinte adjacente doit être en bonne condition (aucune craquelures, aucun écaillage, etc.) Dans l'éventualité où des surfaces en bois seraient exposées régulièrement à des gaz de combustion, prévoyez les traiter avec un scellant.

---

H15.5A

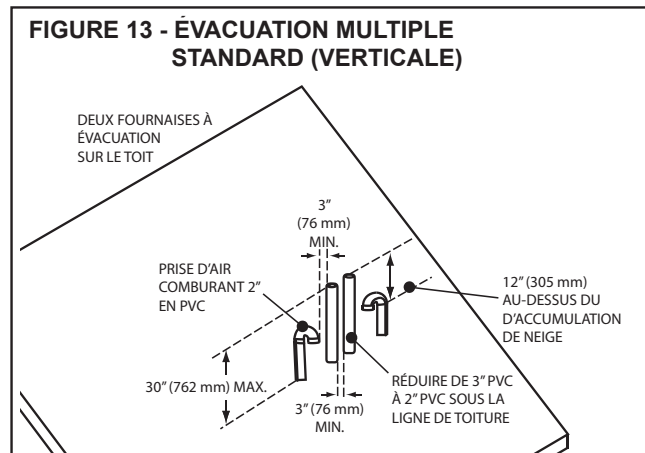
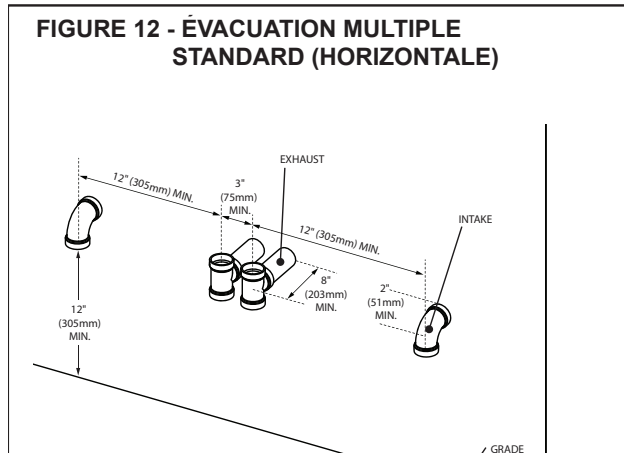
## 10.6 ÉVACUATION MULTIPLE

### **IMPORTANT :**

LORSQUE PLUSIEURS FOURNAISES SONT INSTALLÉES À PROXIMITÉ L'UNE DE L'AUTRE, CHACUNE DOIT AVOIR DES CONDUITS D'AIR COMBURANT ET D'ÉVACUATION DÉDIÉS.

### **L'UTILISATION D'ÉVENTS COMMUNS EST INTERDITE!**

Si vous installez deux de ces fournaises à proximité l'une de l'autre, la prise d'air comburant et les terminaisons d'évacuation peuvent être installées comme indiqué dans les Figures 12 et 13.



Lorsque plusieurs fournaises sont installées à proximité l'une de l'autre, chacun des ensembles de prise d'air comburant et de terminaison d'évacuation supplémentaires doit se trouver à au moins 12" (305 mm) l'un de l'autre.  
 Note : Au Canada, les installations d'appareil de 120 000 BTU/h requièrent une distance de 3 pieds (915 mm).

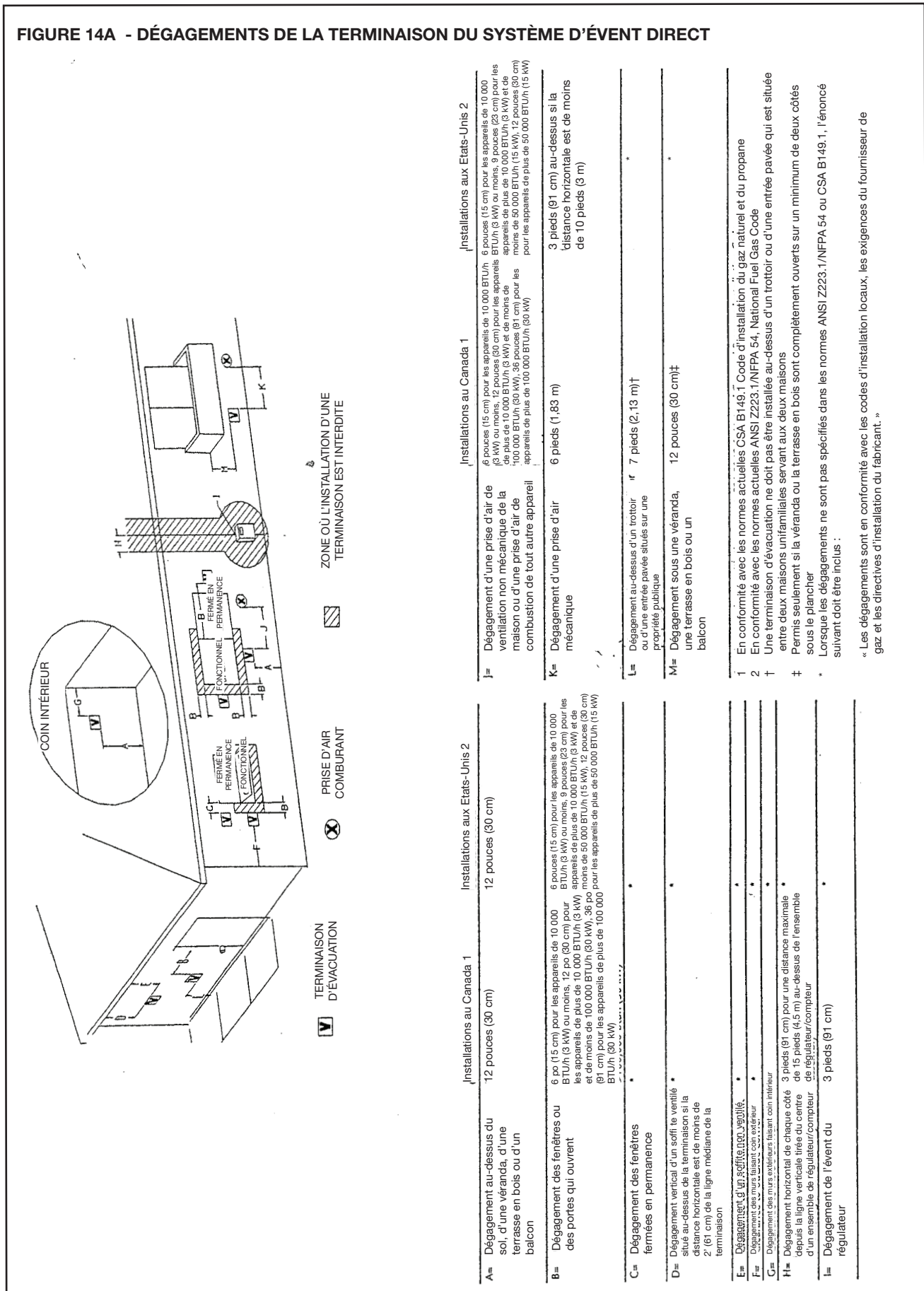
H15.6

## **⚠ AVERTISSEMENT ⚠**

**DURANT L'HIVER, SI L'INSTALLATION DU SYSTÈME D'ÉVACUATION NE RESPECTE PAS CES DIRECTIVES, LA RECIRCULATION POSSIBLE DES GAZ DE COMBUSTION POURRAIT PROVOQUER UN BLOCAGE DU CONDUIT D'AIR PAR LE GEL.**

H3.15

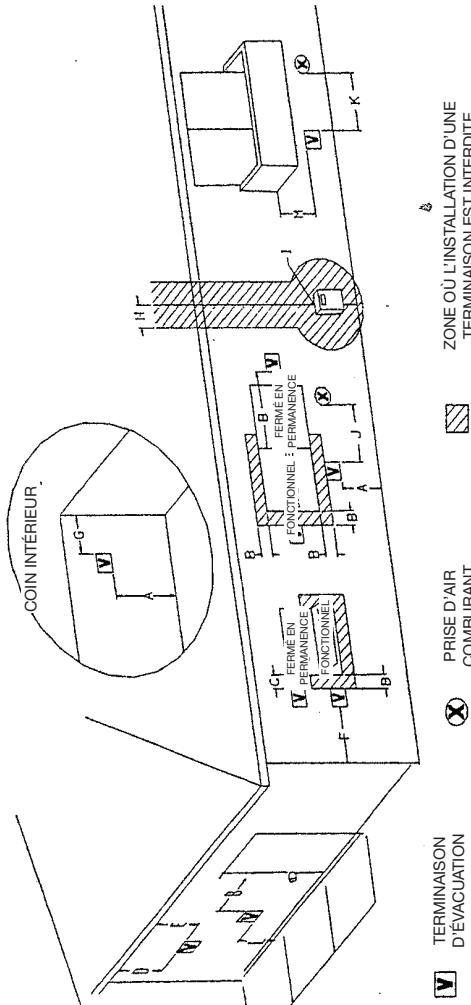
FIGURE 14A - DÉGAGEMENTS DE LA TERMINAISON DU SYSTÈME D'ÉVENT DIRECT



	Installations au Canada 1	Installations aux Etats-Unis 2	Installations aux Etats-Unis 2
<b>A=</b> Dégagement au-dessus du sol, d'une véranda, d'une terrasse en bois ou d'un balcon	12 pouces (30 cm)	12 pouces (30 cm)	
<b>B=</b> Dégagement des fenêtres ou des portes qui ouvrent	6 po (15 cm) pour les appareils de 10 000 BTU/h (3 kW) ou moins, 12 po (30 cm) pour les appareils de plus de 10 000 BTU/h (3 kW) et de moins de 50 000 BTU/h (15 kW), 12 po (30 cm) (91 cm) pour les appareils de plus de 100 000 BTU/h (30 kW), 36 po (91 cm) pour les appareils de plus de 50 000 BTU/h (15 kW) BTU/h (30 kW)	6 po (15 cm) pour les appareils de 10 000 BTU/h (3 kW) ou moins, 9 po (23 cm) pour les appareils de plus de 10 000 BTU/h (3 kW) et de moins de 50 000 BTU/h (15 kW), 12 po (30 cm) (91 cm) pour les appareils de plus de 100 000 BTU/h (30 kW)	
<b>C=</b> Dégagement des fenêtres fermées en permanence			
<b>D=</b> Dégagement vertical d'un soffite ventilé situé au-dessus de la terminaison si la distance horizontale est de moins de 2' (61 cm) de la ligne médiane de la terminaison			
<b>E=</b> Dégagement d'un soffite, d'un ventilé			
<b>F=</b> Dégagement des murs faisant coin extérieur			
<b>G=</b> Dégagement des murs extérieurs faisant coin intérieur			
<b>H=</b> Dégagement horizontal de chaque côté depuis la ligne verticale tirée du centre d'un ensemble de régulateur/compteur	3 pieds (91 cm) pour une distance maximale de 15 pieds (4,5 m) au-dessus de l'ensemble de régulateur/compteur	3 pieds (91 cm) pour une distance maximale de 15 pieds (4,5 m) au-dessus de l'ensemble de régulateur/compteur	
<b>I=</b> Dégagement de l'évent du régulateur	3 pieds (91 cm)	3 pieds (91 cm)	
<b>J=</b> Dégagement d'une prise d'air de ventilation non mécanique de la maison ou d'une prise d'air de combustion de tout autre appareil			6 pouces (15 cm) pour les appareils de 10 000 BTU/h (3 kW) ou moins, 12 pouces (30 cm) pour les appareils de plus de 10 000 BTU/h (3 kW) et de moins de 50 000 BTU/h (15 kW), 12 pouces (30 cm) pour les appareils de plus de 50 000 BTU/h (15 kW)
<b>K=</b> Dégagement d'une prise d'air mécanique	6 pieds (1,83 m)	6 pieds (1,83 m)	3 pieds (91 cm) au-dessus si la distance horizontale est de moins de 10 pieds (3 m)
<b>L=</b> Dégagement au-dessus d'un trottoir ou d'une entrée pavée situés sur une propriété publique			7 pieds (2,13 m)†
<b>M=</b> Dégagement sous une véranda, une terrasse en bois ou un balcon			12 pouces (30 cm)‡

1 En conformité avec les normes actuelles CSA B149.1 Code d'installation du gaz naturel et du propane  
 2 En conformité avec les normes actuelles ANSI Z223.1/NFPA 54, National Fuel Gas Code  
 † Une terminaison d'évacuation ne doit pas être installée au-dessus d'un trottoir ou d'une entrée pavée qui est située entre deux maisons unifamiliales servant aux deux maisons  
 ‡ Permis seulement si la véranda ou la terrasse en bois sont complètement ouverts sur un minimum de deux côtés sous le plancher  
 \* Lorsque les dégagements ne sont pas spécifiés dans les normes ANSI Z223.1/NFPA 54 ou CSA B149.1, l'énoncé suivant doit être inclus :  
 « Les dégagements sont en conformité avec les codes d'installation locaux, les exigences du fournisseur de gaz et les directives d'installation du fabricant. »

FIGURE 14B - DÉGAGEMENTS DE LA TERMINAISON DU SYSTÈME D'ÉVENT INDIRECT

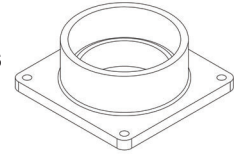


	Installations au Canada 1	Installations aux États-Unis 2	Installations au Canada 1	Installations aux États-Unis 2
<b>A=</b> Dégagement au-dessus du sol, d'une véranda, d'une terrasse en bois ou d'un balcon	12 pouces (30 cm)	12 pouces (30 cm)		
<b>B=</b> Dégagement des fenêtres ou des portes qui ouvrent	6 pouces (15 cm) pour les appareils de 10 000 BTU/h (3 kW) ou moins; 12 pouces (30 cm) pour les appareils de plus de 10 000 BTU/h (3 kW) et de moins de 100 000 BTU/h (30 kW); 36 pouces (91 cm) pour les appareils de plus de 100 000 BTU/h (30 kW)	3 pieds (91 cm) pour une distance maximale de 15 pieds (4,5 m) au-dessus de l'ensemble de régulateur/compteur de gaz; 36 pouces (91 cm) pour les appareils de plus de 100 000 BTU/h (30 kW)		
<b>C=</b> Dégagement des fenêtres fermées en permanence				
<b>D=</b> Dégagement vertical d'un soffit ventilé situé au-dessus de la terminaison si la distance horizontale est de moins de 2' (61 cm) de la ligne médiane de la terminaison				
<b>E=</b> Dégagement d'un soffit non ventilé				
<b>F=</b> Dégagement des murs faisant coin extérieur				
<b>G=</b> Dégagement des murs extérieurs faisant coin intérieur				
<b>H=</b> Dégagement horizontal de chaque côté depuis la ligne verticale tirée au centre d'un ensemble de régulateur/compteur de gaz	3 pieds (91 cm) pour une distance maximale de 15 pieds (4,5 m) au-dessus de l'ensemble de régulateur/compteur de gaz	3 pieds (91 cm) pour les appareils de 104 pieds (1,2 m) sous ou sur le sol; 12 pouces (30 cm) pour les appareils de plus de 10 000 BTU/h (3 kW) et de moins de 100 000 BTU/h (30 kW); 36 pouces (91 cm) pour les appareils de plus de 100 000 BTU/h (30 kW)		
<b>I=</b> Dégagement de l'évent du régulateur	3 pieds (91 cm)	3 pieds (91 cm)		
<b>J=</b> Dégagement d'une prise d'air de ventilation non mécanique de la maison ou d'une prise d'air de combustion de tout autre appareil	6 pouces (15 cm) pour les appareils de 10 000 BTU/h (3 kW) ou moins; 12 pouces (30 cm) pour les appareils de plus de 10 000 BTU/h (3 kW) et de moins de 100 000 BTU/h (30 kW); 36 pouces (91 cm) pour les appareils de plus de 100 000 BTU/h (30 kW)	4 pieds (1,2 m) sous ou sur le côté de l'ouverture; 1 pied (300 mm) au-dessus de l'ouverture		
<b>K=</b> Dégagement d'une prise d'air mécanique	6 pouces (1,83 m)	3 pieds (91 cm) au-dessus si la distance horizontale est de moins de 10 pieds (3 m)		
<b>L=</b> Dégagement au-dessus d'un trottoir ou d'une entrée pavée situés sur une propriété publique			7 pieds (2,13 m)	
<b>M=</b> Dégagement sous une véranda, une terrasse en bois ou un balcon			12 pouces (30 cm)†	

1 En conformité avec les normes actuelles CSA B149.1 Code d'installation du gaz naturel et du propane  
 2 En conformité avec les normes actuelles ANSI Z223.1/NFPA 54, National Fuel Gas Code  
 † Une terminaison d'évacuation ne doit pas être installée au-dessus d'un trottoir ou d'une entrée pavée qui est située entre deux maisons unifamiliales servant aux deux maisons  
 ‡ Permis seulement si la véranda ou la terrasse en bois sont complètement ouverts sur un minimum de deux côtés sous le plancher  
 \* Lorsque les dégagements ne sont pas spécifiés dans les normes ANSI Z223.1/NFPA 54 ou CSA B149.1, l'énoncé suivant doit être inclus :  
 « Les dégagements sont en conformité avec les codes d'installation locaux, les exigences du fournisseur de gaz et les directives d'installation du fabricant. »

## 11.0 OPTIONS D'AGENCEMENT

Cette fournaise peut être configurée avec une circulation ascendante seulement. Les pages suivantes illustrent les quatre positions d'installation acceptables avec la correcte orientation du ventilateur d'évacuation, le tuyau d'écoulement, et les locations de l'interrupteur de pression. L'installateur doit aussi tenir compte des éléments suivants : conduites de gaz, alimentation électrique, purgeur de condensat, conduits d'alimentation en air et d'évacuation. Il faut aussi tenir compte des raccords et du tuyau de drainage de la climatisation, de l'accès aux filtres, ainsi qu'à la fournaise et au climatiseur aux fins de réparations. Lorsque la fournaise est installée dans un endroit soumis à des températures inférieures au point de congélation, les tuyaux de drainage et le purgeur de la fournaise doivent être protégés contre le gel.



Le raccord de la prise d'air comburant consiste en une douille de 2" en PVC fixée à un adaptateur fileté. Déterminez l'emplacement de la prise d'air et enlevez le capuchon de plastique approprié. Installez l'adaptateur sur le panneau extérieur, en utilisant le joint d'étanchéité (ce dernier étant placé à l'extérieur du panneau et l'écrou de blocage à l'intérieur). **La garantie sera annulée si vous omettez d'installer le joint d'étanchéité sur l'extérieur du cabinet.**

H16.0.3A

### 11.1 TUYAUX D'ÉCOULEMENT

La fournaise peut condenser jusqu'à 4-1/2 livres d'eau par heure (approximativement 2 pintes impériales, 2-1/2 pintes US ou 2-1/4 litres). Vous devez prendre les mesures nécessaires pour drainer le condensat. Un ensemble de purgeur de condensat est fourni avec la fournaise. Consultez les figures 16 pour les emplacements possibles du purgeur de condensat.

Fixez le purgeur de condensat à l'intérieur du panneau latéral du compartiment de la soufflerie pour les positions ascendantes et à l'intérieur du panneau latéral du compartiment du brûleur pour les positions descendantes. Pour les positions horizontales, fixez le purgeur de condensat aux panneaux latéraux extérieurs.

Trois brides pour tuyau de drainage en plastique sont fournies dans le sac de pièces. La grosse sert à fixer le tuyau de drainage sur la sortie de purge du collecteur avant et à fixer le tuyau de drainage au raccord cannelé de 5/8" du purgeur de condensat. La petite sert à fixer le tuyau de drainage au collet du purgeur et le raccord cannelé de 1/2" du purgeur de condensat.

Pour un meilleur fonctionnement, le tuyau de drainage doit être raccordé au ventilateur d'évacuation de façon à ce que les trous du tuyau soient inclinés de 15° vers le bas. Le tuyau de drainage fourni avec la fournaise est suffisamment long pour atteindre les deux panneaux latéraux; toutefois, il doit être taillé pour chaque application. Ceci sert à éviter les pliures dans les tuyaux de drainage.

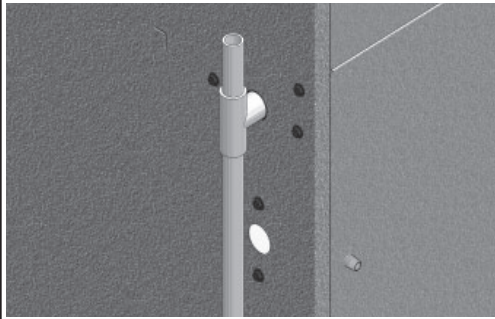
**NOTE :** Nous vous conseillons d'utiliser des pinces pour bien serrer les brides du tuyau en plastique.

H16.2.4A

## 11.2 PRÉPARATIONS POUR L'OPTION D'ÉVACUATION ET DE DRAINAGE

1. Déterminez les options d'évacuation et de drainage qui conviennent le mieux pour l'installation. Consultez la Figure 16 et référez-vous à la section « Orientation du ventilateur d'évacuation » si nécessaire.
2. Enlevez le capuchon du conduit d'évacuation en plastique de 3 1/2" (si nécessaire) et couvrez le trou d'évacuation qui n'est pas utilisé. Installez l'anneau en caoutchouc (dans le sac de pièces) pour le conduit d'évacuation de 2". Branchez le conduit d'évacuation (fourni sur place). Si vous utilisez un évent de 1 1/2" ou de 3", faites la transition le plus près possible de l'appareil et sur une section verticale.
3. Enlevez le capuchon de prise d'air en plastique. **À l'aide de l'écrou de blocage de 2" (dans le sac de pièces), branchez le raccord de prise d'air en PVC de 2" avec le joint d'étanchéité à l'extérieur de l'appareil. Si vous utilisez un conduit de prise d'air de 1 1/2" ou de 3", faites la transition le plus près possible de l'appareil et sur une section verticale.**
4. Raccordez le conduit de prise d'air de 2" (fourni sur place). **Le conduit d'évacuation doit être supporté adéquatement avant d'être raccordé au ventilateur d'évacuation et, en aucun cas, ce dernier ne doit supporter le poids du système d'évacuation.**
5. Installez les joints d'étanchéité appropriés sur le purgeur de condensat et enlevez les deux capuchons de plastique attachés à la division de la soufflerie, et celui attaché au panneau latéral, s'il y a lieu.
6. Fixez le purgeur de condensat à l'intérieur du panneau latéral du compartiment de la soufflerie à l'aide des deux vis fournies (dans le sac de pièces).
7. Assurez-vous que le compartiment de combustion est entièrement scellé.

FIGURE 15

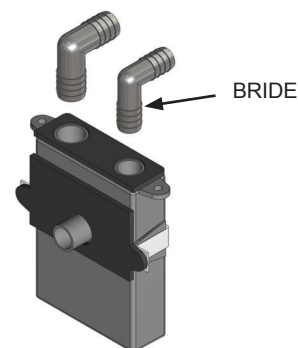


**IMPORTANT:**

**BRANCHEZ LE RACCORD EN T DE 1/2" (FOURNI SUR PLACE) À LA SORTIE DU PURGEUR DE CONDENSAT.**

**NOTE**

- Tous les tuyaux d'écoulement doivent être coupés à la longueur appropriée et pencher vers le purgeur de condensat, pour éviter que les tuyaux d'écoulement n'emprisonnent le condensat avant qu'il arrive au purgeur de condensat.
- Avant la mise en marche initiale de la fournaise, le purgeur de condensat doit être amorcé avec de l'eau.
- Les raccords cannelés doivent être complètement insérés dans le purgeur de vapeur d'eau et appuyés sur la bride.
- Les raccords cannelés doivent être complètement insérés dans le purgeur de condensat et appuyés sur la bride.



H16.3.3A

### 11.3 ORIENTATION DU VENTILATEUR D'ÉVACUATION ET INSTALLATION DE L'INTERRUPTEUR DE PRESSION

1. Desserrer le collier et tirer le tuyau d'échappement pour un dégagement suffisant.
2. Débranchez les fils du ventilateur d'évacuation.
3. Retirez les 4 vis du ventilateur d'évacuation.
4. Enlevez l'assemblage de l'interrupteur de pression (interrupteurs) et le boyau de détection de pression du couvercle du collecteur avant.
5. Enlevez le ventilateur d'évacuation.
6. Inversez les bandes du raccord du tuyau de drainage pour que les vis soient accessibles, si nécessaire. (N'inversez pas le raccord du tuyau de drainage.) Assurez-vous que la flèche, sur le raccord du tuyau de drainage, pointe en direction opposée du ventilateur d'évacuation.
7. Enlevez le capuchon de plastique approprié sur le panneau latéral, et installez-le sur l'ouverture d'évacuation non utilisée.
8. Réinstallez et orientez correctement le ventilateur d'évacuation et l'assemblage de l'interrupteur de pression, en utilisant les 4 vis du ventilateur d'évacuation enlevées à l'étape 2. **N'UTILISEZ PAS D'OUTIL ÉLECTRIQUE.** Réinstallez les interrupteurs de pression de façon à ce qu'ils se trouvent au-dessus du collecteur avant. Ainsi, vous éviterez que le condensat soit évacué dans le boyau de détection de l'interrupteur de pression, ce qui entraînerait un fonctionnement irrégulier de la fournaise. Voir la Figure 16 pour référence.
9. Pivotez le raccord du tuyau de drainage de façon à ce que les trous soient inclinés de 15° vers le bas, puis serrez la bande du raccord sur le ventilateur d'évacuation.
10. Terminez l'installation de l'évacuation comme exigé, en montant le tuyau d'échappement et en le fixant fermement au collet.

Le conduit d'évacuation et la prise d'air doivent toujours être fixés aux solives de plancher ou aux chevrons, ou supportés par ceux-ci, afin d'éviter les affaissements et la déformation possible des matériaux d'évacuation. De même, le drainage des produits de combustion sera adéquat, ce qui empêchera les déversements dans l'immeuble.

Le compartiment de la soufflerie devrait être complètement isolé du compartiment du brûleur et, en cas d'installation dans un espace restreint avec d'autres appareils à combustion, il devra être complètement isolé de la pièce. Assurez-vous que le joint d'étanchéité de la porte de combustion est en bon état.

**IMPORTANT :**

**GARDEZ LES BOYAUX DE L'INTERRUPTEUR DE PRESSION AU-DESSUS DU TUYAU DE DRAINAGE DE L'ÉCHANGEUR DE CHALEUR, ET COUPEZ-LES À LA LONGUEUR APPROPRIÉE POUR EMPÊCHER LES FLÉCHISSEMENTS OU LES PLIS.**

H16.1.5

**NOTE**  
N'UTILISEZ  
PAS D'OUTIL  
ÉLECTRIQUE.

TABLEAU 5 - ORIENTATION DU VENTILATEUR

Orientation		Tourner le ventilateur (O/N)	Voir figure 16 pour montage recommandé
Fournaise	Conduit		
Ascendante	Gauche	O	
Ascendante	Verticale	N	
Ascendante	Droite	O	

## ! AVERTISSEMENT !

AUCUN OUVERTURE NE DOIT ÊTRE PRÉSENTE ENTRE LE PANNEAU DE DIVISION DE LA SOUFFLERIE ET LE COMPARTIMENT DE COMBUSTION. LE COMPARTIMENT DE LA SOUFFLERIE EST SOUMIS À UNE PLUS GRANDE ASPIRATION QUE LE COMPARTIMENT DE COMBUSTION. CE FAISANT, IL POURRAIT ASPIRER DE L'AIR COMBURANT DESTINÉ AUX BRÛLEURS, CE QUI PROVOQUERAIT UNE COMBUSTION INCOMPLÈTE ET UN FONCTIONNEMENT IRRÉGULIER DE LA FOURNAISE.

H3.16

FIGURE 16 - OPTION D'ÉVACUATION ASCENDANTE ET DE DRAINAGE

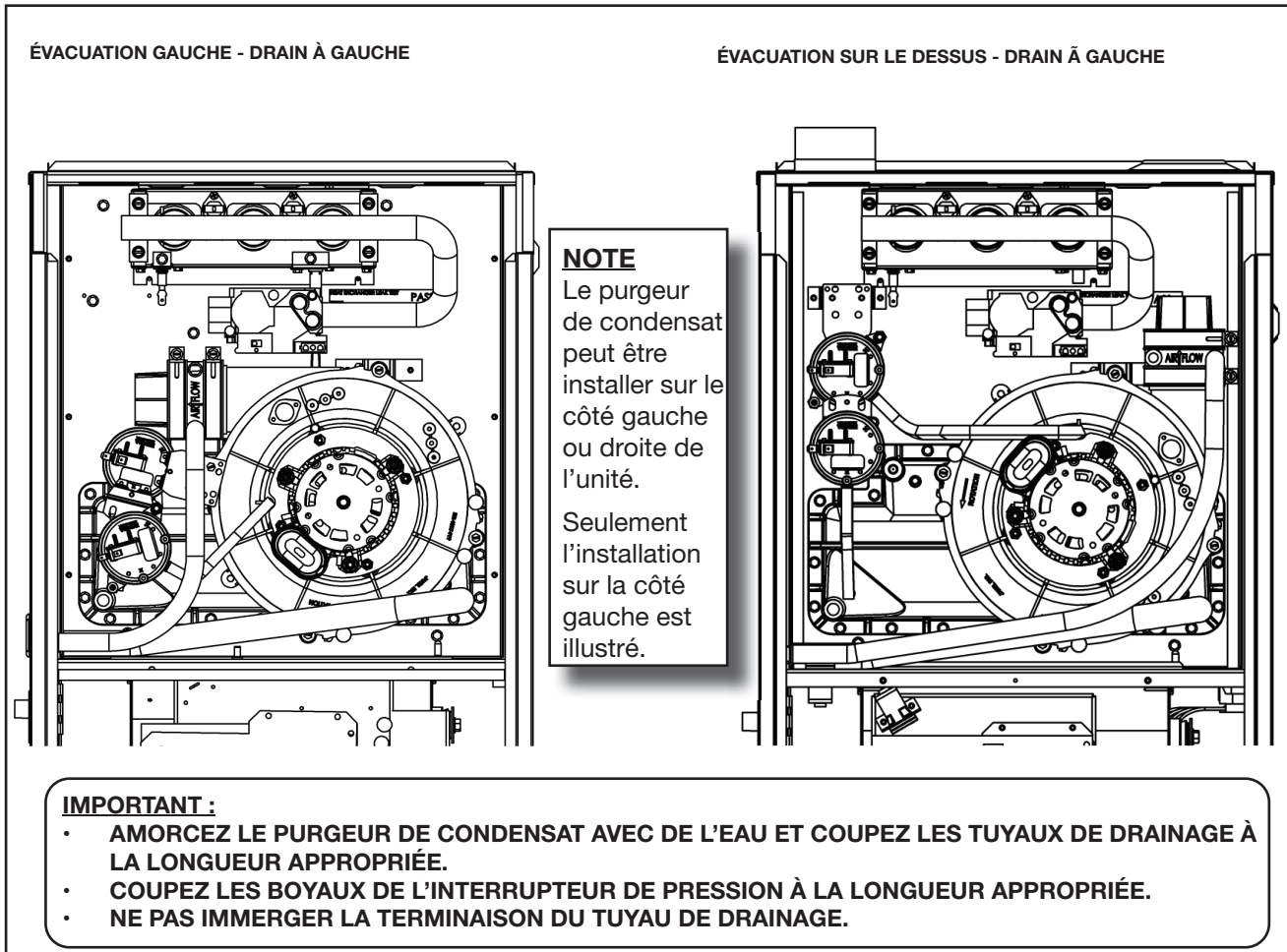
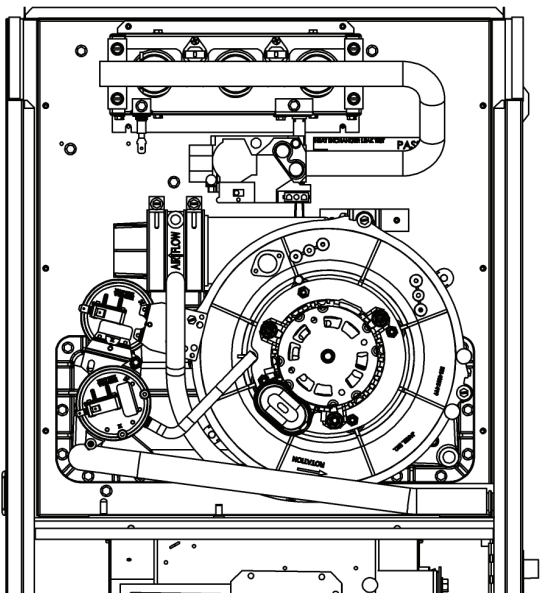
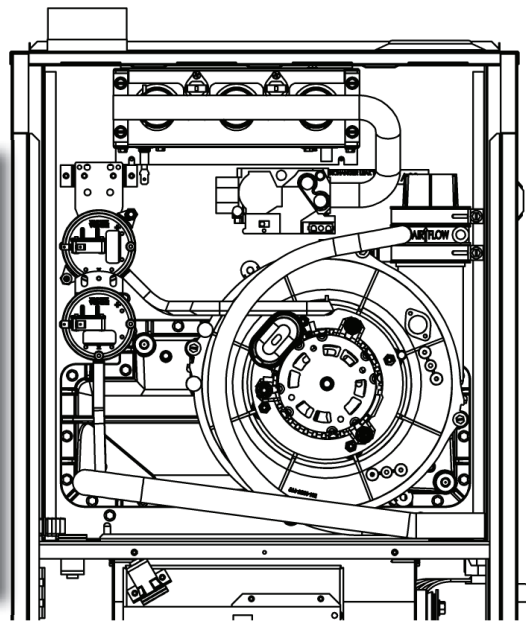


FIGURE 16 - OPTION D'ÉVACUATION ASCENDANTE ET DE DRAINAGE CONTINU

ÉVACUATION GAUCHE - DRAIN À DROITE



ÉVACUATION SUR LE DESSUS - DRAIN À DROITE

**NOTE**

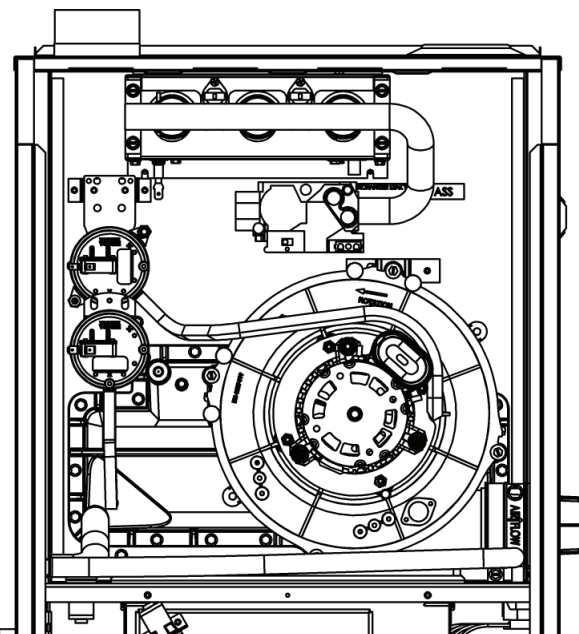
Le purgeur de condensat peut être installé sur le côté gauche ou droite de l'unité.

Seulement l'installation sur la côté gauche est illustré.

**IMPORTANT :**

- AMORCEZ LE PURGEUR DE CONDENSAT AVEC DE L'EAU ET COUPEZ LES TUYAUX DE DRAINAGE À LA LONGUEUR APPROPRIÉE.
- COUPEZ LES BOYAUX DE L'INTERRUPTEUR DE PRESSION À LA LONGUEUR APPROPRIÉE.
- NE PAS IMMERGER LA TERMINAISON DU TUYAU DE DRAINAGE.

ÉVACUATION DROITE - DRAIN À GAUCHE

**IMPORTANT :**

- AMORCEZ LE PURGEUR DE CONDENSAT AVEC DE L'EAU ET COUPEZ LES TUYAUX DE DRAINAGE À LA LONGUEUR APPROPRIÉE.
- COUPEZ LES BOYAUX DE L'INTERRUPTEUR DE PRESSION À LA LONGUEUR APPROPRIÉE.
- NE PAS IMMERGER LA TERMINAISON DU TUYAU DE DRAINAGE.

**NOTE**

Évacuation ascendante droite : le purgeur de condensat doit être installé du côté gauche.

## ▲ ATTENTION ▲

LE PURGEUR DE CONDENSAT EST MUNI DE DEUX OUVERTURES: UNE POUR LE CONDUIT D'ÉVACUATION ET L'AUTRE POUR LA RÉCUPÉRATION DU CONDENSAT. L'OUVERTURE DU CONDUIT D'ÉVACUATION EST PLUS PETITE QUE CELLE DU CONDENSAT. ASSUREZ-VOUS QUE LES TUYAUX DE DRAINAGE SONT COUPÉS À LA LONGUEUR APPROPRIÉE ET QU'ILS SONT RACCORDÉS ET FIXÉS CORRECTEMENT.

### 11.4 INSTALLATION DU TUYAU DE DRAINAGE

1. Branchez une extrémité du tuyau de 5/8" (dans le sac de pièces) à la sortie de purge la plus directe sur le couvercle du collecteur avant, et l'autre extrémité au plus gros coude sur le purgeur de condensat. Si nécessaire, coupez l'excès de tuyau. Fixez le tuyau avec les brides en plastique (dans le sac de pièces).
2. À l'aide du raccord de réduction, branchez une extrémité du tuyau de 1/2" (dans le sac de pièces) à la sortie de purge inférieure sur le couvercle du collecteur avant, et l'autre extrémité au plus petit coude sur le purgeur de condensat. Si nécessaire, coupez l'excès de tuyau.

#### **NOTE**

Tous les tuyaux d'écoulement doivent pencher vers le purgeur de condensat pour éviter que les tuyaux d'écoulement forment un siphon avant le purgeur de condensat.

H16.4

#### 11.4.1 CONDUITE D'ÉCOULEMENT

Le condensat provenant de la sortie de l'ensemble de purgeur de condensat doit être amené dans un siphon de plancher, un puisard ou, si ceux-ci ne sont pas disponibles, à une pompe à condensats. Si vous utilisez une pompe à condensats, assurez-vous qu'elle est approuvée pour les fournaies à condensation.

## ▲ ATTENTION ▲

NE DRAINEZ PAS LE CONDENSAT À L'EXTÉRIEUR. NE FAITES PAS PASSER UNE CONDUITE DE CONDENSAT DANS DES ENDROITS EXPOSÉS AU GEL. LE GEL DU CONDENSAT PEUT CAUSER UN FONCTIONNEMENT IRRÉGULIER DE LA FOURNAISE ET DES DOMMAGES À LA PROPRIÉTÉ.

Dans une configuration typique, la branche latérale d'un raccord en T en PVC-C de 1/2" serait branché à la sortie du purgeur de condensat et les branches d'extrémité seraient orientées verticalement (voir les prochaines figures).

Un tuyau de 1/2" en PVC-C, d'une longueur de 1" (25 mm), branché à la branche d'extrémité supérieure servira d'évent, ce qui évitera la formation d'un bouchon de vapeur et servira de trop-plein si le tuyau de drainage bloque. Un bout de tuyau de dimensions semblables branché à la branche d'extrémité inférieure permettra de raccorder la sortie du condensat à un tuyau flexible de 5/8"ID / 7/8"OD. Le conduit de drainage du condensat peut aussi être entièrement fait de PVC-C et raccordé à un siphon de plancher/pompe de puisard/pompe à condensats.

#### **NOTE**

**Au cas où il serait nécessaire d'enlever le purgeur de condensat, nous vous recommandons de ne pas coller le tuyau de drainage du condensat sur la sortie du purgeur de condensat. Utilisez plutôt un bout de tuyau de drainage 1/2" fourni.**

#### **IMPORTANT :**

SI LE MÊME CONDUIT DE DRAINAGE SERT À LA FOIS À L'ÉVACUATION DU SERPENTIN D'ÉVAPORATEUR DE CLIMATISATION ET DE LA FOURNAISE, CE CONDUIT DEVRAIT ÊTRE RACCORDÉ EN AVAL DU PURGEUR, À L'AIDE D'UN RACCORD EN T. NE RACCORDEZ PAS LE CONDUIT DE DRAINAGE DU SERPENTIN D'ÉVAPORATEUR EN AMONT DU PURGEUR DE CONDENSAT DE LA FOURNAISE.

U46 4 10

## 11.4.2 AMORÇAGE DU PURGEUR DE VAPEUR D'EAU

### **IMPORTANT :**

L'ENSEMBLE DE PURGEUR DE CONDENSAT DEVRAIT ÊTRE REMPLI D'EAU (AMORCÉ) AVANT DE FAIRE FONCTIONNER LA FOURNAISE. POUR EN FAIRE LE REMPLISSAGE, ENLEVEZ TEMPORAIREMENT LE TUYAU D'ÉCOULEMENT DU RACCORD COUDE/TUYAU DE L'ASSEMBLAGE DU VENTILATEUR D'ÉVACUATION, ET VIDEZ ENVIRON UNE TASSE D'EAU DANS LE TUYAU. L'EAU S'ÉCOULERA DU PURGEUR DE CONDENSAT LORSQU'IL SERA PLEIN. RÉINSTALLEZ LE TUYAU D'ÉCOULEMENT AU RACCORD COUDE/TUYAU DE L'ASSEMBLAGE DU VENTILATEUR D'ÉVACUATION.

UN ÉVENT EST REQUIS DANS LA CONFIGURATION DE DRAINAGE DES CONDENSATS. UNE ÉLÉVATION INFÉRIEURE À UN POUCE, N'IMPORTE OÙ LE LONG DU CONDUIT HORIZONTAL DU TUYAU DE DRAINAGE, PEUT CRÉER UN BOUCHON DE VAPEUR. CELUI-CI EMPÊCHERA LE CONDENSAT DE S'ÉCOULER LIBREMENT ET CAUSERA UN FONCTIONNEMENT IRRÉGULIER DE LA FOURNAISE.

H16.4.2

### **NOTE**

La fournaise, le purgeur de condensat et le tuyau de drainage du condensat doivent être acheminés dans un espace chauffé afin d'éviter le gel des condensats et le blocage du tuyau de drainage. Vous DEVEZ prendre des précautions spéciales si vous installez une fournaise à condensation dans un endroit susceptible de chuter en dessous de 32 °F (0 °C). Cela pourrait causer un mauvais fonctionnement ou endommager les équipements. Si l'endroit où se trouve la fournaise est susceptible de geler, le purgeur et le tuyau de drainage doivent être protégés. Dans les endroits où la température peut être inférieure à 32 °F (0 °C), un ruban chauffant autorégulateur 40 °F (4 °C), gainé et imperméable, d'une capacité de 3 à 6 watts par pied (10 à 20 watts par mètre) à 115 volts, peut être utilisé pour protéger le tuyau de drainage restant contre le gel. De l'antigel pour VR peut être utilisé pour protéger le purgeur si l'appareil doit être arrêté pendant de longues périodes de temps froid. Enroulez le purgeur et le tuyau de drainage avec du ruban chauffant et fixez-le à l'aide d'attaches en plastique appropriées. Suivez les recommandations du fabricant du ruban chauffant. Amorcez le purgeur avant de faire fonctionner la fournaise. L'utilisation d'accessoires de chauffage pour purgeur, de ruban chauffant électrique ou d'antigel pour VR est recommandée pour ces installations.

Déterminez l'emplacement de la fournaise de manière à ce que le condensat puisse s'écouler vers le drain. Ne placez pas la fournaise ni son système de drainage des condensats dans un endroit sujet à des températures inférieures au point de congélation sans disposer d'une protection adéquate contre le gel.

Si le tuyau de drainage est acheminé dans une zone susceptible de s'approcher ou de descendre sous le point de congélation, vous devez prendre des mesures pour empêcher que le condensat puisse geler dans le tuyau de drainage.

## 11.5 INSTALLATION ALTERNATIVE DU SYSTÈME DE DRAINAGE DU CONDENSAT, EN UTILISANT DES CONDUITS EN PVC OU PVC-C

1. Le sac de pièces fourni comprend une longueur de tuyau de caoutchouc de 1/2" et de 5/8" et le purgeur de condensat. Installez le purgeur de condensat conformément aux directives de la section Préparations pour l'option d'évacuation et de drainage.

FIGURE 17

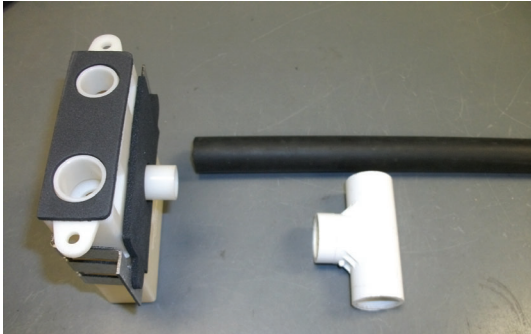
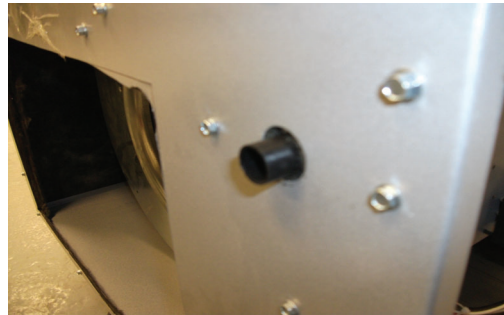


FIGURE 18

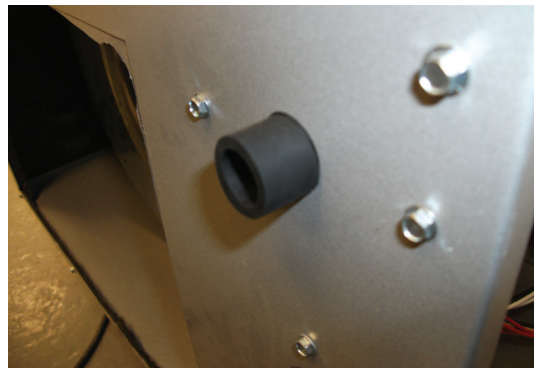


2. Si vous faites l'installation avec du PVC, utilisez le tuyau de 1/2". Si vous faites l'installation avec du PVC-C, utilisez le tuyau de 5/8". Glissez le tuyau approprié sur la sortie du purgeur de condensat et coupez-le à égalité avec l'extrémité de la sortie. Le tuyau de caoutchouc restant devrait être à égalité avec la sortie du purgeur de condensat. La longueur du tuyau restant devrait convenir à toutes les orientations de la fournaise

FIGURE 19



FIGURE 20



3. Un raccord ou un adaptateur de 1/2" s'ajustera parfaitement sur le tuyau de caoutchouc de 1/2". Un raccord ou un adaptateur de 3/4" s'ajustera parfaitement sur le tuyau de 5/8". Cette méthode assure l'étanchéité de l'ensemble tout en permettant d'enlever facilement le purgeur de condensat aux fins d'entretien.

FIGURE 21



4. Pour une sécurité additionnelle, si désiré, il est recommandé de fixer une bande métallique autour du purgeur. Utilisez les vis du purgeur de condensat pour fixer la bande métallique.

H16.5.2

## 11.6 NEUTRALISATION DES CONDENSATS

Certains codes locaux peuvent exiger l'utilisation d'un neutralisant de condensat. L'utilisation d'un tel neutralisant est recommandé lorsque les condensats de la fournaise sont évacués dans une fosse septique.

En cas d'utilisation de neutralisant, il est recommandé d'installer un conduit de dérivation du trop-plein.

H16.6

## 12.0 ALIMENTATION EN GAZ ET CONDUITES DE GAZ

### 12.1 ALIMENTATION EN GAZ

#### ⚠ AVERTISSEMENT ⚠

CETTE FOURNAISE A ÉTÉ FABRIQUÉE POUR BRÛLER DU GAZ NATUREL UNIQUEMENT.

UN ENSEMBLE DE CONVERSION GAZ NATUREL À PROPANE EST REQUIS POUR LA CONVERSION AU GAZ PROPANE.

OMETTRE D'UTILISER L'ENSEMBLE DE CONVERSION APPROPRIÉ PEUT CAUSER UN INCENDIE, UNE EXPLOSION, UN EMPOISONNEMENT AU MONOXYDE DE CARBONE, DES DOMMAGES MATÉRIELS, DES BLESSURES CORPORELLES OU DES PERTES DE VIE.

H3.18

#### **IMPORTANT :**

- UN ÉQUIPEMENT SPÉCIALISÉ EST REQUIS POUR CONVERTIR CETTE FOURNAISE. LA CONVERSION DOIT ÊTRE EFFECTUÉE PAR UN INSTALLATEUR QUALIFIÉ, UNE AGENCE DE SERVICE OU UN FOURNISSEUR DE GAZ.
- CETTE FOURNAISE DOIT UNIQUEMENT ÊTRE RACCORDÉE AU SYSTÈME D'ALIMENTATION EN GAZ D'UN SERVICE PUBLIC OU COMMERCIAL. HABITUELLEMENT, LE GAZ PROVENANT DE PUIITS PRIVÉS NE PROCURE PAS UNE VALEUR ET UNE DENSITÉ DE CHAUFFAGE CONSTANTES, UNIFORMES ET PRÉVISIBLES. PLUSIEURS PUIITS NON COMMERCIAUX CONTIENNENT DES IMPURETÉS, COMME DU SOUFFRE, QUI PEUVENT ENDOMMAGER LA FOURNAISE. CETTE FOURNAISE NE FONCTIONNERA PAS DE FAÇON ADÉQUATE ET SÉCURITAIRE SI LE GAZ QUI L'ALIMENTE NE RESPECTE PAS LES NORMES COMMERCIALES ÉTABLIES.

H17.1

### 12.2 CONDUITES DE GAZ

Au Canada, l'installation des conduites de gaz doit se conformer aux normes CAN/CSA-B149.1 et 2, et aux codes locaux.

Aux États-Unis, l'installation des conduites de gaz doit se conformer aux normes (NFGC) NFPA 54/ANSI Z223.1 et aux codes locaux.

Si les codes locaux permettent l'utilisation d'un raccord flexible pour appareil au gaz, utilisez toujours un raccord homologué récemment. N'utilisez pas un raccord qui a déjà desservi un autre appareil au gaz.

#### **IMPORTANT :**

Pour maintenir l'étanchéité dans l'espace entourant le brûleur, la conduite de gaz qui traverse le panneau latéral de la fournaise doit être un tuyau en fer noir 1/2" de série 40. Le tuyau traverse un anneau en caoutchouc spécialement fabriqué pour garantir l'étanchéité autour du tuyau de gaz. (FIGURE 27)

Les conduites de gaz peuvent entrer de l'un ou l'autre côté de la fournaise. Une fois l'acheminement de la conduite de gaz déterminé, enlevez le capuchon de plastique approprié, si nécessaire, et installez-le sur l'autre panneau. Installez l'anneau en caoutchouc dans le trou.

**FIGURE 27 - RACCORDEMENTS DE LA CONDUITE DE GAZ DE LA FOURNAISE (NOTEZ L'ANNEAU EN CAOUTCHOUC)**

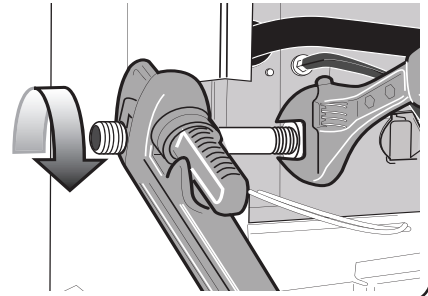


#### **NOTE**

Pour faciliter l'enlèvement du brûleur aux fins de l'entretien, nous vous recommandons d'installer un raccord entre la soupape de gaz et le panneau latéral.

**IMPORTANT :**  
**ASSUREZ-VOUS QUE LA SOUPAPE DE GAZ N'EST PAS EXPOSÉE À DES PRESSIONS ÉLEVÉES.**

**IMPORTANT :**  
**UTILISEZ TOUJOURS UNE CLÉ POUR ÉVITER DE TORDRE LA SOUPAPE DE GAZ. TOUTE TENSION SUR LA SOUPAPE DE GAZ PEUT NUIRE AU POSITIONNEMENT DES INJECTEURS PAR RAPPORT AUX BRÛLEURS. CECI POURRAIT ENTRAÎNER UN MAUVAIS FONCTIONNEMENT DU BRÛLEUR.**



Installez une soupape d'arrêt manuelle du gaz et un collecteur d'impuretés le plus près possible de la fournaise. Certains codes locaux exigent que la soupape d'arrêt manuelle du gaz soit installée entre 4 et 5 pieds (1,2 m et 1,5 m) au-dessus du sol pour en restreindre l'accès aux enfants. Assurez-vous que la soupape est facilement accessible.

H17.2B

## AVERTISSEMENT ⚠

**DÉBRANCHEZ LA SOUPAPE D'ARRÊT MANUELLE ET LA SOUPAPE DE GAZ PENDANT LES ESSAIS DE PRESSION SUPÉRIEURS À ½ LB/PO<sup>2</sup> (3,5 KPA).**

H3.19

### 12.3 PRESSION D'ALIMENTATION EN GAZ

La pression d'alimentation du gaz naturel devrait se situer entre 5 et 7" CE (7" CE recommandée).

La pression d'alimentation du propane devrait se situer entre 11 et 13" CE (12" CE recommandée). Ces pressions doivent être maintenues lorsque tous les autres appareils à gaz fonctionnent au maximum.

**IMPORTANT :**

**NE PAS EXCÉDER UNE PRESSION D'ALIMENTATION DE 13" CE AVEC L'UN OU L'AUTRE COMBUSTIBLE.**

La soupape de gaz est munie d'un régulateur interne pour contrôler la pression du collecteur du brûleur. La pression du collecteur du brûleur est indiquée sur la plaque d'homologation de la fournaise.

H17.3.1

### 12.4 ESSAIS D'ÉTANCHÉITÉ

Des essais de pression doivent être effectués sur toutes les nouvelles installations de conduites de gaz selon les normes CAN/CSA-B149.1 et 2, NFPA 54 ANSI Z223.1 ou ANSI/NFPA 58, « *Norme pour l'entreposage et la manipulation des gaz de pétrole liquéfiés.* »

Les conduites de gaz qui n'ont pas fait l'objet d'essais de pression, allant de la soupape d'arrêt manuelle à la soupape de gaz de la fournaise, par exemple, doivent faire l'objet d'essais d'étanchéité en utilisant un détecteur de gaz électronique, une solution commerciale de détection des fuites ou une autre méthode approuvée localement.

H17.4

### 12.5 PURGE DES CONDUITES DE GAZ

## ⚠ AVERTISSEMENT ⚠

**N'UTILISEZ JAMAIS UNE ALLUMETTE, UNE CHANDELLE, UN BRIQUET, UNE FLAMME OU UNE AUTRE SOURCE D'IGNITION POUR VÉRIFIER L'ÉTANCHÉITÉ D'UNE CONDUITE DE GAZ**

**SI CES INSTRUCTIONS NE SONT PAS SUIVIES À LA LETTRE, UN INCENDIE OU UNE EXPLOSION POURRAIENT S'ENSUIVRE, CAUSANT DES DOMMAGES MATÉRIELS, DES BLESSURES CORPORELLES OU DES PERTES DE VIE.**

H3.20

## 13.0 CONVERSIONS

### 13.1 CONVERSION DE HAUTE ALTITUDE

MIO

**Au Canada**, il n'est pas nécessaire de convertir cette fournaise pour haute altitude (2000 - 4500 pieds) lorsque le gaz naturel est utilisé comme combustible. Elle est certifiée pour fonctionner à haute altitude. Entre 2000 et 4500 pieds lorsque le propane est utilisé comme combustible, une réduction de 10% de la capacité d'entrée est nécessaire.

**Aux États-Unis**, il n'est pas nécessaire de convertir cette fournaise pour haute altitude (2000 - 5400 pieds) lorsque le gaz naturel est utilisé comme combustible. Elle est certifiée pour fonctionner à haute altitude jusqu'à 5400 pi seulement. Au-delà de 5400 pi, l'indice du débit doit être réduit au taux de 4 % pour chaque 1000 pieds supplémentaires au-dessus du niveau de la mer. Si le propane est utilisé comme combustible, consultez le tableau des spécifications pour haute altitude pour connaître les réductions de débit appropriées au-dessus de 2000 pi, au taux de 4 % pour chaque 1000 pieds supplémentaires au-dessus du niveau de la mer. Consultez les fournisseurs de gaz et autorités de votre localité pour connaître les règlements et habitudes.

H18.1.5

DÉBIT K/BTU/h	ALTITUDE	DIMENSION D'INJECTEUR (DMS)	
		NATUREL	GAZ PL
40/60/80 100/120	0-2000 (0-610 m)	45	55
	2000-3000 (610-914 m)		56
	3000-4000 (914-1219 m)		57
	4000-5000 (1219-1524 m)		58
	5000-5400 (1524-1646 m)		59
	5400-6000 (1646-1829 m)	51	60
	6000-7000 (1829-2134 m)	52	61
	7000-8000 (2134-2438 m)	53	62
	8000-9000 (2438-2743 m)	54	63
	9000-10000 (2743-3048 m)	55	65

*Les débits de gaz sont homologués pour des élévations allant jusqu'à 5400 pieds (1646 m) pour le gaz naturel. Pour des élévations supérieures à 5400 pieds (1646 m) pour le gaz naturel, ou supérieures à 2000 pieds (610 m) pour le propane, suivez le tableau de réduction de débit ci-dessus.*

H12.8.1B

### 13.2 DU GAZ NATUREL AU PROPANE

Cette fournaise est fabriquée comme un appareil au gaz naturel qui peut être converti au propane en utilisant **W370-0018**. Cet ensemble comprend les instructions, les injecteurs nécessaires pour tous les modèles, le ressort du régulateur pour la soupape de gaz et une étiquette qui doit être fixée près de la plaque d'homologation de l'appareil pour aviser les techniciens de service de la conversion. **Les pièces qui ont été enlevées pour cette conversion doivent demeurer avec la fournaise pour une conversion ultérieure au gaz naturel.**

Lorsque vous convertissez la fournaise pour fonctionner au propane, vous devez installer un commutateur de basse pression qui est inclus dans l'ensemble de conversion au propane n° W370-0018.

H18.2B

### 13.3 PROCESSUS DE CONVERSION

Consultez les directives détaillées insérées dans l'Ensemble de conversion du gaz naturel au propane (W370-0018).

H18.3

### 13.4 VÉRIFICATION DE LA PRESSION D'ALIMENTATION EN GAZ

#### SOUPAPE DE GAZ À DEUX ÉTAPES WHITE-RODGERS 36G54

1. Coupez l'alimentation en gaz et électrique à la fournaise.
2. Tournez, d'un tour maximum vers la gauche, la vis d'essai de pression de sortie (bossage de pression de sortie, FIGURE 31), en utilisant une clé Allen de 3/32". Fixez un boyau et un tube en U étalonné, ou un manomètre numérique, sur le bossage de pression d'arrivée. Le boyau devrait recouvrir le bossage de 3/8". L'échelle de mesure du manomètre doit aller de 0 à 15" CE, minimum.
3. Rétablissez l'alimentation en gaz et électrique et faites fonctionner la fournaise ainsi que tous les autres appareils raccordés à la même ligne d'alimentation en gaz. À l'aide d'une solution de détection de fuite, vérifiez l'étanchéité du raccord de la soupape/collecteur de gaz et des injecteurs de brûleur. Réparez les fuites avant de continuer.
4. Mesurez la pression d'arrivée du gaz de la fournaise avec les brûleurs allumés. La pression d'arrivée doit respecter l'étendue indiquée sur la plaque d'homologation de la fournaise : 5 à 10,5" CE (gaz naturel) ou 11 à 13" CE (propane).

Si la pression d'arrivée diffère de celle indiquée sur la plaque d'homologation, faites les réglages nécessaires au régulateur de pression, à la grosseur de la conduite de gaz, etc., ou consultez le fournisseur de gaz local.

5. Coupez l'alimentation en gaz et électrique à la fournaise. Enlevez le tuyau du manomètre du bossage de pression d'arrivée, puis serrez la vis d'assemblage de la pression d'arrivée à l'aide d'une clé Allen de 3/32". (Vers la droite, 7 lb-po minimum).
6. Rétablissez l'alimentation en gaz et électrique à la fournaise.
7. À l'aide d'une solution de détection de fuite, vérifiez l'étanchéité des bossages de pression. La formation de bulles indique une fuite. **COUPEZ LE GAZ ET RÉPAREZ LES FUITES IMMÉDIATEMENT!**
8. Rétablissez l'alimentation en gaz et testez le bossage de pression d'arrivée à l'aide d'un détecteur de fuites.
9. Si vous vérifiez un système au gaz naturel, contactez le fournisseur de gaz. Ce dernier vous recommandera peut-être de faire effectuer les réglages par un de leurs techniciens.

Si vous avez éprouvé des difficultés à obtenir une pression suffisante au collecteur, examinez le système de conduits de gaz pour en confirmer les bonnes dimensions. La dimension des conduits est spécifiée dans les normes CAN/CSA-B-149.1 et 2, et NFPA 54/ANSI Z223.1. Vérifiez aussi qu'il n'y pas de restrictions, que les soupapes ne sont pas partiellement fermées, etc.

Dans certains cas, l'installation d'un régulateur à la conduite de gaz peut être nécessaire pour remédier à une pression d'arrivée élevée. Si vous utilisez un tel régulateur, assurez-vous qu'il convient au volume de gaz requis par la fournaise et tout autre appareil alimenté par le collecteur desservant la fournaise.

H18.4.2A

FIGURE 31 - SOUPE DE GAZ WHITE RODGERS 36G54

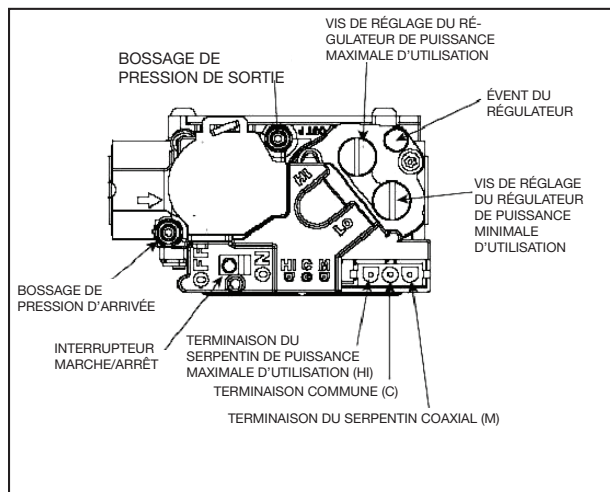
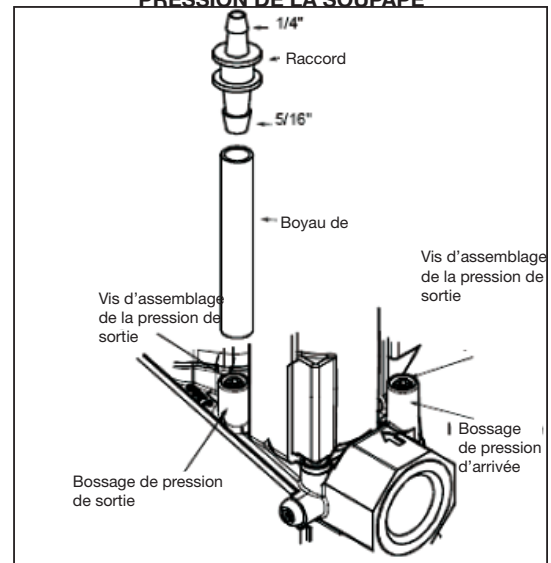


FIGURE 32 - ENSEMBLE DE VÉRIFICATION DE LA PRESSION DE LA SOUPE



### 13.5 RÉGLAGE DE LA PRESSION DE LA GAZ AU COLLECTEUR

Lorsque vous avez terminé l'étape « Démarrage et réglage », vérifiez la pression du gaz au collecteur en suivant ces étapes :

#### SOUPE DE GAZ À DEUX ÉTAPES WHITE-RODGERS

1. Avant de procéder, coupez l'alimentation en gaz et l'alimentation électrique.
2. Tournez, d'un tour maximum vers la gauche, la vis d'essai de pression de sortie (bossage de pression de sortie, FIGURE 31), en utilisant une clé Allen de 3/32". Fixez un boyau et un tube en U étalonné, ou un manomètre numérique, sur le bossage de pression de sortie. Le boyau devrait recouvrir le bossage de 3/8". L'échelle de mesure du manomètre doit aller de 0 à 15" CE, minimum.
3. Rétablissez l'alimentation en gaz et électrique à la fournaise et activez le solénoïde principal en raccordant R et W1 sur le panneau de contrôle. N'activez pas le solénoïde HI.
4. Enlevez la vis d'obturation du régulateur de puissance minimale d'utilisation (Fig.31) et tournez la vis de réglage en plastique vers la droite pour augmenter la pression au collecteur et vers la gauche pour la réduire. Réglez toujours le régulateur selon les spécifications du fabricant de l'équipement original indiquées sur la plaque d'homologation de l'appareil. Replacez la vis d'obturation du régulateur.
5. Activez le solénoïde principal et la borne HI en raccordant R/W1 et W1/W2 sur le contrôle intégré de la fournaise. Enlevez la vis d'obturation du régulateur de puissance maximale d'utilisation (Fig.31) et tournez la vis de réglage en plastique vers la droite pour augmenter la pression au collecteur et vers la

gauche pour la réduire. La pression au collecteur devrait être réglée au pression spécifié sur la plaque d'homologation de l'appareil. Réglez toujours le régulateur selon les spécifications du fabricant de l'équipement original indiquées sur la plaque d'homologation de l'appareil.

Une fois la bonne pression atteinte, remplacez la vis d'obturation du régulateur.

6. Coupez l'alimentation en gaz et électrique à la fournaise.
7. Enlevez le tuyau du manomètre du bossage de pression de sortie, puis serrez la vis d'assemblage de la pression de sortie à l'aide d'une clé Allen de 3/32". (Vers la droite, 7 lb-po minimum).

## ⚠ AVERTISSEMENT ⚠

**LES RÉGLAGES DU RÉGULATEUR DOIVENT ÊTRE EFFECTUÉS PAR UN TECHNICIEN QUALIFIÉ. DES MODIFICATIONS OU DES AJUSTEMENTS NON CONFORMES PEUVENT CAUSER UN INCENDIE OU UNE EXPLOSION ENTRAÎNANT DES DOMMAGES MATÉRIELS, DES BLESSURES CORPORELLES OU DES PERTES DE VIE.**

H3.21\_FR

8. Rétablissez l'alimentation en gaz et électrique à la fournaise.
9. Rétablissez l'alimentation du système et activez la soupape.
10. À l'aide d'une solution de détection de fuite, vérifiez l'étanchéité des bossages de pression. La formation de bulles indique une fuite. **COUPEZ LE GAZ ET RÉPAREZ LES FUITES IMMÉDIATEMENT!**

H18.5.5B

### 13.6 VÉRIFICATION DU DÉBIT DE LA FOURNAISE

La pression d'alimentation en gaz naturel devrait être un maximum de 10,5CE" et un minimum de 5" CE (7" CE recommandé). La pression d'alimentation en gaz du propane devrait se situer entre 11 et 13 po CE. Le débit de la fournaise est basé sur 1 000 BTU/pi<sup>3</sup> avec une masse volumique de 0,6.

Puisque les valeurs calorifiques du gaz varient géographiquement, le débit et le rendement actuel de la fournaise varieront en conséquence. Par exemple, le débit sera réduit à 90 % si le gaz naturel a une valeur calorifique de 900 BTU/pi<sup>3</sup>. Le débit augmentera à environ 110 % si le gaz naturel a une valeur calorifique de 1 100 BTU/pi<sup>3</sup>. Ces écarts n'entraînent habituellement pas de problème; toutefois, la pression du collecteur du brûleur peut être ajustée ou la grandeur de l'injecteur du brûleur peut être modifiée pour compenser cet écart. Consultez les fournisseurs de gaz pour obtenir les contenus calorifiques spécifiques.

Tout réglage à la pression du collecteur du brûleur doit être effectué à l'aide d'un manomètre ou d'une jauge de pression étalonnée de type Magnehelic®. Ne réglez pas le régulateur de pression de la soupape de gaz plus que ±0.3" CE. Référez-vous à la Figure 30.

#### **IMPORTANT :**

**LE DÉBIT DE LA FOURNAISE NE DOIT JAMAIS ÊTRE RÉGLÉ À UNE VALEUR DÉPASSANT CELLE INDICQUÉE SUR LA PLAQUE D'HOMOLOGATION.**

$$\text{Débit} = \frac{\text{Valeur calorifique du gaz} \times 3600}{\text{Temps en sec. pour 1 pi}^3}$$

où :

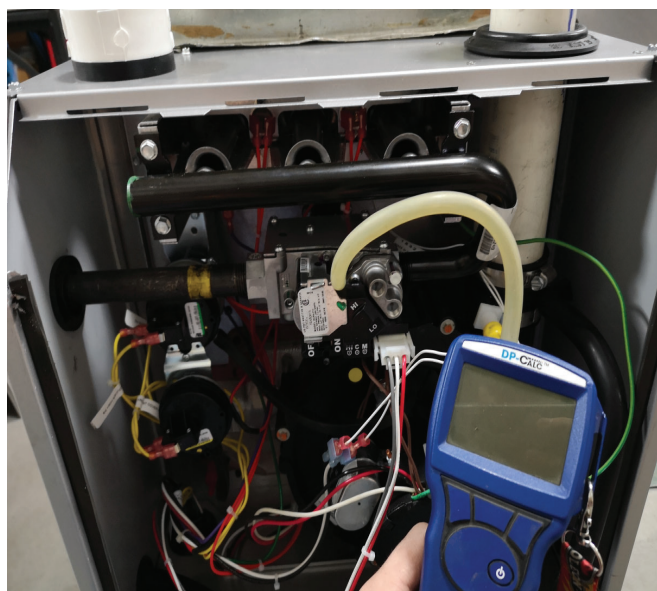
- Le débit est exprimé en BTU/h
- La valeur calorifique du gaz est exprimée en BTU/pi<sup>3</sup>
- et le temps représente le nombre de secondes requises pour que le cadran indique 1 pied cube.

*Si vous utilisez un compteur de gaz avec des unités SI (métrique) :*

- 1 pied cube = 0,0283 mètre cube
- 1 mètre cube = 35,315 pieds cubes
- 0,01 mètre cube = 0,3531 pied cube
- 0,5 mètre cube = 1,766 pied cube

H18.6.4A

**FIGURE 30 - MANOMÈTRE QUI MESURE LA PRESSION DU GAZ AU COLLECTEUR**



## 14.0 SPÉCIFICATIONS ÉLECTRIQUES

### 14.1 CÂBLAGE ET BRANCHEMENTS ÉLECTRIQUES

Avant de commencer les branchements électriques, assurez-vous que l'alimentation électrique est compatible avec la tension, la fréquence et la phase indiquées sur la plaque d'homologation de l'appareil.

Toutes les fournaies ont une tension de 120 V CA, 60 Hz, 1 Ø. L'intensité de courant électrique est de 12 A ou moins.

Chaque fournaise requiert un dispositif de surintensité dédié de 15 A, soit un disjoncteur de 15 A ou un fusible à fusion lente de type D de 15 A. Il est permis de brancher des accessoires de fournaise tels des transformateurs pour humidificateur, des pompes à condensats et des filtres à air électroniques. Si vous branchez des accessoires au circuit de la fournaise, assurez-vous que l'intensité de courant électrique totale indiquée sur la plaque d'homologation de l'appareil n'excède pas l'intensité du dispositif de surintensité.

### ! AVERTISSEMENT !

**COUPEZ L'ALIMENTATION ÉLECTRIQUE AU COFFRET DE FUSIBLES OU AU PANNEAU DE SERVICE AVANT D'EFFECTUER DES BRANCHEMENTS ÉLECTRIQUES. NE PAS RESPECTER CES DIRECTIVES POURRAIT OCCASIONNER UN CHOC ÉLECTRIQUE, CAUSANT DES BLESSURES CORPORELLES OU DES PERTES DE VIE.**

- LE CABINET DE LA FOURNAISE DOIT AVOIR UNE MISE À LA TERRE PERMANENTE.
- UN FIL DE MISE À LA TERRE EST FOURNI DANS LA BOÎTE DE JONCTION.
- N'UTILISEZ PAS UNE CONDUITE DE GAZ COMME MISE À LA TERRE.

**UNE FOURNAISE INADÉQUATEMENT MISE À LA TERRE POURRAIT OCCASIONNER UN CHOC ÉLECTRIQUE, CAUSANT DES BLESSURES CORPORELLES OU LA MORT.**

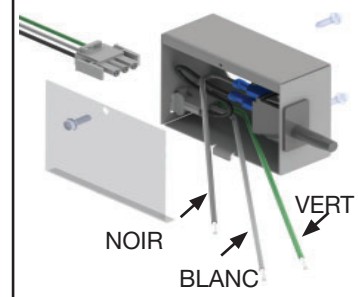
Au Canada, tous les branchements électriques doivent être conformes à la dernière édition de la norme CSA-C22.1 du Code canadien de l'électricité, partie 1 et tout autre code local applicable.

Aux États-Unis, tous les branchements électriques doivent être conformes à la dernière édition de la norme ANSI/NFPA 70 du National Electrical Code.

Même si un circuit situé dans un endroit approprié peut servir d'interrupteur secteur, il est recommandé d'utiliser un interrupteur secteur distinct. Un interrupteur secteur distinct est nécessaire si l'accès au disjoncteur est près de la fournaise ou si la fournaise est située entre le panneau électrique principal et l'entrée de la chaufferie. **L'interrupteur de fournaise (interrupteur secteur) doit être clairement identifié et installé dans un endroit où il ne sera pas confondu comme étant un interrupteur de lumière ou un autre contrôle similaire.**

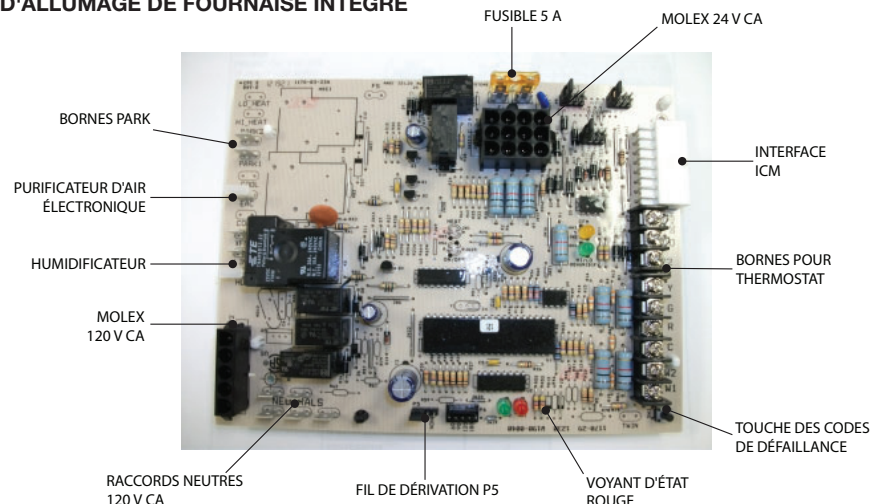
H3.22

FIGURE 35 - BRANCHEMENTS ÉLECTRIQUES/CONNECTEUR MOLEX



H19.1A

FIGURE 36 - CONTRÔLE D'ALLUMAGE DE FOURNAISE INTÉGRÉ



## 14.2 BRANCHEMENT DE LA FOURNAISE

Mis à part les raccordements au câblage électrique de la maison, la fournaise est complètement câblée lors de l'expédition. Les raccords d'alimentation de la fournaise sont branchés dans une boîte de jonction à l'intérieur du compartiment de la soufflerie. La boîte de jonction contient un fil NOIR qui doit être raccordé à L1 (chaud), un fil BLANC qui doit être raccordé à L2, le fil neutre et le fil VERT qui doit être raccordé à la mise à la terre.

### **NOTE**

Utilisez des serre-fils de bonne qualité tels des raccords Marrette®, des serre-fils Ideal®, etc.

### **IMPORTANT :**

**UTILISEZ SEULEMENT DES CONDUCTEURS EN CUIVRE.**

Si la boîte de jonction doit être déplacée de son emplacement original à l'autre côté de l'appareil:

1. Enlevez le capuchon de plastique du panneau gauche ou droit, puis placez-le sur le panneau qui ne fait pas l'objet d'un entretien.
2. Fixez la boîte de jonction au panneau sélectionné.
3. Fixez le raccordement de la ligne électrique dans la boîte de jonction, en suivant la référence ci-dessus.
4. Utiliser uniquement sol les vis pour boîte de jonction.

H19.2

## **⚠ AVERTISSEMENT ⚠**

**LA PORTE DE SOUFFLERIE DE CETTE FOURNAISE EST MUNIE D'UN INTERRUPTEUR DE SÉCURITÉ. NE DÉACTIVEZ PAS CET INTERRUPTEUR. NE PAS RESPECTER CES DIRECTIVES POURRAIT OCCASIONNER UN CHOC ÉLECTRIQUE, DES BLESSURES CORPORELLES OU DES PERTES DE VIE.**

H3.23

## 15.0 CÂBLAGE BASSE TENSION

Le câblage du thermostat et du contrôle doit être en cuivre d'un calibre minimal de 18 AWG. Des câbles trop longs pourraient occasionner une baisse de tension suffisante pour nuire au bon fonctionnement de la fournaise. Utilisez un câble 16 AWG pour les fils de thermostat qui excèdent 25 pieds (7,6 m) et 14 AWG pour ceux qui excèdent 50 pieds (15,2 m).

H53.1

### 15.1 THERMOSTAT À CONSIGNE UNIQUE

L'option de demande automatique de chaleur permet d'utiliser un thermostat à consigne unique avec une fournaise à deux étapes. Le contrôle possède un fil de dérivation mobile (P5) qui permet de sélectionner une demande automatique de 5 minutes ou \*10 minutes. La période de demande automatique débute lorsque la soufflerie est activée après la période de délai de la soufflerie. Si le fil de dérivation est à la position 5 minutes, le contrôle démarrera la chaleur élevée après 5 minutes de fonctionnement continu à basse température. Si le fil de dérivation est à la position \*10 minutes, le contrôle démarrera la chaleur élevée après 10 minutes de fonctionnement continu à basse température. Une fois que la chaleur est démarrée à partir de la demande automatique, la chaleur ne s'éteindra pas avant que la température soit atteinte.

\* Réglage en usine

H53.4

#### Réglez l'anticipateur de chaleur du thermostat mécanique :

Réglez l'anticipateur de chaleur du thermostat pour qu'il corresponde à l'ampérage des composants électriques du circuit R-W.

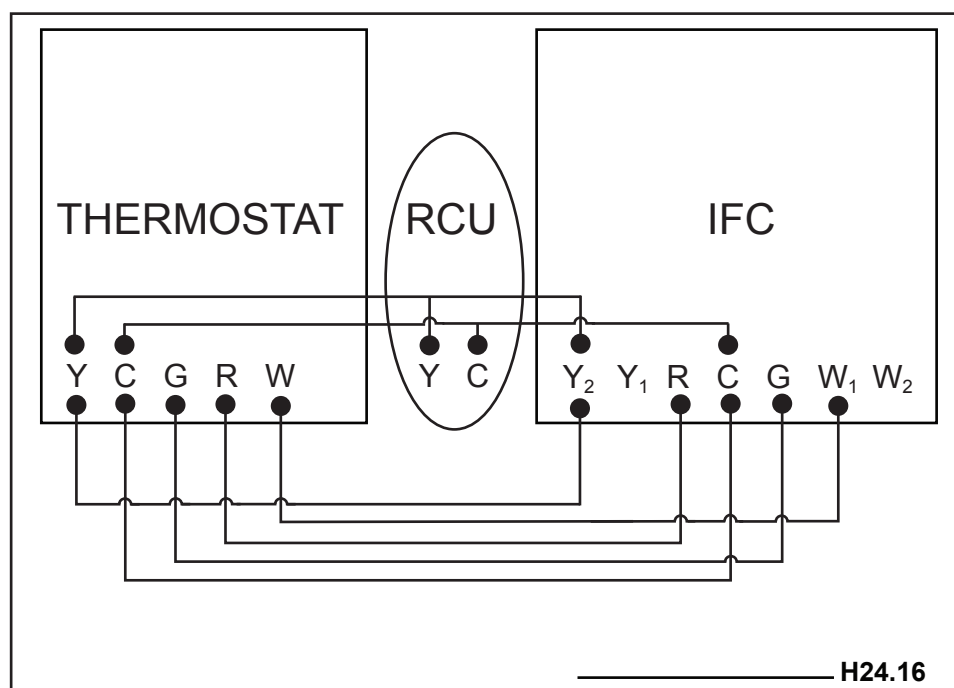
Vous pouvez obtenir des lectures précises d'ampérage sur les fils normalement connectés aux bornes R et W du panneau de montage du thermostat. L'anticipateur de chaleur du thermostat ne doit PAS être dans le circuit pendant la mesure du courant.

1. Retirez le thermostat du panneau de montage ou du mur.
2. Connectez un ampèremètre aux bornes R et W du panneau de montage ou aux fils R et W du mur.
3. Enregistrez l'ampérage aux bornes lorsque la fournaise fonctionne à basse température et après le démarrage du ventilateur.
4. Réglez l'anticipateur de chaleur du thermostat conformément aux instructions du thermostat et installez-le sur le panneau de montage ou le mur.

Le panneau et la soupape de gaz dans une fournaise Wolf Steel consomment 0,9 ampère.

Si vous utilisez un thermostat électronique : Réglez la fréquence de cycle sur 3-4 cycles par heure.

FIGURE 30 - DIAGRAMME DU CONNEXION DU THERMOSTAT



H24.16

## 15.2 THERMOSTAT À DEUX CONSIGNES

Lorsque vous branchez un thermostat à deux consignes, le fil de dérivation (P5) doit être à la position « NONE ». Lorsque le thermostat W2 demande de la chaleur, le contrôle fonctionne à chaleur élevée.

H53.3

FIGURE 31 - DIAGRAMME DU CONNEXION DU THERMOSTAT

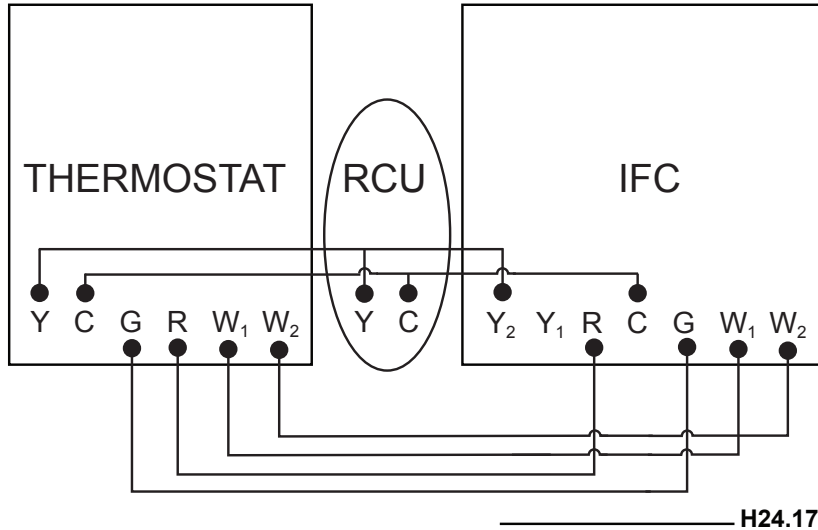
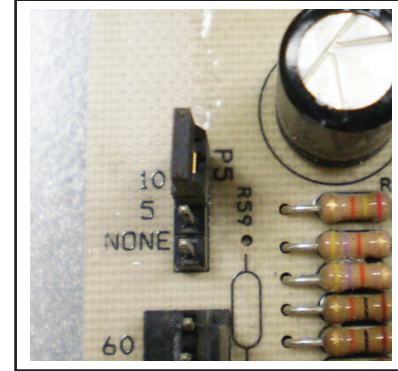


FIGURE 32 - FIL DE DÉRIVATION P5



## 15.3 EMPLACEMENT DU THERMOSTAT

Le thermostat doit être installé à 5 pieds environ au-dessus du sol, sur un mur intérieur où il y a une bonne circulation d'air naturelle et où il sera exposé à des températures moyennes. Évitez les endroits où le thermostat sera exposé à des courants d'air froid, à la chaleur provenant de lampes ou d'appareils, à la lumière du soleil, à la chaleur provenant des conduits installés à l'intérieur des murs, etc.

H53.2

# 16.0 ACCESSOIRES OPTIONNELS (FOURNIS SUR PLACE/INSTALLÉS)

## 16.1 PURIFICATEUR D'AIR ÉLECTRIQUE

Le contrôle intégré de la fournaise peut fournir le courant et contrôler un purificateur d'air électrique de 120 V CA; 1,0 A max. L'alimentation 120 volts sera disponible à ces bornes quand le ventilateur de circulation fonctionne en mode chauffage ou en mode refroidissement.

H20.1.1

## 16.2 HUMIDIFICATEUR

Le contrôle intégré de la fournaise peut fournir le courant et contrôler un humidificateur à tension secteur ou un transformateur abaisseur d'un humidificateur de 120/24 volts, 20 V CA; 1,0 A max.

### NOTE

Les bornes HUM et EAC ont une tension de 120 V. Ne branchez pas d'équipements 24 V directement à ces bornes.

H20.2

## 17.0 PROCÉDURES DE MISE EN MARCHÉ

Cette fournaise est munie d'un allumeur de surface chaude. Chaque fois que le thermostat démarre le chauffage, l'allumeur de surface chaude allume directement les brûleurs principaux. Référez-vous aux instructions d'allumage sur la fournaise.

Lors du raccordement initial de l'alimentation en gaz à la fournaise, les conduits de gaz pourraient être remplis d'air. Suivez les instructions figurant dans le code d'installation du gaz naturel et du propane pour purger correctement la conduite d'alimentation en gaz. Testez les raccords concernés pour vous assurer qu'il n'y a pas de fuites. Attendez cinq minutes, le temps de laisser le gaz se dissiper, avant de reprendre le processus de démarrage. Assurez-vous que la ventilation est suffisante pour diluer et évacuer le gaz qui s'est dégagé.

Lors du démarrage initial, il arrive qu'une odeur émane du registre dans une pièce. Afin d'assurer une ventilation suffisante, nous vous recommandons d'ouvrir les portes et fenêtres avant l'allumage initial.

La fournaise est équipée d'un interrupteur de pression négative qui agit comme dispositif de sécurité lors d'un appel de chauffage. Pour que l'interrupteur de pression négative se ferme, la soufflerie à tirage induit doit tirer une pression négative de l'échangeur de chaleur. La soufflerie à tirage induit doit maintenir, au minimum, le réglage de l'interrupteur de pression négative pour permettre à la fournaise de fonctionner. Si la soufflerie à tirage induit ne parvient pas à fermer l'interrupteur de pression négative ou à le maintenir fermé, il n'y aura pas d'appel de chauffage.

### **NOTE**

Il est obligatoire d'amorcer l'ensemble de purgeur de condensat avant l'allumage initial. Pour ce faire, consultez les directives énoncées dans la section de l'amorçage du purgeur de vapeur d'eau de ce manuel. Un purgeur à sec permettra aux résidus des gaz de combustion de circuler dans le serpentin de récupération, empêchant ainsi l'évacuation du condensat du serpentin de récupération. Si l'accumulation de condensat dans le serpentin est suffisante, l'interrupteur de pression du serpentin la détectera et coupera ses contacts électriques, puis éteindra la combustion. Si cela se produit, la soufflerie induite s'éteindra après un bref cycle post-purge, le condensat se videra et remplira le purgeur. Si le thermostat redémarre le chauffage, la séquence de démarrage recommencera après 5 minutes.

H21.0B

### 17.1 MISE EN MARCHÉ DE LA FOURNAISE

1. Coupez l'alimentation électrique à la fournaise et réglez le thermostat au plus bas.
2. Retirez la porte d'accès du compartiment du brûleur.

#### **IMPORTANT :**

**ASSUREZ-VOUS QUE L'INTERRUPTEUR DE LA SOUPAPE DE GAZ MANUELLE EST À LA POSITION « OFF » DEPUIS AU MOINS 5 MINUTES. NE TENTEZ PAS D'ALLUMER LES BRÛLEURS PRINCIPAUX MANUELLEMENT.**

3. Mettez l'interrupteur de la soupape de gaz à la position « ON ».
4. Remettez la porte d'accès du compartiment du brûleur.
5. Mettez la soupape d'arrêt manuelle à la position « ON ».
6. Rétablissez l'alimentation électrique à l'appareil.
7. Réglez le thermostat à une température plus élevée que la température ambiante pour allumer la fournaise.
8. Après que les brûleurs sont allumés, réglez le thermostat à la température désirée.

H21.1

### 17.2 ARRÊT DE LA FOURNAISE

1. Réglez le thermostat d'ambiance à au-dessous de la valeur de consigne. le thermostat au plus bas.
2. Retirez la porte d'accès du compartiment du brûleur.
3. Mettez l'interrupteur de la soupape de gaz à la position « OFF ».
4. La soupape d'arrêt de la fournaise peut être fermée.
5. La fournaise doit rester allumée pour que le climatiseur fonctionne.

H21.2

## ! AVERTISSEMENT !

**EN CAS DE SURCHAUFFE OU SI LES BRÛLEURS DE GAZ NE SE FERMENT PLUS, FERMEZ LA SOUPAPE DE GAZ MANUELLE DE LA FOURNAISE AVANT DE COUPER L'ALIMENTATION ÉLECTRIQUE À LA FOURNAISE. SI CES INSTRUCTIONS NE SONT PAS SUIVIES À LA LETTRE, UN INCENDIE OU UNE EXPLOSION POURRAIENT S'ENSUIVRE, CAUSANT DES DOMMAGES MATÉRIELS, DES BLESSURES CORPORELLES OU DES PERTES DE VIE.**

**AVANT DE REDÉMARRER L'APPAREIL, VÉRIFIEZ SI LES ÉVÉNEMENTS DE PLASTIQUE ET LE CÂBLAGE SONT ENDOMMAGÉS.**

H3.24

### 17.3 SÉQUENCE DE FONCTIONNEMENT

1. Si la température de la pièce chute, le thermostat démarre le chauffage en connectant « W1 » à « R ». Le contrôle vérifie que l'interrupteur de fin de course est fermé et que les interrupteurs de faible et de haute pression sont ouverts. Le contrôle active le moteur du ventilateur d'évacuation à la vitesse la plus élevée et attend que l'interrupteur de faible pression se ferme. Le ventilateur d'évacuation demeure à la vitesse élevée et commence une période de pré-purge de 15 secondes. L'interrupteur de haute pression est ignoré. Si l'interrupteur de faible pression ne se ferme pas dans un délai de 60 secondes, le contrôle affichera le chiffre « 2 » clignotant sur le voyant DEL rouge, et il désactivera le ventilateur d'évacuation pendant 60 minutes.
2. Lorsque la période de pré-purge de 15 secondes est écoulée, le contrôle active l'allumeur de surface chaude pendant une période de réchauffement de 15 secondes (15 secondes pour les essais ultérieurs). Le contrôle active la soupape de gaz principale inférieure. Quatre secondes après avoir activé le gaz, le contrôle désactive l'allumeur de surface chaude et laisse le gaz activé pendant une autre seconde pour la vérification de la flamme. Si la flamme est présente à la fin de la période d'allumage, le contrôle laisse la soupape de gaz activée, place le ventilateur d'évacuation à la vitesse élevée et commence à souffler l'air chaud. Le contrôle s'allume toujours avec le ventilateur d'évacuation élevé et le gaz faible, et ne redémarre pas le chauffage jusqu'à ce que la puissance minimale d'utilisation soit établie pendant 15 secondes.
3. La soufflerie entre en fonction lorsque la soupape de gaz est activée. Le contrôle donne le signal de vitesse de faible chaleur au moteur lorsque la flamme est établie, et amorce une période d'attente de 30 secondes avant que la soufflerie atteigne sa pleine capacité.
4. Lorsque le thermostat démarre le chauffage de deuxième étape (W2 ou demande automatique), le contrôle fait passer le ventilateur d'évacuation de la vitesse faible à élevée. Lorsque l'interrupteur de haute pression se ferme, le contrôle change la vitesse de la soufflerie intérieure de faible à élevée, et active la sortie de gaz élevée. Si l'interrupteur de haute pression est ouvert, le voyant DEL vert clignotera. Si l'interrupteur de haute pression est fermé, le voyant DEL vert sera allumé. La soupape de gaz élevé chute lorsque l'interrupteur de haute pression est ouvert, car elle est installée en série avec cet interrupteur.
5. Lorsque le chauffage du thermostat W2 s'éteint et celui du W1 continu (thermostat à deux consignes), le contrôle désactive la sortie de gaz élevée et fait immédiatement passer le ventilateur d'évacuation de la vitesse élevée à faible. Lorsque les contacts de chaleur du thermostat sont ouverts (thermostat à consigne unique), les flammes s'éteignent immédiatement et le ventilateur d'évacuation s'arrête après une période de 5 secondes suivant la purge.
6. Le délai de désactivation de la soufflerie est géré par le moteur. Le contrôle désactive le signal de chaleur du moteur lorsque la soupape de gaz se désactive, et amorce une période d'arrêt programmée.

#### S'IL Y A EXTINCTION DE LA FLAMME :

Si la flamme s'éteint, le contrôle désactive la soupape de gaz dans un délai de 2 secondes, fait passer le moteur du ventilateur d'évacuation à la vitesse élevée (s'il ne l'est pas déjà), et démarre la période de pré-purge. Le moteur de la soufflerie intérieure sera activé ou restera activé à la vitesse de chauffage pendant la période de désactivation programmée. Lorsque la période inter-purge est terminée, le contrôle réenclenchera jusqu'à 5 pertes de flamme (4 réenclenchements) avec un seul démarrage de chaleur avant d'aller en mode verrouillage. Le contrôle affichera le chiffre « 8 » clignotant sur le voyant DEL rouge si le verrouillage est le résultat d'un trop grand nombre de pertes de flamme (verrouillage de 1 heure).

H21.3.2B

## 18.0 CIRCULATION D'AIR

La circulation d'air au-dessus de l'échangeur d'air est très importante pour que l'appareil fonctionne bien. Une circulation d'air insuffisante accélère la fatigue du métal, pourrait causer un bris de l'échangeur de chaleur et pourrait réduire l'efficacité. Une circulation d'air excessive favorisera la corrosion de l'échangeur de chaleur.

**IMPORTANT :**  
**N'OMETTEZ PAS CETTE ÉTAPE DES**  
**PROCÉDURES DE MISE EN MARCHÉ.**

H22.0

TABLEAU 1 - ÉTENDUE DES ÉLÉVATIONS DE TEMPÉRATURES

	RÉGIME	DÉBIT	RENDEMENT	DELTA T (°F)
WUV040T2AA-N	HF	40,000	39,000	40-70
	LF	24,000	23,000	35-65
WUV060T3AA-N	HF	60,000	58,000	40-70
	LF	36,000	35,000	35-65
WUV080T3AA-N	HF	80,000	78,000	45-75
	LF	48,000	47,000	40-70
WUV080T4BA-N	HF	80,000	78,000	40-70
	LF	48,000	47,000	35-65
WUV100T5BA-N	HF	100,000	97,000	40-70
	LF	60,000	58,000	35-65
WUV120T5BA-N	HF	120,000	116,000	40-70
	LF	72,000	70,000	35-65

HF - Puissance max. d'utilisation, LF - Puissance min. d'utilisation

### 18.1 VÉRIFICATION DES ÉLÉVATIONS DE TEMPÉRATURE

Lorsque le système de conduits est complètement installé et que les filtres à air sont en place, déterminez si la circulation d'air est correcte pour les débits d'alimentation faible et élevé.

1. Insérez un thermomètre à conduit dans le conduit d'alimentation d'air. Le thermomètre doit être placé aussi près que possible de l'appareil, mais hors de la « ligne de visée » de l'échangeur de chaleur (afin de prévenir les fausses lectures causées par la chaleur radiante). Assurez-vous que l'emplacement du thermomètre se situe à l'intérieur du courant d'air principal. Évitez les emplacements tels le rayon intérieur d'un coude, etc.
2. Insérez un thermomètre à conduit dans le conduit de retour d'air, le plus près possible de l'appareil. Assurez-vous que le thermomètre ne sera pas affecté par les conduits de dérivation d'un humidificateur, etc. Choisissez un emplacement bien à l'intérieur du courant d'air principal.
3. Faites fonctionner l'appareil suffisamment longtemps pour obtenir des conditions stables pour les deux débits d'alimentation (élevé et faible).
4. Lorsque les deux thermomètres sont stables, habituellement dans un délai de cinq à huit minutes, comparez les deux lectures. Soustrayez la température de retour d'air de la température d'alimentation en air. La différence équivaut à l'élévation de température, aussi appelée  $\Delta T$ .
5. Comparez le  $\Delta T$  mesuré à l'échelle d'élévation de température indiquée sur la plaque d'homologation.

Lors de l'ajustement de l'élévation de la température, la température idéale se situe à peu près à mi-chemin des températures indiquées sur la plaque d'homologation. Consultez la section 18.3.

**La vitesse du débit d'air de chauffage n'est pas réglable.**

H22.1.7

Si la  $\Delta T$  mesurée se situe au-dessus des températures approuvées, alors la circulation d'air est insuffisante. Elle doit être augmentée en retirant les obstructions dans les conduits, en ajoutant un conduit d'alimentation ou de retour d'air, ou en sélectionnant une vitesse du moteur plus rapide. Si la  $\Delta T$  mesurée est trop faible, alors la circulation d'air est trop forte.

## 18.2 ÉVALUATION DE LA CIRCULATION D'AIR

Dans certaines circonstances, il peut être souhaitable de connaître la quantité d'air fournie par le système de conduits, par exemple lorsqu'on évalue la quantité d'air disponible pour la climatisation. Il est possible de prendre une mesure directe à l'aide de manomètres et de vélocimètres électroniques ou à cadran, ou utilisez la formule de la colonne suivante. Une mesure directe peut aussi être estimée en comptant le nombre de fois que la DEL pi<sup>3</sup>/min de couleur ambre, sur le panneau de contrôle, clignote. Chaque clignotement équivaut à 100 pi<sup>3</sup>/min.

**IMPORTANT:** Assurez-vous d'avoir installé toutes les portes / le panneau d'accès sur l'équipement avant de mesurer Delta T.

$$\text{PCM (pi}^3\text{/min)} = \frac{\text{Débit}}{1,085 \times \Delta T}$$

Où :

- PCM (pi<sup>3</sup>/min) représente le débit d'air en pieds cubes par minute;
- ΔT représente l'élévation de température; et
- Débit représente la capacité de l'appareil selon la plaque d'homologation.

H22.2.1A

## 18.3 DÉBIT D'AIR DU VENTILATEUR

### ⚠ AVERTISSEMENT ⚠

**COUPEZ L'ALIMENTATION ÉLECTRIQUE DE L'APPAREIL AVANT DE CHANGER LA VITESSE DE LA SOUFFLERIE. NE PAS RESPECTER CETTE DIRECTIVE POURRAIT OCCASIONNER UN CHOC ÉLECTRIQUE POUVANT PROVOQUER DES BLESSURES CORPORELLES OU DES PERTES DE VIE.**

H3.77

Cet appareil est réglé en usine pour fonctionner à l'élévation de température moyenne indiquée sur la plaque d'homologation. La vitesse de refroidissement est réglée au débit d'air maximal indiqué dans le numéro de modèle.

Trois séries de fils de dérivation mobiles à quatre positions sont fournies pour la chaleur, le refroidissement et l'ajustement d'un moteur à vitesse variable. Ces fils de dérivation mobiles envoient un signal au moteur ECM sans autre interaction avec le panneau de contrôle.

Si la vitesse de la soufflerie doit être ajustée, suivez ces étapes :

1. Retirez la porte d'accès du compartiment de la soufflerie.
2. Pour ajuster le débit d'air du moteur, retirez le fil de dérivation mobile COOL (refroidissement) ou HEAT (chauffage) de la position A et placez-le sur la lettre correspondante (B, C ou D). Consultez les tableaux 7A et 7B.

Le déplacement du fil de dérivation mobile ADJUST (ajustement) de la position NORM (normale) vers la position (+) ou (-) augmentera ou diminuera le débit d'air de 15 %.

La position TEST sur le panneau ADJUST (ajustement) n'est pas utilisée.

**NOTE :** L'élévation de température doit toujours être vérifiée lorsque la vitesse de la soufflerie change. Le débit d'air ne doit pas dépasser le maximum spécifié dans les tableaux ci-dessous.

H22.6.2D

TABLEAU 11A - DÉBIT D'AIR (W1-BASSE TEMPÉRATURE)

	WUV040T2AA-N	WUV060T3AA-N	WUV080T3AA-N	WUV080T4BA-N	WUV100T5BA-N	WUV120T5BA-N
	ESP: 0.10" WC à 0.50" WC	ESP: 0.12" WC à 0.50" WC	ESP: 0.20" WC à 0.50" WC			
Heat Jumper	CFM					
A (MAX)	405	608	802	786	1134	1306
B	N/A					
C	342	566	675	748	972	1068
D			617	656	890	923

TABLEAU 11B - DÉBIT D'AIR (W2-CHALEUR ÉLEVÉE)

	WUV040T2AA-N	WUV060T3AA-N	WUV080T3AA-N	WUV080T4BA-N	WUV100T5BA-N	WUV120T5BA-N
	ESP: 0.10" WC à 0.50" WC	ESP: 0.12" WC à 0.50" WC	ESP: 0.20" WC à 0.50" WC			
Heat Jumper	CFM					
A (MAX)	607	928	1149	1225	1628	1833
B	N/A					
C	554	773	1024	1106	1399	1588
D	495	718	963	1018	1311	1394

H12.7.5A

**TABLEAU 7A - DÉBIT D'AIR (Y1-BASSE TEMPÉRATURE)**

Cool Jumper	WUV040T2AA-N		WUV060T3AA-N		WUV080T3AA-N		WUV080T4BA-N		WUV100T5BA-N		WUV120T5BA-N	
	ESP: 0.10" WC à 0.50" WC		ESP: 0.12" WC à 0.50" WC		ESP: 0.20" WC à 0.50" WC		ESP: 0.20" WC à 0.50" WC		ESP: 0.20" WC à 0.50" WC		ESP: 0.20" WC à 0.50" WC	
	A/C Tonne	CFM	A/C Tonne	CFM	A/C Tonne	CFM	A/C Tonne	CFM	A/C Tonne	CFM	A/C Tonne	CFM
A (MAX)	2.5T	554	3.0T	871	3.0T	880	4.0T	1109	5.0T	1309	5.0T	1366
B	2.0T	479	2.5T	694	2.5T	696	3.0T	815	4.0T	928	4.0T	1070
C	1.5T	342	2.0T	563	2.0T	570	2.5T	666	3.0T	660	3.0T	791
D	N/A		1.5T	566	1.5T		2.0T	540	2.5T	592	2.5T	666

**TABLEAU 7B - DÉBIT D'AIR (Y2-CHAUD ÉLEVÉE)**

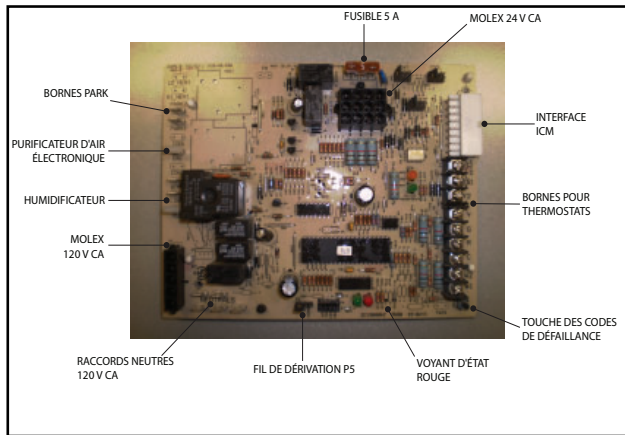
Cool Jumper	WUV040T2AA-N		WUV060T3AA-N		WUV080T3AA-N		WUV080T4BA-N		WUV100T5BA-N		WUV120T5BA-N	
	ESP: 0.10" WC à 0.50" WC		ESP: 0.12" WC à 0.50" WC		ESP: 0.20" WC à 0.50" WC		ESP: 0.20" WC à 0.50" WC		ESP: 0.20" WC à 0.50" WC		ESP: 0.20" WC à 0.50" WC	
	A/C Tonne	CFM	A/C Tonne	CFM	A/C Tonne	CFM	A/C Tonne	CFM	A/C Tonne	CFM	A/C Tonne	CFM
A (MAX)	2.5T	751	3.0T	1201	3.0T	1238	4.0T	1680	5.0T	1984	5.0T	2070
B	2.0T	651	2.5T	1013	2.5T	1024	3.0T	1235	4.0T	1406	4.0T	1621
C	1.5T	495	2.0T	823	2.0T	834	2.5T	1009	3.0T	1000	3.0T	1199
D	N/A		1.5T	630	1.5T	632	2.0T	818	2.0T	897	2.5T	1009

**NOTE**

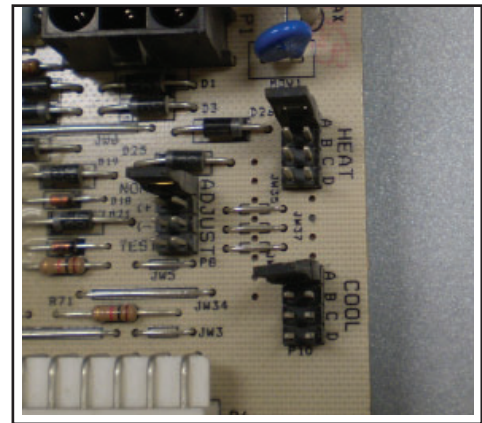
Débit d'air basé sur approximativement 375 à 400 CFM / tonne. Voir Figure 34 dans le manuel.

H12.1.14A

**FIGURE 33 - CONTRÔLE D'ALLUMAGE DE FOURNAISE INTÉGRÉ**



**FIGURE 34**



## 18.4 DÉSHUMIDIFICATION

Pour les cas où le contrôle de l'humidité représente un problème, une fonction de déshumidification a été intégrée au moteur à vitesse variable. Au début de chaque cycle de refroidissement, le moteur à vitesse variable fonctionnera à 82 % du débit d'air nominal pendant 7,5 minutes. Après ce délai, le moteur fonctionnera à 100 % du débit d'air nominal.

Sur le devant des bornes d'entrée du thermostat se trouvent trois fils de dérivation servant à diverses applications. Ces fils peuvent être coupés en cas d'inutilisation des fonctions.

- Le fil de dérivation JW38 sert à raccorder Y1 à Y2 de façon à ce que le moteur ECM ne reconnaisse qu'une seule entrée, lorsqu'un thermostat à un stage est utilisé. Si vous branchez un climatiseur à un stage, l'entrée peut correspondre à la borne Y1 ou Y2. Si vous branchez un climatiseur à deux stages, le fil de dérivation JW38 doit être coupé (Y1 pour le premier stage de refroidissement, Y2 pour le deuxième stage de refroidissement).
- Le fil de dérivation JW39 sert à raccorder O à R, ce qui permet l'utilisation d'une thermopompe en mode « sans thermopompe » (refroidissement seulement). Si le fil de dérivation JW39 est coupé, la thermopompe fonctionnera en mode thermopompe.
- Le fil de dérivation JW40 sert à raccorder DEHUM à R, ce qui permet de maintenir la fonction déshumidification active en tout temps. Lorsque le fil de dérivation JW40 est coupé, le thermostat ou l'humidostat contrôle la déshumidification.

---

H22.4A

## 18.5 DÉLAIS DE MISE EN MARCHÉ ET D'ARRÊT DE LA SOUFFLERIE

Les délais de mise en marche/arrêt de la soufflerie sont gérés par la programmation de l'ECM. Le contrôle désactive le signal de chaleur de l'ECM lorsque la soupape de gaz se désactive. Les caractéristiques de ce moteur ECM à vitesse variable font en sorte qu'il fournira une circulation d'air constante dans une vaste gamme de pressions statiques externes. Elles comprennent aussi :

**Démarrage lent :** Le moteur ECM à vitesse variable augmentera lentement pour atteindre la vitesse de fonctionnement requise. Cette caractéristique du cycle de chauffage permet à l'échangeur de chaleur d'atteindre la température de fonctionnement avant la vitesse de chauffage réglée, ce qui réduit le bruit et augmente le confort.

**Arrêt lent :** À la fin de chaque cycle de chauffage ou de refroidissement, le moteur ECM à vitesse variable réduira lentement sa vitesse. Cette caractéristique augmente l'efficacité énergétique et réduit le bruit.

---

H22.5

## 18.6 FONCTIONNEMENT CONTINU DU VENTILATEUR

Lorsque l'interrupteur du thermostat de fonctionnement continu du ventilateur (G) est activé sans appel de chauffage ou de refroidissement, le ventilateur intérieur est immédiatement activé jusqu'à 50 % de la vitesse de refroidissement. Le ventilateur demeure activé tant que l'appel du ventilateur n'est pas jumelé à un appel de chauffage ou de refroidissement. Cette caractéristique permet la circulation d'air continue entre les appels de chauffage ou de refroidissement.

Si un appel de chauffage (W) survient lors du fonctionnement continu du ventilateur, la soufflerie demeurera activée, car l'appel de chaleur a priorité sur l'appel de ventilation.

Si un appel de refroidissement (Y) survient au même moment que l'appel de ventilation (G), l'appel de refroidissement surpasse l'appel de ventilation. Voir les données du débit d'air du tableau.

---

H22.3.2A

## 19.0 ENTRETIEN ET DÉPANNAGE

### ⚠ AVERTISSEMENT ⚠

**COUPEZ L'ALIMENTATION ÉLECTRIQUE DE L'APPAREIL AVANT D'EFFECTUER L'ENTRETIEN. NE PAS RESPECTER CES DIRECTIVES POURRAIT OCCASIONNER UNE DÉCHARGE ÉLECTRIQUE, CAUSANT DES BLESSURES CORPORELLES OU LA MORT.**

### ⚠ ATTENTION ⚠

AVANT DE PROCÉDER À L'ENTRETIEN DES CONTRÔLES, ÉTIQUETEZ TOUS LES FILS, PUIS DÉBRANCHEZ-LES. UN CÂBLAGE INCORRECT POURRAIT RENDRE LE FONCTIONNEMENT INAPPROPRIÉ ET DANGEREUX.  
VÉRIFIEZ TOUJOURS LE FONCTIONNEMENT APRÈS L'ENTRETIEN.

H3.25

### 19.1 FILTRE À AIR

Le filtre à air doit être inspecté fréquemment et nettoyé ou remplacé lorsque nécessaire. Nous recommandons une inspection mensuelle au début, correspondant peut-être à l'arrivée de la facture de gaz mensuelle comme rappel. La fréquence peut augmenter ou diminuer en fonction de l'expérience et des conditions.

Si les filtres sont sales, les températures de fonctionnement seront plus élevées que la normale et l'efficacité sera réduite. Certains filtres de papier à haute efficacité, parfois identifiés comme étant des filtres HEPA, peuvent filtrer l'air efficacement et d'excellente façon. Toutefois, certains modèles peuvent aussi causer une forte diminution de pression dans le filtre. L'entrepreneur doit évaluer la capacité du système de conduits de fournir suffisamment de circulation d'air si on envisage utiliser ce type de filtre.

**RECOMMANDATION** : Les purificateurs d'air électroniques utilisant la précipitation électrostatique pour retirer la poussière utilisés conjointement avec un pré-filtre constituent d'excellents dispositifs de filtration. Un modèle de 16" x 25" (406 mm x 635 mm) s'ajuste parfaitement à cet appareil dans le cas d'une prise d'air de retour installée sur le côté. Le contrôle intégré de l'appareil est fourni avec un terminal électrique pour l'utilisation avec des purificateurs d'air électroniques.

**NOTE** : En cas d'utilisation de deux prises d'air de retour, chacune d'elles doit être pourvue de filtres.

### ⚠ ATTENTION ⚠

**NE FAITES PAS FONCTIONNER VOTRE FOURNAISE SANS FILTRE À AIR PENDANT DE LONGUES PÉRIODES.**

**UNE PARTIE DE LA POUSSIÈRE PRÉSENTE DANS L'AIR POURRAIT SE LOGER DANS LES CONDUITS D'AIR ET DANS LES REGISTRES D'ALIMENTATION. TOUTE PARTICULE DE POUSSIÈRE EN RECIRCULATION SERA CHAUFFÉE ET CARBONISÉE, PUISQU'ELLE ENTRERA EN CONTACT AVEC L'ÉCHANGEUR DE CHALEUR. CES RÉSIDUS SALIRONT LES PLAFONDS, LES MURS, LES DRAPERIES, LES TAPIS ET TOUT AUTRE ARTICLE MÉNAGER.**

H23.1

### 19.2 LUBRIFICATION

Le moteur de ventilateur d'échappement et le moteur du ventilateur ont des roulements étanches. Aucun besoin de lubrification de routine. Un excès de lubrification annulera la garantie, réduira la durée de vie des moteurs et favorisera l'accumulation de poussière et de saleté.

H23.2.3

### 19.3 NETTOYAGE

Il est recommandé de limiter au minimum l'accumulation de poussière sur les surfaces chaudes, puisque la poussière, dans certains cas, peut être combustible.

L'accumulation de poussière dans le ventilateur de circulation peut réduire le rendement de la soufflerie, et par conséquent, réduire son efficacité.

La bobine de récupération est située immédiatement au-dessus de l'assemblage de la soufflerie. Avec le temps, elle peut se couvrir de poussière. Pour nettoyer la bobine de récupération :

1. Coupez l'alimentation électrique à la fournaise.
2. Retirez la porte d'accès l'échangeur de chaleur et la porte d'accès de la soufflerie.
3. Enlever les vis de couvercles de les vis fixant l'échangeur de chaleur au panneau de division et l'assemblage de la soufflerie.

## ⚠ ATTENTION ⚠

AVANT DE PROCÉDER À L'ENTRETIEN DES CONTRÔLES, ÉTIQUETEZ TOUS LES FILS, PUIS DÉBRANCHEZ-LES. UN CÂBLAGE INCORRECTE POURRAIT RENDRE LE FONCTIONNEMENT INAPPROPRIÉ ET DANGEREUX.

VÉRIFIEZ TOUJOURS LE FONCTIONNEMENT APRÈS L'ENTRETIEN.

4. Retirer les vis fixant l'assemblage de la soufflerie au panneau de division de la soufflerie à l'aide d'un tournevis hexagonal 1/4po.
5. Enlever les tuyaux de vidange du purgeur de condensat et assurez que tout déversement est nettoyer.
6. Débrancher les connecteurs du fil de harnais et enlever le harnais supérieure du panneau de division en faisant pivoter l'œillet à verrouillage en rotation de le sens antihoraire et tirant le connecteur par le trou de dégagement (*Figure 4 et 5*).

**FIGURE 4**

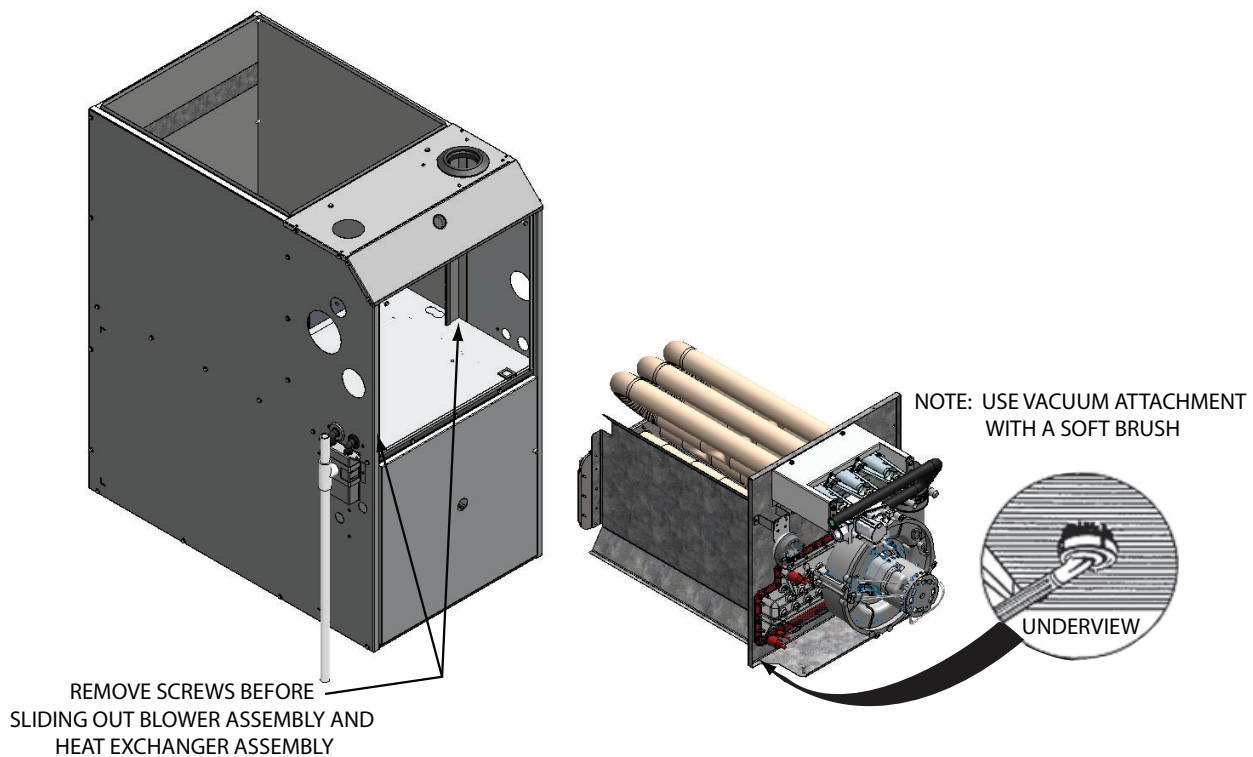


**FIGURE 5**



7. Retirer l'assemblage de l'échangeur de chaleur.
8. Lorsque l'assemblage de l'échangeur de chaleur a été enlevé, vous pouvez ensuite nettoyer les bobines à l'aide de la brosse douce de l'aspirateur. (Figure 6)

FIGURE 5



9. Lorsque du nettoyage, glissez l'échangeur de chaleur dans sa position d'origine en utilisant les trous de vis du panneau de division pour l'alignement.
10. Resserrez les vis pour attacher l'assemblage de la soufflerie au panneau de division et l'assemblage de l'échangeur de chaleur (les vis sont fixer du vestibule inférieur au vestibule supérieur) et placez les vis de couvercles.
11. Passez les connecteurs de fils dans le vestibule inférieur, fixez-les au panneau de division à l'aide du passe-fils à verrou tournant et rebranchez les connecteurs au harnais situé dans le vestibule inférieur.
12. Raccordez les lignes de drainage du condensat pour un drainage adéquat.
13. Remplacez la porte d'accès l'échangeur de chaleur et la porte d'accès de la soufflerie.
14. Rétablissez l'alimentation électrique à la fournaise.
15. Le nettoyage régulier de l'intérieur de la bobine de récupération ne devrait pas être nécessaire. S'il s'avérait nécessaire, il devrait être fait par un technicien de service formé et qualifié. De grandes quantités de saleté ou de débris s'accumulant dans le tuyau de drainage du condensat peuvent indiquer qu'il faut procéder à un nettoyage.

**IMPORTANT :**

Assurez-vous de ne pas plier les ailettes lors du nettoyage. Vous devriez laisser cette procédure d'entretien à votre technicien de service.

**⚠ AVERTISSEMENT ⚠**

**COUPEZ TOUJOURS L'ALIMENTATION ÉLECTRIQUE À LA FOURNAISE AVANT DE RETIRER LA PORTE D'ACCÈS DU COMPARTIMENT DU BRÛLEUR.**

H3.30

**⚠ ATTENTION ⚠**

**LE CIRCUIT DE GAZ EST CONÇU POUR FONCTIONNER EN TANT QU'UNITÉ SCELLÉE. ASSUREZ-VOUS QUE LA PORTE D'ACCÈS DU COMPARTIMENT DU BRÛLEUR EST BIEN EN PLACE AVANT DE TENTER DE REDÉMARRER LA FOURNAISE.**

Trois facteurs permettent à la fournaise d'offrir un rendement élevé. Premièrement, il n'y a pas de veilleuse inutile, alors la fournaise ne consomme pas de gaz entre les cycles. Deuxièmement, la fournaise est conçue pour laisser pénétrer un très faible surplus d'air dans le processus de combustion. De façon générale, les fournaises plus âgées comportaient des échangeurs de chaleur 40 % plus gros que nécessaire pour une combustion complète. Bien que cela prévenait la formation de monoxyde de carbone, l'excès d'air chauffé était expulsé par la cheminée; il ne pouvait donc pas chauffer l'intérieur de la maison. Des contrôles de sécurité spéciaux préviennent maintenant la formation de monoxyde de carbone.

Le troisième facteur est la récupération de la chaleur latente contenue dans les gaz de combustion, lesquels sont composés de vapeur d'eau et de dioxyde de carbone. En condensant les gaz de combustion dans la bobine de récupération de la fournaise, la chaleur qui serait autrement perdue à l'extérieur est capturée et redirigée dans le système de conduits, où elle contribue au confort de la maison. Chaque livre de condensation formée libère environ 970 BTU. Votre fournaise peut condenser jusqu'à ½ gallon (5 livres) (1,89 L) (2,27 kg) d'eau par heure si elle fonctionne continuellement.

Cette condensation doit être évacuée de façon appropriée, dans un puisard ou un système de drainage. Les conduits de condensation doivent demeurer propres et permettre un écoulement libre. Ne laissez pas les conduits de drainage en plastique se plier ou se déformer. Un conduit de drainage bloqué peut provoquer un fonctionnement irrégulier de la fournaise, ou un non-fonctionnement.

**IMPORTANT :**

**Votre fournaise doit être nettoyée et inspectée annuellement par un technicien de service formé et qualifié. Votre technicien de service possède les connaissances et l'équipement pour déterminer la condition de votre fournaise.**

H27.6.2



## 19.5 CODES DE DIAGNOSTIC DE LA DEL D'ÉTAT

DEL D'ÉTAT	DÉFECTUOSITÉ
<b>La LED rouge (AN1) indique la suite de codes :</b>	
DEL ÉTEINTE	Pas d'alimentation électrique au contrôle, ou défaillance du matériel de contrôle détectée
DEL ALLUMÉE	Fonctionnement normal
1 clignotement	Interrupteur de limite supérieure ouvert
2 clignotements	Pressostat ouvert avec inducteur sur
3 clignotements	Pressostat bouché avec inducteur
4 clignotements	Verrouillage d'une durée d'une heure
5 clignotements	Problème de polarité L1/neutre
6 clignotements	Trop de dépassements de limite dans un même appel de chauffage
7 clignotements	Verrouillage du cycle de l'interrupteur de pression
8 clignotements	Verrouillage causé par un trop grand nombre de pertes de flamme
9 clignotements	Non utilisé
10 clignotements	Présence de flamme avec soupape de gaz fermée

### **Une DEL vert (AN2) est fournie pour indiquer un état de chaleur élevée.**

DEL éteinte	Pas de demande de chaleur élevée
DEL allumée	Demande de chaleur élevée, fonctionnement normal
Clignotement de la DEL	Demande de chaleur élevée, interrupteur de haute pression non fermé

H23.4.2B

## 19.6 HISTORIQUE DES CODES DE DÉFAILLANCE

Le contrôle garde en mémoire les cinq derniers codes de défaillance. Lorsque l'interrupteur est enfoncé puis relâché, le contrôle fera clignoter les codes de défaillance enregistrés. Le code de défaillance le plus récent apparaîtra en premier, tandis que le plus ancien apparaîtra en dernier.

L'historique des défaillances peut être supprimé en maintenant l'interrupteur enfoncé pendant plus de cinq secondes.

H23.5

## 19.7 SYSTÈME D'ÉCLAIRAGE INTERNE

Cette série est munie d'un système d'éclairage interne à DEL pour le service. L'un des dispositifs est situé dans le brûleur supérieur et l'autre dans le brûleur inférieur. Ces lumières s'allument uniquement lorsque la porte inférieure est retirée et que l'interrupteur de porte est désactivé. Ce système d'éclairage interne a pour but de faciliter l'entretien de l'appareil.

H23.6.1A

## 19.8 REMPLACEMENT DE L'AMPOULE UV

Cet fournaise est équipé avec un ensemble de purification à lampe ultraviolette sur le côté droit de l'échangeur de chaleur. Il aide aussi à dégager la moisissure et les germes dans le serpentin en « A » de votre système de climatisation, ce qui en accroît l'efficacité tout en réduisant la consommation d'électricité.

La durée de vie des ampoules fournies est d'environ 9 000 heures (environ un an avec le fonctionnement continu du ventilateur). Afin de maintenir son efficacité, l'ampoule doit être remplacée à des intervalles appropriés. Pour ce faire, suivez les directives suivantes :

1. Coupez l'alimentation électrique à la fournaise.
2. Enlevez la porte inférieure de la fournaise.
3. À l'aide d'une douille de 1/4", enlevez la vis de montage qui retient la lampe au compartiment de la soufflerie. L'unité qui comprend l'ampoule peut alors être retirée de la fournaise. Lors de cette opération, faites attention de ne pas briser l'ampoule.



FIGURE 23

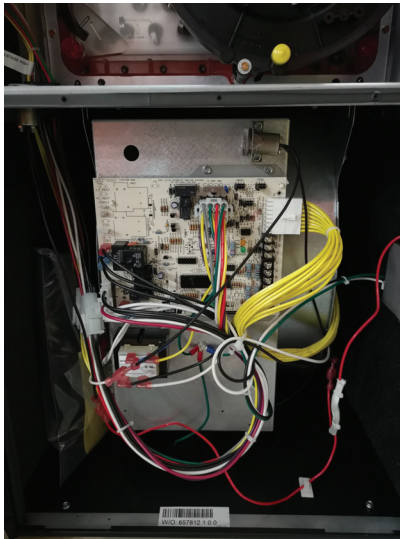
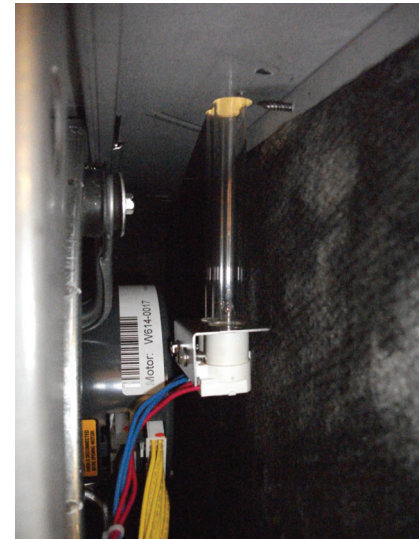


FIGURE 24



FIGURE 25



4. À l'aide d'une douille de 5/16", enlevez les deux vis qui se trouvent sur le côté du support de l'ampoule. Le support est maintenant dégagé, ce qui vous permet d'enlever l'ampoule.

FIGURE 26

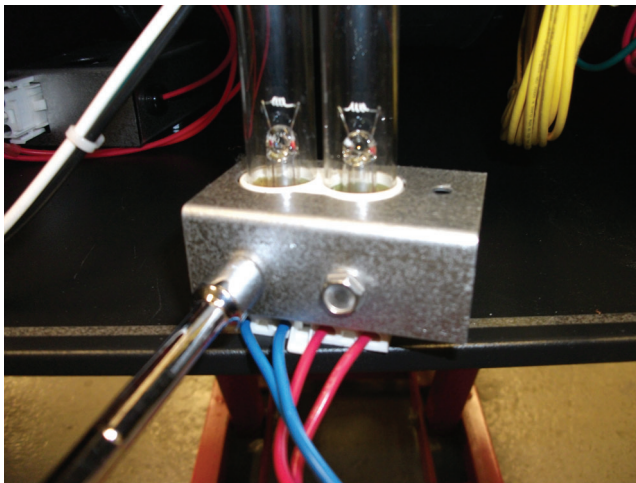
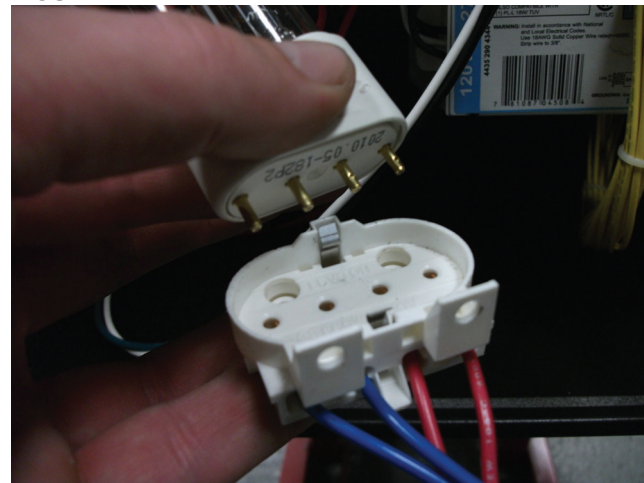


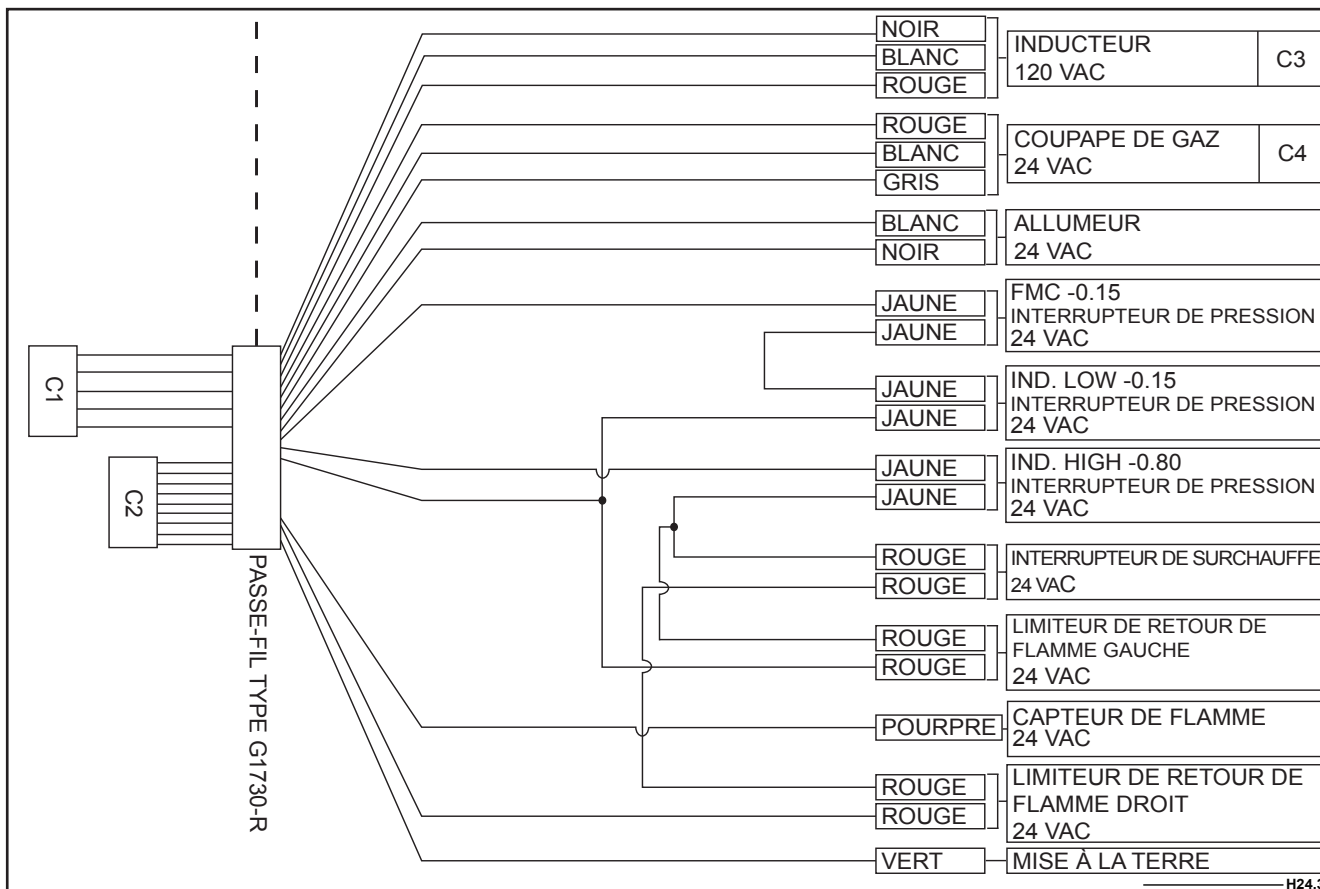
FIGURE 27



5. Insérez une ampoule neuve et réinstallez le tout en faisant le processus inverse.

H23.7.3

# 20.0 SCHÉMA DE CÂBLAGE POUR UNE FOURNAISE À DEUX ÉTAPES

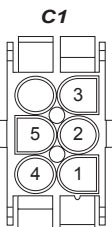


H24.3

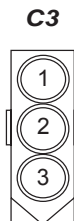
**C1**  
VUE DU BOÎTIER C1 DU CÔTÉ OPPOSÉ DE L'EXTREMITÉ D'INSERTION DU FIL

BOÎTIER EN PLASTIQUE À 6 BROCHES  
CONNECTEUR AMP 1-480705-0  
BORNE DE CONTACT MÉTALLIQUE  
BROCHE MÂLE  
CONNECTEUR AMP 350218-1  
5 REQUIS

POSITION	COLEUR	NUMÉRO DE FIL
1	NOIR	1
2	BLANC	2
3	ROUGE	3
4	NOIR	4
5	BLANC	5
6	VIDE	



H24.6



	POSITION	COLEUR	NUMÉRO DE FIL
ÉLEVÉ	1	NOIR	1
COMMUN	2	BLANC	2
FAIBLE	3	ROUGE	3

**C3**  
VUE DU BOÎTIER C3 DU CÔTÉ OPPOSÉ DE L'EXTREMITÉ D'INSERTION DU FIL

BOÎTIER EN PLASTIQUE À 3 BROCHES  
CONNECTEUR AMP 440070-1  
BORNE DE CONTACT MÉTALLIQUE  
DOUILLE FEMELLE  
CONNECTEUR AMP 350415-1  
3 REQUIS

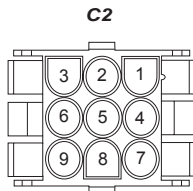
POSITION	COLEUR	NUMÉRO DE FIL
1	NOIR	1
2	BLANC	2
3	ROUGE	3

H24.8

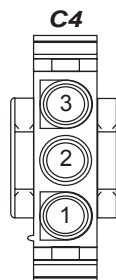
**C2**  
VUE DU BOÎTIER C2 DU CÔTÉ OPPOSÉ DE L'EXTREMITÉ D'INSERTION DU FIL

BOÎTIER EN PLASTIQUE À 9 BROCHES  
CONNECTEUR AMP 1-480707-0  
BORNE DE CONTACT MÉTALLIQUE  
BROCHE MÂLE  
CONNECTEUR AMP 350218-1  
9 REQUIS

POSITION	COLEUR	NUMÉRO DE FIL
1	GRIS	6
2	JAUNE	7
3	JAUNE	8
4	ROUGE	9
5	ROUGE	10
6	ROUGE	11
7	BLANC	12
8	VERT	13
9	VIOLET	14



H24.7



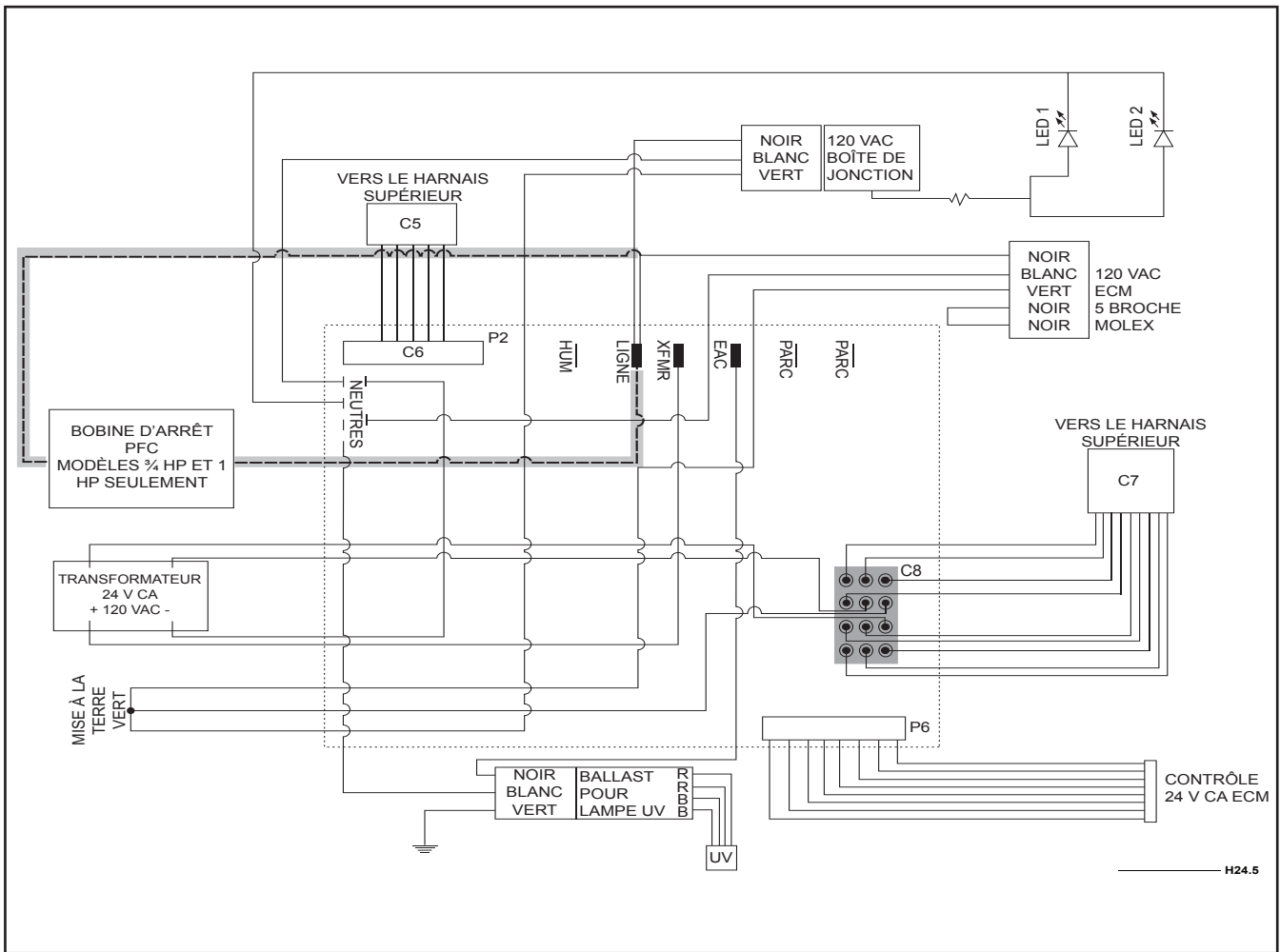
	POSITION	COLEUR	NUMÉRO DE FIL
FAIBLE	1	ROUGE	9
COMMUN	2	BLANC	12
ÉLEVÉ	3	GRIS	6

**C4**  
VUE DU BOÎTIER C4 DU CÔTÉ OPPOSÉ DE L'EXTREMITÉ D'INSERTION DU FIL

BOÎTIER EN PLASTIQUE À 3 BROCHES  
CONNECTEUR AMP 480700  
BORNE DE CONTACT MÉTALLIQUE  
DOUILLE FEMELLE  
CONNECTEUR AMP 350536-1  
3 REQUIS

POSITION	COLEUR	NUMÉRO DE FIL
1	ROUGE	9
2	BLANC	12
3	GRIS	6

H24.9

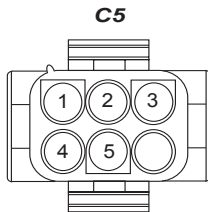


H24.5

**C5**  
VUE DU BOÎTIER C5 DU CÔTÉ OPPOSÉ DE L'EXTREMITÉ D'INSERTION DU FIL

BOÎTIER EN PLASTIQUE À 6 BROCHES  
CONNECTEUR AMP 1-480704-0  
BORNE DE CONTACT MÉTALLIQUE  
DOUILLE FEMELLE  
CONNECTEUR AMP 350536-1  
5 REQUIS

POSITION	COLEUR	NUMÉRO DE FIL
1	NOIR	1
2	BLANC	2
3	ROUGE	3
4	NOIR	4
5	BLANC	5
6	VIDE	

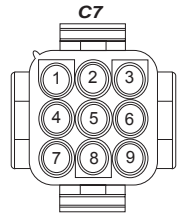


H24.10

**C7**  
VUE DU BOÎTIER C7 DU CÔTÉ OPPOSÉ DE L'EXTREMITÉ D'INSERTION DU FIL

BOÎTIER EN PLASTIQUE À 9 BROCHES  
CONNECTEUR AMP 1-480707-0  
BORNE DE CONTACT MÉTALLIQUE  
DOUILLE FEMELLE  
CONNECTEUR AMP 350536-1  
9 REQUIS

POSITION	COLEUR	NUMÉRO DE FIL
1	GRIS	6
2	JAUNE	7
3	JAUNE	8
4	ROUGE	9
5	ROUGE	10
6	ROUGE	11
7	BLANC	12
8	VERT	13
9	VIOLET	14

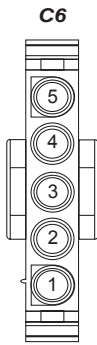


H24.12

**C6**  
VUE DU BOÎTIER C6 DU CÔTÉ OPPOSÉ DE L'EXTREMITÉ D'INSERTION DU FIL

BOÎTIER EN PLASTIQUE À 6 BROCHES  
CONNECTEUR AMP 350809-1  
BORNE DE CONTACT MÉTALLIQUE  
DOUILLE FEMELLE  
CONNECTEUR AMP 350536-1  
5 REQUIS

POSITION	COLEUR	NUMÉRO DE FIL
1	NOIR	4
2	NOIR	1
3	ROUGE	3
4	BLANC	2
5	BLANC	5

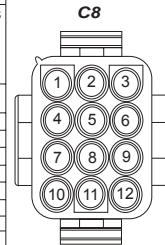


H24.11

**C8**  
VUE DU BOÎTIER C8 DU CÔTÉ OPPOSÉ DE L'EXTREMITÉ D'INSERTION DU FIL

BOÎTIER EN PLASTIQUE À 12 BROCHES  
CONNECTEUR AMP 1-480708-0  
BORNE DE CONTACT MÉTALLIQUE  
DOUILLE FEMELLE  
CONNECTEUR AMP 350536-1  
12 REQUIS

POSITION	COLEUR	NUMÉRO DE FIL
1	GRIS	6
2	JAUNE	8
3	VIOLET	14
4	VERT	15
5	JAUNE	16
6	ROUGE	10
7	ROUGE	9
8	BLANC	12
9	JAUNE	17
10	VERT	13
11	ROUGE	11
12	JAUNE	7



H24.12

## 21.0 GARANTIE

Les produits NAPOLÉON sont conçus avec des composants et des matériaux de qualité supérieure, assemblés par des artisans qualifiés qui sont fiers de leur travail. Une fois assemblé, chaque appareil est soigneusement inspecté de nouveau par un technicien qualifié avant d'être emballé pour garantir que vous, le client, recevez le produit de qualité dont vous vous attendez de Napoléon.

### GARANTIE À VIE LIMITÉE DU PRÉSIDENT DE LA FOURNAISE À GAZ NAPOLÉON

Wolf Steel Itée (« Napoléon ») garantit que cet appareil de chauffage est exempt de défaut de fabrication et de main-d'oeuvre à condition qu'il soit utilisé et entretenu adéquatement.

#### GARANTIE LIMITÉE DU PRÉSIDENT (enregistrée)

L'ÉCHANGEUR DE CHALEUR\* est garanti au propriétaire initial enregistré et à son ou sa conjoint(e) (« propriétaire ») pendant toute la DURÉE DE VIE du propriétaire ou tant que le propriétaire possède la maison dans laquelle l'appareil a été originalement installé. **Tous les autres composants** sont garantis pour **10 ANS**, sous réserve des conditions ci-dessous. Ces garanties sont applicables uniquement si :

- L'appareil est installé dans une résidence unifamiliale principale habitée par le propriétaire, et
- Si l'appareil est enregistré adéquatement en ligne auprès de Napoléon dans les soixante (60) jours suivant l'installation originale. Pour procéder à l'enregistrement, rendez-vous à [www.napoleonheatingandcooling.com](http://www.napoleonheatingandcooling.com). Certains États ou provinces n'autorisent pas de limitations sur la durée d'une garantie limitée implicite ni n'autorisent l'exclusion ou la limitation de dommages accessoires ou consécutifs. Par conséquent, vous n'êtes peut-être pas concerné par la limitation ou l'exclusion décrite ci-dessus. Cette garantie vous donne des droits légaux précis, et vous pourriez avoir d'autres droits, lesquels varient d'une juridiction à l'autre.

Concernant l'échangeur de chaleur, si ce dernier fait défaut durant :

- les 10 premières années pour les séries 9500 / 9600
- les 15 premières années pour la série 9700

Napoléon fournira, à sa discrétion, une fournaise à gaz équivalente neuve. Après 10 ans (15 ans pour la série 9700), Napoléon peut décider d'offrir un crédit équivalent à la valeur de gros proportionnelle, lequel sera applicable à l'achat d'une fournaise Napoléon neuve.

OU

#### GARANTIE LIMITÉE (non enregistrée)

Si la garantie n'est pas enregistrée dans les soixante (60) jours, l'échangeur de chaleur sera garanti pendant 20 ANS (proportionnel) et tous les autres composants seront garantis pendant 5 ANS, toutes les autres limitations étant applicables.

Concernant l'échangeur de chaleur, après cinq (5) ans, Napoléon peut, à sa discrétion, décider d'offrir un crédit qui s'appliquera à l'achat d'une nouvelle fournaise à gaz Napoléon.

Une preuve d'achat sera exigée. Un représentant de Napoléon procédera à la révision et à la vérification de tout remplacement.

La garantie prend fin dès que l'appareil est enlevé de l'endroit où il a été originalement installé.

Cette garantie limitée s'appliquera uniquement si la fournaise à gaz est : (1) installée par un technicien en CVC certifié ou qualifié, (2) installée conformément aux recommandations du fabricant décrites dans le manuel des Instructions d'installation et d'opération, et (3) installée conformément à toutes les normes de l'industrie nationales, provinciales et d'État, ainsi qu'aux codes locaux. La période de garantie commencera à la date de l'installation originale, indépendamment du moment de l'enregistrement. Lorsqu'un produit est installé dans une maison nouvellement construite, la date de l'installation correspond à la date à laquelle le propriétaire de la maison en prend possession du constructeur. Si cette date ne peut être confirmée, la période de garantie commence trois mois après le mois de fabrication de l'appareil (comme indiqué par les quatre premiers chiffres du numéro de série).

Comme unique responsabilité, et votre unique recours, Napoléon fournira une pièce de rechange, sans frais uniquement pour cette pièce, afin de remplacer

toute pièce déclarée défectueuse en raison de la main-d'oeuvre ou de la fabrication, à condition que l'appareil ait été opéré et entretenu adéquatement. Afin d'effectuer une réclamation, la pièce défectueuse doit être retournée, par un entrepreneur certifié ou autorisé, à un distributeur ou à un détaillant de produits de chauffage et de climatisation Napoléon. Toute pièce remplacée conformément à cette garantie est seulement garantie pour la durée restante de la couverture de la garantie applicable à la pièce d'origine.

Ces garanties ne couvrent pas les coûts de main-d'oeuvre, de transport ou tout autre coût associé au service, à la réparation ou à l'opération de l'appareil. Elles ne couvrent pas non plus les coûts de diagnostic.

Napoléon n'est pas responsable :

1. Des coûts et dépenses résultant d'une installation défectueuse ou d'une utilisation négligente.
2. Des dommages ou réparations résultant d'une installation défectueuse ou d'une utilisation négligente.
3. Des dommages, défauts ou défaillances engendrés par une installation non conforme à tous les règlements ou lois fédéraux, provinciaux ou de l'État applicables, ainsi qu'aux directives du manuel des Instructions d'installation et d'opération.
4. Des dommages pouvant résulter du transport, d'actes de vandalisme, d'accidents, ou encore d'inondations, incendies, vents, foudre ou de l'action des éléments de la nature. Des environnements contaminés par des composés de chlore, des hydrocarbures halogénés ou d'autres produits chimiques dommageables pouvant causer la détérioration de composants, ou d'autres conditions hors du contrôle de Napoléon.
5. En cas d'utilisation de composants ou d'accessoires non compatibles avec cet appareil.
6. Des produits installés à l'extérieur du Canada, ou des États-Unis et de ses territoires.
7. De l'entretien régulier incluant, mais sans s'y limiter, le nettoyage des serpentins, le nettoyage et/ou le remplacement des filtres et la lubrification.
8. Des composants non fournis par Napoléon.
9. If unit is equipped with an ultraviolet bulb, the bulb is warranted for 90 days from date to install.
10. Des dommages ou des réparations nécessaires résultant d'une utilisation, d'un entretien, d'une opération, d'un nettoyage, d'un remplacement de filtres à air ou de réparations inappropriés.
11. D'un fonctionnement défectueux causé par une interruption de courant et/ou une alimentation électrique inadéquate.
12. Des dommages, défauts ou défaillances causés par des accidents ou de la négligence, ou par une utilisation ou une opération excessive de l'appareil et de ses composants incluant, mais sans s'y limiter, une opération au-delà du rendement prévu et une opération de composants électriques à une tension différente de celle précisée sur la plaque d'homologation.
13. En aucun cas, Napoléon n'élargira la couverture de la garantie aux dommages accessoires, consécutifs ou indirects.
14. Des changements d'apparence de l'appareil qui ne nuisent pas à son rendement.
15. Des dommages, défauts ou défaillances causés par l'opération de l'appareil dans des conditions environnementales anormales (par ex. l'air salin).
16. Des dommages, défauts ou défaillances causés par l'alimentation de la fournaise avec une proportion de plus de 20 % d'air conditionné (air de retour) provenant de l'extérieur (température de l'air de retour de 13°C/55°F).
17. Des dommages, défauts ou défaillances causés par l'installation de la fournaise en aval du serpentin de refroidissement.

\* Par « échangeur de chaleur », nous entendons l'échangeur de chaleur de combustion primaire pour la fournaise à gaz et l'échangeur de chaleur secondaire ou tertiaire. Le collecteur de condensat avant en plastique fixé à l'échangeur de chaleur secondaire et tertiaire n'est pas considéré comme un composant de l'échangeur de chaleur.

**PROPRIÉTAIRE : POUR CONSULTATION ULTÉRIEURE**

Modèle et no de série \_\_\_\_\_  
(No série inscrit à l'intérieur de la porte inférieure)  
Date d'installation \_\_\_\_\_

Nom du détaillant \_\_\_\_\_

Détaillant (Ville/Province/État/Code postal) \_\_\_\_\_

Tél. / Téléc. \_\_\_\_\_

Courriel \_\_\_\_\_

Pour en savoir plus au sujet de cette garantie, contactez le département de clients solutions Napoléon au 866-820-8686, par courriel à [hvac@napoleonproducts.com](mailto:hvac@napoleonproducts.com) ou par courrier à WOLF STEEL LTÉE, 24 Napoleon Road, Barrie, Ontario L4M 0G8 Canada

[www.napoleonheatingandcooling.com](http://www.napoleonheatingandcooling.com)



11.01.16EF

H2.3H

## 22.0 LISTE DES PIÈCES DE RECHANGE

Contactez votre détaillant ou le fabricant pour les questions concernant les prix et la disponibilité des pièces de rechange. Normalement, toutes les pièces peuvent être commandées chez votre détaillant autorisé.  
**POUR UN REMPLACEMENT DE PIÈCE SOUS GARANTIE, UNE PHOTOCOPIE DE LA FACTURE ORIGINALE SERA REQUISE AFIN DE POUVOIR HONORER LA DEMANDE.**

Lorsque vous commandez des pièces, donnez toujours l'information suivante :

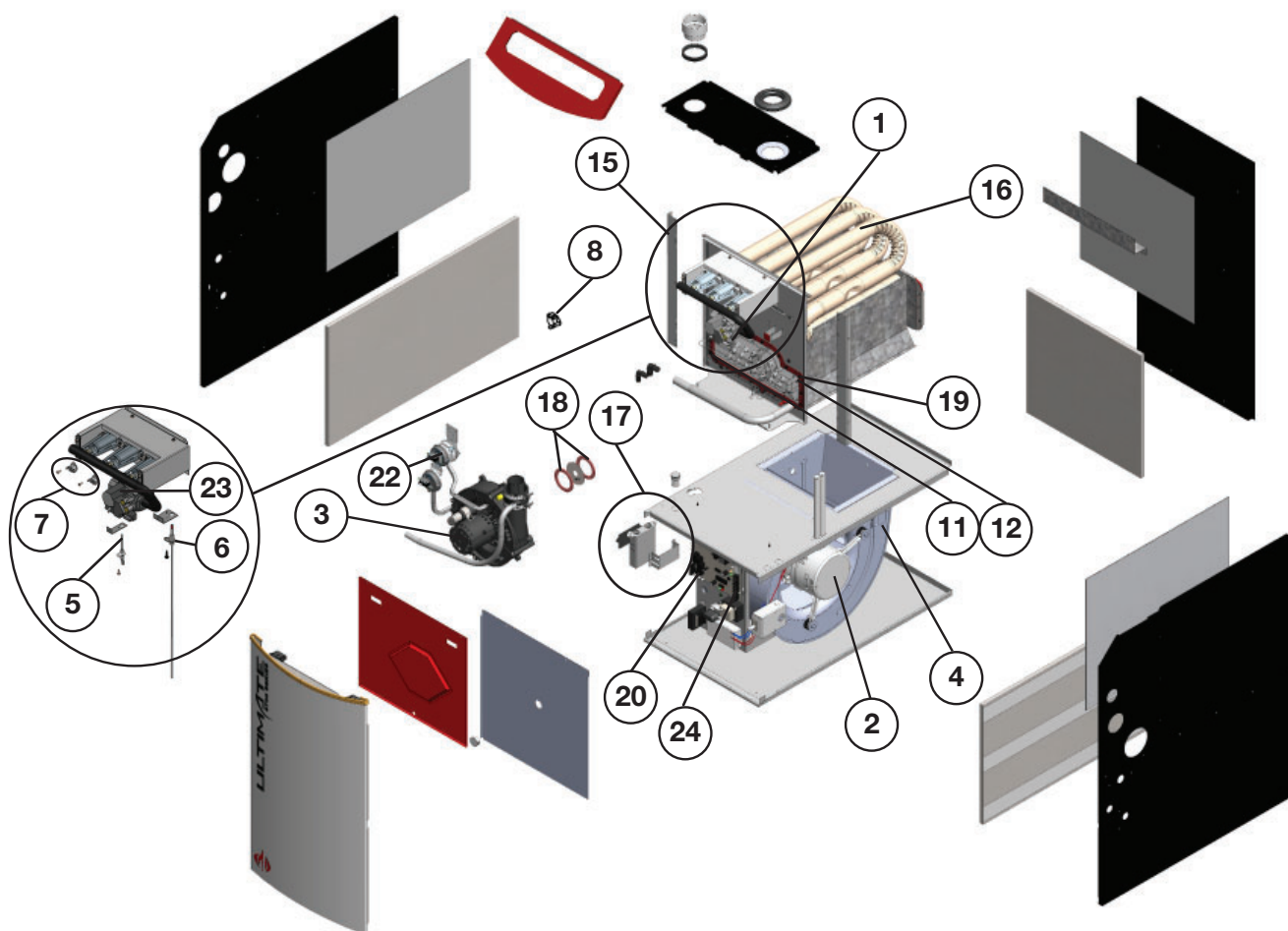
- Modèle et numéro de série de l'appareil
- Date d'installation de l'appareil
- Numéro de la pièce
- Description de la pièce
- Fini



### **AVERTISSEMENT**

**OMETTRE DE POSITIONNER LES PIÈCES CONFORMÉMENT AU MANUEL OU D'UTILISER UNIQUEMENT DES PIÈCES SPÉCIFIQUEMENT APPROUVÉES POUR CET APPAREIL PEUT CAUSER DES DOMMAGES MATÉRIELS OU DES BLESSURES CORPORELLES.**

H41.1



Ces articles peuvent différer de celle illustrés.

No. de réf.	No. de pièce	Description	En stock	No. de réf.	No. de pièce	Description	En stock
1	W010-3494	PETIT COUVERCLE DU COLLECTEUR AVANT AVEC JOINTS D'ÉTANCHÉITÉ 40/60/80	OUI	14*	W370-0031	ENSEMBLE, CONVERSION PL À GN	
1	W010-3495	GRAND COUVERCLE DU COLLECTEUR AVANT AVEC JOINTS D'ÉTANCHÉITÉ 100/120	OUI	15	W100-0250-SER	BOÎTIER DU BRÛLEUR 40K 2STG	OUI
2	W010-4673	ASSEMBLAGE DE MOTEUR 1/3 HP CC 40	OUI	15	W100-0249-SER	BOÎTIER DU BRÛLEUR 60K 2STG	OUI
2	W010-4664	ASSEMBLAGE DE MOTEUR 1/2 HP CC 60	OUI	15	W100-0251-SER	BOÎTIER DU BRÛLEUR 80K 2STG	OUI
2	W010-4665	ASSEMBLAGE DE MOTEUR 1/2 HP CC 80-3	OUI	15	W100-0254-SER	BOÎTIER DU BRÛLEUR 100K 2STG	OUI
2	W010-4674	ASSEMBLAGE DE MOTEUR 1 HP CC 80-4	OUI	15	W100-0255-SER	BOÎTIER DU BRÛLEUR 120K 2STG	OUI
2	W010-4666	ASSEMBLAGE DE MOTEUR 1HP CC 100	OUI	16	W010-4783	ASSEMBLAGE D'ÉCHANGEUR DU CHALEUR, 40K	
2	W010-4675	ASSEMBLAGE DE MOTEUR 1 HP CC 120	OUI	16	W010-4563	ASSEMBLAGE D'ÉCHANGEUR DU CHALEUR, 60K	OUI
3	W062-0080-SER	VENTILATEUR D'ÉVACUATION (COL MONTANT)	OUI	16	W010-4564	ASSEMBLAGE D'ÉCHANGEUR DU CHALEUR, 80K	OUI
4	W062-0079-SER	BOÎTIER DE SOUFFLERIE 112-8T	OUI	16	W010-4648	ASSEMBLAGE D'ÉCHANGEUR DU CHALEUR, 100K	OUI
4	W062-0082-SER	BOÎTIER DE SOUFFLERIE 112-6T	OUI	16	W010-4677	ASSEMBLAGE D'ÉCHANGEUR DU CHALEUR, 120K	OUI
4	W062-0083-SER	BOÎTIER DE SOUFFLERIE 112-10T	OUI	17	W010-2768	ASSEMBLAGE DU PURGEUR DU CONDENSAT	OUI
5*	W010-2562	CAPTEUR DE FLAMME - RECHANGE	OUI	18	W290-0385-SER	JOINT RESTRICTEUR, SILICONE ROUGE LISSE	OUI
6*	W357-0019-SER	ALLUMEUR, KYOCERA - RECHANGE	OUI	19	W290-0156	JOINT PETITE, COLLECTEUR AVANT	
7*	W010-2568	INTERRUPTEUR DU BRÛLEUR, RECHANGE, 350 °F	OUI	19	W290-0158	JOINT GRANDE, COLLECTEUR AVANT	OUI
8	W010-2992	ASSEMBLAGE, LIMITEUR DE CHALEUR 160		20	W010-2561	COMMANDE INTÉGRÉE ECM	OUI
8	W010-2993	ASSEMBLAGE, LIMITEUR DE CHALEUR 170		21*	W010-2563	FUSIBLE 5 A	OUI
8	W010-2994	ASSEMBLAGE, LIMITEUR DE CHALEUR 180	OUI	22	W010-2569	INTERRUPTEUR, UNITÉ DE PRESSION TRIPLE	OUI
9	W707-0031-SER	TRANSFORMATEUR, 120 V / 24 V 40 VA	OUI	23*	W010-2573	SOUPAPE À DEUX ÉTAPES	OUI
10*	W470-0024	PEINTURE DE RETOUCHE, ROUGE	OUI	24	W010-2571	TRANSFORMATEUR, BOBINE D'ARRÊT	OUI
11	W120-0075-SER	CAPUCHON PRISE DE PRESSION, ROUGE		25	W010-2757	INTERRUPTEUR DE PORTE DE SOUFFLERIE 3 BRANCHES SDPT	OUI
12	W120-0076-SER	CAPUCHON PRISE DE DRAIN FMC, ROUGE		26	W010-2784	SYSTÈME D'ÉCLAIRAGE DEL POUR CABINET	OUI
13*	W020-0647	SAC DE PIÈCES DE RECHANGE	OUI	27	W010-3597	ENSEMBLE, RECHANGE DEL BLANC	OUI
14*	W370-0018	ENSEMBLE, CONVERSION GN À PL	OUI	28	W010-2785	ENSEMBLE, PURIFICATION DE LA LUMIÈRE UV	OUI
				29	W010-2810	ENSEMBLE D'AMPOULE UV DE RECHANGE	OUI





**INSTALLATEUR:** AVANT DE COMMENCER L'INSTALLATION, VEUILLEZ VOUS FAMILIARISER AVEC LES SECTIONS D'ÉVACUATION/DRAINAGE DE CE MANUEL. LAISSEZ CE MANUEL AVEC L'APPAREIL POUR CONSULTATION ULTÉRIEURE.

**PROPRIÉTAIRE:** CONSERVEZ CE MANUEL POUR CONSULTATION ULTÉRIEURE.



## MANUEL D'INFORMATION DU PROPRIÉTAIRE

MU

### SÉRIES WUV-N FOURNAISE À GAZ À AIR PULSÉ HAUTE EFFICACITÉ (CONDENSATION), À DEUX ÉTAPES

#### CONSIGNES DE SÉCURITÉ

#### **AVERTISSEMENT**

#### RISQUE DE CHOC ÉLECTRIQUE, D'INCENDIE OU D'EXPLOSION

Si les consignes de sécurité ne sont pas suivies à la lettre, cela peut causer des blessures graves, des pertes de vies ou des dommages matériels.

Un entretien inadéquat pourrait occasionner un fonctionnement dangereux, des blessures graves, des pertes de vies ou des dommages matériels.

- L'installation et l'entretien doivent être faits par un installateur qualifié, une agence d'entretien ou le fournisseur de gaz.
- Avant d'effectuer l'entretien, débranchez l'alimentation électrique de l'appareil.
- Lors de l'entretien des contrôles, étiquetez tous les fils avant de les débrancher. Rebranchez-les correctement.
- Vérifiez le bon fonctionnement après l'entretien.
- N'entreposez pas et n'utilisez pas d'essence ou d'autres liquides et vapeurs inflammables à proximité de cet appareil ou de tout autre appareil.
- **QUE FAIRE SI VOUS DÉTECTEZ UN ODEUR DE GAZ:**
  - N'allumez aucun appareil.
  - Ne touchez à aucun interrupteur électrique; n'utilisez aucun téléphone dans votre immeuble.
  - Quittez l'immeuble immédiatement.
  - Appelez immédiatement votre fournisseur de gaz d'un téléphone voisin. Suivez ses instructions.
  - Si vous ne pouvez pas rejoindre votre fournisseur de gaz, appelez le service d'incendie.



Brévet déposé

LE FABRICANT SE RÉSERVE LE DROIT DE DISCONTINUER OU DE MODIFIER LES SPÉCIFICATIONS OU LES CONCEPTIONS EN TOUT TEMPS SANS PRÉAVIS ET SANS AUTRE OBLIGATION DE SA PART.

Wolf Steel Ltée., 24 Napoleon Rd., Barrie, ON, L4M 0G8 Canada /  
103 Miller Drive, Crittenden, Kentucky, É.-U., 41030  
Téléphone (705)721-1212 • Télécopieur (705)722-6031 • [www.napoleon.com](http://www.napoleon.com) • [hvac@napoleon.com](mailto:hvac@napoleon.com)

H1.53A

# TABLE DES MATIÈRES

<b>1.0</b>	<b>SYMBOLES DE SÉCURITÉ ET AVERTISSEMENTS</b>	<b>147</b>
<b>2.0</b>	<b>INFORMATION SUR LA SÉCURITÉ</b>	<b>148</b>
2.1	RÈGLES DE SÉCURITÉ GÉNÉRALES	150
<b>3.0</b>	<b>INFORMATION SUR LE FONCTIONNEMENT DE LA FOURNAISE</b>	<b>152</b>
3.1	POUR DÉMARRER LA FOURNAISE	152
3.2	PROCÉDURE D'ARRÊT DE LA FOURNAISE	153
3.3	TRUCS DE FONCTIONNEMENT	153
<b>4.0</b>	<b>ENTRETIEN PÉRIODIQUE PAR LE PROPRIÉTAIRE</b>	<b>154</b>
4.1	FILTRE À AIR	154
4.2	INSPECTION PÉRIODIQUE	154
4.3	INSPECTION ET ENTRETIEN ANNUELS	155
4.4	APPARENCE DE LA FOURNAISE	155
4.5	SÉQUENCE DE FONCTIONNEMENT - ECM EON	156
4.6	VARIATIONS	156
4.7	TRUCS DE FONCTIONNEMENT	156
<b>5.0</b>	<b>RÉFÉRENCE POUR LE PROPRIÉTAIRE</b>	<b>157</b>
<b>6.0</b>	<b>NOTES</b>	<b>158</b>

**IMPORTANT :**

LISEZ CES INSTRUCTIONS ATTENTIVEMENT AVANT DE FAIRE FONCTIONNER CETTE FOURNAISE.

**IMPORTANT :**

VEUILLEZ LIRE CE MANUEL ATTENTIVEMENT ET LE GARDER DANS UN ENDROIT SÉCURITAIRE POUR QU'UN TECHNICIEN DE SERVICE PUISSE LE CONSULTER ULTÉRIEUREMENT.

**ATTENTION :**

POUR ENLEVER LA PORTE EXTÉRIEURE EN ACIER INOXYDABLE, SAISISSEZ SOLIDEMENT LES CÔTÉS DE LA PORTE ET TIREZ.

POUR LA RÉINSTALLER, ALIGNEZ LA PORTE ET PUSSEZ-LA EN PLACE.

H1.21.1A

## 1.0 SYMBOLES DE SÉCURITÉ ET AVERTISSEMENTS

Assurez-vous de comprendre et de porter une attention particulière aux mots DANGER, AVERTISSEMENT et ATTENTION, ainsi qu'aux symboles définis suivants. Ils sont utilisés tout au long de ce manuel pour aviser le lecteur de dangers potentiels de niveaux de risques variés.

### ⚠ DANGER ⚠

INDIQUE UNE SITUATION DANGEREUSE IMMINENTE QUI, SI ELLE N'EST PAS ÉVITÉE, CAUSERA LA MORT OU DES BLESSURES GRAVES.

### ⚠ AVERTISSEMENT ⚠

INDIQUE UNE SITUATION POTENTIELLEMENT DANGEREUSE QUI, SI ELLE N'EST PAS ÉVITÉE, POURRAIT CAUSER LA MORT OU DES BLESSURES GRAVES.

### ⚠ ATTENTION ⚠

INDIQUE UNE SITUATION POTENTIELLEMENT DANGEREUSE QUI, SI ELLE N'EST PAS ÉVITÉE, POURRAIT CAUSER DES BLESSURES MINEURES OU MODÉRÉES. PEUT AUSSI ÊTRE UTILISÉ POUR METTRE EN GARDE CONTRE DES PRATIQUES NON SÉCURITAIRES.

H3.3.1

### ⚠ AVERTISSEMENT ⚠

EN CAS DE SURCHAUFFE OU SI LES BRÛLEURS DE GAZ NE SE FERMENT PLUS, FERMEZ LA SOUPE DE GAZ MANUELLE DE LA FOURNAISE AVANT DE COUPER L'ALIMENTATION ÉLECTRIQUE À LA FOURNAISE. SI CES INSTRUCTIONS NE SONT PAS SUIVIES À LA LETTRE, UN INCENDIE OU UNE EXPLOSION POURRAIENT S'ENSUIVRE, CAUSANT DES DOMMAGES MATÉRIELS, DES BLESSURES CORPORELLES OU DES PERTES DE VIE.

AVANT DE REDÉMARRER L'APPAREIL, VÉRIFIEZ SI LES ÉVÉNEMENTS DE PLASTIQUE ET LE CÂBLAGE SONT ENDOMMAGÉS.

H3.24

MU

## 2.0 INFORMATION SUR LA SÉCURITÉ

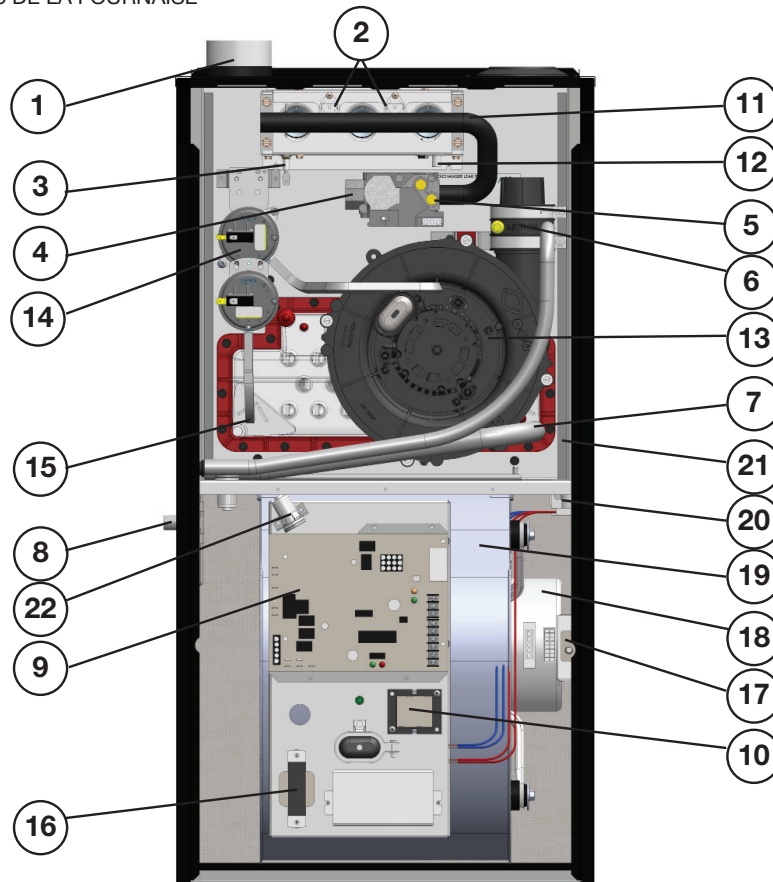
Cette fournaise a été conçue pour fonctionner pendant plusieurs années de façon efficace et fiable. Avec un entretien régulier, nécessitant parfois les services d'un installateur qualifié, d'une agence de service ou d'un fournisseur de gaz, la fournaise fonctionnera de façon satisfaisante pendant plusieurs saisons de chauffage.

Veillez lire ce manuel pour vous familiariser avec les procédures de sécurité, le fonctionnement et les procédures d'entretien périodique. La figure 1 est fournie pour vous aider à identifier les composants de votre fournaise.

N'utilisez pas cette fournaise si une partie quelconque a été submergée. Un appareil endommagé par l'eau est extrêmement dangereux. Tenter d'utiliser la fournaise peut provoquer un incendie ou une explosion. Vous devez communiquer avec une agence de service qualifiée pour inspecter la fournaise et pour remplacer tout contrôle de gaz, pièce du système de contrôle ou pièce électrique qui a été en contact avec l'eau, ou alors pour remplacer la fournaise, si cela est jugé nécessaire.

H25.0.1

FIGURE 1 - COMPOSANTS DE LA FOURNAISE



### LÉGENDE

- |   |   |
|---|---|
| 1. Raccord de prise d'air comburant                     | 13. Ventilateur d'évacuation à deux vitesses                                |
| 2. Limiteur de retour de flamme (2)                     | 14. Assemblage de l'interrupteur de pression                                |
| 3. Capteur de flamme - <i>situé en dessous</i>          | 15. Prise sous pression du couvercle du collecteur avant (3)                |
| 4. Soupape de gaz à deux étapes                         | 16. Bobine d'arrêt PFC (utilisée uniquement sur les appareils de ¾ et 1 HP) |
| 5. Interrupteur de surchauffe                           | 17. Interrupteur de porte et boîte de jonction                              |
| 6. Raccord des purges et événements (assemblage)        | 18. Moteur de la soufflerie   |
| 7. Drain de la bobine de récupération (3)               | 19. Soufflerie  |
| 8. Purgeur de condensat                                 | 20. Ballast pour lampe UV   |
| 9. Contrôle intégré de la fournaise à deux étapes (IFC) | 21. Ampoule pour lampe UV   |
| 10. Transformateur de 24 V CA / 40VA                    | 22. Voyant de défaillance à DEL   |
| 11. Assemblage du brûleur                               |   |
| 12. Allumeur de surface chaude (HSI)                    |   |

**⚠ AVERTISSEMENT ⚠**

**DANGER D'INCENDIE OU D'EXPLOSION - SI CES INSTRUCTIONS NE SONT PAS SUIVIES À LA LETTRE, UN INCENDIE OU UNE EXPLOSION POURRAIENT S'ENSUIVRE, CAUSANT DES DOMMAGES MATÉRIELS, DES BLESSURES CORPORELLES OU DES PERTES DE VIE.**

H3.26

**⚠ AVERTISSEMENT ⚠**

**N'ENTREPOSEZ PAS OU N'UTILISEZ PAS D'ESSENCE OU AUTRES LIQUIDES ET VAPEURS INFLAMMABLES, OU TOUT AUTRE MATÉRIAU COMBUSTIBLE, À PROXIMITÉ DE CET APPAREIL OU DE TOUT AUTRE APPAREIL.**

**QUE FAIRE SI VOUS DÉTECTEZ UNE ODEUR DE GAZ**

- **N'ALLUMEZ AUCUN APPAREIL.**
- **NE TOUCHEZ À AUCUN INTERRUPTEUR ÉLECTRIQUE; N'UTILISEZ AUCUN TÉLÉPHONE DANS VOTRE IMMEUBLE.**
- **APPELEZ IMMÉDIATEMENT VOTRE FOURNISSEUR DE GAZ D'UN TÉLÉPHONE VOISIN, OU AVEC UN CELLULAIRE EN VOUS TENANT LOIN DE L'IMMEUBLE, ET SUIVEZ SES INSTRUCTIONS.**
- **SI VOUS NE POUVEZ PAS JOINDRE VOTRE FOURNISSEUR DE GAZ, APPELEZ LE SERVICE DES INCENDIES.**
- **NE RÉINTÉGREZ PAS L'IMMEUBLE SANS AUTORISATION DU FOURNISSEUR DE GAZ OU DU SERVICE DES INCENDIES.**

**UNE INSTALLATION NON CONFORME, DES AJUSTEMENTS, DES MODIFICATIONS, UN SERVICE OU UN ENTRETIEN INADÉQUATS PEUVENT CAUSER DES DOMMAGES MATÉRIELS, DES BLESSURES CORPORELLES OU DES PERTES DE VIE. CONSULTEZ CE MANUEL.**

**L'INSTALLATION ET L'ENTRETIEN DOIVENT ÊTRE EFFECTUÉS PAR UN INSTALLATEUR QUALIFIÉ, UNE AGENCE DE SERVICE OU UN FOURNISSEUR DE GAZ.**

H3.27

**⚠ AVERTISSEMENT ⚠**

**UNE INSTALLATION NON CONFORME, DES AJUSTEMENTS, DES MODIFICATIONS, UN SERVICE OU UN ENTRETIEN INADÉQUATS PEUVENT CAUSER DES DOMMAGES MATÉRIELS, DES BLESSURES CORPORELLES OU DES PERTES DE VIE.**

**POUR OBTENIR DE L'AIDE OU DES RENSEIGNEMENTS SUPPLÉMENTAIRES, CONSULTEZ UN INSTALLATEUR QUALIFIÉ, UNE AGENCE DE SERVICE OU UN FOURNISSEUR DE GAZ.**

H3.4.1

**⚠ AVERTISSEMENT ⚠**

**LES DISPOSITIFS FIXÉS AU CONDUIT D'ÉVACUATION OU À LA PRISE D'AIR COMBURANT DANS LE BUT DE SURPASSER LES PERFORMANCES DÉCRITES DANS LE MANUEL D'INSTALLATION, Y COMPRIS LES SOUFFLERIES D'INDUCTION, N'ONT PAS ÉTÉ TESTÉS ET NE SONT PAS INCLUS DANS LA CERTIFICATION DE CETTE FOURNAISE.**

**LE FABRICANT NE PEUT SPÉCULER SUR LES EFFETS DE TELLES MODIFICATIONS ET NE SERA PAS RESPONSABLE DES BLESSURES OU DOMMAGES CAUSÉS PAR L'UTILISATION DE TELS DISPOSITIFS, ACCESSOIRES OU COMPOSANTS NON TESTÉS OU NON CERTIFIÉS.**

H3.28

W415-2304 / C / 09.22.20

La plupart des systèmes au gaz naturel et tous les systèmes au gaz propane possèdent un régulateur de service situé près du point où le tuyau de gaz entre dans l'immeuble.

Le réservoir de propane possède normalement un régulateur de première étape situé sur la soupape de sortie du réservoir. Tous ces régulateurs (situés à l'extérieur) possèdent un événement. (Figure 2)

Il est important que ces événements demeurent dégagés. Ne laissez pas l'humidité s'accumuler dans l'événement, elle risquerait de geler. Si vous constatez une telle accumulation d'humidité dans l'événement du régulateur, communiquez avec votre fournisseur de gaz.

H25.0.2

FIGURE 2 - ÉVÉNEMENT DU RÉGULATEUR DE GAZ

Événement du régulateur  
Enlevez la glace, la  
neige et les débris.



## ⚠ AVERTISSEMENT ⚠

**L'OBSTRUCTION DE L'ÉVÉNEMENT D'UN CYLINDRE DE PROPANE OU D'UN RÉGULATEUR DE RÉSERVOIR PEUT PROVOQUER UN INCENDIE OU UNE EXPLOSION, CAUSANT DES DOMMAGES MATÉRIELS, DES BLESSURES CORPORELLES GRAVES OU DES PERTES DE VIE.**

**VOTRE FOURNISSEUR DE GAZ DOIT INSPECTER ET NETTOYER PÉRIODIQUEMENT LE FILTRE DE L'ÉVÉNEMENT POUR PRÉVENIR TOUTE OBSTRUCTION. MAINTENEZ LE COUVERCLE DE PROTECTION DU RÉGULATEUR EN PLACE POUR PRÉVENIR L'ACCUMULATION DE GLACE ET LE BRIS DU RÉGULATEUR.**

H3.29

## 2.1 RÈGLES DE SÉCURITÉ GÉNÉRALES

1. Les matériaux combustibles ne doivent pas être entreposés à proximité de cette fournaise. Gardez la fournaise et ses environs propres et exempts de matériaux combustibles tels que journaux, chiffons, cartons, mousse, plastique, isolant en fibre de verre avec papier, vêtements, etc. Ceci est d'autant plus valable pour l'essence et les autres vapeurs et liquides inflammables.
2. Cette fournaise est certifiée selon les normes CSA, en tant que fournaise à évacuation directe ou indirecte de Catégorie IV. Elle a été conçue pour fonctionner avec un seul conduit (air comburant intérieur) ou avec deux conduits (air comburant extérieur). Pour un fonctionnement adéquat, une fournaise requiert un volume d'air comburant suffisant. Si la fournaise est pourvue d'un système à conduit unique, évitez de bloquer la terminaison de la prise d'air comburant ou les prises d'air acheminant l'air comburant dans la zone où est installée la fournaise. L'air comburant de votre fournaise pourrait provenir de beaucoup d'endroits, y compris du secteur chauffé (air intérieur), de l'extérieur, du grenier ou d'un endroit restreint. Si des rénovations sont effectuées, assurez-vous que les ouvertures d'air ne sont pas couvertes par inadvertance avec de l'isolant, un pare-vapeur ou tout autre matériau de construction similaire.
3. Toutes les portes et tous les panneaux doivent être en place lors du fonctionnement normal de la fournaise, sinon il pourrait y avoir formation de monoxyde de carbone.
4. Si la fournaise est installée dans un espace confiné ou si vous souhaitez construire une chaufferie d'immeuble dans un endroit où se trouve de l'isolant, soyez conscient que certains matériaux isolants sont combustibles. Ne laissez aucun matériau d'isolation entrer en contact avec la fournaise.
5. Tout ajout ou toute modification nécessaires afin que la fournaise satisfasse aux exigences doivent être faits par un installateur qualifié, une agence de service ou un fournisseur de gaz, à l'aide de pièces certifiées.

6. Familiarisez-vous avec l'emplacement de la soupape d'arrêt manuelle du gaz, de l'interrupteur de courant, du fusible ou du disjoncteur associés à la fournaise.
7. Ne laissez pas la neige, la glace ou les débris s'accumuler autour de la terminaison du conduit d'évacuation et de la prise d'air comburant. Le blocage de ces dispositifs peut entraîner un rendement inadéquat ou des arrêts nuisibles.
8. Familiarisez-vous avec l'emplacement des filtres de votre fournaise. Un filtre à air bloqué réduira l'efficacité, augmentera la consommation de combustible, élèvera la température de fonctionnement de la fournaise et réduira la durée de vie de ses composants.
9. Ne couvrez pas les grilles de retour d'air et les registres d'alimentation en air avec des draps, des rideaux, des chiffons, etc.
10. Évitez de fermer les registres d'alimentation en air dans le but de garder la chaleur. Bien que cette pratique ait une certaine validité dans le cas du chauffage par zone, le gain est faible pour les systèmes de chauffage centraux. Pour fonctionner selon les températures prévues, un certain volume d'air doit circuler au-dessus de l'échangeur de chaleur de la fournaise. Réduire le nombre de registres d'alimentation en air disponibles pourrait accroître la température de fonctionnement de la fournaise, ce qui en réduirait l'efficacité et diminuerait la durée de vie de ses composants.

---

H25.1

MU

## 3.0 INFORMATION SUR LE FONCTIONNEMENT DE LA FOURNAISE

### 3.1 POUR DÉMARRER LA FOURNAISE

Pendant la saison de chauffage, le fonctionnement de la fournaise est entièrement automatique.

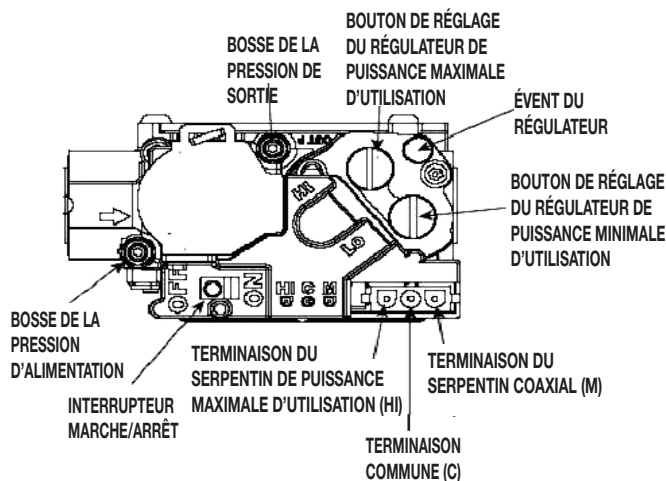
1. Tout d'abord, lisez bien ces instructions et les avis de sécurité.
2. Réglez le thermostat à la plus basse température.
3. Assurez-vous que tous les registres d'alimentation en air et les grilles de retour d'air sont ouverts.
4. Coupez l'alimentation électrique de la fournaise.
5. Retirez la porte d'accès du brûleur.
6. Assurez-vous que la soupape d'arrêt manuelle de la conduite de gaz de la fournaise est en position « ON » (marche). Normalement, à cette position, la poignée de la soupape est alignée avec le conduit de gaz et le corps de la soupape, alors qu'en position « OFF », elle leur serait perpendiculaire.
7. Tournez la soupape d'arrêt manuelle de la conduite de gaz de l'appareil en position « OFF » (arrêt).  
(Figure 3)
8. Attendez cinq minutes afin de laisser le gaz s'échapper. Si, après ce temps, vous sentez une odeur de gaz, ARRÊTEZ. Tournez la soupape d'arrêt manuelle en position « OFF » (arrêt). Si vous utilisez du gaz propane, vérifiez s'il y a une odeur de gaz près du sol, puisque le propane et le butane sont plus lourds que l'air. Passez à l'étape suivante si vous ne détectez pas d'odeur de gaz.
9. Tournez l'interrupteur de la soupape de gaz manuelle en position « ON » (marche).
10. Réinstallez la porte d'accès du brûleur et assurez-vous qu'elle est correctement placée.
11. Rétablissez l'alimentation électrique de la fournaise.
12. Réglez le thermostat à la température désirée. Si le thermostat contrôle aussi un système de climatisation, assurez-vous que l'interrupteur du thermostat est en mode « HEAT » (chaleur) ou « AUTO ».

S'il s'agit du premier allumage d'essai depuis l'installation de la fournaise ou si des travaux ont été effectués sur les conduits de gaz, il est possible que la fournaise ne se mette pas en fonction parce que de l'air est emprisonné dans la ligne d'alimentation en gaz.

Tournez simplement le thermostat au réglage le plus bas, attendez cinq minutes, puis ajustez le thermostat au réglage désiré. Si le problème persiste, effectuez la « procédure d'arrêt de la fournaise » et communiquez

H26.1

FIGURE 3



### 3.2 PROCÉDURE D'ARRÊT DE LA FOURNAISE

1. Réglez le thermostat au plus bas.
2. Coupez l'alimentation électrique de la fournaise.
3. Tournez la soupape d'arrêt manuelle en position « OFF » (arrêt).
4. Retirez la porte d'accès du brûleur, tournez l'interrupteur de la soupape de gaz manuelle en position « OFF » (arrêt), puis réinstallez la porte d'accès du brûleur.

**IMPORTANT :**

Si vous prévoyez vous absenter de la maison pour de longues périodes pendant la saison où le chauffage n'est pas requis, il est recommandé de suivre la procédure d'arrêt de la fournaise.

H26.2

### 3.3 TRUCS DE FONCTIONNEMENT

1. Des filtres à air propres optimisent l'efficacité et réduisent les coûts de chauffage.
2. Lors de la saison de chauffage, gardez les fenêtres et les portes fermées pour réduire la charge de chauffage du système.
3. Évitez toute utilisation excessive de la hotte de la cuisine et autres ventilateurs d'évacuation pour réduire la charge de chauffage du système.
4. Placez les meubles et les draperies de telle façon que tous les registres d'alimentation en air et les grilles de retour d'air ne soient pas obstrués.
5. Si vous possédez un système de conduits périmétrique, l'air chaud devrait longer les murs intérieurs. Évitez l'utilisation de déflecteurs de plastique sur les registres d'alimentation en air, ils ont tendance à faire revenir immédiatement l'air chaud dans les grilles de retour d'air.
6. Évitez de placer des appareils produisant de la chaleur comme des téléviseurs, des radios, des lampes, etc., dans les endroits pouvant influencer le thermostat.
7. Éloignez les éléments combustibles d'au moins trois pieds (0,91 m) de la fournaise. N'obstruez pas l'accès pour l'entretien de la fournaise. N'utilisez pas le conduit d'air de combustion ou d'évacuation pour suspendre des vêtements ou tout autre élément.

**IMPORTANT :**

NE FAITES JAMAIS FONCTIONNER LA FOURNAISE SANS LA PORTE DE LA SOUFFLERIE ET SANS LA PORTE DU COMPARTIMENT DE COMBUSTION, OU SI LA SOUFFLERIE EST DÉFECTUEUSE.

H26.3

## 4.0 ENTRETIEN PÉRIODIQUE PAR LE PROPRIÉTAIRE

### 4.1 FILTRE À AIR

#### ⚠ ATTENTION ⚠

NE FAITES PAS FONCTIONNER VOTRE FOURNAISE OU VOTRE CLIMATISEUR SANS FILTRE À AIR PENDANT DE LONGUES PÉRIODES.

Une partie de la poussière présente dans l'air pourrait se loger temporairement dans les conduits d'air et dans les registres d'alimentation. Toute particule de poussière en recirculation sera chauffée et carbonisée, puisqu'elle entrera en contact avec l'échangeur de chaleur. Ces résidus saliront les plafonds, les murs, les draperies, les tapis, les meubles et tout autre article ménager.

#### ⚠ AVERTISSEMENT ⚠

**COUPEZ L'ALIMENTATION ÉLECTRIQUE DE LA FOURNAISE AVANT D'EFFECTUER L'ENTRETIEN. LE NON-RESPECT DE CES DIRECTIVES POURRAIT OCCASIONNER UN CHOC ÉLECTRIQUE ENTRAÎNANT DES BLESSURES CORPORELLES GRAVES OU LA MORT.**

H3.25.1

Consultez votre installateur ou un technicien de service si vous avez des questions sur les filtres.

#### ⚠ ATTENTION ⚠

ASSUREZ-VOUS QUE LE FILTRE EST RÉ-INSTALLÉ IDENTIQUE À SON DÉBIT D'AIR DE L'USAGE ANTÉRIEUR. INVERSANT LE FILTRE PROVOQUERA LA POUSSIÈRE POUR SE LIBÉRER ET DE FAIRE CIRCULER AVEC LE SYSTÈME DE CONDUITS.

H27.1

### 4.2 INSPECTION PÉRIODIQUE

#### **IMPORTANT :**

Nous vous conseillons de faire inspecter annuellement la fournaise et les conduits d'évacuation/combustion par un technicien de service qualifié.

Il est bon d'effectuer une inspection rapide de votre fournaise chaque fois que vous inspectez ou nettoyez le filtre à air. Éléments à inspecter :

- Vérifiez la fournaise pour y déceler tout signe évident de détérioration.
- Vérifiez les conduits d'évacuation et d'air comburant pour vous assurer qu'ils sont bien fixés à l'appareil. Ils ne doivent pas être lâches et doivent avoir une pente ascendante de  $\frac{1}{4}$ " par pied (6 mm par 305 mm), jusqu'au mur extérieur ou à la terminaison.
- Il ne doit jamais y avoir de traces d'eau sur le plancher, sous l'évacuation. Des traces d'eau pourraient indiquer un joint fuyant.
- Tout le système de conduits doit être fixé à la fournaise, et doit être bien supporté d'un bout à l'autre du système de chauffage.
- L'eau doit s'écouler librement par le tuyau de drainage du condensat. Vous pourriez en faire la vérification lorsque la fournaise fonctionne, à condition que le tuyau de drainage provenant du purgeur évacue dans un drain au sol ou un puits. Si le tuyau est en plastique transparent, il pourrait jaunir avec le temps, mais le condensat qui s'en écoule devrait être relativement limpide. Un excès de débris dans le tuyau de drainage peut indiquer un problème, qui doit être réglé par votre technicien de service. Si les tuyaux de drainage sont opaques, votre technicien de service les examinera lors de l'inspection annuelle.

- Le brûleur de gaz doit être inspecté de temps à autre, lors de la saison de chauffage, afin de s'assurer que les flammes sont bien définies et bleues. Une flamme légèrement orangée n'est pas nécessairement problématique. Cette teinte orangée est sans doute causée par la combustion de particules de poussière. Si vous observez des flammes jaunes et diffuses, contactez votre technicien de service immédiatement, car elles contribueront inévitablement à la formation de suie.
- L'ampoule pour lampe UV doit être vérifiée après 1 an de fonctionnement continu ou 9000 heures de fonctionnement. Remplacer l'ampoule au besoin.
- Les terminaisons d'air comburant et d'évacuation doivent être inspectées occasionnellement pour s'assurer qu'ils sont libres d'obstructions et de débris.

---

 H27.3.1

### 4.3 INSPECTION ET ENTRETIEN ANNUELS

Nous vous recommandons de faire inspecter la fournaise annuellement par un installateur qualifié, une agence de service ou un fournisseur de gaz. L'inspection annuelle couvrira normalement les éléments suivants :

**ÉCHANGEUR DE CHALEUR** - L'échangeur de chaleur doit être inspecté pour tout signe de corrosion. Les conduits de raccordement (conduits de l'échangeur de chaleur) ne doivent pas s'écailler ou se corroder de façon excessive.

**BRÛLEURS** - Les brûleurs doivent être inspectés pour s'assurer qu'ils ne se détériorent pas.

## ⚠ ATTENTION ⚠

FAITES ATTENTION LORSQUE VOUS TRAVAILLEZ SUR L'ASSEMBLAGE DU BRÛLEUR.  
L'ALLUMEUR DE SURFACE CHAUDE EST FRAGILE ET PEUT SE BRISER FACILEMENT.

Le capteur de flamme doit être inspecté et nettoyé avec une fine laine d'acier ou un tampon à laver Scotch-Brite<sup>MC</sup>. Le raccord du câblage doit être vérifié pour s'assurer qu'il est bien serré et qu'il ne comporte pas de corrosion.

**DRAINAGE** - Le système de drainage du condensat doit être inspecté et nettoyé si nécessaire. Si l'ensemble de purgeur de condensat, ou tout autre composant, se bloque, le condensat pourrait revenir dans l'échangeur de chaleur secondaire ou primaire, ce qui causera des basculements incommodes des interrupteurs de pression ou de l'interrupteur de fonctionnement. Le condensat doit être observé pour y détecter tout signe de saleté, de carbone, de débris, etc.

**SOUFFLERIE** - La soufflerie doit être vérifiée pour s'assurer qu'elle ne comporte pas d'accumulation excessive de poussière, de débris, etc. Les attaches mécaniques doivent être inspectées et vérifiées pour s'assurer qu'elles sont suffisamment serrées et que les pièces sont bien alignées. Les orifices de ventilation du moteur doivent être nettoyés si nécessaire pour prévenir une diminution du refroidissement en raison d'une circulation d'air sur le moteur.

**CIRCUIT ÉLECTRIQUE** - Tous les branchements électriques doivent être vérifiés pour s'assurer qu'ils sont bien serrés et qu'ils ne comportent pas de corrosion. Réparez tout branchement lâche ou corrodé.

**FONCTIONNEMENT DE LA FOURNAISE** - La fournaise doit être testée lors de l'inspection annuelle et de l'entretien pour :

1. Vérifier tous les contrôles de sécurité.
2. Vérifier que l'élévation de température est comprise dans l'intervalle indiqué sur la plaque d'homologation de l'appareil.
3. Assurer que l'allumage du brûleur se fait en douceur et que les flammes sont de couleur bleu doux, et ne touchent pas à l'échangeur de chaleur.
4. **Assurer que le compteur de gaz est synchronisé ou que la pression au collecteur de la fournaise est vérifiée pour confirmer que la fournaise fonctionne selon le débit indiqué sur la plaque d'homologation.**

**LAMPE UV** - L'ampoule pour lampe UV doit être vérifiée après 1 an de fonctionnement continu ou 9000 heures de fonctionnement. Remplacer l'ampoule au besoin.

---

 H27.4.2

### 4.4 APPARENCE DE LA FOURNAISE

Son fini extérieur durable ressemble à celui des automobiles. Il peut être lavé avec un savon doux, si nécessaire. Les surfaces en métal galvanisé ne nécessitent aucun entretien.

---

 H27.5

## 4.5 SÉQUENCE DE FONCTIONNEMENT - ECM EON

1. Si la température de la pièce chute, le thermostat démarre le chauffage en connectant « W1 » à « R ». Le contrôle vérifie que l'interrupteur de fin de course est fermé et que les interrupteurs de faible et de haute pression sont ouverts. Le contrôle active le moteur du ventilateur d'évacuation à la vitesse la plus élevée et attend que l'interrupteur de faible pression se ferme. Le ventilateur d'évacuation demeure à la vitesse élevée et commence une période de pré-purge de 15 secondes. L'interrupteur de haute pression est ignoré. Si l'interrupteur de faible pression ne se ferme pas dans un délai de 60 secondes, le contrôle affichera le chiffre « 2 » clignotant sur le voyant DEL rouge, et il désactivera le ventilateur d'évacuation pendant 60 minutes.
2. Lorsque la période de pré-purge de 15 secondes est écoulée, le contrôle active l'allumeur de surface chaude pendant une période de réchauffement de 15 secondes (15 secondes pour les essais ultérieurs). Le contrôle active la soupape de gaz principale inférieure. Quatre secondes après avoir activé le gaz, le contrôle désactive l'allumeur de surface chaude et laisse le gaz activé pendant une autre seconde pour la vérification de la flamme. Si la flamme est présente à la fin de la période d'allumage, le contrôle laisse la soupape de gaz activée, place le ventilateur d'évacuation à la vitesse élevée et commence à souffler l'air chaud. Le contrôle s'allume toujours avec le ventilateur d'évacuation élevé et le gaz faible, et ne redémarre pas le chauffage jusqu'à ce que la puissance minimale d'utilisation soit établie pendant 15 secondes.
3. La soufflerie entre en fonction lorsque la soupape de gaz est activée. Le contrôle donne le signal de vitesse de faible chaleur au moteur lorsque la flamme est établie, et amorce une période d'attente de 30 secondes avant que la soufflerie atteigne sa pleine capacité.
4. Lorsque le thermostat démarre le chauffage de deuxième étape (W2 ou demande automatique), le contrôle fait passer le ventilateur d'évacuation de la vitesse faible à élevée. Lorsque l'interrupteur de haute pression se ferme, le contrôle change la vitesse de la soufflerie intérieure de faible à élevée, et active la sortie de gaz élevée. Si l'interrupteur de haute pression est ouvert, le voyant DEL vert clignotera. Si l'interrupteur de haute pression est fermé, le voyant DEL vert sera allumé. La soupape de gaz élevé chute lorsque l'interrupteur de haute pression est ouvert, car elle est installée en série avec cet interrupteur.
5. Lorsque le chauffage du thermostat W2 s'éteint et celui du W1 continu (thermostat à deux consignes), le contrôle désactive la sortie de gaz élevée et fait immédiatement passer le ventilateur d'évacuation de la vitesse élevée à faible. Lorsque les contacts de chaleur du thermostat sont ouverts (thermostat à consigne unique), les flammes s'éteignent immédiatement et le ventilateur d'évacuation s'arrête après une période de 5 secondes suivant la purge.
6. Le délai de désactivation de la soufflerie est géré par le moteur. Le contrôle désactive le signal de chaleur du moteur lorsque la soupape de gaz se désactive, et amorce une période d'arrêt programmée.

### S'IL Y A EXTINCTION DE LA FLAMME :

Si la flamme s'éteint, le contrôle désactive la soupape de gaz dans un délai de 2 secondes, fait passer le moteur du ventilateur d'évacuation à la vitesse élevée (s'il ne l'est pas déjà), et démarre la période de pré-purge. Le moteur de la soufflerie intérieure sera activé ou restera activé à la vitesse de chauffage pendant la période de désactivation programmée. Lorsque la période inter-purge est terminée, le contrôle réenclenchera jusqu'à 5 pertes de flamme (4 réenclenchements) avec un seul démarrage de chaleur avant d'aller en mode verrouillage. Le contrôle affichera le chiffre « 8 » clignotant sur le voyant DEL rouge si le verrouillage est le résultat d'un trop grand nombre de pertes de flamme (verrouillage de 1 heure).

H21.3.2B

## 4.6 VARIATIONS

Si votre système comprend un climatiseur, votre thermostat (fourni par l'installateur) comporte probablement deux interrupteurs. Le premier interrupteur est celui du système. Les réglages comprennent habituellement « HEAT » (chaleur), « COOL » (froid) et « OFF » (arrêt). Certains thermostats possèdent des interrupteurs incluant « HEAT » (chaleur), « COOL » (froid), « AUTO » et « OFF » (arrêt). L'interrupteur du système doit être en position « HEAT » (chaleur) ou « AUTO » pour que la fournaise fonctionne.

Le second interrupteur est celui de la soufflerie. Il possède habituellement les réglages « ON » (marche) et « AUTO ». L'interrupteur de la soufflerie peut être dans l'une ou l'autre des positions lorsque la fournaise est utilisée. Si l'interrupteur de la soufflerie est réglé à « ON » (marche), la soufflerie principale fonctionnera continuellement.

H27.7

## 4.7 TRUCS DE FONCTIONNEMENT

Inspectez occasionnellement la prise d'air comburant et les terminaisons d'évacuation pour vous assurer qu'elles ne sont pas bloquées par des débris. Si des grilles ont été utilisées dans l'une ou l'autre des terminaisons, assurez-vous qu'elles ne sont pas bloquées par des débris, de la corrosion ou tout autre élément susceptible d'empêcher la libre circulation d'air.

H27.8

## 5.0 RÉFÉRENCE POUR LE PROPRIÉTAIRE

TABLEAU DE RÉFÉRENCE POUR LE PROPRIÉTAIRE
Numéro de modèle
Numéro de série <i>(numéro de série situé sur le fond de la porte intérieure)</i>
Date d'installation
Entrepreneur
Personne-ressource
Adresse
Code postal
Numéro de téléphone
Numéro en dehors des heures d'ouverture
<b>Si différent de l'entrepreneur d'installation :</b>
Technicien de service
Numéro de téléphone
Numéro en dehors des heures d'ouverture
<b>Fournisseur de gaz :</b>
Fournisseur de gaz
Personne-ressource
Numéro de téléphone
Numéro en dehors des heures d'ouverture

H28.0

MU





# NAPOLÉON CÉLÈBRE PLUS DE 40 ANS D'EXISTENCE CONSACRÉS À LA CONCEPTION DE PRODUITS DE CONFORT



7200, Route Transcanadienne, Montréal, Québec H4T 1A3  
24 Napoleon Road, Barrie, Ontario, Canada L4M 0G8  
214 Bayview Drive, Barrie, Ontario, Canada L4N 4Y8  
103 Miller Drive, Crittenden, Kentucky, USA 41030

Téléphone: 1-866-820-8686  
napoleon.com



W415-2306