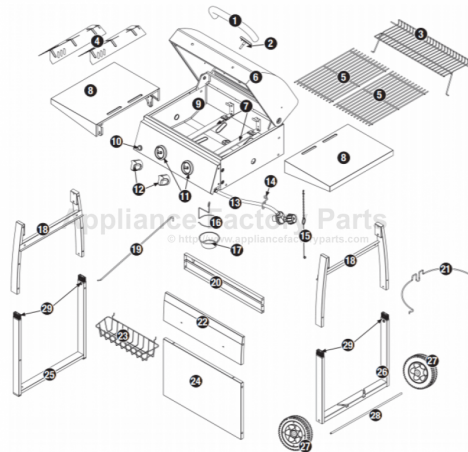


This Owner's Manual is provided and hosted by [Appliance Factory Parts](#).



REVOACE GBC1705WV Owner's Manual

[Shop genuine replacement parts for REVOACE
GBC1705WV](#)



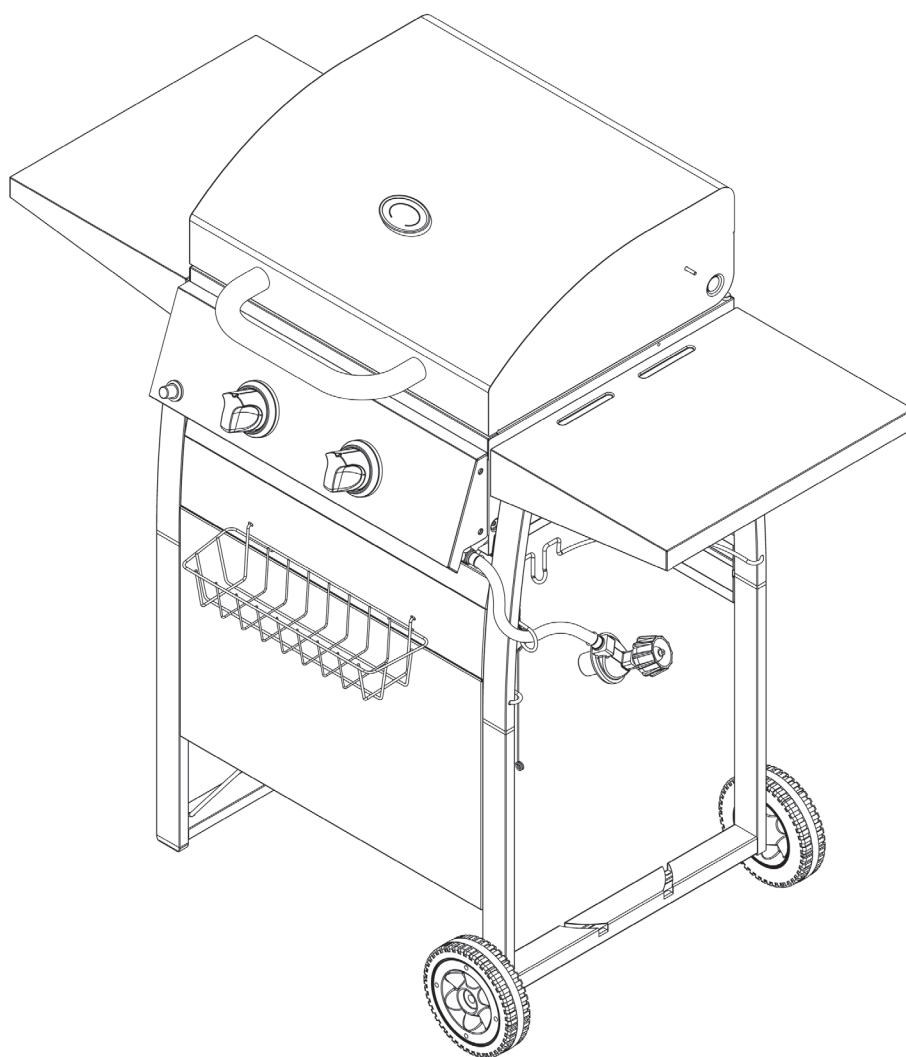
[Find Your REVOACE Grill Parts - Select From 56 Models](#)

----- Manual continues below -----

OWNER'S MANUAL

Outdoor LP Gas Barbecue Cooker

Model No. GBC1705WV



FOR YOUR SAFETY

1. Improper installation, alteration, or use may cause injury or death.
2. Read the instructions and maintenance information before installing this equipment.
3. Failure to follow instructions may result in fire, explosion, or death.
4. This instruction manual contains important information for safe assembly and use.
5. Read and follow all instructions for the appliance.
6. Follow all warnings when using the appliance.
7. Keep this manual for future reference.

Natural gas kit (model GBC1705WV) available at www.WarriorAppliances.com

Table of Contents

Important Safeguards	Page 2
Expanded View & Hardware	4
Assembly Instructions	5
Installing LP Gas Tank	9
Installing Natural Gas Line	9
Operating Instructions	9
Cleaning and Care	10
Limited Warranty	11



FOR YOUR SAFETY

1. Do NOT store flammable liquids or gases in this or any other appliance.
2. An LP cylinder should NOT be stored in the appliance.



Important Safeguards Warning

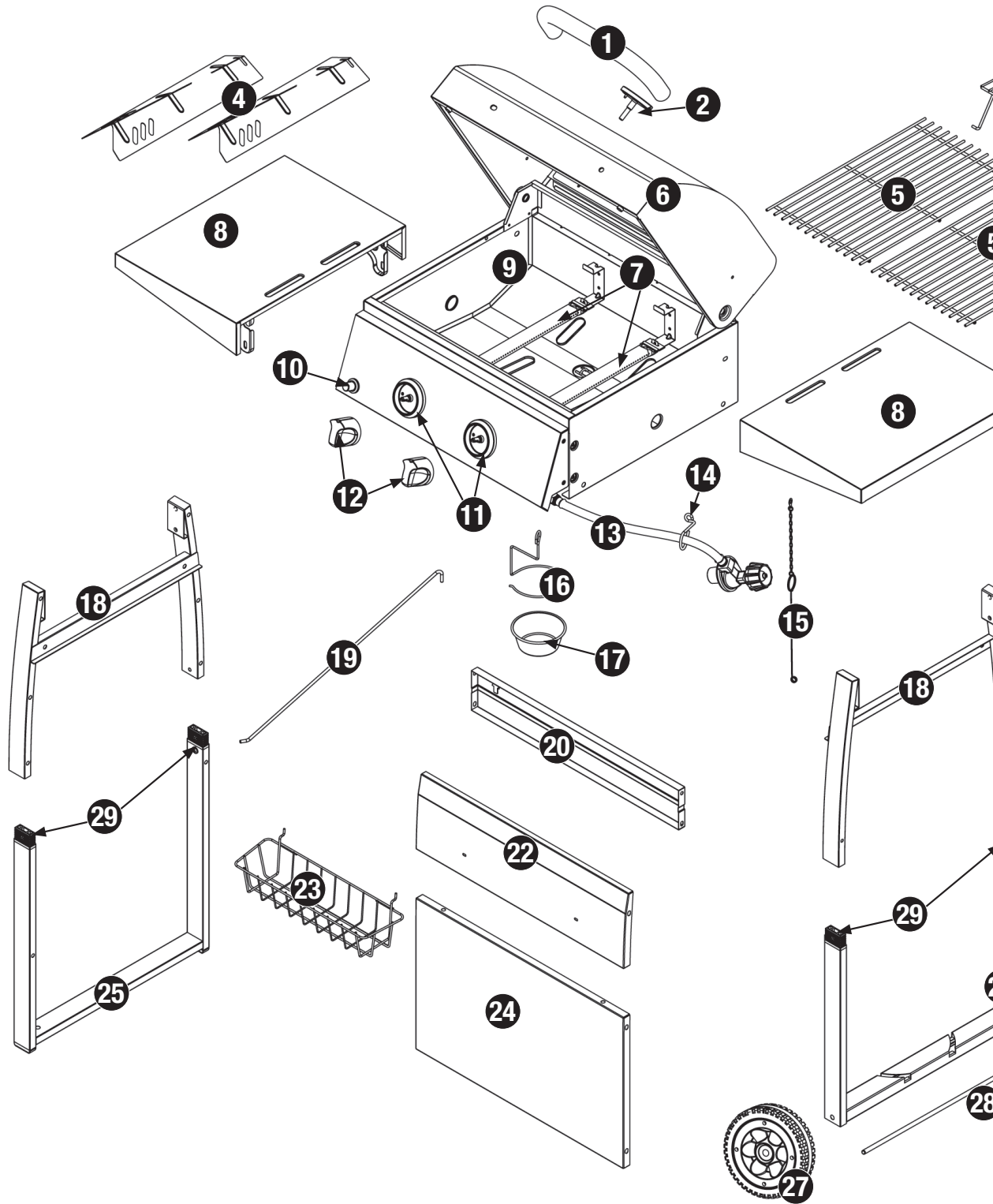
- ▲ This grill is for outdoor use only, and should not be used in a building, garage or any other enclosed area.
- ▲ Do NOT operate, light or use this appliance within ten feet (3.05 m) of walls, structures or buildings.
- ▲ For residential use only. This grill is NOT for commercial use.
- ▲ This grill is not intended for and should never be used as a heater. TOXIC fumes can accumulate and cause asphyxiation.
- ▲ This grill is safety certified for use in the United States and/or Canada only. Do NOT modify for use in any other location. Modification is a safety hazard and will void your warranty.
- ▲ This grill, from the factory, is for use with liquid propane (LP) gas only. The conversion to or attempted use of natural gas is dangerous, may cause bodily harm and will void your warranty.
- ▲ This grill, from the factory, is for use with LP gas. The natural gas conversion kit model number VFK1702W may be used for natural gas. The use of any other conversion kit is dangerous, may cause bodily harm and will void your warranty.
- ▲ LP gas characteristics:
 - a. LP gas is flammable and hazardous if handled improperly. Become aware of the characteristics before using any LP gas.
 - b. LP gas is explosive under pressure, heavier than air, and settles/pools in low areas.
 - c. LP gas in its natural state has no odor. For your safety, an odorant is added that smells like rotten cabbage.
 - d. Contact with LP gas can cause freeze burns to skin.
- ▲ Natural gas (NG) characteristics:
 - a. NG is flammable and hazardous if handled improperly. Become aware of the characteristics before using any NG.
 - b. NG is explosive under pressure, heavier than air, and settles/pools in low areas.
 - c. NG in its natural state has no odor. For your safety, an odorant is added that smells like rotten cabbage.
 - d. Contact with NG can cause freeze burns to skin.
- ▲ Apartment dwellers: Check with management to learn the requirements and fire codes for using a LP gas grill in your apartment. Do NOT use outside on the ground floor with a ten foot (3.05 m) clearance from any structure. Do NOT use on or under balconies.
- ▲ LP gas cylinder needed to operate. Only cylinders marked "propane" may be used.
- ▲ The LP gas cylinder must be constructed and marked in accordance with the *Specifications for LP-gas Cylinders* of the Department of Transportation (D.O.T.) or the National Standard of Canada, *CAN/CSA-B339, Cylinders, Spheres and Tubes for the Transportation and Commission*.
- ▲ LP gas cylinder must be arranged for vapor withdrawal.
- ▲ The LP gas cylinder must have a listed overfilling prevention device (OPD).
- ▲ Only use LP gas cylinders equipped with a cylinder connection device compatible with the connection for outdoor cooking.
- ▲ The LP gas cylinder must have a cylinder collar to protect the cylinder valve.
- ▲ Never use a LP gas cylinder with a damaged body, valve, collar or footing.
- ▲ Dented or rusted LP gas cylinders may be hazardous and should be checked by your LP gas supplier prior to use.
- ▲ The LP gas cylinder should not be dropped or handled roughly.
- ▲ LP gas cylinders must be stored outdoors out of the reach of children and must not be stored in a building, garage or other enclosed area. A cylinder must never be stored where temperatures can reach over 125°F.
- ▲ Do NOT insert any tool or foreign object into the valve outlet or safety relief valve. You may damage the valve and cause a gas leak which may result in an explosion, fire, severe personal injury or death.
- ▲ Do NOT block holes in sides or back of grill.
- ▲ Never keep an LP gas cylinder in a hot car or trunk. Heat will cause the gas pressure to increase, which may open the valve and cause a gas leak.
- ▲ Place dust cap on cylinder valve outlet whenever the cylinder is not in use. Only install the type of dust cap on the cylinder valve with the cylinder valve. Other types of caps or plugs may result in leakage of propane.
- ▲ If grill is not in use, the gas must be turned off at the supply cylinder and disconnected.



Important Safeguards Warning

- ▲ **NG:** The appliance must be isolated from the gas supply piping system by closing its individual manual shutoff valve and isolating the gas supply piping system at test pressures equal to or less than ½ psig (3.5 kpa).
- ▲ This grill is designed to operate at an inlet pressure of: LP gas: 11 inches water column; NG: 7 inches water column.
- ▲ Do NOT store or use gasoline or other flammable liquids or vapors within 25 feet (7.62 m) of this appliance.
- ▲ Do NOT use in an explosive atmosphere. Keep grill area clear and free from combustible materials, gasoline and other flammable vapors.
- ▲ Minimum clearance from sides and back of unit to combustible construction is 36 inches (91.4 cm). Do NOT use the grill under an overhang or roof.
- ▲ It is essential to keep the grill's valve compartment, burners and circulating air passages clean.
- ▲ Inspect grill before each use.
- ▲ Do NOT alter grill in any manner. Any alteration will void your warranty.
- ▲ Do NOT use the grill unless it is COMPLETELY assembled and all parts are securely fastened and tightened.
- ▲ Do NOT build this model of grill in any built-in or slide-in construction. Ignoring this warning could cause a fire on your property and cause serious bodily injury or death.
- ▲ This grill should be thoroughly cleaned and inspected on a regular basis.
- ▲ Clean and inspect the hose before each use of the appliance. If there is evidence of abrasion, wear, cuts or leaks, do not use the grill.
- ▲ Use only the regulator and hose assembly provided. Use only the replacement regulator and hose assembly specified in this manual.
- ▲ Use only RevoAce Inc. Limited factory-authorized parts. The use of any part that is not factory-authorized can be void of warranty.
- ▲ Do NOT operate this appliance without reading "Operating Instructions" in this manual.
- ▲ Do NOT touch metal parts of grill until they have completely cooled (about 45 min.) to avoid burns, unless you are wearing heat-resistant gloves, BBQ mittens, etc.).
- ▲ Do NOT install or use in or on boats or recreational vehicles.
- ▲ When cooking, fire extinguishing materials should be readily accessible. In the event of an oil/grease fire, do NOT use water. Use type BC dry chemical fire extinguisher or smother with dirt, sand or baking soda.
- ▲ Do NOT use grill in high winds.
- ▲ Never lean over the grill when lighting.
- ▲ Do NOT leave a lit grill unattended. Keep children and pets away from grill at all times.
- ▲ Do NOT leave grill unattended while preheating or burning off food residue on high. If grill has not been cleaned, a fire could occur and damage the product.
- ▲ Do NOT place empty cooking vessels on the appliance while in operation.
- ▲ Use caution when placing anything on the grill while the appliance is in operation.
- ▲ Do NOT attempt to move grill when in use. Allow the grill to cool before moving or storing.
- ▲ LP gas cylinder must be properly disconnected and removed prior to moving this grill.
- ▲ Storage of grill indoors is permissible only if the cylinder is disconnected, removed from the grill and properly stored.
- ▲ Always open grill lid carefully and slowly as heat and steam trapped within grill can cause severe burns.
- ▲ Do NOT attempt to disconnect the gas regulator from the cylinder or any gas fitting while the grill is in use.
- ▲ Always place your grill on a hard, non-combustible, level surface. An asphalt or blacktop surface may not be acceptable.
- ▲ Move gas hoses as far away as possible from hot surfaces and dripping hot grease.
- ▲ Keep all electrical cords away from a hot grill.
- ▲ After a period of storage and/or nonuse, check for leaks, burner obstructions and inspect for any abrasion, wear or damage.
- ▲ Failure to open lid while igniting the grill's burners, or not waiting 5 minutes to allow the gas to clear if the grill does not light, could cause an explosive flame-up.

Expanded View



Parts List

1	Handle	G1205-0307	11	Control Knob Bezel (2)*	G1205-200	21	LP Gas Ta
2	Temperature Gauge	B0104-JRE	12	Control Knob (2)	G0900-080	22	Upper Fro
3	Warming Rack	G1205-010	13	Regulator/Hose Assembly*	G1405-090	23	Condimen
4	Heat Plate (2)	B0212-040	14	QCC Clip*	G1205-220	24	Lower Fro
5	Cooking Grid (2)	G1205-020	15	Lighting Rod	B0223-B01	25	Left Lowe

Assembly Instructions

1

DO NOT RETURN TO PLACE OF PURCHASE.

For assistance, call **1.800.694.0013** toll-free. Please have your owner's manual and model number available for reference.

Note: The model number is printed on a label which can be found on the inside door, back or side of the cart assembly.

Assembly Tips:

1. Select an area where you will assemble this product. To protect components, choose a smooth surface that's free of cracks or openings.
2. Spread out all parts.
3. Tighten all hardware connections by hand first. Then, before completing each step, go back and fully tighten all hardware. Be careful not to over-tighten. That could damage surfaces or strip threads.
4. For best results, complete each step in the order presented.

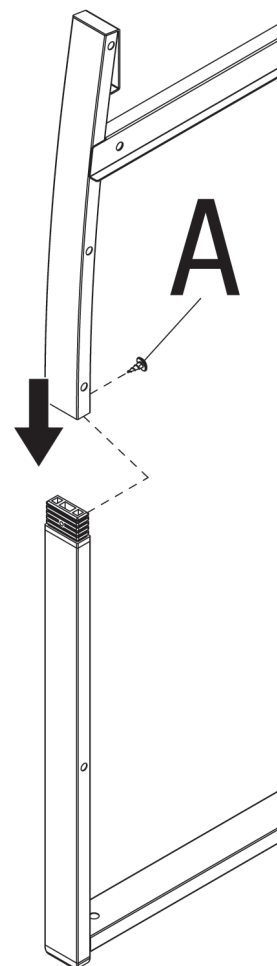
To complete assembly you will need:

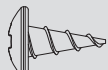
- (1) Leak detection solution (instructions on how to make the solution are included in the "Operating Instructions" section of this manual).
- **LP:** (1) Precision-filled LP gas grill tank with Acme Type 1 external threaded valve connection (standard grill size) (not included).
- **NG:** (1) Natural gas conversion kit, model number VFK1702W (not included).

Typical assembly is approximately one hour.

2

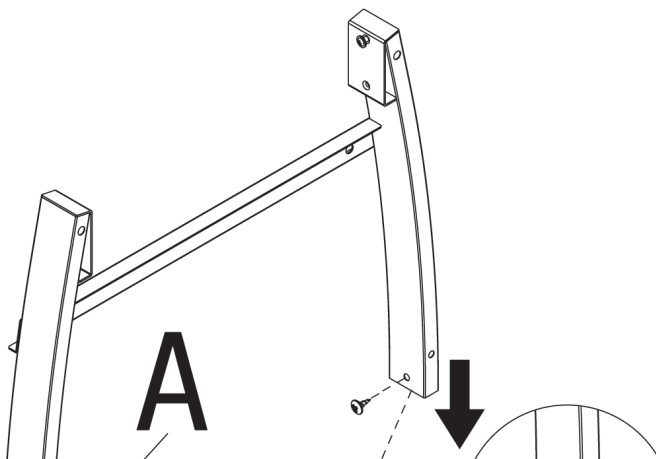
Assemble Left Cart Frame



A  x 2

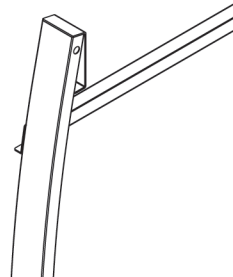
3

Assemble Right Cart Frame

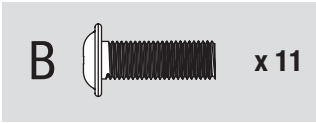
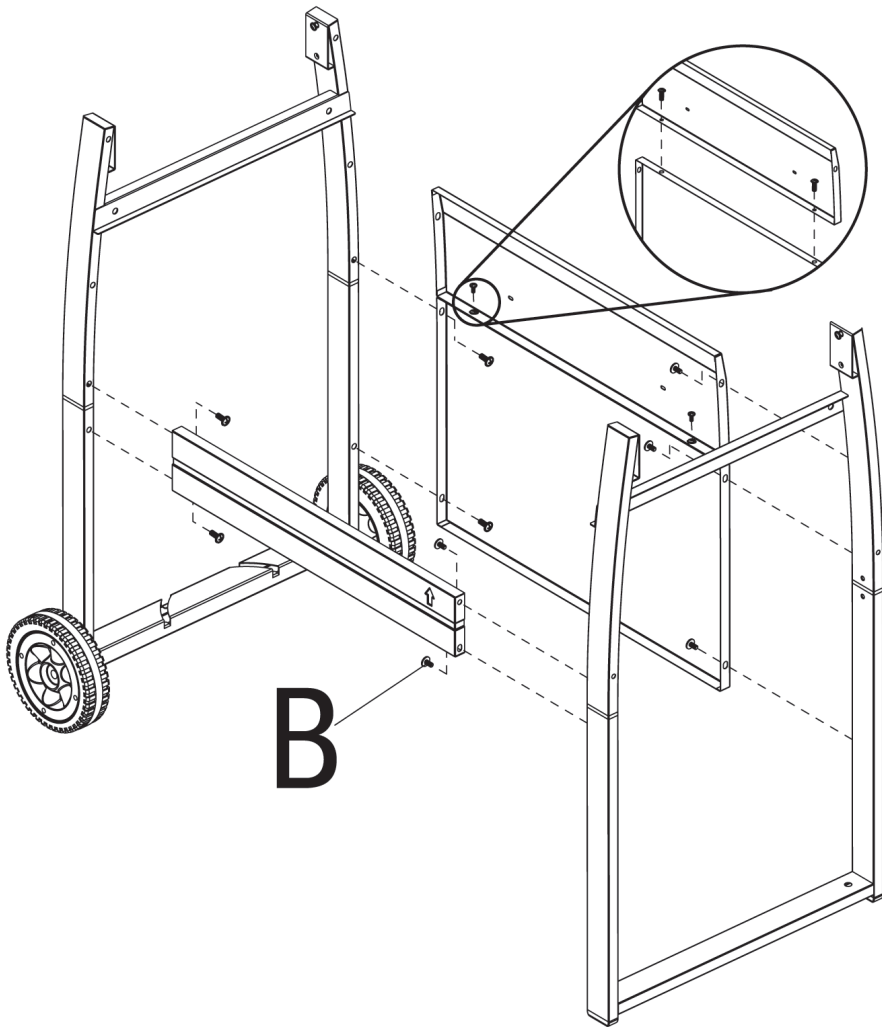


4

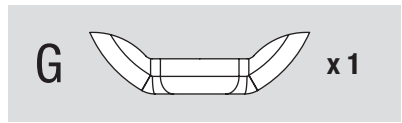
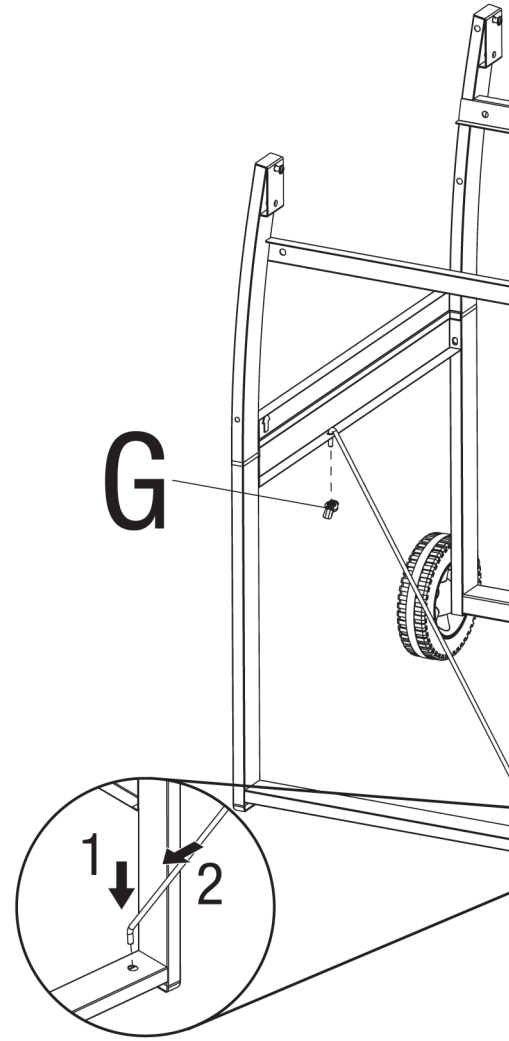
Attach Axle and Wheels



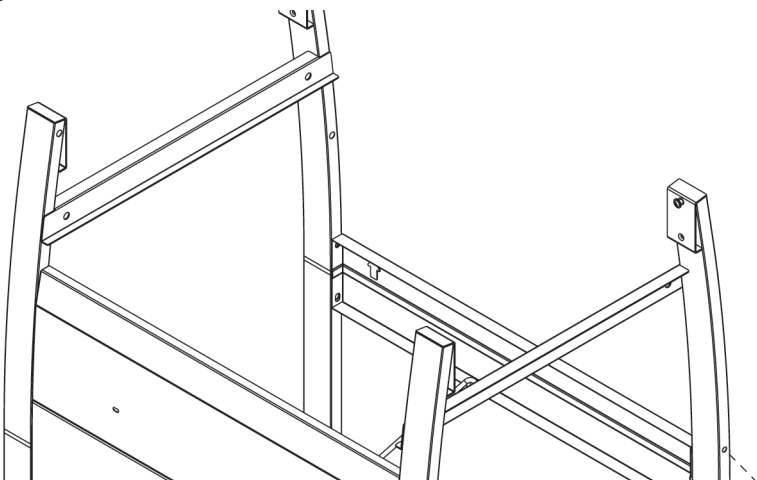
5 Attach Front Panels and Rear Cart Support



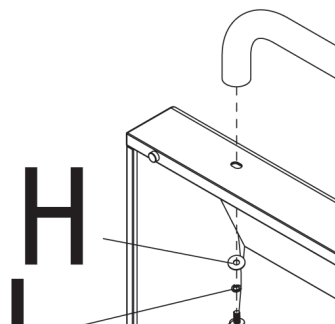
6 Attach Cart Frame Support



7 Attach LP Gas Tank Retainer Wire

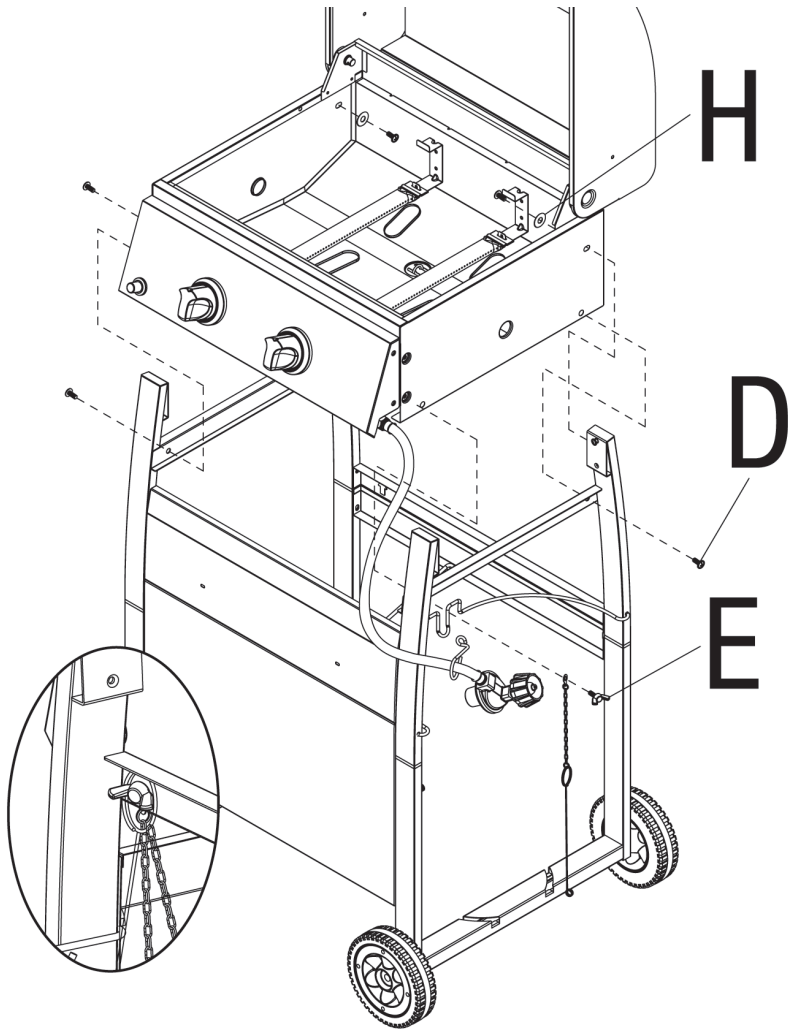


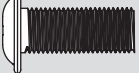
8 Attach Handle, Control Knob



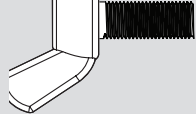
9

Attach Grill Body Assembly and Lighting Rod



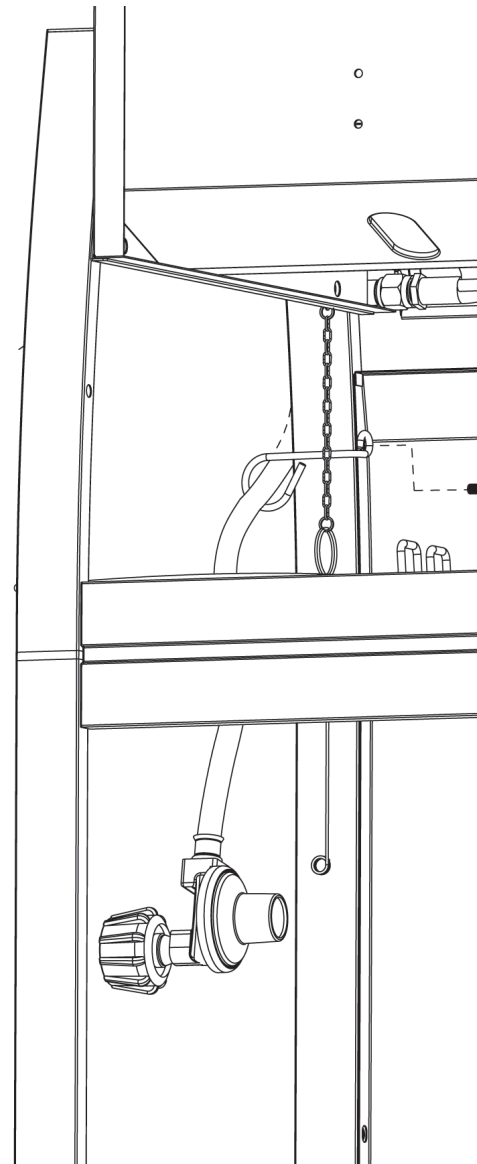
D  x5

H  x2

E  x1

10

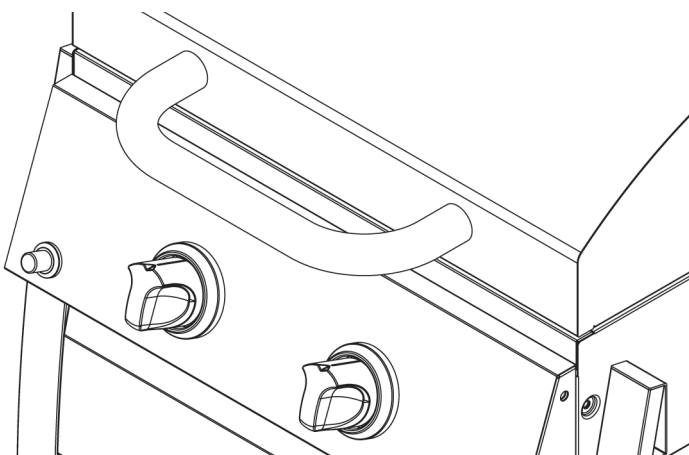
Secure QCC Clip



B  x1

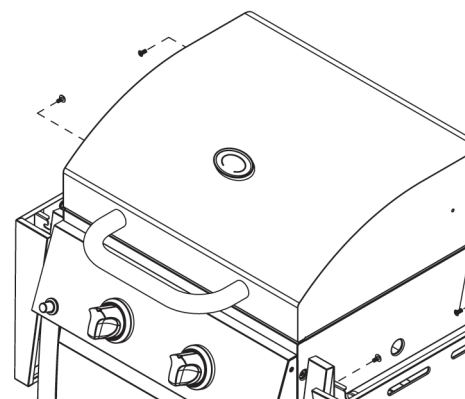
11

Attach Condiment Basket

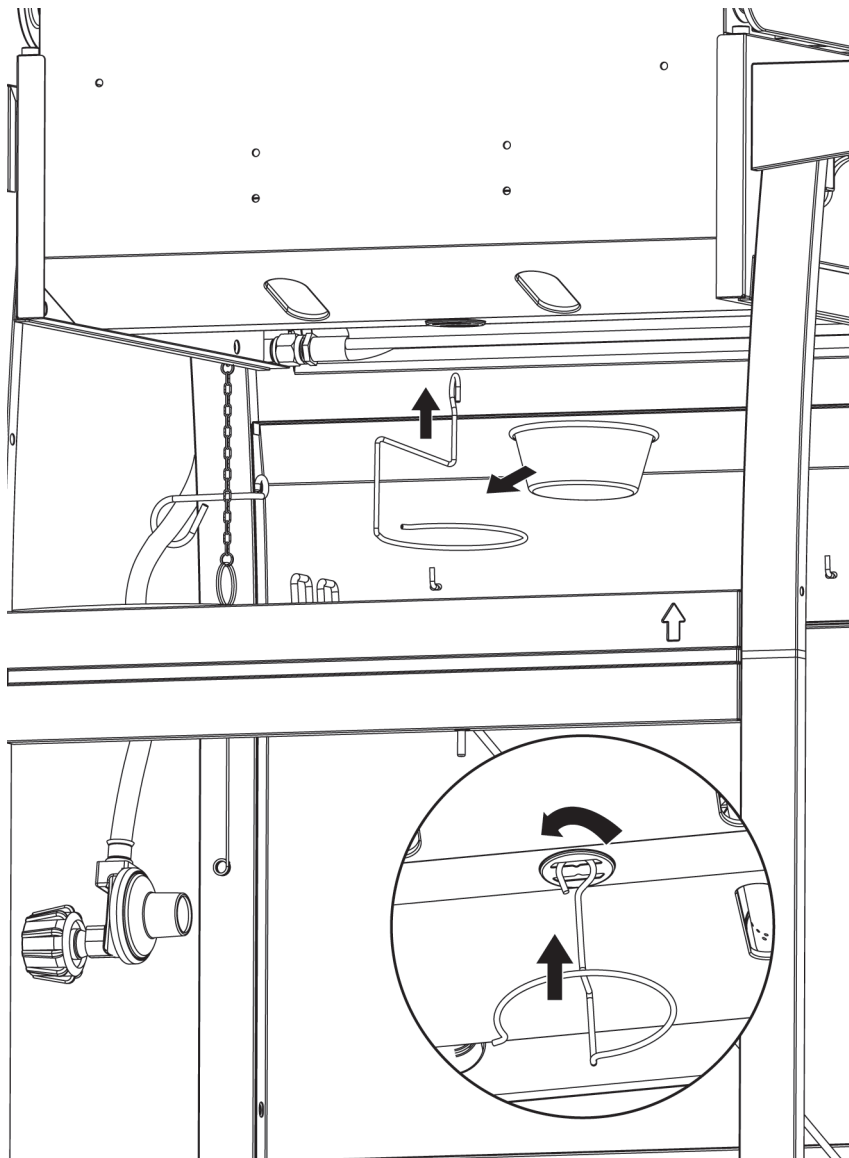


12

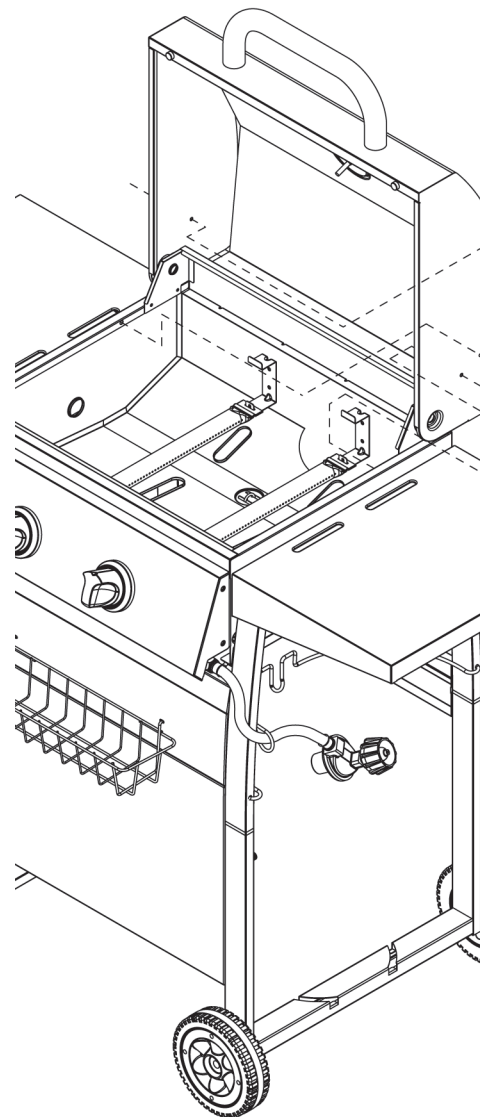
Attach Side Shelves



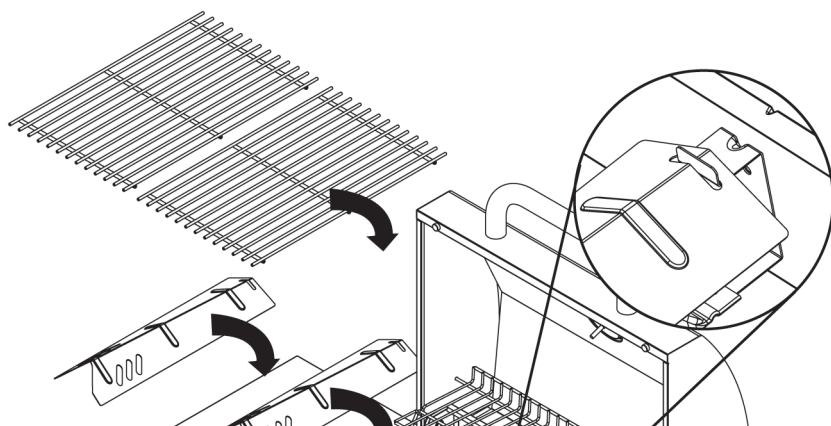
13 Insert Grease Cup Support and Grease Cup



14 Insert Warming Rack



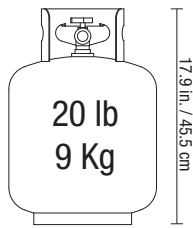
15 Insert Heat Plates and Cooking Grids



Natural gas conversion (VFK1702W) available at www.Walmart.ca.

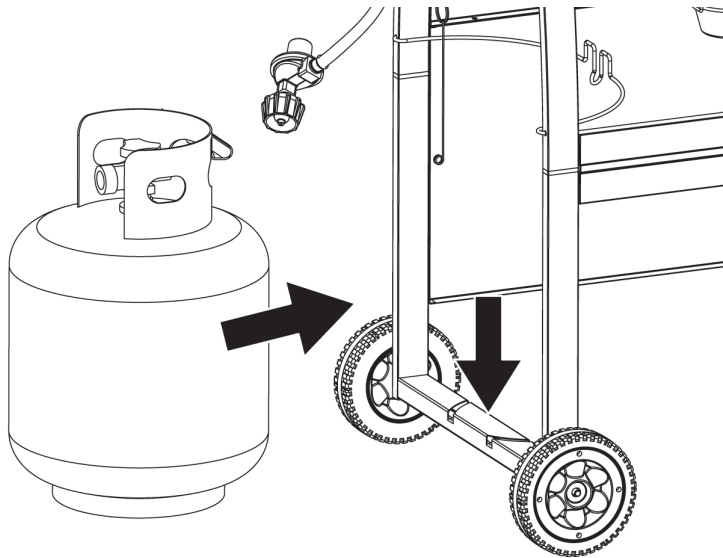
Installing LP Gas Tank

To operate, you will need one precision-filled standard grill LP gas tank with external valve threads.



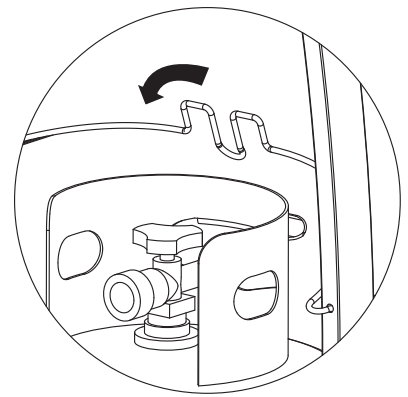
Inserting LP Gas Tank

Place precision-filled LP gas tank upright into the notches in the right cart frame so the tank valve is facing the gas line connection.



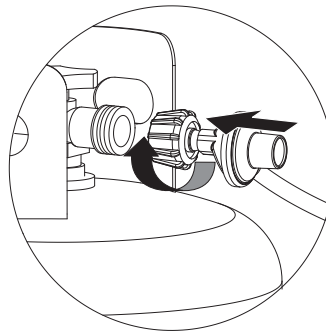
Securing LP Gas Tank

Secure tank by sliding the tank retainer wire over the tank.



Connecting LP Gas Tank

1. Before connecting, be sure there is no debris caught in the head of the LP gas tank, head of the regulator valve or in the head of the burner or burner ports.
2. Connect regulator/hose assembly to tank by turning knob clockwise until it stops.



Disconnecting LP Gas Tank

1. Before disconnecting, make sure the LP gas valve is "CLOSED."
 2. Disconnect regulator/hose assembly from LP gas tank by turning knob counterclockwise until it is loose.
- ⚠ CAUTION: LP gas tank must be properly disconnected and removed prior to moving this grill.**
3. Place the protective cap cover on the LP gas tank and store the tank outdoors in a well ventilated area away from direct sunlight.

Getting More Propane

Need a tank of gas? One option is to try propane exchange. It's easy, fast, safe, and available at tens of thousands of conveniently located retail outlets nationwide, which are typically open nights and weekends. You can purchase a fresh, precision-filled tank or exchange your empty for a fresh, precision-filled tank. Another option is to have your tank refilled at a refill station. Be sure to check the hours of operation for the refill station.

Installing Natural Gas Line

Installation should be done by a qualified service person.

⚠ CAUTION: If young children are in the area, a locking valve should be considered.

Connecting Natural Gas Line

1. Before connecting, be sure there is no debris caught in the head of the natural gas line, head of the grill natural gas line or in the head of the burner or burner ports.
2. Connect grill natural gas line to natural main gas line.

Disconnecting Natural Gas Line

Operating Instructions (continued)

5. Spoon several drops of solution, or use a squirt bottle, at all “X” locations (Figures 1 and 3).
 - a. LP: If any bubbles appear, turn LP gas tank valve to “CLOSED,” reconnect and re-test.
NG: If any bubbles appear, turn natural gas main valve “OFF,” reconnect and re-test.
 - b. LP: If you continue to see bubbles after several attempts, turn LP gas tank valve to “CLOSED” and disconnect LP gas tank, per “Disconnect LP Gas Tank” section. Contact 1.800.694.0013 for assistance.
NG: If you continue to see bubbles after several attempts, turn natural gas main valve to “OFF.” Disconnect natural gas line and contact 1.800.694.0013 for assistance.
 - c. LP: If no bubbles appear after one minute, turn LP gas tank valve to “CLOSED,” wipe away solution and proceed.
NG: If no bubbles appear after one minute, turn natural gas main valve to “OFF,” wipe away solution and proceed.

Operating Main Burners

First Use

1. Make sure all labels, packaging and protective films have been removed from the grill.
2. Remove manufacturing oils before cooking on this grill for the first time by operating the grill for at least 15 minutes on 🔥 (HIGH) with the lid closed. This will “heat clean” the internal parts and dissipate odors.

Lighting

- ⚠️ **CAUTION: Keep outdoor gas cooking appliance area clear and free from combustible materials, gasoline and other flammable vapors and liquids.**
- ⚠️ **CAUTION: Do NOT obstruct the flow of combustion and ventilation air.**
- ⚠️ **CAUTION: Check and clean burner/venturi tubes for insects and insect nests. A clogged tube can lead to a fire.**
- ⚠️ **CAUTION: Attempting to light the burner with the lid closed may cause an explosion.**

1. Open lid.
2. Check for obstructions of airflow to the burners. Spiders, insects and webs can clog the burner/venturi tube. A clogged burner tube can lead to a fire.
3. All control knobs must be in the “🔥 OFF” position (Figure 2).
4. LP: Connect LP gas tank per “Installing LP Gas Tank” section.
NG: Connect NG main line per “Installing Natural Gas Line” section.
5. LP: Turn LP gas tank valve to “OPEN.”
NG: Turn natural gas main valve to “ON.”
6. Push and turn any control knob to 🔥 (HIGH).
7. Press the ⚡ (igniter) button repeatedly 3 to 4 times to light burner.
8. If ignition does not occur in 5 seconds, turn burner control knob “🔥 OFF,” wait 5 minutes, and repeat lighting procedure.
9. If igniter does not light burner, use a lit match secured with the Lighting Rod (included with grill) to light burners. Access the burners through the cooking grid and heat plates. Position lit match near side of burner (Figure 4).

Important: Always use the Lighting Rod (included) when lighting burners with a match.

10. After lighting, observe the burner flame. Make sure all burner ports are lit and flame height matches illustration (Figure 5).

Note: Each burner lights independently - repeat steps 5-9 for the other burners.

Turning Off

1. LP: Turn LP gas tank valve to “CLOSED.”
NG: Turn natural gas main valve to “OFF.”
2. Turn all control knobs clockwise to the “🔥 OFF” position.
Note: A “poof” sound is normal as the last of the LP gas is burned.
3. LP: Disconnect LP gas tank per “Disconnecting LP Gas Tank” section.
NG: Keep NG main gas line connected.

Controlling Flare-ups

- ⚠️ **CAUTION: Putting out grease fires by only closing the lid is not possible.**


1. If a grease fire develops, turn control knobs to the “🔥 OFF” position
 - (a) LP gas tank valve “CLOSED” or
 - (b) NG main valve “OFF”


Do NOT use water on a grease fire. This can cause the grease to splatter and could result in serious burns, bodily injury, or death.
2. Do NOT leave grill unattended while preheating or burning off food residue on 🔥 (HIGH). If grill has not been cleaned, use a grill brush to clean the grill.

Flare-ups are a part of cooking meats on a grill and add to the unique flavor of grilling.

Excessive flare-ups can over-cook your food and be dangerous.

Important: Excessive flare-ups result from the build-up of grease in the bottom of your grill.

	CAUTION
<p>If burner flame goes out, immediately turn the control knob to the OFF position</p> <p>(a) LP gas tank valve “CLOSED” or</p> <p>(b) NG main valve “OFF”</p> <p>and open lid to let the grill re-lighting.</p>	


	WARNING
<p>When cooking, fire extinguishers should be readily accessible. In the event of a fire, use type BC dry chemical fire extinguisher. Do not smother with dirt, and do not attempt to extinguish grease fires.</p>	

Cleaning and Care (continued)


Cleaning Surfaces

1. Wipe surfaces clean with mild dishwashing detergent or baking soda mixed with water.
2. For stubborn surfaces, use a citrus-based degreaser and a nylon scrubbing brush.
3. Rinse clean with water.
4. Allow to air dry.

Cleaning Main Burner

1. **LP:** Turn LP gas tank valve to “CLOSED.”
NG: Turn natural gas main valve to “OFF.”
2. Turn all control knobs clockwise to the “ OFF” position.
Note: A “poof” sound is normal as the last of the gas is burned.
3. **LP:** Disconnect LP gas tank per “Disconnecting LP Gas Tank” section.
NG: Disconnect main gas line per “Disconnecting Natural Gas Line” section.
4. Remove cooking grids and heat plates.
5. Remove burners by removing the fasteners, which secure the burners to the grill bottom.
6. Lift burners up and away from gas valve orifice.
7. Disconnect wire from spark electrode.
8. Clean venturi of each burner with small bottle brush or compressed air.
9. Remove all food residue and dirt on burner surfaces.
10. Clean any clogged ports with a stiff wire (such as an opened paper clip).
11. Inspect burners for any damage (cracks or holes). If damage is found, replace with new burner(s) from manufacturer.
12. Reinstall burners, checking to insure that gas valve orifice is correctly positioned inside each burner venturi. Also, check position of spark electrode.
13. Replace heat plate(s) and cooking grid(s).
14. **LP:** Connect LP gas tank per “Installing LP Gas Tank” section.
NG: Connect NG main line per “Installing Natural Gas Line” section.
15. Perform leak test per “Checking for Leaks” section.

Cleaning Surfaces

1. **LP:** Turn LP gas tank valve to “CLOSED.”
NG: Turn natural gas main valve to “OFF.”
2. Turn all control knobs clockwise to the “ OFF” position.
Note: A “poof” sound is normal as the last of the gas is burned.
3. **LP:** Disconnect LP gas tank per “Disconnecting LP Gas Tank” section.
NG: Disconnect main gas line per “Disconnecting Natural Gas Line” section.
4. Clean all surfaces.
5. Lightly coat the burner(s) and cooking grid(s) with cooking oil to prevent excess rusting.
6. If storing the grill indoors, disconnect the LP tank per “Disconnecting LP Gas Tank” section.
7. Place the protective cap cover on the LP tank and store the tank outdoors in a well-ventilated area out of direct sunlight.
8. If storing the grill indoors, cover the grill and store in a cool dry place.
9. If storing the grill outdoors, cover the grill with a grill cover for protection from the weather.

Limited Warranty

RevoAce Inc. Limited (“RA”) warrants to the original retail purchaser of this product, and to no other person, that if this product is operated in accordance with the printed instructions accompanying it, then for a period of five (5) years for the burners and for one (1) year for the grill body, from the date of purchase, all parts in such product shall be free from defects in material and workmanship. RA may require proof of purchase. Therefore, you should retain your sales slip or invoice. This Limited Warranty shall be limited to the repair or replacement of defective under normal use and service and which RA shall determine in its reasonable discretion upon examination to be defective. You should contact RA’s Customer Care Department using the contact information listed below. If RA conforms, after examination, to the Limited Warranty in any returned part, and if RA approves the claim, RA will replace such defective part without charge. If you return a part for repair, charges must be prepaid by you. RA will return replacement parts to the original retail purchaser, freight or postage prepaid. This warranty does not cover any failures or operating difficulties due to accident, abuse, misuse, alteration, misapplication, improper installation or improper use by any third party, or failure to perform normal and routine maintenance on the product as set out in this owner’s manual. In no event shall RA cover damage to the finish, such as scratches, dents, discoloration, rust or other weather damage, after purchase.

Troubleshooting

Problem	Possible Cause	Prevention
Burner will not light using ignitor	LP gas tank valve is closed NG main valve is closed	LP: Make sure regulator is securely attached to the "LP Gas Tank," then turn LP gas tank valve to "ON." NG: Make sure regulator and NG main valve are both turned to "ON," then turn NG main valve to "ON Natural Gas Line," then turn NG main valve to "ON."
	LP gas tank is low or empty	Exchange, refill or replace LP gas tank
	LP gas / NG leak	<ol style="list-style-type: none"> LP: Turn LP gas tank valve to "CLOSED" NG: Turn natural gas main valve to "OFF" Wait 5 minutes for gas to clear Follow "Checking for Leaks" section
	Battery needs to be changed	Replace the "AA" battery (follow assembly instructions)
	Wires or electrode covered with cooking residue	Clean wire and/or electrode with rubbing alcohol
	Electrode and burners are wet	Wipe dry with cloth
	Electrode cracked/broken - sparks at crack	Replacement part(s) may be needed - see page 10
	Wire loose or disconnected	Reconnect wire or replacement part(s) at 1.800.694.0013
	Wire is shorting (sparking) between ignitor and electrode Bad ignitor	Replacement part(s) may be needed - see page 10
Burner will not light with match	No gas flow	LP: Check if LP gas tank is empty A. If empty, exchange, refill or replace LP gas tank B. If LP gas tank is not empty, refer to "Checking for Leaks" section for "flame height" (see below) NG: Check if NG main valve is connected to the wall A. Make sure regulator and NG main valve are both turned to "ON" and main valve to "OPEN" B. If NG main valve is "ON," then refer to "Checking for Leaks" section for "flame height" (see below)
	LP gas tank is low or empty	Exchange, refill or replace LP gas tank
	LP gas / NG leak	<ol style="list-style-type: none"> LP: Turn LP gas tank valve to "CLOSED" NG: Turn natural gas main valve to "OFF" Wait 5 minutes for gas to clear Follow "Checking for Leaks" section
	Coupling nut and regulator not fully connected	Turn the coupling nut about one-half turn to stop. Tighten by hand only - do NOT use a wrench.
	Obstruction of gas flow	<ol style="list-style-type: none"> Clear burner tubes Check for bent or kinked hose
	Disengagement of burner to valve	Reengage burner and valve
	Spider webs or insect nest in venturi Burner ports clogged or blocked	Clean burner/venturi tube Clean burner ports
Sudden drop in gas flow or reduced flame height	LP: Out of gas	Exchange, refill or replace LP gas tank
	NG: No main line pressure	Call your natural gas provider to inspect
	LP: Overfilling prevention device may have been activated	<ol style="list-style-type: none"> Turn control knobs to "OFF" Wait 30 seconds and light grill If flames are still too low, reset the overfilling prevention device: <ol style="list-style-type: none"> Turn control knob(s) "OFF" Turn LP gas tank valve to "CLOSED" Disconnect regulator Turn control knobs to (HIGH) Wait 1 minute Turn control knobs to "OFF" Reconnect regulator and leak check fully open valve Light grill per "Lighting" section
Irregular flame pattern, flame does not run the full length of burner	Burner ports are clogged or blocked	Clean burner ports
Flame is yellow or orange	New burner may have residual manufacturing oils	Burn grill for 15 minutes on (HIGH)
	Spider webs or insect nest in venturi	Clean venturi
	Food residue, grease, etc. on burners	Clean burner