

This Owner's Manual is provided and hosted by [Appliance Factory Parts](#).



# Backyard Grill GBT1424WRS-C Owner's Manual

[Shop genuine replacement parts for Backyard Grill  
GBT1424WRS-C](#)

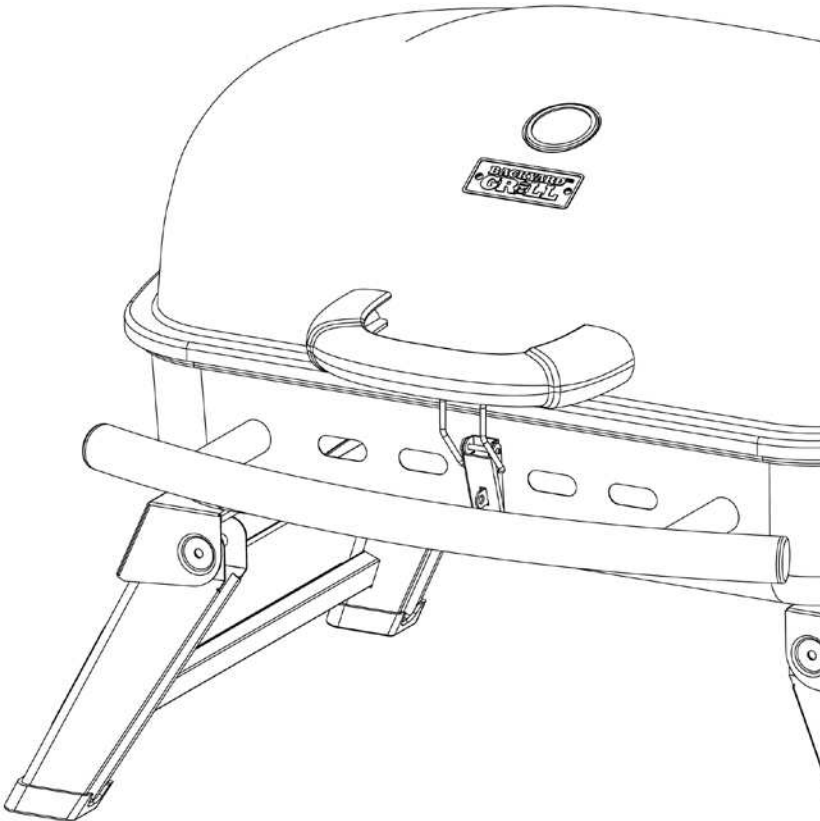


[Find Your Backyard Grill Grill Parts - Select From 50 Models](#)


----- Manual continues below -----

# Outdoor LP Gas Barbecue G

Model No. GBT1424WRS-C



 **WARNING**  
FOR YOUR SAFETY:  
For Outdoor Use Only  
(outside any enclosure)

 **WARNING**  
FOR YOUR SAFETY:

1. Improper installation, adjustment, alteration, service or maintenance can cause injury or property damage.
2. Read the installation, operation, and maintenance instructions thoroughly before installing or servicing this equipment.
3. Failure to follow these instructions could result in fire or explosion, which could cause property damage, personal injury, or death.
4. This instruction manual contains Important information necessary for the proper assembly and safe use of the appliance.
5. Read and follow all warnings and instructions before assembling and using the appliance.
6. Follow all warnings and instructions when using the appliance.
7. Keep this manual for future reference.

 **DANGER**

**Table of Contents**

- Important Safeguards . . . . .
- Expanded View & Hardware . . . . .
- Assembly Instructions . . . . .
- Operating Instructions . . . . .
- Cleaning and Care . . . . .
- Product Registration . . . . .
- Replacement Parts . . . . .
- Limited Warranty . . . . .
- Troubleshooting . . . . .

The use and installation must conform with local codes or, in the absence of local codes, with the National Fire Protection Association (NFPA) 54 National Fuel Gas Code.

## Important Safeguards

- ▲ **DANGER:** Failure to follow the dangers, warnings and cautions in this manual may result in serious bodily injury or death, or causing damage to property.
- ▲ **WARNINGS:**
  - ▲ This grill is for outdoor use only, and should not be used in a building, garage or any other enclosed area.
  - ▲ Do NOT operate, light or use this appliance within ten feet (3.05 m) of walls, structures or buildings.
  - ▲ For residential use only. This grill is NOT for commercial use.
  - ▲ This grill is not intended for and should never be used as a heater. TOXIC fumes can accumulate and cause asphyxiation.
  - ▲ This is NOT a tabletop grill. Therefore, do NOT operate this grill on any type of tabletop surface.
  - ▲ This grill is safety certified for use in the United States and/or Canada only. Do NOT modify for use in any other location. Modification will result in a safety hazard and will void your warranty.
  - ▲ This grill is for use with liquid propane (LP) gas only. The conversion to or attempted use of natural gas in this LP gas grill is dangerous, may cause bodily harm and will void your warranty.
  - ▲ LP gas characteristics:
    - a. LP gas is flammable and hazardous if handled improperly. Become aware of the characteristics before using any LP gas product.
    - b. LP gas is explosive under pressure, heavier than air, and settles and pools in low areas.
    - c. LP gas in its natural state has no odor. For your safety, an odorant is added that smells like rotten cabbage.
    - d. Contact with LP gas can cause freeze burns to skin.
  - ▲ Apartment dwellers: Check with management to learn the requirements and fire codes for using a LP gas grill in your apartment complex. If allowed, use outside on the ground floor with a ten foot (3.05 m) clearance from any structure. Do NOT use on or under balconies.
  - ▲ LP gas cylinder needed to operate. Only cylinders marked "propane" may be used.
  - ▲ The LP gas cylinder must be constructed and marked in accordance with the *Specifications for LP-gas Cylinders* of the U.S. Department of Transportation (D.O.T.), *Cylinders, Spheres and Tubes for the Transportation of Dangerous Goods*; or the National Standard of Canada, *CAN/CSA-B339*.
  - ▲ LP gas cylinder must be arranged for vapor withdrawal.
  - ▲ Dented or rusted LP gas cylinders may be hazardous and should be checked by your LP gas supplier prior to use.
  - ▲ The LP gas cylinder should not be dropped or handled roughly.
  - ▲ LP gas cylinders must be stored outdoors out of the reach of children and must not be stored in a building, garage or any other enclosed area. Your cylinder must never be stored where temperatures can reach over 120°F.
- ▲ Check for leaks even if your unit was a new unit.
- ▲ Do NOT operate if a gas leak is present or if you suspect a gas explosion.
- ▲ You must follow all instructions in the manual before operating. To prevent a fire or explosion, always check for a leak:
  - a. Always perform a leak test before lighting the grill. The cylinder is connected for use.
  - b. No smoking. Do NOT use or permit open flames while conducting a leak test.
  - c. Conduct the leak test outdoors in a well-ventilated area.
  - d. Do NOT use matches, lighters, or a flame to check for leaks.
  - e. The use of alcohol, prescription or over-the-counter drugs may impair the consumer's ability to properly operate the appliance.
  - f. Strong odors, colds, sinus congestion, or other conditions may mask the detection of propane. Use caution and check for leaks.
  - g. Do NOT use grill until any and all leaks are repaired. If unable to stop a leak, disconnect the grill and call a local appliance serviceman or your local propane supplier.
- ▲ Do NOT store or use gasoline or other flammable liquids within 25 feet (7.62 m) of this appliance.
- ▲ Do NOT use in an explosive atmosphere. Keep away from combustibles, gasoline and other flammable liquids.
- ▲ Minimum clearance from sides and back of grill to any construction is 36 inches (91.4 cm). Do NOT use under any type of overhang or roof.
- ▲ It is essential to keep the grill's regulator and circulating air passages clean.
- ▲ Inspect grill before each use.
- ▲ Do NOT alter grill in any manner. Any alterations may void the warranty.
- ▲ Do NOT use the grill unless it is COMPLETELY assembled. All parts are securely fastened and tightened.
- ▲ This grill should be thoroughly cleaned after each use on a regular basis.
- ▲ Clean and inspect the hose before each use. If there is evidence of abrasion, wear, cuts or leaks, replace the hose prior to operation.

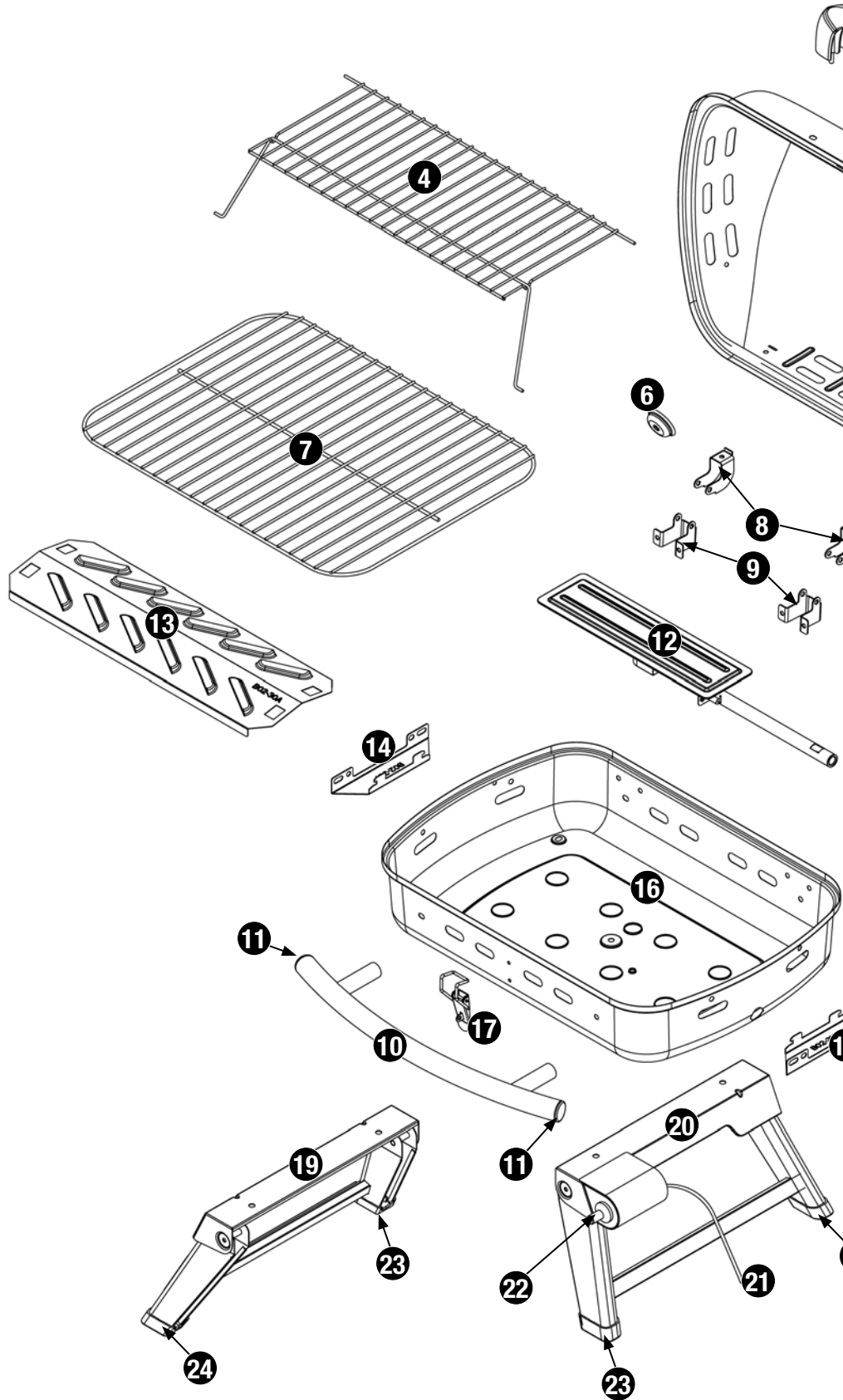
- ▲ **Move gas hoses as far away as possible from hot surfaces and dripping hot grease.**
- ▲ **Do NOT use grill in high winds.**
- ▲ **Never lean over the grill when lighting.**
- ▲ **Do NOT leave a lit grill unattended. Keep children and pets away from grill at all times.**
- ▲ **Do NOT leave grill unattended while preheating or burning off food residue on high. If grill has not been cleaned, a grease fire can occur that may damage the product.**
- ▲ **Do NOT place empty cooking vessels on the appliance while in operation.**
- ▲ **Use caution when placing anything on the grill while the appliance is in operation.**
- ▲ **Do NOT attempt to move grill when in use. Allow the grill to cool before moving or storing.**
- ▲ **LP gas cylinder must be properly disconnected and removed prior to moving this grill.**
- ▲ **Storage of grill indoors is permissible only if the cylinder is disconnected, removed from the grill and properly stored outdoors.**
- ▲ **Always open grill lid carefully and slowly as heat and steam trapped within grill can cause severe burns.**
- ▲ **Do NOT attempt to disconnect the gas regulator from the cylinder or any gas fitting while the grill is in use.**
- ▲ **Disconnect LP gas tank when not in use.**
- ▲ **Always place your grill on a hard, non-combustible, level surface. An asphalt or blacktop surface may not be acceptable for this purpose.**
- ▲ **Do NOT use directly on wooden decks.**
- ▲ **Move gas hoses as far away as possible from hot surfaces and dripping hot grease.**
- ▲ **Keep all electrical cords away from a hot grill.**
- ▲ **After a period of storage and/or non-use, check for leaks, burner obstructions and inspect for any abrasion, wear or cuts to the hose.**
- ▲ **Failure to open lid while igniting the grill's burner(s), or not waiting five minutes to allow the gas to clear if the grill does not light, may result in an explosive flame-up.**
- ▲ **Never operate grill without its heat plates installed.**
- ▲ **Always use a meat thermometer to ensure food is cooked to a safe temperature.**
- ▲ **Use protective gloves when assembling this product.**
- ▲ **Do NOT force parts together as this can result in personal injury or damage to the product.**
- ▲ **Never cover entire cooking area with aluminum foil.**
- ▲ **Deaths, serious injury or damage to property may occur if the above is**

## Parts List

<b>1</b>	Lid Handle	55-24-155
<b>2</b>	Brand Plate	55-22-270
<b>3</b>	Temperature Gauge	55-24-552
<b>4</b>	Warming Rack	55-09-333
<b>5</b>	Lid	55-24-553
<b>6</b>	Temperature Gauge Support	55-09-378
<b>7</b>	Cooking Grid	55-09-325
<b>8</b>	Top Hinge (2)	55-15-330
<b>9</b>	Bottom Hinge (2)	55-15-329
<b>10</b>	Side Handle (2)	55-24-157
<b>11</b>	Side Handle Cap (4)*	55-24-411
<b>12</b>	Burner	55-24-159
<b>13</b>	Heat Plate	55-09-329
<b>14</b>	Heat Plate Support (2)	55-09-330
<b>15</b>	Bottom Bowl Heat Shield	55-11-348
<b>16</b>	Bottom Bowl	55-24-160
<b>17</b>	Lock	55-09-443
<b>18</b>	Regulator/Control Knob	55-24-411
<b>19</b>	Left Leg Assembly	55-24-169
<b>20</b>	Right Leg Assembly	55-24-554
<b>21</b>	Igniter Wire*	55-24-060
<b>22</b>	Igniter*	55-24-061
<b>23</b>	Foot A (2)*	55-24-164
<b>24</b>	Foot B (2)*	55-24-165

\* Pre-assembled

## Expanded View



## Assembly Instructions

# 1

### DO NOT RETURN TO PLACE OF PURCHASE.

For assistance, call **1.800.762.1142** toll-free. Please have your owner's manual and model number available for reference.

Note: The model number can be found on the back or side of the grill.

#### Assembly Tips:

1. Select an area where you will assemble this product. To protect components, choose a smooth surface that's free of cracks or openings.
2. Spread out all parts.
3. Tighten all hardware connections by hand first. Then, before completing each step, go back and fully tighten all hardware. Be careful not to over-tighten. That could damage surfaces or strip threads.
4. For best results, complete each step in the order presented.

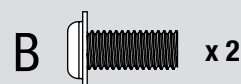
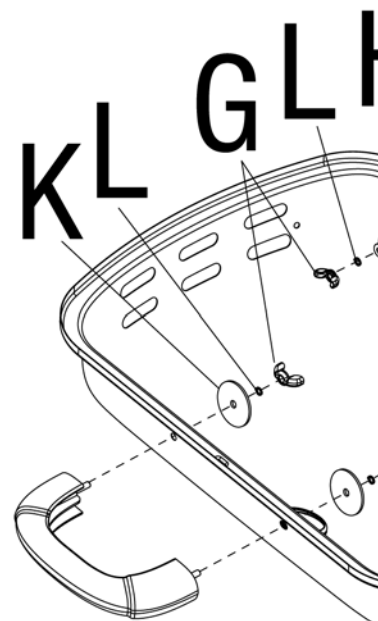
To complete assembly you will need:

- (1) Leak Detection Solution (instructions on how to make solution are included in "Operating Instructions" section).
- (1) 14.1 oz or (1) 16.4 oz LP gas tank (not included).

Typical assembly is approximately 30 minutes.

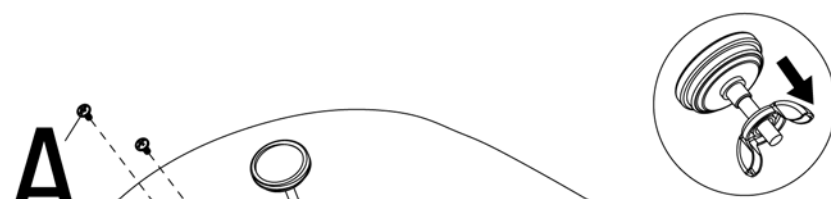
# 2

### Attach Lid Handle and To



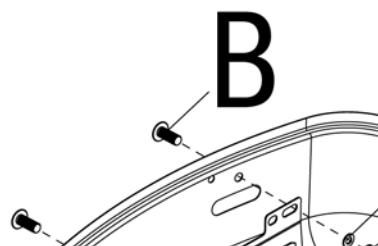
# 3

### Attach Brand Plate and Temperature Gauge



# 4

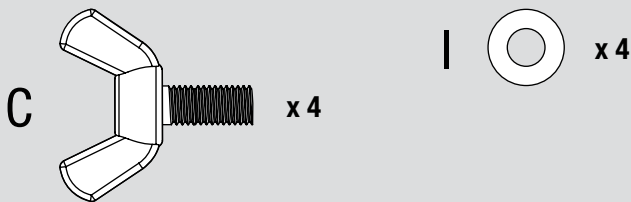
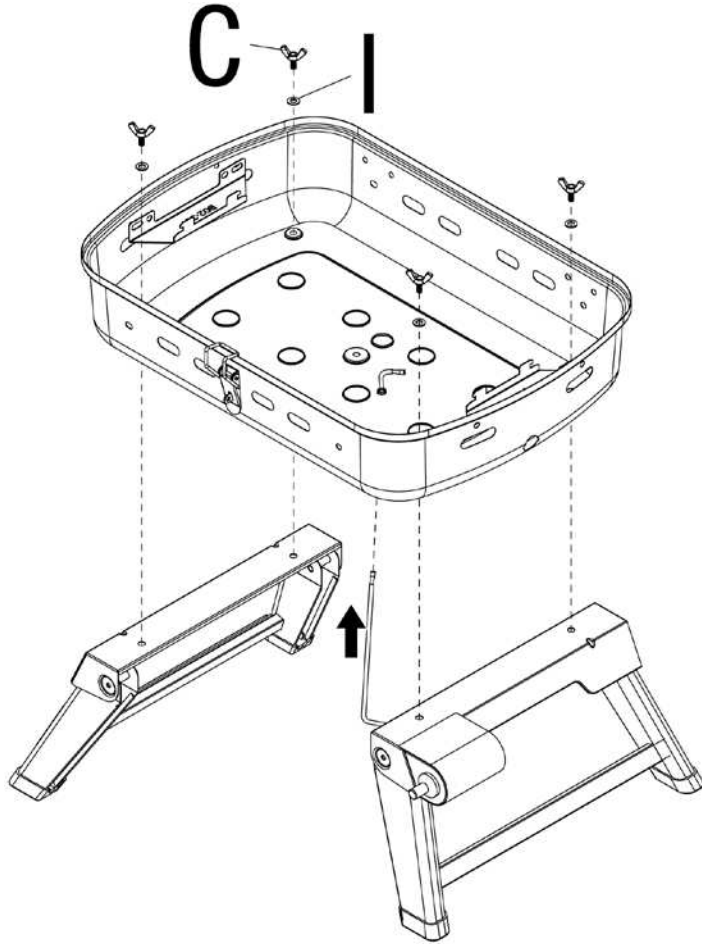
### Attach Heat Plate Support



**Assembly Instructions (continued)**

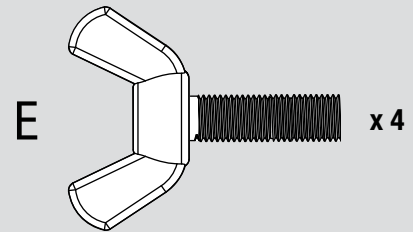
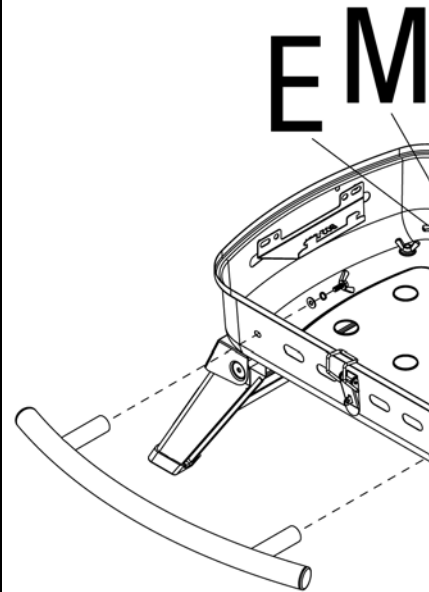
**5**

**Attach Leg Handles**



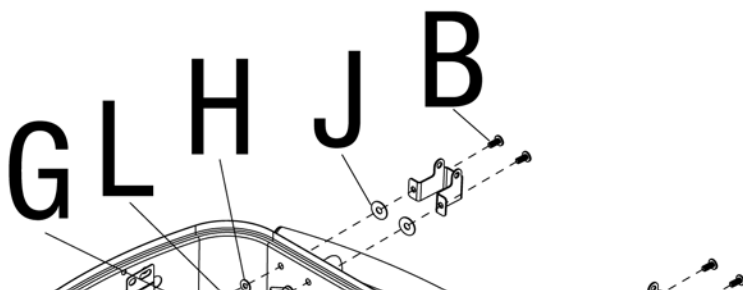
**6**

**Attach Side Handles**



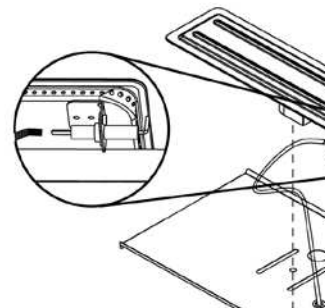
**7**

**Attach Bottom Hinge**



**8**

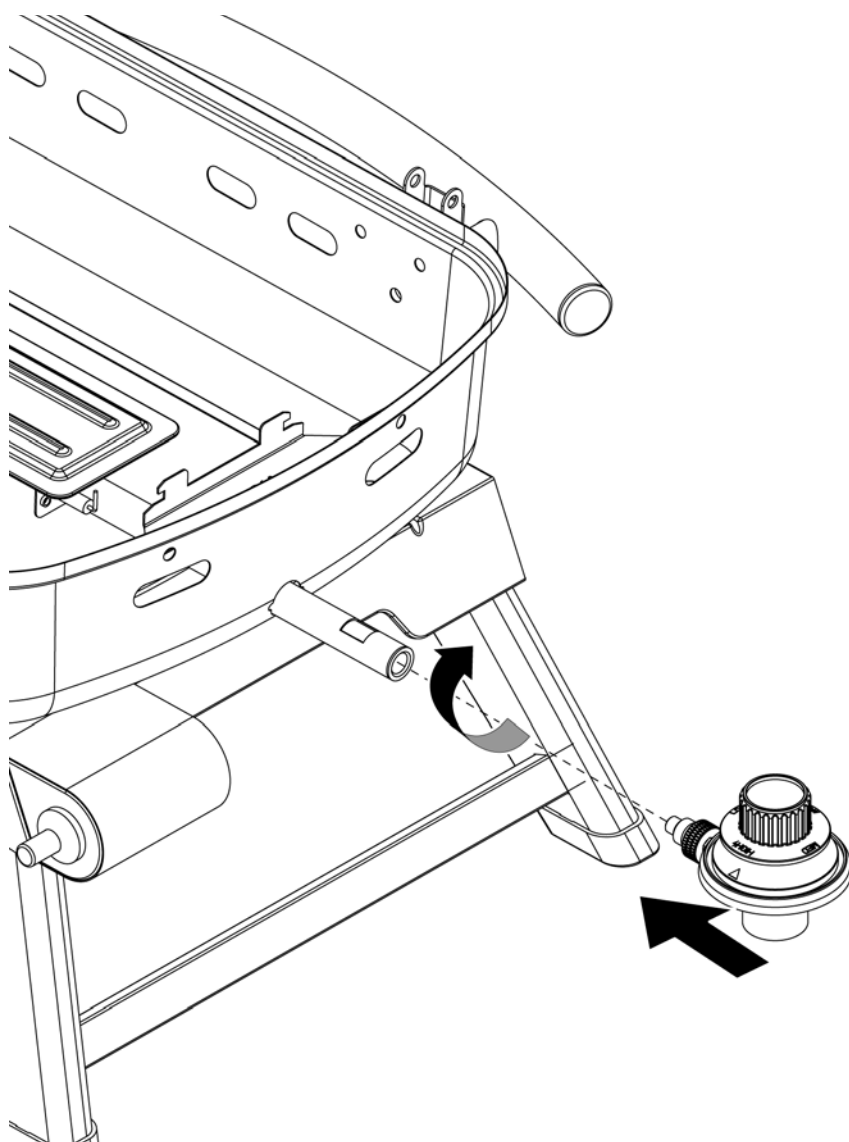
**Attach Bottom Bowl Heat Shield**



9

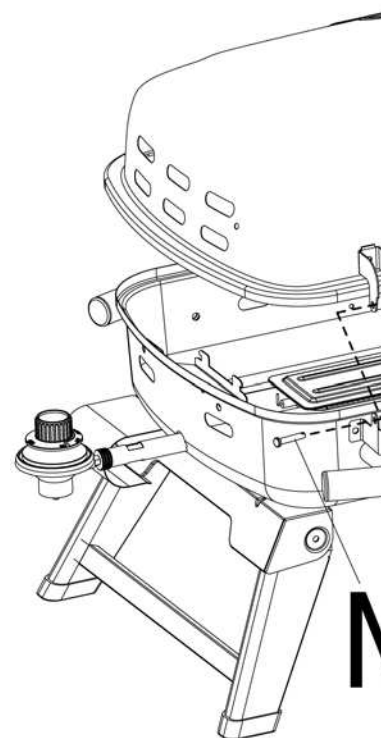
### Attached Regulator/Control Knob

Note: Once attached, the regulator/control valve will freely rotate to accommodate for the LP gas tank.



10

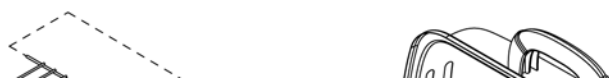
### Attach Lid



N  x 2

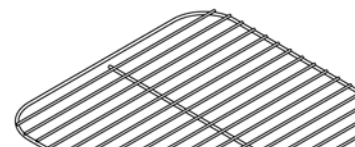
11

### Insert Warming Rack



12

### Insert Heat Plate and Cool

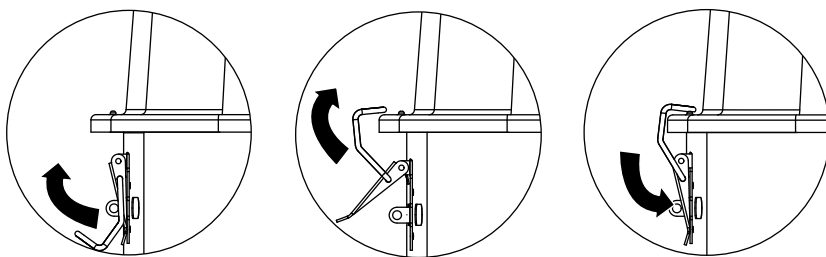


## Assembly Instructions (continued)

# 13

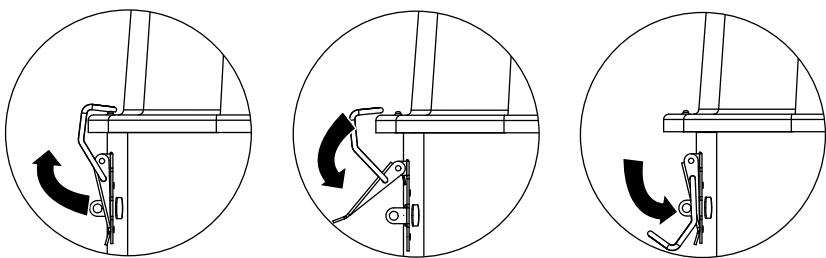
### Lock Lid

Note: Lid must be locked before transporting grill.



### Unlock Lid

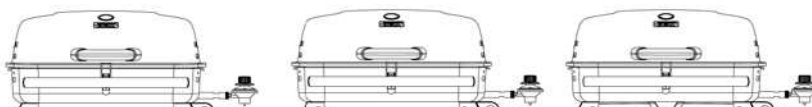
Note: Always unlock and open lid before lighting grill.



# 14

### Fold Up Legs

Note: Always lock lid before folding legs.



## Operating Instructions

This grill is designed to operate with a 1 lb. 7.75 in. or 10.6 in. high disposable / 16.4 oz. or 14.1 oz. propane gas tank (DOT 39 Cylinder) (Figure 1).

**DO NOT ATTEMPT TO REFILL ANY 1 lb. (16.4 oz. or 14.1 oz.) PROPANE GAS TANKS!**

### Connecting LP Gas Tank

Only cylinders marked “propane” may be used.

Note: 1 lb cylinders may form frost when near empty.

1. Make sure the regulator/control knob is in the “OFF” position (Figure 2).
2. Lubricate the threads of the regulator/control knob with petroleum jelly. Line up threads on LP gas tank with regulator/control knob.
3. Insert and rotate LP gas tank clockwise until they fit snugly together. **HAND TIGHTEN ONLY.** Be careful not to crossthread when screwing in tank (Figure 3).
4. Perform leak test per “Checking for Leaks” section.

### Disconnecting LP Gas Tank

1. Turn the regulator/control knob to the “OFF” position (Figure 2).
2. Rotate LP gas tank counterclockwise until it is detached (Figure 4).
3. Store the LP gas tank in a proper location, per instructions on the LP gas tank.

### Checking for Leaks

#### Burner Connections

1. Make sure the regulator/control knob is securely fastened to the burner.

Note: The brass nut should be  $\frac{1}{4}$  to  $\frac{1}{2}$  turn past tight. The regulator will rotate 360° even when the brass nut is tightened.

If your unit was assembled for you, visually check the connection between the burner and regulator/control knob (Figure 5).

**⚠ WARNING: Failure to inspect this connection or follow these instructions could cause a fire or an explosion which can cause death, serious bodily injury or damage to property.**

2. If the burner and regulator/control knob do not fit properly or if you have any questions, please contact 1.800.762.1142 for assistance.

#### Tank/Gas Line Connection

1. Make 2-3 oz. of leak detection solution by mixing one part liquid dishwashing soap with three par

- ⚠ **CAUTION: Check and clean burner/venturi tubes for insects and insect nests. A clogged tube can lead to a fire.**
- ⚠ **CAUTION: Attempting to light the burner with the lid closed may cause an explosion.**
- ⚠ **CAUTION: Always open legs completely and secure in place before opening lid or lighting grill.**

1. Open lid.
2. Check for obstructions of airflow to the burners. Spiders, insects and webs can clog the burner/venturi tube. A clogged burner/venturi tube can lead to a fire.
3. Connect LP gas tank per “Connecting LP Gas Tank” section.
4. Turn the control knob to 🔥 (HIGH).
5. Press the igniter button quickly 3 to 4 times to light burner.
6. If ignition does not occur in 5 seconds, turn regulator/control knob to “🔒 OFF” position, wait 5 minutes and repeat lighting procedure.
7. If igniter does not light burner, use a lit match to light burner manually. Access the burner through the hole in bottom bowl or side as indicated (Figure 6). Turn the regulator/control knob to 🔥 (LOW) and position the lit match near side of the burner.
8. After lighting, observe the burner flame. Make sure all burner ports are lit and flame height matches illustration (Figure 7).

Figure 6

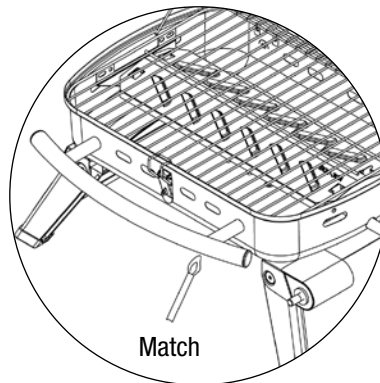
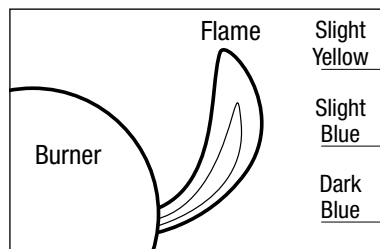


Figure 7



- ⚠ **Caution: If burner flame goes out during operation, immediately turn the regulator/control knob “🔒 OFF” and open lid to let the gas clear for 5 minutes before re-lighting.**

## Turning Off

1. Turn regulator/control knob to the “🔒 OFF” position (Figure 2).  
Note: A “poof” sound is normal as the last of the LP gas is burned.
2. Disconnect LP gas tank per “Disconnecting LP Gas Tank” section.

## Cooking

- ⚠ **CAUTION: Do NOT leave grill unattended while preheating or burning off food residue on 🔥 (HIGH). If grill has not been cleaned, a grease fire can occur.**

1. Open lid and ignite the side burner per “Lighting Instructions” section.
2. Close lid and preheat grill on 🔥 (HIGH).
3. Adjust regulator/control knob to desired flame height.
4. Wear protective gloves and use long handle tongs to place food onto cooking grids above the lit burner.
5. With lid open or closed, cook until desired internal food temperatures are achieved.
6. Turn grill off per “Turning Off” section.

## Controlling Flare-ups

## Cleaning and Care

- ⚠ **CAUTION:**
  1. All cleaning and maintenance and with the fuel supply disconnected.
  2. Do NOT clean any grill part in heat will damage the finish.
  3. Do NOT enlarge valve orifices valves or burners.

## Notices

1. This grill should be thoroughly cleaned.
2. Abrasive cleaners will damage this product.
3. Never use oven cleaner to clean any part.

## Before Each Use

1. Keep the grill area clean and free from any combustible materials, gasoline, and other flammable vapors and liquids.
2. Do NOT obstruct the flow of the combustion gas and the ventilation of air.
3. Keep the ventilation opening(s) of the LP gas area free and clear from debris.
4. Visually check the burner flames to make sure your grill is working properly (Figure 8).
5. See below for proper cleaning instructions.
6. Check for obstructions of airflow to the burner. Spiders, insects and webs can clog the burner/venturi tube. A clogged burner/venturi tube can lead to a fire.

## Cleaning Surfaces

1. Wipe surfaces clean with mild dishwashing detergent or baking soda mixed with water.
2. For stubborn surfaces, use a citrus-based degreaser and a nylon scrubbing brush.
3. Rinse clean with water.
4. Allow to air dry.

## Cleaning Main Burners

1. Turn regulator/control knob to “🔒 OFF.”  
Note: A “poof” sound is normal as the last LP gas is burned.
2. Disconnect LP gas tank per “Disconnecting LP Gas Tank” section.
3. Remove regulator/control knob and wind gasket.
4. Remove cooking grid and heat plate.
5. Disconnect wire from igniter, if applicable.
6. Remove burner.
7. Remove all food residue and dirt from burner.
8. Disconnect wire from spark electrode.
9. Clean inlet of burner with small bottle brush.



## Product Registration

For faster warranty service, register your product immediately at [BlueRhino.com/warranty](http://BlueRhino.com/warranty) or call 1.800.762.1142.

## Replacement Parts

Replacement parts can be found at [parts.BlueRhino.com](http://parts.BlueRhino.com) or call 1.800.762.1142.

## Limited Warranty

Blue Rhino Global Sourcing, Inc. ("Blue Rhino") warrants to the original retail purchaser of this product, and to no other person, that if this product is assembled, maintained, and operated in accordance with the printed instructions accompanying it, then for a period of one (1) year from the date of purchase, all parts in such product shall be free from defects in material and workmanship. Blue Rhino may require reasonable proof of your date of purchase. Therefore, you should retain your sales slip or invoice. This Limited Warranty shall be limited to the repair or replacement of parts, which prove defective under normal use and service and which Blue Rhino shall determine in its reasonable discretion upon examination to be defective. Before returning any parts, you should contact Blue Rhino's Customer Care Department using the contact information listed below. If Blue Rhino confirms, after examination, a defect covered by this Limited Warranty in any returned part, and if Blue Rhino approves the claim, Blue Rhino will replace such defective part without charge. If you return defective parts, transportation charges must be prepaid by you. Blue Rhino will return replacement parts to the original retail purchaser, freight or postage prepaid.

This Limited Warranty does not cover any failures or operating difficulties due to accident, abuse, misuse, alteration, misapplication, improper installation or improper maintenance or service by you or any third party, or failure to perform normal and routine maintenance on the product as set out in this owner's manual. In addition, the Limited Warranty does not cover damage to the finish, such as scratches, dents, discoloration, rust or other weather damage, after purchase.

This Limited Warranty is in lieu of all other express warranties. Blue Rhino disclaims all warranties for products that are purchased from sellers other than authorized retailers or distributors, including the warranty of merchantability or the warranty of fitness for a particular purpose. Blue Rhino ALSO DISCLAIMS ANY AND ALL IMPLIED WARRANTIES, INCLUDING WITHOUT LIMITATION THE IMPLIED WARRANTIES OF MERCHANTABILITY AND FITNESS FOR A PARTICULAR PURPOSE. Blue Rhino SHALL HAVE NO LIABILITY TO PURCHASER OR ANY THIRD PARTY FOR ANY SPECIAL, INDIRECT, PUNITIVE, INCIDENTAL, OR CONSEQUENTIAL DAMAGES. Blue Rhino further disclaims any implied or express warranty of, and assumes no responsibility for, defects in workmanship caused by third parties.

This Limited Warranty gives the purchaser specific legal rights; a purchaser may have other rights depending upon where he or she lives. Some jurisdictions do not allow the exclusion or limitation of special, incidental or consequential damages, or limitations on how long a warranty lasts, so the above exclusion and limitations may not apply to everyone.

Blue Rhino does not authorize any person or company to assume for it any other obligation or liability in connection with the sale, installation, use, removal, return, or replacement of its equipment, and no such representations are binding on Blue Rhino.

Blue Rhino Global Sourcing, Inc.  
Winston-Salem, North Carolina 27105 USA  
1.800.762.1142

## Troubleshooting

Problem	Possible Cause	Prevention/Cure
Burner will not light using igniter (if included)	LP gas tank is low or empty	Replace LP gas tank
	LP gas leak	1. Turn LP gas tank valve to "OFF" 2. Wait 5 minutes for gas to clear 3. Follow "Checking for Leaks"
	Wires or electrode covered with cooking residue	Clean wire and/or electrode with
	Electrode and burners are wet	Wipe dry with cloth
	Electrode cracked or broken - sparks at crack	Replacement part(s) may be needed
	Wire loose or disconnected	Reconnect wire or replacement part at 800.762.1142
	Wire is shorting (sparking) between igniter and electrode	Replacement part(s) may be needed
Burner will not light with match	Bad igniter	Replacement part(s) may be needed
	No gas flow	Check if LP gas tank is empty A. If empty, replace B. If LP gas tank is not empty, reduce flame height" below
	LP gas tank is low or empty	Replace LP gas tank
	LP gas leak	1. Turn LP gas tank valve to "OFF" 2. Wait 5 minutes for gas to clear 3. Follow "Checking for Leaks"
	Coupling nut and regulator not fully connected	Turning the coupling nut about one solid stop. <b>Tighten by hand only</b>
	Obstruction of gas flow	Clear burner/venturi tube
	Spider webs or insect nest in venturi	Clean burner/venturi tube
Burner ports clogged or blocked	Clean burner ports	
<b>Sudden drop in gas flow or reduced flame height</b>	Out of gas	Replace LP gas tank
<b>Irregular flame pattern – flame does not run the full length of burner</b>	Burner ports are clogged or blocked	Clean burner ports
Flame is yellow or orange	New burner may have residual manufacturing oils	Operate grill for 15 minutes on flame
	Spider webs or insect nest in burner/venturi tube	Clean burner/venturi tube
	Food residue, grease, etc. on burners	Clean burner
	Poor alignment of valve to burner/venturi tube	Ensure burner/venturi tube is properly
Flame goes out	High or gusting winds	Do not use grill in high winds
	Low on LP gas	Replace LP gas tank
	Overflow valve tripped	Refer to "Sudden drop in gas flow"
Flare-up	Grease buildup	Remove and clean all grill parts per
	Excess fat in meat	Trim fat from meat before grilling
	Excessive cooking temperature	Adjust (lower) cooking temperature
Persistent grease fire	Grease trapped by food buildup around burner system	1. Turn control knob to "OFF" 2. Leave lid in closed position and 3. After grill cools, remove and clean section
Flashback (fire in burner tube(s))	Burner and/or burner tubes are blocked	Clean burner and/or burner/venturi
Inside of lid is peeling (like paint peeling)	Baked on grease buildup has turned to carbon and is flaking off.	Clean all grill parts per "Cleaning

For more assistance, please visit us at [BlueRhino.com](http://BlueRhino.com) or call 1.800.762.1142.

# Barbecue d'extérieur au propane

Modèle n° GBT1424WRS-C



## **AVERTISSEMENT**

**POUR VOTRE SÉCURITÉ:**

Pour usage à l'extérieur seulement  
(hors de tout abri clos)



## **AVERTISSEMENT**

**POUR VOTRE SÉCURITÉ:**

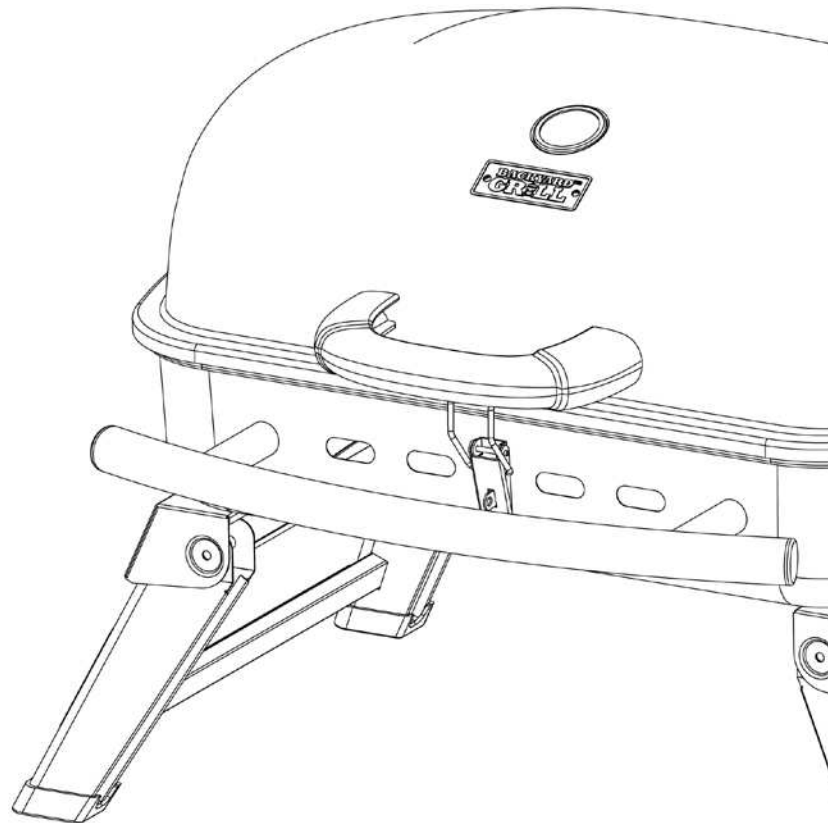
1. Toute installation défectueuse ou modification incorrecte ainsi que tout mauvais réglage ou entretien incorrect risque d'entraîner des blessures ou des dégâts matériels.
2. Lire complètement les instructions d'installation, d'utilisation et d'entretien avant de procéder à la maintenance de l'appareil ou à son entretien.
3. Le non-respect de ces consignes risque de provoquer un incendie ou une explosion et entraîner des dégâts matériels, des blessures graves voire la mort.
4. Cette notice contient des renseignements importants permettant un assemblage adéquat et une utilisation sécuritaire de l'appareil.
5. Lire et suivre toutes les mises en garde et toutes les instructions avant l'assemblage et l'utilisation de l'appareil.
6. Suivre toutes les mises en garde et toutes les instructions lors de l'utilisation de l'appareil.
7. Conserver cette notice pour consultation ultérieure.



## **DANGER**

S'il y a une odeur de gaz:

1. Coupez l'admission de gaz de l'appareil.
2. Éteindre toute flamme nue.



## **Table des matières**

Consignes de sécurité importantes . . . . .	
Vue éclatée des pièces et quincaillerie . . . . .	
Instructions d'assemblage . . . . .	
Fonctionnement . . . . .	
Nettoyage et entretien . . . . .	
Enregistrement de l'appareil . . . . .	
Pièces de rechange . . . . .	
Garantie limitée . . . . .	
Guide de dépannage . . . . .	

L'utilisation et l'installation de cet appareil doivent être conformes à

## Consignes de sécurité importantes

- ▲ **DANGER** : Le non-respect des avis de danger, des mises en garde et des consignes de sécurité de ce manuel risque de provoquer une explosion et d'entraîner des dégâts matériels, des blessures graves voire la mort.
- ▲ **MISES EN GARDE** :
- ▲ Ce barbecue doit être utilisé uniquement à l'extérieur et ne doit pas être utilisé dans un immeuble, un garage ou tout autre espace clos.
- ▲ **NE PAS** utiliser ou allumer cet appareil à moins de 3,05 m (10 pieds) de tout mur, construction ou immeuble.
- ▲ Pour usage domestique seulement. Ce barbecue n'est PAS destiné à un usage commercial.
- ▲ Ce barbecue n'est pas sensé être utilisé pour se chauffer et ne devrait jamais être utilisé en tant que chauffage d'appoint. Des émanations **TOXIQUES** peuvent s'accumuler et provoquer l'asphyxie.
- ▲ Il ne s'agit **EN AUCUN CAS** d'un barbecue de table! Par conséquent, ne jamais placer ce barbecue sur une table quelconque.
- ▲ Ce barbecue est homologué afin de pouvoir être utilisé en toute sécurité uniquement aux États-Unis et au Canada. **NE PAS** modifier le barbecue en vue de l'utiliser autre part. Toute modification présentera un danger pour l'utilisateur et entraînera l'annulation de la garantie.
- ▲ Ce foyer d'extérieur doit être utilisé uniquement avec du propane liquide (GPL). Toute utilisation de gaz naturel avec ce foyer d'extérieur ou tentative de conversion au gaz naturel de ce foyer d'extérieur est dangereuse et entraînera l'annulation de la garantie.
- ▲ **Caractéristiques du propane (GPL)** :
  - a. Le propane est un gaz inflammable et dangereux si ce dernier n'est pas manipulé correctement. Il est indispensable de connaître les dangers encourus avant d'utiliser tout appareil fonctionnant au propane.
  - b. Le propane, qui risque d'exploser sous pression, est plus lourd que l'air, se dépose et demeure au sol.
  - c. Le propane à l'état naturel est inodore. Pour votre sécurité, un odorisant ayant l'odeur de choux avariés a été ajouté.
  - d. Tout contact du propane avec la peau risque d'entraîner des engelures.
- ▲ **Avis aux personnes habitant en appartements** : Vérifier auprès de la gérance pour connaître les conditions requises, la réglementation et le code de prévention des incendies de votre complexe d'habitations collectives concernant l'utilisation d'un barbecue au propane. Si permis, utiliser le barbecue à l'extérieur, en le posant au sol et en laissant une distance de sécurité de 3 m (10 pieds) entre le barbecue et toute structure. **NE PAS** l'utiliser sur ou sous un balcon.
- ▲ Seules les bouteilles marquées « propane » peuvent être utilisées avec ce barbecue.
- ▲ La bouteille de propane doit être fabriquée, marquée et mise en service conformément à la *Réglementation sur les bouteilles de gaz de pétrole liquéfié établie par le Ministère des transports des États-Unis (DOT) ou répondre à la Norme nationale canadienne CAN/CSA-B339 sur les*
  - ▲ Ne jamais garder une bouteille de propane dans le coffre d'une voiture sous une forme qui pourrait provoquer une augmentation de la pression à l'ouverture de la soupape de sécurité et d'entraîner une explosion.
  - ▲ Ne jamais entreposer une bouteille de propane sur un barbecue ou à moins de 7,6 m (25 pieds) d'un bâtiment.
  - ▲ Ne jamais essayer de raccorder ce barbecue à une tente-caravane, autocaravane ou autre structure.
  - ▲ La prise d'alcool, de médicaments ou d'autres substances peut affecter l'aptitude de l'utilisateur à assembler correctement le barbecue et à utiliser le barbecue en toute sécurité.
  - ▲ La présence d'odeurs fortes ou si l'utilisateur a une sinusite risque de nuire à la détection d'une fuite. Exercer la précaution et de bon sens pour détecter une fuite.
  - ▲ Ne jamais utiliser de charbon de bois, de pierres de lave, d'essence, de kerosene ou d'autres combustibles avec ce barbecue.
  - ▲ Votre barbecue a été vérifié en usine afin de s'assurer qu'il ne présente aucune fuite. Vérifier à nouveau les raccords suivant les instructions de fonctionnement. Serrer si possible qu'ils se soient desserrés lors du transport.
  - ▲ Vérifier que l'appareil ne présente aucune fuite avant d'être assemblé pour vous par quelqu'un d'autre.
  - ▲ **NE PAS** utiliser le barbecue en cas de foudre. Il y a un risque de provoquer un incendie ou une explosion.
  - ▲ Il est obligatoire de suivre toutes les précautions de sécurité avant d'utiliser cet appareil. Afin d'éviter une explosion ou d'explosion lorsque l'on recherche une fuite :
    - a. Vérifier que le circuit ne présente pas de fuite. Effectuer le test d'étanchéité « test d'étanchéité » avant d'allumer le barbecue. La bouteille de gaz est branchée afin de vérifier qu'il n'y a pas de fuite.
    - b. Interdiction de fumer. **NE PAS** utiliser de cigarettes à proximité du barbecue lorsque l'on recherche une fuite.
    - c. Effectuer le test d'étanchéité en plaçant une feuille de papier aéré.
    - d. **NE PAS** utiliser d'allumettes, de briquets ou de produits similaires pour rechercher une fuite.
    - e. La prise d'alcool, de médicaments ou d'autres substances peut affecter l'aptitude de l'utilisateur à assembler le barbecue et à utiliser le barbecue en toute sécurité.
    - f. La présence de fortes odeurs, ou si l'utilisateur a une sinusite ou des sinus bouchés, risque de nuire à la détection d'une fuite. Exercer la précaution et de bon sens pour détecter une fuite.

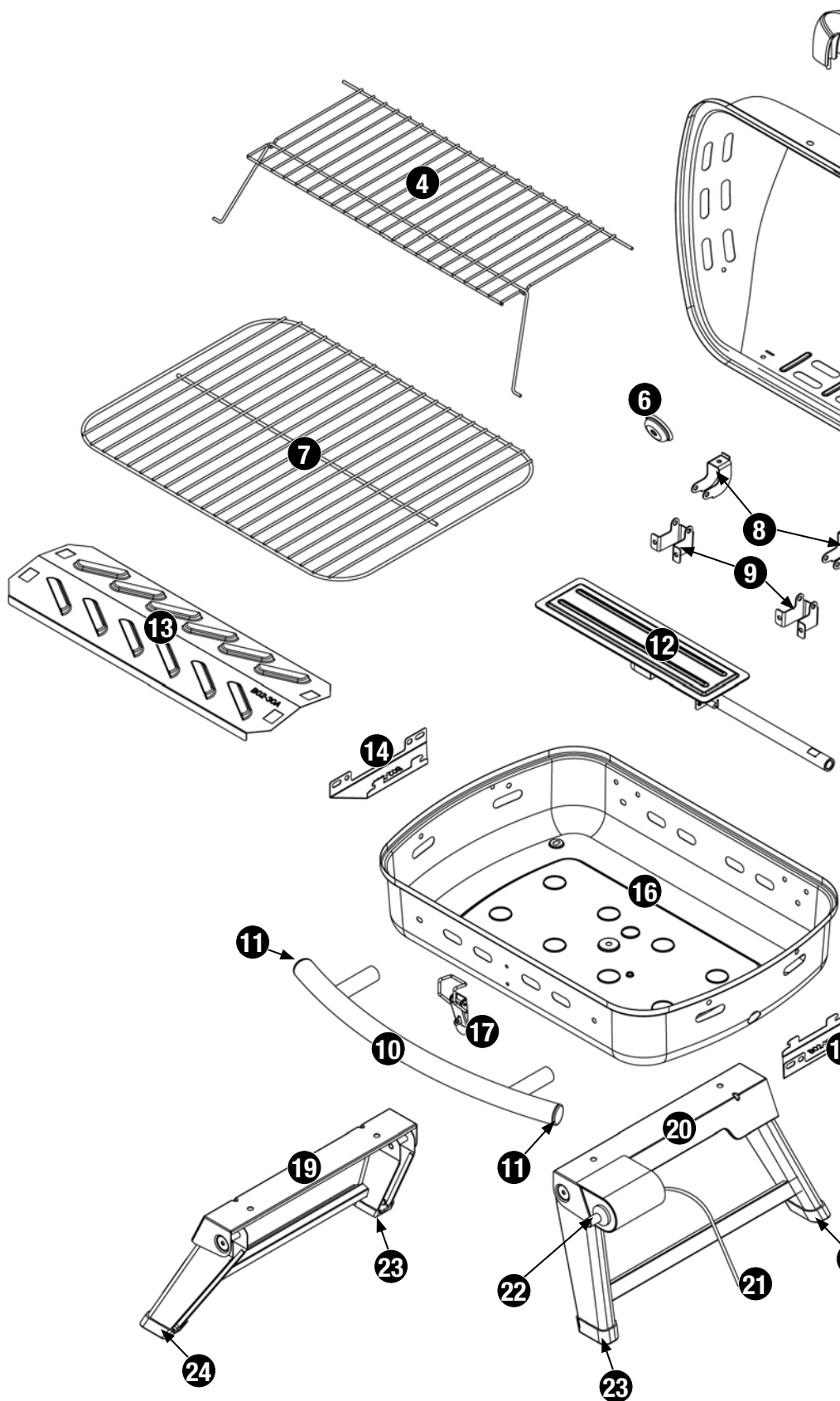
- ▲ **NE PAS** utiliser le barbecue à moins qu'il ne soit **COMPLÈTEMENT** assemblé et que les pièces ne soient toutes fixées et serrées.
- ▲ Ce barbecue doit être vérifié et nettoyé en entier régulièrement. Nettoyer et inspecter le tuyau à chaque fois, avant d'utiliser l'appareil. En cas d'abrasion, d'usure, de coupures ou de fuite, le tuyau doit être remplacé avant d'utiliser cet appareil.
- ▲ Utiliser uniquement le régulateur fourni. Tout régulateur de rechange doit être celui spécifié par Blue Rhino Global Sourcing, Inc.
- ▲ **NE PAS** tenter de réparer ou de modifier le régulateur si l'utilisateur pense avoir « découvert » un dysfonctionnement. Toute modification de cette pièce entraînera l'annulation de la garantie et présentera un risque de fuite de gaz et risquera de provoquer un incendie. Utiliser uniquement des pièces de rechange agréées fournies par le fabricant.
- ▲ Utiliser uniquement des pièces agréées de l'usine Blue Rhino Global Sourcing, Inc. L'emploi de toute pièce non agréée peut être dangereuse et entraînera l'annulation de la garantie.
- ▲ **NE PAS** utiliser cet appareil avant de lire le chapitre « Fonctionnement » de ce manuel.
- ▲ **NE PAS** toucher les pièces métalliques du barbecue avant qu'il n'ait complètement refroidi afin de ne pas se brûler à moins de porter des vêtements de protection (gants, maniques, attirail de barbecue, etc.).
- ▲ **NE PAS** installer ni utiliser cet appareil à bord d'un bateau ou d'un véhicule récréatif.
- ▲ **NE PAS** utiliser le barbecue dans le coffre d'un véhicule, à bord d'une voiture familiale, d'une camionnette, d'une mini-fourgonnette ou d'un véhicule utilitaire sport (VUS).
- ▲ Lors de la cuisson, conserver toujours à portée de main des articles ou matières capables d'éteindre le feu. En cas de feu de graisse, ne pas tenter d'éteindre le feu avec de l'eau. Utiliser un extincteur à poudre BC ou étouffer le feu avec de la terre, du sable ou du bicarbonate de soude.
- ▲ Placer les tuyaux de gaz le plus loin possible des surfaces chaudes et de l'égouttage des graisses brûlantes.
- ▲ **NE PAS** utiliser le barbecue par grand vent.
- ▲ Ne jamais se pencher au-dessus du barbecue pour l'allumer.
- ▲ **NE PAS** laisser un barbecue allumé sans surveillance. Faire en sorte que les enfants et les animaux domestiques et de compagnie se trouvent toujours loin du barbecue.
- ▲ **NE PAS** laisser le barbecue sans surveillance lorsqu'il est en phase de préchauffage ni après la cuisson pour éliminer des résidus de nourriture par chaleur intense avec le brûleur réglé sur « HIGH » (max). Si le barbecue n'est pas nettoyé, un feu de graisse risque de se produire et d'endommager le barbecue.
- ▲ **NE PAS** placer de récipient vide sur le barbecue lorsqu'il est allumé.
- ▲ Faire preuve de précautions au moment de placer quelque chose sur le barbecue lorsqu'il est allumé.
- ▲ **NE PAS** essayer de déplacer le barbecue avant qu'il ne soit complètement refroidi (environ 45 minutes de remisage).
- ▲ La bouteille de propane doit être débranchée avant de déplacer le barbecue.
- ▲ Le remisage du barbecue à l'intérieur d'un garage ou d'un sous-sol, si la bouteille a été débranchée et retirée, doit être entreposée à l'extérieur.
- ▲ Veiller à toujours ouvrir le couvercle du barbecue avec précaution en portant un gant de protection contre la chaleur et la vapeur piégées à l'intérieur du barbecue.
- ▲ **NE PAS** tenter de débrancher le régulateur ou de débrancher une pièce quelconque du barbecue si le barbecue est allumé.
- ▲ Débrancher la bouteille lorsqu'elle est froide.
- ▲ Placer toujours le barbecue sur une surface non combustible. Il est déconseillé de le placer sur du bitume.
- ▲ **NE PAS** utiliser cet appareil directement sur une surface combustible.
- ▲ Placer les tuyaux souples de gaz le plus loin possible des surfaces chaudes et de l'égouttage des graisses brûlantes.
- ▲ Veiller à ce que les câbles et cordons soient toujours loin du barbecue lorsqu'il est allumé.
- ▲ Après une période de remisage ou d'arrêt, attendre une certaine période, s'assurer que les brûleurs ne sont pas bouchés et le tuyau de gaz inspecté pour l'abrasion, l'usure ni les coupures.
- ▲ Le fait de ne pas maintenir le couvercle fermé (ou des) brûleur(s) du barbecue ouvert pendant que le gaz se dissipe au cas où le barbecue est allumé peut provoquer une flambée soudaine et dangereuse.
- ▲ Ne jamais utiliser le barbecue sans la bouteille de propane diffuseurs de chaleur.
- ▲ Veiller à toujours utiliser un thermomètre de cuisson lorsque la nourriture est cuite à une température recommandée.
- ▲ Porter des gants de protection pour manipuler le barbecue.
- ▲ **NE PAS** forcer les pièces les unes contre les autres pour éviter une blessure et éviter d'endommager le barbecue.
- ▲ Ne jamais recouvrir la totalité de la surface du barbecue d'aluminium.
- ▲ Les consignes ci-dessus doivent être lues et respectées. Le non-respect de ces consignes risque de provoquer des blessures graves voire mortelles.

## Liste des pièces

<b>1</b>	Poignée du couvercle	55-24-155
<b>2</b>	Plaque de la marque	55-22-270
<b>3</b>	Indicateur de température	55-24-552
<b>4</b>	Grille de réchauffage	55-09-333
<b>5</b>	Couvercle	55-24-553
<b>6</b>	Support de l'indicateur de température	55-09-378
<b>7</b>	Grille de cuisson	55-09-325
<b>8</b>	Charnière supérieure (2)	55-15-330
<b>9</b>	Charnière inférieure (2)	55-15-329
<b>10</b>	Poignée latérale (2)	55-24-157
<b>11</b>	Bouchon d'extrémité de la poignée latérale (4)*	55-24-411
<b>12</b>	Brûleur	55-24-159
<b>13</b>	Diffuseur de chaleur	55-09-329
<b>14</b>	Support du diffuseur de chaleur (2)	55-09-330
<b>15</b>	Pare-chaaleur de la cuve	55-11-348
<b>16</b>	Cuve du barbecue	55-24-160
<b>17</b>	Verrou	55-09-443
<b>18</b>	Régulateur avec bouton de commande	55-24-411
<b>19</b>	Pieds gauches	55-24-169
<b>20</b>	Pieds droits	55-24-554
<b>21</b>	Fil de l'allumeur*	55-24-060
<b>22</b>	Allumeur*	55-24-061
<b>23</b>	Embout de pied A (2)*	55-24-164
<b>24</b>	Embout de pied B (2)*	55-24-165

\* Prémonté

## Vue éclatée



## Instructions d'assemblage

# 1

### NE PAS RETOURNER AU MAGASIN AVEC CET ARTICLE.

Pour toute assistance technique, appelez le numéro sans frais **1.800.762.1142**. Faites en sorte que votre manuel d'utilisation et le numéro de série soient à portée de main afin de pouvoir vous y référer.

Remarque: le numéro du modèle se trouve au dos ou sur le côté du barbecue.

Pour faciliter l'assemblage:

1. Choisissez l'endroit où vous comptez assembler cet article. Pour éviter de perdre des petites pièces ou la quincaillerie d'installation, assemblez cet article sur une surface plane et lisse qui ne comporte pas de trous ni de fissures.
2. Étalez toutes les pièces et la quincaillerie d'installation.
3. Serrez à la main toute les fixations et la visserie en premier. Une fois l'étape terminée, serrez-les complètement en veillant à ne pas trop les serrer afin d'éviter d'endommager la surface de l'appareil et de fausser le filetage.
4. Suivez toutes les étapes dans l'ordre afin d'assembler correctement cet article.

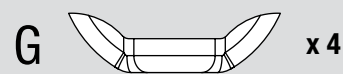
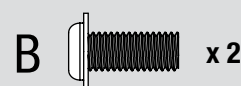
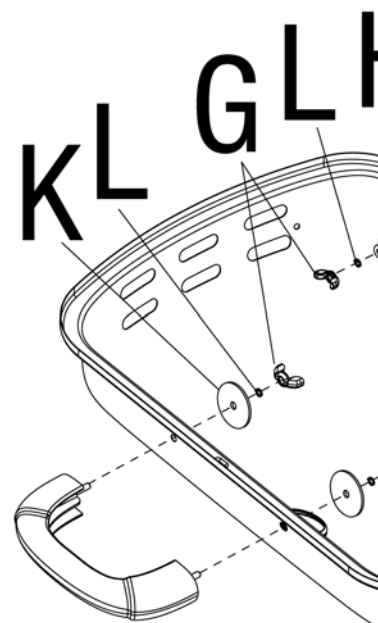
Pour effectuer l'assemblage, vous aurez besoin des choses suivantes:

- une (1) solution de détection de fuites (voir instructions sur la préparation de la solution au chapitre « Fonctionnement »).
- une (1) bouteille de propane de 14,1 onces ou une (1) bouteille de 16,4 onces (1 livre ou approx. 450 g) (non fournis)

Temps d'assemblage: environ 30 minutes.

# 2

### Fixer la poignée du couvercle supérieures



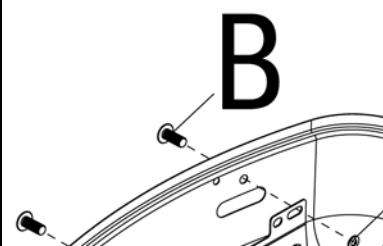
# 3

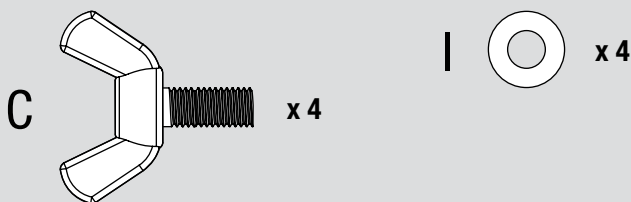
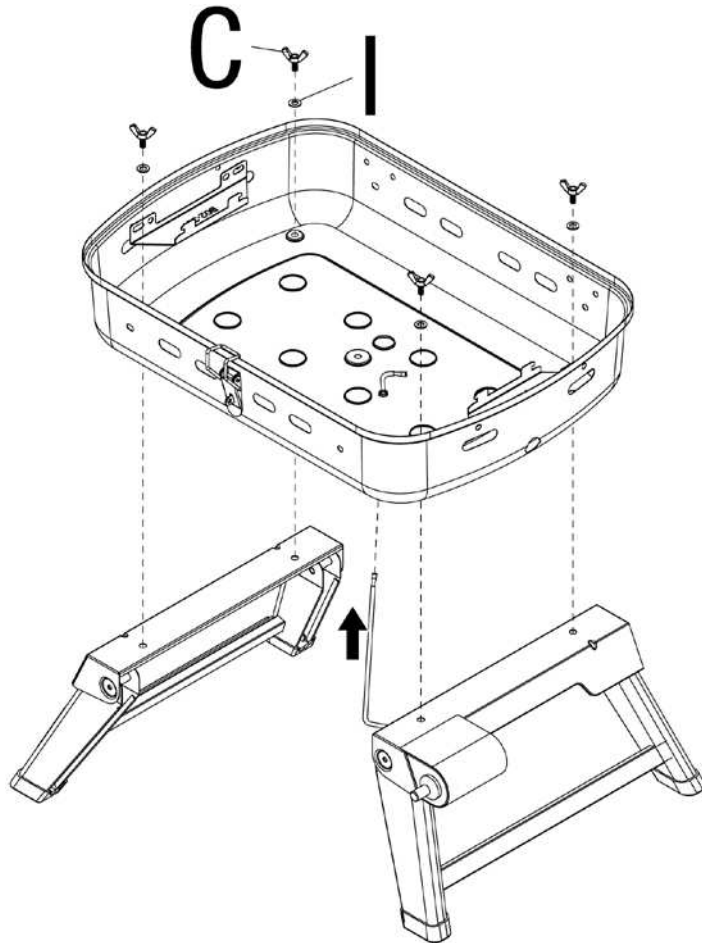
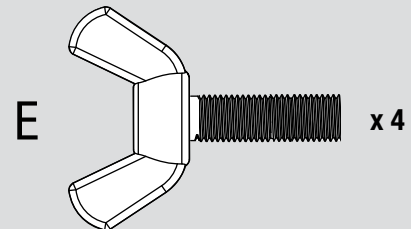
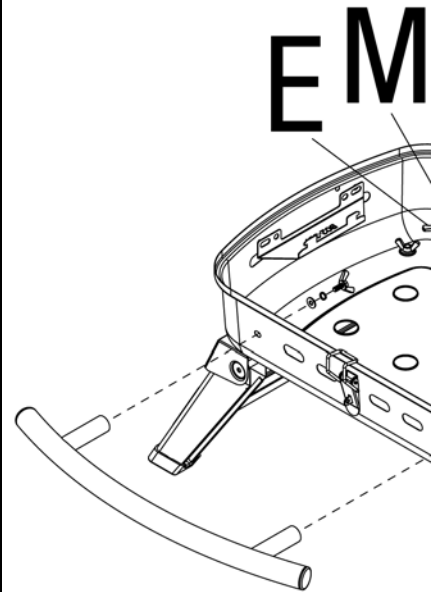
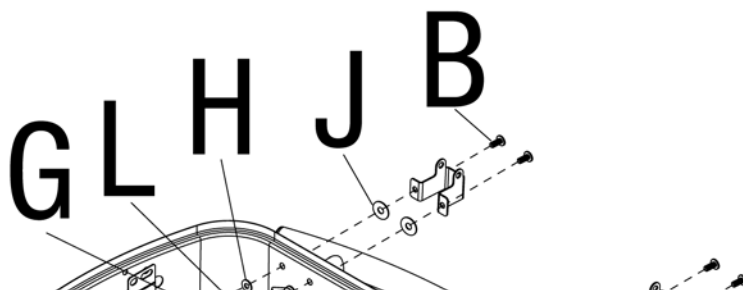
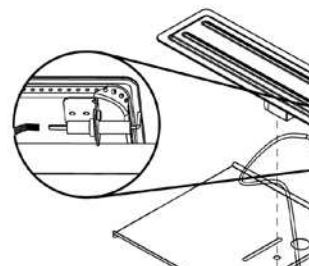
### Fixer la plaque de la marque et l'indicateur de température



# 4

### Fixer les supports du diffuseur

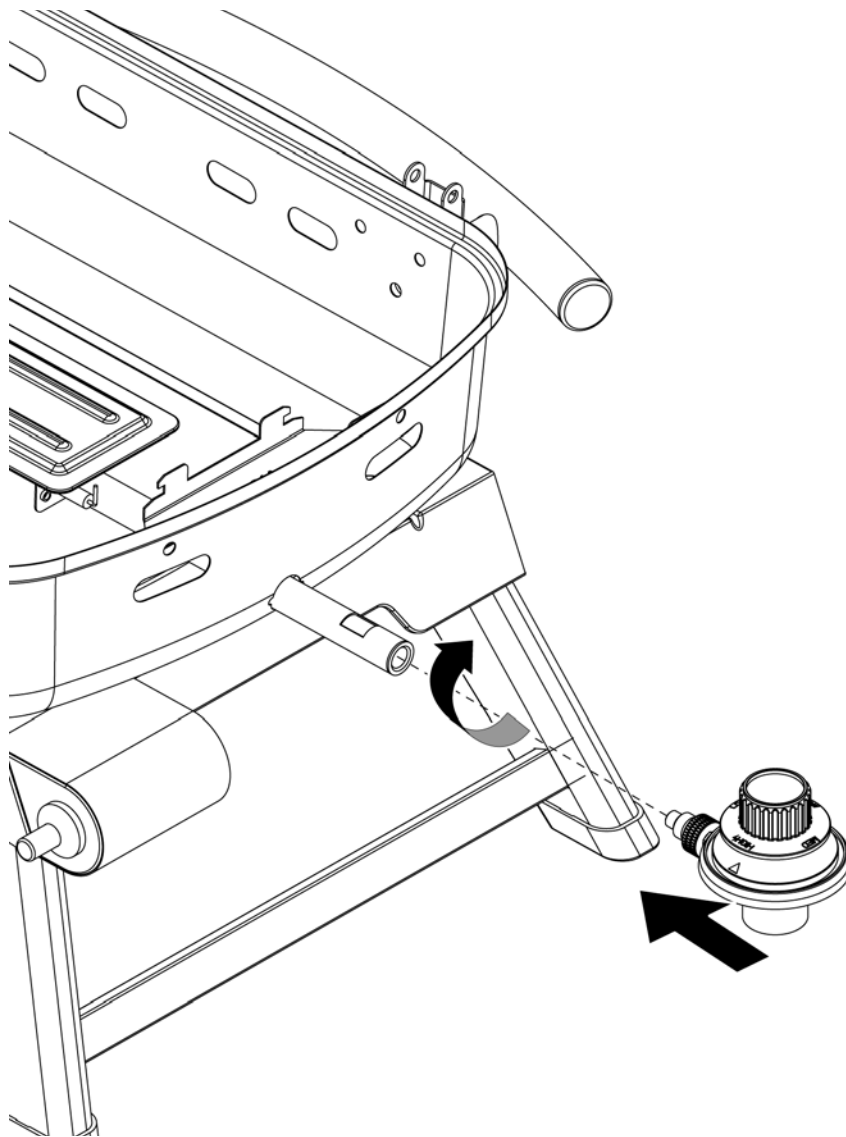


**Instructions d'assemblage (suite)**
**5**
**Fixer les poignées des pieds**

**6**
**Fixer les poignées latérales**

**7**
**Fixer les charnières inférieures**

**8**
**Fixer le pare-chaud de la c  
l'allumeur**


**9**

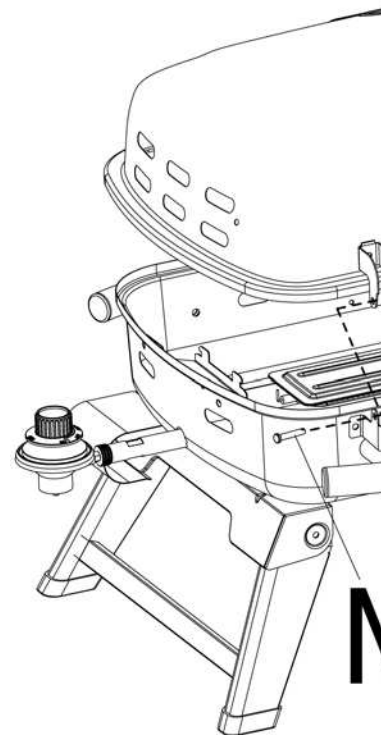
### Fixer le régulateur et son bouton de commande

Remarque: Une fois fixé, le régulateur avec son bouton tournera librement afin de pouvoir accueillir la bouteille de propane.



**10**

### Fixer le couvercle



N  x 2

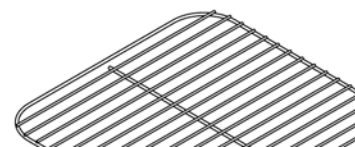
**11**

### Placer la grille de réchauffage



**12**

### Placer le diffuseur de chaleur

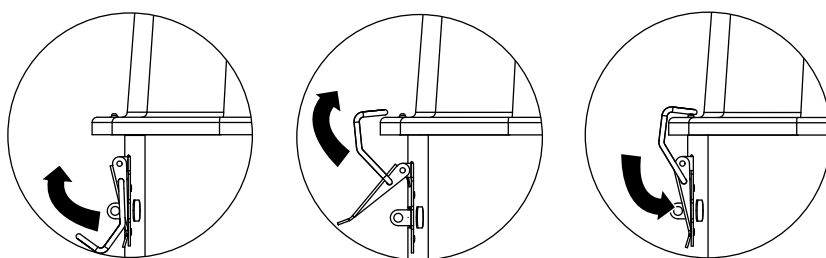


## Nettoyage et entretien (suite)

# 13

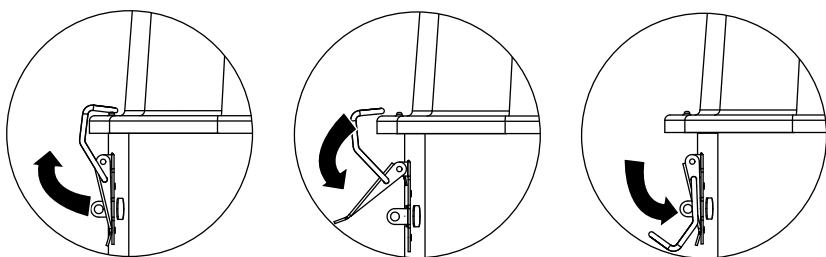
### Pour verrouiller le couvercle

Remarque: Assurez-vous de toujours verrouiller le couvercle avant de transporter le barbecue.



### Pour déverrouiller le couvercle

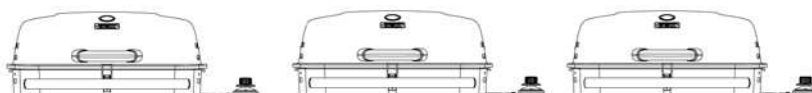
Remarque: Assurez-vous de toujours déverrouiller le couvercle et le laisser ouvert avant d'allumer le barbecue.



# 14

### Pour replier les pieds

Remarque: Assurez-vous de toujours verrouiller le couvercle avant de replier les pieds.



## Fonctionnement

Ce barbecue a été conçu afin de fonctionner avec une bouteille de propane jetable (DOT 39) d'une livre (approx. 450 g) de 7,75 po. (19,6 cm) ou 10,6 po. (27 cm) de hauteur, soit 14,1 ou 16,4 onces. Reportez-vous à l'illustration 1.

**NE PAS TENTER DE REMPLIR UNE BOUTEILLE DE PROPANE 1 LB. (14,1 ou 16,4 onces)!**

### Brancher la bouteille de propane

Utilisez uniquement des bouteilles marquées « Propane ».

Remarque: Du givre risque de se former sur certaines bouteilles 1 lb. (approx. 450 g) lorsqu'elles sont vides.

1. Assurez-vous que le bouton de commande du régulateur est réglé sur « ARRÊT ». Reportez-vous à l'illustration 2.
2. Lubrifiez le filetage du bouton de commande du régulateur avec de la vaseline. Faites correspondre le filetage de la bouteille de propane à celui du bouton de commande du régulateur.
3. Insérez puis tournez la bouteille de propane dans le sens des aiguilles d'une montre jusqu'à ce qu'elle soit correctement ajustée. **SERRER UNIQUEMENT À LA MAIN.** Faites attention à ne pas fausser le filetage en tentant de visser la bouteille. Reportez-vous à l'illustration 3.
4. Assurez-vous que le raccord ne présente pas de fuite en effectuant un test d'étanchéité en vous reportant au paragraphe « Rechercher une fuite potentielle ».

### Débrancher la bouteille de propane

1. Tournez le bouton de commande du régulateur sur « ARRÊT ». Reportez-vous à l'illustration 2.
2. Tournez la bouteille de propane dans le sens inverse à celui des aiguilles d'une montre jusqu'à ce qu'elle soit desserrée. Reportez-vous à l'illustration 4.
3. Entrez la bouteille de propane dans un endroit adéquat en suivant les instructions figurant sur la bouteille.

### Détecter une fuite

#### Raccordement du brûleur

1. Assurez-vous que le bouton de commande du régulateur est correctement raccordé au brûleur. Remarque: Une fois l'écrou en laiton serré, tournez-le 1/4 à 1/2 tour supplémentaire. Le régulateur devrait pouvoir tourner à 360° même lorsque l'écrou est serré.

Si le barbecue a été assemblé pour vous, vérifiez visuellement le branchement au niveau du brûleur et du régulateur avec son bouton de

## Utiliser le barbecue pour la première fois

1. Assurez-vous d'avoir retiré toutes les étiquettes ainsi que tous les matériaux d'emballage et films protecteurs du barbecue.
2. Avant de cuire quoi que ce soit sur le barbecue pour la première fois, faites fonctionner le barbecue pendant environ 15 minutes avec le couvercle fermé et le bouton de commande sur 🔥 (max.) afin d'éliminer les huiles résiduelles de fabrication. La chaleur « nettoiera » les pièces internes et dissipera les odeurs.

## Pour allumer

- ⚠ **ATTENTION : Assurez-vous que la zone autour du barbecue demeure dégagée et dépourvue de matières combustibles, d'essence et d'autres liquides et vapeurs inflammables.**
- ⚠ **ATTENTION : Ne pas bloquer ni empêcher le débit d'air de combustion du propane ni de ventilation.**
- ⚠ **ATTENTION : Assurez-vous que les tubes de venturi et des brûleurs ne sont pas bouchés par des insectes et leurs nids et nettoyez-les si nécessaire. Si la tubulure du brûleur est bouchée, ceci risque de provoquer un feu sous le barbecue.**
- ⚠ **ATTENTION : Toute tentative d'allumage du brûleur avec le couvercle fermé peut provoquer une explosion !**
- ⚠ **ATTENTION : Assurez-vous de toujours ouvrir complètement les pieds et sécurisées en place avant d'ouvrir le couvercle ou d'allumer le barbecue.**

1. Ouvrez le couvercle du barbecue.
2. Assurez-vous qu'il n'existe aucune obstruction et que rien ne gêne le débit d'air vers les brûleurs. Des araignées et autres insectes peuvent y élire domicile et boucher le brûleur et le tube venturi au niveau de l'orifice. Si la tubulure du brûleur est bouchée, ceci risque de provoquer un feu en-dessous de l'appareil.
3. Branchez la bouteille de propane en suivant les instructions « Brancher la bouteille de propane ».
4. Tournez le bouton de commande sur 🔥 (max.).
5. Pressez plusieurs fois le bouton de l'allumeur (3 à 4 fois) pour allumer le brûleur.
6. Si l'appareil ne s'allume pas en 5 secondes, tournez le bouton de commande du régulateur sur « 🔒 ARRÊT », attendez 5 minutes puis reprenez la procédure d'allumage depuis de début.
7. Si l'allumeur ne parvient pas à allumer le brûleur, utilisez une allumette allumée afin d'allumer manuellement le brûleur. Accédez aux brûleurs en introduisant l'allumette dans le trou situé dans le fond de la cuve comme illustré (voir illustration 6). Tournez le bouton de commande du régulateur sur 🔥 (min.) et placez l'allumette sur le côté du brûleur.
8. Après avoir allumé le brûleur, veuillez observer la flamme et vérifiez que tous les orifices du brûleur sont allumés et que la hauteur de la flamme correspond à celle de l'illustration (voir illustration 7).

- ⚠ **ATTENTION : Si la flamme du brûleur s'éteint lors du fonctionnement du barbecue, fermez immédiatement le gaz en tournant le bouton de commande du régulateur sur « 🔒 ARRÊT » et ouvrez le couvercle afin que le gaz se dissipe et attendez 5 minutes avant de tenter à nouveau**

Illustration 6

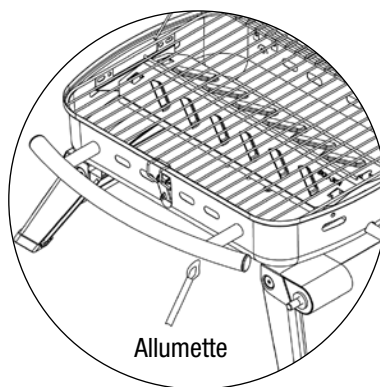
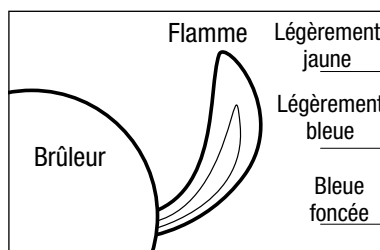


Illustration 7



## Éliminer les flambées soudaines

- ⚠ **ATTENTION : Il n'est pas possible de fermer le couvercle du barbecue en cas de feu de graisse.**
  - En cas de feu de graisse, tournez le bouton de commande du régulateur sur « 🔒 ARRÊT ». NE PAS laisser le barbecue se préchauffer le barbecue ou bloquer le bouton de commande réglé sur « 🔒 ARRÊT ». Le bouton de commande doit être nettoyé régulièrement, surtout en cas de graisse qui risque d'endommager le barbecue.
- ⚠ **AVERTISSEMENT: Lors de la cuisson de viande ou de légumes, ne pas laisser de graisse ou d'huile, ne pas laisser de graisse ou d'huile. Utiliser un extincteur à poudre BC ou un extincteur à eau avec de l'eau.**

Les flambées soudaines sont normales et se produisent lorsque la viande au barbecue et donnent un goût unique. De trop nombreuses flambées soudaines sont dangereuses.

Important: Les trop nombreuses flambées soudaines sont dangereuses de graisse au fond du barbecue.

En cas de feu de graisse, fermez le couvercle du barbecue sur « 🔒 ARRÊT » et laissez la graisse se consumer. Ne touchez pas le barbecue et ouvrez le couvercle afin d'éviter de vous brûler. En cas de trop nombreuses flambées soudaines

## Minimiser les flambées soudaines

1. Découpez le gras de la viande avant la cuisson.
2. Veillez à cuire les viandes très grasses à puissance indirecte.
3. Assurez-vous que le barbecue se trouve sur une surface plane et que la graisse puisse s'égoutter dans un récipient.

## Nettoyage et entretien

- ⚠ **ATTENTION :**
  1. Tout nettoyage ou entretien doit être effectué lorsque le barbecue est complètement froid et après avoir débranché la bouteille de propane.
  2. NE placez AUCUNE pièce du barbecue sur le barbecue. La chaleur extrême endommagera le barbecue.
  3. NE PAS agrandir les orifices de nettoyage des valves ou des brûleurs.

## Avis


1. Ce barbecue doit être vérifié et nettoyé

## Nettoyage et entretien (suite)


### Nettoyage des surfaces du barbecue

1. Essuyez les surfaces du barbecue avec un liquide à vaisselle doux ou du bicarbonate de soude mélangé avec de l'eau.
2. Pour les tâches coriaces, utilisez un dégraissant au citron et une brosse de nettoyage en nylon.
3. Rincez à l'eau.
4. Laissez le barbecue sécher à l'air libre.

### Nettoyage du brûleur

1. Tournez le bouton de commande du régulateur sur «  ARRÊT ». Remarque : Vous entendrez un son étouffé, ceci est normal, il s'agit du reste du gaz venant de se consumer.
2. Débranchez la bouteille de propane en suivant les instructions « Débrancher la bouteille de propane ».
3. Retirez le bouton de commande du régulateur et le pare-vent.
4. Retirez les grilles de cuisson et le diffuseur de chaleur.
5. Déconnectez le fil de l'allumeur selon le cas.
6. Retirez le brûleur.
7. Nettoyez les résidus de nourriture et la saleté de la surface du brûleur.
8. Déconnectez le fil de l'électrode.
9. Nettoyez l'entrée du brûleur avec un petit goupillon ou de l'air comprimé.
10. Nettoyez les orifices bouchés avec un fil métallique (un trombone ouvert, par exemple).
11. Vérifiez le brûleur afin de vous assurer qu'il n'est pas endommagé (fissures ou trous). En cas de détériorations, remplacez-le par un brûleur neuf provenant du fabricant.
12. Réinstallez le brûleur. Connectez à nouveau l'allumeur (selon le cas), remettez en place le pare-vent et le bouton de commande du régulateur.
13. Remettez en place le diffuseur de chaleur et la grille de cuisson.
14. Rebranchez la bouteille de propane en suivant les instructions « Brancher la bouteille de propane ».
15. Effectuez le test d'étanchéité afin de vous assurer que le raccord ne présente pas de fuite.

### Avant le remisage

1. Fermez le gaz en réglant le robinet de la bouteille de propane sur « CLOSED » (fermé).
2. Tournez le bouton de commande du régulateur sur «  ARRÊT ». Remarque : Vous entendrez un son étouffé, ceci est normal, il s'agit du reste du gaz venant de se consumer.
3. Débranchez la bouteille de propane en suivant les instructions « Débrancher la bouteille de propane ».
4. Nettoyez toutes les surfaces du barbecue.
5. Pour aider à lutter contre la rouille, appliquez une légère couche d'huile de cuisson sur le brûleur.
6. Si vous comptez remiser le barbecue à l'intérieur, débranchez la bouteille de propane et reportez-vous au chapitre « Débrancher la bouteille de propane ».
7. Placez le capuchon protecteur sur la bouteille de propane et entreposez la bouteille à l'extérieur dans un endroit largement aéré et à l'abri des rayons directs du soleil.
8. Si vous comptez entreposer le barbecue à l'intérieur, recouvrez le barbecue avec une housse et rangez-le dans un endroit frais et sec.
9. Si vous comptez remiser le barbecue à l'extérieur, couvrez le barbecue avec une housse de barbecue pour la protéger des intempéries.

## Enregistrement de l'appareil

Pour bénéficier plus rapidement du service offert par la garantie, veuillez enregistrer cet article

## Garantie limitée

La société Blue Rhino Global Sourcing, Inc (« Blue Rhino ») vend ce barbecue à l'acheteur au détail et à aucune autre personne, conformément aux instructions fournies. Blue Rhino vous garantit ce barbecue pendant un (1) an à partir de la date d'achat si cet article est utilisé conformément aux instructions fournies. Blue Rhino vous demandera de conserver votre facture d'achat datée, veuillez donc conserver votre facture. Cette garantie limitée sera limitée à la réparation ou au remplacement de pièces défectueuses. Blue Rhino lors de conditions d'utilisation et d'entretien appropriées, contactez le service à la clientèle de Blue Rhino. Si Blue Rhino accepte et approuve la réclamation, ce dernier remplacera gratuitement ou renverra des pièces défectueuses, les pièces défectueuses ne seront pas renvoyées. Blue Rhino s'engage à renvoyer les pièces à l'acheteur portpayé.



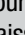
Cette garantie limitée ne couvre pas les dommages causés par un accident, mauvais usage, entretien incorrect de cet article, installation ou négligence comme il a été établi dans les conditions de garantie. Cette garantie ne couvre pas les dommages au fini, à savoir les rayures, la rouille ou les dommages résultant des intempéries.

Cette garantie remplace toute autre garantie expresse ou implicite, écrite ou orale, à l'exception de la couverture indiquée ici. Cette garantie ne couvre pas les dommages causés par un accident, mauvais usage, entretien incorrect de cet article, installation ou négligence comme il a été établi dans les conditions de garantie. BLUE RHINO DÉCLINE ÉGALEMENT TOUTE GARANTIE DE COMMERCIALISATION ET D'ADAPTATION. BLUE RHINO NE POURRA ÊTRE TENU RESPONSABLE PAR L'ACHETEUR POUR LES DOMMAGES PARTICULIERS, INDIRECTS, PUNITIFS, PUNITIFS, DÉSAVOUE toute garantie expresse ou implicite et décourage toute action de fabrication causés par un tiers.

Cette garantie limitée octroie des droits spécifiques et ne constitue pas un contrat. Il est possible que ce dernier en possède d'autres selon les lois locales. Cette garantie ne permet pas l'exclusion ni la limitation de dommages, de réparation ou de limitation en temps d'une garantie et ces limitations ne s'appliquent pas. Blue Rhino ne permet en aucun cas à une personne de transférer ses responsabilités et les obligations liées à la vente, l'installation, le remplacement de cet article, et aucune de ces représentations ne sont faites par Blue Rhino.

Blue Rhino Global Sourcing, Inc.  
 Winston-Salem, North Carolina 27105, États-Unis  
 (800)-762-1142

## Guide de dépannage

Problème	Cause possible	Prévention/mesure correctrice
<b>Le brûleur ne s'allume pas en utilisant l'allumeur électrique (si inclus).</b>	La bouteille de propane est vide ou presque vide.	Remplacez la bouteille de propane.
	Il y a une fuite de propane.	1. Fermez le gaz en tournant le bouton de commande vers «  ARRÊT ». 2. Attendez 5 minutes pour que le gaz se dissipe. 3. Suivez les instructions du chapitre 4.
	Les fils ou l'électrode sont recouverts de résidus de cuisson.	Nettoyez le fil conducteur et/ou l'électrode.
	L'électrode et les brûleurs sont mouillés.	Essuyez avec un chiffon.
	L'électrode est fendue ou brisée, des étincelles apparaissent au niveau de la fente.	Il sera peut-être nécessaire de changer l'électrode. Contactez le service à la clientèle au 1.800.762.1142.
	Le fil est desserré ou déconnecté.	Il sera peut-être nécessaire de rechanger (ou plusieurs) pièce(s) de rechange. Contactez le service à la clientèle au 1.800.762.1142.
	Court-circuit (étincelles) du fil conducteur entre l'allumeur et l'électrode.	Il sera peut-être nécessaire de changer le fil conducteur. Contactez le service à la clientèle au 1.800.762.1142.
Allumeur défectueux.	Il sera peut-être nécessaire de changer l'allumeur. Contactez le service à la clientèle au 1.800.762.1142.	
<b>Le brûleur ne s'allume pas avec une allumette.</b>	Absence de propane.	Vérifiez si la bouteille de propane est remplie. A. Si elle est vide, remplacez-la. B. Si la bouteille n'est pas vide, vérifiez si le robinet est ouvert. « Baisse soudaine du débit de propane »
	La bouteille de propane est vide ou presque vide.	Remplacez la bouteille de propane.
	Il y a une fuite de propane.	1. Fermez le gaz en tournant le bouton de commande vers «  ARRÊT ». 2. Attendez 5 minutes pour que le gaz se dissipe. 3. Suivez les instructions du chapitre 4.
	L'écrou de couplage et le régulateur ne sont pas complètement raccordés.	Tournez l'écrou de couplage dans le sens des aiguilles d'une montre jusqu'à ce qu'il soit complètement serré. <b>Serrez manuellement</b> le régulateur.
	Obstruction du débit de propane.	Nettoyez les tubes des brûleurs.
	Araignées ou insectes dans le venturi.	Nettoyez le venturi et le tube du brûleur.
Les orifices du brûleur sont bouchés ou bloqués.	Nettoyez les orifices du brûleur.	
<b>Baisse soudaine du débit de propane ou hauteur réduite de flamme.</b>	Il n'y a plus de propane.	Remplacez la bouteille de propane.
<b>Flamme irrégulière, flamme ne se répartissant pas sur toute la longueur du brûleur.</b>	Les orifices du brûleur sont bouchés ou bloqués.	Nettoyez les orifices du brûleur.
<b>La flamme est jaune ou orange.</b>	Le nouveau brûleur peut contenir des huiles résiduelles de fabrication.	Laissez le barbecue fonctionner pendant 15 minutes avec le couvercle fermé.
	Toiles d'araignées ou nid d'insectes dans le venturi.	Nettoyez le venturi.
	Résidus d'aliments, de graisse, etc.	Nettoyez le brûleur.
	La valve n'est pas correctement alignée sur le venturi du brûleur.	Assurez-vous que le venturi du brûleur est correctement aligné sur la valve.
<b>La flamme s'éteint.</b>	Vent fort ou bourrasques.	Ne pas utiliser le barbecue les jours de vent fort.
	La bouteille de propane est presque vide.	Remplacez la bouteille de propane.
	Débit excessif; la soupape de sécurité de limitation de débit a peut-être été déclenché.	Reportez-vous aux instructions de sécurité de la bouteille de propane ou hauteur réduite de flamme.
<b>Le feu s'enflamme brusquement.</b>	Accumulation de graisse.	Retirez et nettoyez toutes les pièces de la grille. « Nettoyage et entretien » du manuel.
	La viande est trop grasse.	Éliminez la graisse de la viande avant de la cuire.
	La température de cuisson est trop élevée.	Réglez à la baisse la température de cuisson.
<b>Le barbecue ne chauffe pas.</b>	Graisse piégée par accumulation de nourriture autour du brûleur.	1. Tournez le bouton de commande vers «  ARRÊT ». 2. Laissez le couvercle fermé pendant 15 minutes.
	Le brûleur est défectueux.	Remplacez le brûleur défectueux.