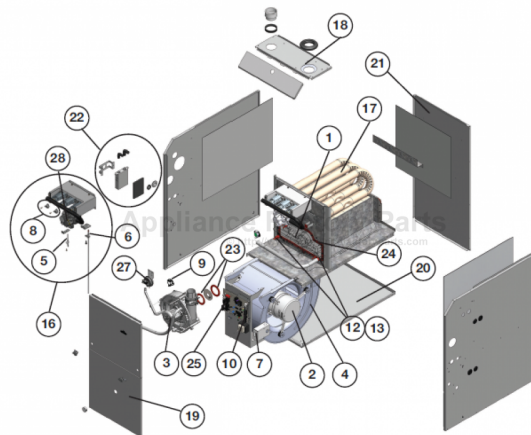


This Owner's Manual is provided and hosted by [Appliance Factory Parts](#).



# Napoleon WPX100S5BA-N Owner's Manual

[Shop genuine replacement parts for Napoleon  
WPX100S5BA-N](#)



[Find Your Napoleon HVAC Parts - Select From 105 Models](#)

----- Manual continues below -----

# NAPOLEON

9500 SERIES GAS FURNACES

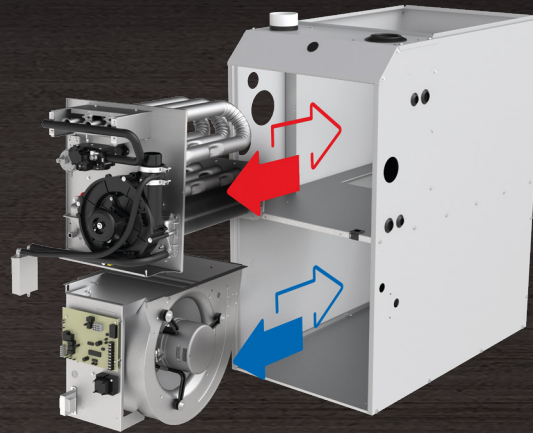


9500 SERIES GAS FURNACES  
[napoleon.com](http://napoleon.com)



## MODULAR INDIVIDUAL COMPONENTS

Napoleon's innovative modular design allows for easy handling, and cleaning. With a removable heat exchanger and blower compartment, servicing a Napoleon furnace is a whole new experience.

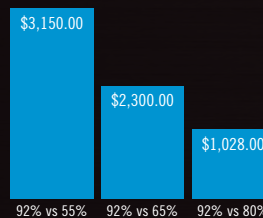


## ENERGY SAVINGS & COMFORT ANNUAL FUEL UTILIZATION EFFICIENCY (AFUE)

AFUE works much like the miles-per-gallon rating on a car - the higher the rating, the lower the fuel costs. The Annual Fuel Utilization Efficiency (AFUE) measures the amount of comfort for every dollar spent. If a furnace is 25 years old or older, it could have a rating as low as 55% to 65% AFUE.



**95% + AFUE TRANSLATES  
INTO SIGNIFICANTLY LOWER  
FUEL BILLS**



Cost Comparison of  
Operating Your Furnace  
Over Five Years

**10 YEAR** | UNIT REPLACEMENT  
HEAT EXCHANGER LIMITED WARRANTY

**LIFE TIME** | HEAT EXCHANGER  
LIMITED WARRANTY

**10 YEAR** | PARTS  
LIMITED WARRANTY

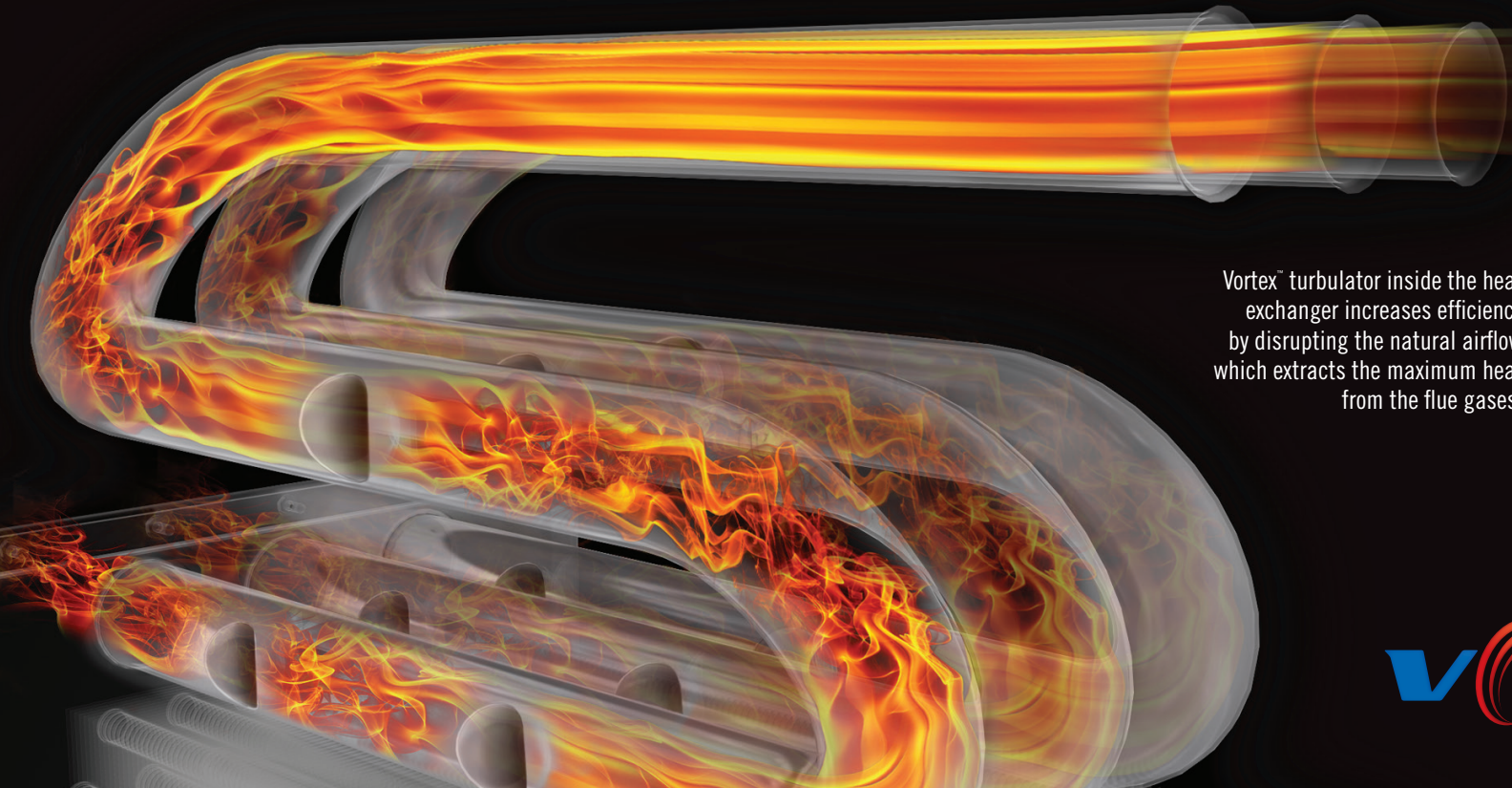
\*See warranty for details

# THINK DIFFERENT. THINK NAPOLEON.

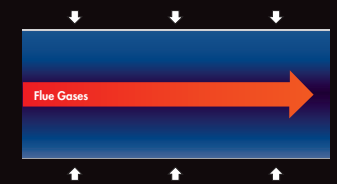
Napoleon's 9500 Series gas furnace is one of the smallest on the market. With today's households striving to achieve the highest energy savings, the 9500 Series is the perfect fit. Offering a variety of sizes that feature an EnerSave motor, it's easy to pair one to your home.

Napoleon's 9500 Series' boasts WHISPER QUIET™ operation, superior engineering and a sleek design. You'll enjoy the comforts of the 9500 Series gas furnace as it provides reliable, safe and efficient heat all winter long.

**That's Napoleon.**

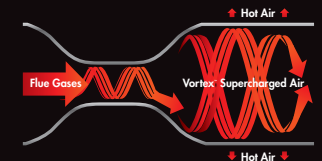


**Conventional Heat Exchanger**  
Hot air radiating 700°



Vortex™ turbulator inside the heat exchanger increases efficiency by disrupting the natural airflow which extracts the maximum heat from the flue gases.

**Patented Vortex™ Technology Heat Exchanger**  
Hot air radiating 800°





## EFFICIENT TECHNOLOGY

Napoleon's 9500 Series NPX models feature a EnerSave Pro motor which reduces electrical consumption by up to 80%. On continuous fan speed, the EnerSave Pro motor only consumes 60 - 80 watts compared to the 400 watts consumed by other motors.



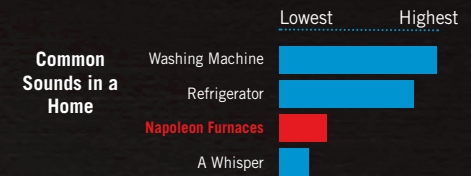
## FUTURE READY WIFI CAPABLE

Napoleon's 9500 is compatible with smart thermostat technology. Easily paired with a wide variety of thermostats and control boards, the 9500 is compatible with your home.



## WHISPER QUIET™ OPERATION FEATURES

Designed to be 'Whisper Quiet', one of the smallest 95% + AFUE furnaces on the market.



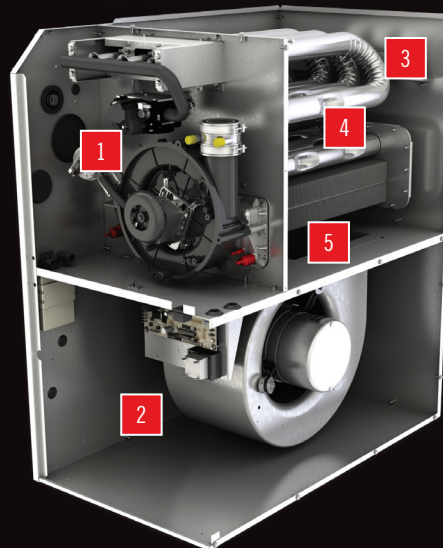
## OUR DIFFERENCE IS IN THE DETAILS 5 WAYS TO COUNT ON THE BEST

### 1 Aluminized Multi-Port in Shot Burners

- Corrosion resistant burners
- Perfectly shapes the flame cone for maximum flame efficiency

### 2 Self Diagnostic Integrated Furnace Control (IFC)

- Contains LED service indicator lights to ensure quick and accurate service diagnosis
- Constantly monitors all safety devices
- Interfaces with additional home comfort products using simple plug-in connections
- Mounted between the blower rails for easy accessibility
- Integrated Furnace Control board manages all operational functions and accommodates hook-ups for a humidifier, HRV, and electronic air cleaner
- Self-diagnostic Integrated Furnace Controls (IFC) is mounted between the blower rails for easy accessibility



### 3 Heat Exchanger Compartment

- Thermally insulated heat exchanger compartment for quiet operation and reduced clearance to combustibles

### 4 Corrosion Resistant Heavy Gauge Aluminized-Steel Tubular Triple-Pass Heat Exchanger

- Controlled wrinkle-bend design of heat exchanger creates tubes with consistent thickness and no weak areas
- Highly-efficient triple pass tubular design has a large surface area to maximize heat transfer
- Each row of tubes is offset to increase turbulence in the airflow and maximize heat transfer

### 5 Stainless Steel Heat Recovery Coil

- Extracts the remaining heat from the flue gases once they exit the triple-pass heat exchanger
- Increases efficiency by evenly distributing the remaining heat to the coil's large fins
- The Heat Exchanger is backed by our President's Limited Lifetime and Limited Replacement Guarantee for your peace of mind

# 9500 SERIES GAS FURNACES



**flexfit**

## INSTALLATION OPTIONS FLEXFIT FOR CONVENIENCE

Napoleon's 9500 Series offers zero clearance in all positions, providing installation ease in closets and alcoves with no additional kits required. Manufactured for natural gas, with the option of simple conversion to propane. Napoleon's 9500 Series is one of the smallest 95% AFUE furnaces on the market.

### MODEL COMPARISON

Series	Efficiency (AFUE)	Single Stage	Two-Stage	SureView Window	PSC Motor	Endura Pro Motor	ECM EON Motor	Primary Stainless Steel Heat Exchanger	Secondary Stainless Steel Heat Exchanger	LED Cabinet Lights	Built-in UV Light Air Purifier	Four-Sided Insulated Cabinet	Made In Canada
9700	97%		•	•			•	•	•	•	•	•	•
9600	96%		•	•		•	•		•				•
9500	95%	•				•			•				•

### 9500 SPECIFICATIONS

HEATING CAPACITIES	WPX030S2AA-N	WPX040S2AA-N	WPX060S3AA-N	WPX080S3AA-N	WPX100S5BA-N
Efficiency (AFUE)	95%	95%	95%	95%	95%
Input BTU/hr 0-4500'	30,000	40,000	60,000	80,000	100,000
Output BTU/hr 0-4500'	29,000	38,000	57,000	76,000	95,000
CABINET DIMENSIONS (IN)	WPX030S2AA-N	WPX040S2AA-N	WPX060S3AA-N	WPX080S3AA-N	WPX100S5BA-N
Width (in)	17 1/2	17 1/2	17 1/2	17 1/2	22 1/2
Depth (in)	29 1/2	29 1/2	29 1/2	29 1/2	29 1/2
Height (in)	34	34	34	34	34
VENTING*	WPX030S2AA-N	WPX040S2AA-N	WPX060S3AA-N	WPX080S3AA-N	WPX100S5BA-N
Clearances to Combustibles	0	0	0	0	0
Minimum Vent Size (in)	1 1/2	1 1/2	1 1/2	2	2
Maximum Vent Size (in)	3	2.5	3	3	3
Minimum Vent Length (ft)	15	15	15	15	15
Maximum Vent Length (ft)	100	75	100	100	100
AIRFLOW AND COOLING	WPX030S2AA-N	WPX040S2AA-N	WPX060S3AA-N	WPX080S3AA-N	WPX100S5BA-N
Motor Type and Size ECM	1/3 hp	1/3 hp	1/2 hp	1/2 hp	1 hp
AC Tonnages	1 1/2, 2, 2 1/2	1 1/2, 2, 2 1/2	2, 2 1/2, 3	2, 2 1/2, 3	2, 3, 4, 5

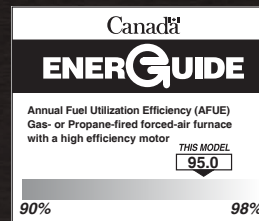
\*See table 4 in manual for all venting configurations  
EnerSave Pro motor = Fixed Multi-Speed DC motor

# NAPOLEON - CELEBRATING OVER 40 YEARS OF HOME COMFORT PRODUCTS



24 Napoleon Road, Barrie, Ontario, Canada L4M 0G8  
 103 Miller Drive, Crittenden, Kentucky, USA 41030  
 7200 Trans Canada Highway, Montreal, Quebec, Canada H4T 1A3

Tel: 1-866-820-8686  
 napoleon.com



Authorized Dealer



All specifications and designs can change without notice to allow for on-going product improvement. Images may not be exactly as shown. Consult your owners manual for current information. Check all local and national building codes and gas regulations. Napoleon® is a registered trademark of Wolf Steel Group Inc.

Printed in Canada  
 ADBRHVAC95 - 12/2019