

This Owner's Manual is provided and hosted by [Appliance Factory Parts](#).



Backyard Grill GBT1624WR Owner's Manual

[Shop genuine replacement parts for Backyard Grill
GBT1624WR](#)



[Find Your Backyard Grill Grill Parts - Select From 50 Models](#)


----- Manual continues below -----

Outdoor LP Gas Barbecue G

Model No. BY16-103-002-01 / Stock No. GBT1624V



 **WARNING**
FOR YOUR SAFETY:
For Outdoor Use Only
(outside any enclosure)

 **WARNING**
FOR YOUR SAFETY:

1. Improper installation, adjustment, alteration, service or maintenance can cause injury or property damage.
2. Read the installation, operation, and maintenance instructions thoroughly before installing or servicing this equipment.
3. Failure to follow these instructions could result in fire or explosion, which could cause property damage, personal injury, or death.
4. This instruction manual contains Important information necessary for the proper assembly and safe use of the appliance.
5. Read and follow all warnings and instructions before assembling and using the appliance.
6. Follow all warnings and instructions when using the appliance.
7. Keep this manual for future reference.

 **DANGER**

Table of Contents

- Important Safeguards
- Expanded View & Hardware
- Assembly Instructions.
- Operating Instructions.
- Cleaning and Care
- Product Registration
- Replacement Parts
- Limited Warranty
- Troubleshooting

The use and installation must conform with local codes or, in the absence of local codes, with the National Fire Protection Association (NFPA) 54 National Fuel Gas Code.

Important Safeguards

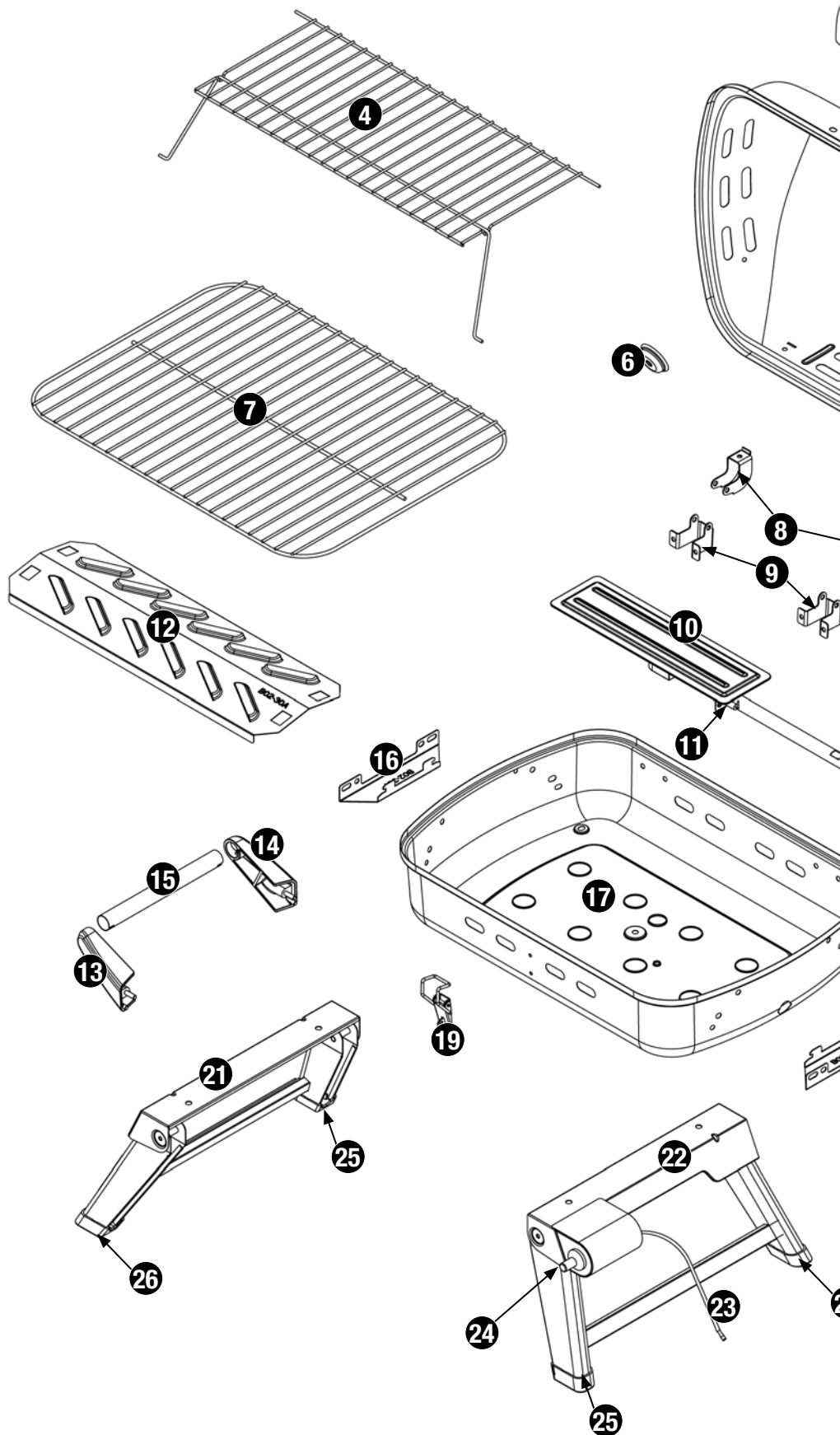
- ▲ **DANGER:** Failure to follow the dangers, warnings and cautions in this manual may result in serious bodily injury or death, or causing damage to property.
-
- ▲ **WARNINGS:**
 - ▲ This grill is for outdoor use only, and should not be used in a building, garage or any other enclosed area.
 - ▲ Do NOT operate, light or use this appliance within ten feet (3.05 m) of walls, structures or buildings.
 - ▲ For residential use only. This grill is NOT for commercial use.
 - ▲ This grill is not intended for and should never be used as a heater. TOXIC fumes can accumulate and cause asphyxiation.
 - ▲ This is NOT a tabletop grill. Therefore, do NOT operate this grill on any type of tabletop surface.
 - ▲ This grill is safety certified for use in the United States and/or Canada only. Do NOT modify for use in any other location. Modification will result in a safety hazard and will void your warranty.
 - ▲ This grill is for use with liquid propane (LP) gas only. The conversion to or attempted use of natural gas in this LP gas grill is dangerous, may cause bodily harm and will void your warranty.
 - ▲ LP gas characteristics:
 - a. LP gas is flammable and hazardous if handled improperly. Become aware of the characteristics before using any LP gas product.
 - b. LP gas is explosive under pressure, heavier than air, and settles and pools in low areas.
 - c. LP gas in its natural state has no odor. For your safety, an odorant is added that smells like rotten cabbage.
 - d. Contact with LP gas can cause freeze burns to skin.
 - ▲ Apartment dwellers: Check with management to learn the requirements and fire codes for using a LP gas grill in your apartment complex. If allowed, use outside on the ground floor with a ten foot (3.05 m) clearance from any structure. Do NOT use on or under balconies.
 - ▲ LP gas cylinder needed to operate. Only cylinders marked "propane" may be used.
 - ▲ The LP gas cylinder must be constructed and marked in accordance with the *Specifications for LP-gas Cylinders* of the U.S. Department of Transportation (D.O.T.), *Cylinders, Spheres and Tubes for the Transportation of Dangerous Goods*; or the National Standard of Canada, *CAN/CSA-B339*.
 - ▲ LP gas cylinder must be arranged for vapor withdrawal.
 - ▲ Dented or rusted LP gas cylinders may be hazardous and should be checked by your LP gas supplier prior to use.
 - ▲ The LP gas cylinder should not be dropped or handled roughly.
 - ▲ LP gas cylinders must be stored outdoors out of the reach of children and must not be stored in a building, garage or any other enclosed area. Your cylinder must never be stored where temperatures can reach over 120°F.
 - ▲ Check for leaks even if your unit was a new unit.
 - ▲ Do NOT operate if a gas leak is present or if you suspect a gas explosion.
 - ▲ You must follow all instructions in the manual before operating. To prevent a fire or explosion, follow these steps to check for a leak:
 - a. Always perform a leak test before lighting the grill. The gas cylinder is connected for use.
 - b. No smoking. Do NOT use or permit open flames while conducting a leak test.
 - c. Conduct the leak test outdoors in a well-ventilated area.
 - d. Do NOT use matches, lighters, or a flame to check for leaks.
 - e. The use of alcohol, prescription or over-the-counter medications may impair the consumer's ability to properly operate the appliance.
 - f. Strong odors, colds, sinus congestion, or other conditions may mask the detection of propane. Use caution and follow the instructions for leaks.
 - g. Do NOT use grill until any and all leaks are repaired. If unable to stop a leak, disconnect the grill and call a qualified appliance serviceman or your local propane supplier.
 - ▲ Do NOT store or use gasoline or other flammable liquids within 25 feet (7.62 m) of this appliance.
 - ▲ Do NOT use in an explosive atmosphere or near open flames, from combustible materials, gasoline or other flammable liquids.
 - ▲ Minimum clearance from sides and back of grill to any construction is 36 inches (91.4 cm). Do NOT use under any type of overhang or roof.
 - ▲ It is essential to keep the grill's regulator, burner tubes and circulating air passages clean.
 - ▲ Inspect grill before each use.
 - ▲ Do NOT alter grill in any manner. Any alterations may void the warranty.
 - ▲ Do NOT use the grill unless it is COMPLETELY assembled. All parts are securely fastened and tightened.
 - ▲ This grill should be thoroughly cleaned after each use on a regular basis.
 - ▲ Clean and inspect the hose before each use. If there is evidence of abrasion, wear, cuts or leaks, replace the hose prior to operation.

- ▲ **Move gas hoses as far away as possible from hot surfaces and dripping hot grease.**
- ▲ **Do NOT use grill in high winds.**
- ▲ **Never lean over the grill when lighting.**
- ▲ **Do NOT leave a lit grill unattended. Keep children and pets away from grill at all times.**
- ▲ **Do NOT leave grill unattended while preheating or burning off food residue on high. If grill has not been cleaned, a grease fire can occur that may damage the product.**
- ▲ **Do NOT place empty cooking vessels on the appliance while in operation.**
- ▲ **Use caution when placing anything on the grill while the appliance is in operation.**
- ▲ **Do NOT attempt to move grill when in use. Allow the grill to cool before moving or storing.**
- ▲ **LP gas cylinder must be properly disconnected and removed prior to moving this grill.**
- ▲ **Storage of grill indoors is permissible only if the cylinder is disconnected, removed from the grill and properly stored outdoors.**
- ▲ **Always open grill lid carefully and slowly as heat and steam trapped within grill can cause severe burns.**
- ▲ **Do NOT attempt to disconnect the gas regulator from the cylinder or any gas fitting while the grill is in use.**
- ▲ **Disconnect LP gas tank when not in use.**
- ▲ **Always place your grill on a hard, non-combustible, level surface. An asphalt or blacktop surface may not be acceptable for this purpose.**
- ▲ **Do NOT use directly on wooden decks.**
- ▲ **Move gas hoses as far away as possible from hot surfaces and dripping hot grease.**
- ▲ **Keep all electrical cords away from a hot grill.**
- ▲ **After a period of storage and/or non-use, check for leaks, burner obstructions and inspect for any abrasion, wear or cuts to the hose.**
- ▲ **Failure to open lid while igniting the grill's burner(s), or not waiting five minutes to allow the gas to clear if the grill does not light, may result in an explosive flame-up.**
- ▲ **Never operate grill without its heat plates installed.**
- ▲ **Always use a meat thermometer to ensure food is cooked to a safe temperature.**
- ▲ **Use protective gloves when assembling this product.**
- ▲ **Do NOT force parts together as this can result in personal injury or damage to the product.**
- ▲ **Never cover entire cooking area with aluminum foil.**
- ▲ **Deaths, serious injury or damage to property may occur if the above is**

Parts List

1	Lid Handle	55-24-155
2	Brand Plate	55-22-270
3	Temperature Gauge	55-24-426
4	Warming Rack	55-09-333
5	Lid	55-24-156
6	Temperature Gauge Support	55-09-378
7	Cooking Grid	55-09-325
8	Top Hinge (2)	55-15-330
9	Bottom Hinge (2)	55-15-329
10	Burner	55-24-159
11	Igniter	55-24-813
12	Heat Plate	55-24-814
13	Side Handle Support A (2)	55-24-815
14	Side Handle Support B (2)	55-24-816
15	Side Handle Rod (2)	55-24-817
16	Heat Plate Support (2)	55-09-330
17	Bottom Bowl	55-24-818
18	Bottom Bowl Heat Shield	55-11-348
19	Lock	55-09-443
20	Regulator/Control Knob	55-24-161
21	Left Leg Assembly	55-24-162
22	Right Leg Assembly	55-24-163
23	Igniter Wire*	55-24-060
24	Igniter Button*	55-24-819
25	Foot A (2)*	55-24-164
26	Foot B (2)*	55-24-165

* Pre-assembled

Expanded View


Assembly Instructions

1

DO NOT RETURN TO PLACE OF PURCHASE.

For assistance, call **1.800.762.1142** toll-free. Please have your owner's manual and model number available for reference.

Note: The model number can be found on the back or side of the grill.

Assembly Tips:

1. Select an area where you will assemble this product. To protect components, choose a smooth surface that's free of cracks or openings.
2. Spread out all parts.
3. Tighten all hardware connections by hand first. Then, before completing each step, go back and fully tighten all hardware. Be careful not to over-tighten. That could damage surfaces or strip threads.
4. For best results, complete each step in the order presented.

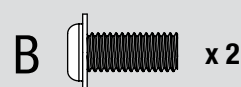
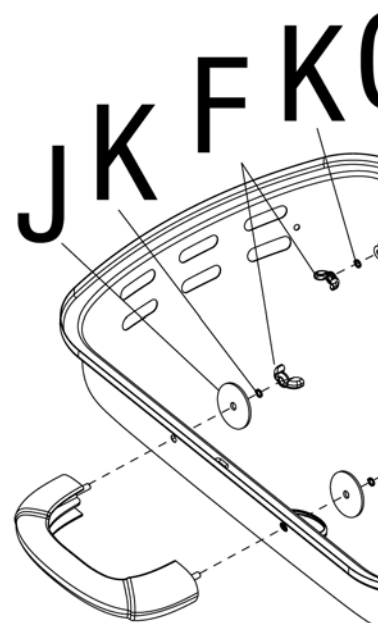
To complete assembly you will need:

- (1) Leak Detection Solution (instructions on how to make solution are included in "Operating Instructions" section).
- (1) 14.1 oz or (1) 16.4 oz LP gas tank (not included).

Typical assembly is approximately 30 minutes.

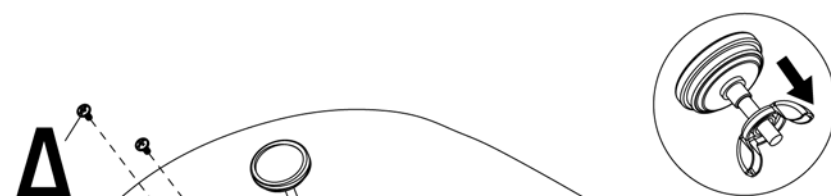
2

Attach Lid Handle and To



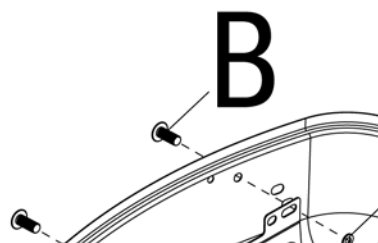
3

Attach Brand Plate and Temperature Gauge



4

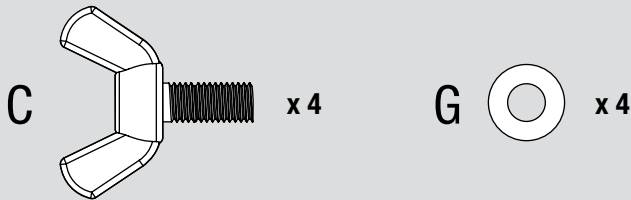
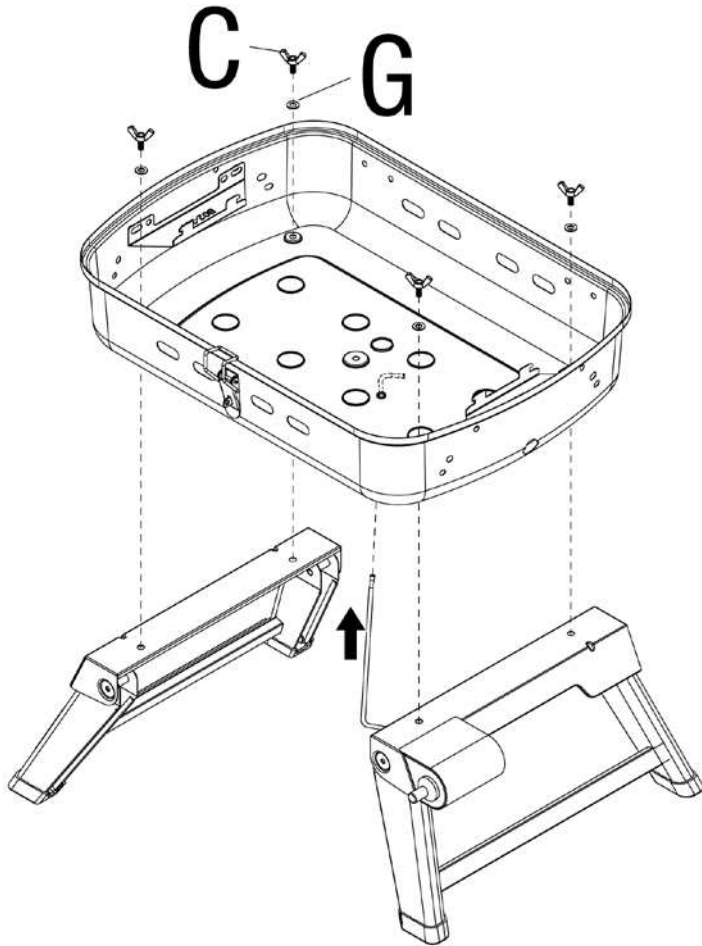
Attach Heat Plate Support



Assembly Instructions (continued)

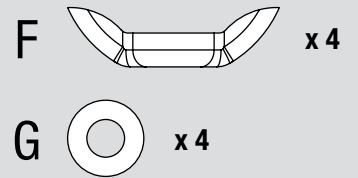
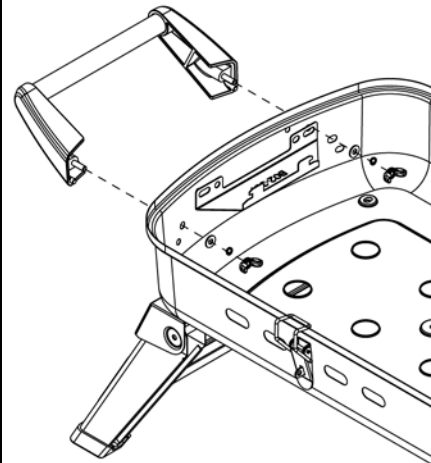
5

Attach Legs



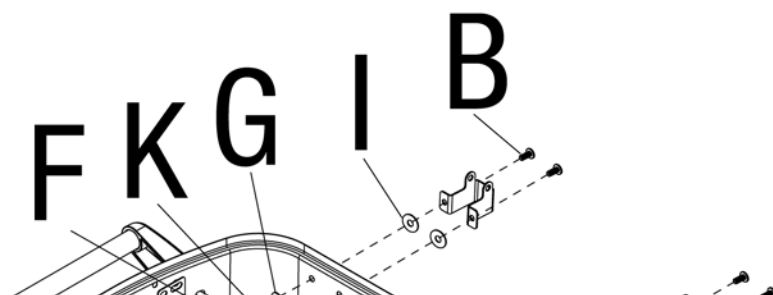
6

Attach Side Handles



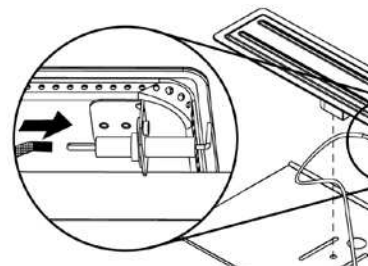
7

Attach Bottom Hinge



8

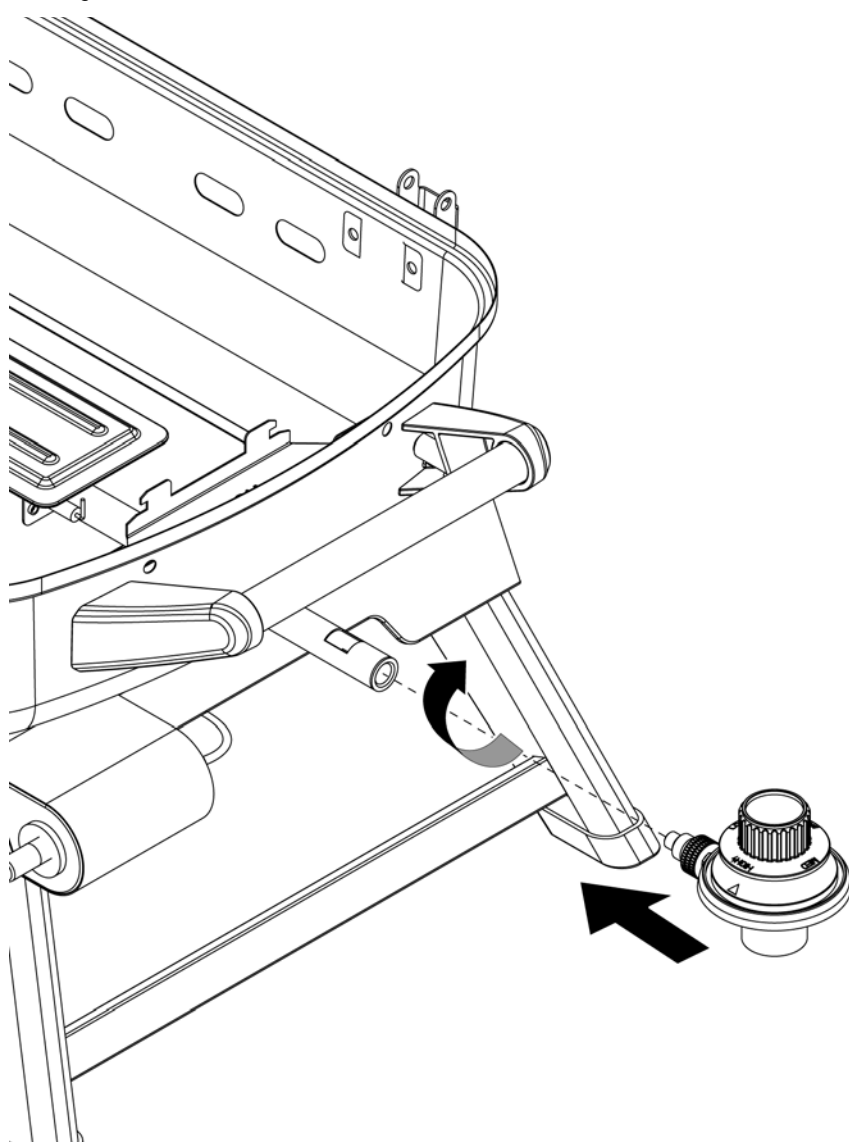
**Attach Bottom Bowl Heat Shield
Igniter Wire**



9

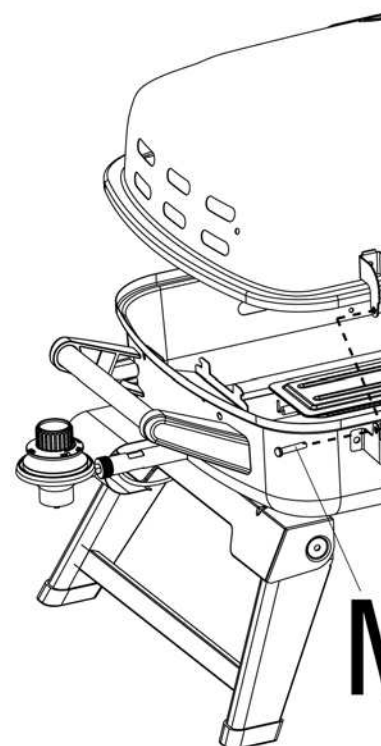
Attach Regulator/Control Knob


Note: Once attached, the regulator/control knob will freely rotate to accommodate for the LP gas tank.



10

Attach Lid



M  x 2

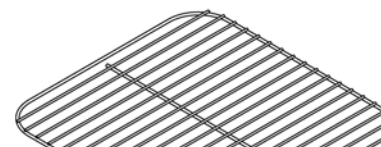
11

Insert Warming Rack



12

Insert Heat Plate and Cool

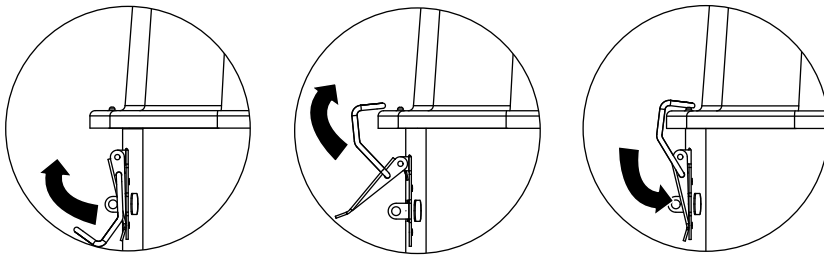


Assembly Instructions (continued)

13

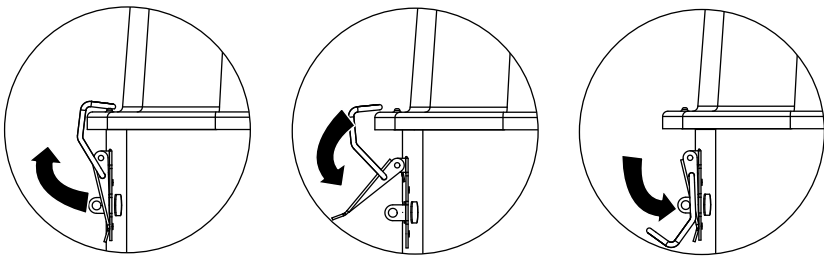
Lock Lid

Note: Lid must be locked before transporting grill.



Unlock Lid

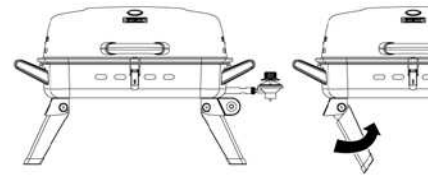
Note: Always unlock and open lid before lighting grill.



14

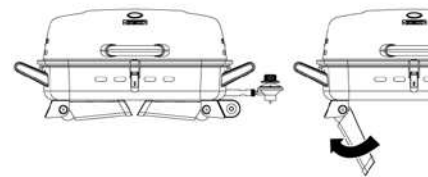
Fold Up Legs

Note: Always lock lid before folding legs.



Unfold Legs

Note: Always open legs completely and se



Operating Instructions

This grill is designed to operate with a 1 lb. 7.75 in. or 10.6 in. high disposable / 16.4 oz. or 14.1 oz. propane gas tank (DOT 39 Cylinder) (Figure 1).

DO NOT ATTEMPT TO REFILL ANY 1 lb. (16.4 oz. or 14.1 oz.) PROPANE GAS TANKS!

Connecting LP Gas Tank

Only cylinders marked “propane” may be used.

Note: 1 lb cylinders may form frost when near empty.

1. Make sure the regulator/control knob is in the “OFF” position (Figure 2).
2. Lubricate the threads of the regulator/control knob with petroleum jelly. Line up threads on LP gas tank with regulator/control knob.
3. Insert and rotate LP gas tank clockwise until they fit snugly together. **HAND TIGHTEN ONLY.** Be careful not to crossthread when screwing in tank (Figure 3).
4. Perform leak test per “Checking for Leaks” section.

Figure 1

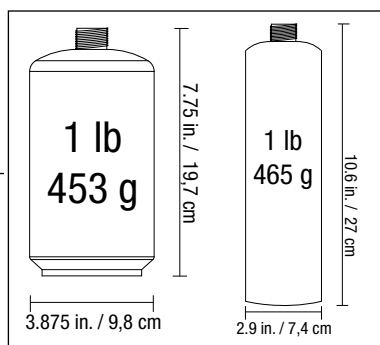
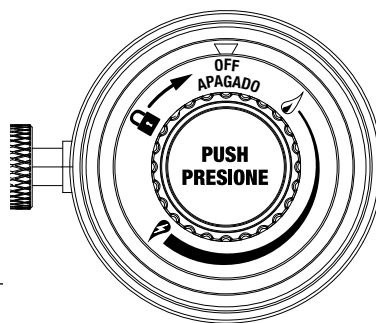


Figure 2



Disconnecting LP Gas Tank

1. Turn the regulator/control knob to the “OFF” position (Figure 2).
2. Rotate LP gas tank counterclockwise until it is detached (Figure 4).
3. Store the LP gas tank in a proper location, per instructions on the LP gas tank.

Figure 3

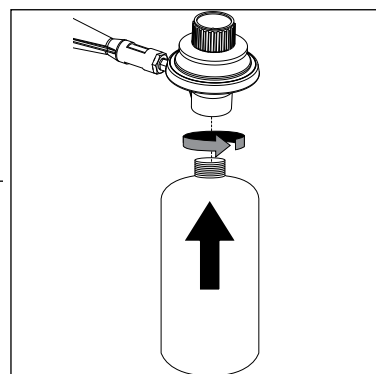


Figure 4

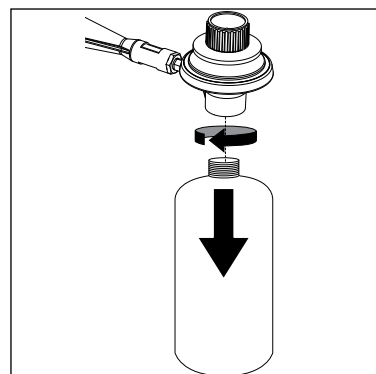


Figure 5



Checking for Leaks

Burner Connections

1. Make sure the regulator/control knob is securely fastened to the burner.
Note: The brass nut should be ¼ to ½ turn past tight. The regulator will rotate 360° even when the brass nut is tightened.

If your unit was assembled for you, visually check the connection between the burner and regulator/control knob (Figure 5).

1. **WARNING: Failure to inspect this connection or follow these instructions could cause a fire or an explosion which can cause death, serious bodily injury or damage to property.**
2. If the burner and regulator/control knob do not fit properly or if you have any questions, please contact 1.800.762.1142 for assistance.

Tank/Gas Line Connection

1. Make 2-3 oz. of leak detection solution by mixing one part liquid dishwashing soap with three parts

- ▲ **CAUTION: Check and clean burner nests. A clogged tube can lead to**
- ▲ **CAUTION: Attempting to light the**
- ▲ **CAUTION: Always open legs comp**

1. Open lid.
2. Check for obstructions of airflow to the burner. Spiders, insects and webs can clog the burner venturi tube. A clogged burner/venturi tube can lead to a fire.
3. Connect LP gas tank per “Connecting LP Gas Tank” section.
4. Turn the control knob to 🔥 (HIGH).
5. Press the igniter button quickly 3 to 4 times to light burner.
6. If ignition does not occur in 5 seconds, turn the regulator/control knob to “OFF” position for 1 minute and repeat lighting procedure.
7. If igniter does not light burner, use a lit match to light burner manually. Access the burner through the hole in bottom bowl or side as indicated (Figure 6). Turn the regulator/control knob to 🔥 (LOW) and position the lit match near side of the burner.
8. After lighting, observe the burner flame. Make sure all burner ports are lit and flame height matches illustration (Figure 7).

- ▲ **Caution: If burner flame goes out, turn the regulator/control knob “OFF” for 5 minutes before re-lighting.**

Turning Off

1. Turn regulator/control knob to the “OFF” position. Note: A “poof” sound is normal as the last gas is used.
2. Disconnect LP gas tank per “Disconnecting LP Gas Tank” section.

Cooking

- ▲ **CAUTION: Do NOT leave grill unattended. Food residue on 🔥 (HIGH). If grill has a flare-up, turn off the grill.**

1. Open lid and ignite the side burner per “Lighting Side Burner” section.
2. Close lid and preheat grill on 🔥 (HIGH).
3. Adjust regulator/control knob to desired flame.
4. Wear protective gloves and use long handled tongs to move the lit burner.
5. With lid open or closed, cook until desired doneness is reached.
6. Turn grill off per “Turning Off” section.

Controlling Flare-ups

Cleaning and Care

▲ CAUTION:

1. All cleaning and maintenance should be done when grill is cool and with the fuel supply disconnected.
2. Do NOT clean any grill part in a self-cleaning oven. The extreme heat will damage the finish.
3. Do NOT enlarge valve orifices or burner ports when cleaning the valves or burners.

Notices

1. This grill should be thoroughly cleaned and inspected on a regular basis.
2. Abrasive cleaners will damage this product.
3. Never use oven cleaner to clean any part of grill.

Before Each Use

1. Keep the grill area clean and free from any combustible materials, gasoline, and other flammable vapors and liquids.
2. Do NOT obstruct the flow of the combustion of LP gas and the ventilation of air.
3. Keep the ventilation opening(s) of the LP gas tank area free and clear from debris.
4. Visually check the burner flames to make sure your grill is working properly (Figure 8).
5. See below for proper cleaning instructions.
6. Check for obstructions of airflow to the burners. Spiders, insects and webs can clog the burner/venturi tube. A clogged burner/venturi tube can lead to a fire.

Cleaning Surfaces

1. Wipe surfaces clean with mild dishwashing detergent or baking soda mixed with water.
2. For stubborn surfaces, use a citrus-based degreaser and a nylon scrubbing brush.
3. Rinse clean with water.
4. Allow to air dry.

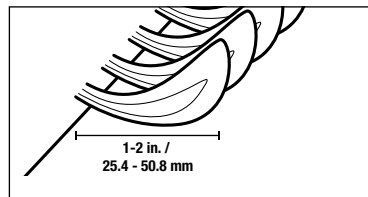
Cleaning Main Burners

1. Turn regulator/control knob to "OFF." Note: A "poof" sound is normal as the last of the LP gas is burned.
2. Disconnect LP gas tank per "Disconnecting LP Gas Tank" section.
3. Remove regulator/control knob and wind guard.
4. Remove cooking grid and heat plate.
5. Disconnect wire from igniter, if applicable.
6. Remove burner.
7. Remove all food residue and dirt from burner surface.
8. Disconnect wire from spark electrode.
9. Clean inlet of burner with small bottle brush or compressed air.

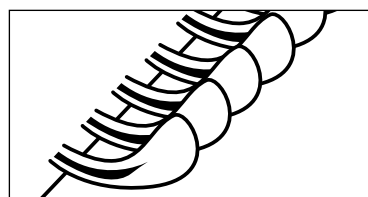
Figure 8

Burner Flame Conditions

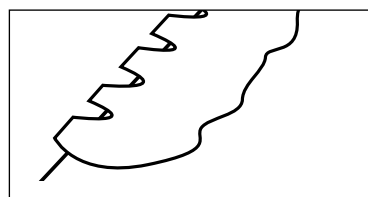
Use this chart to see if your burners need to be cleaned.



Normal: Soft blue flames with yellow tips between 1 in. - 2 in. height.



Needs cleaning: Noisy with hard blue flames.



Has to be replaced: Wavy with yellow flames.

Product Registration

For faster warranty service, register your product immediately at www.BlueRhino.com or call 1.800.762.1142.

Replacement Parts

Replacement parts can be found at parts.BlueRhino.com.

Limited Warranty

Blue Rhino Global Sourcing, Inc. ("Blue Rhino") warrants the product, and to no other person, that if this product is used in accordance with the printed instructions accompanying the product from the date of purchase, all parts in such product shall be free from workmanship. Blue Rhino may require reasonable proof of purchase; you should retain your sales slip or invoice. This Limited Warranty or replacement of parts, which prove defective under this warranty, Blue Rhino shall determine in its reasonable discretion upon returning any parts, you should contact Blue Rhino's contact information listed below. If Blue Rhino confirms a defect by this Limited Warranty in any returned part, and if the part is covered, we will replace such defective part without charge. If you are not the original purchaser, charges must be prepaid by you. Blue Rhino will return the defective part, purchaser, freight or postage prepaid.

This Limited Warranty does not cover any failures or damages caused by abuse, misuse, alteration, misapplication, improper installation, or service by you or any third party, or failure to perform maintenance as set out in this owner's manual. In addition, this warranty does not cover damage to the finish, such as scratches, dents, discoloration, or rust after purchase.

This Limited Warranty is in lieu of all other express or implied warranties for products that are purchased from sellers, retailers, or distributors, including the warranty of merchantability and fitness for purpose. Blue Rhino ALSO DISCLAIMS ANY AND ALL IMPLIED WARRANTIES OF MERCHANTABILITY, FITNESS FOR PARTICULAR PURPOSE. Blue Rhino SHALL HAVE NO LIABILITY TO ANY PARTY FOR ANY SPECIAL, INDIRECT, PUNITIVE, INCIDENTAL, OR CONSEQUENTIAL DAMAGES. Blue Rhino further disclaims any implied or express warranties for defects in workmanship caused by third parties.

This Limited Warranty gives the purchaser specific legal rights depending upon where he or she lives. Some jurisdictions may limit or prohibit limitation of special, incidental or consequential damages, so the above exclusion and limitations may not apply. Blue Rhino does not authorize any person or company to make any representation or liability in connection with the sale, installation, use, or maintenance of this equipment, and no such representations are binding on Blue Rhino Global Sourcing, Inc. Winston-Salem, North Carolina 27105 USA 1.800.762.1142

Troubleshooting

Problem	Possible Cause	Prevention/Cure
Burner will not light using igniter (if included)	LP gas tank is low or empty	Replace LP gas tank
	LP gas leak	1. Turn LP gas tank valve to "OFF" 2. Wait 5 minutes for gas to clear 3. Follow "Checking for Leaks"
	Wires or electrode covered with cooking residue	Clean wire and/or electrode with
	Electrode and burners are wet	Wipe dry with cloth
	Electrode cracked or broken - sparks at crack	Replacement part(s) may be needed
	Wire loose or disconnected	Reconnect wire or replacement part at 800.762.1142
	Wire is shorting (sparking) between igniter and electrode	Replacement part(s) may be needed
Burner will not light with match	Bad igniter	Replacement part(s) may be needed
	No gas flow	Check if LP gas tank is empty A. If empty, replace B. If LP gas tank is not empty, reduce flame height" below
	LP gas tank is low or empty	Replace LP gas tank
	LP gas leak	1. Turn LP gas tank valve to "OFF" 2. Wait 5 minutes for gas to clear 3. Follow "Checking for Leaks"
	Coupling nut and regulator not fully connected	Turning the coupling nut about one solid stop. Tighten by hand only
	Obstruction of gas flow	Clear burner/venturi tube
	Spider webs or insect nest in venturi	Clean burner/venturi tube
Burner ports clogged or blocked	Clean burner ports	
Sudden drop in gas flow or reduced flame height	Out of gas	Replace LP gas tank
Irregular flame pattern – flame does not run the full length of burner	Burner ports are clogged or blocked	Clean burner ports
Flame is yellow or orange	New burner may have residual manufacturing oils	Operate grill for 15 minutes on flame
	Spider webs or insect nest in burner/venturi tube	Clean burner/venturi tube
	Food residue, grease, etc. on burners	Clean burner
	Poor alignment of valve to burner/venturi tube	Ensure burner/venturi tube is properly
Flame goes out	High or gusting winds	Do not use grill in high winds
	Low on LP gas	Replace LP gas tank
	Overflow valve tripped	Refer to "Sudden drop in gas flow"
Flare-up	Grease buildup	Remove and clean all grill parts per
	Excess fat in meat	Trim fat from meat before grilling
	Excessive cooking temperature	Adjust (lower) cooking temperature
Persistent grease fire	Grease trapped by food buildup around burner system	1. Turn control knob to "OFF" 2. Leave lid in closed position and 3. After grill cools, remove and clean section
Flashback (fire in burner tube(s))	Burner and/or burner tubes are blocked	Clean burner and/or burner/venturi
Inside of lid is peeling (like paint peeling)	Baked on grease buildup has turned to carbon and is flaking off.	Clean all grill parts per "Cleaning

For more assistance, please visit us at BlueRhino.com or call 1.800.762.1142.



Recipes
BlueRhino.com/recipes

Need help? 1.800.762.1142
Do not return to place of purchase.


Replac
parts.Bl
1.800

Parrilla de gas propano para ex


Modelo no. BY16-103-002-01 / Artículo no. GBT1624



 **ADVERTENCIA**
PARA SU SEGURIDAD:
Solamente para uso en exteriores
(fuera de cualquier recinto)

 **ADVERTENCIA**
PARA SU SEGURIDAD:

1. Una instalación, ajuste, alteración, reparación o mantenimiento inadecuados pueden causar lesiones o daños a la propiedad.
2. Lea atentamente las instrucciones de instalación, funcionamiento y mantenimiento del equipo antes de instalarlo, ponerlo en marcha o darle servicio.
3. El no seguir estas instrucciones puede ocasionar un incendio o una explosión, con sus consecuentes daños a la propiedad, lesiones personales y hasta accidentes fatales.
4. Este manual de instrucciones contiene información importante necesaria para un correcto ensamblaje y uso seguro del aparato.
5. Lea y siga todas las instrucciones y advertencias antes de ensamblar y usar el producto.
6. Obedezca todas las advertencias e instrucciones cuando use el equipo.
7. Guarde este manual para referencia futura.

 **PELIGRO**
Si huele a gas -

1. Cierre la entrada de gas al aparato.
2. Apague cualquier llama activa.

Indice

Salvaguardias importantes	
Despiece y elementos de ferretería	
Instrucciones de armado	
Instrucciones de operación	
Limpieza y cuidado	
Registro del producto	
Piezas de repuesto	
Garantía limitada	
Resolución de problemas	
El uso e instalación de este producto ha de realizarse de acuerdo	



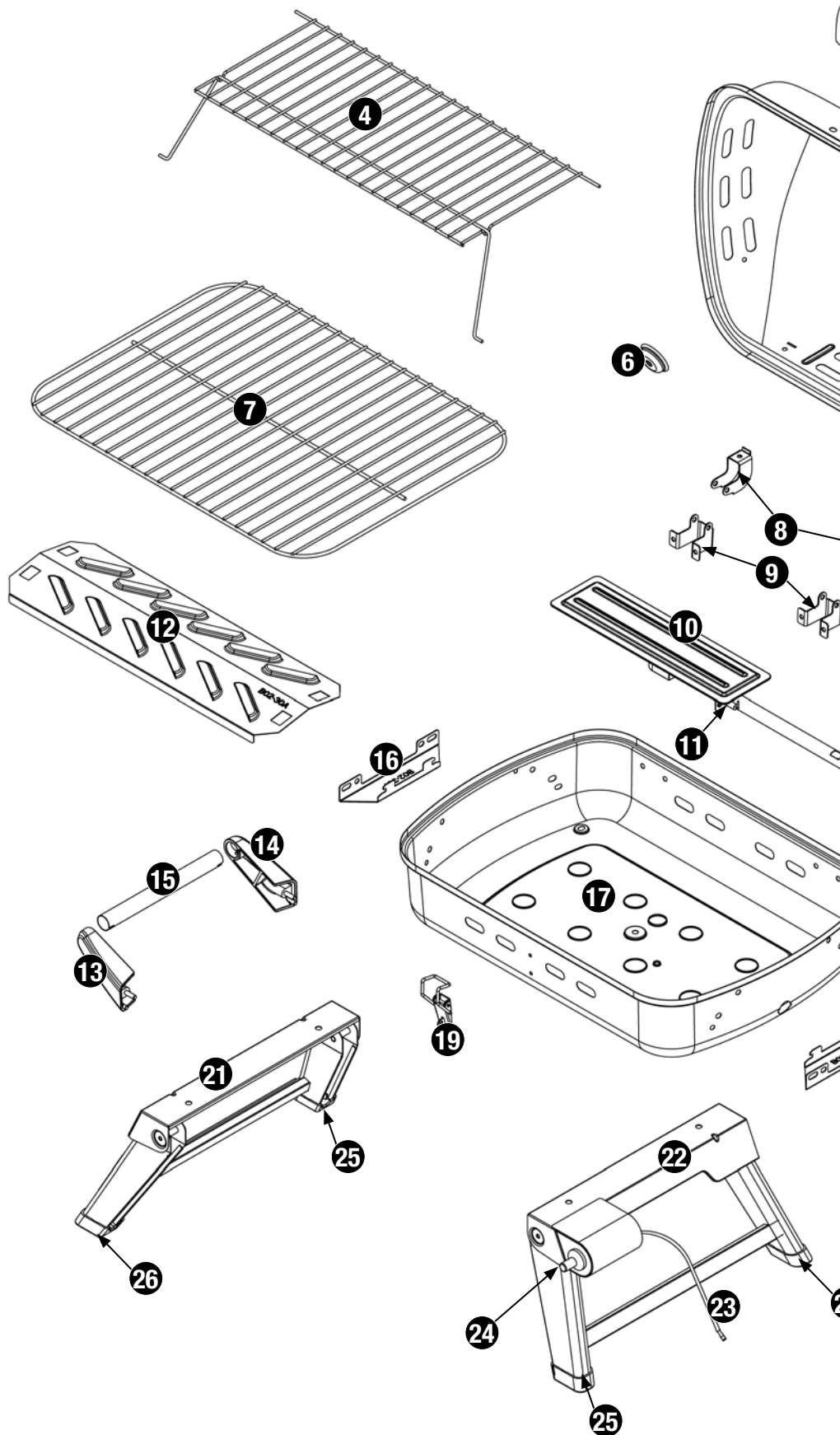
Salvaguardias importantes

- ▲ **PELIGRO:** El no seguir los avisos de peligro, las advertencias y las precauciones de este manual, puede ocasionar un incendio, lesiones personales y hasta accidentes fatales.
-
- ▲ **ADVERTENCIAS:**
 - ▲ Esta parrilla es para ser usada al aire libre únicamente y no debe usarse en un edificio, garaje o cualquier otra área cerrada.
 - ▲ NO opere, encienda o use esta unidad a menos de diez (10) pies (3,05 m) de paredes, estructuras o edificaciones.
 - ▲ Para uso residencial únicamente. Esta parrilla NO ha sido diseñada para uso comercial.
 - ▲ Esta parrilla NO ha sido diseñada como calentador y nunca se la debe utilizar como tal. Gases TÓXICOS pueden acumularse y provocar la asfixia.
 - ▲ NO es una parrilla de sobremesa. Por lo tanto, NO coloque esta parrilla sobre ningún tipo de superficie de sobremesa.
 - ▲ Esta parrilla cuenta con certificación de seguridad para uso en los Estados Unidos y Canadá solamente. NO debe modificarse para uso en ningún otro lugar. La modificación resultará en un peligro de seguridad y anulará la garantía.
 - ▲ Esta parrilla utiliza únicamente gas de propano líquido como combustible. El convertir o tratar de convertir esta parrilla de gas propano líquido para ser usada con gas natural es peligroso e invalida la garantía de la unidad.
 - ▲ Características del propano líquido (PL):
 - a. El propano es inflamable y resulta peligroso si se manipula inadecuadamente. Antes de utilizar cualquier producto que emplee propano líquido, estudie detenidamente sus características.
 - b. El gas de propano líquido es explosivo bajo presión, más denso que el aire, se asienta y se acumula a poca altura.
 - c. En su estado natural, el propano no tiene ningún olor. Para su seguridad, se añade una esencia odorífera que huele a col podrida.
 - d. El contacto directo con el propano líquido puede causar quemaduras frías en la piel.
 - ▲ Habitantes de apartamentos: Comuníquese con la administración para obtener los requisitos y los códigos de incendio para uso de una parrilla a gas propano líquido en su complejo de apartamentos. Si está permitido su uso, coloque la unidad en exteriores, sobre el suelo con una distancia de diez (10) pies (3 m) de paredes o barandas. No debe usarse en balcones ni debajo de estos.
 - ▲ Únicamente tanques marcados "Propano" pueden usarse en esta unidad.
 - ▲ El tanque de gas propano líquido (PL) debe estar fabricado y comercializado según las *Especificaciones para tanques de gas PL del Departamento de Transporte (DOT) de EE.UU. o del Estándar nacional de Canadá, CAN/CSA-B339 sobre tanques, esferas y tubos para el transporte de mercancías peligrosas.*
 - ▲ No intente nunca acoplar esta parrilla a un campero, de una casa móvil o de su propiedad.
 - ▲ El uso de bebidas alcohólicas, medicamentos o drogas puede afectar la habilidad del usuario para operar en forma segura este artefacto.
 - ▲ No use nunca carbón de leña, líquido propano, gasolina, queroseno o alcohol con este artefacto.
 - ▲ Todas las conexiones de gas de su parrilla deben ser hechas en fábrica en cuanto a fugas de gas. Sin embargo, verifique todas las conexiones de acuerdo con la información en este manual ya que el movimiento en tiempo de ellas.
 - ▲ Verifique que no haya fugas aún si el artefacto no está en uso por una persona.
 - ▲ NO opere la unidad si hay una fuga de gas que puede provocar un fuego o una explosión.
 - ▲ Antes de operar esta unidad, debe observar las precauciones para verificar que no hay fugas de gas que pueden provocar un fuego o de explosión al comprobar si hay fugas de gas.
 - a. Compruebe siempre si hay fugas antes de conectar el tanque de gas cada vez que el tanque de gas está conectado.
 - b. No fume. NO use o permita fuentes de fuego para comprobar si hay fugas.
 - c. Siempre compruebe si hay fugas en áreas con poca ventilación.
 - d. NO use cerillas o fósforos, encendedor para comprobar si hay fugas.
 - e. El uso de bebidas alcohólicas, medicamentos o drogas puede afectar la habilidad del usuario para operar en forma segura este artefacto.
 - f. Los olores fuertes, los resfríos, la congestión nasal, etc. pueden evitar la detección del gas. Mantenga el sentido común al hacer pruebas para detectar fugas de gas.
 - g. NO use la parrilla hasta que todas las fugas de gas hayan sido reparadas. Si no puede parar una fuga, desconecte el tanque de gas a un técnico de servicio de artefactos de gas propano local.
 - ▲ No guarde o use gasolina u otros líquidos inflamables a menos de 25 pies (7,62 m) de esta unidad.
 - ▲ NO utilice el equipo en una atmósfera con vapores de la parrilla libre de materiales combustibles, vapor o líquido inflamable.

- ▲ No encienda esta unidad sin haber leído las instrucciones de operación que se encuentran en este manual.
- ▲ NO toque las piezas de metal de la parrilla hasta que no se haya enfriado completamente para evitar quemaduras, a menos que usted tenga puestos elementos de protección tales como guantes o almohadilla para las ollas, guantes de barbacoa, etc.
- ▲ NO instale o utilice este artefacto en embarcaciones o vehículos recreativos (RV).
- ▲ NO use esta parrilla en la maletera de un vehículo, camioneta, camión liviano, minivan, vehículo utilitario deportivo (SUV).
- ▲ Cuando esté cocinado, tenga fácilmente accesibles los elementos para extinguir un incendio. En caso de que la sustancia de freír se incendie no trate de extinguir el fuego con agua. Use un extintor de material químico seco tipo BC o ahogue el fuego con tierra, arena o soda de hornear.
- ▲ Coloque las mangueras de gas lo más lejos posible de superficies calientes y grasa caliente.
- ▲ NO utilice la parrilla si hace mucho viento.
- ▲ Nunca se apoye sobre la parrilla cuando la está encendiendo.
- ▲ No deje una parrilla encendida sin vigilancia, especialmente, mantenga los niños y las mascotas lejos de la parrilla en todo momento.
- ▲ NO deje la parrilla sin supervisión al precalentar o quemar residuos de alimentos con la perilla en la graduación más alta. Si la parrilla no ha sido limpiada, puede incendiarse la grasa y dañar el producto.
- ▲ NO coloque los recipientes de cocción sobre el artefacto mientras está en funcionamiento.
- ▲ Tenga cuidado al colocar cosas sobre la parrilla cuando ésta se encuentre en funcionamiento.
- ▲ NO intente mover la parrilla mientras esté encendida. Deje que la parrilla se enfríe antes de moverla o guardarla.
- ▲ El tanque de gas propano líquido debe desconectarse correctamente y retirarse antes de mover esta parrilla.
- ▲ El almacenamiento de la parrilla en un espacio cerrado sólo está permitido si el tanque está desconectado, desmontado de la parrilla y guardado al aire libre.
- ▲ Siempre abra la tapa de la parrilla con cuidado para evitar quemaduras por el calor y el vapor que hay dentro de la parrilla.
- ▲ NO trate de desconectar el regulador de flujo de gas o el accesorio de la línea de gas, mientras la parrilla está encendida.
- ▲ Desconecte el tanque de gas cuando se vaya a guardar la parrilla.
- ▲ Coloque siempre la parrilla sobre una superficie plana y adecuada para este propósito.
- ▲ NO use la parrilla sobre plataformas o superficies elevadas.
- ▲ Retire las mangueras de gas lo más lejos posible de las zonas donde gotee grasa.
- ▲ Mantenga todos los cables eléctricos lejos de la parrilla.
- ▲ Después de un período de almacenamiento, verifique que no haya fugas de gas.
- ▲ El no abrir la tapa cuando se están calentando los alimentos de la parrilla, o el no esperar cinco minutos antes de abrir la parrilla cuando el gas no se haya quemado, puede causar una llamarada explosiva.
- ▲ Nunca opere la parrilla antes de haberse establecido la distribución de calor.
- ▲ Use siempre un termómetro para carne para verificar que la carne quedado cocida a la temperatura adecuada.
- ▲ Por favor, use guantes de protección cuando toque el producto.
- ▲ NO trate de forzar las piezas juntas o intentar reparar o dañar el artefacto.
- ▲ Nunca cubra la totalidad del área de la parrilla.
- ▲ El no seguir exactamente las instrucciones puede causar daños a la propiedad, lesiones serias o la muerte.

Lista de piezas
Despiece

1	Manija de la tapa	55-24-155
2	Placa de la marca	55-22-270
3	Indicador de temperatura	55-24-426
4	Rejilla de calentamiento	55-09-333
5	Tapa	55-24-156
6	Soporte del indicador de temperatura	55-09-378
7	Rejilla de cocción	55-09-325
8	Bisagra superior (2)	55-15-330
9	Bisagra inferior (2)	55-15-329
10	Quemador	55-24-159
11	Encendedor	55-24-813
12	Placa de distribución de calor	55-24-814
13	Soporte A de la manija lateral (2)	55-24-815
14	Soporte B de la manija lateral (2)	55-24-816
15	Varilla de la manija lateral (2)	55-24-817
16	Soporte de la placa de distribución de calor (2)	55-09-330
17	Carcasa	55-24-818
18	Protector contra el calor de la carcasa	55-11-348
19	Seguro	55-09-443
20	Regulador y perilla de control	55-24-161
21	Conjunto de patas izquierdas	55-24-162
22	Conjunto de patas derechas	55-24-163
23	Cable del encendedor*	55-24-060
24	Perilla del encendedor*	55-24-819
25	Tapón de pata A (2)*	55-24-164
26	Tapón de pata B (2)*	55-24-165



* Viene previamente ensamblado

Instrucciones de armado

1

NO DEVUELVA EL PRODUCTO AL LUGAR DE COMPRA.

Si necesita ayuda llame, sin cargo, al **1.800.762.1142**. Por favor tenga a mano su manual y el model no. de la unidad, para referencia.

Nota: El número del modelo se encuentra en la parte trasera o lateral de la parrilla.

Para facilitar el armado:

1. Elija el lugar en el que armará este producto. Para proteger los componentes, elija una superficie lisa, sin fisuras ni hendiduras.
2. Presente todas las piezas.
3. Ajuste todas las conexiones de los elementos de ferretería, primero en forma manual. Luego, después de completar cada paso, ajústelos por completo. Tenga cuidado de no ajustar demasiado. Se podrían dañar las superficies o forzar las roscas.
4. Para obtener mejores resultados, siga todos los pasos en el orden indicado.

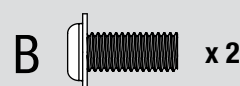
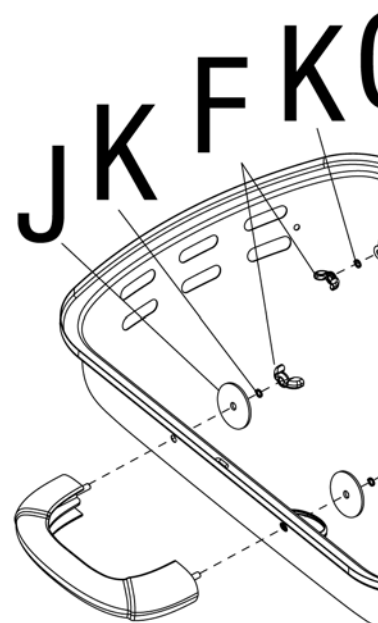
Para terminar el armado de la unidad necesitará:

- una (1) solución para detección de fugas. Las instrucciones sobre cómo preparar esta solución se encuentran en la sección “Instrucciones de operación.”
- un (1) tanque de propano de 14,1 onzas o un (1) tanque de 16,4 onzas (1 libra ó aprox 450 g) (non incluidas)

Tiempo de armado estimado: 30 minutos.

2

Acople las bisagras inferiores



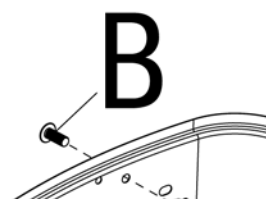
3

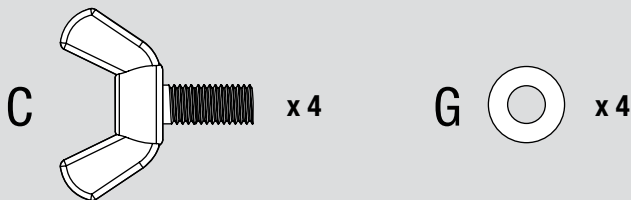
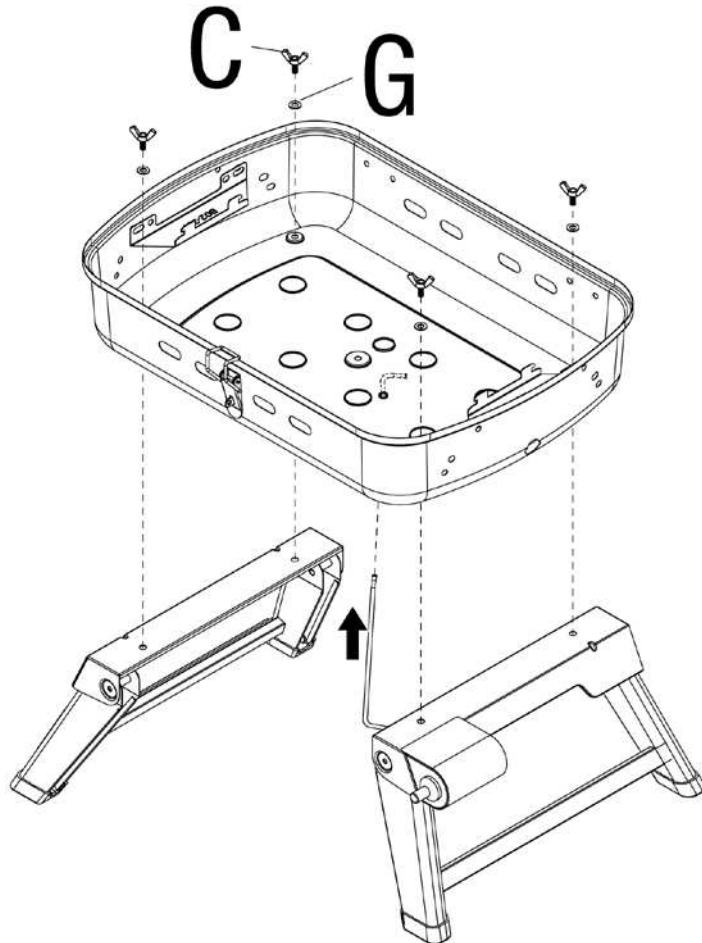
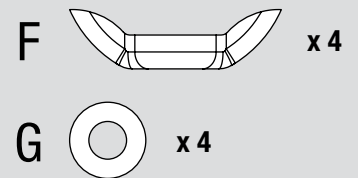
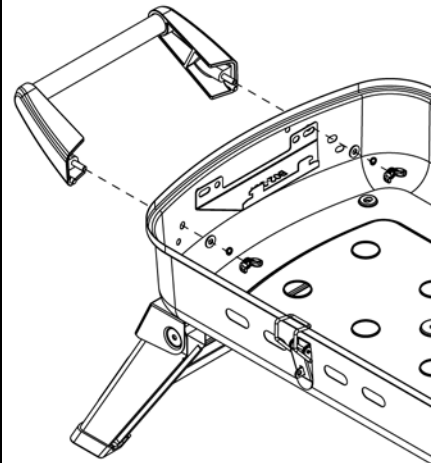
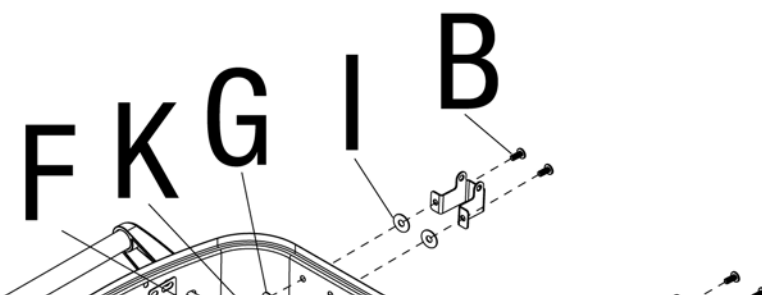
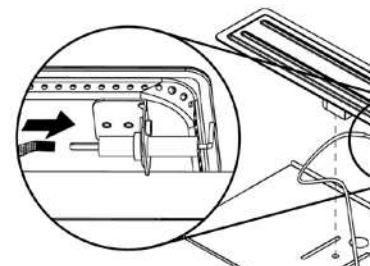
Acople la placa de la marca y el indicador de temperatura



4

Acople los soportes de la parrilla y el seguro

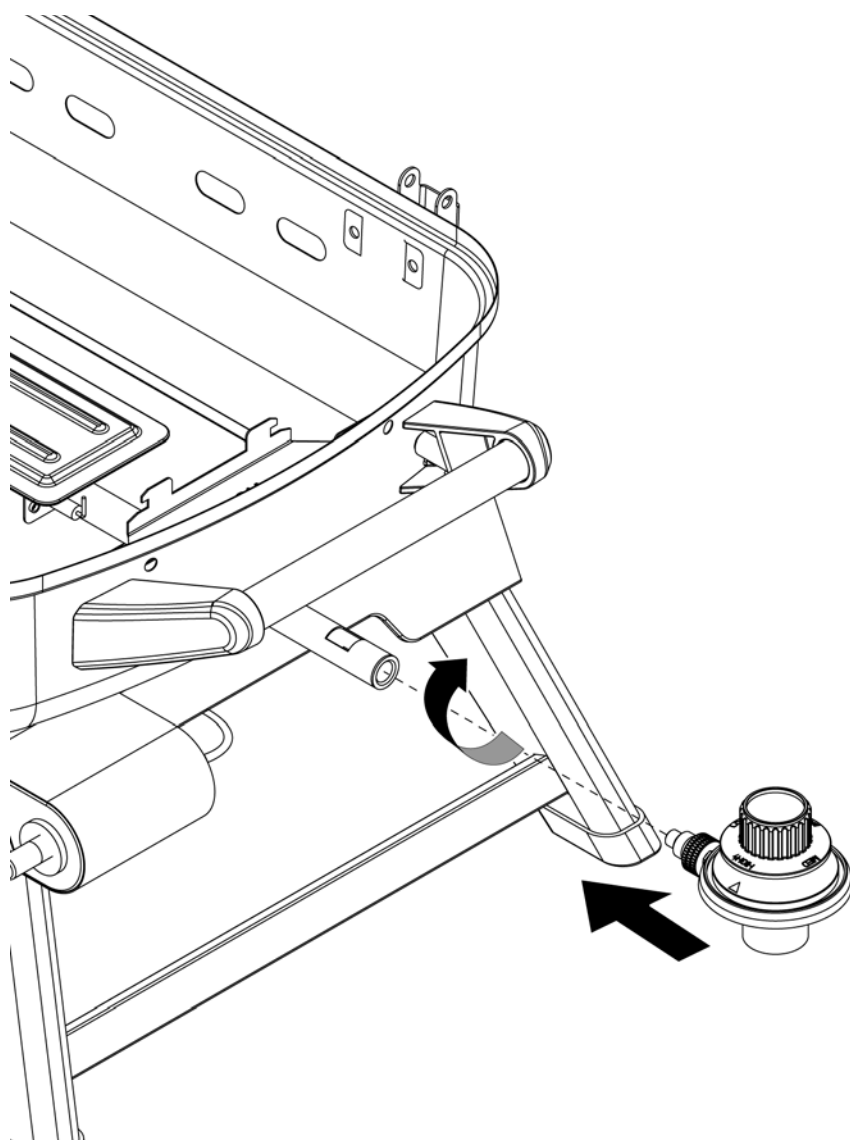


Instrucciones de armado (continuación)
5
Acople las patas

6
Acople las manijas laterales

7
Acople las bisagras inferiores

8
**Acople la carcasa de la parrilla
calor, el quemador y el cable**


9

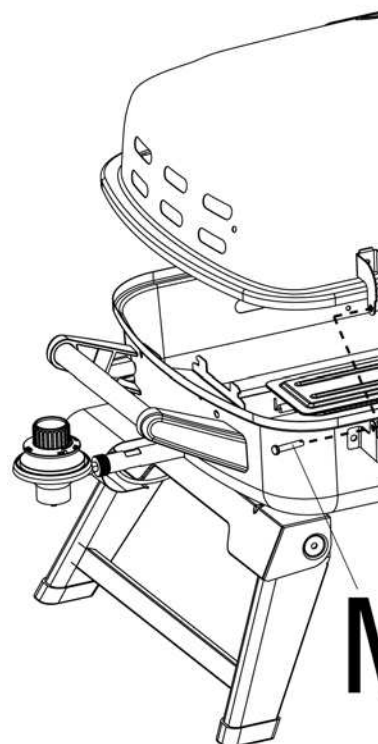
Acople el conjunto de regulador y perilla de control

Nota: Una vez fijado, el conjunto de regulador y perilla de control puede girar libremente para acomodar el tanque de gas propano líquido.



10

Acople la tapa



M  x 2

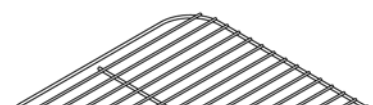
11

Coloque la rejilla de calentamiento



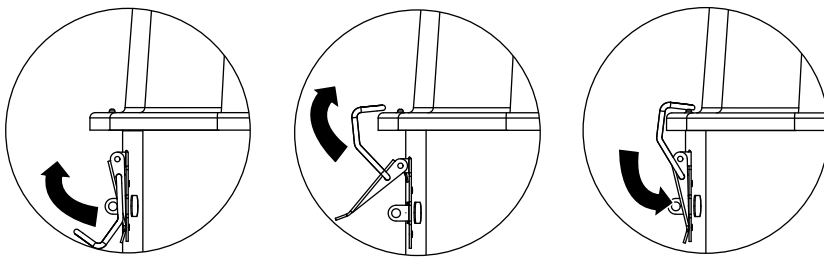
12

Coloque la placa de distribución

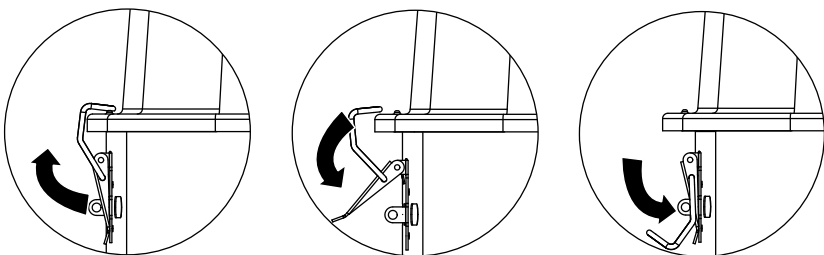


Instrucciones de armado (continuación)
13
Para cerrar la tapa con el seguro

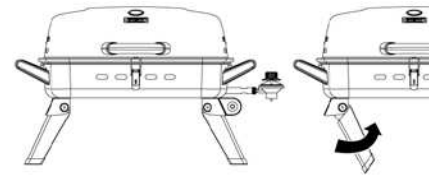
Nota: Cierre la tapa con seguro antes de transportar la parrilla.


Para abrir el seguro de la tapa

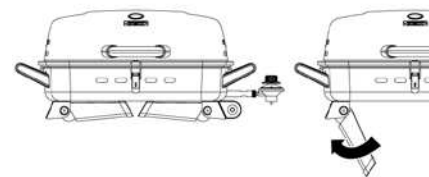
Nota: Siempre abra el seguro de la tapa, levante la tapa y déjela abierta antes de encender la parrilla.


14
Para plegar las patas

Nota: Cierre siempre la tapa antes de plegar las patas.


Para desplegar las patas

Nota: Abra siempre las patas completamente aseguradas en su lugar antes de encender la parrilla.



Instrucciones de operación

Esta parrilla ha sido diseñada para operar con un tanque de propano de una libra (aprox. 450 g) (cilindro DOT 39), de 7,75 pulg. (19,7 cm) ó 10,6 pulg. (26,9 cm) de altura, desechable, de 14,1 ó 16,4 onzas (vea Figura 1)

¡NO TRATE DE LLENAR TANQUES DE PROPANO DE UNA LIBRA (14,1 onzas/16,4 onzas)!

Conectar el tanque de gas propano líquido

Use únicamente tanques de gas marcados "propano."

Nota: Algunos tanques de gas de 1 libra (aprox. 450 g) pueden formar "escarcha" cuando están casi vacíos.

1. Asegúrese de que la perilla de control del regulador esté a la posición "🔒 APAGADO" vea la Figura 2.
2. Lubrique la rosca de la perilla de control del regulador con vaselina de petróleo. Alinee la rosca del tanque de propano con la perilla de control del regulador.
3. Inserte y gire el tanque de gas propano líquido en el sentido de las manecillas del reloj hasta que encaje firmemente. APRIETE A MANO SOLAMENTE. Tenga cuidado de no dañar la rosca al apretarlo en el tanque (vea Figura 3).
4. Haga una prueba de fugas. Vea la sección "Inspección de fugas."

Desconecte el tanque de gas propano líquido

1. Gire la perilla de control del regulador a la posición "🔒 APAGADO", vea Figura 2.
2. Gire el tanque de gas propano líquido en sentido contrario a las manecillas del reloj, hasta que se afloje (vea Figura 4).
3. Almacene el tanque de gas propano líquido en un lugar adecuado.

Detección de fugas

Conexiones del quemador

1. Asegúrese de conectar adecuadamente la perilla de control del regulador al quemador.
Nota: La tuerca de latón debe girarse ¼ a ½ vuelta una vez apretada. El regulador girará 360° aunque la tuerca de latón esté apretada. Si alguien armó la unidad para usted, verifique visualmente la conexión entre el tubo del quemador y la perilla de control del regulador (vea Figura 5).

⚠️ ADVERTENCIA: El no inspeccionar esta

Figura 1

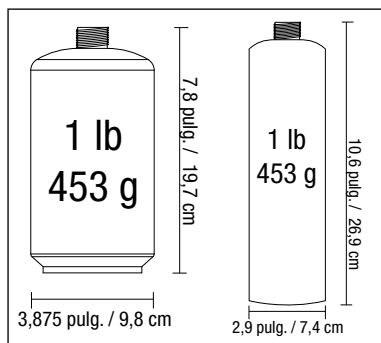


Figura 2

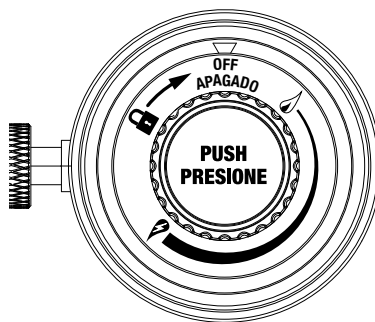


Figura 3

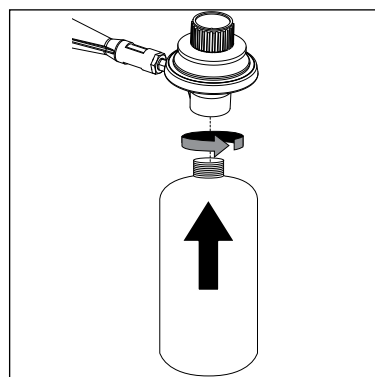


Figura 4

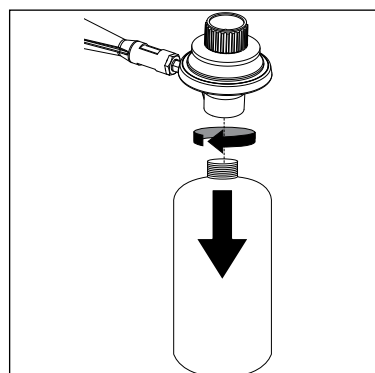


Figura 5



Uso por primera vez

1. Verifique que todos los empaques, etiquetas y etiquetas sean removidos de la parrilla.
2. Retire todo aceite de fabricación que encuentre en la parrilla por primera vez, encendiendo la parrilla por lo menos una vez con la tapa cerrada. Esto realizará una "limpieza" de la unidad y hará que los olores se disipen.

Encendido



- ⚠️ **PRECAUCIÓN: Mantenga el área de la parrilla limpia y libre de materiales combustibles y vapores inflamables.**
- ⚠️ **PRECAUCIÓN: No obstruya el flujo de aire en la unidad de gas. Arañas y otros insectos pueden formar sus nidos dentro y obstruir los orificios del quemador/tubo de venturi. Un tubo de gas obstruido puede provocar un incendio.**
- ⚠️ **PRECAUCIÓN: Revise y limpie el quemador para eliminar los insectos y nidos de insectos que pueden causar un incendio debajo de la parrilla.**
- ⚠️ **PRECAUCIÓN: No trate de encender la parrilla ya que puede causar una explosión.**
- ⚠️ **PRECAUCIÓN: Siempre abra las parrillas completamente y fijelas en su lugar antes de abrir la tapa o encender la parrilla.**

1. Abra la tapa.
2. Asegúrese de que no hay nada que obstruya el flujo de aire en la unidad de gas. Arañas y otros insectos pueden formar sus nidos dentro y obstruir los orificios del quemador/tubo de venturi. Un tubo de gas obstruido puede provocar un incendio.
3. Conecte el tanque de gas propano líquido siguiendo las instrucciones descritas en la sección "Conectar el tanque de gas propano líquido".
4. Gire la perilla de control a la posición 🔥 (alto).
5. Oprima el botón del encendedor varias veces (al menos 3 o 4 veces) para encender el quemador.
6. Si el quemador no se enciende en 5 segundos, gire la perilla de control del quemador a la posición "🔒 APAGADO", espere 5 minutos y vuelva a repetir el procedimiento de encendido.
7. En caso de que el encendedor no encienda el quemador, use una cerilla encendida para encender el quemador manualmente. Gane acceso al quemador por el agujero del fondo de la carcasa como se ilustra (vea Figura 6) en la posición 🔥 (bajo) y acerque la cerilla encendida al quemador.
8. Después de encender el quemador observe que los quemadores estén encendidos y que la altura de la llama sea adecuada.

⚠️ PRECAUCIÓN: Si la llama del quemador no funciona correctamente, cierre el gas inmediatamente al girar la perilla de control del regulador a la posición "🔒 APAGADO" durante 5 minutos para dejar que se disipen los gases antes de volver a encenderlo.

Instrucciones de operación (continuación)


Control de las llamaradas

- ▲ **PRECAUCIÓN:** No se pueden apagar fuegos de grasa cerrando la tapa.
 - En caso de fuego de grasa, gire la perilla de control del regulador a la posición “ APAGADO”. **NO** use agua en una llamarada de grasa. Esto puede ocasionar el salpique de la grasa y causar serias quemaduras, lesiones personales y otros daños.
 - No deje la parrilla sin supervisión al precalentar o quemar residuos de alimentos con la perilla en la posición  (alto). Si la parrilla no ha sido limpiada, puede incendiarse la grasa y dañar la parrilla.
- ▲ **ADVERTENCIA:** Cuando esté usando la parrilla, debe tener fácilmente a su alcance materiales para extinguir el fuego. En caso de una llamarada de aceite o de grasa, no trate de extinguirla con agua. Use un extinguidor de incendio de sustancias químicas secas, tipo BC, o asfíxiele el fuego con tierra, arena o soda de hornear. **NO** use agua para apagar el fuego.

La llamarada es parte de la cocción de carne en una parrilla y le da al asado un sabor único.


La generación excesiva de llamaradas puede recocer su comida y resultar peligroso.

Importante: Las llamaradas excesivas resultan de la acumulación de grasa en el fondo de la parrilla.

Si se presenta una llamarada de grasa, cierre la tapa de la parrilla **Y** gire la perilla de control del regulador a la posición “ APAGADO” hasta que toda la grasa se haya quemado. Cuando abra la tapa, tenga cuidado, pues repentinamente puede presentarse otra llamarada.

En caso de llamaradas excesivas, **NO** trate de extinguirlas con agua.

Haga mínimas las llamaradas

1. Retire el exceso de grasa de la carne antes de cocerla.
2. Cuando cueza carnes de alto contenido de grasa, ponga la parrilla a bajo fuego en la graduación  o cueza la carne a fuego indirecto.
3. Verifique que la parrilla ha quedado colocada sobre una superficie no combustible, nivelada y firme, y que la grasa pueda evacuarse hasta el recogedor de grasa.

Limpeza y cuidado

▲ PRECAUCIÓN:

1. Todas las operaciones de limpieza y mantenimiento deben realizarse con la parrilla fría y con el tanque de propano desconectado.
2. **NO** limpie ninguna pieza de esta parrilla en un horno de limpieza automática. El calor extremo dañará el terminado.
3. **NO** agrande los orificios de las válvulas ni los orificios de los quemadores al limpiar las válvulas o quemadores.


Avisos

1. Esta parrilla debe limpiarse y verificarse completamente de manera regular.
2. No use productos de limpieza abrasivos pues dañarán este aparato.
3. Nunca use ninguna pieza de esta parrilla en un horno de limpieza automática.


Cada vez que vaya a usar la unidad:

Limpeza y cuidado (continuación)

Limpeza del quemador

1. Gire la perilla de control del regulador a la posición “ APAGADO”.
Nota: El ruido de “puf” es normal cuando el residuo de gas propano licuado en la línea se ha extinguido.
2. Desconecte el tanque de propano de acuerdo con las instrucciones descritas en la sección “Desconectar el tanque de gas propano líquido.”
3. Retire el conjunto de perilla de control/regulador el resguardo contra el viento.
4. Retire las rejillas de cocción y la(s) placa(s) de distribución de calor.
5. Desconecte el alambre del encendedor (si aplicable).
6. Retire el quemador.
7. Retire de la superficie del quemador todo residuo de comida o suciedad.
8. Desconecte el alambre del electrodo.
9. Limpie el orificio de entrada del quemador con un cepillo pequeño de limpiar botellas o con chorro de aire comprimido.
10. Limpie cualquier orificio que encuentre tapado con un alambre rígido, tal como un sujetapapeles abierto.
11. Examine el quemador para detectar daños como rajaduras o huecos. Si encuentra algún daño reemplace el quemador con un quemador nuevo del fabricante.
12. Vuelva a instalar el quemador. Vuelva a conectar el encendedor (si aplicable) y coloque nuevamente el resguardo contra el viento y el regulador.
13. Vuelva a colocar la placa de distribución de calor y la rejilla de cocción.
14. Conecte el tanque de propano de acuerdo con las instrucciones descritas en la sección “Conectar el tanque de gas propano líquido.”
15. Haga una prueba de fugas de acuerdo con las instrucciones.

Antes de almacenar

1. Cierre la válvula del tanque de gas propano líquido (cerrado).
2. Gire la perilla del regulador a la posición “ APAGADO”.
Nota: El ruido de “puf” es normal cuando el residuo de gas propano licuado en la línea se ha extinguido.
3. Desconecte el tanque de propano de acuerdo con las instrucciones descritas en la sección “Desconectar el tanque de gas propano líquido.”
4. Limpie todas las superficies.
5. Cubra con una capa delgada de aceite de cocina para proteger las superficies de la oxidación excesivamente.
6. Si va a guardar la parrilla en interiores, desconecte el tanque de propano de acuerdo con las instrucciones descritas en la sección “Desconectar el tanque de gas propano líquido.”

**Para recetas, visite
BlueRhino.com/recipes**

**¿Necesita ayuda?
Llame al 1.800.762.1142.
No vuelva al lugar de compra.**

**Para piezas de
parts.BlueRhino.com
1.800.762.1142**

Registro del producto

Para beneficiar del servicio de garantía más rápidamente, sírvase registrar su unidad inmediatamente visitando nuestro sitio Internet BlueRhino.com/warranty o llamando al 1.800.762.1142.

Piezas de repuesto

Puede encontrar piezas de repuesto en parts.BlueRhino.com o llame al 1.800.762.1142.

Garantía limitada

Blue Rhino Sourcing, Inc. ("Blue Rhino") garantiza al comprador original al detal de este producto, y a ninguna otra persona, que si la unidad se arma y opera de acuerdo con las instrucciones impresas que la acompañan y por un período de un (1) año a partir de la fecha de compra, todas las piezas de este producto estarán libres de defectos en material y mano de obra. Blue Rhino podrá requerir prueba razonable de la fecha de compra. Por lo tanto, usted debe conservar el recibo de venta o la factura. Esta garantía limitada estará limitada a la reparación o reemplazo de las piezas que resulten defectuosas en condiciones de servicio y uso normal y las que un examen indique, a satisfacción de Blue Rhino, que están defectuosas. Antes de devolver cualquier pieza, comuníquese con el Departamento de Servicio al Cliente de Blue Rhino. Si Blue Rhino confirma el defecto y aprueba el reclamo, Blue Rhino decidirá reemplazar tales partes sin costo alguno. Si se le pide que devuelva las partes defectuosas, los costos de transporte deberán ser prepagados. Blue Rhino devolverá las partes al cliente con costo de transporte o envío prepagados.

Esta garantía limitada no cubre fallas o dificultades de operación debidas a accidente, abuso, mal uso, alteración, empleo en usos inapropiados, instalación defectuosa o mantenimiento o servicio inapropiado o falla en la realización de mantenimiento normal y rutinario como se prescribe en este manual del usuario. Además, la garantía limitada no cubre daños al terminado de la unidad, tales como rasguños, abolladuras, descoloridos, oxidaciones y otros daños causados por la intemperie después de la compra de la unidad.

Esta garantía limitada reemplaza cualquier otra garantía. Blue Rhino no asume ninguna responsabilidad por garantías de productos vendidos por quienes no sean distribuidores o vendedores al detal autorizados. Esta exención de responsabilidad incluye cualquier garantía de comerciabilidad o la garantía de aptitud para un propósito en particular. BLUE RHINO NO SE HACE RESPONSABLE POR NINGUNA GARANTIA IMPLICITA INCLUYENDO, SIN LIMITACIONES, LAS GARANTIAS IMPLICITAS DE COMERCIABILIDAD Y ADAPTABILIDAD A UN PROPOSITO PARTICULAR. BLUE RHINO NO ASUME RESPONSABILIDAD ANTE EL COMPRADOR O ANTE CUALQUIER TERCERA PERSONA POR DAÑOS ESPECIALES, INDIRECTOS, PUNITIVOS, INCIDENTALES O CONSECUENCIALES. Blue Rhino, además, no asume responsabilidad por garantías implícitas o expresas por defectos de mano de obra causados por terceras personas.

Esta garantía limitada le da al comprador derechos legales específicos y el comprador puede tener otros derechos según el lugar donde el comprador o la compradora residan. Ciertas jurisdicciones no permiten limitaciones en cuanto a la duración de una garantía implícita, de manera que esta limitación puede no ser aplicable a usted.

Blue Rhino no autoriza a ninguna persona o compañía para asumir por Blue Rhino cualquier otra obligación a responsabilidad relacionada con la venta, instalación, uso, remoción, devolución o reemplazo de este equipo y cualquier representación de esta naturaleza no obliga a Blue Rhino.

Blue Rhino Sourcing, Inc.
Winston-Salem, North Carolina 27105, EE.UU.
(800)-762-1142

Resolución de problemas

Problema	Causa posible	Prevención/solución
El quemador no se enciende utilizando el encendedor (si está incluido).	El tanque de gas propano está bajo o vacío.	Reemplace el tanque de gas propano.
	Fuga de gas propano.	1. Cierre la válvula del tanque de gas propano y asegurela en la posición "APAGADO". 2. Espere 5 minutos para dejar que se disipe el gas. 3. Siga las instrucciones "Detección de fugas de gas".
	Cables o electrodos cubiertos con restos de alimentos.	Limpie el cable y/o electrodo con alcohol.
	Los electrodos y los quemadores están mojados.	Séquelo con un paño.
	Electrodo agrietado o roto; chispas en las grietas.	Pueden necesitarse piezas de repuesto. Llame al Servicio al Cliente al 800.762.1142.
	Cable suelto o desconectado.	Puede ser necesario volver a conectarlo. Comuníquese con el Servicio al Cliente.
	El cable tiene un cortocircuito (chispeo) entre el encendedor y el electrodo.	Pueden necesitarse piezas de repuesto. Llame al Servicio al Cliente al 800.762.1142.
Encendedor defectuoso.	Pueden necesitarse piezas de repuesto. Llame al Servicio al Cliente al 800.762.1142.	
El quemador no se enciende con una cerilla.	No hay flujo de gas.	Compruebe si el tanque de propano está vacío. A. Si está vacío, reemplácelo. B. Si el tanque de propano líquido tiene un flujo repentino del flujo de gas o tamaño de llama.
	El tanque de gas propano está bajo o vacío.	Reemplace el tanque de gas propano.
	Fuga de gas propano.	1. Cierre la válvula del tanque de gas propano y asegurela en la posición "APAGADO". 2. Espere 5 minutos para dejar que se disipe el gas. 3. Siga las instrucciones "Detección de fugas de gas".
	La tuerca de acoplamiento no está conectada por completo.	Gire la tuerca de acoplamiento entrante hasta que haga tope con firmeza. Apriete con una herramienta.
	Obstrucción del flujo de gas.	Limpie los tubos del quemador. Verifique el manual del usuario.
	Telarañas o nidos de insectos en el venturi. Bocas del quemador atascadas u obstruidas.	Limpie el tubo de venturi. Limpie las bocas del quemador.
Caída repentina del flujo de gas o altura de la llama insuficiente.	Sin gas.	Reemplace el tanque de gas propano.
Falta de uniformidad en la llama, la llama no cubre toda la longitud del quemador.	Las bocas del quemador están atascadas u obstruidas.	Limpie las bocas del quemador.
La llama es de color amarillo o naranja.	Puede que el nuevo quemador tenga aceites residuales del proceso de fabricación.	Haga funcionar la parrilla durante 15 minutos en la posición (alto).
	Telarañas o nidos de insectos en el venturi.	Limpie el venturi.
	Restos de alimentos, grasa o sal para condimentar en el quemador.	Limpie el quemador.
	Alineación incorrecta entre la válvula y el quemador de venturi.	Asegúrese de que el venturi del quemador esté correctamente alineado con la válvula.
La llama se apaga.	Vientos fuertes o racheados.	No use la parrilla cuando hay viento fuerte.
	Nivel de gas del tanque de propano bajo.	Reemplace el tanque de gas propano.
	Válvula de exceso de flujo activada: puede que se haya activado el dispositivo de seguridad de exceso de flujo.	Consulte la sección de esta página "Problemas de llama insuficiente" de esta página.
Fogonazo.	Formaciones de grasa.	Quite y limpie las piezas de la parrilla con cuidado del manual del usuario.
	Carne con exceso de grasa.	Retire la grasa de la carne antes de cocinarla.
	Si está utilizando una temperatura excesiva para cocinar.	Ajuste (baje) la temperatura según las instrucciones.
La grasa provoca un fuego persistente	Grasa atascada por la acumulación de comida alrededor del quemador.	1. Gire la perilla de control a la posición (alto). 2. Deje la tapa cerrada y deje que se cocine la comida.

**Para recetas, visite
BlueRhino.com/recipes**

**¿Necesita ayuda?
Llame al 1.800.762.1142.
No vuelva al lugar de compra.**

**Para piezas de
parts.Bl
1.800**