

OWNER'S MANUAL



3-BURNER OUTDOOR STOVE

Model #3338



Keep your receipt with this manual for Warranty.

CUSTOMER SERVICE

1-912-638-4724

Service@CharGriller.com

Danger

- Never operate this appliance unattended.
- Never operate this appliance within 10 ft (3.0 m) of any structure, combustible material or other gas cylinder.
- Never operate this appliance within 25 ft (7.5 m) of any flammable liquid.
- Heated liquids remain at scalding temperatures long after the cooking process.
- Never touch cooking appliances until liquids have cooled to 115°F (45°C) or less.
- If a fire should occur, keep away from the appliance and immediately call your fire department. Do not attempt to extinguish an oil or a grease fire with water.

Failure to follow these instructions could result in fire, explosion or burn hazards which could cause property damage, personal injury or death.

Contents of this manual are Trademarked and Copyrighted by Char-Griller® | A&J Manufacturing
Using the information contained in this manual without consent of Char-Griller® and/or A&J Manufacturing is strictly prohibited.

**This Page Intentionally
Left Blank**



TABLE OF CONTENTS

Safety Warnings & Warranty.....A-1
Assembly Instructions B-1
Product Usage C-1
Accessories D-1



Danger

If you smell gas:

1. Shut off gas to the appliance.
2. Extinguish any open flame.
3. If odor continues, keep away from the appliance and immediately call your gas supplier or fire department.

Failure to follow these instructions could result in fire or explosion which could cause property damage, personal injury or death.



Warning

1. Do not store or use gasoline or other flammable liquids or vapors in the vicinity of this or any other appliance.
2. An LP cylinder not connected for use shall not be stored in the vicinity of this or any other appliance.



Warning

For Outdoor Use Only.



IMPORTANT SAFETY WARNINGS

An LP cylinder is required for operation. This outdoor stove is not intended for commercial use.

SAVE THESE INSTRUCTIONS FOR FUTURE REFERENCE. IF YOU ARE ASSEMBLING THIS UNIT FOR SOMEONE ELSE, GIVE THIS MANUAL TO HIM OR HER TO SAVE FOR FUTURE REFERENCE.

WARNING:

Improper installation, adjustment, alteration, service, or maintenance could cause injury or property damage. Read the installation, operation, and maintenance instructions thoroughly before assembling or servicing this outdoor stove. Failure to follow these instructions could result in fire or explosion that could cause property damage, personal injury, or death.

DANGER:

DO NOT use outdoor stove for indoor cooking or heating. TOXIC fumes can accumulate and cause asphyxiation. Do not use in or on boats or recreational vehicles.

WARNING:

Accessible parts may be very hot. Keep young children away. Read the instruction literature before using the outdoor stove. The use of unauthorized parts can create unsafe conditions and environment.

NOTE: The use and installation of this outdoor stove must conform to local codes or, in absence of local codes, the Natural Gas and Propane Installation Code, CSA B149.1, or the Propane Storage and Handling Code, CSA B149.2, or the National Fuel Gas Code, ANSI Z223.1/NFPA 54, Storage and Handling of Liquefied Petroleum Gases, ANSI/NFPA 58.

IMPORTANT NOTICE: Read all instructions prior to assembly and use. Read and understand all warnings and precautions prior to operating your outdoor stove.

READ ALL SAFETY WARNINGS AND INSTRUCTIONS CAREFULLY BEFORE ASSEMBLING AND OPERATING YOUR OUTDOOR STOVE



WARNING: FUELS USED IN LIQUEFIED PROPANE GAS APPLIANCES, AND THE PRODUCTS OF COMBUSTION OF SUCH FUELS, CAN EXPOSE YOU TO CHEMICALS INCLUDING BENZENE, WHICH IS KNOWN TO THE STATE OF CALIFORNIA TO CAUSE CANCER AND CAUSE BIRTH DEFECTS OR OTHER REPRODUCTIVE HARM. *For more information go to: www.P65Warnings.ca.gov.*

ADVERTENCIA: LOS COMBUSTIBLES USADOS EN EQUIPOS PARA LICUAR GAS PROPANO, ASÍ COMO LOS PRODUCTOS DE SU COMBUSTIÓN, PUEDEN EXPONERTE A SUSTANCIAS QUÍMICAS, ENTRE ELLAS EL BENCENO, QUE EL ESTADO DE CALIFORNIA RECONOCE COMO CAUSA DE CÁNCER Y DE MALFORMACIONES CONGÉNITAS Y OTROS DAÑOS AL SISTEMA REPRODUCTOR. *Para más información, visite www.P65Warnings.ca.gov.*

Read the following instructions carefully and be sure your outdoor stove is properly assembled, installed and maintained. Failure to follow these instructions may result in serious bodily injury and/or property damage. If you have any questions concerning assembly or operation, consult your dealer or LP gas company.

- While in-use, always place the outdoor stove and LP cylinder on flat level ground. Outdoor stove can be used with 20lb LP cylinder. This appliance is designed to operate at an inlet pressure of: 11 inches water column.
- Purchase LP cylinders only with these required measurements: 12" (30.5 cm) (diameter) x 18" (45.7 cm) (tall) with 20lb (9kg) capacity.
- DO NOT move the outdoor stove during use.
- DO NOT attempt to disconnect any gas fittings while outdoor stove is in use.
- DO NOT use LP cylinder if the cylinder and/or valve are damaged, rusty, or dented as this may be hazardous. Contact your supplier to have it checked.
- DO NOT lean over an open outdoor stove and be mindful of hands/fingers near the edge of the cooking area.
- Should a fire occur, turn off all gas burners, close the lid (if available), and stand back until fire is out.
- Should flames go out while in operation, turn off all gas valves and leave lid open (if available). Return to outdoor stove after five (5) minutes and try to relight the burners – follow lighting instructions.
- Keep children and pets away from outdoor stove when in use. Some parts of the outdoor stove will become very hot.
- When cleaning the valves and burners, be careful not to stretch the valve orifices or burner ports.
- Move gas hoses as far away as possible from hot surfaces and dripping hot grease.
- Gas may still be present in a cylinder that appears to be empty. Adhere to proper transportation/storage of the LP cylinder at all times.
- If gas is leaking from LP cylinder, move away from LP cylinder immediately and call your gas supplier or fire department. DO NOT try to address problem yourself.
- DO NOT use a flame to check for gas leaks.
- DO check for gas leaks and any obstructions to burners before use. This is especially important after a period of storage or non-use.
- The flexible hose should be changed whenever it is damaged or cracked or by expiration date printed on the tubing. Or, change hose every five (5) years.
- Always connect or replace cylinder in a well-ventilated area, and never in the presence of a flame, spark or heat source.
- Outdoor stove must be kept away from flammable materials.
- Turn off gas supply at LP cylinder after use.
- DO NOT alter this outdoor stove in any manner.
- DO NOT touch metal parts of outdoor stove until it has completely cooled (about 45 minutes) to avoid burns, unless you are wearing protective gear (BBQ mittens, pot holders, etc.).
- Note, parts sealed by manufacturer or its agent must not be altered.
- When assembling the outdoor stove, position the flexible hose to prevent twisting and/or entanglement.
- Stay away from any source of ignition when changing LP cylinder.
- When assembling the outdoor stove, do not obstruct ventilation openings of outdoor stove's container compartment. Char-Griller® reserves the right to make minor technical adjustments to the device.



- This outdoor stove is only intended for heating water (not oil or grease).
- 1. Never fill the LP cylinder beyond 80% full, as this may result in a fire and cause serious injury or death.
- 2. DO NOT store a spare LP cylinder under or near this outdoor stove, and:
- 3. If the instructions in 1 and 2 are not followed exactly, a fire causing death or serious injury may occur.

CAUTION

- This outdoor stove is for use with propane gas only (LP cylinder not included).
- Never attempt to attach this outdoor stove to the self-contained propane system of a camper trailer, motor home, or house.
- The LP cylinder must be constructed and marked in accordance with the specifications for LP cylinders of the U.S. Department of Transportation (DOT) CFR 49., or the Standard for Cylinders, Spheres and Tubes for the Transportation of Dangerous Goods, CAN/CSA-B339.
- The LP cylinder must be provided with a listed overfilling prevention device.
- The LP cylinder must be provided with a cylinder connection device compatible with the connection for outdoor cooking outdoor stoves.
- This gas outdoor stove is not intended for use on recreation vehicles and/or boats.
- DO NOT use outdoor stove unless it is completely assembled and all parts are securely fastened and tightened.
- Keep all combustible items and surfaces at least 10 ft (3.05 M) away from outdoor stove at all times.
- DO NOT use this outdoor stove or any gas product near unprotected combustible constructions.
- DO NOT use in an explosive atmosphere. Keep outdoor stove area clear and free from combustible materials, gasoline and other flammable vapors and liquids.
- Never keep a filled LP cylinder in a hot car or car trunk. Heat will cause gas pressure to increase, which may open relief valve and allow gas to escape.
- Keep outdoor stove's valve compartment, burners and circulating air passages clean. Inspect outdoor stove before each use.
- Storage of an outdoor stove indoors is permissible only if the LP cylinder is disconnected and removed from the outdoor stove.
- LP cylinders must be stored outdoors out of the reach of children and shall not be stored in a building, garage, or other enclosed area.
- The LP cylinder must be arranged for vapor withdrawal.
- If the LP cylinder used is in excess of 2.2 lb. (1.00 kg) propane capacity, it must include a collar to protect the LP cylinder valve.

WARNING

- This outdoor stove is for outside use only, and should not be used in a building, garage, or any other enclosed area.
- The use of alcohol, prescription or non-prescription drugs may impair the operator's ability to properly assemble or safely operate the outdoor stove.
- Always open outdoor stove lid (if available) slowly and carefully as heat and steam trapped within the outdoor stove may result in a severe burn or cause other bodily harm.
- Always place outdoor stove on a stable, noncombustible surface far away from combustibles. An asphalt or blacktop surface may not be acceptable for this purpose.
- The outdoor stove shall not be used on or under any apartment or condominium balcony or deck.

- DO NOT leave a lit gas outdoor stove unattended. Keep children and pets away from outdoor stove at all times.
- DO NOT place outdoor stove on any type of tabletop surface.
- DO NOT use outdoor stove in high winds.
- Disconnect the LP cylinder by first turning off valve on top of the cylinder, turn off burner valves, then disconnect regulator from valve on propane tank by turning plastic connector counterclockwise.
- Avoid burning of or impact with the outdoor stove to prevent spillage or splashing of hot cooking liquid.
- Never drop food or accessories into hot cooking liquid. Lower accessories and food slowly into the cooking liquid in order to prevent splashing or overflow. When removing food from the outdoor stove, care shall be taken to avoid burns from hot cooking liquids.
- DO NOT place empty cooking vessel on the outdoor stove while in operation. Use caution when placing anything in cooking vessel while the outdoor stove is in operation.
- Never overfill the cooking vessel with water.
- DO NOT operate with legs in the folded position. This stove is only intended to operate freestanding with the legs fully extended and locked into position.
- This outdoor stove is not intended for and should never be used as a heater.
- Never use a cooking vessel larger than the capacity and diameter recommended by the manufacturer (no larger than 10 in. in diameter).
- Place dust cap on LP cylinder valve outlet whenever the LP cylinder is not in use. Only install the type of dust cap on the LP cylinder valve outlet that is provided with the LP cylinder valve. Other types of caps or plugs may result in leakage of propane.

DANGER

- Liquid propane (LP) gas is flammable and hazardous if handled improperly. Know its characteristics before using any propane product.
- Propane Characteristics: flammable, explosive under pressure, heavier than air and settles in pools and low areas.
- In its natural state, propane has no odor. For your safety, an odorant has been added.
- Contact with propane can cause freeze burns to skin.
- Never use an LP cylinder with a damaged body, valve, collar or footing.
- Dented or rusted LP cylinders may be hazardous and should be checked by your propane gas supplier.
- Use caution when assembling and operating your outdoor stove to avoid scrapes or cuts from sharp edges.
- Use caution when moving outdoor stove to prevent strains.
- Never move outdoor stove when it is in use or hot. Allow the cooking vessel to cool to 115°F (45°C) before moving or storing.
- To protect against bacteria that could cause illness, keep all meats refrigerated and thaw in refrigerator or microwave. Keep raw meats separate from other foods, and wash everything that comes in contact with raw meat.
- Cook meat thoroughly, and refrigerate leftovers immediately.
- Use a calibrated food thermometer and the USDA guidelines to ensure that meat, poultry, seafood, and other cooked foods reach a safe minimum internal temperature.
- Have a fire extinguisher near at all times. Maintain and check your fire extinguisher regularly.



***** STOP! CALL  FIRST! *****

Do NOT Return Product to Store.

This outdoor stove has been made according to the highest of quality standards. If you have any questions not addressed in this manual, or, if you need a replacement part(s), please contact Char-Griller® Customer Service via phone at 1-912-638-4724 (USA) or via email at Service@CharGriller.com. To ensure a quick and accurate resolution, please locate and record your outdoor stove's serial number prior to reaching out.

REGISTER YOUR OUTDOOR STOVE:

To take full advantage of the Char-Griller® warranty be sure to register your outdoor stove by visiting www.CharGriller.com/Register or calling Customer Service at **1-912-638-4724**.

Registration provides important protections:

1. In the extremely unlikely event of a product recall, Char-Griller® can easily contact you and rectify the issue.
2. If a warranted part is broken or missing, Char-Griller® can send you the needed parts promptly.

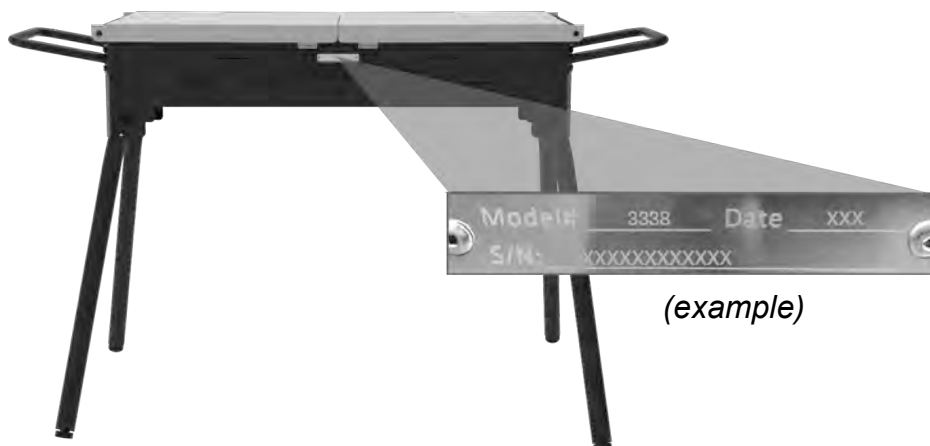
NOTE: You will need your model #, serial number, and a copy of the original sales receipt when registering.



Document Your Serial Number HERE:

(Serial number is located on the back of the outdoor stove body or on the leg.)

(SERIAL #)



(example)

WARRANTY INFORMATION

A COPY OF THE DATED PROOF OF PURCHASE (RECEIPT) IS REQUIRED WHEN REGISTERING OR SUBMITTING A WARRANTY* CLAIM. PLEASE RETAIN A COPY OF THE RECEIPT FOR YOUR RECORDS.

Char-Griller® will replace any defective part of its grillers/smokers, under warranty, as outlined below.

PLEASE READ THIS INFORMATION IN DETAIL AND IF YOU HAVE ANY QUESTIONS CONTACT CUSTOMER SERVICE AT 1-912-638-4724 OR SERVICE@CHARGRILLER.COM.

Charcoal / Pellet / Kamado Grills	
Grill - Hood and Body (excludes removable Ash Pan)	5 years from date of purchase for rust through / burn through
Ash Pan and Defective Parts	1 year from date of purchase
Gas Grills / Outdoor Stoves	
Grill Hood and Main Burner Tubes (excludes Side Burner)	5 years from date of purchase for rust through / burn through
Grill Body and Side Burner and Defective Parts	1 year from date of purchase
Griddles	
All Defective Parts	1 year from date of purchase
Dual Fuel Grills (Gas & Charcoal)	
Charcoal Grill - Hood and Bottom and Gas Grill Hood (TOP half) and Main Burner Tubes (excludes Ash Pan and Side Burner)	5 years from date of purchase for rust through / burn through
Ash Pan and Defective Parts and Gas Grill Body (BOTTOM half) and Side Burner	1 year from date of purchase
Parts, Accessories, and Grill Covers	1 year from date of purchase (seam tears only for covers)

SURFACE RUST IS NOT CONSIDERED A MANUFACTURING OR MATERIALS DEFECT

Char-Griller® outdoor stoves are made of steel, and, if exposed to the elements, rust will occur naturally. Please refer to the section entitled, "Usage" to review how to care for your outdoor stove properly.

Surface issues such as scratches, dents, corrosion, or discoloring caused by heat, abrasive cleaners, or rust are NOT covered under warranty.

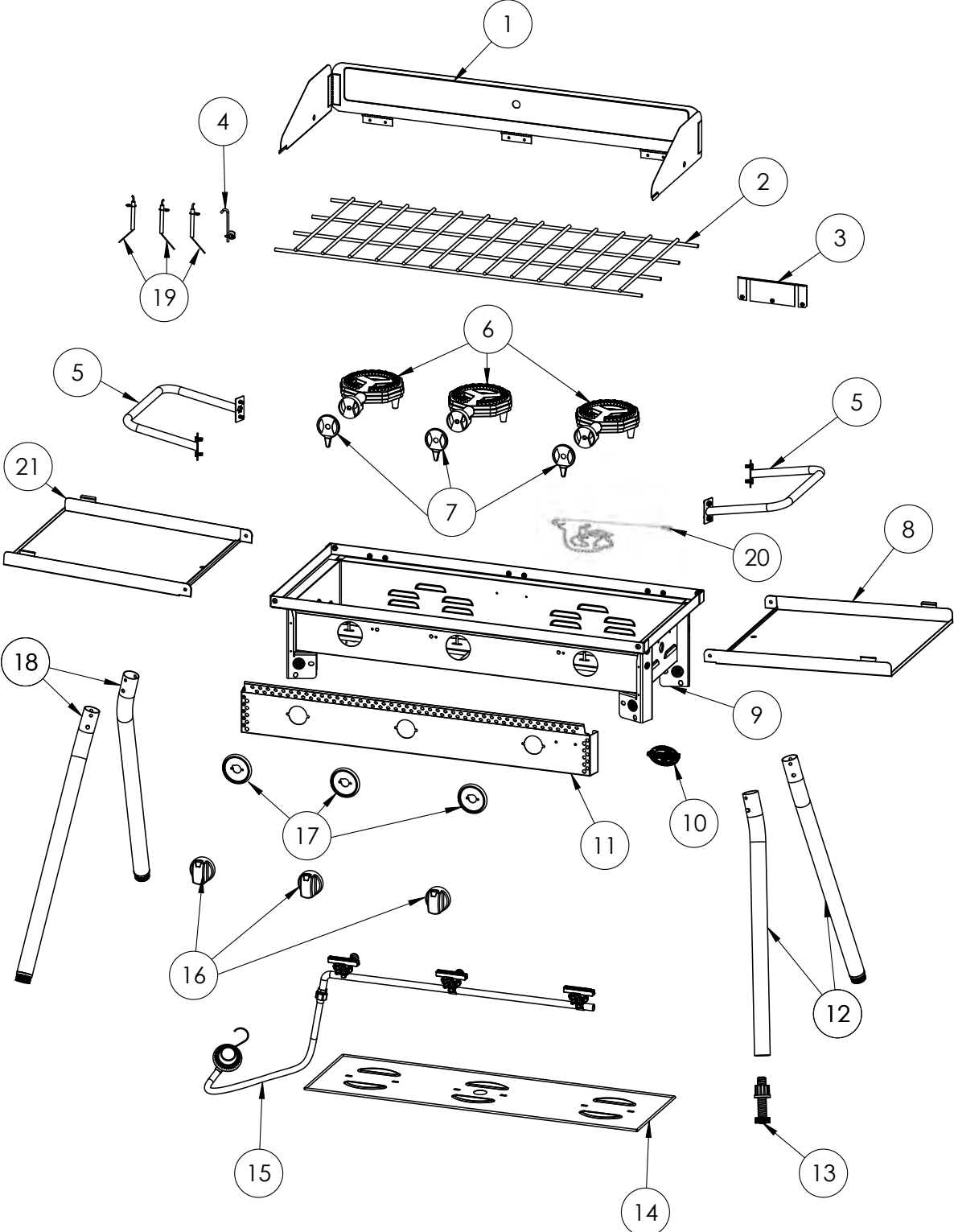
Warranties are for the replacement of defective parts only. Char-Griller® is not responsible for damage resulting from accident, alteration, misuse, abuse, hostile environments, improper installation, and installation not in accordance with local codes of service of unit.

Excluded Under ALL Warranties

Paint; Surface Rust; Heat Damage; Incorrect Parts ordered by customer, including shipping; Worn Parts; Missing or damaged parts not reported within two (2) months of purchase date; Defective parts not reported within one (1) year of purchase date; Fading grill cover.

*NOTE: For warranty claims, photos and prepaid return of the item in question may be required. Misuse, abuse, or commercial use nullifies all warranties.

ASSEMBLY INSTRUCTIONS





PARTS LIST


Item	QTY	Part Name
1	1	WIND SCREEN
2	1	STOVE GRATE
3	1	STOVE GRATE HOLDING BRACKET
4	1	STOVE GRATE HOOK
5	2	SIDE HANDLE
6	3	BURNER ASSEMBLY
7	3	BURNER AIR DAMPER
8	1	RIGHT SIDE SHELF
9	1	STOVE BODY
10	1	LOGO PLATE
11	1	CONTROL PANEL
12	2	RIGHT LEG ASSEMBLY
13	4	LEG ADJUSTER SCREW
14	1	BODY HEAT DEFLECTOR
15	1	HOSE VALVE REGULATOR ASSEMBLY
16	3	KNOB
17	3	KNOB BEZEL
18	2	LEFT LEG ASSEMBLY
19	3	IGNITER
20	1	IGNITION CHAIN
21	1	LEFT SIDE SHELF

HARDWARE NEEDED

Tools Needed: Phillips Head Screwdriver and/or a 7/16" Nut Driver.

****NOTE: DO NOT fully tighten any bolts until instructed to do so. Tightening too soon may prohibit parts from fitting together. All hex nuts should be on the inside of the outdoor stove unless stated otherwise. Unpack all contents in a well cleared and padded area.****

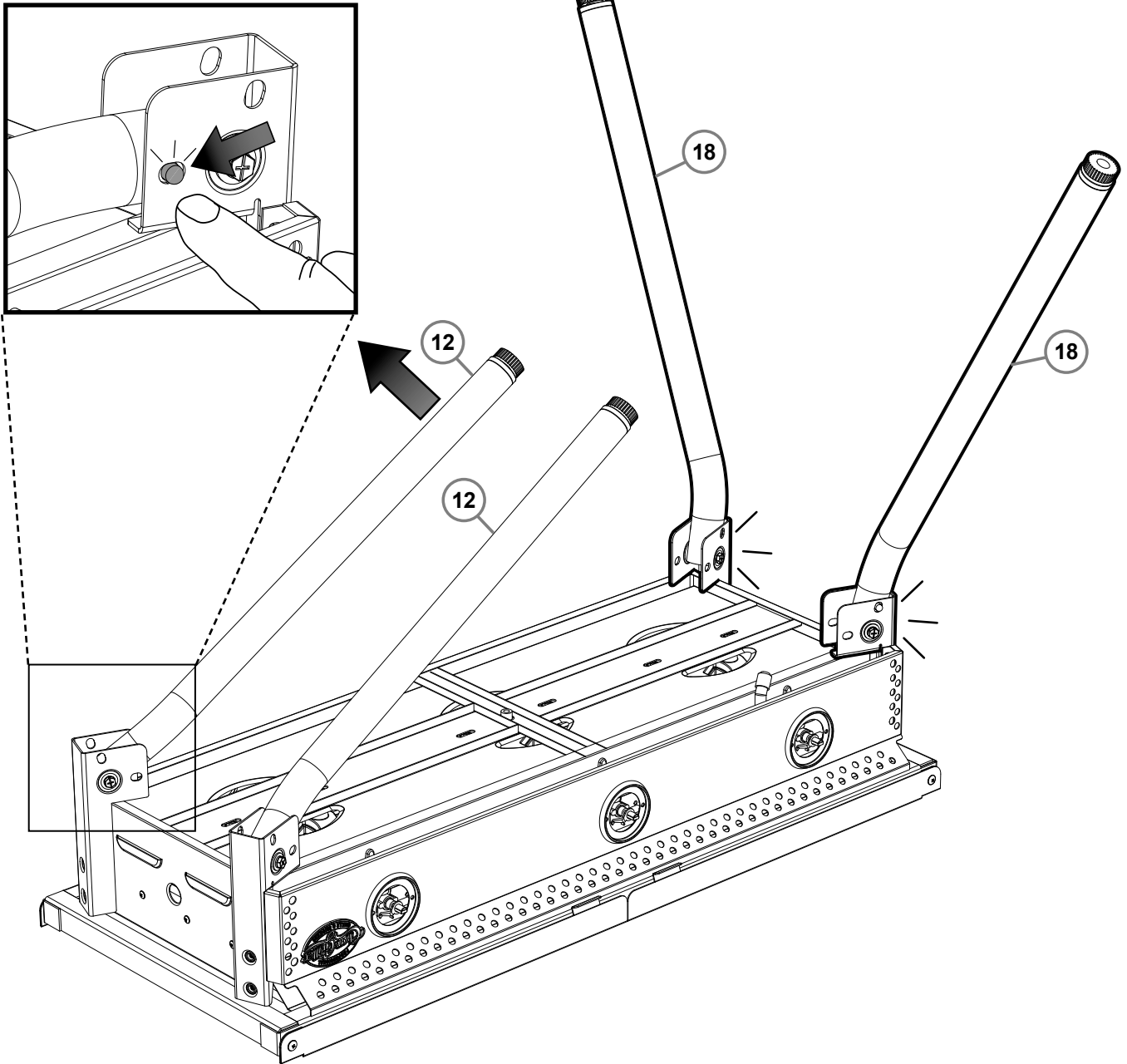
Estimated Time: 15 minutes

Part No.	Description	Photo	QTY
A	1/4-20 x 1/2" HEX BOLT		8

Hardware Pack #551172

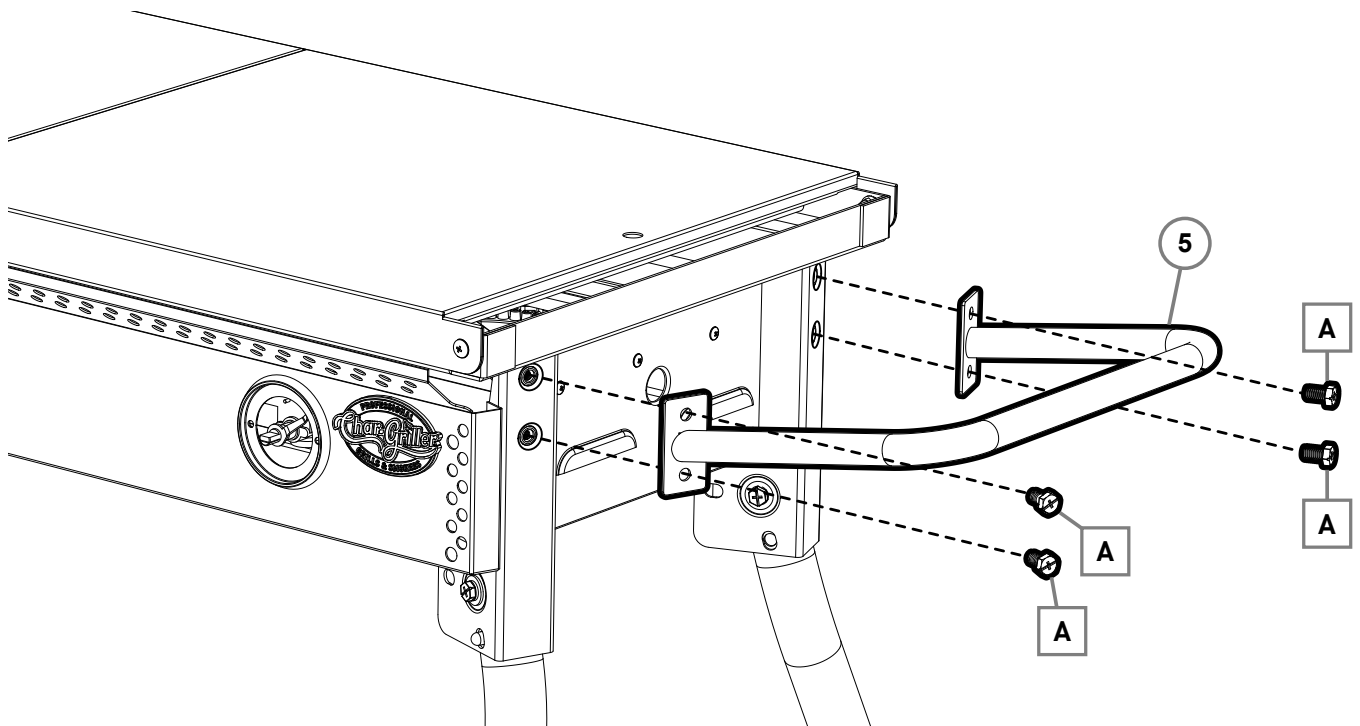
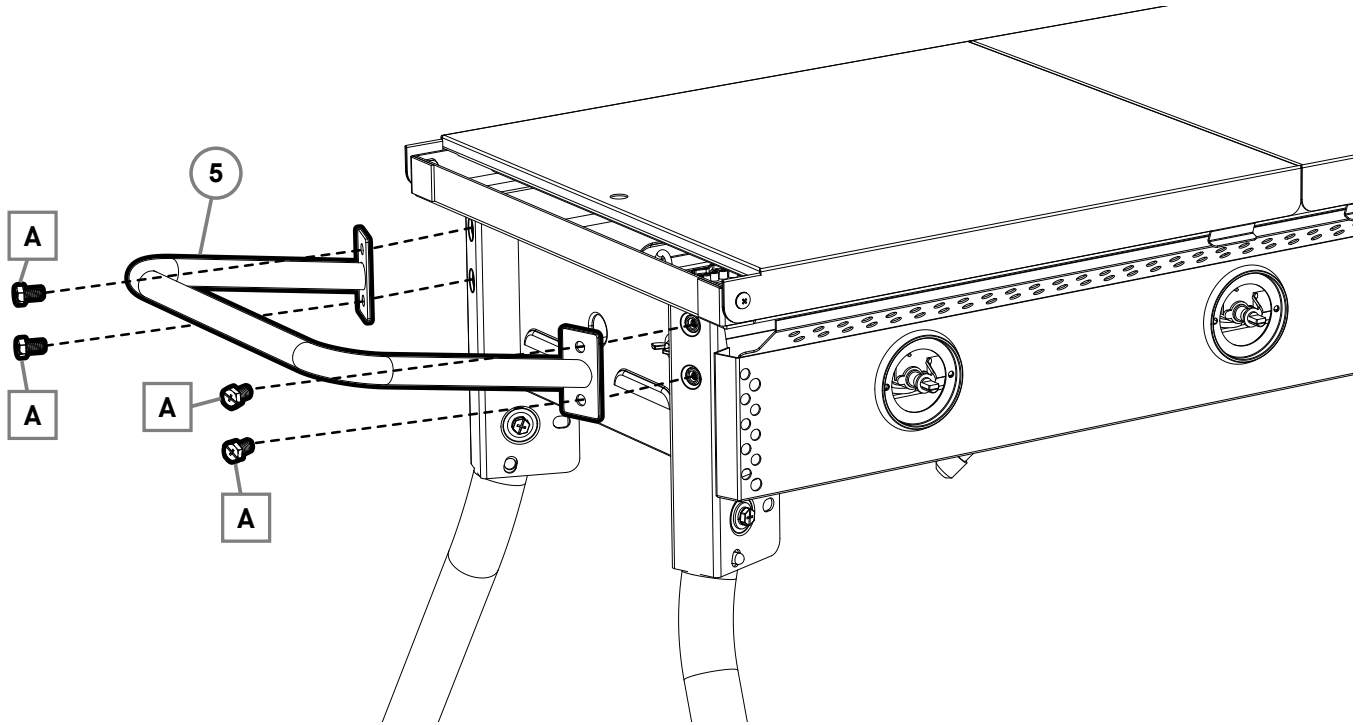
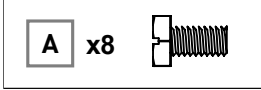
STEP 1

PRESS TO RELEASE

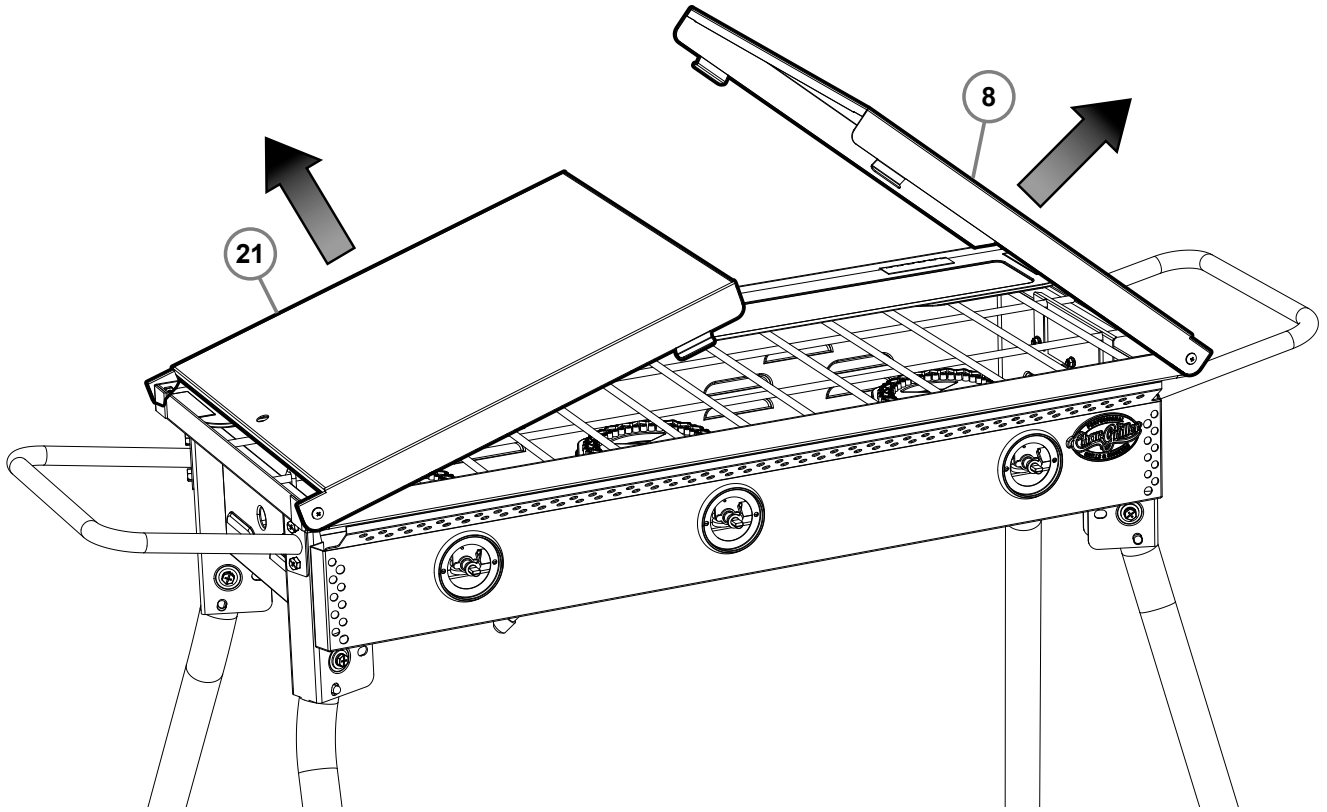




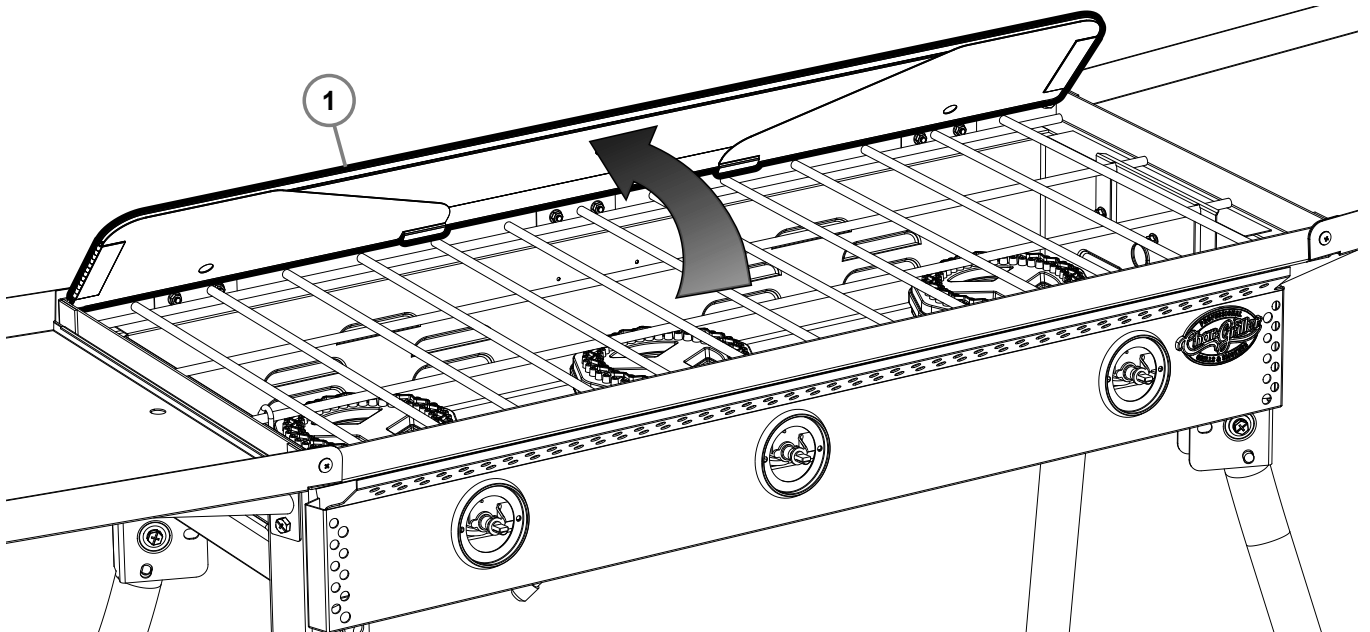
STEP 2



STEP 3

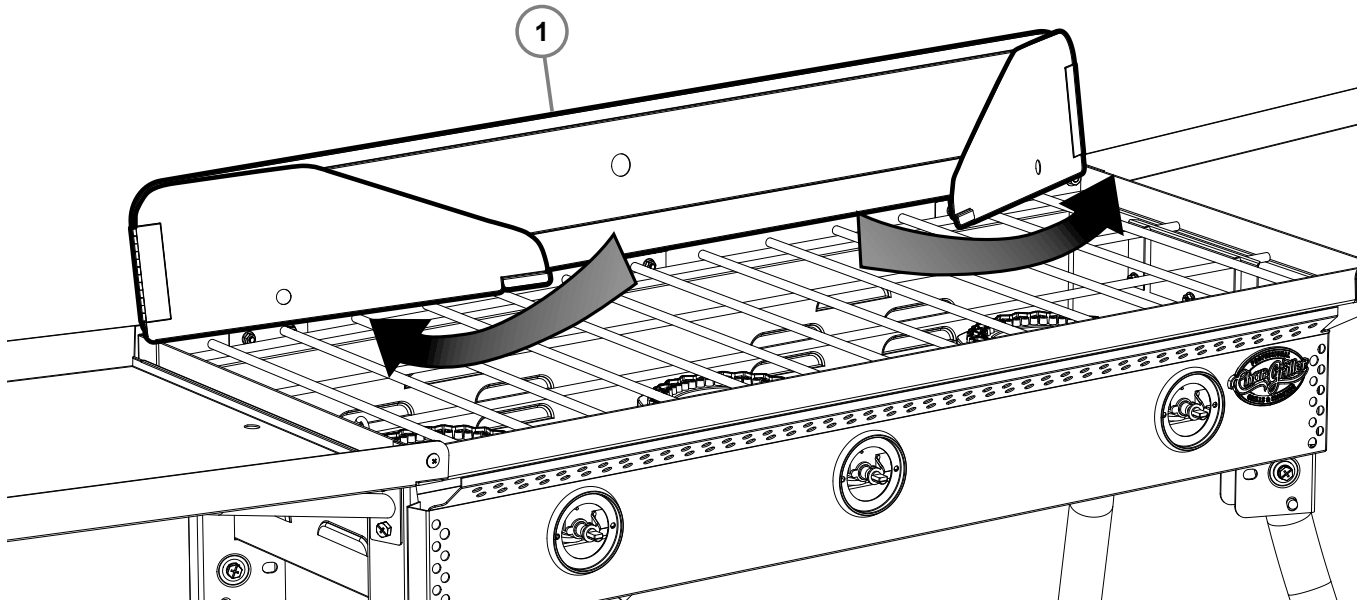


STEP 4A

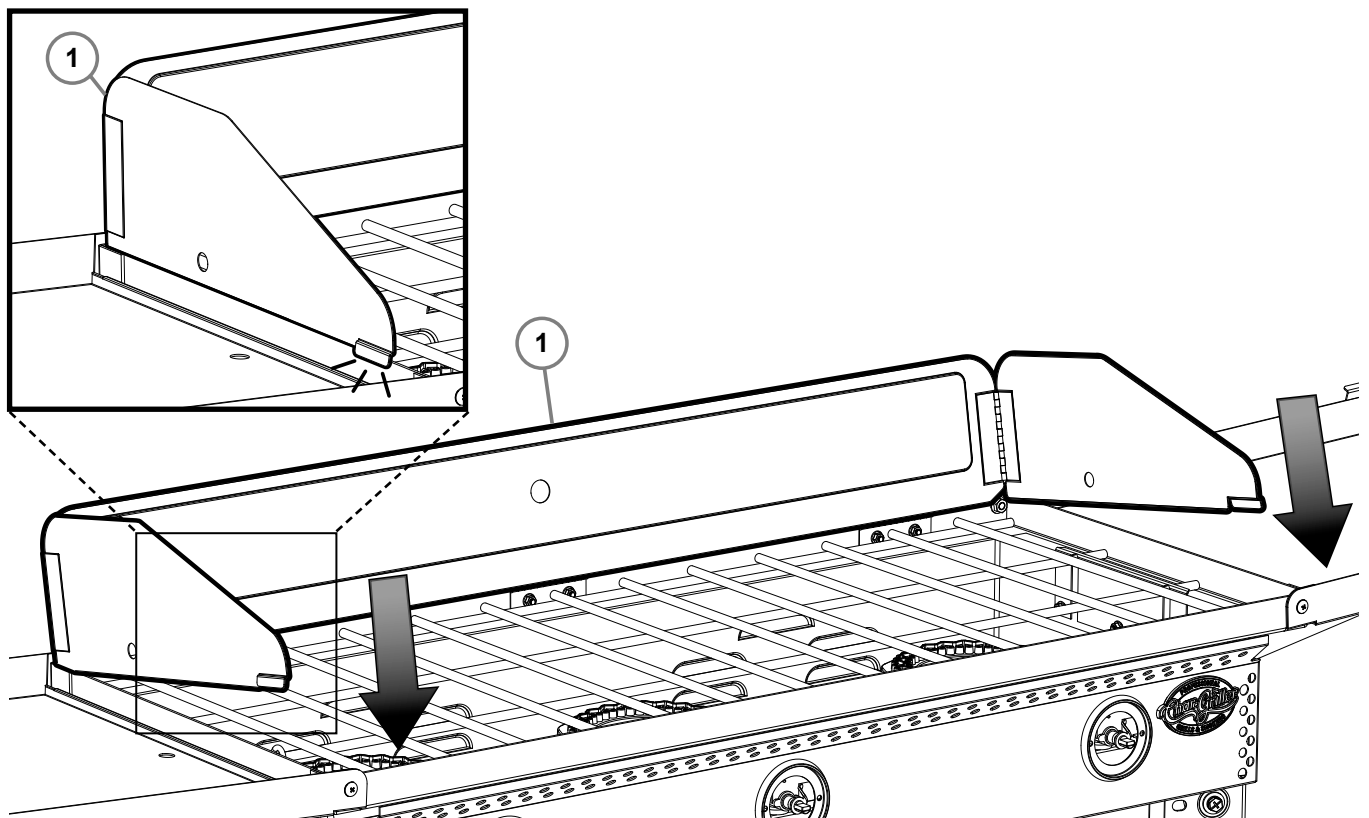




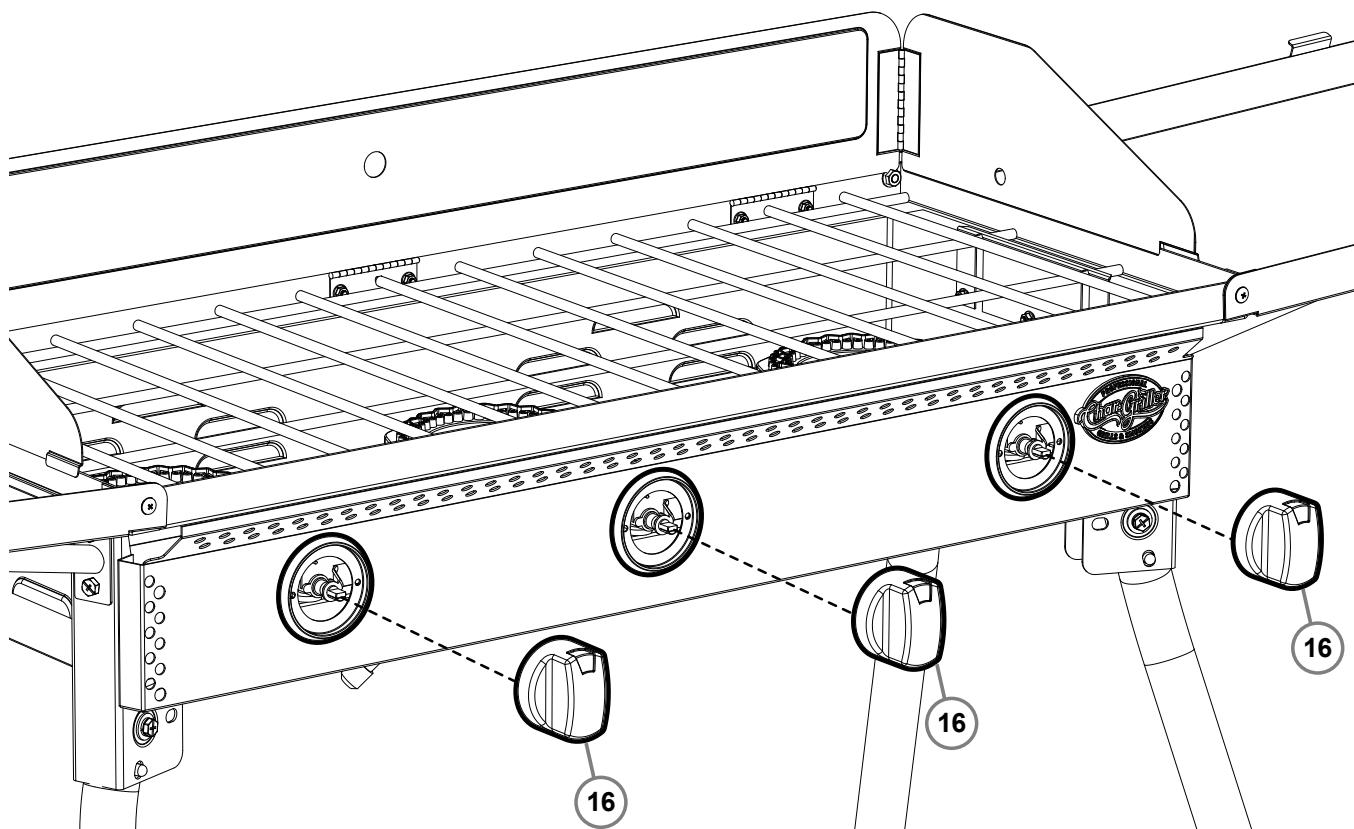
STEP 4B



STEP 4C



STEP 5



STEP 6

To ensure sturdy assembly,
tighten all BOLTS.

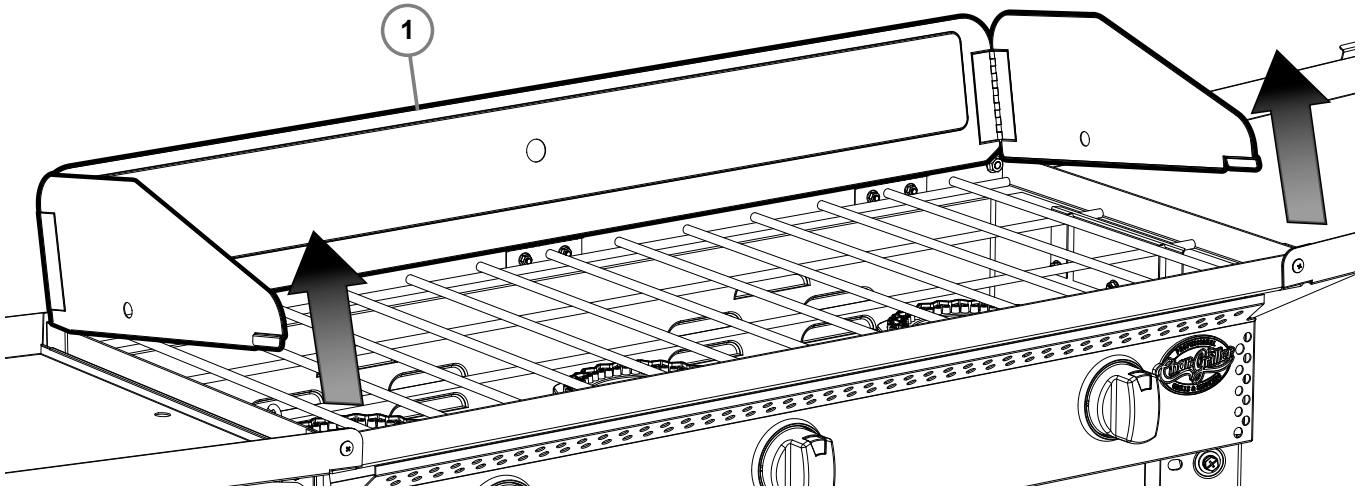


FULLY ASSEMBLED

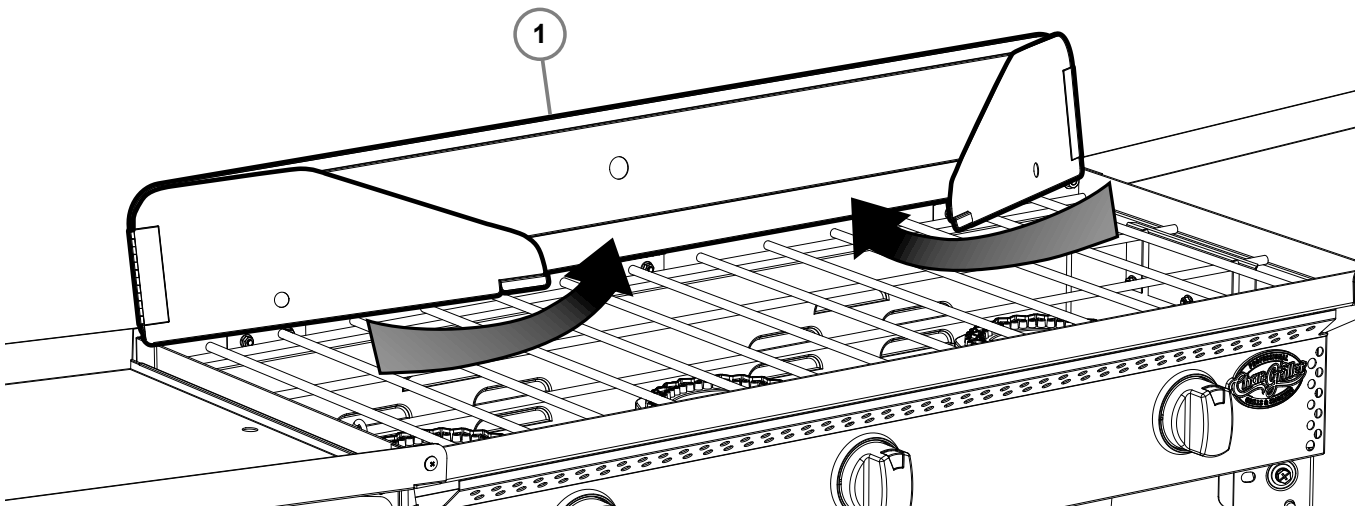


FOLDING YOUR OUTDOOR STOVE

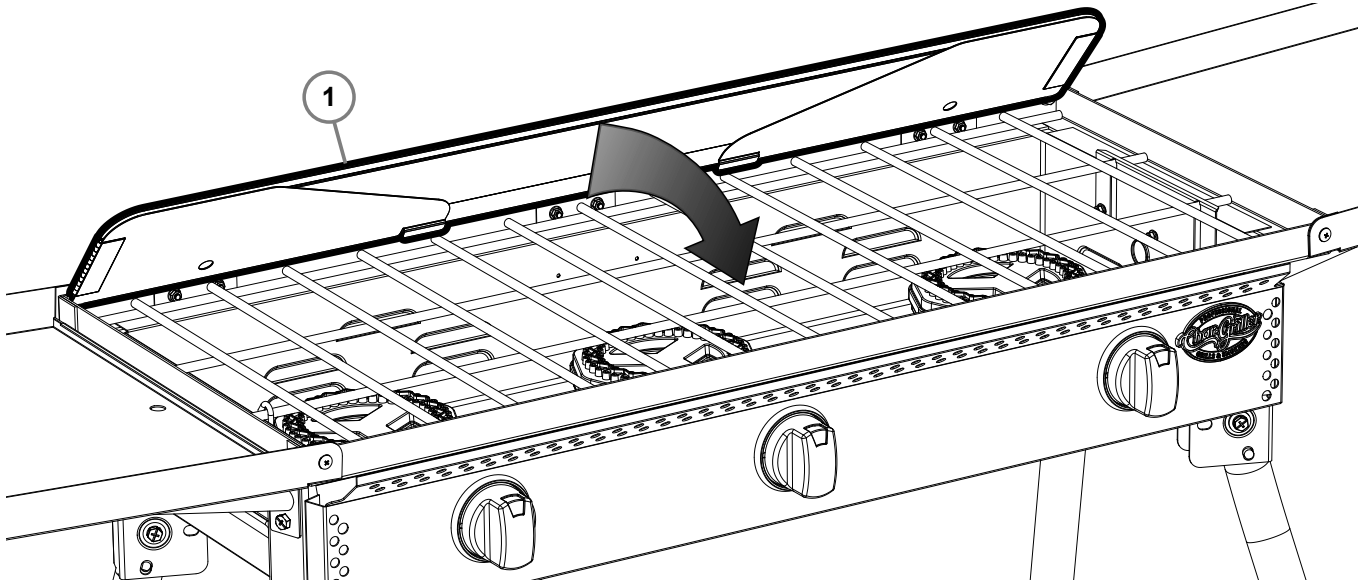
STEP 1A



STEP 1B

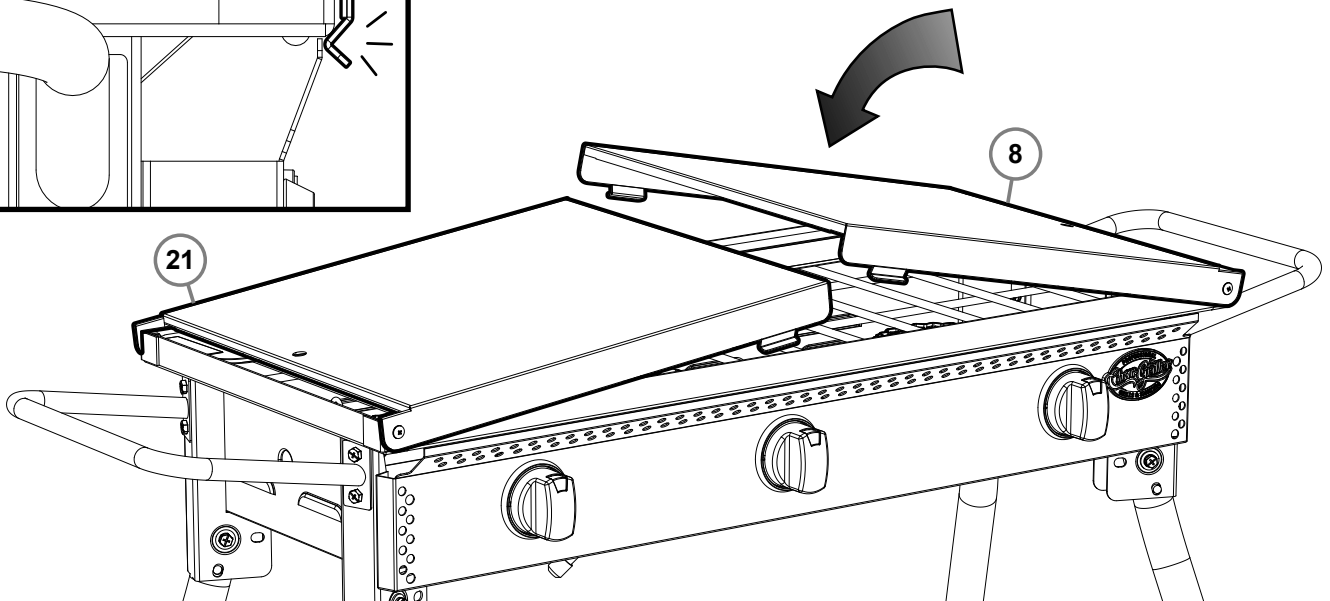
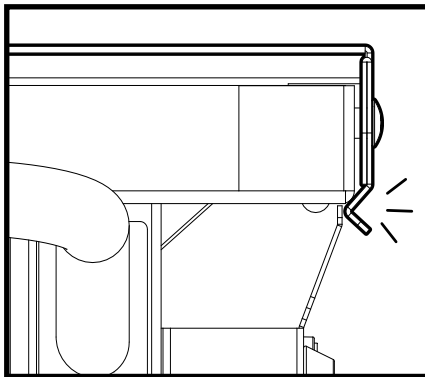


STEP 1C



STEP 2

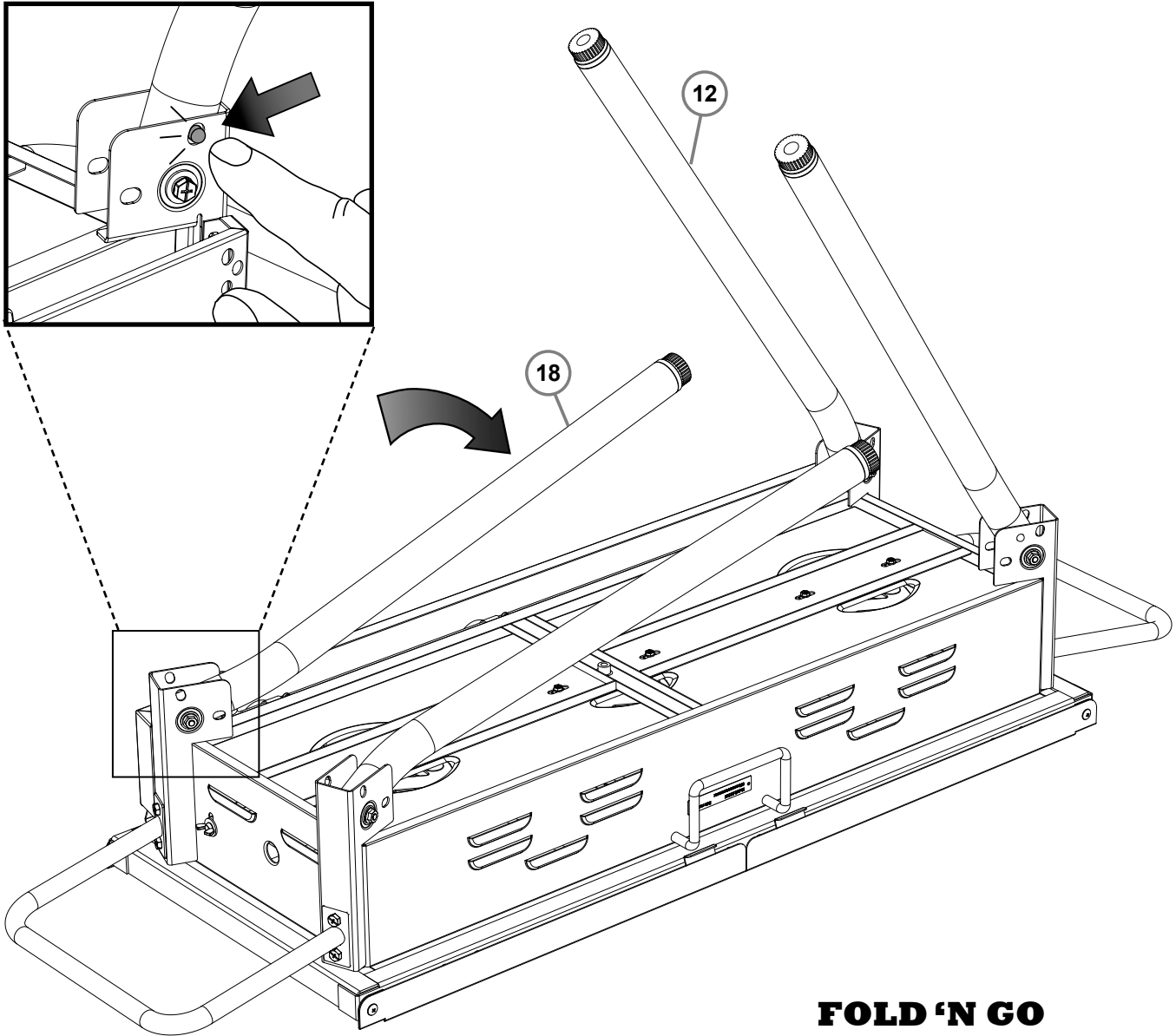
LATCH SECURELY



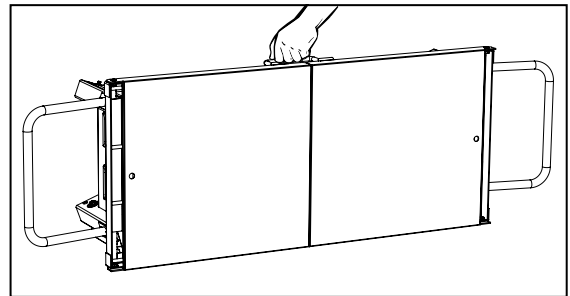


STEP 3

PRESS TO RELEASE



FOLD 'N GO



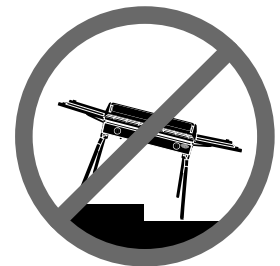
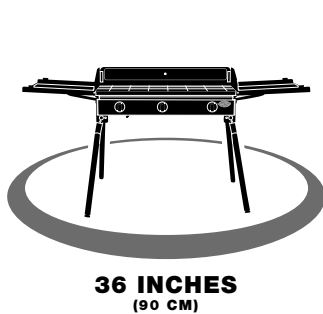
OPERATING INSTRUCTIONS

Setting Up

This appliance is designed for use outdoors, away from any flammable materials. It is important that there are no overhead obstructions and that there is a minimum distance of 36 inches (90 cm) from the side or rear of the appliance. Maintain a minimum 10 ft. clearance to objects that can catch fire or sources of ignition, such as: pilot lights on water heaters, live electrical appliances, etc. It is important that the ventilation openings of the appliance are not obstructed.

The appliance must be used on a level, stable surface. The appliance should be protected from direct drafts and positioned or protected against water exposure (e.g. rain). DO NOT move appliance while hot, and do not leave unattended during operation.

Protect LP cylinder from direct sunlight and keep away from heat sources exceeding 122°F (50° C). DO NOT move appliance while hot, and do not leave unattended during operation. Position LP cylinder such that hose is not bent, twisted, subject to tension, or touching any hot parts of appliance.





NEVER EXCEED 650°F BECAUSE THIS WILL DAMAGE THE FINISH AND CONTRIBUTE TO RUST. PAINT IS NOT WARRANTED AND WILL REQUIRE TOUCH-UP. THIS UNIT IS NOT WARRANTED AGAINST RUST.

CAUTION:

1. All cleaning and maintenance should be done when the outdoor stove is cool and the fuel supply is **DISCONNECTED**.
2. Do **NOT** clean any outdoor stove part in a self-cleaning oven as the extreme heat will damage the finish.
3. Do **NOT** enlarge valve orifices or burner ports when cleaning the valve or the burners.

NOTICES:

1. This outdoor stove should be thoroughly cleaned, inspected, and seasoned on a regular basis.
2. Abrasive cleaners will damage this product.
3. **NEVER** use oven cleaner on any part of this outdoor stove.

BEFORE EACH USE:

1. Ensure outdoor stove area is clean and free of any combustible materials like: gasoline, lighter fluid, or any other flammable vapors or liquids.
2. DO NOT obstruct the flow of the combustion of LP gas and the ventilation of air.
3. Keep the ventilation opening(s) of the LP cylinder area free and clear of debris.
4. Visually check the burner flames to make sure outdoor stove is working properly.
5. See sections below for proper cleaning and maintenance instructions.
6. Check for obstructions of airflow to the burners. Spiders, insects, and webs can clog the burner tubes. A clogged burner can lead to a fire.

GAS OPERATION

Regulator and Hose

Regulator and Hose are supplied with the outdoor stove. If a replacement is necessary, please visit CharGriller.com or call our Customer Service department at 1-912-638-4724. DO NOT use replacement parts that are not intended for this outdoor stove. It is recommended that the regulator is changed within 10 years of the date of manufacture.

The use of the wrong regulator or hose is unsafe. Always check that you have the correct items before operating the outdoor stove.

The hose used must conform to the relevant standard for the country of use. A worn or damaged hose must be replaced immediately. Ensure the hose is properly connected to the gas grill and free of any obstructions, kinks, and/or entanglements.

Connecting the Hose to the Outdoor Stove

Before connecting the hose, ensure that there is no debris caught in the head of the LP cylinder, regulator, burner, and burner ports. Spiders and insects can nest within and clog the burner at the orifice. Clogged burner tubes can result in fire and severely damage the outdoor stove.

Clean burner holes with a heavy-duty pipe cleaner.

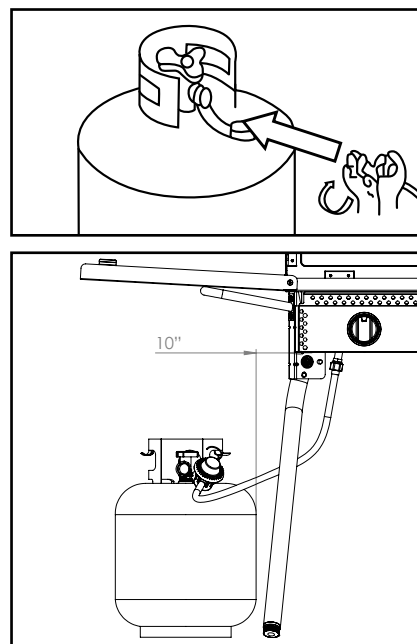
If the hose is replaced it must be secured to the outdoor stove and regulator connections with hose clips. Disconnect the regulator from the cylinder (according to the directions supplied with the regulator) when the outdoor stove is not in use.

The outdoor stove must be used in a well-ventilated area. DO NOT obstruct the flow of combustion air to the burner when in use. ONLY USE THIS APPLIANCE OUTDOORS.

Connecting the Gas Cylinder to the Outdoor Stove

This outdoor stove is only suited for use with low-pressure propane gas fitted with the appropriate low-pressure regulator via a flexible hose. The hose should be secured to the regulator and the outdoor stove with hose clips. **WARNING:** Position the LP cylinder at a minimum distance of 10" (25,4 cm) from the outdoor stove so as to avoid a tipping hazard.

1. Ensure all control knobs are in the OFF position.
2. Verify that the LP cylinder valve is closed by turning the handle on the LP cylinder valve clockwise until it stops.
3. Remove the protective cap from the LP cylinder valve nozzle.
4. Hold the regulator in a straight line with the LP cylinder valve nozzle so the connection does not cross thread.
5. Insert regulator nipple into the LP cylinder valve nozzle opening.
6. Hand-tighten coupling nut in a clockwise direction.
Do not use tools!
7. Perform a Leak Test. (See Leak Testing section of this manual).



Tank Position



**** BEFORE USE CHECK FOR LEAKS ****

Never check for leaks with a naked eye. Always use a soapy water solution.

NOTE: Before starting the stove, check for leaks. To prevent a fire or an explosion hazard when testing for a leak, ensure the regulator valve is securely fastened to the burner and the LP cylinder.

Always perform the "Leak Test" as described below before lighting the outdoor stove or each time the LP cylinder is connected for use.

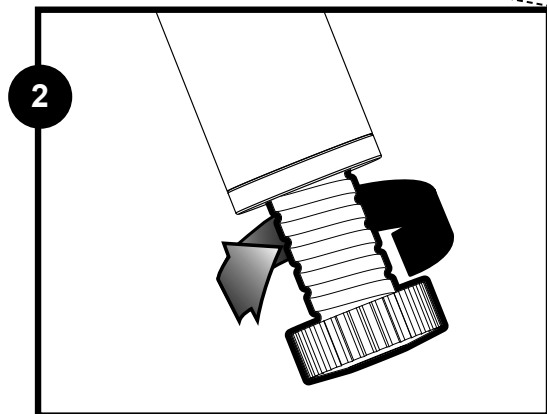
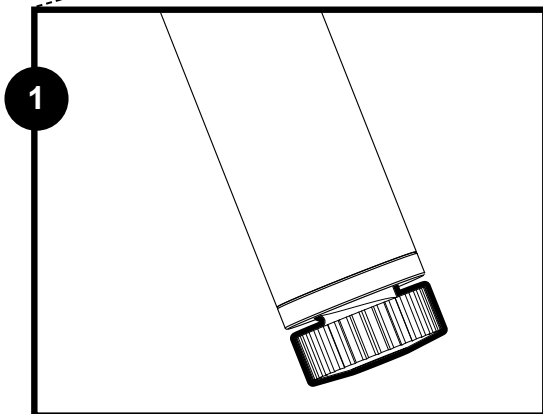
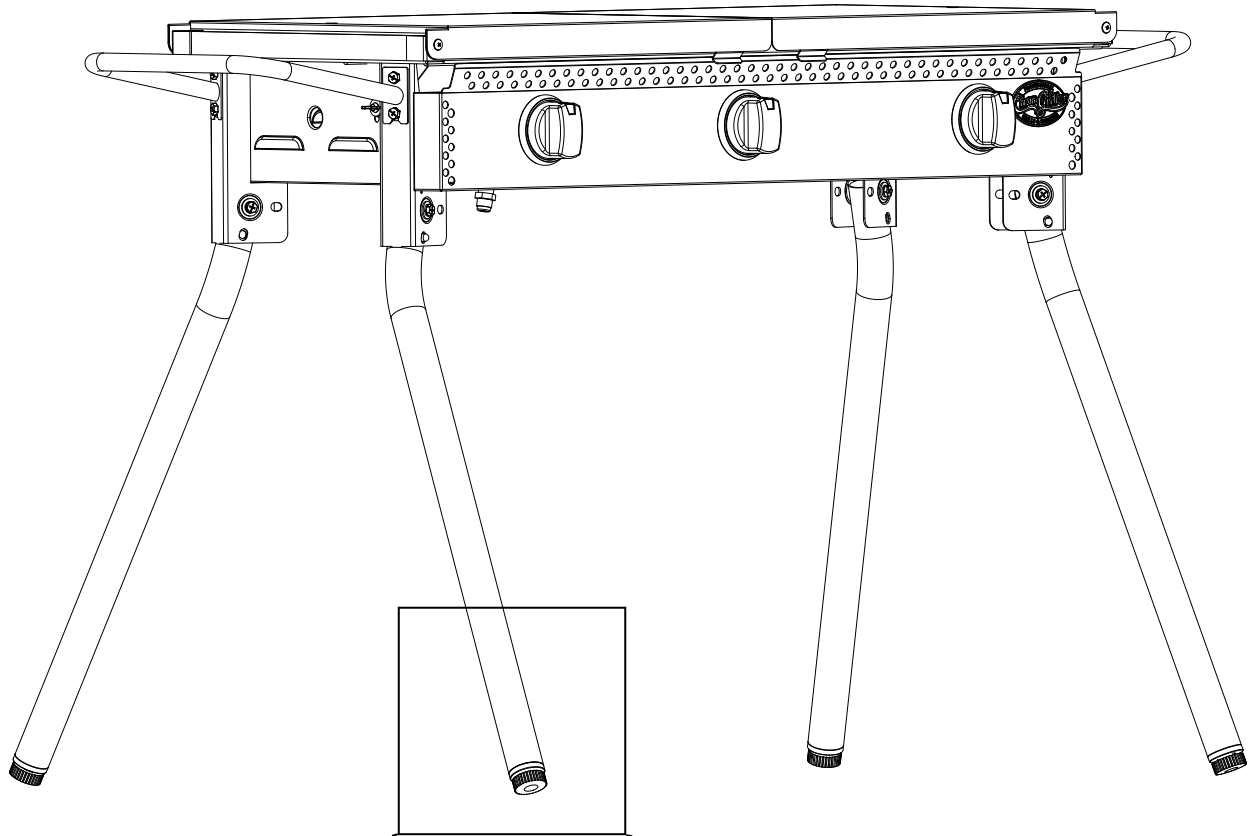
- DO NOT smoke or allow other sources of ignition in the area while conducting a leak test.
- Conduct leak test outdoors in a well-ventilated area.
- DO NOT use matches, lighters, or a flame to check for leaks.
- DO NOT use outdoor stove until any and all leaks are corrected. If leak persists, disconnect propane supply and call Customer Service at 1-912-638-4724, or contact your local gas appliance service/supplier.

Leak Test

1. In a spray bottle mix 1-2 Tbsp (15-30mL) solution, 1 part dish washing soap, 3 parts water.
2. Ensure control valves/burner knobs are in the OFF position and the regulator is securely connected.
3. Open LP cylinder valve completely by turning wheel counterclockwise.
4. Apply the solution to the hose, gas valve, regulator, and LP cylinder.
5. If bubbles form and grow on any of the tested components, there is a leak in the component. No bubbles mean no leaks.
6. If a leak has been identified, please re-secure/tighten all components and retest starting with steps 2-5. If leak persists, disconnect LP cylinder and call Char-Griller® Customer Service at 1-912-638-4724, or contact your local gas appliance service/supplier.

Leveling the Outdoor Stove

For safe operation, your outdoor stove must be level. If your outdoor surface is slightly out of level, use the adjustable feet at the bottom of each leg to correct. Turning the adjustable feet counterclockwise will raise the leg and clockwise will lower.





Lighting Instructions

When lighting, keep your face and body as far away from burners as possible and never lean over outdoor stove surface. If outdoor stove does not light immediately or goes out during operation, turn all burner knobs to the OFF position and wait 5 minutes for gas to clear before attempting to relight. Failure to do so may result in an explosive flare-up, which can cause serious bodily injury or death.

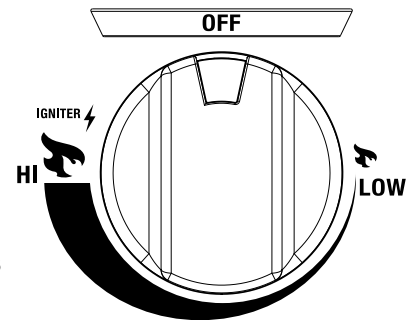
After achieving a successful lighting and prior to first use, allow the outdoor stove to run on HI for at least 15 minutes. This process will ensure no performance issues and allow the outdoor stove to self-clean and sanitize.

Main Burners

Your Char-Griller® outdoor stove is equipped with three (3) individual cast-aluminum burners. Each is controlled and lit by their own individual knob and integrated ignition.

1. Make sure all burner knobs are in OFF position.
2. Open valve on LP cylinder by turning wheel counterclockwise.
3. To ignite a burner, push in and rotate knob counterclockwise towards “HI” until you hear a loud click and the burner ignites. If burner does not light immediately, turn burner OFF, wait 5 minutes for gas to clear and repeat Step 3.
4. Repeat for all desired burners. Light only burners intended for use.
5. Adjust knobs to desired cooking setting.

After lighting, observe burner flame and make sure all burner ports are lit.

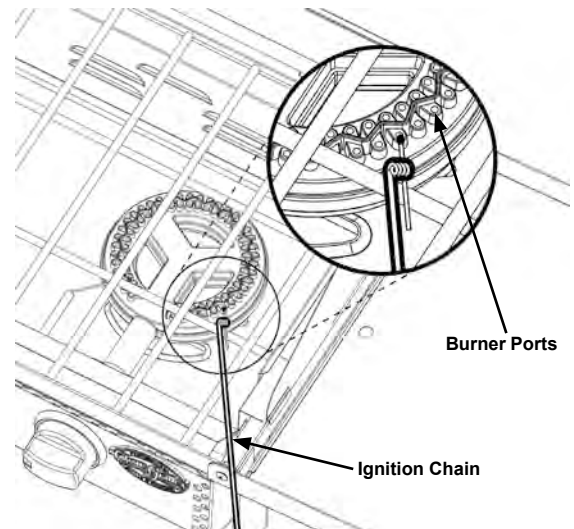


Shutting off Burners

1. Turn knob(s) clockwise to LOW position, then push in and turn to OFF. Never force knob without pushing in, as this can damage valve and knob.
2. Promptly close LP cylinder valve by turning wheel clockwise.

Lighting Burner with a Match

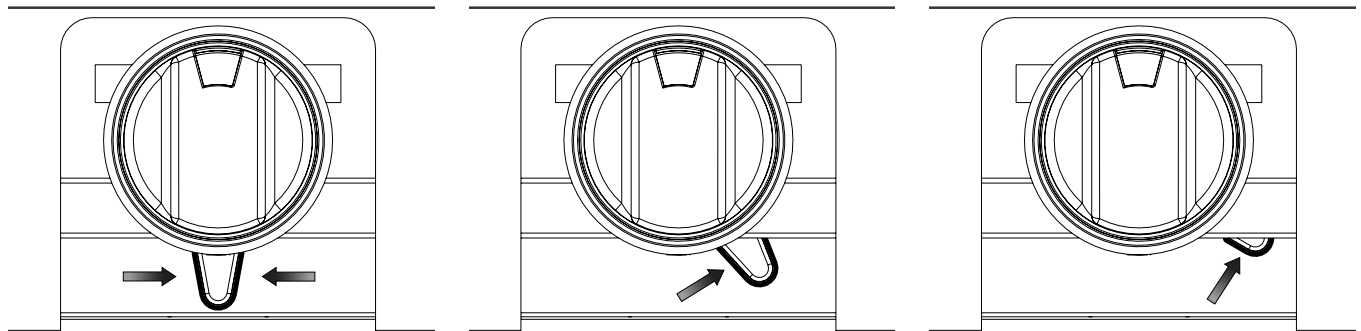
1. Make sure all burner knobs are in OFF position.
2. Open valve on LP cylinder.
3. Locate ignition chain on the side of the outdoor stove and install match. Light match.
4. Push in and rotate knob counterclockwise to "HI" position.
5. Using ignition chain, place flame through outdoor stove grate near burner ports. Burner should light immediately.
6. Adjust knobs to desired cooking settings.
7. If burner does not light immediately, turn burner OFF, wait 5 minutes for gas to clear, and repeat starting at Step 3.



Adjusting The Flame Using Air-to-Gas Ratio

Your outdoor stove requires the right amount of air to gas flow for even heating. Set correctly, the burner flame will be BLUE. **NOTE:** A touch of orange/yellow at the flame tips is fine. Flame adjusters are used to regulate the air flow.

Typically, higher temperature require the flame adjusters to be more open while with lower temperatures they will be more closed. Adjust as necessary.



FULLY OPEN

Light the outdoor stove and set the burner to "HI". If the flame is very yellow or not consistent, the flame adjuster needs to be opened to allow MORE air to reach the burner.

PARTIALLY CLOSED

Light the outdoor stove and set the burner midway between "HI" and "LOW". If the flame is yellow or not consistent, the flame adjuster needs to be partially closed to allow LESS air to reach the burner.

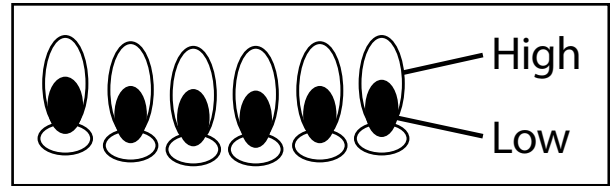
FULLY CLOSED

Light the outdoor stove and set the burner to "LOW". If the flame is yellow or sputtering, the flame adjuster needs to be fully closed to allow not allow ANY air to reach the burner.



Observe Flame Height When Lit

Flame should be blue and yellow in color and approximately 1/2 in. - 1 in. (1.2 cm - 2.54 cm) tall on HI setting.

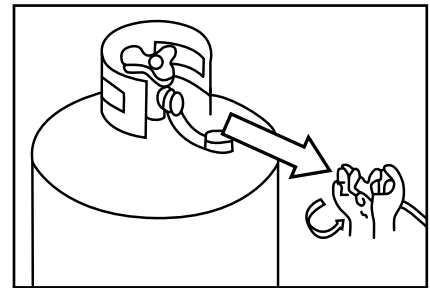


Temperature Management

Manage desired heat for cooking by adjusting burner knobs from LOW to HI. Weather conditions may cause heat fluctuations and require more heat in cold and/or windy conditions. Different types and amounts of food will also impact your temperature management and distribution. Being aware of all elements will help ensure optimal gas appliance performance and desired cooking results.

Disconnecting the LP Cylinder

1. Turn all control knobs to the OFF position.
2. Turn the wheel on the LP cylinder clockwise until it stops.
3. Turn coupling nut on regulator in a counterclockwise direction until the regulator is released from the threaded LP cylinder valve nozzle.
4. Place the protective cap over LP cylinder gas nozzle.



LP Cylinder

The LP cylinder should not be dropped or handled roughly! If the appliance is not in use, it is recommended to disconnect the LP cylinder. Replace the protective cap on the LP cylinder after disconnecting the LP cylinder from the appliance.

LP cylinders must be stored outdoors in an upright position and out of the reach of children. The LP cylinder must never be stored where temperatures can reach or exceed 122°F (50° C). Do not store the LP cylinder near flames, pilot lights or other sources of ignition. **DO NOT SMOKE NEAR AN LP CYLINDER.**

Again, this outdoor stove is designed for outdoor use only and away from any flammable materials. Ensure there are no overhead obstructions and no objects/barriers are within 36 inches (90 cm) of the outdoor stove. Ventilation openings of the outdoor stove should not be obstructed at any time. The outdoor stove must be used on a level, stable surface, positioned away from direct drafts and protected against water exposure (e.g. rain).

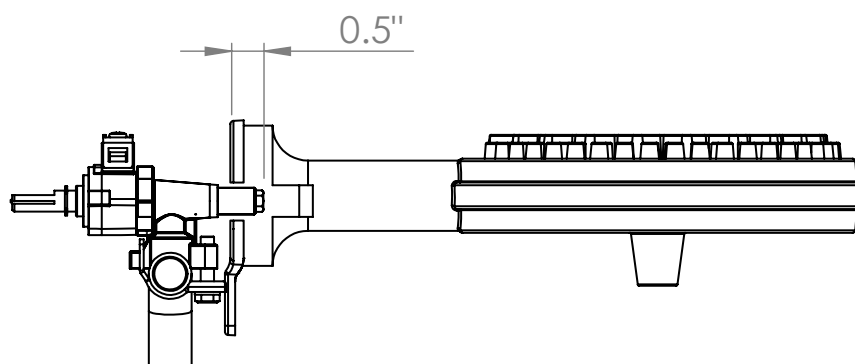
Parts sealed by the manufacturer or its agent must not be altered by the user.

No modifications should be made to any part of this outdoor stove. Repairs and maintenance should only be carried out by a registered service engineer or technician.

CARE & MAINTENANCE

When you are finished cooking, turn off all burners and allow to cool.

When performing cleaning and maintenance of the burners, always ensure burner ports are properly aligned with valve openings after reinstalling on the outdoor stove. See figure for correct alignment.



Once cool, clean your outdoor stove with a rag, soap and water. To protect and prevent rust, lightly coat the cooking grates with flaxseed or other vegetable oil. Continued cleaning and care are the key to ensuring a long life for your Char-Griller® Outdoor Stove.

Outdoor Stove Cover

Extend the life of your outdoor stove by using a Char-Griller® Custom Fit cover to protect it from the elements. Weather resistant polyester material protects against birds, dust, wind, rain and snow. (Model# 3375)



FAVORITE ACCESSORIES

FOR THE FULL LINE OF ACCESSORIES VISIT CHARGRILLER.COM



Custom Fit Cover

Weather Resistant
Protects Grill Finish

Model #3375



Char-Griller® Grill Glove

Heat resistant
Non-slip Silicone grip
Covers the forearm
Wear on Left or Right hand

Model #8860



Tank Cover

Weather Resistant
Nylon Velcro
Elastic at Top and Bottom
Cover Only

**Tank Not Included*

Model #9955



Folding Probe Thermometer

Stainless steel
fast-read probe accurately
measures temperature
Easily switch from °F to °C
Auto ON/OFF feature for
extended battery life

Model #6304



Char-Griller® Trucker Hat

Cotton-poly blended front
Nylon mesh back
Adjustable snapback closure
One Size Fits Most

Model #70100



Original All-Purpose BBQ Rub

Pairs well with all types
of meat and fish

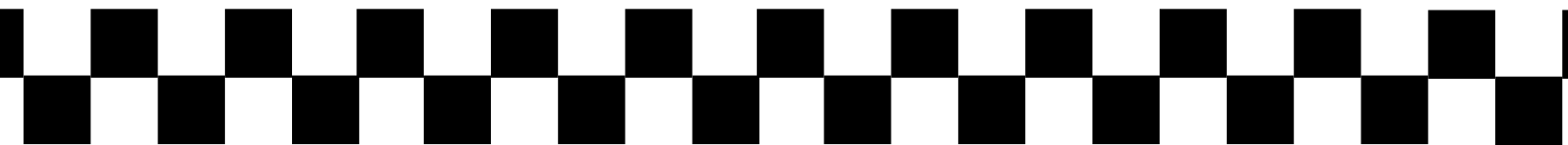
Model #85501

**This Page Intentionally
Left Blank**

**This Page Intentionally
Left Blank**



P.O. Box 30864
Sea Island, GA 31561
1-912-638-4724
www.CharGriller.com
Service@CharGriller.com



MANUAL DEL PROPIETARIO



COCINA DE 3 HORNALLAS PARA EL AIRE LIBRE

Modelo #3338



**Mantenga su recibo junto con este manual
para fines de la garantía.**

**SERVICIO AL CLIENTE
1-912-638-4724
Service@CharGriller.com**

Peligro

- Nunca opere esta unidad si está desatendida.
- Nunca opere esta unidad dentro de 10 ft (3.0 m) de cualquier estructura, material combustible u otro cilindro de gas.
- Nunca opere esta unidad dentro de 25 ft (7.5 m) de cualquier líquido inflamable.
- Los líquidos calentados se mantienen a temperaturas hirvientes mucho después del proceso de cocción.
- Nunca toque las unidades de cocina hasta que los líquidos se hayan enfriado a 115° F (45° C) o menos.
- Si se produjera un incendio, manténgase alejado del aparato y llame de inmediato a su departamento de bomberos. No intente extinguir un aceite o una grasa se incendian con agua.

El no seguir estas instrucciones puede resultar en peligros de incendio, explosión o quemaduras que pueden causar daños a la propiedad, lesiones personales o la muerte.

El contenido de este manual está registrado y los derechos de autor son propiedad de Char-Griller® | A&J Manufacturing.
El uso de la información contenida en este manual sin el consentimiento de Char-Griller® y/o A&J Manufacturing está estrictamente prohibido.

**Esta Página Ha Sido
Intencionalmente Ha Dejado
En Blanco**



TABLA DE CONTENIDO

Advertencias de seguridad y garantía	A-1
Instrucciones de montaje	B-1
Uso del producto	C-1
Recetas	D-1
Accesorios	E-1



Peligro

Si siente olor a gas:

1. Cierre el gas al aparato.
2. Apague cualquier llama abierta.
3. Abra la tapa.
4. Si sigue sintiendo el olor, manténgase alejado del aparato y llame a su proveedor de gas o al departamento de bomberos.

El no seguir estas instrucciones puede resultar en peligros de incendio, explosión o quemaduras que pueden causar daños a la propiedad, lesiones personales o la muerte.



Advertencia

1. No almacene ni use gasolina u otros líquidos o vapores inflamables cerca de este o cualquier otro aparato.
2. No debe almacenarse un tanque de LP que no esté conectado para ser usado cerca de este o cualquier otro aparato.



Advertencia

Únicamente para uso en exteriores.



ADVERTENCIAS DE SEGURIDAD IMPORTANTES

El cilindro de GLP para la operación. Esta estufa a gas no está pensada para su uso comercial.

GUARDE ESTAS INSTRUCCIONES PARA SU REFERENCIA EN EL FUTURO. SI ESTÁ ENSAMBLANDO ESTA UNIDAD PARA ALGUIEN MÁS, DELE ESTE MANUAL PARA QUE LO GUARDEN PARA SU REFERENCIA EN EL FUTURO.

ADVERTENCIA:

La instalación, el ajuste, la alteración o mantenimiento inapropiado pueden causar lesiones o daños a las propiedades. Lea las instrucciones de instalación, operación y mantenimiento completamente antes de ensamblar o realizar mantenimiento a este equipo. El no seguir estas instrucciones puede resultar en un incendio o explosión que pueden causar daños a la propiedad, lesiones personales o la muerte.

PELIGRO:

NO utilice la estufa a gas para dar calefacción o cocinar en interiores. Pueden acumularse vapores TÓXICOS y causar asfixia. No usar en botes ni vehículos recreacionales.

ADVERTENCIA:

Las partes accesibles pueden calentarse mucho. Mantenga a sus niños pequeños alejados. Lea los documentos de instrucción antes de utilizar la unidad. El uso de partes no autorizadas puede crear condiciones o un ambiente inseguro.

NOTA: El uso e instalación de este aparato debe cumplir con los códigos locales o, en ausencia de códigos locales, el Código de instalación de gas natural y propano, CSA B149.1, o el Código de almacenamiento y manipulación de propano, CSA B149.2, o el Código nacional de combustible Código de gas, ANSI Z223.1 / NFPA 54, Almacenamiento y manipulación de gases licuados de petróleo, ANSI / NFPA 58

AVISO IMPORTANTE: Lea todas las instrucciones antes del ensamblaje y el uso. Lea y entienda todas las advertencias y precauciones antes de operar su estufa.

LEA CUIDADOSAMENTE TODAS LAS ADVERTENCIAS E INSTRUCCIONES DE SEGURIDAD ANTES DE ENSAMBLAR Y OPERAR SU ESTUFA



WARNING: FUELS USED IN LIQUEFIED PROPANE GAS APPLIANCES, AND THE PRODUCTS OF COMBUSTION OF SUCH FUELS, CAN EXPOSE YOU TO CHEMICALS INCLUDING BENZENE, WHICH IS KNOWN TO THE STATE OF CALIFORNIA TO CAUSE CANCER AND CAUSE BIRTH DEFECTS OR OTHER REPRODUCTIVE HARM. For more information go to: www.P65Warnings.ca.gov.

ADVERTENCIA: LOS COMBUSTIBLES USADOS EN EQUIPOS PARA LICUAR GAS PROPANO, ASÍ COMO LOS PRODUCTOS DE SU COMBUSTIÓN, PUEDEN EXPONERTE A SUSTANCIAS QUÍMICAS, ENTRE ELLAS EL BENCENO, QUE EL ESTADO DE CALIFORNIA RECONOCE COMO CAUSA DE CÁNCER Y DE MALFORMACIONES CONGÉNITAS Y OTROS DAÑOS AL SISTEMA REPRODUCTOR. Para más información, visite www.P65Warnings.ca.gov

Lea las siguientes instrucciones cuidadosamente y asegúrese de que su estufa esté ensamblada, instalada y mantenida adecuadamente. El no seguir estas instrucciones puede resultar en lesiones corporales severas y/o en daños a la propiedad. Si tiene alguna pregunta sobre el ensamblaje o la operación, consulte a su proveedor o a su compañía de gas.

- Cuando esté en uso, siempre coloque la unidad y el cilindro de gas en un nivel plano sobre el suelo. La estufa puede ser utilizada con un cilindro de gas de 20lb. Esta estufa está diseñada para funcionar a una presión de entrada de: columna de agua de 11 pulgadas.
- Compre cilindros LP solamente con estas medidas requeridas: 12 "(30.5 cm) (diámetro) x 18" (45.7 cm) (alto) con capacidad de 20 lb (9 kg).
- NO mueva la unidad durante su uso.
- NO intente desconectar ninguna de las piezas del gas mientras la estufa está en uso.
- NO utilice un cilindro de gas si el cilindro o la válvula están dañados, oxidados o abollados, ya que esto puede ser peligroso. Contacte a su proveedor para revisarlos.
- NO se incline sobre una estufa abierta y tenga cuidado con sus manos/dedos cerca del borde del área de cocina.
- Si ocurriese un incendio, cierre todos los fogones de gas, cierre la tapa, y aléjese de la estufa hasta que se hayan apagado las llamas
- Si se apagan las llamas mientras está en operación, cierre todas las válvulas de gas y deje la tapa abierta. Regrese a la estufa tras cinco minutos y trate de volver a encender los fogones – siguiendo las instrucciones de encendido.
- Mantenga a los niños y mascotas alejados de la estufa cuando esté en uso. Algunas partes de la estufa pueden calentarse mucho.
- Cuando limpie las válvulas y los fogones, tenga cuidado de no estirar los orificios de las válvulas ni los puertos de los fogones.
- Aleje tanto como sea posible las mangueras del gas de las superficies calientes y de la grasa caliente que gotee.
- Puede haber gas en un cilindro que aparente estar vacío. Adhiérase al transporte/almacenamiento adecuado del cilindro en todo momento.
- Si hay gas escapando de un cilindro, aléjese inmediatamente del cilindro y llame a su proveedor de gas o al departamento de bomberos. NO trate de abordar el problema usted mismo.
- NO utilice llamas para revisar si hay fugas de gas.
- REVISE si hay fugas de gas o cualquier obstrucción en los fogones antes de su uso. Esto es particularmente importante tras un periodo de almacenamiento e inactividad.
- El tubo flexible debe ser cambiado cuando se dañe o se agriete, o antes de la fecha de vencimiento impresa en el tubo. O, cambie el tubo cada cinco (5) años.
- Siempre conecte o reemplace los cilindros en un área bien ventilada, y nunca donde haya una llama, chispa o fuente de calor.
- La estufa debe mantenerse alejada de materiales inflamables.
- Cierre el suministro en el contenedor de gas tras su uso.
- No altere esta estufa de ninguna manera.
- No toque las partes metálicas de la estufa hasta que se haya enfriado completamente (alrededor de 45 minutos) para evitar quemaduras, a menos que lleve equipo protector (guantes de estufa soportes para ollas, etc.).



- Tenga en cuenta que las partes selladas por el fabricante o su agente no deben ser alteradas.
 - Cuando ensamble la estufa, posicione el tubo conector flexible de manera que esté protegido contra torceduras.
 - Manténgase alejado de cualquier fuente de ignición cuando cambie el contenedor del gas.
 - Cuando ensamble la estufa, no obstruya las aperturas de ventilación del compartimento contenedor de la estufa. Nos reservamos el derecho de hacerle ajustes técnicos menores al dispositivo.
 - Este aparato está diseñado únicamente para calentar agua (no aceite ni grasa).
1. Nunca llene el cilindro por encima del 80% de su capacidad. No seguir la información de arriba exactamente puede resultar en un incendio que cause la muerte o lesiones graves.
 2. No almacene un cilindro de gas de repuesto debajo o cerca de esta unidad, y:
 3. Si no se siguen exactamente las instrucciones de 1 y 2, se producirá un incendio que provocará la muerte o lesiones graves. puede ocurrir

PRECAUCIÓN

- La estufa es para su uso únicamente con gas propano (el cilindro de gas no está incluido).
- Nunca intente conectar esta estufa al sistema de propano propio de un tráiler de acampada, de una casa móvil o de una casa.
- El cilindro de propano líquido debe estar construido y marcado de acuerdo con las especificaciones para cilindros de propano líquido del Departamento de Transporte de EE. UU. (DOT) CFR 49., o la Norma para cilindros, esferas y tubos para el transporte de mercancías peligrosas, CAN / CSA-B339
- El cilindro de suministro de gas debe estar provisto de un dispositivo contra sobrellenado autorizado.
- El cilindro de suministro de gas debe estar provisto de un dispositivo de conexión para el cilindro compatible con la conexión para electrodomésticos de cocina en exteriores.
- Esta estufa no está pensada para su uso en vehículos y/o botes recreativos.
- No utilice la estufa a menos que esté completamente ensamblada y todas las partes estén ajustadas y colocadas de manera segura.
- El aparato no se debe usar en ni debajo de ningún balcón o terraza de un apartamento o condominio.
- Mantenga todos los artículos y superficies combustibles alejadas al menos 10ft (3.05m) de la estufa en todo momento.
- NO utilice esta estufa ni ningún producto a gas cerca de construcciones combustibles sin protección.
- No utilizar en una atmósfera explosiva. Mantenga el área de la estufa limpia y libre de materiales combustibles, gasolina y demás vapores y líquidos inflamables.
- Nunca guarde un contenedor lleno en un auto o cajuela caliente. El calor causará que la presión del gas aumente, lo que puede abrir la válvula de descargue y permitir que el gas escape.
- Mantenga el compartimento de válvulas, los fogones y los canales de circulación de aire limpios. Inspeccione la estufa antes de cada uso.
- Los cilindros de LP deben almacenarse al aire libre fuera del alcance de los niños y no deben almacenarse en un edificio, garaje u otra área cerrada.

- El cilindro de propano líquido debe disponerse para la extracción de vapor.
- Si el cilindro de propano líquido utilizado tiene una capacidad de propano superior a 2,2 lb (1,00 kg), debe incluir un collar para proteger la válvula del cilindro de propano.

ADVERTENCIA

- Esta estufa es para su uso únicamente en exteriores, y no debe ser utilizada en ningún edificio, garaje, ni ninguna otra área encerrada.
- El consumo de alcohol o de drogas con o sin receta puede afectar la capacidad del operador de ensamblar adecuadamente u operar seguramente la estufa.
- Siempre abra la tapa de la estufa lenta y cuidadosamente, ya que el calor y vapor atrapados en la estufa pueden quemarlo severamente.
- Coloque siempre la estufa en una superficie dura y nivelada, lejos de combustibles. Las superficies de asfalto o aglomerado pueden no ser aceptables para este propósito.
- No deje la estufa desatendida. Mantenga a los niños y mascotas lejos de la estufa en todo momento.
- No coloque la estufa en ninguna superficie sobre una mesa.
- No utilice la estufa cuando haya vientos fuertes.
- Desconecte el tanque de propano cerrando primero la válvula en la parte superior del tanque, cierre las válvulas de los fogones, luego desconecte el regulador de la válvula en el tanque de propano girando el conector plástico en el sentido contrario de las agujas del reloj. Desatornille utilizando el perno en la plataforma inferior para liberar el tanque para su retiro.
- Evite quemar o golpear el aparato para evitar derrames o salpicaduras de líquido de cocción caliente.
- Nunca deje caer alimentos o accesorios en líquido de cocción caliente. Baje los accesorios y los alimentos lentamente en el líquido de cocción para evitar salpicaduras o derrames. Al retirar los alimentos del electrodoméstico, se debe tener cuidado de evitar quemaduras por los líquidos de cocción calientes.
- NO coloque recipientes de cocción vacíos sobre el aparato mientras esté en funcionamiento. Tenga cuidado al colocar cualquier cosa en el recipiente de cocción mientras el aparato está en funcionamiento.
- Nunca llene demasiado el recipiente de cocción con agua.
- Este aparato no está diseñado y nunca debe usarse como calentador.
- Nunca use un recipiente para cocinar con una capacidad y diámetro mayores a los recomendados por el fabricante (no más de 10 pulgadas de diámetro).
- Coloque la tapa contra el polvo en la salida de la válvula del cilindro de propano líquido siempre que no se use el cilindro de propano líquido. Instale únicamente el tipo de tapa guardapolvo en la salida de la válvula del cilindro LP que se proporciona con la válvula del cilindro LP. Otros tipos de tapones o tapones pueden provocar una fuga de propano.

PELIGRO

- El gas de propano líquido es inflamable y peligroso si se maneja inadecuadamente. Conozca sus características antes de utilizar cualquier producto de propano
- Características del propano: inflamable, explosivo bajo presión, más pesado que el aire y se asienta en piscinas y áreas bajas.
- En su estado natural, el propano no tiene aroma. Por su seguridad, se ha añadido un aroma.



- El contacto con propano puede causar quemaduras por congelación en la piel.
- Nunca utilice un cilindro de propano con un cuerpo, válvula, collar o base dañada.
- Los cilindros de propano abollados u oxidados pueden ser peligrosos y deben ser revisados por su proveedor de gas propano.
- Sea precavido cuando ensamble u opere su estufa para evitar arañazos o cortes por los bordes afilados.
- Sea precavido cuando mueva la estufa para evitar esguinces o torceduras.
- Nunca mueva la estufa cuando esté en uso o caliente.
- Asegúrese de vaciar la bandeja de grasa tras cada uso una vez esté completamente enfriada.
- Para protegerse contra bacterias que pueden causar enfermedades, mantenga todas las carnes refrigeradas y descongélelas en un refrigerador o microondas. Mantenga las carnes crudas separadas de otros alimentos, y lave todo lo que entre en contacto con carne cruda.
- Cocine la carne completamente, y refrigere las sobras inmediatamente.
- Utilice un termómetro de alimentos calibrado y las pautas de la USDA para asegurar que las carnes, las aves, los mariscos y demás alimentos cocinados lleguen a una temperatura mínima segura.
- Siempre tenga un extinguidor cerca. Mantenga y revise su extinguidor regularmente.

***** ¡DETÉNGASE! ¡LLAME A  PRIMERO! *****

NO Devuelva El Producto A La Tienda.

Esta estufa se ha creado siguiendo las normas de calidad más altas. Si tiene preguntas que este manual no aborda o si necesita piezas, llame a nuestro Departamento de Atención al Cliente al 1-912-638-4724 (EE.UU.) o escríbale un correo electrónico a Char-Griller® al: Service@CharGriller.com y tenga su número de serie a mano.

REGISTRE SU ESTUFA:

Para aprovechar la garantía de Char-Griller® al máximo, asegúrese de registrar su estufa visitando www.CharGriller.com/Register o llame al departamento de Servicio al Cliente al **1-912-638-4724**.

Registrarse le aporta protecciones importantes:

1. Char-Griller® puede contactarlo fácilmente y rectificar el problema en el caso extremadamente improbable que deba retirarse el producto del mercado.
2. Si una pieza garantizada está rota o le falta, podemos enviarle las piezas necesarias inmediatamente.

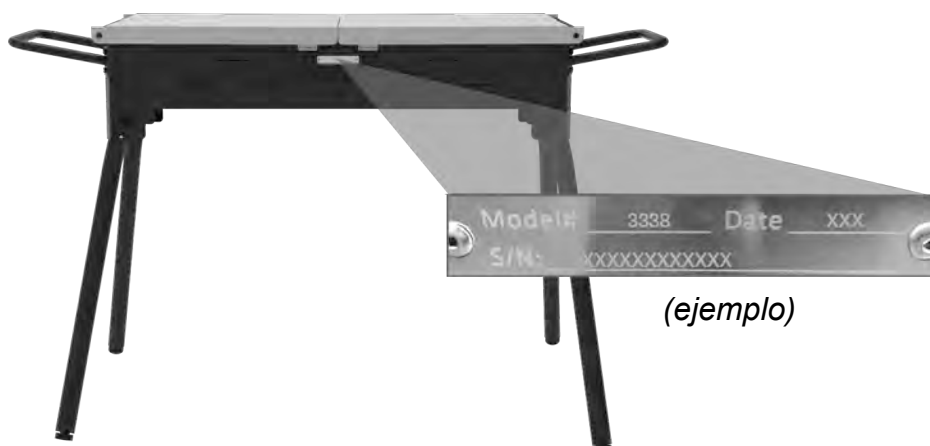
NOTA: Para registrarse, necesitará su número de modelo, número de serie y una copia del recibo de compra original.

Documente su modelo de estufa y números de serie AQUÍ:

(Puede encontrar el modelo y el número de serie en la parte trasera de la carcasa de la estufa o en la pata)



(NO. DE SERIE)



(ejemplo)



INFORMACIÓN DE GARANTÍA

SE NECESITA UNA COPIA DEL COMPROBANTE DE COMPRA CON FECHA (RECIBO) PARA REGISTRARSE O PRESENTAR UN RECLAMO DE GARANTÍA*. CONSERVE UNA COPIA DEL RECIBO PARA SUS REGISTROS.

Char-Griller® reemplazará cualquier pieza defectuosa de sus estufas/ahumadores, bajo garantía, según se describe de abajo.

LEA ESTA INFORMACIÓN DETENIDAMENTE Y COMUNÍQUESE CON EL DEPARTAMENTO DE SERVICIO AL CLIENTE MARCANDO 912-638-4724 O ESCRIBIENDO A SERVICE@CHARGRILLER.COM. SI TIENE ALGUNA PREGUNTA.

Parrillas de carbón / Gránulos / Kamado	
Parrilla - cubierta y cuerpo (excluye la bandeja de ceniza retirable)	5 años desde la fecha de compra por corrosión por óxido o quemadura.
Bandeja de ceniza y partes defectuosas	1 año desde la fecha de compra
Parrillas a Gas / Estufas Al Aire Libre	
Cubierta de la estufa y tubos principales de los fogones (excluye el fogón lateral)	5 años desde la fecha de compra por corrosión por óxido o quemadura.
Cuerpo de la estufa, fogón lateral y partes defectuosas	1 año desde la fecha de compra
Planchas	
Todas las partes defectuosas	1 año desde la fecha de compra
Parrillas de Doble Combustible (Gas y Carbón)	
Parrilla de carbón - Cubierta y fondo, y cubierta de la estufa a gas (mitad SUPERIOR) y tubos del fogón principal (excluye la bandeja de ceniza y el fogón lateral)	5 años desde la fecha de compra por corrosión por óxido o quemadura.
Bandeja de ceniza, partes defectuosas, cuerpo de la estufa a gas (mitad INFERIOR) y fogón lateral	1 año desde la fecha de compra
Partes, Accesorios y Fundas de las Parrillas	
	1 año desde la fecha de compra (rasgaduras de costuras únicamente para las fundas)

LA OXIDACIÓN SUPERFICIAL NO SE CONSIDERA UN DEFECTO DE FABRICACIÓN O DE MATERIALES

Las estufas Char-Griller® están fabricadas de acero y la oxidación ocurrirá naturalmente si se exponen a los elementos. Consulte la sección titulada "Uso" para repasar cómo cuidar su estufa adecuadamente.

Estas garantías NO cubren problemas superficiales, como raspones, abolladuras, corrosión o decoloración por calor, limpiadores abrasivos y sustancias químicas, oxidación superficial o decoloración de las superficies de acero.

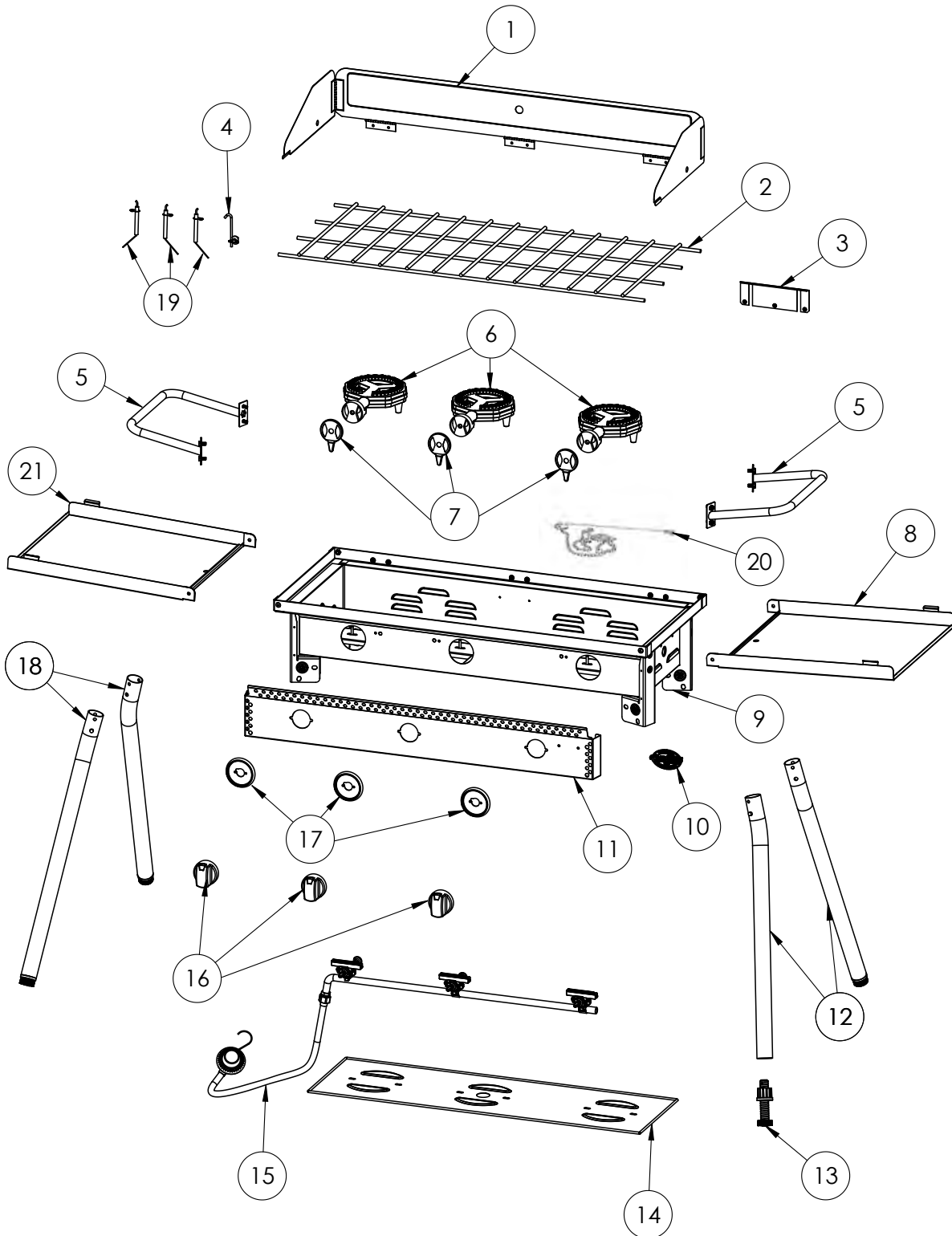
Las garantías son únicamente para reemplazar piezas defectuosas. Char-Griller® no se hace responsable de los daños causados por accidentes, alteraciones, mal uso, abuso, ambientes hostiles, instalación incorrecta e instalación que no satisfaga los códigos locales de servicio para la unidad.

Se excluye bajo TODAS las garantías

Pintura; óxido de superficie; daño causado por el calor; piezas incorrectas que el cliente haya pedido, incluyendo el envío; piezas desgastadas; piezas faltantes o dañadas que no se reporten dentro de los dos (2) meses después de la fecha de compra; piezas defectuosas que no se reporten dentro de un (1) año de la fecha de compra; decoloración de la cubierta de la estufa.

*NOTA: Se pueden requerir fotos y el retorno prepago del artículo en cuestión para presentar reclamos de garantía. El mal uso, abuso o uso comercial invalida todas las garantías.

INSTRUCCIONES DE ENSAMBLAJE





LISTA DE PARTES


Elemento	Cantidad	Nombre de la Parte
1	1	PARABRISAS
2	1	REJILLA DE COCINA
3	1	SOPORTE DE REJILLA DE COCINA
4	1	GANCHO DE REJILLA DE COCINA
5	2	MANGO LATERAL
6	3	MONTAJE DE QUEMADOR
7	3	REGULADOR DE AIRE PARA QUEMADOR
8	1	REPISA LATERAL DERECHA
9	1	ARMAZÓN EXTERIOR DE LA COCINA
10	1	PLACA DE LOGO
11	1	PANEL DE CONTROL
12	2	MONTAJE DE PATA DERECHA
13	4	TORNILLO DE AJUSTE DE LA PATA
14	1	DEFLECTOR DE CALOR DEL CUERPO
15	1	CONJUNTO DE REGULADOR DE VÁLVULA DE MANGUERA
16	3	PERILLA
17	3	BISEL DE PERILLA
18	2	MONTAJE DE PATA IZQUIERDA
19	3	ENCENDEDOR
20	1	CADENA DE ENCENDIDO
21	1	REPISA LATERAL IZQUIERDA

FERRETERÍA Y HERRAMIENTAS NECESARIAS

Herramientas Necesarias: Destornillador de cabeza Phillips y/o destornillador de 7/16".

****NOTA: NO ajuste completamente ningún perno hasta que se le indiquen. Ajustarlos al principio puede impedir que las piezas encajen. Todas las tuercas hexagonales deben estar en el interior de la cocina a menos que se indique lo contrario. Desembale todo el contenido en un área bien despejada y acolchada.****

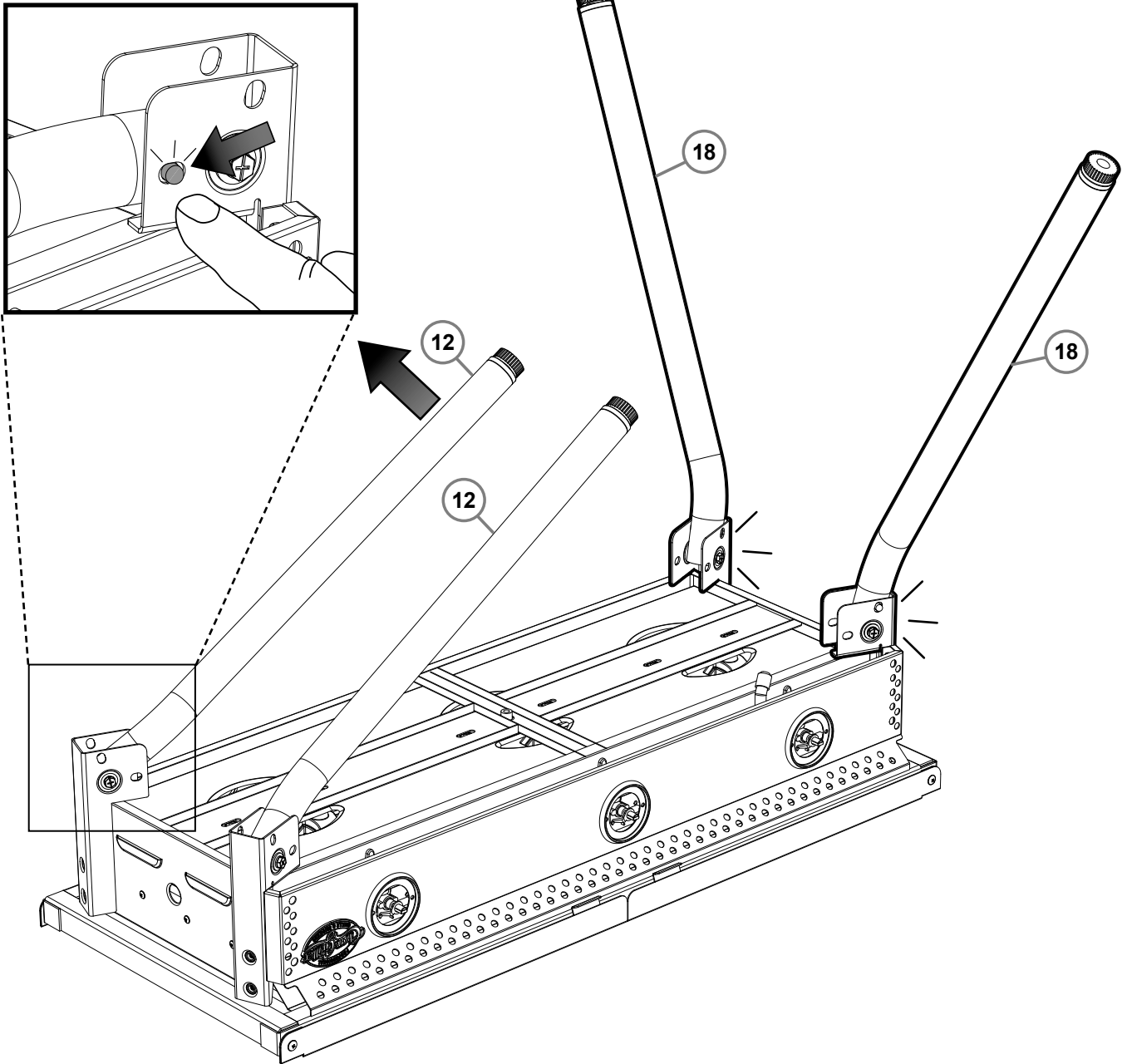
Tiempo Estimado: 15 minutos

Elemento	Descripción	Foto	Cantidad
A	PERNO HEXAGONAL, 1/4 -20 X 1/2"		8

Paquete de Ferrería #551172

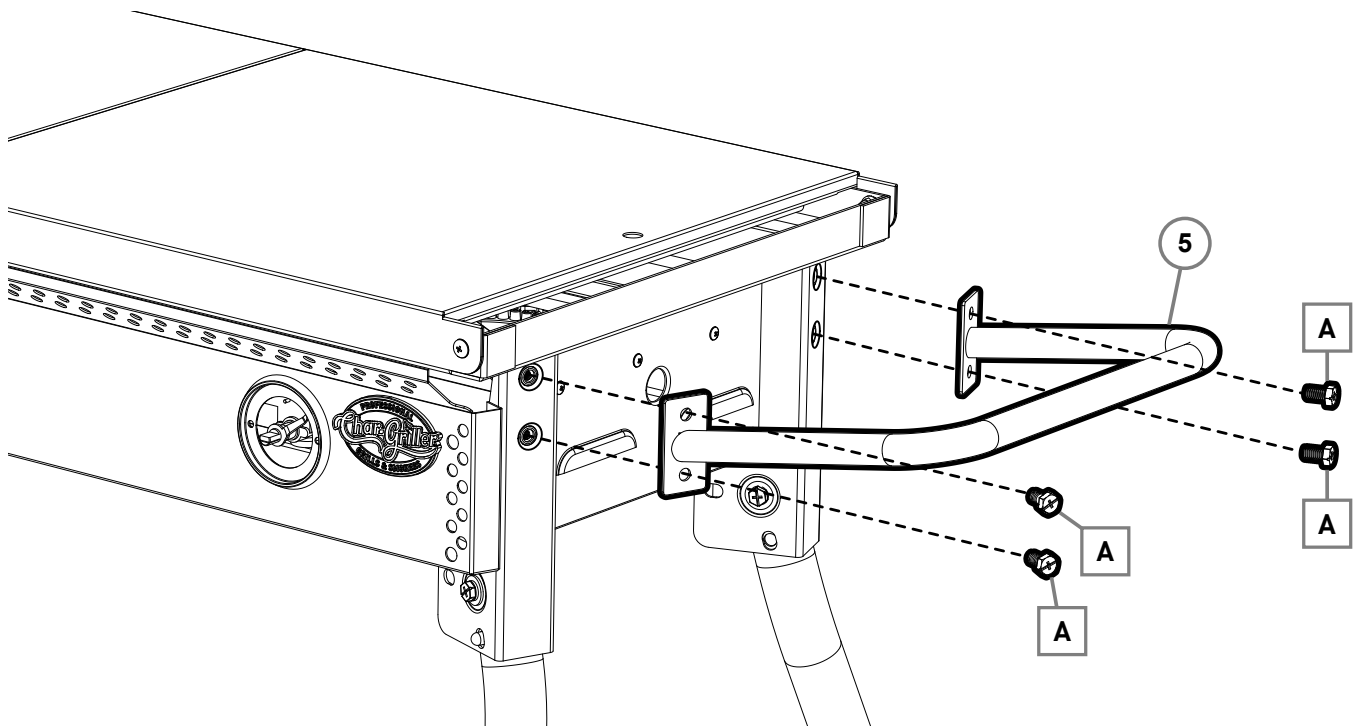
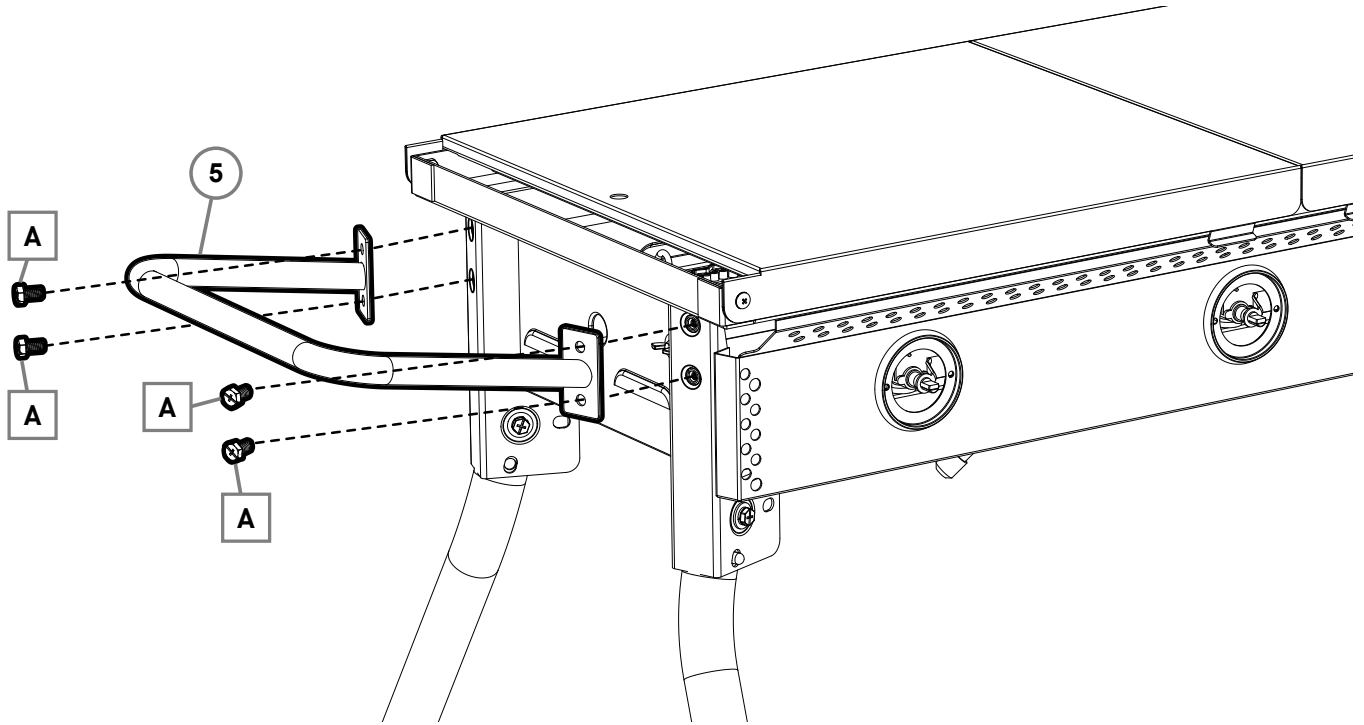
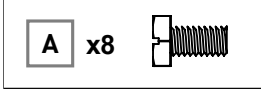
PASO 1

PRESIONE PARA LIBERAR

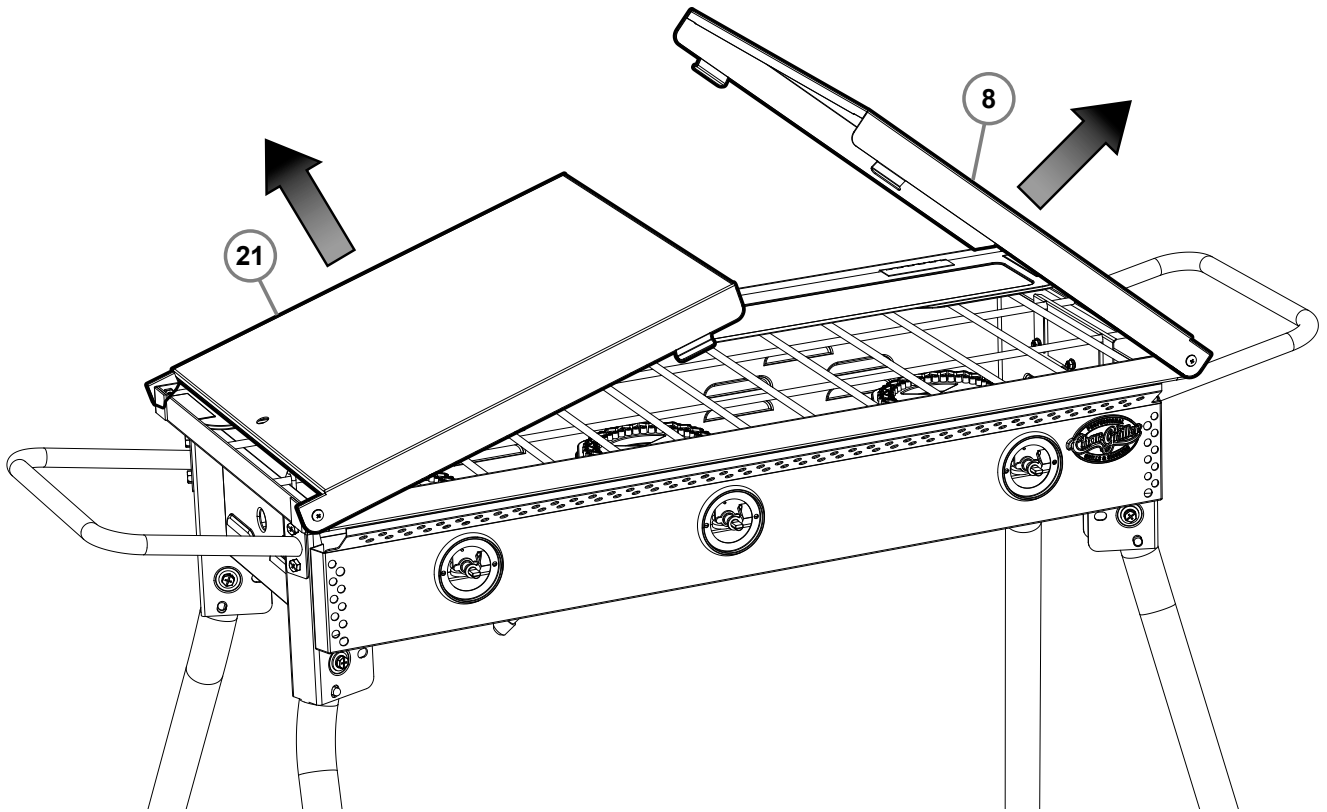




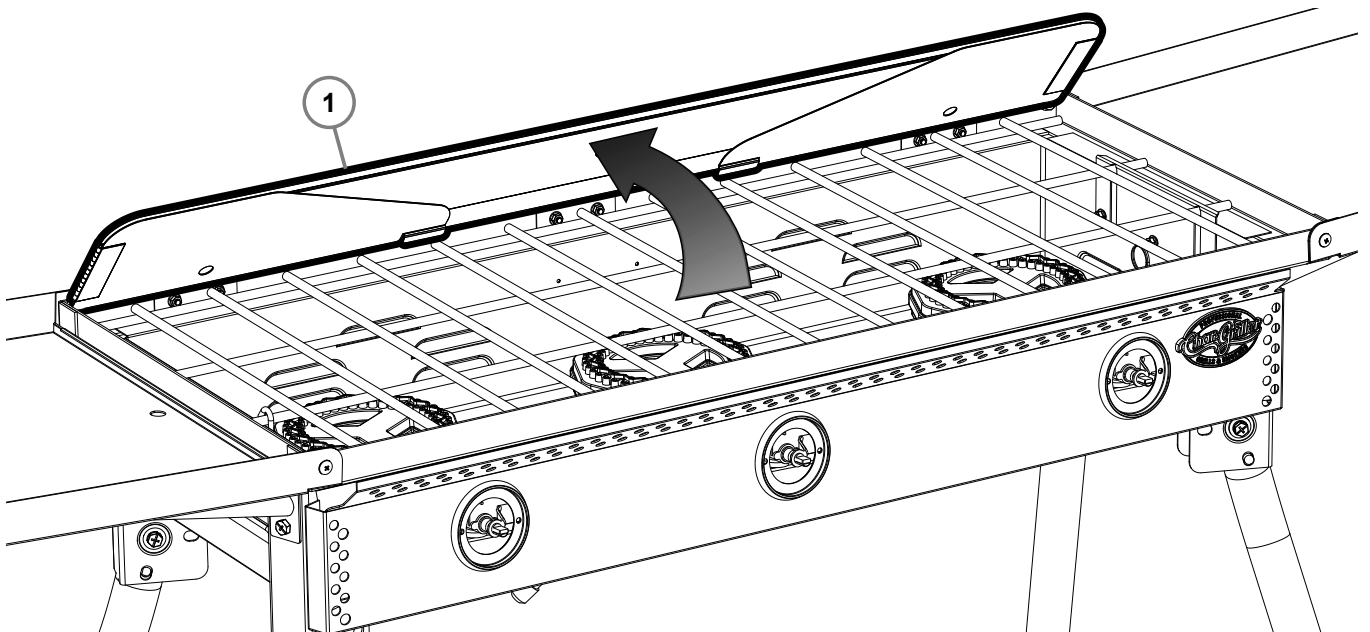
PASO 2



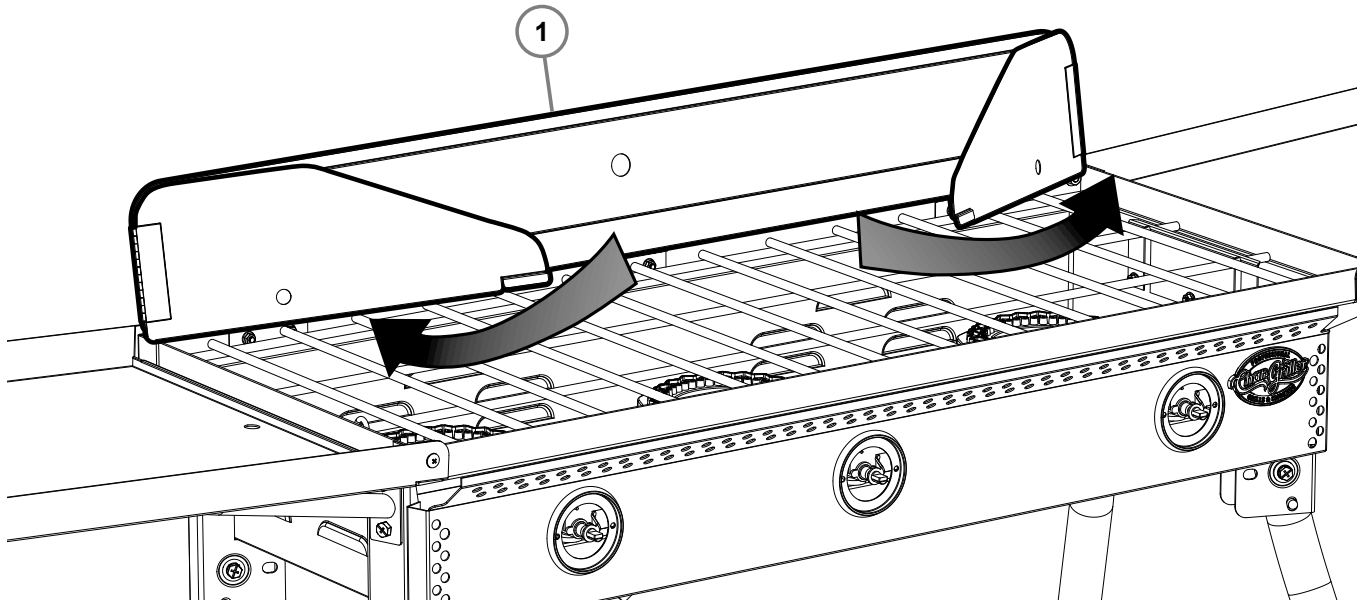
PASO 3



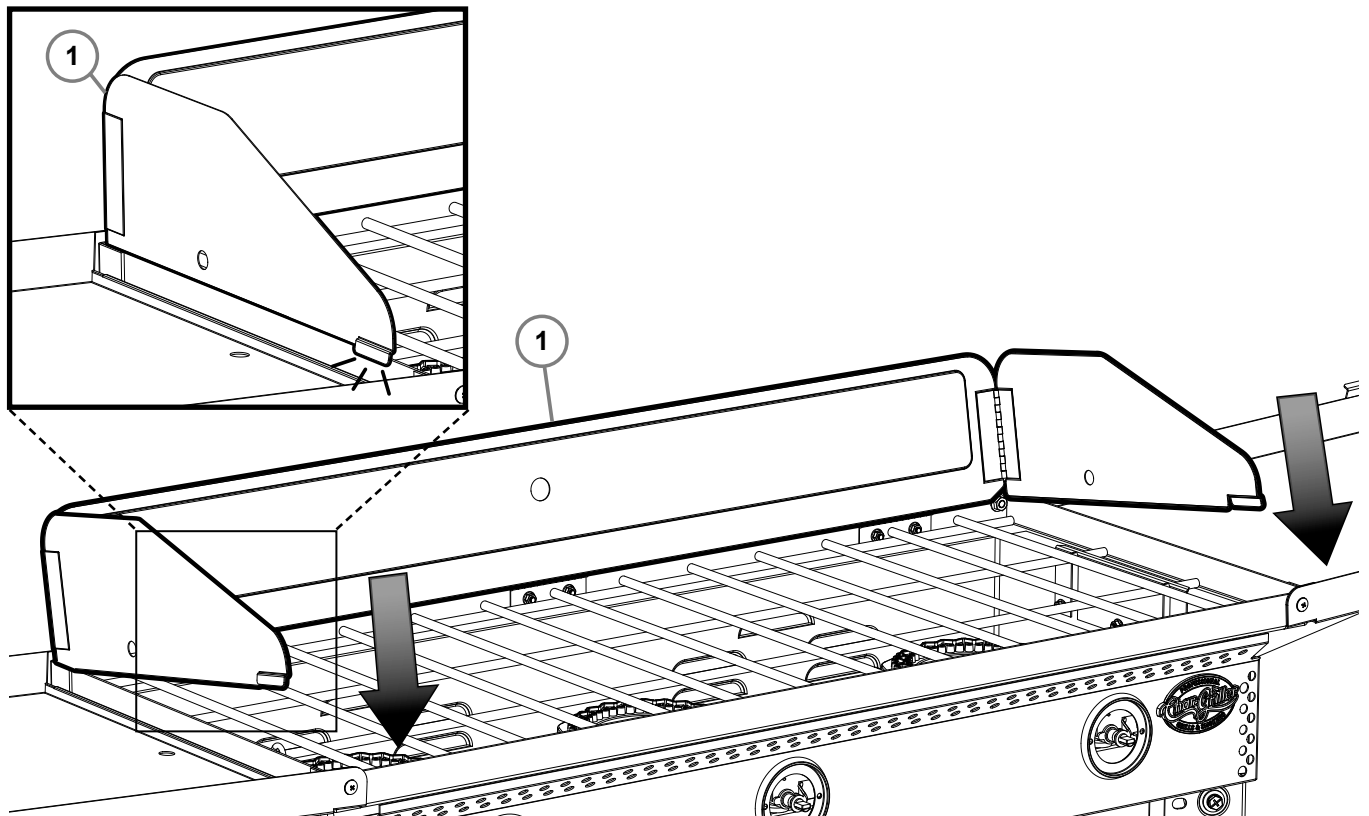
PASO 4A



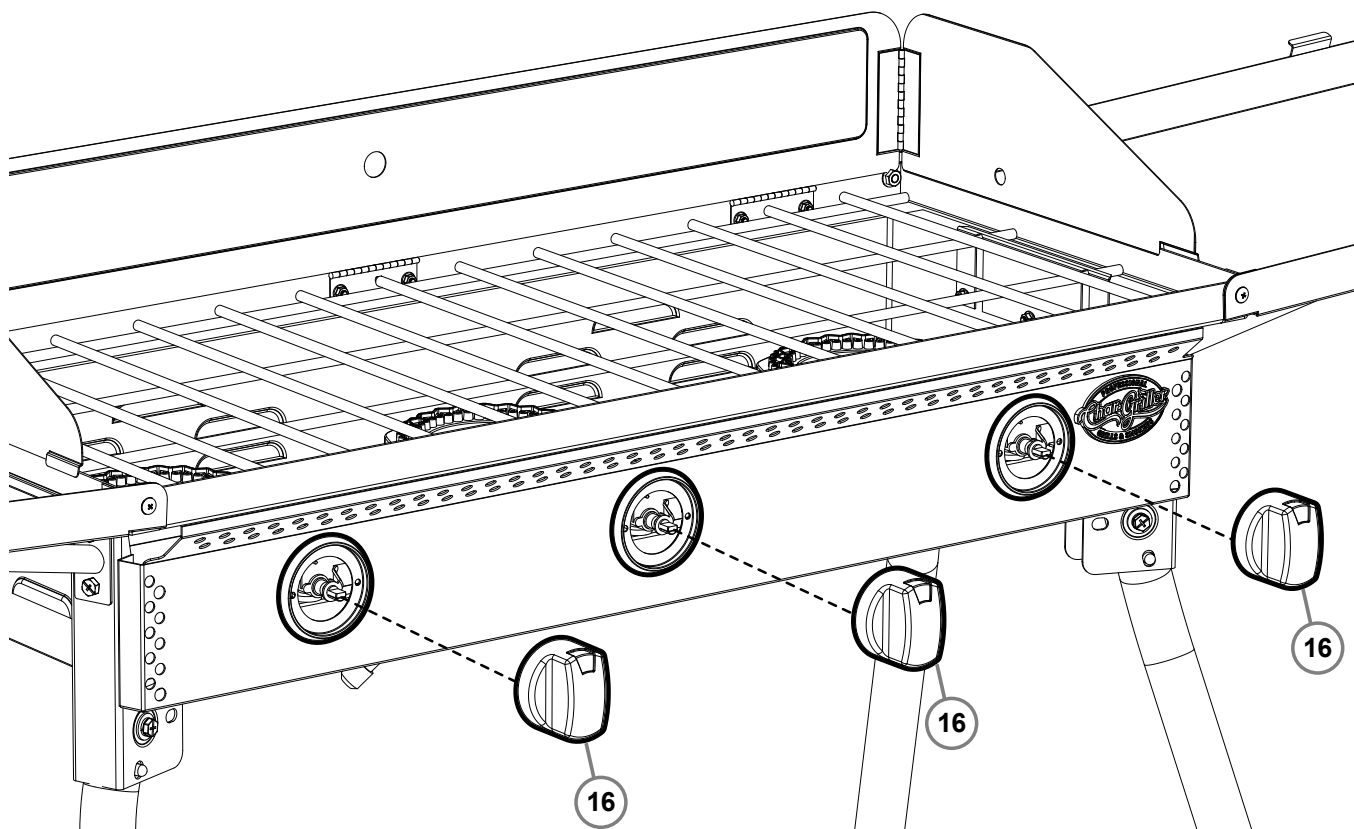
PASO 4B



PASO 4C



PASO 5



PASO 6

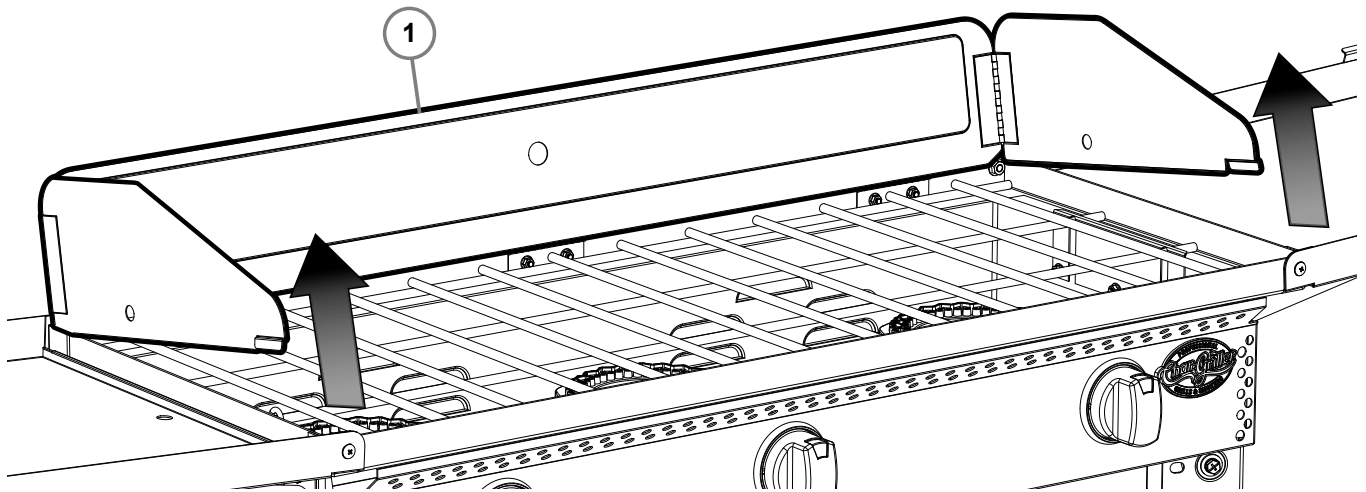
Para garantizar un montaje resistente,
apriete todos los TORNILLOS.



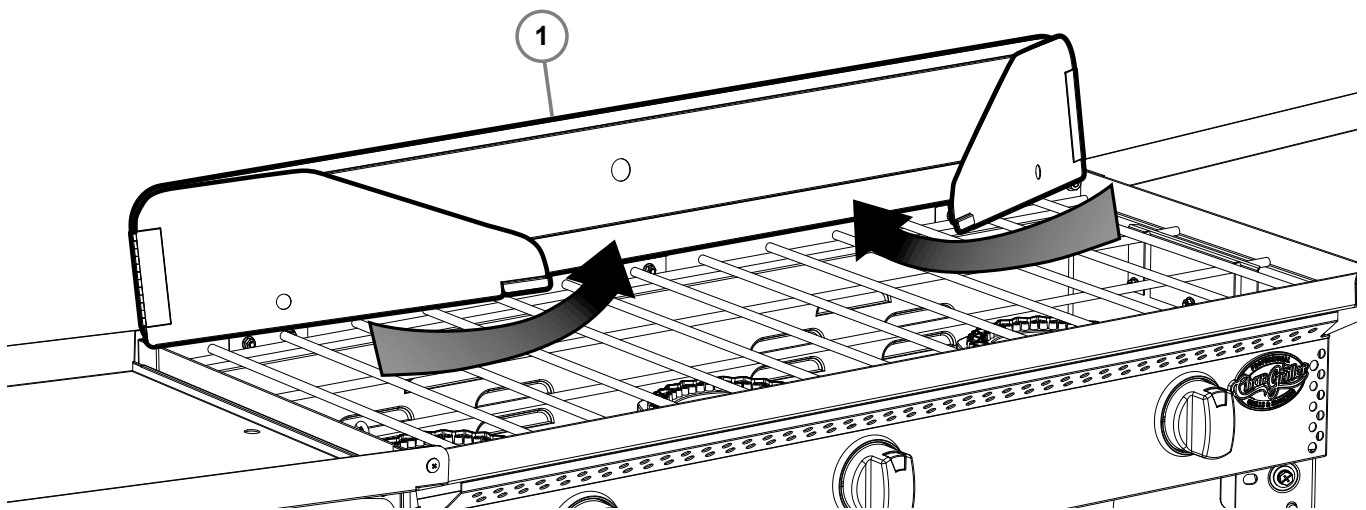
**TOTALMENTE
MONTADA**

DOBLAR SU ESTUFA DE AIRE LIBRE

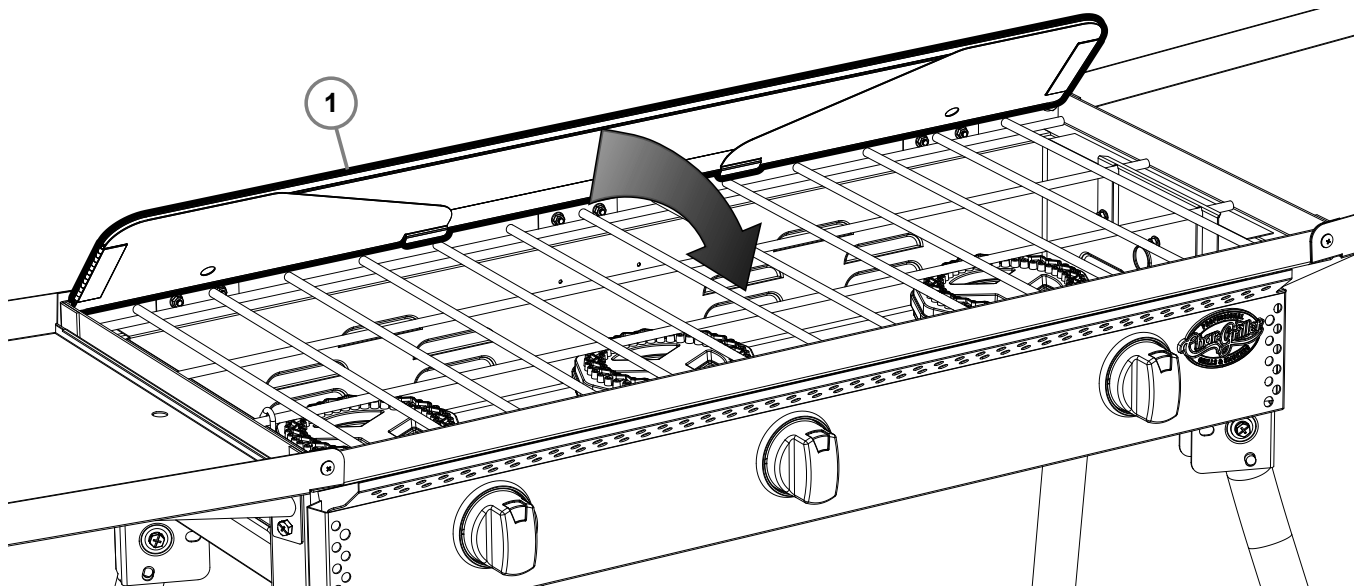
PASO 1A



PASO 1B

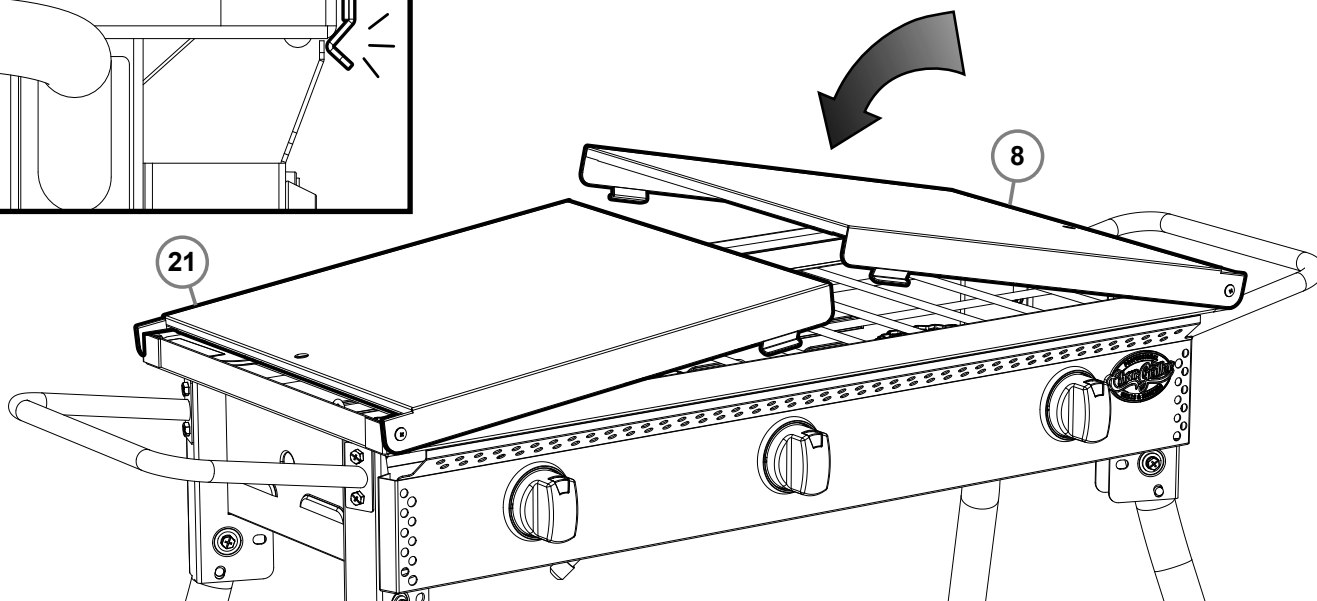
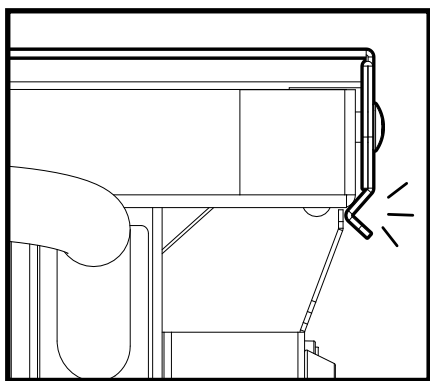


PASO 1C



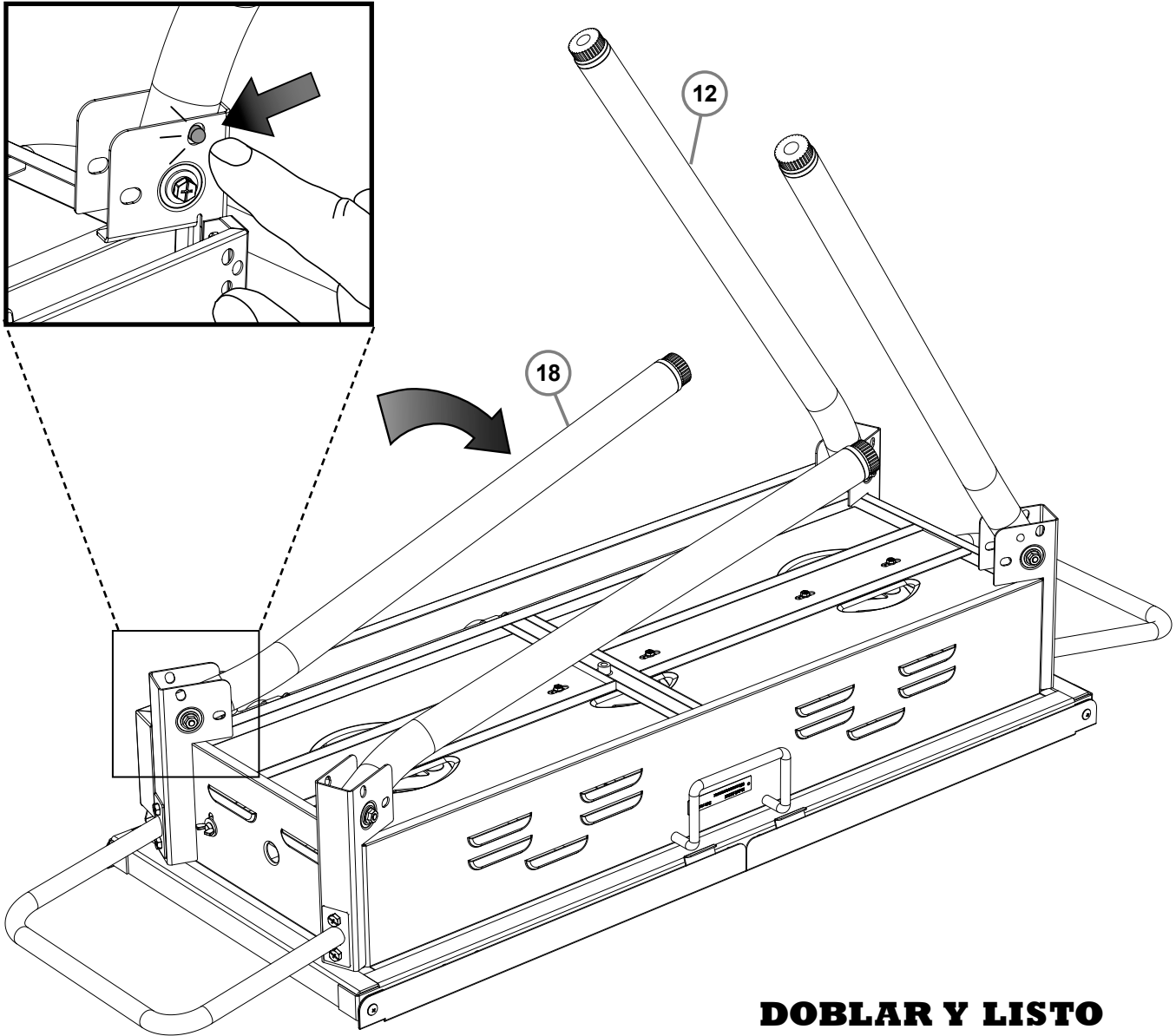
PASO 2

ACOPLAR DE MANERA SEGURA

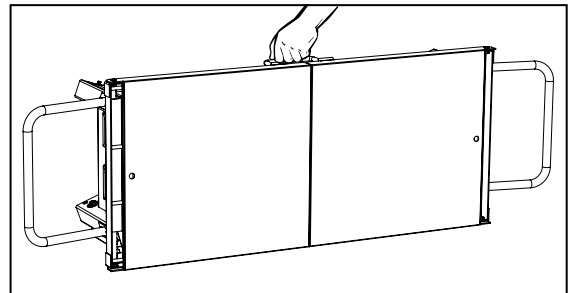


PASO 3

PRESIONE PARA LIBERAR



DOBLAR Y LISTO



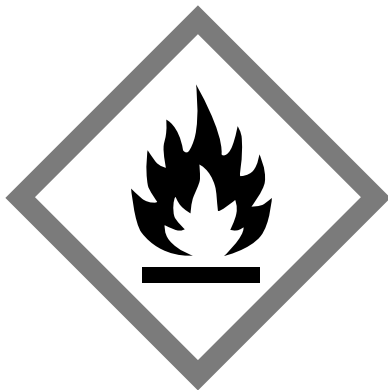
INSTRUCCIONES DE OPERACIÓN

Montaje

Esta unidad está diseñada para su uso en exteriores, alejada de cualquier material inflamable. Es importante que no haya obstrucciones en la parte superior y que haya una distancia mínima de 36 pulgadas (90 cm) desde el lado o la parte trasera de la unidad. Mantenga un área de 10 ft libre de objetos que puedan incendiarse o de fuentes de ignición tales como luces piloto de calentadores de agua, electrodomésticos encendidos, etc. Es importante que las aperturas para ventilación de la unidad no sean obstruidas.

Esta unidad debe ser utilizada en una superficie nivelada y estable. La unidad debe estar protegida de corrientes de aire directas y posicionada o protegida contra la penetración directa de cualquier goteo de agua (por ejemplo, la lluvia). No mueva la estufa mientras está caliente, y no la deje desatendida durante su operación.

Proteja el cilindro de gas de la luz del sol directa y manténgalo alejado de fuentes de calor a un máximo de 122°F (50° C). No mueva la estufa mientras está caliente, y no la deje desatendida durante su operación. Posicione el cilindro de gas de forma tal que la manguera no se doble, tuerza, tensione ni toque ninguna parte caliente de la unidad.





NUNCA EXCEDA LOS 650° F PORQUE ESTO DAÑARÁ EL ACABADO Y CONTRIBUIRÁ LA OXIDACIÓN. LA PINTURA NO ESTÁ CUBIERTA POR LA GARANTÍA Y REQUERIRÁ DE UN RETOQUE. ESTA UNIDAD NO TIENE GARANTÍA CONTRA EL ÓXIDO

PRECAUCIÓN:

- 1. Toda limpieza y mantenimiento debe ser realizado cuando la estufa esté fría y el suministro de combustible DESCONECTADO.**
- 2. NO limpie ninguna parte de la estufa en un horno de auto-limpieza ya que el calor extremo dañará el acabado.**
- 3. NO agrande los orificios de las válvulas ni los puertos de los fogones cuando limpie las válvulas o los fogones.**

AVISOS:

- 1. Esta estufa debe ser limpiada, inspeccionada y curada completamente de manera regular.**
- 2. Los limpiadores abrasivos dañarán este producto.**
- 3. NUNCA utilice limpiador de hornos en ninguna parte de esta estufa.**

ANTES DE CADA USO:

- 1. Asegúrese de que el área de la estufa esté limpia y libre de cualquier material combustible como gasolina, fluido de encendedores o cualquier otro líquido o vapor inflamable.**
- 2. NO obstruya el flujo de combustión del gas ni la ventilación de aire.**
- 3. Mantenga las aperturas de ventilación del área del tanque de gas libres de cualquier escombros.**
- 4. Revise visualmente las llamas del fogón para asegurarse de que la estufa funciona correctamente.**
- 5. Vea las instrucciones de abajo para las instrucciones de limpieza y mantenimiento correctas.**
- 6. Revise en busca de obstrucciones del flujo de aire en los fogones. Las arañas, insectos y telas pueden atascar los tubos de los fogones. Un fogón atascado puede causar un incendio.**

OPERACIÓN DEL GAS

Regulador y Manguera

El regulador y la manguera están provistos con la unidad. Si se necesita de un reemplazo, por favor visite chargriller.com o llame a nuestro departamento de servicio al cliente al 912-638-4724. NO utilice partes de reemplazo que no estén pensadas para esta parrilla. La expectativa de vida del regulador está estimada en 10 años. Se recomienda que el regulador sea cambiado dentro de 10 años desde la fecha de fabricación.

El uso del regulador o manguera inadecuado no es seguro; siempre revise que tiene los artículos correctos antes de operar la unidad.

La manguera utilizada debe cumplir con los estándares relevantes del país de uso. Una manguera desgastada o dañada debe reemplazarse. Asegúrese de que la manguera no esté obstruida, doblada, o en contacto con alguna parte de la parrilla distinta al punto de conexión.

Cómo Conectar la Manguera a la Unidad

Antes de la conexión, asegúrese de que no haya escombros atrapados en la cabeza del cilindro de gas, del regulador, de los fogones ni de los puertos de los fogones. Las arañas y los insectos pueden anidar dentro del tubo venturi/fogón en el orificio. Un fogón atascado puede causar un incendio debajo de la unidad.

Limpie los agujeros de los fogones con un limpia tuberías industrial.

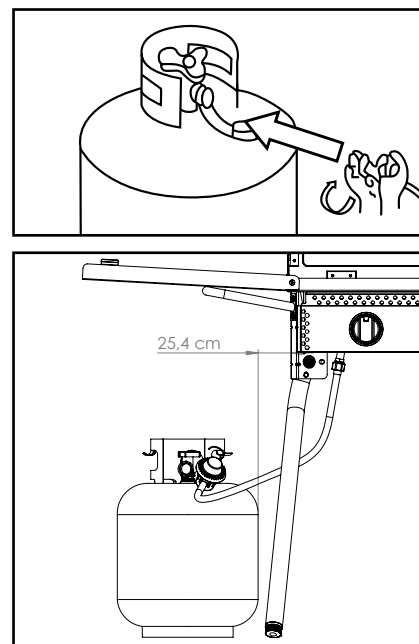
Si se reemplaza la manguera, esta debe ser asegurada a la unidad y a las conexiones del regulador con abrazaderas. Desconecte el regulador del cilindro (de acuerdo con las instrucciones provistas con el regulador) cuando la unidad no esté en uso.

La unidad debe ser utilizada en un área bien ventilada. No obstruya el flujo de aire para la combustión al fogón cuando esté en uso. UTILICE ESTA UNIDAD ÚNICAMENTE EN EXTERIORES.

Cómo Conectar el Cilindro de Gas a la Estufa

Esta unidad solo es apta para su uso con gas propano a baja presión dotados con el regulador de baja presión apropiado mediante una manguera flexible. La manguera debe estar asegurada al regulador y la unidad con abrazaderas. ADVERTENCIA: Coloque el cilindro de propano líquido a una distancia mínima de 10 "(25,4 cm) de la estufa al aire libre para evitar un riesgo de vuelco.

1. Asegúrese de que todas las perillas de control estén en la posición de APAGADO y verifique que la válvula del cilindro de gas esté cerrada girando la perilla de la válvula del cilindro de gas en el sentido de las agujas del reloj hasta que se detenga.
2. Retire la tapa protectora de la boquilla de la válvula del cilindro de gas.
3. Sostenga el regulador en línea recta con la boquilla de la válvula del cilindro de gas para que la conexión no se cruce.
4. Inserte la boquilla del regulador en la apertura de la boquilla de la válvula del cilindro de gas.
5. Ajuste la tuerca de empalme con la mano en dirección de las agujas del reloj.
¡No use herramientas!
6. Realice una prueba de fugas. (Ver la sección Prueba de Fugas de este manual).



Posición del Tanque



**** ANTES DE USAR, REVISE SI HAY FUGAS ****

Nunca revise si hay fugas únicamente con la vista. Utilice siempre una solución de agua enjabonada.

NOTA: Antes de encender la parrilla, revise si hay fugas. Asegúrese de que la válvula del regulador esté ajustada seguramente al fogón y al cilindro para prevenir el riesgo de explosión o incendio cuando revise si hay fugas.

Realice siempre la “prueba de fugas” según se describe abajo antes de encender la parrilla, o cada vez que el cilindro se conecte para su uso.

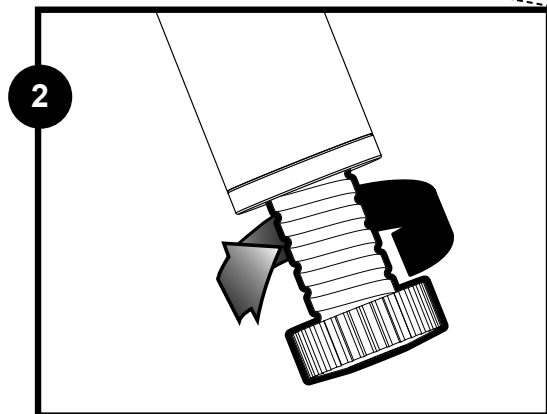
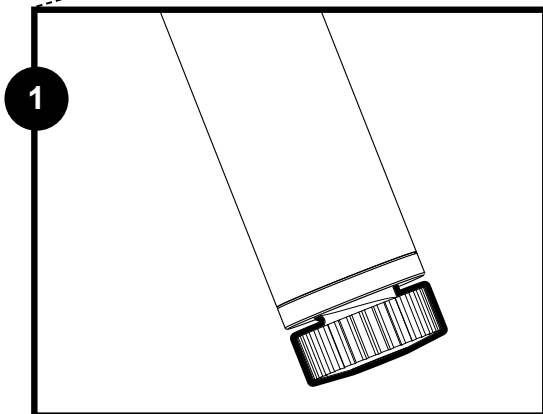
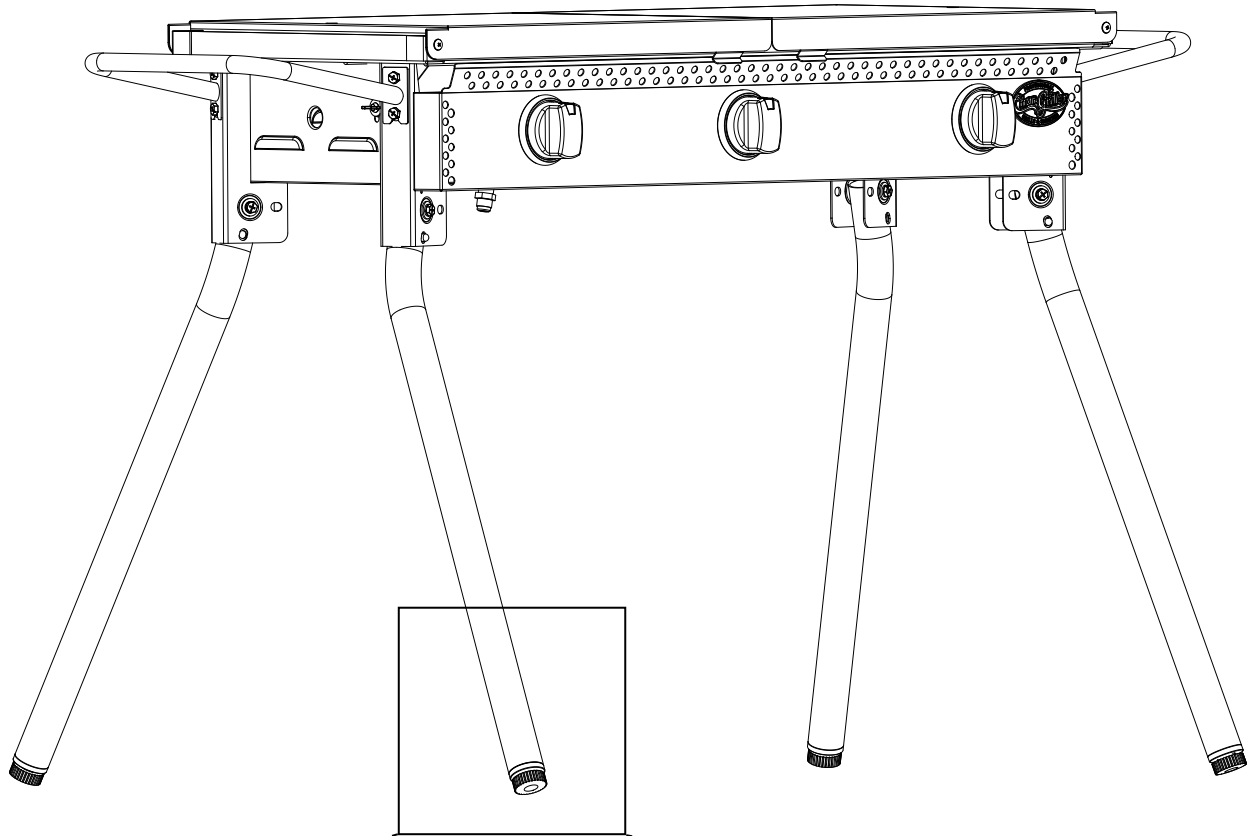
- No fume ni permita que haya otras fuentes de ignición en el área mientras realiza una prueba de fugas.
- Realice la prueba de fugas en exteriores, en un área bien ventilada.
- No utilice cerillos, encendedores o llamas para revisar si hay fugas.
- No utilice la parrilla hasta que se hayan corregido todas las fugas. Si no puede detener una fuga, desconecte el suministro de propano. Llame a un técnico de servicio de gas o a su proveedor local de gas propano.

Prueba de Fugas

1. En un atomizador mezcle una solución entre 6 y 9 ml, 1 parte de jabón para vajillas, 3 partes de agua.
2. Asegúrese de que las perillas de control de las válvulas/fogones estén en posición de apagado y que el regulador esté conectado de manera segura.
3. Abra la válvula del cilindro de gas completamente girando la rueda contra las agujas del reloj.
4. Aplique la solución en la manera, la válvula de gas, el regulador y el cilindro.
5. Si se forman burbujas en cualquiera de los componentes probados, hay una fuga en el componente. Que no haya burbujas quiere decir que no hay fugas.
6. Si ha identificado una fuga, por favor vuelva a realizar la prueba con los pasos 2 al 5. Si la fuga persiste, llame al servicio al cliente, 912-638-4724 o consulte su manual de propietario sobre cómo reemplazar o reparar los componentes de la parrilla.

Nivele la estufa al aire libre

Para una operación segura, su estufa al aire libre debe estar nivelada. Si la superficie exterior está ligeramente fuera de nivel, use los pies ajustables en la parte inferior de cada pata para corregirla. Al girar los pies ajustables en sentido contrario a las agujas del reloj, la pata se elevará, y en sentido de las agujas del reloj, bajará.





Instrucciones de Encendido

Su parrilla de Char-Griller® está equipada con dos zonas de calor individuales, todas controladas por su propio fogón a gas. Esto le da una flexibilidad óptima para cocinar múltiples tipos de alimentos en una sola superficie.

Cuando la encienda, mantenga su rostro y cuerpo tan alejados de los fogones como sea posible y nunca se incline sobre la superficie de la parrilla. Si la parrilla no se enciende entre 3 y 5 segundos, apáguela y espere 5 minutos para que el gas se disipe antes de intentar volver a encenderla. El no hacerlo puede resultar en una conflagración explosiva, que puede causar serias lesiones corporales o la muerte. Una vez esté encendida, pero antes de cocinar en la parrilla por primera vez, deje que la parrilla se aclimate durante 15 minutos. Este calor limpia las partes internas de la parrilla de cualquier cosa con la que pueda haber tenido contacto durante la fabricación y el envío.

NOTA: Antes del primer uso, es importante que cure su parrilla para asegurar el desempeño óptimo y una vida larga para su parrilla de Char-Griller® (ver las direcciones de curado/mantenimiento provistas en este manual).

Fogones Principales

Lea todas las instrucciones y advertencias antes de encenderla.

1. Asegúrese de que no haya obstrucciones al flujo del aire hacia la unidad de gas. Las arañas y los insectos pueden anidar dentro del tubo del fogón y atascarlo. Un tubo atascado puede causar incendios debajo de la unidad.
2. Para encender un fogón, presione la perilla de control del fogón para iniciar el flujo de gas.
3. Gire la perilla de control contra las agujas del reloj para activar el piloto. Si el fogón no se enciende dentro de 5 segundos, APAGUE el fogón, espere 5 minutos a que el gas se disipe y repita el procedimiento.
4. Ajuste la temperatura al nivel deseado.

Tras encenderlos, observe las llamas de los fogones y asegúrese que todos los puertos del fogón estén encendidos.

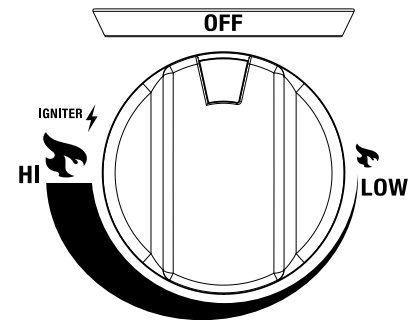
NOTA DE PRE-CALENTADO: NUNCA PRE-CALIENTE SU PLANCHA A FUEGO ALTO, YA QUE PUEDE CAUSAR DAÑO A LA SUPERFICIE DE LA ESTUFA, Y NUNCA DEJE SU PLANCHA DESATENDIDA.

Un pre-calentado apropiado asegurará el mejor desempeño de cocción para su estufa. Siempre pre-caliente su estufa en la función media o media-baja durante 5 minutos, y luego cámbielo a fuego alto o al nivel de temperatura deseado.

Si la llama de un fogón se apaga durante la operación, cierre el paso del gas en el panel de control y en la válvula del cilindro de gas. Deje que el gas se disipe por 5 minutos antes de volver a encenderla. Limpie la estufa luego de cada uso. NO utilice limpiadores abrasivos o inflamables, ya que dañan las partes y pueden causar un incendio.

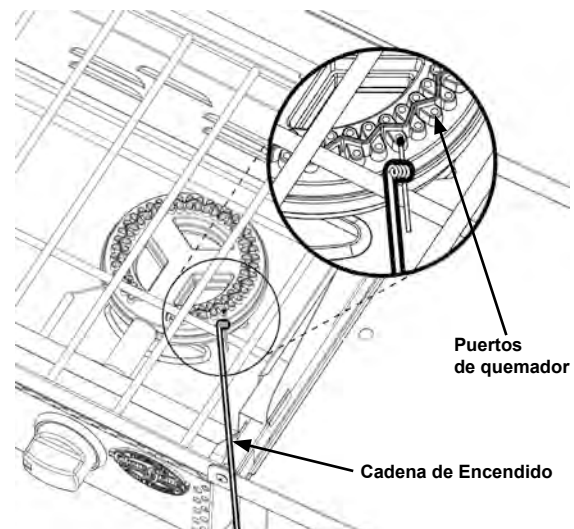
Cómo Apagar los Fogones

1. Gire las perillas en el sentido de las agujas del reloj a la posición de "HI," luego presiónela y gírela hasta "OFF." Nunca fuerce la perilla sin presionarla, ya que esto puede dañar la válvula y la perilla.
2. Cierre rápidamente la válvula del cilindro de gas.



Cómo Encender un Fogón con un Cerillo

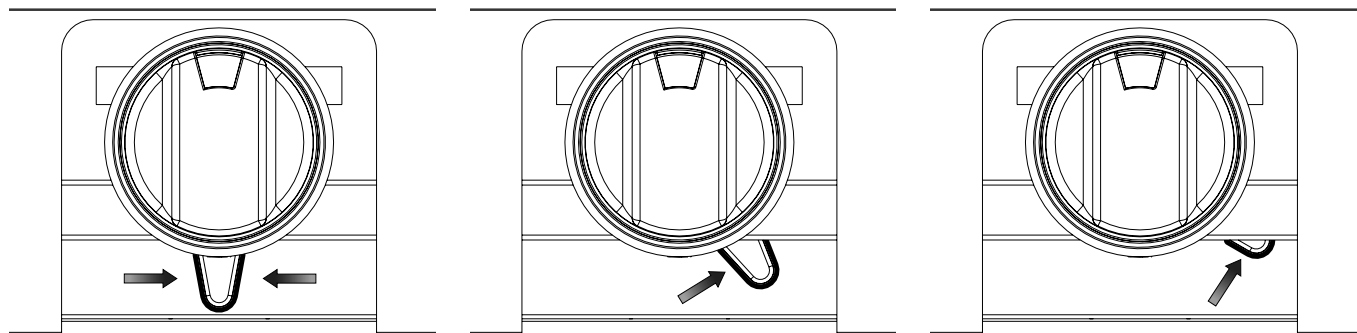
1. Asegúrese de que todas las perillas estén en posición de APAGADO.
2. Abra la válvula en el cilindro de gas.
3. Presione y gire la perilla contra las agujas del reloj a la posición de "HI."
4. Coloque el cerillo en la cadena de encendido instalado al lado de la estructura de la parrilla. Una vez el cerillo esté encendido, ponga la llama en la apertura en el lado izquierdo del cuerpo cerca de los puertos del fogón. El fogón debería encenderse inmediatamente.
5. Ajuste las perillas a las funciones de cocción deseadas.



Ajuste la llama usando la proporción aire-gas

Para calentar de forma pareja, su estufa al aire libre necesita la cantidad adecuada de aire para el flujo de gas. Si se ajusta correctamente, la llama del quemador será AZUL. NOTA: un toque anaranjado/amarillo en las puntas de la llama es normal. Los ajustadores de llama se usan para regular el flujo de aire.

Generalmente, una temperatura más alta requiere que los ajustadores de llama estén más abiertos mientras que con temperaturas más bajas, estarán más cerrados. Ajústelos según sea necesario.



COMPLETAMENTE ABIERTO

Encienda la estufa al aire libre y regule la hornalla en "HI". Si la llama es muy amarilla o no es consistente, debe abrir el ajustador de llama para permitir que entre MÁS aire al quemador.

PARCIALMENTE CERRADO

Encienda la estufa al aire libre y regule la hornalla a la mitad, entre "HI" y "LOW". Si la llama es amarilla o no es consistente, el ajustador de llama debe estar parcialmente cerrado para permitir que entre MENOS aire al quemador.

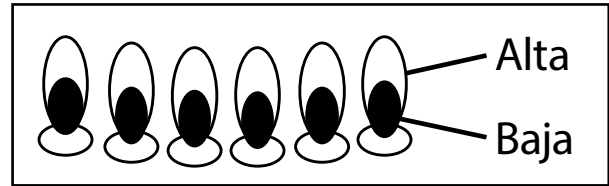
COMPLETAMENTE CERRADO

Encienda la estufa al aire libre y regule la hornalla en "LOW". Si la llama es amarilla o chisporrotea, el ajustador de llama debe estar completamente cerrado para no permitir que llegue aire al quemador.



Observe la altura de la llama cuando esté encendido

La llama debe tener un color azul y amarillo y debe tener entre 1/2 in. - 1 in. (1.2 cm - 2.54 cm) de alto en la función "HI".

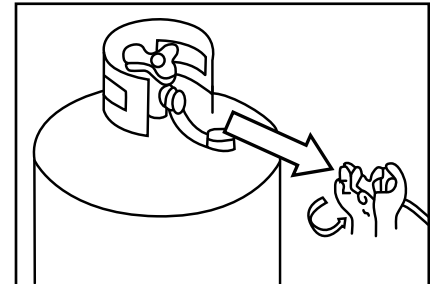


Manejo de la Temperatura

Maneje el calor ajustando las perillas del fogón desde bajo hasta medio para mantener el calor deseado para las condiciones de la cocción. La condición del clima impactará las fluctuaciones de calor de su estufa. Más calor será necesario en condiciones frías y con viento. Los distintos tipos y cantidades de comida también impactarán el manejo y distribución de la temperatura. Asegúrese de considerar estos elementos cuando cocine para una experiencia óptima con su estufa.

Cómo Desconectar el Cilindro de GLP

1. CIERRE todas las perillas de control y asegúrese de que la estufa esté fría.
2. Desconecte el regulador de la línea del gas desatornillando la boquilla, luego desatornille el tanque del regulador
3. Coloque la tapa protectora sobre el tanque de gas.



El Cilindro de GLP

¡El cilindro de GLP no debe dejarse caer ni ser manejado con brusquedad! Si la unidad no está en uso, el cilindro debe ser desconectado. Remplace la tapa protectora del cilindro luego de desconectar el cilindro de la unidad.

Los cilindros deben ser almacenados en exteriores en posición vertical y fuera del alcance de los niños. El cilindro nunca debe ser almacenado donde las temperaturas puedan exceder los 122°F (50° C). No almacene el cilindro cerca de llamas, pilotos de encendido o demás fuentes de ignición. **NO FUME CERCA DEL CILINDRO DE GAS.**

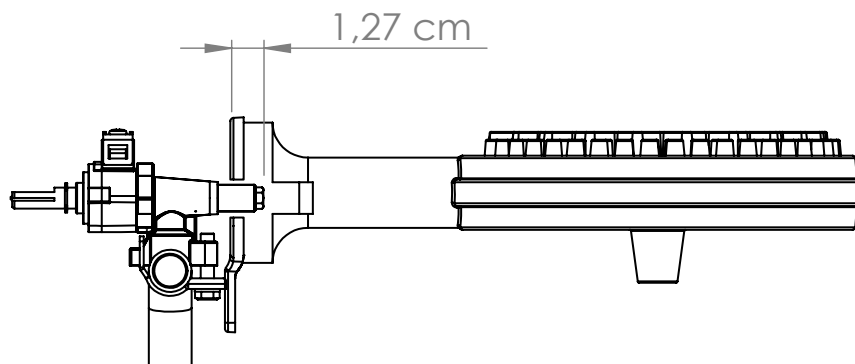
De nuevo, esta unidad está diseñada únicamente para su uso en exteriores y alejada de materiales inflamables. Es importante que no haya obstrucciones sobre esta y que haya una distancia mínima de 36 pulgadas (90cm) desde el costado o la parte trasera de la unidad. Es importante que las aperturas de ventilación de la unidad no sean obstruidas. La parrilla debe ser utilizada sobre una superficie nivelada y estable. La unidad debe estar protegida de las corrientes de aire directas y posicionada o protegida contra la penetración directa de cualquier goteo de agua (por ejemplo, la lluvia).

Las partes selladas por el fabricante o su agente no deben ser alteradas por el usuario. No deben hacerse modificaciones a ninguna parte de esta unidad, y las reparaciones y el mantenimiento debe ser efectuado únicamente por un ingeniero o técnico de servicio registrado.

CUIDADO Y MANTENIMIENTO

Cuando termine de cocinar, apague todos los quemadores y deje que se enfríe.

Al realizar la limpieza y el mantenimiento de los quemadores, asegúrese siempre de que los puertos de los quemadores estén correctamente alineados con las aberturas de las válvulas después de reinstalarlos en la estufa exterior. Consulte la figura para ver la alineación correcta.



Una vez que se enfríe, limpie su estufa al aire libre con un trapo, jabón y agua. Para proteger y prevenir el óxido, cubra ligeramente las rejillas de cocción con aceite de lino u otro aceite vegetal. La limpieza y el cuidado continuos son la clave para garantizar una larga vida útil de su estufa al aire libre Char-Griller®.

Cubierta de la estufa al aire libre

Prolongue la vida de su estufa al aire libre usando una cubierta Char-Griller® Custom Fit para protegerla de las inclemencias del tiempo. El material de poliéster resistente a la intemperie protege contra los pájaros, el polvo, el viento, la lluvia y la nieve. (Modelo n.º 3375)



**Esta Página Ha Sido
Intencionalmente Ha Dejado
En Blanco**



ACCESORIOS FAVORITOS

PARA VER TODOS LOS ACCESORIOS VISITE A CHARGRILLER.COM



Cubierta a la Medida

Resistente al Clima
Protege el Acabado de la Parrilla

Modelo #3375



Guantes para asador Char-Griller®

Resistente a las altas temperaturas
Agarre de silicona antideslizante
Cubre el antebrazo
Se puede usar en la mano derecha o izquierda

Modelo #8860



Cobertor para el tanque

Resistente a la intemperie
Velcro de nylon
Elástico en la parte superior e inferior
Cobertor solamente
**El tanque no viene incluido*

Modelo #9955



Termómetro de sensor plegable

El sensor de acero inoxidable para lectura rápida mide con precisión la temperatura
Se cambia fácilmente de °F a °C
Función de ENCENDIDO/ APAGADO automático para una mayor duración de la batería

Modelo #6304



Gorra Char-Griller®

Frente hecho en mezcla de algodón y poliéster con malla de nylon en la parte posterior
Cierre ajustable a presión
Un tamaño que se adapta a todos

Modelo #70100



Condimento original para todo tipo de barbacoas

Acompaña bien todo tipo de carnes y pescados

Modelo #85501



P.O. Box 30864
Sea Island, GA 31561
1-912-638-4724
www.CharGriller.com
Service@CharGriller.com

