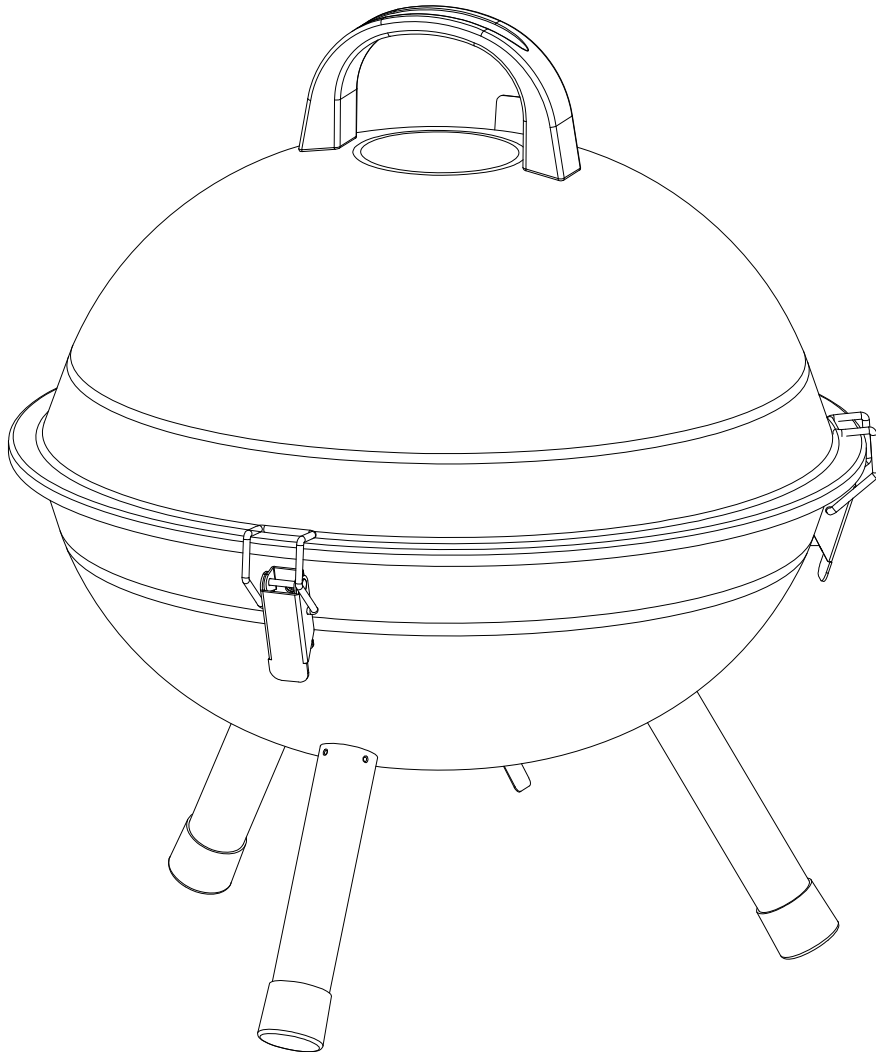


# Necessities®

## Outdoor Necessities Portable Charcoal BBQ Model: CBT1414A & CBT1414AR



For Outdoor Use Only!

Warning! Be Careful of sharp edges during assembly.

Made In China

Save these instructions for future reference. If you are assembling this unit for someone else, give this manual to him or her to read and save for future use.

# Exploded View & Hardware List

Parts List	Exploded View
1. Handle 2. Air vent (2) 3. Lid 4. Cooking grid 5. Charcoal grid 6. Bottom bowl 7. Cooking grid support (3) 8. Lock (3) 9. Leg (3)	

## Hardware List

A: M4X10 Screw 8Pcs 	E: Ø 6 Large washer 5Pcs 
B: M6X25 Screw 3Pcs 	F: Ø 6 Heat resistant washer 2Pcs 
C: M4 Wing Nut 8Pcs 	G: Ø 6 Large lock washer 2Pcs 
D: M6 Wing Nut 2Pcs 	

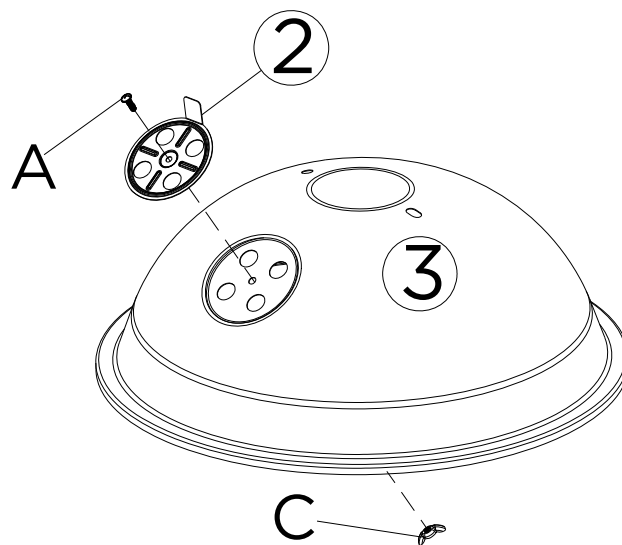
# Assembly Instructions

For easiest Assembly:

- To avoid losing any small components or hardware, assemble your product on a level surface that does not have cracks or openings.
- Clear an area large enough to layout all components and hardware and that is soft to not scratch or damage any surface finishes.
- When applicable, tighten all hardware connections by hand first. Once the step is completed, go back and fully tighten all hardware while being cautious not to over tighten to avoid damaging surfaces or stripping hardware.
- Follow all steps in order to properly assemble your product.
- The estimated assembly time is: 20-25 minutes.

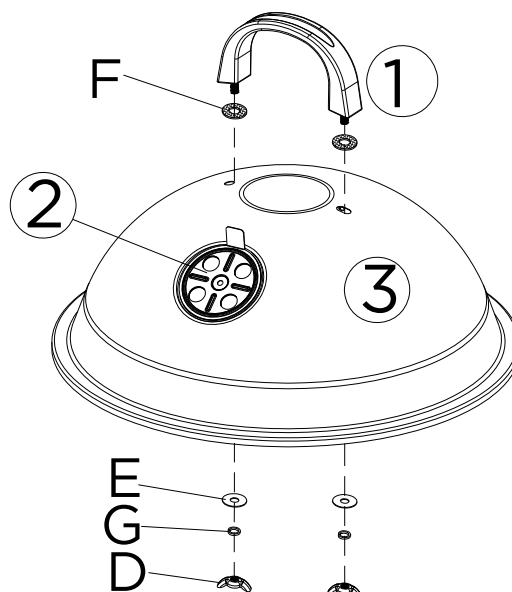
## Step 1

Attach air vent (2) to lid (3) (A Screw 1Pc / C Wing nut 1Pc).



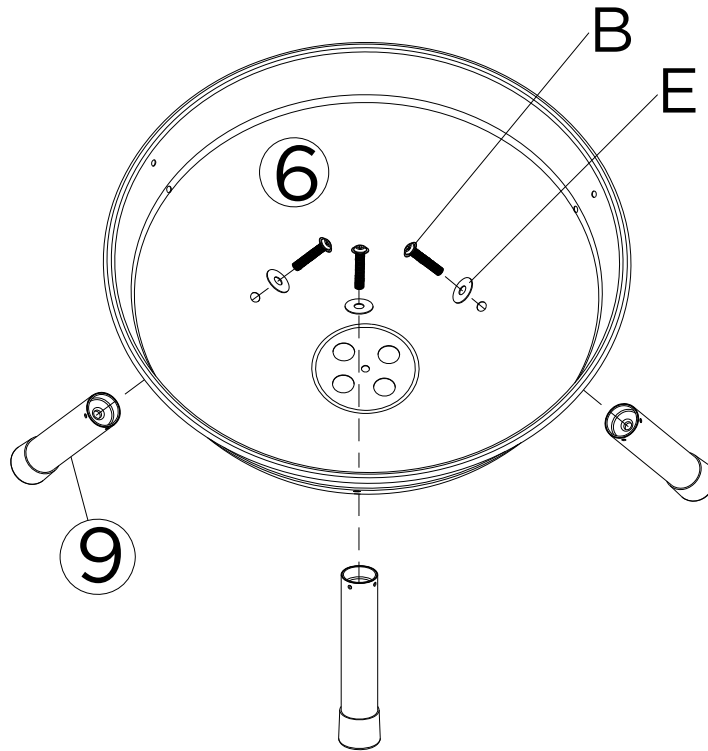
## Step 2

Attach handle (1) to lid (3) (F Heat resistant washer 2Pcs / E Large washer 2Pcs / G Large lock washer 2Pcs / D Wing nut 2Pcs).



### Step 3

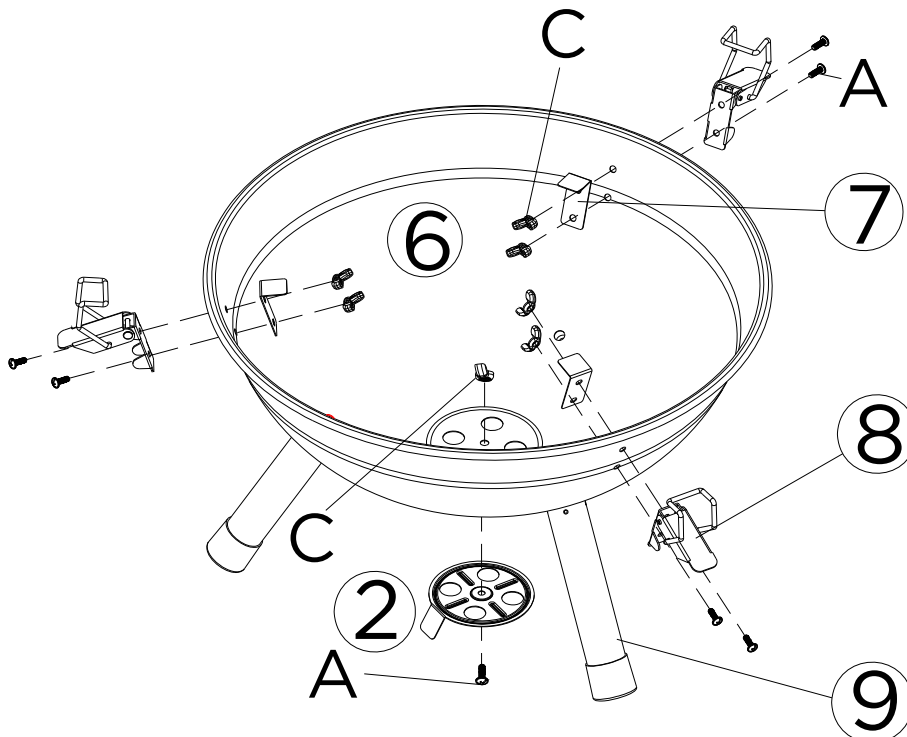
Attach leg (9) to bottom bowl (6) (B Screw 3Pcs / E Large washer 3Pcs).



### Step 4

Attach cooking grid support (7) and lock (8) to bottom bowl (6) (A Screw 6Pcs / C Wing nut 6Pcs).  
Note: Please use screwdriver (Not Included) to tighten the screw from outside and keep the two wing nuts in level position after tightened.

Attach air vent (2) to bottom bowl (6) (A Screw 1Pc / C Wing nut 1Pc).

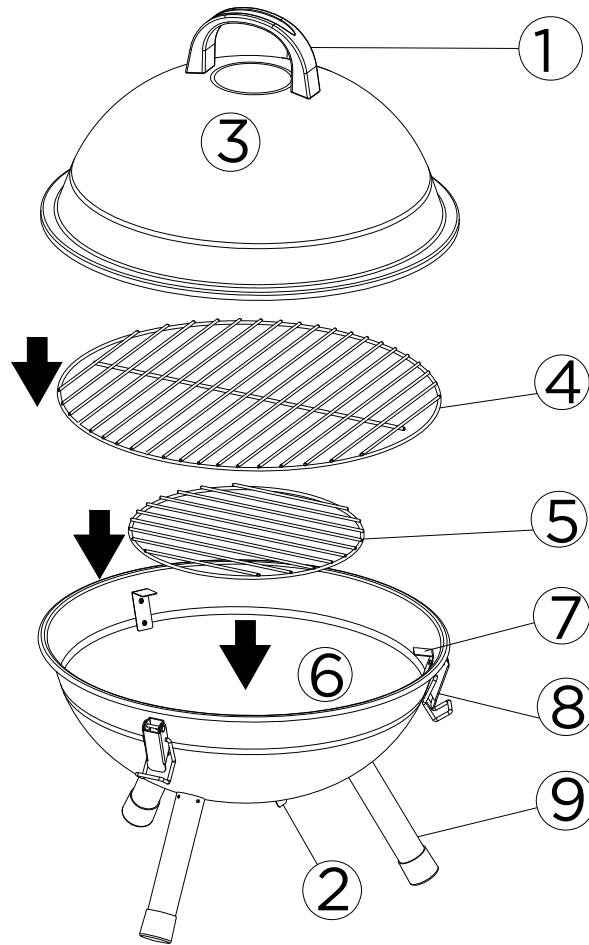


## Step 5

Insert charcoal grid (5) into bottom bowl.

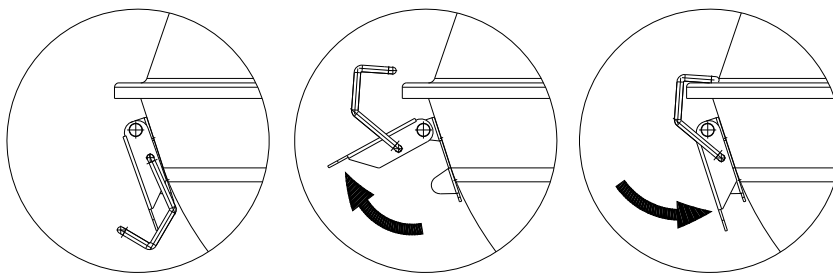
Insert cooking grid (4) into bottom bowl.

Cover lid onto bottom bowl.

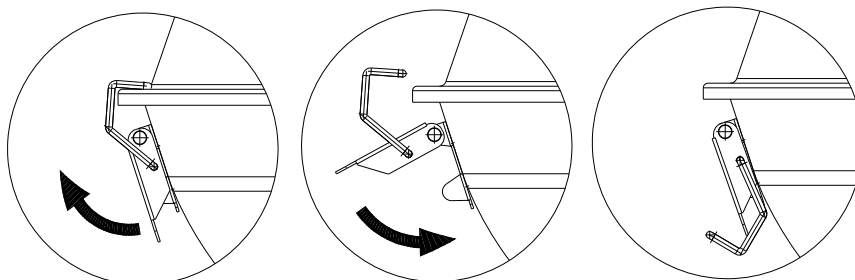


## Appendix

To lock lid: lift up lock handle, place lock bracket onto lid and push lock handle down to secure.



To unlock lid: lift up lock handle, remove lock bracket from lid, push lock handle down.



## Lighting Procedures

- Set the barbeque up on a hard non-combustible level surface. The base of the grill will get hot so be sure to keep away from areas that could catch fire.
- Be sure charcoal grate is in place in firebox. Pile charcoal in a pyramid shape on charcoal grate. Ignite charcoal as instructed on charcoal packaging using charcoal lighter fluid or lighter cubes.
- When coals are ashed-over arrange coals evenly over grate with long handled tongs.

## Food Cooking Information

- ALWAYS wash your hands before or after handling uncooked meat and before eating.
- NEVER place cooked meat on the same plate that raw meat was on.
- DO NOT use the same utensils to handle cooked and uncooked foods.
- Before cooking ensure barbeque grill surfaces and tools are clean and free of old food residues.
- It is recommended that the barbecue shall be heated up and the fuel kept red hot for at least 30min prior to the first cooking on the barbecue.
- DO NOT cook before the fuel has a coating of ash.

## Grill Care

- Make sure the grill is cool and coals are out.
- Remove ashes.
- Wash grill with a mild detergent and rinse with water.
- Wipe dry with cloth or paper towel.
- Clean food grate with wire brush or crumbled aluminum foil.
- Store in dry area.

### **DANGER!**

**DO NOT use charcoal briquettes for indoor cooking or heating. TOXIC carbon monoxide fumes can accumulate and cause asphyxiation.**

### **DANGER!**

**It is not intended to be installed in or on recreational vehicles and/or boats. Live hot briquettes can create a fire hazard.**

### **DANGER!**

**Do not use spirit or petrol for lighting or re-lighting.**

### **WARNING!**

**This barbecue will become very hot, do not move it during operation. Keep children and pets away.**

### **WARNING!**

**Do not use indoors!**

### **WARNING!**

**Keep children and pets away.**

### **WARNING!**

**The maximum fuel(s) to be used in this charcoal BBQ is 0.9 kg**