

This Owner's Manual is provided and hosted by [Appliance Factory Parts](#).



GENERAL MAC 2020 Owner's Manual

[Shop genuine replacement parts for GENERAL MAC
2020](#)



[Find Your GENERAL Air Cleaner Parts - Select From 69 Models](#)

----- Manual continues below -----

GeneralAire® Models MAC 1400, MAC 2000, & MAC 2020 Media Air Cleaners

For installation in the return air duct of any forced air heating and cooling system

Please Leave This Manual With The Homeowner

Date of Installation: _____ Installed by: _____ Installer Phone: _____

Place Serial Number Sticker Here:

- Installation by anyone other than a qualified contractor voids the warranty.
- Modification or alteration of product, parts, installation instructions or local safety codes voids warranty.
 - Read our full warranty policy at the end of this document.

MERV 11 Air Cleaners

75% Dust Spot Efficiency 1.0 to 3.0 Microns



MAC 2020

MAC 2000

MAC 1400

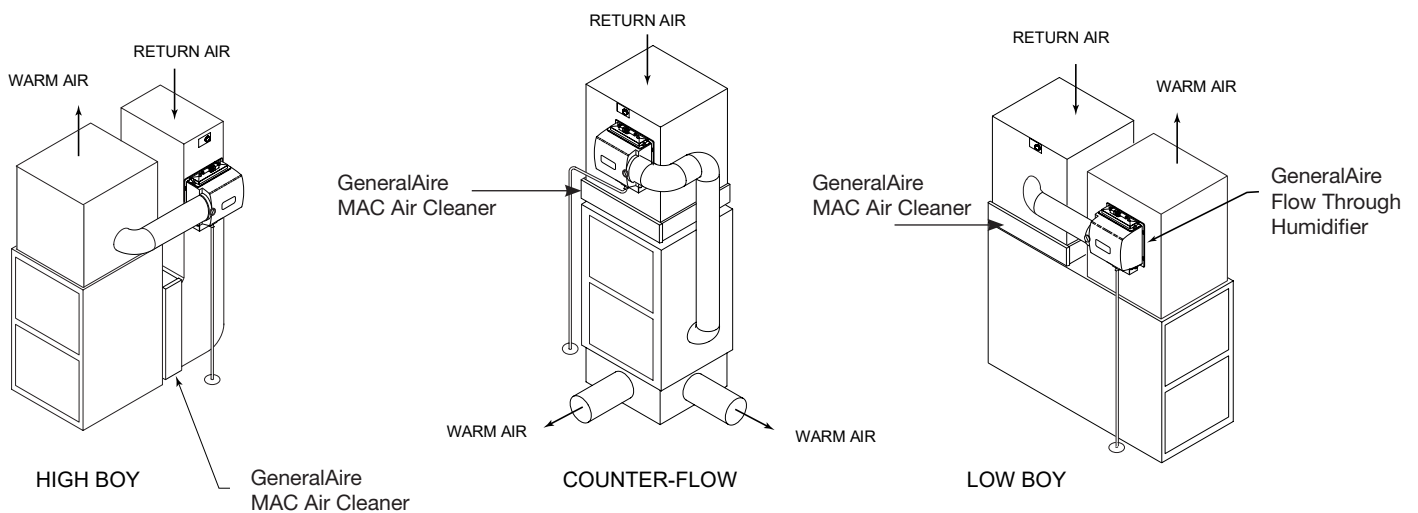
Installation Instructions

IMPORTANT: A 22 Inch Clearance Must Be Allowed For Removal Of The Media Cartridge From The Cabinet.

1. Turn off electricity to furnace.
2. Remove front cover.
3. Slide media cartridge from air cleaner cabinet, and discard packing material.
4. Remove and discard existing furnace air filter.
5. Install cabinet in return air system.
6. Properly install airflow direction arrows on interior of cabinet. Duct supports are recommended to support weight of cabinet. See typical installations.
7. Slide the media cartridge into the cabinet. Be sure the airflow arrow on the cartridge is in the same direction as the arrow in the cabinet. The wire mesh is always on the downstream side of the filter media. Replace cover.
8. If a condition indicator is to be used, install on a vertical duct surface between the air cleaner and the furnace blower.
9. Turn on electricity and furnace and check performance of all equipment.

Pressure Drop Schedule

| CFM | IN W.C. MAC 2000 | IN W.C. MAC 1400 MAC 2020 |
|------|---------------------|---------------------------------|
| 600 | 0.04 | 0.07 |
| 800 | 0.06 | 0.11 |
| 1000 | 0.08 | 0.16 |
| 1200 | 0.11 | 0.22 |
| 1400 | 0.14 | 0.28 |
| 1600 | 0.17 | |
| 1800 | 0.21 | |
| 2000 | 0.26 | |



! IMPORTANT:

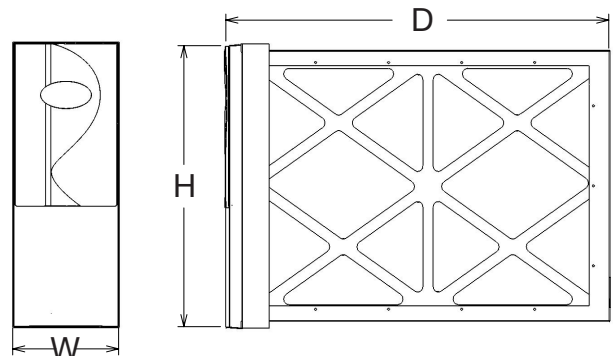
Ensure Proper Clearance For Removal Of The Media Cartridge From the Cabinet

- MAC 1400 26 Inches
- MAC 2000 26 Inches
- MAC 2020 22 Inches

Dimensions

- MAC 1400 17 5/16" H x 26 1/8" D x 7" W
- MAC 2000 21 1/8" H x 26 1/8" D x 7" W
- MAC 2020 21 5/16" H x 22 5/8" D x 7" W

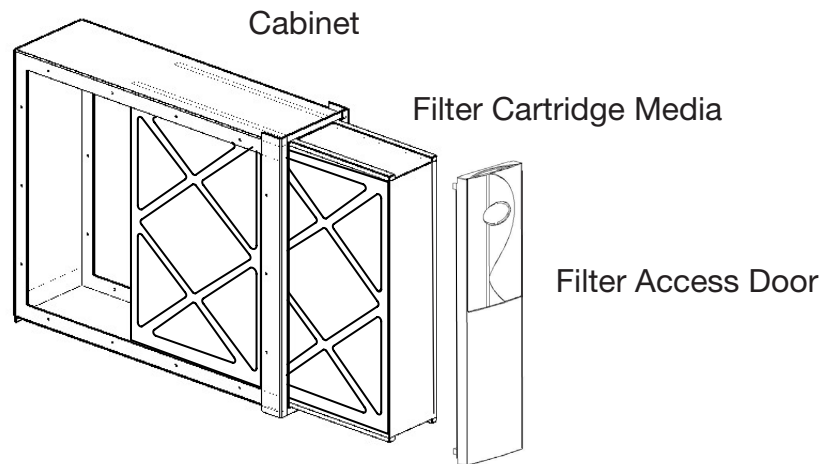
Depth measurement includes door.



Maintenance

The air cleaner media will normally need to be replaced every 4 to 6 months (end of the heating or cooling season) with normal usage. If an air cleaner condition indicator is used, change the media when the device indicates that service is required. Additionally, the frequency of filter replacement can be determined by visual examination.

Parts



| Replacement | Filter Cartridge Media | Filter Access Door | Cabinet |
|-------------|------------------------|--------------------|---------|
| MAC 1400 | GFI #4541 MERV 11 | 14056 | 14021 |
| MAC 2000 | GFI #4551 MERV 11 | 14018 | 14001 |
| MAC 2020 | GFI #4556 MERV 11 | 14018 | 14172 |

Warranty

This air cleaner, if properly registered on line at www.generalfilters.com is warranted to the consumer against defects in materials and workmanship for a period of ten years from the date of installation. The air cleaner media is not covered by this limited warranty or any other warranties.

Any other defective parts will be repaired without charge except for removal, reinstallation and transportation costs. To obtain repair service under this limited warranty, the consumer must send the defective part or the complete unit to the manufacturer.

There are no express warranties covering this air cleaner other than as set forth above, the implied warranties of merchantability and fitness for a particular purpose are expressly excluded. The manufacturer assumes no liability in connection with the installation or use of this product, except as stated in this limited warranty. The manufacturer will in no event be liable for incidental or consequential damages.

This limited warranty gives you specific legal rights, and you may also have other rights which vary from state to state. Some states do not allow either limitations on implied warranties, or exclusions from incidental or consequential damages, so the above exclusion and limitation may not apply to you. Any questions pertaining to this limited warranty should be addressed to the manufacturer. U.S.A.: The manufacturer has elected not to make available the informal dispute settlement mechanism which is specified in the Magnuson-Moss Warranty Act.)

If you do not have on-line access, please mail a postcard with your name, phone number, email address, product purchased, model number, date of purchase, serial number, and contractor contact information to:

USA: General Filters, Inc. 43800 Grand River Ave Novi, MI 48375
www.GeneralFilters.com Toll Free (866) 476-5101

Canada: 400 Midwest Road Toronto, ON, M1P 3A9 Canada
www.CGFPProducts.com Toll Free (888) 216-9184