

This Owner's Manual is provided and hosted by [Appliance Factory Parts](#).



Backyard Grill CBT1302WBRS-C Owner's Manual

[Shop genuine replacement parts for Backyard Grill
CBT1302WBRS-C](#)



[Find Your Backyard Grill Grill Parts - Select From 50 Models](#)

----- Manual continues below -----

Outdoor Charcoal Barbecue

Model No. CBT1302W-C Series



 **WARNING**
FOR YOUR SAFETY:
For Outdoor Use Only
(outside any enclosure)

 **WARNING**
FOR YOUR SAFETY:

1. Improper installation, adjustment, alteration, service or maintenance can cause injury or property damage.
2. Read the installation, operation, and maintenance instructions thoroughly before installing or servicing this equipment.
3. Failure to follow these instructions could result in fire or explosion, which could cause property damage, personal injury, or death.
4. This instruction manual contains Important information necessary for the proper

Table of Contents

Important Safeguards

Expanded View & Hardware

Assembly Instructions

Operating Instructions

Cleaning and Care

Product Registration

Replacement Parts

Limited Warranty

THIS INSTRUCTION BOOKLET CONTAINS IMPORTANT SAFETY INFORMATION FOR FUTURE REFERENCE.

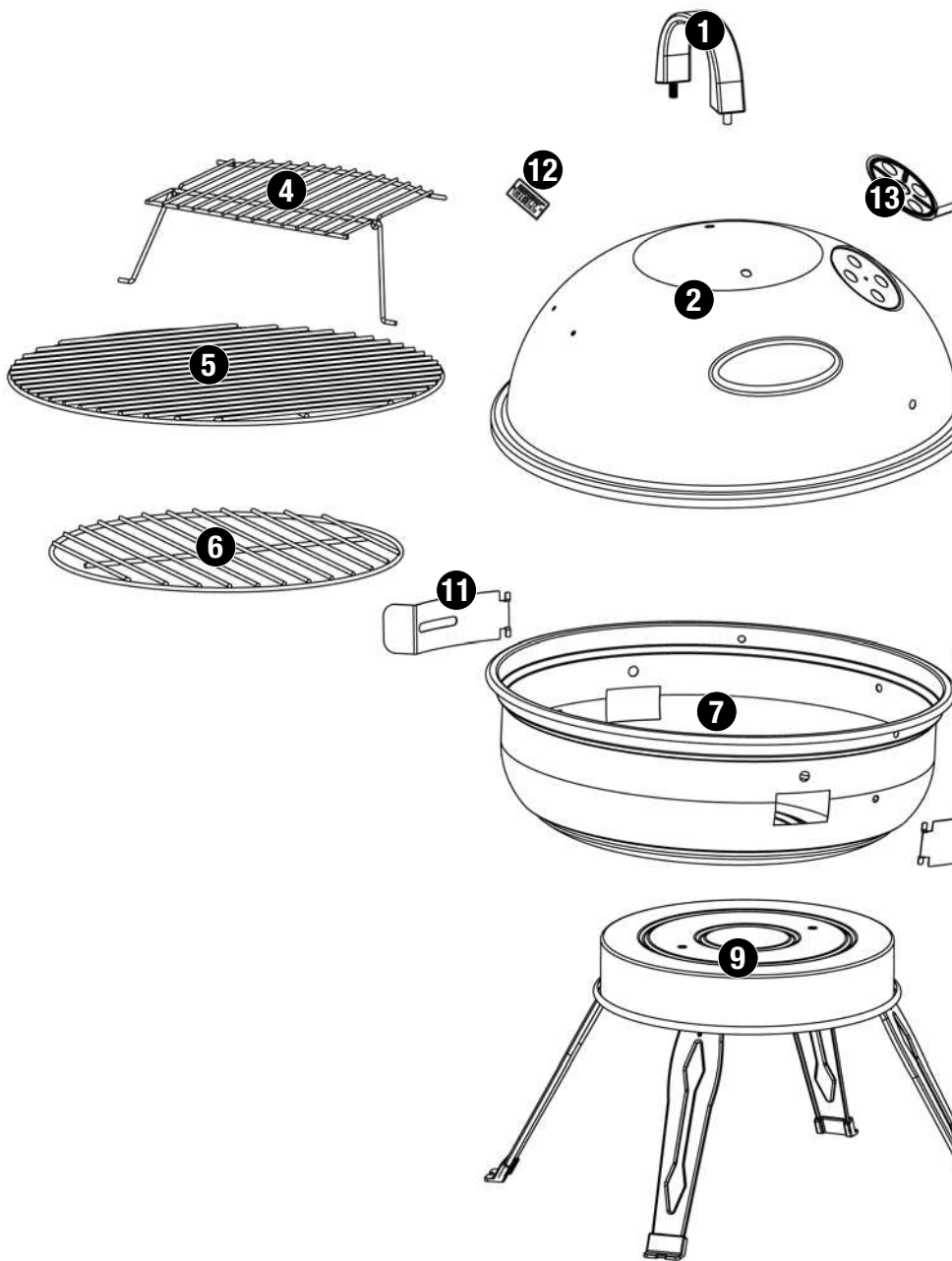
Important Safeguards

- ▲ **DANGER:** Failure to follow the dangers, warnings and cautions in this manual may result in serious bodily injury or death causing damage to property.
- ▲ **WARNINGS:**
- ▲ This grill is for outdoor use only, and should NOT be used in a building, garage or any other enclosed area.
- ▲ Do NOT operate, light or use this appliance within ten feet (3.05 m) of walls, structures or buildings.
- ▲ For residential use only. This grill is NOT for commercial use.
- ▲ Never use charcoal that has been pre-treated with lighter fluid. Use only a high grade plain charcoal, charcoal/wood mixture, lump charcoal or cooking wood. The conversion to or attempted use of any other fuel source in this charcoal grill is dangerous and will void your warranty.
- ▲ This grill is NOT intended for and should never be used as a heater. TOXIC fumes can accumulate and cause asphyxiation.
- ▲ Do NOT use grill for indoor cooking. TOXIC carbon monoxide fumes can accumulate and cause asphyxiation.
- ▲ This grill is safety certified for use in the United States and/or Canada only. Do NOT modify for use in any other location. Modification will result in a safety hazard and will void your warranty.
- ▲ Apartment dwellers: Check with management to learn the requirements and fire codes for using a charcoal grill in your apartment complex. If allowed, use outside on the ground floor with a ten foot (3.05 m) clearance from any structure. Do NOT use on or under balconies.
- ▲ Minimum clearance from sides and back of unit to combustible construction is 36 inches (91.4 cm). Do NOT use this appliance under any type of overhang or roof.
- ▲ Do NOT use gasoline, kerosene or alcohol for lighting.
- ▲ Do NOT use in an explosive atmosphere. Keep grill area clear and free from combustible materials, gasoline and other flammable vapors and liquids.
- ▲ Do NOT store or use gasoline or other flammable liquids or vapors within 25 feet (7.62 m) of this appliance.
- ▲ Do NOT block holes in sides or back of grill.
- ▲ Inspect grill before each use.
- ▲ Do NOT alter grill in any manner. Any alteration will void your warranty.
- ▲ Do NOT build this model of grill in any built-in or slide-in construction. Ignoring this warning could cause a fire or an explosion that can damage property and cause serious bodily injury or death.
- ▲ Do NOT use the grill unless it is COMPLETELY assembled and all parts are securely fastened and tightened.
- ▲ This grill should be thoroughly cleaned and inspected on a regular basis.
- ▲ Use only Blue Rhino Global Sourcing, Inc. factory-authorized parts. The use of any part that is not factory-authorized can be dangerous and will void your warranty.
- ▲ Do NOT attempt to move grill when in use or when moving or storing.
- ▲ Do NOT leave grill unattended while preparing food or cleaning residue.
- ▲ When cooking, fire extinguishing material should be readily available. In the event of an oil/grease fire, do NOT use water. Use type BC dry chemical fire extinguisher, sand or baking soda.
- ▲ Always open grill lid carefully and slowly. Sudden release of steam within grill can severely burn you.
- ▲ If grill has not been cleaned, a grease fire may occur during the product operation.
- ▲ Do NOT place empty cooking vessels on grill during operation.
- ▲ Use caution when placing anything on grill during operation.
- ▲ Never add lighting fluid to hot or warm grill. Doing so may cause serious injury or damage to property.
- ▲ Always place your grill on a hard, non-combustible surface. Asphalt or blacktop surface may not be suitable.
- ▲ Do NOT remove the ashes until they are completely extinguished.
- ▲ Live hot briquettes and coals can create sparks.
- ▲ Always empty the bottom bowl and grill pan.
- ▲ Do NOT place fuel (charcoal briquettes, lump charcoal) into bottom of grill. Place fuel only on top of grill.
- ▲ Do NOT allow charcoal to rest on the bottom of grill. This will reduce the life of the metal and finish of the grill.
- ▲ Check to make sure the air vents are free from obstruction on the grill.
- ▲ Extinguished coals and ashes should be disposed of in a safe structure and combustible materials.
- ▲ With a garden hose, completely wet the grill to extinguish any ashes, coals or embers during the cooking or cleaning process.
- ▲ The use of alcohol, prescription or non-prescription drugs may reduce the consumer's ability to properly assemble and use the grill.
- ▲ Always wear protective gloves when handling hot briquettes or wood or lump charcoal) to retain desired temperature.
- ▲ Keep all electrical cords away from a hot grill.
- ▲ Always use a meat thermometer to ensure proper cooking.

Parts List

1	Lid Handle	55-09-052
2	Lid	55-11-206 (WB-C) 55-11-535 (WBRS-C)
3	Top Hinge	55-09-055
4	Warming Rack	55-11-360
5	Cooking Grid	55-09-056
6	Charcoal Grid	55-09-057
7	Bottom Bowl	55-09-058
8	Bottom Hinge	55-09-059
9	Base Assembly	55-09-061
10	Wire Handle	55-09-060
11	Air Damper (2)	55-09-377
12	Brand Plate	55-22-270
13	Lid Air Vent	55-08-454

Expanded View



Assembly Instructions

1

DO NOT RETURN TO PLACE OF PURCHASE.

For assistance, call **1.800.762.1142** toll-free. Please have your owner's manual and model number available for reference.

For Easiest Assembly:

1. Select an area where you will assemble this product. To protect components, choose a smooth surface that's free of cracks or openings.
2. Spread out all parts.
3. Tighten all hardware connections by hand first. Then, before completing each step, go back and fully tighten all hardware. Be careful not to overtighten. That could damage surfaces or strip threads.
4. For best results, complete each step in the order presented.

To complete assembly you will need:

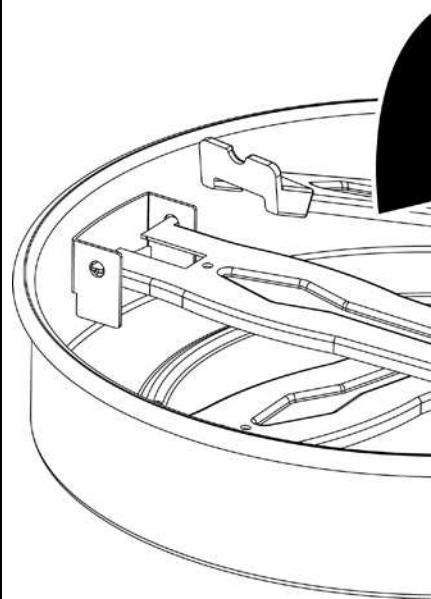
- One bag of charcoal (not included)

Typical assembly is approximately 15 minutes.

2

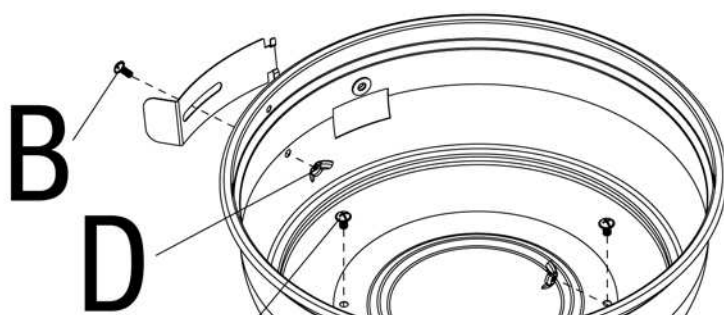
Unfold Legs

Note: Always open legs completely and se



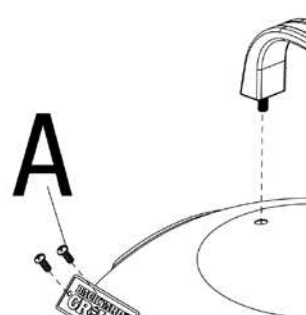
3

Attach Bottom Bowl and Air Dampers



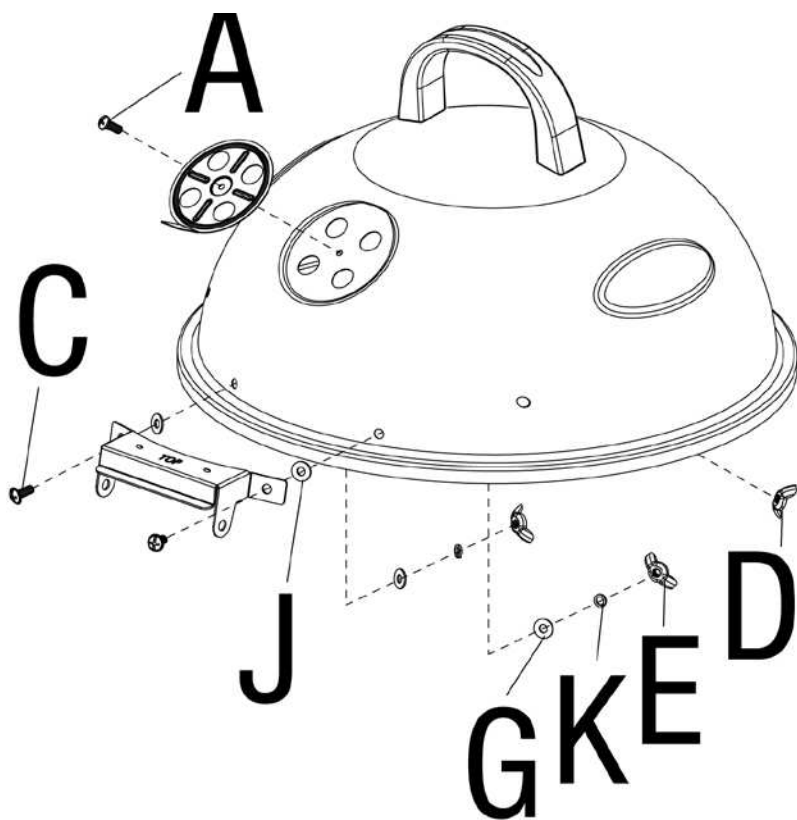
4

Attach Lid Handle and Brand

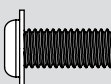


5


Attach Top Hinge and Lid Air Vent



A  x1

C  x2

D  x1

E  x2

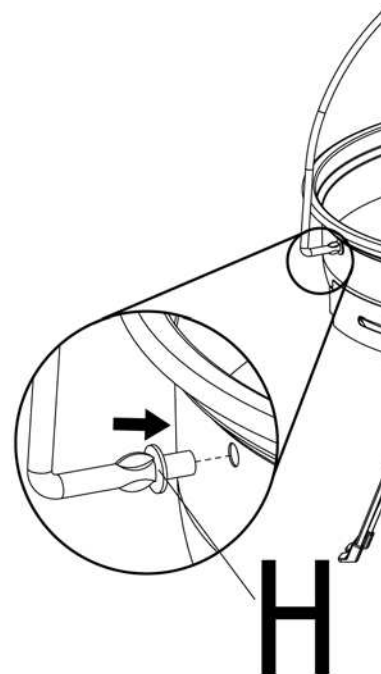
G  x2

J  x2

K  x2

6

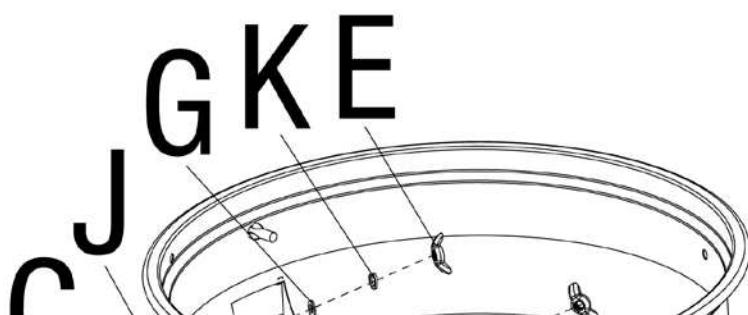
Attach Wire Handle



H  x2

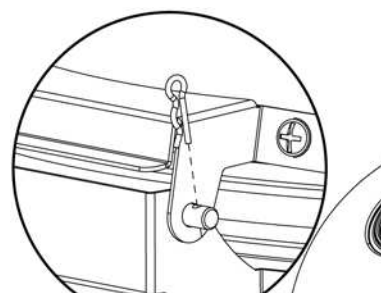
7

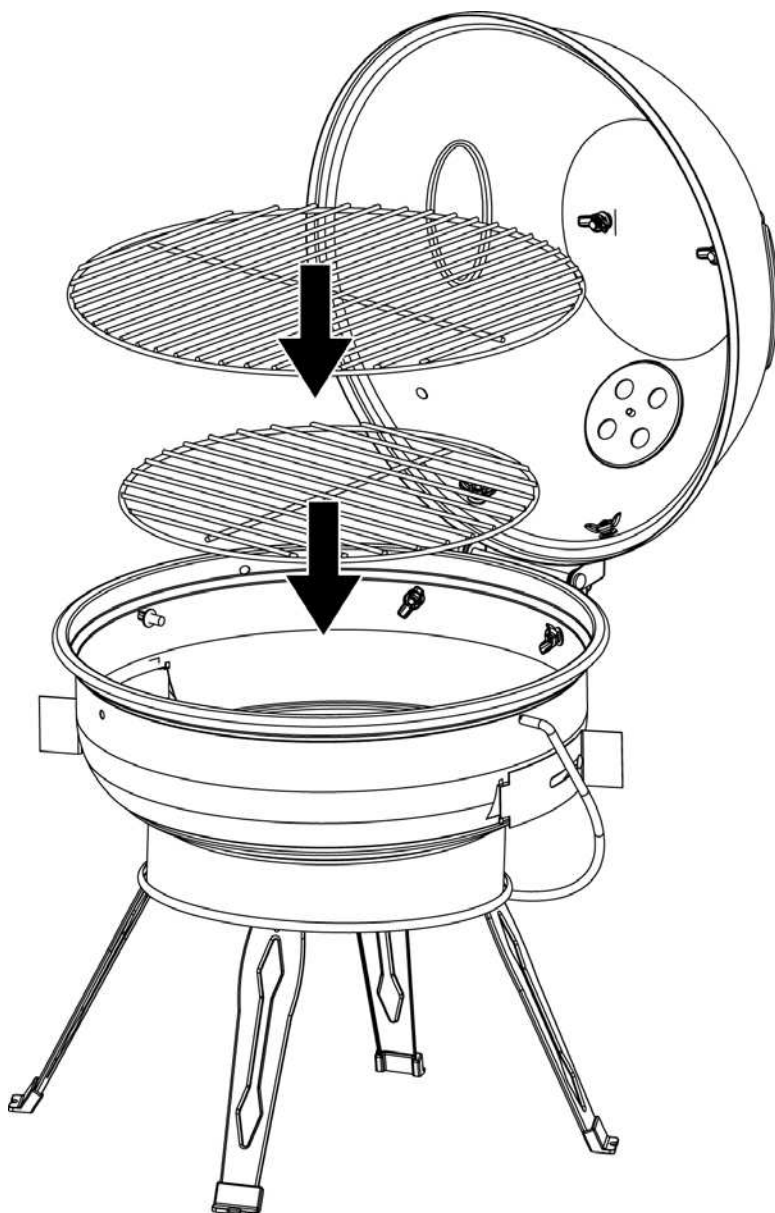
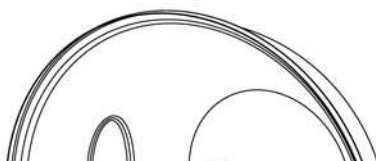
Attach Bottom Hinge



8

Attach Lid



Assembly Instructions (continued)
9
Insert Charcoal Grid and Cooking Grid

10
Insert Warming Rack

Operating Instructions

- ⚠ **CAUTION:** Never use charcoal that has been treated with a preservative fluid. Use only a high grade plain charcoal lump charcoal or cooking wood.

First Use

1. Make sure all labels, packaging and protective coatings are removed.
2. Remove manufacturing oils before cooking on the grill for at least 15 minutes with the lid closed. This will help to dissipate odors.

Lighting Instructions

- ⚠ **CAUTION:** Keep outdoor cooking appliances away from combustible materials, gasoline and other flammable liquids.
 - ⚠ **CAUTION:** Check to make sure the air vents are open before using the grill.
 - ⚠ **CAUTION:** Attempting to light the grill with a match can cause an explosion.
 - ⚠ **CAUTION:** When using a liquid starter, use a long-handled tool to add fuel before lighting. Fluid can collect in the bottom of the grill, resulting in a fire.
 - ⚠ **CAUTION:** Never add lighting fluid to hot or warm coals as flashback may occur, causing serious injury or damage to property.
1. Open lid and vents.
 2. Make sure bottom bowl is empty.
 3. Remove cooking grid.
 4. Arrange charcoal briquettes or other fuel on the bottom bowl to the "Fill Line" (Figure 1).
 5. Light per instructions on fuel package.
 6. Allow fuel time to ash into glowing coals before cooking.

Turning Off

1. Allow charcoal to completely extinguish itself.
- ⚠ **WARNING:** Do NOT use water to extinguish the grill and cause damage.
2. Dispose of the ashes in a proper location.

Controlling Flare-ups:

- ⚠ **CAUTION:** Do NOT use water on a grease fire. Grease can splatter and could result in serious injury or other damage.
- ⚠ **CAUTION:** Do NOT leave grill unattended. Turn off grill and remove food residue. If grill has not been cleaned, this residue may cause flare-ups that may damage the product.
- ⚠ **WARNING:** When cooking, fire extinguisher should be readily accessible. In the event of an emergency, use a fire extinguisher or smother the fire. Do NOT attempt to extinguish with water.

Cleaning and Care

⚠ CAUTION:

1. All cleaning and maintenance should be done when grill is cool and with the ashes properly disposed of.
2. Do NOT clean any grill part in a self-cleaning oven. The extreme heat will damage the finish.

Notices

1. This grill should be thoroughly cleaned and inspected on a regular basis.
2. Abrasive cleaners will damage this product.
3. Never use oven cleaner to clean any part of grill.

Before Each Use

1. Keep the grill area free and clear from any combustible materials, gasoline, and other flammable vapors and liquids.
2. See below for proper cleaning instructions.

Cleaning Surfaces

1. Wait for grill to fully cool.
2. Wipe surfaces clean with a mild dishwashing detergent or baking soda mixed with water.
3. For stubborn stains, use a citrus-based degreaser and a nylon scrubbing brush.
4. Rinse clean with water.
5. Allow to air dry.

Before Storing

1. Wait for grill to fully cool.
2. Clean all surfaces.
3. If storing the grill indoors, cover the grill and store in a cool dry place.
4. If storing the grill outdoors, cover the grill with a grill cover for protection from the weather.

Product Registration

For faster warranty service, register your product immediately at BlueRhino.com/warranty or call 1.800.762.1142.

Replacement Parts

Replacement parts can be found at parts.BlueRhino.com or call 1.800.762.1142.

Limited Warranty

Blue Rhino Global Sourcing, Inc. ("Blue Rhino") warrants to you, the original purchaser of this product, and to no other person, that if this product is found to be defective in workmanship or materials, in accordance with the printed instructions accompanying the product, from the date of purchase, all parts in such product are warranted for workmanship. Blue Rhino may require reasonable proof of purchase. You should retain your sales slip or invoice. This warranty covers repair or replacement of parts, which prove defective in workmanship or materials. Blue Rhino shall determine in its reasonable discretion whether repair or replacement of parts, you should contact Blue Rhino for more information. Contact information listed below. If Blue Rhino determines that a part covered by this Limited Warranty in any returned part, and that the part is defective, Blue Rhino will replace such defective part without charge. All other charges must be prepaid by you. Blue Rhino will not be responsible for the original purchaser, freight or postage prepaid.

This Limited Warranty does not cover any failure or damage caused by misuse, abuse, misuse, alteration, misapplication, improper use, or failure to receive service by you or any third party, or failure to properly maintain the product as set out in this owner's manual. This warranty does not cover damage to the finish, such as scratches, dents, or other damage, after purchase.

This Limited Warranty is in lieu of all other express or implied warranties for products that are purchased from Blue Rhino Global Sourcing, Inc. distributors, including the warranty of merchantability. BLUE RHINO ALSO DISCLAIMS ANY AND ALL WARRANTIES, INCLUDING WITHOUT LIMITATION THE IMPLIED WARRANTIES OF MERCHANTABILITY AND FITNESS FOR PARTICULAR PURPOSE. BLUE RHINO SHALL HAVE NO LIABILITY TO ANY PARTY FOR ANY SPECIAL, INDIRECT, PUNITIVE, INCIDENTAL OR CONSEQUENTIAL DAMAGES. Blue Rhino further disclaims any implied or expressed warranties, including for defects in workmanship caused by third parties.

This Limited Warranty gives the purchaser specific rights depending upon where he or she lives. Some jurisdictions may have a limitation of special, incidental or consequential damages. This limitation lasts, so the above exclusion and limitations may apply.

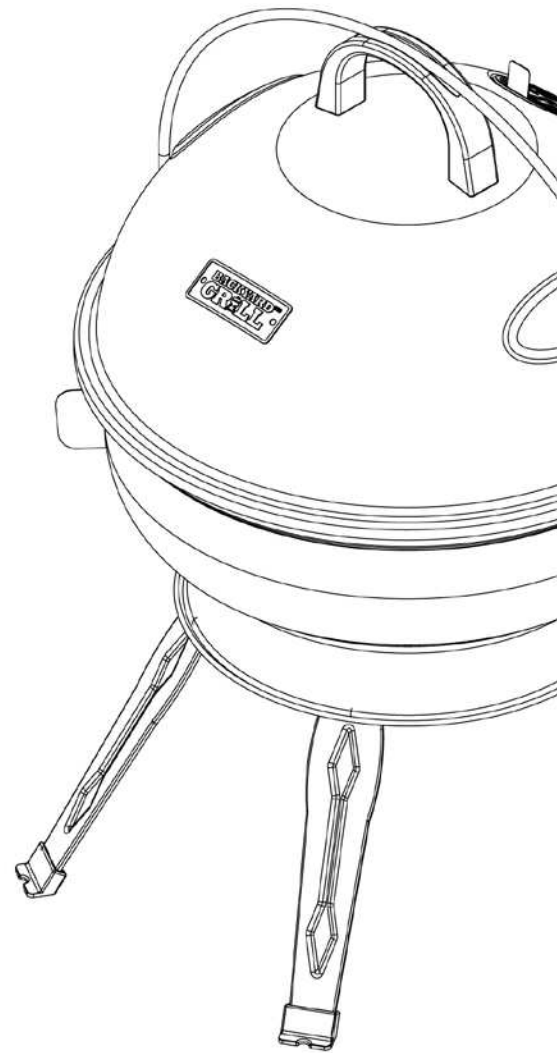
Blue Rhino does not authorize any person or company to make any representation or liability in connection with the sale, installation, use, or maintenance of the equipment, and no such representations are binding on Blue Rhino.

Blue Rhino Global Sourcing, Inc.
Winston-Salem, North Carolina 27105 USA
1.800.762.1142



Barbecue d'extérieur au charbon

Modèle de series n° CBT1302W-C



AVERTISSEMENT

POUR VOTRE SÉCURITÉ:

Pour usage à l'extérieur seulement
(hors de tout abri clos)



AVERTISSEMENT

POUR VOTRE SÉCURITÉ:

1. Toute installation défectueuse ou modification incorrecte ainsi que tout mauvais réglage ou entretien incorrect risque d'entraîner des blessures ou des dégâts matériels.
2. Lire complètement les instructions d'installation, d'utilisation et d'entretien avant de procéder à la maintenance de l'appareil ou à son entretien.
3. Le non-respect de ces consignes risque de provoquer un incendie ou une explosion et entraîner des dégâts matériels, des blessures graves voire la mort.
4. Cette notice contient des renseignements importants permettant un assemblage adéquat et à une utilisation sécuritaire de l'appareil.
5. Lire et suivre toutes les mises en garde et toutes les instructions avant l'assemblage et l'utilisation de l'appareil.

Table des matières

Consignes de sécurité importantes	
Vue éclatée des pièces et quincaillerie	
Instructions d'assemblage	
Fonctionnement	
Nettoyage et entretien	
Enregistrement de l'appareil	
Pièces de rechange	
Garantie limitée	

CE MANUEL D'UTILISATION CONTIENT DE L'INFORMATION IMPORTANTE. VEUILLEZ LIRE ET CONSERVER CE MANUEL AFIN DE POUVOIR LE CONSULTER EN TOUTES OCCASIONS.

Consignes de sécurité importantes

- ▲ **DANGER:** Le non-respect des avis de danger, des mises en garde et des consignes de sécurité de ce manuel risque de provoquer une explosion et d'entraîner des dégâts matériels, des blessures graves voire la mort.
-
- ▲ **MISES EN GARDE :**
 - ▲ Ce barbecue d'extérieur doit être utilisé uniquement à l'extérieur et ne doit PAS être utilisé dans un immeuble, un garage ou tout autre espace clos.
 - ▲ NE PAS utiliser ou allumer cet appareil à moins de 3,05 m (10 pieds) de tout mur, construction ou immeuble.
 - ▲ Pour usage domestique uniquement. Ce barbecue N'est PAS destiné à un usage commercial.
 - ▲ Ne jamais utiliser de charbon de bois ayant été prétraité avec du liquide allume-barbecue. Utiliser uniquement du charbon de bois de haute qualité, un mélange de charbon de bois et de bois, du charbon de bois en blocs ou briquettes ou du bois. Toute tentative de conversion ou d'utilisation de ce barbecue au charbon de bois avec une autre source de combustible est dangereuse et entraînera l'annulation de la garantie.
 - ▲ Ce barbecue n'est pas sensé être utilisé pour se chauffer. Des émanations TOXIQUES peuvent s'accumuler et provoquer l'asphyxie.
 - ▲ NE PAS utiliser le barbecue pour cuisiner à l'intérieur. Des émanations TOXIQUES de monoxyde de carbone peuvent s'accumuler et provoquer l'asphyxie.
 - ▲ Ce barbecue est homologué afin de pouvoir être utilisé en toute sécurité uniquement aux États-Unis et au Canada. NE PAS modifier le barbecue en vue de l'utiliser autre part. Toute modification présentera un danger pour l'utilisateur et entraînera l'annulation de la garantie.
 - ▲ Avis aux personnes habitant en appartements : Vérifier auprès de la gérance pour connaître les conditions requises, la réglementation et le code de prévention des incendies de votre complexe d'habitations collectives. Si permis, utiliser le foyer en le posant au sol en laissant une distance de sécurité de 3,05 m (10 pieds) entre le barbecue et toute structure. NE PAS utiliser sous un balcon.
 - ▲ La distance de sécurité minimum entre le barbecue et toute surface ou structure combustible est de 92 cm (36 po.) sur les côtés et derrière le barbecue. NE PAS utiliser ce barbecue sous un toit ou une structure quelconque suspendue, en saillie ou en surplomb au dessus du barbecue.
 - ▲ NE PAS utiliser d'essence, de pétrole lampant ni d'alcool pour allumer le barbecue.
 - ▲ NE PAS utiliser le barbecue en présence de vapeurs et émanations explosives. Veiller à ce que la zone autour du barbecue demeure dégagée et dépourvue de matières combustibles, d'essence et d'autres liquides et vapeurs inflammables.
 - ▲ NE PAS utiliser ni entreposer d'essence ou de liquides présentant des vapeurs inflammables à moins de 7,62 m (25 pieds) de cet appareil ou de tout autre appareil.
 - ▲ NE PAS boucher les trous situés sur les côtés ou à l'arrière du barbecue.
 - ▲ Vérifier le barbecue avant chaque utilisation.
 - ▲ NE modifier en aucune façon ce barbecue. Toute modification entraînera l'annulation de la garantie.
 - ▲ NE PAS placer ce type de barbecue dans un espace où le barbecue sera encasturé. Le non-respect de cette mise en garde risque de provoquer
 - ▲ NE PAS laisser un barbecue sans surveillance ou des animaux domestiques ou de compagnie à proximité du barbecue.
 - ▲ NE PAS essayer de déplacer le barbecue avant qu'il ne soit refroidi. Le barbecue refroidir avant de le déplacer.
 - ▲ NE PAS laisser le barbecue sans surveillance de préchauffage ni après la cuisson pour la préparation de nourriture.
 - ▲ Lors de la cuisson, conserver toujours des matières capables d'éteindre le feu. NE PAS tenter d'éteindre le feu avec de la poudre BC ou étouffer le feu avec de la laine de verre ou de la laine de soude.
 - ▲ Veiller à toujours ouvrir lentement et avec précaution le couvercle du barbecue de sorte que la chaleur et les vapeurs ne provoquent de graves brûlures.
 - ▲ Si le barbecue n'est pas nettoyé, un feu de couvercle peut se déclencher et endommager le barbecue.
 - ▲ NE PAS placer de récipient vide sur le barbecue.
 - ▲ Faire preuve de précautions au moment de nettoyer le barbecue lorsqu'il est allumé.
 - ▲ Ne jamais ajouter de liquide allume-barbecue, de charbon de bois brûlantes ou même tiède au barbecue. Cela peut provoquer une flambée soudaine et entraîner des blessures graves et des dégâts matériels.
 - ▲ Placer toujours le barbecue sur une surface non combustible. Il est déconseillé de le placer sur du bois ou du bitume.
 - ▲ NE PAS enlever les cendres avant qu'elles ne soient totalement éteintes.
 - ▲ Les briquettes chaudes et les morceaux de charbon de bois peuvent provoquer un incendie.
 - ▲ Veiller à toujours vider le cendrier et le nettoyer après chaque utilisation.
 - ▲ NE PAS placer de combustible (briquettes ou morceaux de charbon de bois) directement dans le cendrier. Placer le combustible uniquement sur le plateau de cuisson ou sur des morceaux de bois.
 - ▲ NE PAS laisser le charbon de bois reposer dans le cendrier. Ceci risque de réduire la durée de vie du barbecue.
 - ▲ S'assurer que les volets d'aération ne sont pas fermés avant d'enlever la cendre avant d'utiliser le barbecue.
 - ▲ Les morceaux de charbon de bois éteints doivent être placés à une distance sécuritaire de tout combustible.
 - ▲ À l'aide d'un tuyau d'arrosage, mouiller la zone de cuisson située en-dessous et autour du barbecue.

**Pour recettes, voir
BlueRhino.com/recipes**

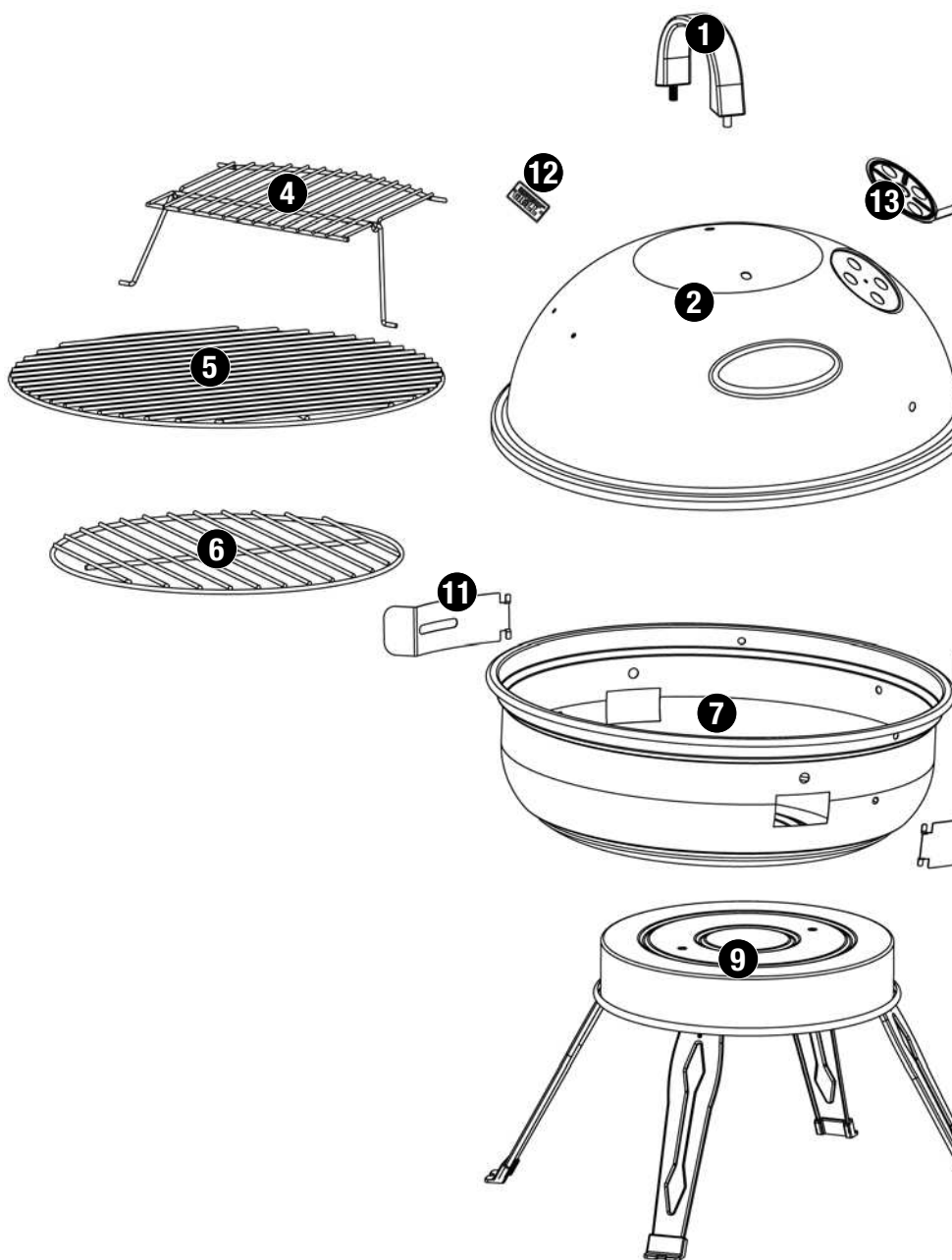
**Vous avez besoin d'aide?
Appelez le 1.800.762.1142.
Ne retournez pas au point de vente.**

**Pour pièces
parts.Bl
1.800**

Liste des pièces

1	Poignée du couvercle	55-09-052
2	Couvercle	55-11-206 (WB-C) 55-11-535 (WBRS-C)
3	Charnière supérieure	55-09-055
4	Grille de réchauffage	55-11-360
5	Grille de cuisson	55-09-056
6	Grille à charbon de bois	55-09-057
7	Cuve	55-09-058
8	Charnière inférieure	55-09-059
9	Socle	55-09-061
10	Anse métallique	55-09-060
11	Volet d'aération de la cuve (2)	55-09-377
12	Plaque de la marque	55-22-270
13	Volet d'aération du couvercle	55-08-454

Vue éclatée



Instructions d'assemblage

1

NE PAS RETOURNER AU MAGASIN AVEC CET ARTICLE.

Pour toute assistance technique, appelez le numéro sans frais **1.800.762.1142**. Faites en sorte que votre manuel d'utilisation et le modèle numéro soient à portée de main afin de pouvoir vous y référer.

Pour faciliter l'assemblage:

1. Choisissez l'endroit où vous comptez assembler cet article. Pour éviter de perdre des petites pièces ou la quincaillerie d'installation, assemblez cet article sur une surface plane et lisse qui ne comporte pas de trous ni de fissures.
2. Étalez toutes les pièces et la quincaillerie d'installation.
3. Serrez à la main toute les fixations et la visserie en premier. Une fois l'étape terminée, serrez-les complètement en veillant à ne pas trop les serrer afin d'éviter d'endommager la surface de l'appareil et de fausser le filetage.
4. Suivez toutes les étapes dans l'ordre afin d'assembler correctement cet article.

Pour effectuer l'assemblage, vous aurez besoin des choses suivantes:

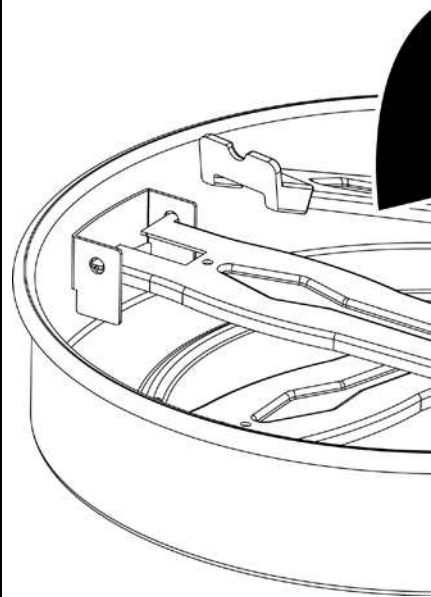
- un (1) sac de charbon de bois (non fournis)

Temps d'assemblage : environ 15 minutes.

2

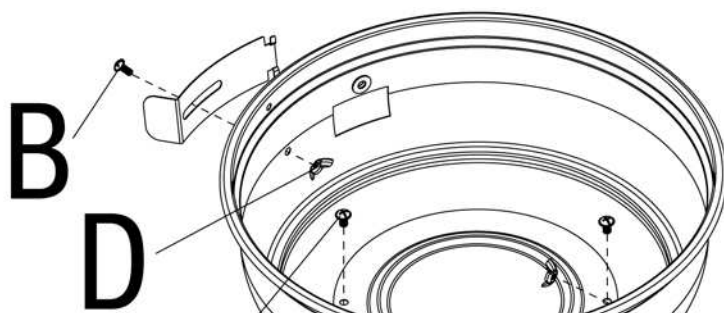
Déplier les pieds

Remarque: Veillez à toujours ouvrir complètement le couvercle avant de procéder à l'allumage.



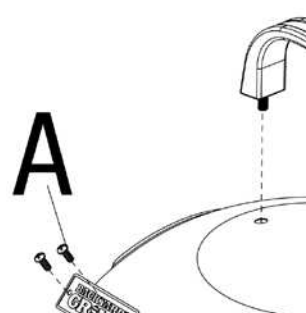
3

Fixer la cuve et les volets d'aération de la cuve



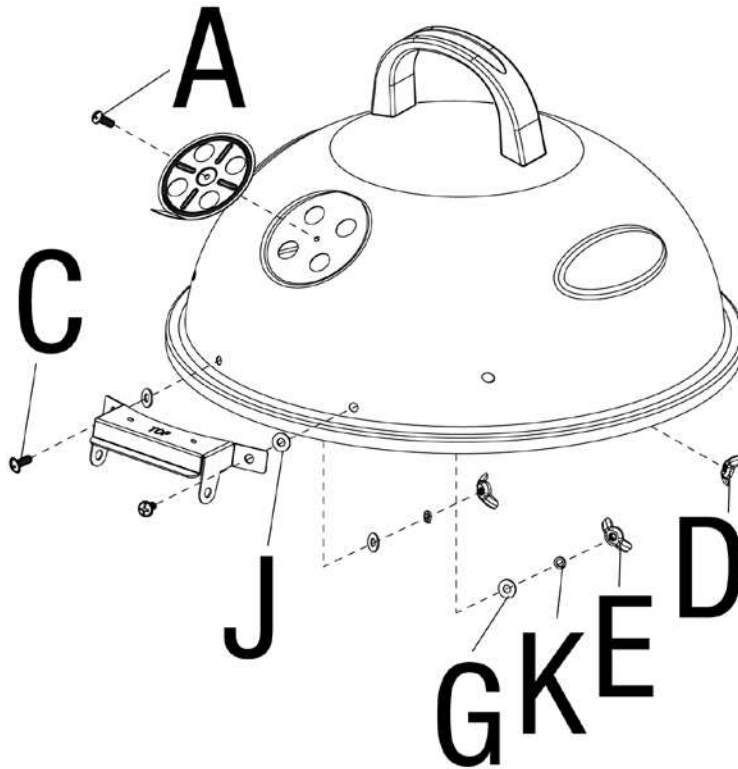
4

Fixer la poignée du couvercle



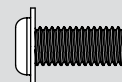
5

Fixer la charnière supérieure et le volet d'aération du couvercle



A  x1

G  x2

C  x2

J  x2

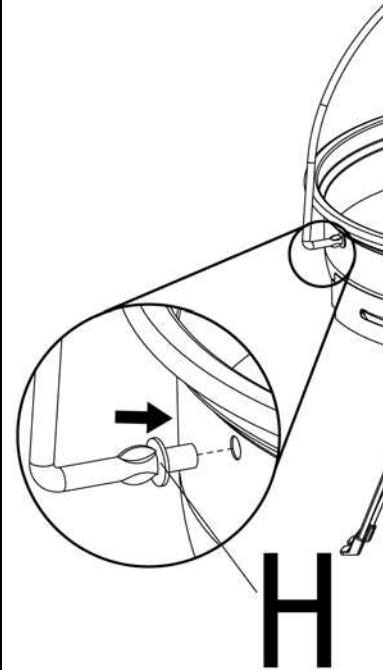
D  x1

K  x2

E  x2

6

Fixer l'anse métallique



H  x2

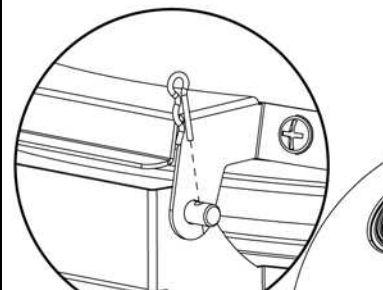
7

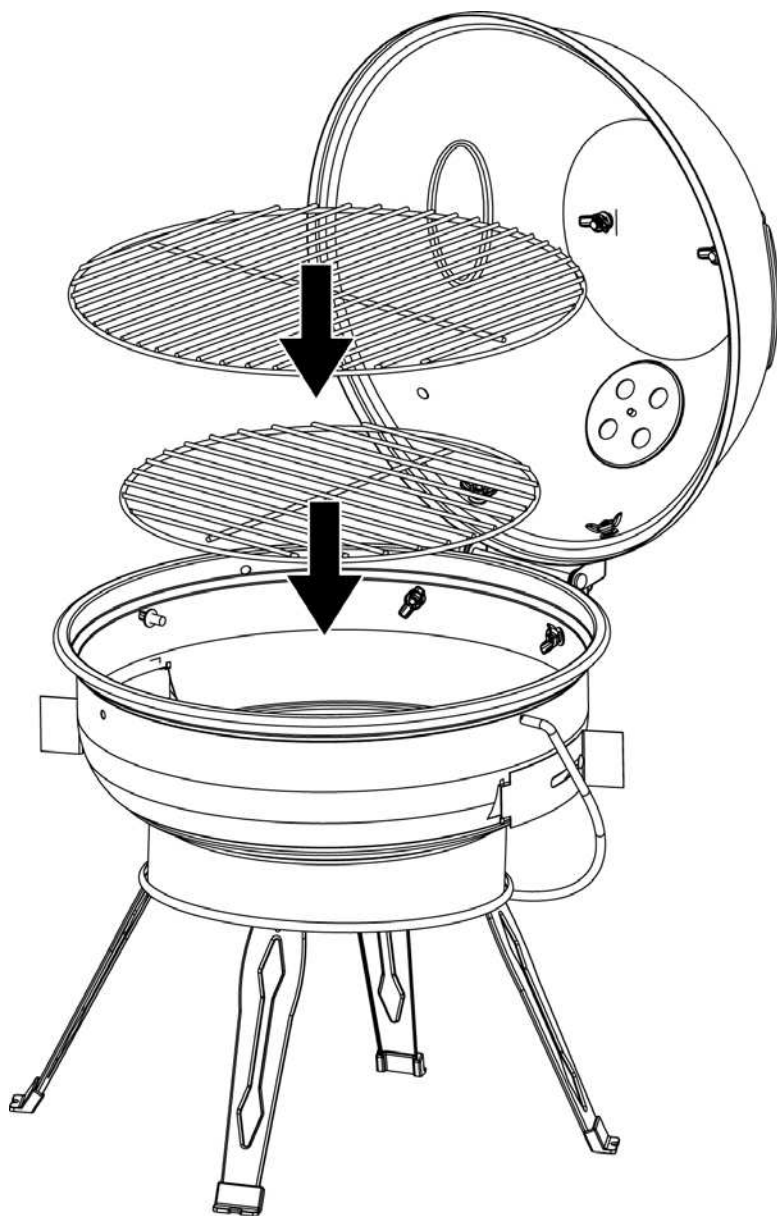
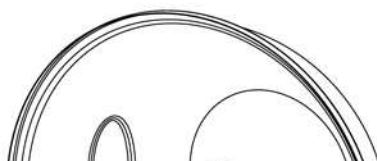
Fixer la charnière inférieure



8

Fixer le couvercle



Instructions d'assemblage (suite)
9
Placer la grille à charbon de bois et la grille de cuisson

10
Placer la grille de réchauffage

Fonctionnement

⚠ ATTENTION : Ne jamais utiliser de charbon avec du liquide allume-barbecue. Utilisez du bois de haute qualité, un mélange de charbon de bois en blocs ou briquettes.

Utiliser le barbecue pour la première fois

1. Assurez-vous d'avoir retiré toutes les étiquettes et le film protecteur du barbecue.
2. Avant de cuire quoi que ce soit sur le barbecue, laissez le barbecue pendant environ 15 minutes avec le couvercle ouvert. Ceci « nettoiera » les pièces internes et dissipera les odeurs.

Allumer le barbecue

- ⚠ ATTENTION :** Veiller à ce que la zone de cuisson d'extérieur demeure dégagée de tout combustible, d'essence et d'autres produits inflammables.
- ⚠ ATTENTION :** S'assurer que les volets de ventilation sont fermés et débarrassés de débris ni de cendre avant d'utiliser le barbecue.
- ⚠ ATTENTION :** Toute tentative d'allumage avec un allume-barbecue peut provoquer une explosion!
- ⚠ ATTENTION :** Lorsque vous utilisez du charbon, vérifiez toujours la cuve avant d'allumer le barbecue. Les débris peuvent s'accumuler dans la cuve et provoquer un incendie.
- ⚠ ATTENTION :** Ne jamais ajouter de liquide à des briquettes de charbon de bois brûlant. Ceci peut provoquer une flambée soudaine, des blessures graves ou des dégâts matériels.
- ⚠ ATTENTION :** Assurez-vous de toujours fermer le couvercle et sécurisées en place avant d'ouvrir le couvercle ou d'allumer le barbecue.

1. Ouvrez le couvercle et les volets d'aération.
2. Assurez-vous que la cuve est vide.
3. Retirez la grille de cuisson.
4. Disposez les briquettes de charbon de bois ou le combustible dans le fond de la cuve jusqu'à la ligne "Fill Line" (ligne de remplissage). Voir illustration.
5. Allumez le combustible en suivant les instructions figurant sur le sac d'emballage.
6. Laissez le combustible se transformer en charbon chaud recouvert de cendres avant la cuisson.

Éteindre le barbecue

1. Laissez le charbon de bois s'éteindre complètement.
- ⚠ AVERTISSEMENT :** NE PAS utiliser d'eau sur le charbon chaud. Ceci peut s'avérer dangereux et risquer de provoquer des blessures et des dégâts matériels.
2. Jetez les cendres dans un endroit adéquat conformément aux instructions.

Éliminer les flambées soudaines:

- ⚠ ATTENTION:** Ne pas utiliser d'eau sur le barbecue. Ceci peut provoquer des blessures et autres dégâts matériels.
- ⚠ ATTENTION:** Ne pas laisser le barbecue sans surveillance.

Nettoyage et entretien

⚠ ATTENTION:

1. **Tout nettoyage ou entretien doit être effectué lorsque le barbecue est froid et après avoir retiré la matière combustible.**
2. **NE placer aucune pièce du barbecue dans un four autonettoyant. La chaleur extrême endommagera le fini du barbecue.**

Avis

1. **Ce barbecue doit être vérifié et nettoyé en entier régulièrement.**
2. **N'utilisez pas de produits de nettoyage abrasifs car ils risquent d'endommager le barbecue.**
3. **N'utilisez jamais de produit à nettoyer les fours sur une pièce quelle qu'elle soit du barbecue.**

Avant chaque utilisation:

1. Assurez-vous que la zone autour du barbecue demeure dégagée et dépourvue de matières combustibles, d'essence et d'autres liquides et vapeurs inflammables.
2. Reportez-vous aux paragraphes ci-dessous pour les instructions de nettoyage.

Nettoyage des surfaces du barbecue

1. Attendez que le barbecue ait complètement refroidi.
2. Essuyez les surfaces du barbecue avec un liquide à vaisselle doux ou du bicarbonate de soude mélangé avec de l'eau.
3. Pour les tâches coriaces, utilisez un dégraissant au citron et une brosse de nettoyage en nylon.
4. Rincez à l'eau.
5. Laissez le barbecue sécher à l'air libre.

Avant le remisage

1. Attendez que le barbecue ait complètement refroidi.
2. Nettoyez toutes les surfaces.
3. Si vous comptez entreposer le barbecue à l'intérieur, recouvrez le barbecue avec une housse et placez-le dans un endroit frais et sec.
4. Si vous comptez entreposer le barbecue à l'extérieur, recouvrez le barbecue avec une housse pour le protéger des intempéries.

Enregistrement de l'appareil

Pour bénéficier plus rapidement du service offert par la garantie, veuillez enregistrer cet article immédiatement sur le site internet BlueRhino.com/Warranty ou appelez le 1.800.762.1142.

Pièces de rechange

Vous trouverez toutes les pièces de rechange nécessaires sur le site web parts.bluerhino.com ou appelez le 1.800.762.1142.

Garantie limitée

La société Blue Rhino Global Sourcing, Inc. (« Blue Rhino ») vend ce barbecue à l'acheteur au détail et à aucune autre personne, pendant un (1) an à partir de la date d'achat si vous suivez strictement les instructions aux instructions fournies. Blue Rhino vous demande de conserver votre facture d'achat datée, veuillez donc conserver votre facture. Cette garantie limitée se limitera à la réparation ou au remplacement de pièces défectueuses par Blue Rhino lors de conditions d'utilisation et d'entretien appropriées. Si Blue Rhino contacte le service à la clientèle de Blue Rhino et approuve la réclamation, ce dernier remplacera ou réparera les pièces défectueuses, les pièces défectueuses renvoyées ou s'engage à renvoyer les pièces à l'acheteur pour réparation.

Cette garantie limitée ne couvre pas les dommages causés par un accident, mauvais usage, entretien incorrect de l'appareil, installation ou négligence comme il a été établi dans les instructions. Cette garantie ne couvre pas les dommages au fini, à savoir le rouille ou les dommages résultant des intempéries.

Cette garantie remplace toute autre garantie expresse ou implicite, y compris toute garantie de distributeurs agréés y compris toute garantie de fabricant. BLUE RHINO DÉCLINE ÉGALEMENT TOUTE GARANTIE DE COMMERCIALISABILITÉ ET D'ADAPTATION À UN USAGE PARTICULIER. BLUE RHINO NE POURRA ÊTRE TENU RESPONSABLE PAR L'ACHETEUR POUR LES DOMMAGES PARTICULIERS, INDIRECTS, PUNITIFS, PÉNAUX, DÉPENSÉS, DÉSAVOUE toute garantie expresse ou implicite et toute garantie de fabrication causés par un tiers.

Cette garantie limitée octroie des droits spécifiques. Cette garantie limitée n'est possible que ce dernier en possède d'autres. Cette garantie ne permet pas l'exclusion ni la limitation de dommages, de limitation en temps d'une garantie et ces limitations.

Blue Rhino ne permet en aucun cas à une personne de transférer ses responsabilités et les obligations liées à la vente de ce barbecue. Le remplacement de cet article, et aucune de ces limitations, ne sont pas garantis par Blue Rhino.

Blue Rhino Global Sourcing, Inc.
Winston-Salem, North Carolina 27105, États-Unis
(800)-762-1142

