

This Owner's Manual is provided and hosted by [Appliance Factory Parts](#).



# GENERAL RS15P Owner's Manual

[Shop genuine replacement parts for GENERAL RS15P](#)



Appliance Factory Parts  
<http://www.appliancefactoryparts.com>

[Find Your GENERAL Humidifier Parts - Select From 70 Models](#)

----- Manual continues below -----

# **Model Elite Steam Humidifiers**

## **User Manual**

### ***Manual d'utilisation***

---

**Read and Save These Instructions**  
***Lire et Conserver Ces Instructions***

---



Revision 4.0

---

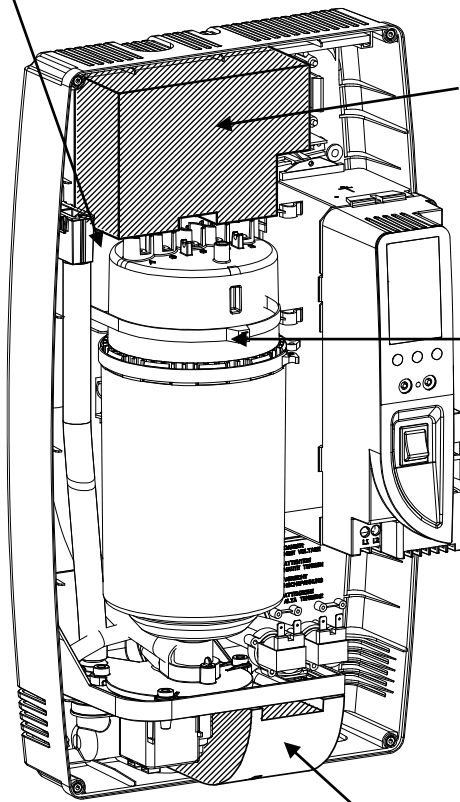
*Manufacturers of Whole House Residential Indoor Air Quality Products.*  
*Humidifiers - Dehumidifiers - Air Cleaners - UV Air Purifiers - Heat/Energy Recovery Ventilators*  
[www.generalfilters.com](http://www.generalfilters.com)



# Warning

If present, remove the following items:

LATCH THE CYLINDER CLAMP

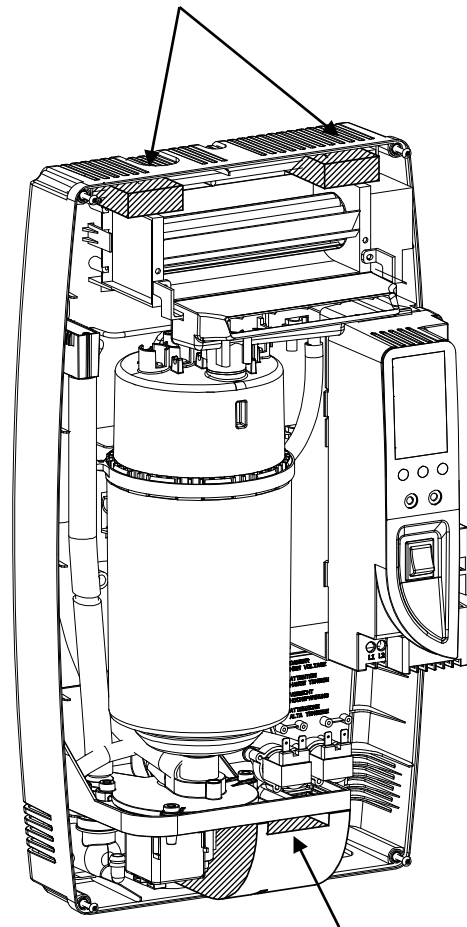


REMOVE BEFORE INSTALLING

REMOVE BEFORE INSTALLING

REMOVE BEFORE INSTALLING

REMOVE BEFORE INSTALLING



REMOVE BEFORE INSTALLING

# IMPORTANT WARNINGS

We wish to save you time and money!  
We can assure you that the thorough reading of this manual will guarantee correct installation and safe use of the product described.



**BEFORE INSTALLING OR HANDLING THE HUMIDIFIER PLEASE CAREFULLY READ AND FOLLOW THE INSTRUCTIONS AND SAFETY STANDARDS DESCRIBED IN THIS MANUAL AND ON THE LABELS ATTACHED TO THE *Elite Steam*.**

**CAUTION: ALWAYS DISCONNECT THE MAIN POWER BEFORE OPENING OR SERVICING THE HUMIDIFIER!**

**Elite Steam** produces non-pressurized steam by means of electrodes immersed in the water contained in the plastic steam generator cylinder. Electric current passes through the water between the electrodes, heating the water into steam, which is then used to humidify the air.

The quality of the water used affects the operation of this unit, so the Elite Steam may be supplied with untreated water, as long as this is drinkable and not softened or demineralized. The water converted into steam is automatically replaced through an electric fill valve. Periodically, based on the water quality, the unit will also drain some water to dilute the build-up of minerals in the steam generator. In cases of high water mineral content, an activated carbon filter in series with a particulate filter, no more than 5 microns is suggested.

This humidifier has been designed exclusively to directly humidify rooms or ducts, using a distribution system. The installation, use and maintenance operations must be carried out according to the instructions contained in this manual and on the labels applied internally and externally.

**IMPORTANT: BEFORE beginning installation:**

- Check for shipping damage to cartons. Mark the shipping waybill accordingly.
- Open cartons and check for any hidden damage. Mark the shipping waybill accordingly.
- Check packing slip to ensure all items have been received. Notify GENERAL FILTERS, INC. of any shortages or damaged parts. **You must notify General Filters, Inc. within 5 working days of any shortages.**

**CAUTION: ELECTRIC SHOCK HAZARD! The humidifier has components under power inside!**

**CAUTION: SCALDING HAZARD! The humidifier has hot parts (100°C/ 212°F)**

**WARNING: Install the humidifier out of the reach of children.**

**The humidifier must be installed in accordance with all local and national standards.**

**All service and/or maintenance operations must be performed by qualified personnel who are aware of the necessary precautions and are capable of performing the operations correctly.**

**Disconnect the humidifier from the main power supply before accessing any internal parts.**

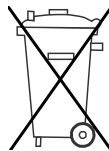
**The conditions of the environment and the power supply voltage must comply with the specified values listed on the data label in the humidifier.**

**All other uses and modifications made to the humidifier that are not authorized by the manufacturer are considered incorrect, and the manufacturer assumes no liability for the consequences of any such unauthorized use.**

**Please note that the humidifier contains powered electrical devices and hot surfaces.**

**The humidifier is made of metallic and plastic parts. All parts must be disposed of according to the local and national standards for waste disposal.**

**WARNING: Your humidifier requires water to operate. Do NOT mount it above materials or machinery that could be damaged if a leak occurs. General Filters, Inc. assumes no responsibility for consequential or inconsequential damage as a result of any leaks.**



**Disposal of the parts of the humidifier: the humidifier is made up of metallic and plastic parts. All parts must be disposed of according to the local standards on waste disposal.**

# CONTENTS

<b>1.</b>	<b>HOW THE ELITE STEAM WORKS</b>	<b>4</b>
1.1	BASIC OPERATION	4
1.2	CYLINDER LIFE	5
1.3	CALCULATING HUMIDITY LOAD	5
<b>2.</b>	<b>MODELS</b>	<b>6</b>
<b>3.</b>	<b>INSTALLATION</b>	<b>7</b>
3.1	POSITIONING	7
3.2	MOUNTING	7
3.3	PLUMBING	9
3.4	STEAM DISTRIBUTION	10
3.5	POWER WIRING	13
3.6	CONTROL WIRING	13
3.7	WIRING CONNECTIONS:	15
<b>4.</b>	<b>START-UP</b>	<b>16</b>
4.1	STARTUP CHECKLIST	16
4.2	THE ELITE STEAM CONTROLLER	16
4.3	STARTING ELITE STEAM	16
4.4	STARTING WITH A NEW CYLINDER	16
<b>5.</b>	<b>OPERATING ELITE STEAM</b>	<b>17</b>
5.1	DISPLAYING INFORMATION	17
5.2	CHANGING THE MAXIMUM PRODUCTION	17
5.3	ACTIVATING MANUAL DRAIN	17
5.4	RESETTING THE HOUR COUNTER	17
5.5	USING THE GFX3 HUMIDISTAT	18
5.6	ALARMS	18
<b>6.</b>	<b>TROUBLE SHOOTING</b>	<b>19</b>
<b>7.</b>	<b>MAINTENANCE</b>	<b>20</b>
7.1	PERIODIC CHECKS	20
7.2	CYLINDER MAINTENANCE	20
7.3	REPLACEMENT PARTS	21
<b>8.</b>	<b>TECHNICAL SPECIFICATIONS</b>	<b>22</b>
<b>9.</b>	<b>LIMITED WARRANTY</b>	<b>23</b>

# 1. HOW THE ELITE STEAM WORKS

## 1.1 Basic Operation

*Elite Steam* is an electrode humidifier. It produces steam for humidification by passing electric current through the water between metal electrodes in the plastic steam generator cylinder. There are no heating elements. Steam output is directly proportional to the conductivity of the water, and the amount of electrode immersed in the water.

On a call for humidity, the *Elite Steam* controller will open the water fill valve (1) and allow water to enter the cylinder. A flow restrictor (4) prevents the unit from filling too quickly or with too much pressure. The water flows up the fill tube (2) and into the fill cup (3). Water then flows over the dam in the fill cup (3), which creates a 1" air gap to prevent backflow of contaminated water into the feed lines, and through the fill tube (6) and into the bottom of the steam cylinder (5). Any backflow or overflow of water travels through the overflow hose (13) to the drain.

As the water fills the cylinder, it will reach the electrodes (7) and current will begin to flow. As the water continues to fill the cylinder, the current will increase, and this is monitored by an amperage transformer connected to one of the power wires and located on the electronic controller. When the desired current is reached, the fill valve will close (1) and the water will then begin to warm and produce steam. If the water reaches the cylinder full probes (9) or if current rises too much, the drain pump (11) will be activated to drain away some water and reduce the current flow to acceptable levels. Note that, any time the drain pump is activated, the tempering valve (10) will be opened for tempering the hot drained water down to 140 degrees F / 60 degrees C in accordance to local and national standards.

Periodically, based on the incoming water conductivity, the unit will run drain pump (11) and drain some water to reduce the mineral concentration. Every 120 hours the unit automatically drains to remove mineral sediment on the bottom of the cylinder. A strainer (12) in the cylinder helps to prevent mineral debris from jamming the drain pump (11). In case *Elite Steam* remains powered but idle, i.e. without producing steam, for more than 72 hours (3 days), the cylinder will be emptied to not have stagnant water inside.

If there is no water in the cylinder, there will be no current flow and no steam production. The electrodes do not burn out, but they will eventually become completely coated with mineral and the cylinder will then need to be replaced. Cleaning cylinders may cause electrode damage, therefore voiding its warranty. See 7.2.2 maintenance section on page 21.

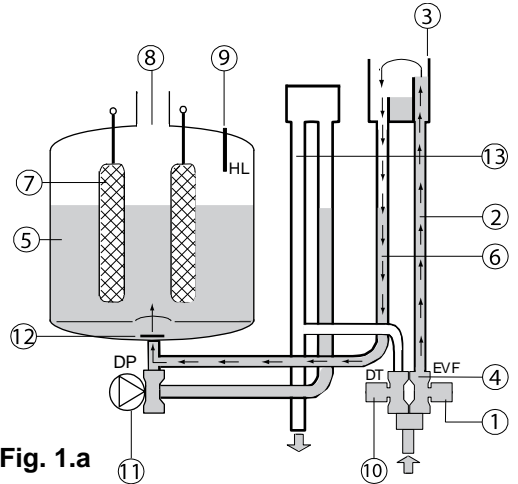


Fig. 1.a

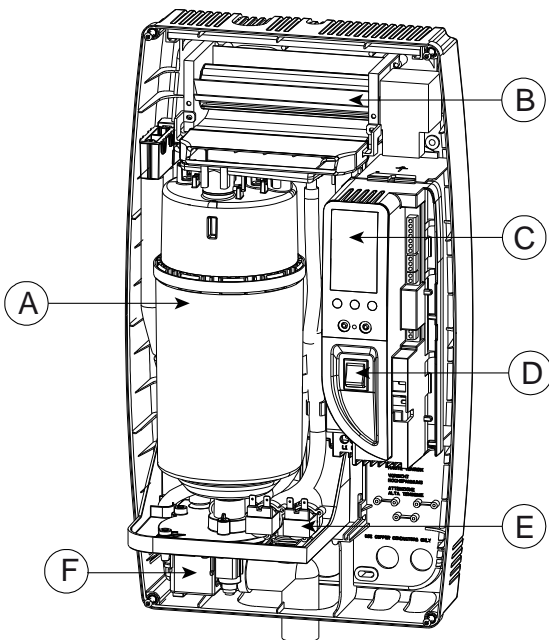


Fig. 1.b

No.	Description
A	Steam generator cylinder
B	Room blower/manifold (optional)
C	User interface/display
D	On/Off, SET buttons
E	Fill & tempering valves
F	Drain pump

## 1.2 Cylinder Life

### 1.2.1 Basics of the Steam Cylinder

The Steam Cylinder is the engine of the humidifier. As the humidifier operates water is evaporated and minerals are left behind. Much of these minerals are removed through the cylinder drain. Some are deposited on the walls of the cylinder and the cylinder electrodes. When a lower section of the electrodes develop a thick coating, the water level is raised to expose clean electrode surface. Eventually minerals cover the electrodes' entire length with a thick coating and little electrical current can pass between them resulting in poor steam output. The humidifier can sense the low amperage and will display the E6 Cylinder Exhausted error code. There are several factors that influence cylinder life.

### 1.2.2 Water

Characteristics of water influence cylinder life and can vary greatly from place to place. Total mineral content of the water is important. Equally important is what minerals are present in the water. Most water conditions result in flaky scale that eventually fills the bottom of the cylinder until it can no longer function. Water with high silica content can result in a thin glass-like coating on the electrodes that is highly insulating resulting in shorter cylinder life. **Only cold water is to be used. Water conductivity that is not matched to the correct cylinder will shorten cylinder life.**

### 1.2.3 Water Filtration

Typically additional filtration of the incoming water supply is not necessary. If, however, mineral content is known to reduce cylinder life excessively or if cylinder life proves insufficient then water filtration can be added. In most cases the addition of a two element water filter can improve cylinder life. The filter should contain an activated carbon element and a particulate filter element rated for 5 microns or less. Micron is a size measurement. The filter system should have a flow rate of at least 2 GPM. The activated carbon will absorb much of the mineral content while the particulate filter will catch any granular material or sediment. It is important to remember that the increase in cylinder life will be accompanied by the need to replace filter elements with each cylinder change.

### 1.2.4 Humidity Load and Cylinder Life

Humidity load demands have an effect on cylinder life. Normal installations where humidity capacity is properly sized require only intermittent periods where full humidifier capacity is required. This allows the water level in the cylinder to be increased only as electrode segments become insulated. This tends to maximize cylinder life.

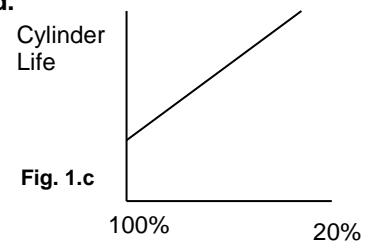
**Extraordinary installations that require constant operation at full capacity reduce cylinder life.** The water level in the cylinder is, on average, much higher, and the electrodes become completely insulated more quickly. Installations like this may result in cylinder life of less than 1000 hours.

**The importance of providing adequate humidifier capacity should not be underestimated.**

### 1.2.5 Maximum Production

Another factor affecting cylinder life is the maximum production setting. A higher production rate will result in a shorter cylinder life. For this reason DS-25 and RS-25 units are preset from the factory at 70%. Further reductions in Maximum Production will extend cylinder life.

See Figure 1.c.



### 1.2.6 Structures Under Construction

In high end construction projects, humidification is often required while the structure is being finished. Humidification is necessary to protect and stabilize wood floors, trim and decoration. Humidification load, however, in an unfinished structure may be five to eight times higher than when finished. Elite Steam humidifiers may be operated while construction is underway but, reduced cylinder life is to be expected and budgeted for. **Good practice dictates that the steam cylinders also be replaced once the project is complete.**

## 1.3 Calculating Humidity Load

### 1.3.1 Steps to Determine Humidity Load

Total Square Footage  
 x Average Ceiling Height  
 x Factor From Table 1.2  
x 1.05 for each Fireplace  
 Humidity Load in lbs./hour  
 x 2.88 convert to gallons/day  
 Gallons per Day Humidity Load

Table 1.2 Pounds of Moisture / Hour / Cubic Foot \*

Indoor Air Temp °F	Indoor RH%			
	35%	40%	45%	50%
68	0.00015	0.00018	0.00021	0.00024
70	0.00017	0.00020	0.00023	0.00026
72	0.00019	0.00022	0.00025	0.00028

\* Based on .5 air changes per hour.

\*Based on .5 air changes per hour.

## 2. MODELS

There are two basic models available in two voltages. **Duct models require selection of an additional kit.**

Duct Steam Injection



Fig. 2.a

Room Steam Discharge



Fig. 2.b

### MODEL LIST

PART NUMBER	DESCRIPTION	PARTS INCLUDED
RS 15P Fig. 2.b	Room steam discharge, 15 gallons per day (5.5 Lbs per hour) 115-120v	Complete Humidifier. GFX3 humidistat, code valve, water fill connector, water supply tubing
RS 25 Fig. 2.b	Room steam discharge, 35 gallons per day (12 Lbs per hour) 220-240v	Complete Humidifier. GFX3 humidistat, code valve, water fill connector, water supply tubing
DS 15P Fig. 2.a	Duct steam injection 15 gallons Humidifier only, Kit selection required per day (5.5 Lbs per hour) 115-120v	Humidifier only, <b>Kit selection required</b>
DS 25 Fig. 2.a	Duct steam injection 35 gallons per day (12 Lbs per hour) 220-240v	Humidifier only, <b>Kit selection required</b>
DMNKIT (not shown)	Duct mount kit	8 ft. steam hose, nozzle, GFX3 humidistat, code valve, water fill connector, condensate hose, water supply tubing, air proving pressure switch.
RMB 15 (not shown)	Remote mount blower kit for DS 15	12 ft. steam hose, GFX3 humidistat, code valve, condensate hose, water fill connector, water supply tubing, and thru-the wall sleeve with 120v blower and grille pkg.
RMB 35 (not shown)	Remote mount blower kit for DS 25	12 ft. steam hose, GFX3 humidistat, code valve, condensate hose, water fill connector, water supply tubing, and thru-the wall sleeve with 240v blower and grille pkg.
EDMK4 (not shown)	Economy Duct mount kit	4 ft. steam hose, nozzle, 5 ft. condensate hose, fill connector, air proving pressure switch (Humidistat not included)

# 3. INSTALLATION

## 3.1 Positioning

The **Elite Steam** has been designed for wall mounting and, since it is an atmospheric steam humidifier, should be placed close to the point where the steam will be used, to minimize the steam hose length (and the amount of condensate). **Certain clearances must be maintained around the unit for safety and maintenance.**

## 3.2 Mounting

### 3.2.1 Removing the front cover

The front cover is secured by four screws located at the four corners of the unit. Use a Phillips head screwdriver to remove the four cover screws. Then simply pull the front cover away from the back part of the unit. Return it in reverse order.

Be careful not to over-tighten the screws.

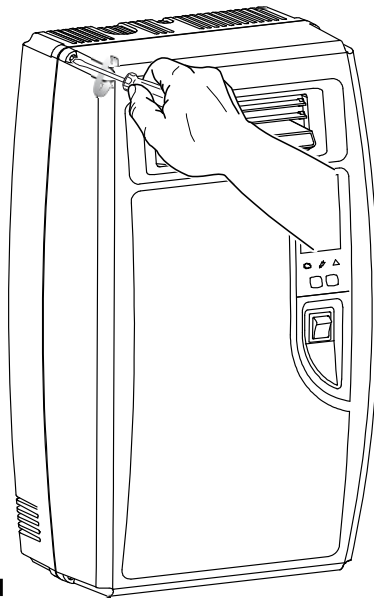


Fig. 3.d

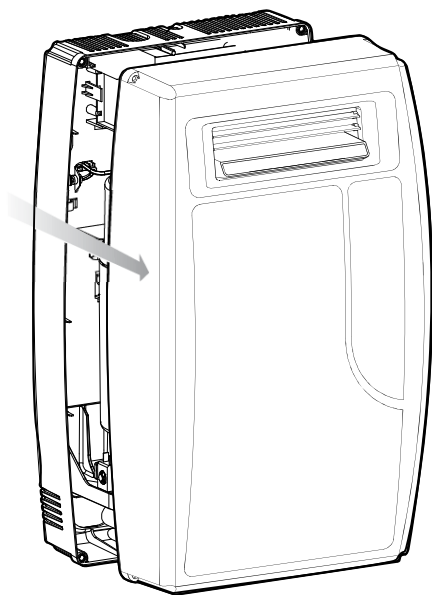


Fig. 3.e

### Duct Steam Injection

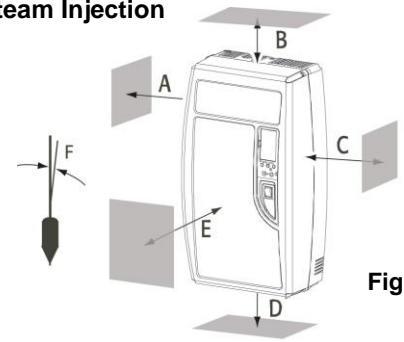


Fig. 3.a

	Millimeters	Inch
A	(150 mm)	6"
B	(150 mm)	6"
C	(150mm)	6"
D	(150 mm)	6"
E	(600 mm)	24"
F	max. 0.2°	

Tab. 3.a

### Room Steam Discharge

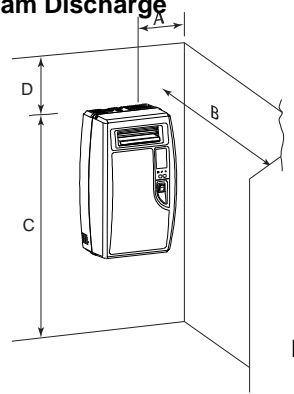


Fig. 3.b

	Millimeters	Inch
A	150 mm	6"
B	1800 mm	72"
C	1800mm	72"
D	600 mm	24"

Tab. 3.b

### Unit Dimensions: Duct and Room Units

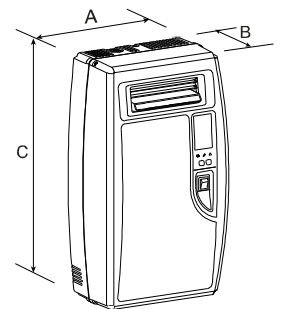


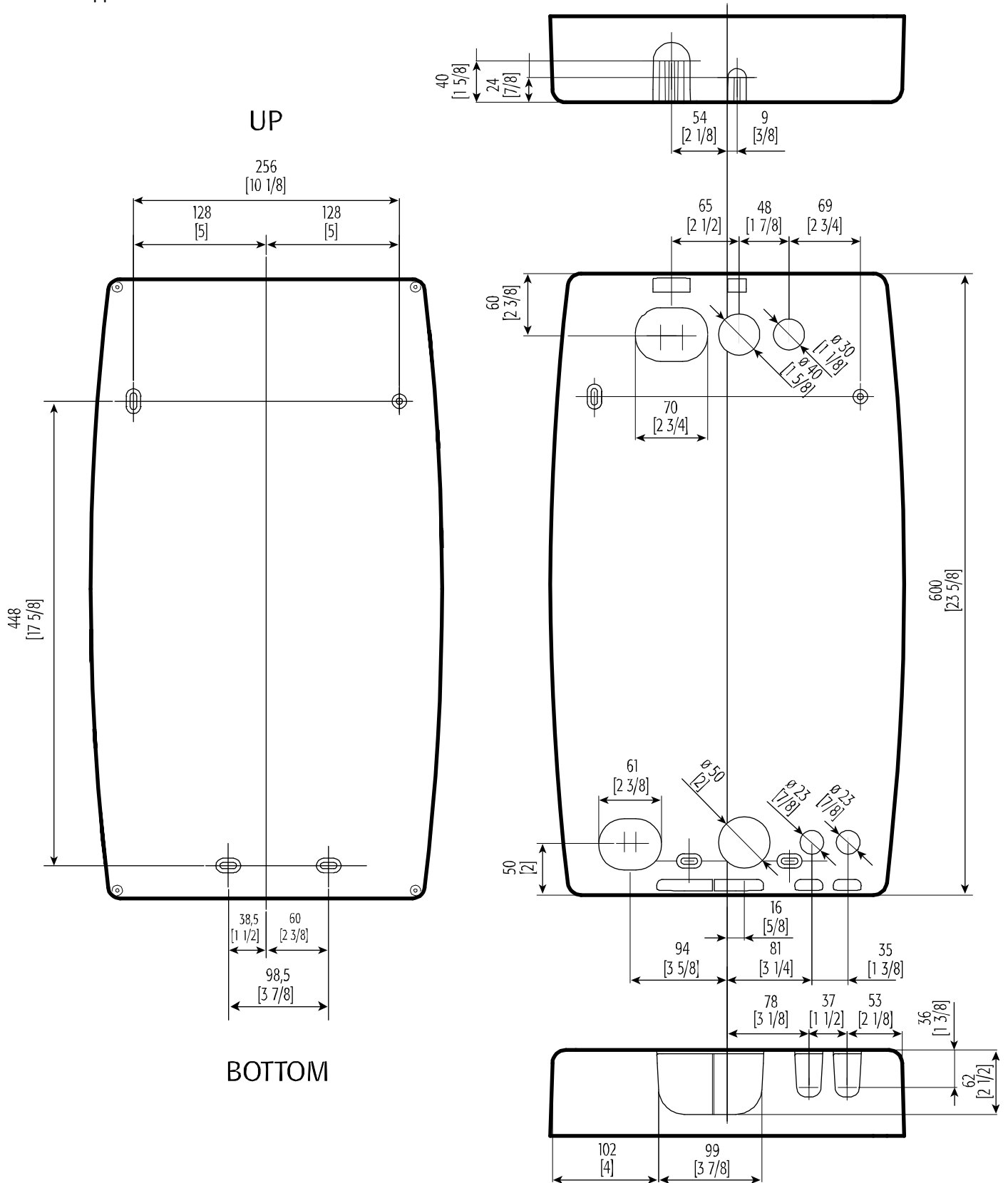
Fig. 3.c

	Millimeters	Inch
A	341 mm	13.5"
B	204 mm	8.1"
C	600 mm	23.7"
	Kilograms	Pounds
Weight empty	8kg	18 lbs
Weight packaged	10kg	22 lbs
Weight installed with water	12kg	26 lbs

Tab. 3.c

**Fastening to the wall**

Drill the wall according to the drilling template supplied; then secure Elite Steam firmly to the wall using the screws and anchors supplied.



**Fig. 3.f**

### 3.3 Plumbing

#### 3.3.1 Water Characteristic Requirements

The humidifier must be supplied with water with the following characteristics:

- pressure between 20psi and 110psi or 0.1 and 0.8 MPa (1 and 8 bar)
- temperature between 33°F and 104°F or 1°C and 40°C
- flow-rate minimum of 0.45 L/min or 0.21gpm
- hardness no greater than 40°FH (equal to 400 ppm<sup>3</sup> of CaCO<sub>3</sub>), conductivity: from 125 to 1250 µS/cm
- absence of organic compounds
- the characteristics of the water of supply must fall within the following limits:

#### LIMIT VALUES FOR LOW SALT CONTENT WATER

	Units	Min	Max
Hydrogen ions (pH)		7	8.5
Specific conductivity (R,20°C)	µS/cm	300	
Total dissolved solids (c R)	mg/l	(*)	(*)
Dry residue at 180°C	mg/l	(*)	(*)
Total hardness	mg/l CaC <sub>3</sub> O	150	400
Temporary hardness	mg/l CaC <sub>3</sub> O	=	200
Iron + Manganese	mg/l Fe + Mn	=	0.2
Chlorides	ppm Cl	=	30
Chlorides	mg/Si <sub>2</sub> O	=	20
Chlorine residue	mg/l Cl <sup>-</sup>	=	0.2
Calcium sulphate	mg/l CaS <sub>4</sub> O	=	100

Tab.3.d

#### LIMIT VALUES FOR LOW NORMAL WATER

	Units	Min	Max
Hydrogen ions (pH)		7	8.5
Specific conductivity (R,20°C)	µS/cm	125	500
Total dissolved solids (c R)	mg/l	(*)	(*)
Dry residue at 180°C	mg/l	(*)	(*)
Total hardness	mg/l CaC <sub>3</sub> O	0	200
Temporary hardness	mg/l CaC <sub>3</sub> O	=	150
Iron + Manganese	mg/l Fe + Mn	=	0.2
Chlorides	ppm Cl	=	20
Chlorides	mg/Si <sub>2</sub> O	=	20
Chlorine residue	mg/l Cl <sup>-</sup>	=	0.2
Calcium sulphate	mg/l CaS <sub>4</sub> O	=	60

Tab.3.e

(\*) Values dependent on the specific conductivity: in general:  $cR \sim 0.65 \cdot \sigma R$ , 20°C;  $R180 \sim 0.9 \cdot \sigma R$ , 20°C  
 Note: There is no relationship between the hardness and conductivity of water.

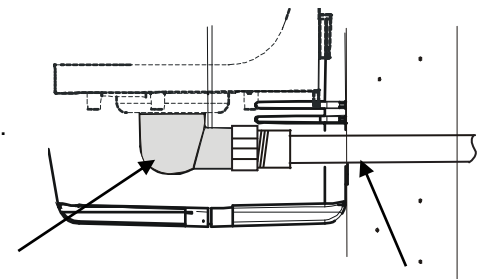
**Water Conductivity must be matched by specifications of the steam cylinder.** Check or know the water conductivity of the proposed site before installation. Replace the steam cylinder before startup if not correct. See Table 3.f right.

ELITE STEAM models	Conductivity µS/cm	Steam Cylinder
DS25, RS25, DS25LC, RS25LC, DS35, RS35	125-400	35-14
DS25, RS25, DS25LC, RS25LC, DS35, RS35	400-1250	35-15
DS15P, RS15P, DS15, RS15	400-1250	15-14
DS20A, RS20A	400-1250	20-14
DS20A, RS20A	125-400	20-14L

Tab.3.f

#### The following water types are not acceptable:

1. Softened water as this will lead to foam, electrode corrosion and greatly shortened cylinder life.
2. Water containing disinfectants or corrosion inhibitors, as these are potential irritants.
3. Industrial water, boiler water or water from cooling circuits.
4. Any potentially chemically or bacteriologically contaminated water.
5. Heated water.



Water drain outlet

Fig. 3.g

Extension tube

#### 3.3.2 Water Supply Connection

We recommend the connection between the fill valve and the water supply line by a soft poly hose capable of absorbing the water hammering in order to avoid damage to the fill valve itself. The water line may be routed through the back or through the bottom of the unit. With poly tubing, a tubing support must be used to prevent tubing collapse and leaks. The fitting then threads onto the fill valve inlet located on the bottom of the humidifier using a 3/4" G connection. **Note that there is a strainer built into the fill valve fitting underneath the unit, which will require periodic cleaning, so be sure to allow clearance for access.**

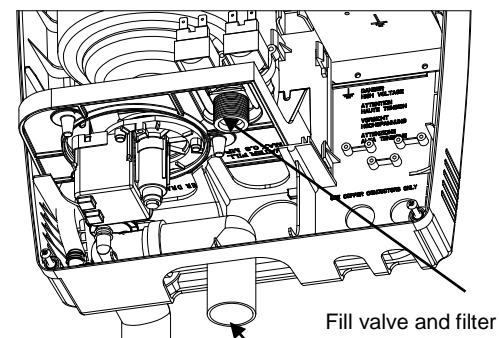


Fig. 3.h

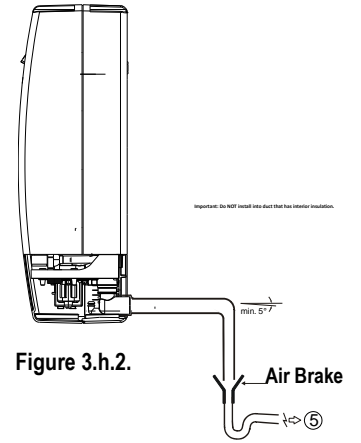
Water drain

### 3.3.3 Water Drain

The Elite Steam also requires a connection to a drain. The drain line may be routed out the back or bottom of the unit using the included angle fitting. The drain line can be 1-1/4" PVC, CPVC or polypropylene. The drain line is not glued or otherwise attached to the humidifier so it must be supported by itself. A coupling should be used. The Elite Steam includes a drain tempering valve that runs whenever the drain pump runs and flushes cool water into the drain line to insure the drain water temperature never exceeds 60°C or 140°F.

The drain water characteristics are:

- Drain Flow Rate – See Technical Specifications (Section 8 / pg 24)
- Connection 32mm or 1 1/4"
- Temperature 60°C or 140°F



**IMPORTANT:** Drain line must be trapped under the unit to prevent flash steam from condensing in the unit cabinet, as seen in figure 3.h.2.

### 3.3.4 Drain Connections

When using a rear outlet drain passing through drywall, we suggest using a 1 1/4" extension tube type SJ (see Fig. 3.f). When using a bottom outlet drain, attach the included 90° fitting to the drain outlet. The drain outlet may be rotated. Then connect a 1 1/4" trap adaptor to connect to drain pipe.

**WARNING:** The drain pipe must be free without back pressure. We recommend an external anti-flooding device not supplied to protect from faults of external hydraulic circuits.

### 3.3.5 Condensate Pump

When using a Condensate Pump, ensure pump selected is capable of handling 7.0 GPM for up to 10-15 seconds.

## 3.4 Steam distribution

### 3.4.1 Duct steam injection (Additional kit required)

The maximum allowed duct static pressure is 2 in WC.

The **Elite Steam** duct injection models include a plastic duct injection nozzle. See Fig. 3.i

	Millimeters	Inch
A	31.5 mm	1.24"
B	50 mm	1.96"
C	56 mm	2.20"
D	57.5 mm	2.26"
E	100 mm	3.93"
F	∅ 8 mm	∅ 0.31"
G	∅ 22 mm	∅ 0.86"
H	∅ 30 mm	∅ 1.18"
I	12 or 22 mm	0.47 or 0.87"

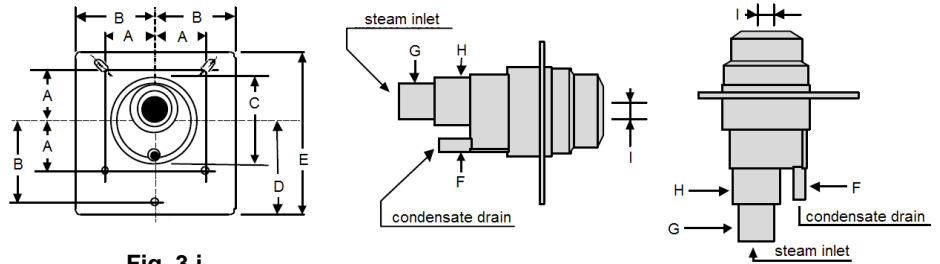


Fig. 3.i

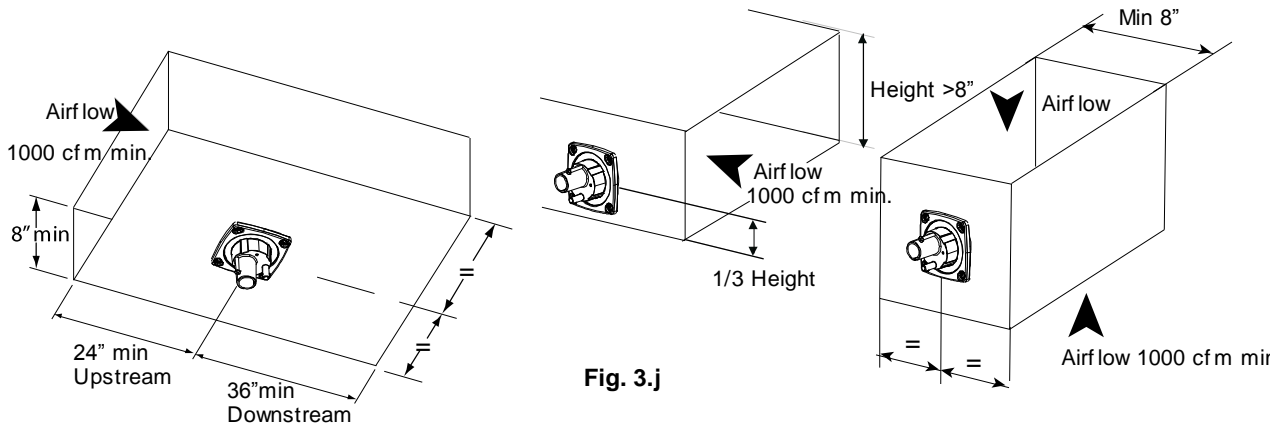


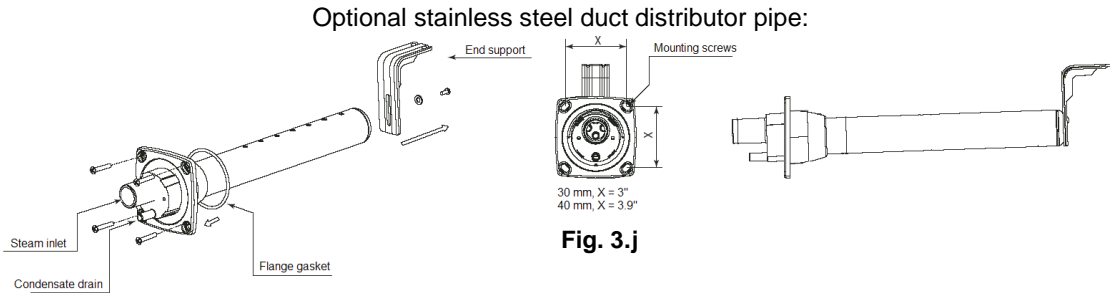
Fig. 3.j

**Important: Do NOT install into duct that has interior insulation.**

**3.4.2 Duct Distribution (Additional kit required)**

If a duct steam distribution nozzle is to be used, select an accessible location on the duct, allowing at least 36" of straight duct (no elbows or obstructions) after the point where the nozzle will be installed and the clearances can be maintained as per the following drawings. See Fig.3.j To mount the steam nozzle, cut or drill a 2-1/2" hole in the duct. Apply caulk to the mounting plate of the nozzle. Attach the nozzle to the duct using 4 #10 sheet metal screws (supplied). Nozzle must be level or vertical with condensate outlet to the bottom.

**IMPORTANT:** Allow 1 M (3 feet ) of straight duct downstream of the distributor pipes and nozzles for absorption of the steam. Always allow 0.6M (2 feet) of straight duct upstream of the distributor pipes for evaporation of the steam. Turbulent air flow may require longer lengths.



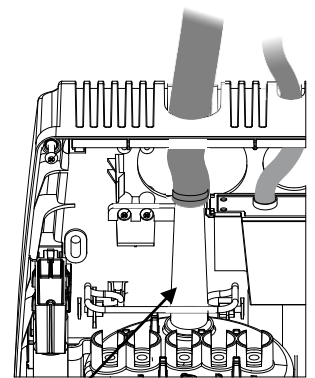
**Fig. 3.j**

**To Install The Distributor Pipes:**

1. Cut a round hole in the side of the duct to match the steam pipe and condensate return.
  2. Apply silicone sealant to the mounting plate and insert the pipe through the hole and secure it with sheet metal screws. See Fig. 3.k
  3. Connect the steam and condensate hoses using the hose clamps supplied.
- (Note: end support bracket supplied only with 36" and longer distributors.)

**3.4.3 Return Condensate Connection**

The return condensate hose from the nozzle, etc. must be trapped. Coil the hose into a vertical loop and secure it below the nozzle, etc. This trap prevents steam from being released into the cabinet. The hose end may be run through the knockout at the top of the humidifier and be inserted into the hole located on top of the fill cup. The hole may be enlarged to suit. See Fig.3.l.



**Fig. 3.l**

25-12 STEAM CYLINDER HOSE ADAPTER

**3.4.4 Steam Hoses**

**IMPORTANT WARNING: NINETY PERCENT (90%) OF ALL OPERATION PROBLEMS ARE CREATED BY IMPROPER STEAM PIPING FROM THE HUMIDIFIER UNIT TO THE DUCT DISTRIBUTOR PIPES.**

To avoid these problems, remember one simple fact when running the steam hose: steam naturally flows up hill, and condensate naturally flows downhill. Run the steam hose or piping to avoid any kinks, sharp elbows, or low spots that could collect or restrict the flow of steam to the distributor pipe, or the flow of condensate back to the humidifier. Support the hose adequately to avoid sags. The following diagrams are to provide you with some guidelines. If you have a situation you are unsure of, please contact the factory for instructions.

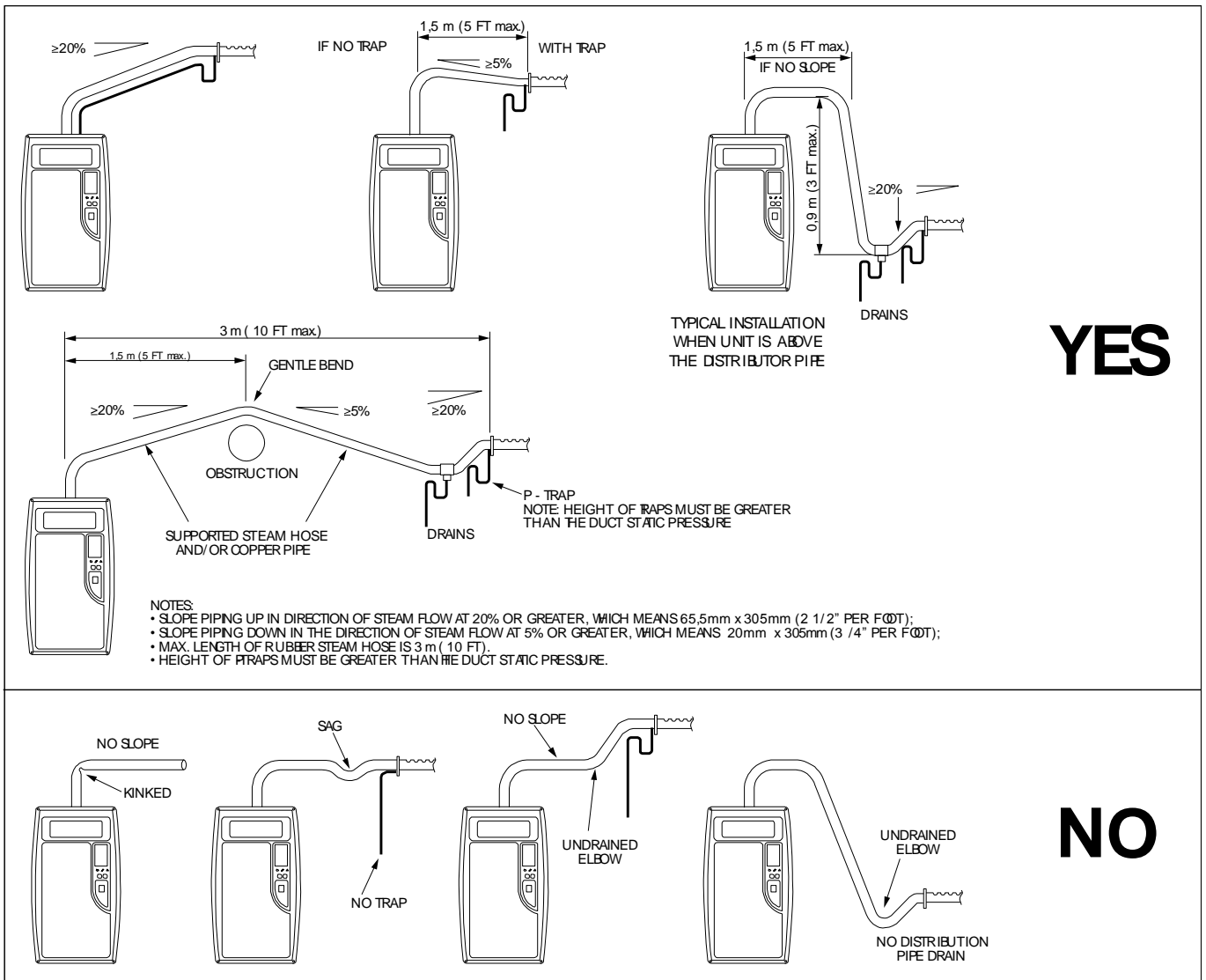


Fig. 3.m

**IMPORTANT: Maximum length of rubber steam hose is 4m (12 feet.). Insulated copper tubing may be up to 6m (20feet) in length. In all cases, minimize sharp bends and elbows. Use 2 - 45° elbows instead of 90°s.**  
 Hose inner diameter = 7/8" (22 mm); Hose outer diameter = 1-1/4" (30 mm).

### 3.4.4 Remote Mount Blower

Remote Mount Blowers, are used to distribute the steam directly into the room. The drawings show the **minimum recommended distances** to avoid the flow of humidified air from coming into direct contact with persons, lights, electrical appliances, and surfaces before the steam has been totally absorbed by the environment. For further details on the assembly, the electrical connections and the use of a Remote Mount Blower, please refer to the specific instruction manual.

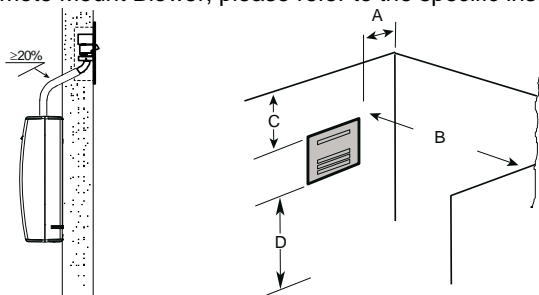


Fig. 3.n

	Millimeters	Inch
A	150 mm	6"
B	1800 mm	72"
C	600 mm	24"
D	2100 mm	84"

Tab. 3.g

### 3.5 Power wiring

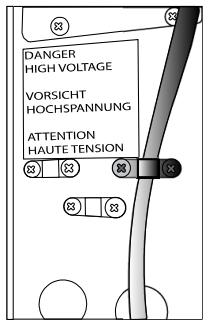


Fig. 3.o

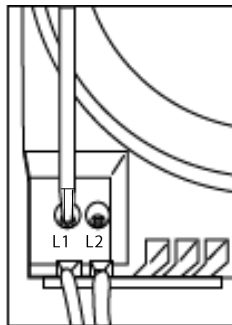


Fig. 3.p

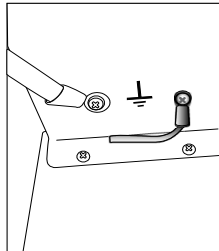


Fig. 3.q

Check that the power supply voltage to be connected matches the value indicated on the rating plate inside the electrical panel.

Insert the power and ground connection cables into the electrical panel compartment using the strain reliefs supplied, and connect to the terminals. An external fused disconnect must be installed. See Fig. 3.o

All wiring must be in accordance with local, state and national electric codes.

**NOTE:** to avoid unwanted interference, the power cables should be kept separate from any control wiring.

**NOTE:** Tolerance allowed on main voltage = -15% to +10%.

Connect power wires to the power terminal block located at the bottom left of the control module, polarity does not matter. See Fig. 3.p

Connect the ground wire to the unit's chassis ground, located just behind the power wiring terminal block. See Fig. 3.q

Model	Power supply (single phase)	Steam Output (lbs/hr)	Steam Output (kg/h)	POWER (kW)	CURRENT (A)	EXTERNAL POWER WIRES	EXTERNAL FUSE (A) OR BREAKER
DS15	110Vac 50/60Hz	5.5	2.5	1.80	16.40	AWG10	25
RS15	110Vac 50/60Hz	5.5	2.5	1.80	16.40	AWG10	25
DS35	230Vac 50/60Hz	12	5.4	3.89	16.95	AWG10	25
RS35	230Vac 50/60Hz	12	5.4	3.89	16.95	AWG10	25

(Since 25A breakers are not readily available in the Canadian market, use a 30A DP breaker.)

### 3.6 Control wiring

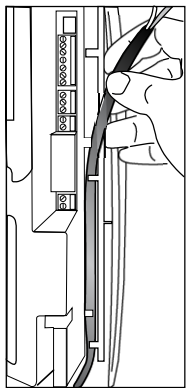


Fig. 3.r

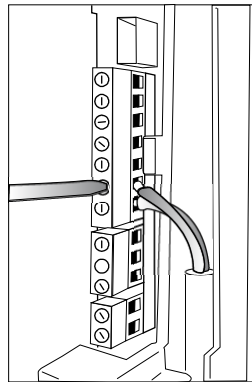


Fig. 3.s

Elite Steam allows connection of any simple or automatic humidistat, and safety devices such as high-limit humidistat, air flow proving switch, and remote on/off.

The humidifier is operated by the closing of a mechanical humidistat H, or by the closing of a voltage-free remote contact, or alternatively by a combination of both. The most common is a combination of a humidistat and pressure switch. The diagrams in the figures show the connections to be made on the terminal block, in case of:

**Fig. 3.u** Operation performed by a simple enabling contact;

**Fig. 3.t** Operation controlled by an external mechanical humidistat;

**Fig. 3.v** A combination of both humidistat and pressure switch (most common).

Contact AB-AB:

- closed: humidifier enabled to produce steam (production starts when humidistat closes);
- open: steam production is immediately stopped.

The remote on/off contact is usually a series of external potential-free contacts that enable the humidifier to produce steam when all of them are closed, indicating the duct/AHU is ready to accept steam. Connect the 12500 Pressure Switch NO and C terminals to the AB-AB contacts.

**For example,**

- fan contact closes when fan is running;
- downstream cooling coil contact closes when coil is off; etc.

**Contact IN-GND:**

- closed: steam production starts if contact AB-AB is closed
- open: steam production is stopped after 5 sec.

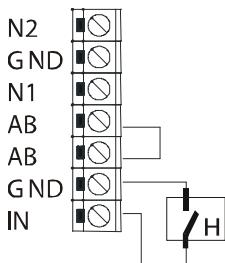


Fig. 3.t

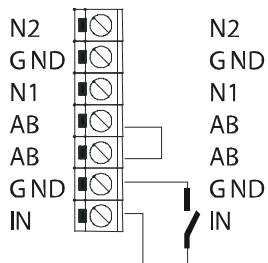


Fig. 3.u

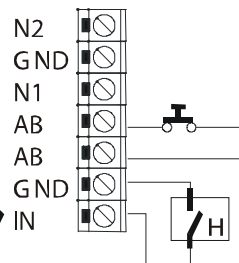


Fig. 3.v

### 3.6.1 Connect the GFX3 Humidistat for On/Off Operation:

1. Remove the humidistat from the base, squeeze the louvered base at the top and bottom. To remove the humidistat from the wall, lift up on the humidistat and pivot top away from wall.
2. Before wall mounting, please remove the black foam gasket.
3. Before return air duct mounting, please remove the breakout piece.
4. If return air duct mounting, route wires between humidistat and base.
5. Mount the sensor outside the house. Do not mount on South side of the house or in direct sunlight. Place at least 4 feet away from any exhaust vent. If in air intake, place 1 foot or closer to outside wall. Place at least 6" higher than possible snow. Do not route sensor wire near high voltage wires.
6. Connect the GND-IN terminals on the humidifier to the HUM terminals on the GFX3 Humidistat. Connect the GND-24V terminals to the ACL-ACN terminals on the GFX3 Humidistat. see Fig.3.x

### 3.6.2 Modulating Operation

Connect an external 0...10 Vdc modulating input between terminals IN-GND. Connect any Safety Switches (high-limit, air flow switch, remote on/off) in series to terminals AB-AB. If no safety switches are used, then a jumper must be installed between AB-AB. DO NOT apply any voltage to AB-AB.

### 3.6.3 Connect the GFX50 humidistat for Modulating Operation

To select signal modulating see Fig 3.y Connect the power supply to the GFX50 G and O terminals, using the terminal GND and 24V on the Elite Steam. **Note MODULATING OPERATION requires a change in signal type. See SEC. 5.1.1 page 19.**

Connect an external signal to the GFX50 using the terminal IN from the Elite Steam and AOUT in GFX50. See the diagram below.

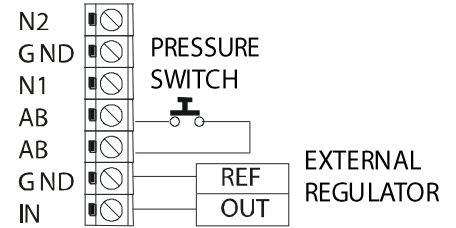


Fig. 3.w

GFX3 HUMIDISTAT

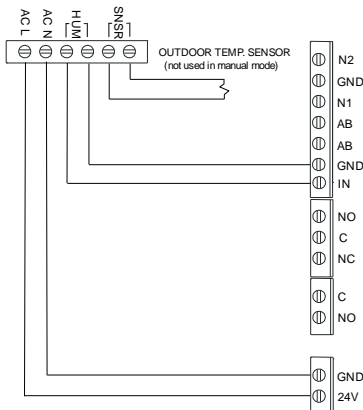


Fig. 3.x

GFX50 HUMIDISTAT

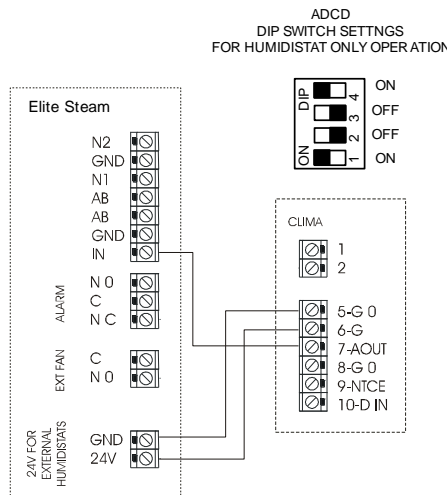
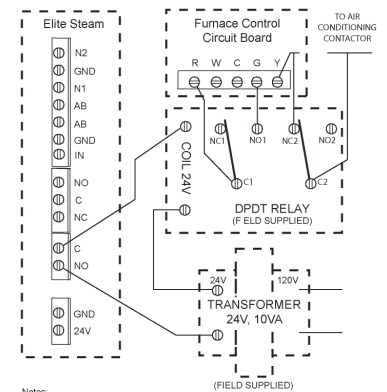


Fig. 3.y

AIR CONDITIONER RELAY INTERLOCK  
FURNACE BLOWER OPERATION



Notes:  
1. External transformer necessary because onboard transformer not sufficient to power auxiliary relay.

Fig. 3.z

### 3.6.4 Safety and High Limit Switches

Remove the jumper between terminals AB-AB and connect any simple high-limits, air flow switch, 12500 pressure switch, and remote contacts in series to terminals AB-AB; otherwise, if no such dry contacts are available, the jumper must remain in place between terminals AB-AB. DO NOT apply any voltage to AB-AB.

Thread the control wiring through the bottom of the unit, and the strain relief (see photo at top of previous page), and then up the side of the control module to the top right wiring terminal blocks. Connect the control wiring to the control wiring terminal blocks found at the top right side of the control module.

### 3.6.5 Air Conditioner Relay Interlock

Auxiliary DPDT safety relay: Use this method in the following situations:

1. To prevent the air conditioner from running when there is a call from humidity. The DPDT relay will open the "Y" circuit and close the "G" circuit for operation while a call for humidity is present. Demand for humidity will override call for cooling.
2. In systems using a thermostat where G and Y are a single circuit. The DPDT relay will allow blower operation to occur without back-feeding the compressor.

Do not use this method when simultaneous humidification and cooling will be desired. Use a high limit humidistat in to avoid condensation in ductwork.

The humidistat should be set to OFF during the air conditioning season if humidification is not desired.

For variable speed or DC systems, consult furnace manufacturer.

### 3.7 Wiring Connections:

Terminals	Functions	Electrical specifications
L1-L2 -GROUND	Power supply and Ground connections	Power supply 110 VAC 1-phase 50-60Hz 1.86kW or 230VAC 1-phase 50-60Hz 4.05kW
KEY	Programming port	Connecting to Programming port or supervisor
AB-AB	Remote enabling input	Imposes an external NO contact ; Rmax=300 Ohm; Vmax=33 Vdc; Imax=6mA; humidifier enabled = contact closed
IN-GND	Control signal input	If programmed 0...10V: Input impedance 10 kohm If programmed ON-OFF: Vmax 33Vdc Imax = 5mA Rmax = 300 Ohm
NC-C-NO	NC alarm contact Common alarm contact NO alarm contact	250V; 8Amp max with resistive load; 4 Amp max with inductive load
NO-C	External fan relay	250V; 8Amp max with resistive load; 4 Amp max with inductive load
24GND	Power for external humidistat	Power supply for external humidistat 24 Vac; 2 Watt

#### 3.7.1 Wiring diagram of controller

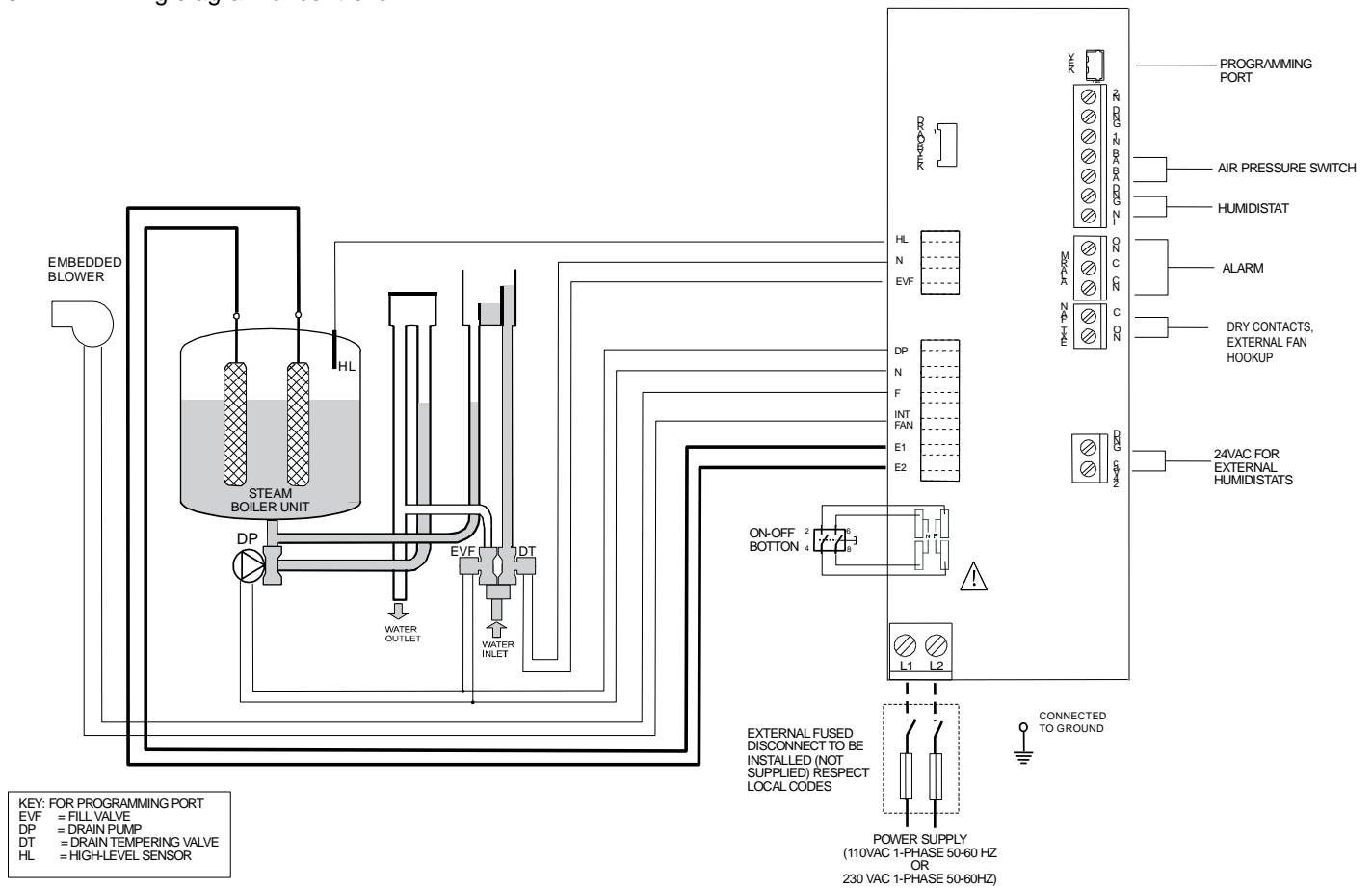


Fig. 3.z.1

## 4. START-UP

1. Before starting, check that the humidifier is in perfect condition, that there are no water leaks and that the electrical parts are dry;
2. Do not connect power if the humidifier is damaged or even partially wet!

When installation is completed, flush the supply pipe for around 10 minutes by piping water directly into the drain, without sending it into the humidifier; this will eliminate any scale or residues that may cause foam when boiling.

### 4.1 Start-Up Checklist

Before starting the humidifier, the following should be checked:

- Water is connected, the line has been flushed, and external valves are open.
- Drain is connected, run to an open drain, and has a trap under the unit.
- Electricity is connected in accordance with instructions, local codes and data labels in the unit.
- The power fuses are installed and intact.
- All control wiring is done and tested.
- Airflow switch is wired to open on air flow loss.
- Hi-limit humidistat is wired to open on humidity rise above set point.
- Unit wires have been checked to make sure they and all connectors are tight from shipping.
- The steam hose(s) are run correctly with no sags or kinks and sloped properly according to the manual.
- Condensate hoses are run correctly with no sags or kinks and sloped properly according to the manual.

### 4.2 The Elite Steam Controller

The *Elite Steam* controller features a comprehensive information display that shows the operation of the system at a glance:

1.	Display is % of nominal capacity
2.	Maintenance
3.	Display is amperage (default)
4.	Steam is being produced
5.	Cylinder filling
6.	Foaming
7.	Water presence inside the cylinder
8.	Cylinder draining
9.	LED's indicate: power (yellow), operation (green) and alarms (red)
10.	Drain button for manual draining of cylinder and confirming parameter values
11.	ON/OFF button
12.	Reset button to reset alarms and access parameters
13.	Level of output: 33%, 66%, 100%
14.	Fan relay is activated


The Elite Steam is now ready to operate.

### 4.3 Starting Elite Steam

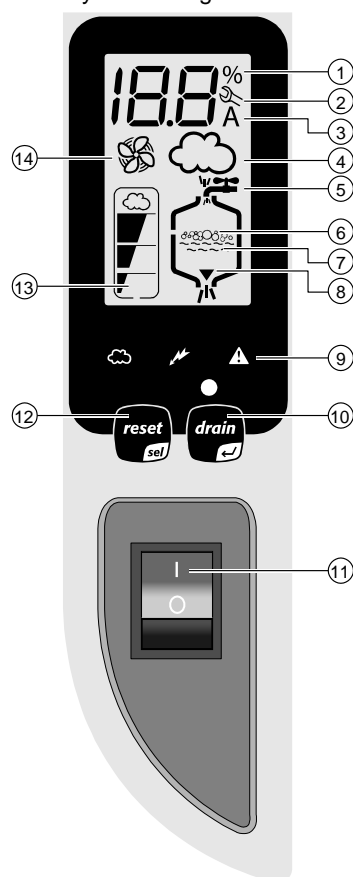
- Insure that the external power is turned on.
- Push the top part of the On/Off button so that the I part is in. The yellow Power LED will be lit. The Elite Steam is now ready to operate.
- When there is a call for humidity, Elite Steam will close its power relays and send power to the electrodes in the plastic steam generator. The green Operation LED will light, indicating that operation has begun.

### 4.4 Starting with a new cylinder

When starting with a new cylinder, you should activate the cylinder cleaning function as follows:

1. Switch Elite Steam off.
2. Press and hold both buttons, “**reset**” and “**drain**”, and switch Elite Steam back on. When the wrench blinks  then release the two buttons.
3. Press and hold “**reset**” until the display shows 04.  
**WARNING:** DO NOT confirm any value higher than 04. If 05 or higher is displayed, press “**reset**” until the display goes back to the normal operating mode and restart from step
4. Press “**drain**” (minimum 1 second): the cleaning starts and the display shows PC.

During the cleaning, the electrodes are powered and water is filled in until it touches the high-level sensor or the phase current equals 20A, whichever occurs first. After either of the events is detected, the boiler is fully discharged with the electrodes un-powered (the drain pump and the drain tempering valve are activated for 3 minutes). Warming the filling water helps washing out any mould release or dirt. General Filters, Inc. recommends doing two cleanings when starting a new boiler. After the cleaning ends, the humidifier starts the regular duty. When starting the unit with a new or empty cylinder, it may take a significant amount of time (hours) for the unit to build up enough mineral concentration to reach rated capacity. This time can be shortened by the addition of Alka-Seltzer through the steam outlet on top of the cylinder.



## 5. OPERATING ELITE STEAM

### 5.1 Displaying Information

By pressing the “reset” button for 2 seconds, the display will loop from amperage to production in % of the maximum production to the hour counter and back to amperage:




Fig. 5.a

1. **Amperage:** it is the value of the current that flows through the water making it boiling off (default display)
2. **Production %:** it is the current production expressed as a percentage of the humidifier's capacity
3. **Hour counter,** expressed in tens; for instance, when the display shows 13 the real hour value will be between 130 and 139 hours.


#### 5.1.1 Select Signal Type

The Elite Steam is preset for the included GFX3 humidistat (signal type 0). If the included humidistat is used, this section may be omitted. If another humidistat is used, review this section to see if changes are needed.

1. Switch Elite Steam off.
2. Press and hold both buttons “reset” and “drain” and switch Elite Steam back on. When the wrench blinks,  release the 2 buttons.
3. Press “Reset” until the display shows 02. WARNING: DO NOT confirm any value higher than 04. If 05 or higher is displayed, press “Reset” until the display goes back to the normal operating mode and restart from step 1.
4. Press “drain” (minimum 1 second) to confirm: the display shows “P1” then the current signal type and “set”
5. Press “Reset” to change signal type between 0 and 1:
  - 0 = On-Off humidistat such as the GeneralAire “M” or “GFX” series humidistat.
  - 1 = external 0...10 Vdc modulating signal such as the GeneralAire® ADCD series humidistat
6. Press “drain” (minimum 1 second) when done to confirm the new value of P1 and exit to the normal operating mode.
7. Switch Elite Steam off: you can now proceed with connecting the control wiring.

### 5.2 Changing The Maximum Production

The maximum production can be adjusted between 20% to 100% of the nominal production, in steps of 5% in order to suit the environmental characteristics. DS25 and RS25 Maximum production is factory set at 70%.


1. Switch Elite Steam off.
2. Press both and hold both buttons “Reset” and “Drain”, and switch Elite Steam back on. When the wrench blinks;  release the 2 buttons.
3. Press “reset” until the display shows 01. WARNING: DO NOT confirm any value higher than 04. If 05 or higher is displayed, press “Reset” until the display goes back to the normal operating mode and restart from step 1.
4. Press “drain” (minimum 1 second) the display shows “P0” then the current Maximum Production Percent and “set”.
5. Press “reset” to change the Maximum Production in steps of 5% between 20% and 100%.
6. Press and hold “drain” (minimum 1 second) when done to confirm the new Maximum Production and exit to the normal operating mode.

### 5.3 Activating Manual Drain

Press and hold the “drain” button on the front of the unit until the cylinder is drained. Note: Water will continue to flow from the tempering valve after the cylinder is empty.

### 5.4 Resetting the hour counter

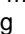
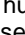
The hour counter should be reset every time the cylinder is changed in order to reset and restart the internal maintenance timer:

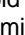

1. Switch Elite Steam off.
2. Press and hold both buttons “Reset” and “Drain” and switch Elite Steam back on. When the branch  blinks; release buttons.
3. Press and hold “reset” until the display shows 03. WARNING: DO NOT confirm any value higher than 04. If 05 or higher is displayed, press “reset” until the display goes back to the normal operating mode and restart from step 1.
4. Press “drain” (minimum 1 second) to confirm: the hour counter will be reset at once and Elite Steam will go back to the normal operating mode.

## 5.5 Using the GFX3 Humidistat

Press  to select **OFF**, **MANUAL** or **AUTO mode** (if outdoor sensor is connected).

**OFF mode:** The humidifier is turned off.

**MANUAL mode:** The GFX3 will work to maintain the single humidity selected. You can set your desired humidity level by pressing  or . The humidifier will turn ON or OFF according to your manual setting. (The humidifier will operate when the measured relative humidity falls more than 2% below the set point.) Humidity will have to be lowered when weather is colder or if condensation is suspected.


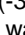
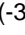



**AUTO mode:** The GFX3 will automatically raise the humidity as the outdoor temperature increases. This provides the highest possible humidity. The GFX3 will automatically lower the humidity as temperatures drop. This minimizes the risk of condensation on cold surfaces like windows. You can adjust the Auto Humidity Index Set Point from 0 (low) to 10 (high) by pressing  or . The Humidity Index is based on the outdoor temperature and indoor humidity. The humidifier will switch ON/OFF according to the calculated auto humidity index set point. Lower Index settings are for older homes with less insulation and vapor barriers. Higher Index settings are for newer homes with complete vapor barriers, triple pane windows and high R value insulation. If condensation occurs reduce Index setting by 2 points until condensation stops.

**NOTE** If the outdoor temperature sensor fails,  flashes and the unit will default to **MANUAL mode**.

**To toggle between indoor / outdoor temperature and indoor humidity:** Press .

**To change the temperature unit:** Press °C / °F.

**To set the temperature / humidity offset in MANUAL or AUTO mode:**

1. Simultaneously press  and  when viewing the temperature or humidity reading.
2. Use  or  to change the setting (-3 to 3).
3. Press  and  simultaneously or wait 5 seconds to confirm and move onto the next setting.

Suggested Setting	Outdoor Temperatures
15%	-20°F -29°C
20%	-10°F -23°C
25%	0°F -18°C
30%	+10°F -12°C
35%	+20°F -7°C
40%	+30°F -1°C

**WARNING:** Do not allow excess humidification. Excess humidity can cause condensation and enable mold and mildew growth.

## 5.6 Alarms

In the event of an alarm, the red alarm LED will flash, the alarm relay will close, and the alarm code will flash in the display. Multiple alarms will flash in sequence, alternating with the main display. Pressing the sel button for 2 seconds will reset the alarms, although still active alarms will continue to display.

Display	Description	Action	Red Led	Alarm Relay	Notes
--	Remote on-off open	Unit disabled	Off	Off	
EE	Internal memory error	Unit disabled	On	On	
E0	Control board configuration not valid	Unit disabled	On	On	Turn off, check control board, reprogram
E1	High current alarm	Unit disabled	On	On	Turn off, check connections, check cylinder (no limescale bridges between electrodes, no electrodes short-circuited)
E2	Low production, low supply water conductivity or excessive foam/limescale in the cylinder	Unit disabled. Press "reset/sel" key for 1 seconds to reset.	On	On	Check supply water conductivity (too low?), replace the cylinder.
E3	Cylinder almost exhausted, already used for 2000 hrs	Press "reset/sel" key for 1 seconds to reset.	Off	Off	Change cylinder (not urgent)
E4	Fill alarm, unable or slow fill (current does not increase within timeout)	Press "reset/sel" key for 1 seconds to reset, otherwise the warning will be reset automatically every 10 minutes until the supply water is available again.	On	On	Check water supply and fill valve; check drain pump for leakage
E5	Drain alarm, unable to drain (current does not decrease within timeout)	Press "reset/sel" key for 1 seconds to reset	On	On	Check drain pump and drain connection
E6	Cylinder exhausted (critical performance detected)	The warning is automatically reset if Elite Steam can produce the demand, otherwise turn off and then on.	Off	Off	Change cylinder (urgent)
E7	Foam detected	Press "reset/sel" key for 1 seconds to reset	Off	Off	If it continues, do some cleaning cycles (read chap. "Starting with a new cylinder")
E8	Cylinder lifetime expired (3000 hours)	Unit disabled: Reset the hour counter (read chap. "Resetting the hour counter")	On	On	Change the cylinder if necessary
E9	High controller temperature (above 176 °F / 80 °C)	The warning is automatically reset if the temperature decreases below 176 °F / 80 °C.	Off	Off	Check the ambient temperature, replace the controller.

## 6. TROUBLE SHOOTING

Problem	Causes	Solutions
The humidifier does not turn on	<ol style="list-style-type: none"> <li>1. No electrical power</li> <li>2. On/off switch of the humidifier in position 0 (open)</li> <li>3. Control connectors improperly connected</li> <li>4. Blown fuses</li> <li>5. Transformer failure</li> </ol>	<ol style="list-style-type: none"> <li>1. Check the safety devices upstream from the humidifier and the presence of power</li> <li>2. Close the switch on the panel: position I</li> <li>3. Check that connectors are properly inserted in terminal block</li> <li>4. Check the condition of fuses</li> <li>5. Check that the proper voltage is connected and turned on</li> </ol>
The humidifier does not start operation	<ol style="list-style-type: none"> <li>1. Remote ON/OFF contact open</li> <li>2. The humidistat has not been connected correctly</li> <li>3. Humidistat failure</li> <li>4. Control signal not compatible with the type set</li> <li>5. Value measured by the sensor/s higher than the corresponding set point</li> </ol>	<ol style="list-style-type: none"> <li>1. Close ON/OFF contacts</li> <li>2. Check the external connection</li> <li>3. Replace the humidistat</li> </ol>
The humidifier fills with water without producing steam	<ol style="list-style-type: none"> <li>1. High steam back pressure</li> <li>2. Fill valve strainer clogged</li> <li>3. Mineral in the fill cup</li> <li>4. Drain pump valve leaking</li> </ol>	<ol style="list-style-type: none"> <li>1. Check that the steam hose is not kinked or sagging, trapping condensate</li> <li>2. Clean the fill valve strainer</li> <li>3. Clean the fill cup</li> <li>4. Check for voltage at the drain pump valve and/or drain pump replacement</li> </ol>
The humidifier wets the duct	<ol style="list-style-type: none"> <li>1. The distributor is not installed correctly (too near the top of the duct or the condensate return is blocked)</li> <li>2. Air flow rate is too low</li> <li>3. Humidifier active when the fan in the duct is off</li> </ol>	<ol style="list-style-type: none"> <li>1. Check that the steam distributor is installed correctly</li> <li>2. Increase air flow in duct or decrease PO maximum steam production setting</li> <li>3. Check the connection of the device (flow switch or differential pressure switch) controlling the humidifier to the ventilation in the duct</li> </ol>
The humidifier wets the floor below	<ol style="list-style-type: none"> <li>1. The humidifier drain is blocked</li> <li>2. The supply water or overflow circuit has leaks</li> <li>3. The condensate drain pipe does not bring the water back to the drain pan</li> <li>4. The steam hose is not properly fastened to the cylinder</li> <li>5. The bushing and / or O-ring at the base of the cylinder are missing or not properly seated.</li> </ol>	<ol style="list-style-type: none"> <li>1. Clean the drain assembly and pan</li> <li>2. Check the entire water circuit</li> <li>3. Check the correct position of the condensate drain hose in the drain pan</li> <li>4. Check the fastening of the hose clamps on the steam outlet</li> <li>5. Lift out the cylinder and check to see the bushing and / or O-ring are properly seated. See illustration page 21.</li> </ol>

**Tab. 6.a**

Problem	Causes	Solutions
<b>Water in the cylinder turns black</b>	<ol style="list-style-type: none"> <li>1. Minerals in the cylinder have over-concentrated and are deteriorating the electrodes.</li> </ol>	<ol style="list-style-type: none"> <li>1. Check for sags &amp; kinks that could trap condensate in the steam hoses that could cause a back pressure on the cylinder.</li> <li>2. Check the duct static pressure.</li> <li>3. Check the fill valve and inlet strainer.</li> <li>4. Check the drain pump operation.</li> <li>5. Correct installation problems and replace cylinder.</li> </ol>
<b>Heavy arcing occurs within hours of startup</b>	<ol style="list-style-type: none"> <li>1. The feed water contains large amounts of Iron, Copper or other conductive contaminants.</li> </ol>	<ol style="list-style-type: none"> <li>1. Contact the factory for an optional drain timer to force additional drains to control the minerals.</li> <li>2. If you are using a softener. Discontinue use.</li> <li>3. Check the electrodes in the cylinder to be sure they were not damaged in shipping.</li> </ol>
<b>Humidifier continuously fills and drains without producing steam</b>	<ol style="list-style-type: none"> <li>1. Mineral has bridged between the electrodes.</li> <li>2. There is back pressure from the steam hoses or duct.</li> <li>3. The flow regulator in the fill valve is broken or out of place.</li> <li>4. Water conductivity is very high.</li> <li>5. Water is foaming excessively.</li> </ol>	<ol style="list-style-type: none"> <li>1. Clean or replace the cylinder.</li> <li>2. Check the steam hoses for kinks or gullies that might be trapping condensate.</li> <li>3. Replace the fill valve.</li> <li>4. Consider using a mix of demineralized water with raw water.</li> <li>5. Check cylinder - replace if exhausted. If feed water contains silica or nitrates, install a 1 micron water filter.</li> </ol>

**Tab. 6.b**

## 7. MAINTENANCE

### 7.1 Periodic checks

- After one hour of operation: Check that there are no significant water leaks.
- Every fifteen days or no more than 300 operating hours: Check operation, that there are no significant water leaks and the general condition of the cylinder. Check that during operation there is no arcing between the electrodes.
- Every three months or no more than 1000 operating hours: Check operation, that there are no significant water leaks and, if necessary, replace the cylinder. Check that there are no blackened parts of the cylinder. If there are blackened parts of the cylinder, check the condition of the electrodes, and if necessary replace the cylinder.
- Annually or no more than 2500 operating hours: Replace the cylinder.

**CAUTION: ALWAYS DISCONNECT THE MAIN POWER BEFORE DOING MAINTENANCE!**

CAUTION: always disconnect the main power before touching the cylinder in the event of leaks, as current may flow through the water.

### 7.2 Cylinder maintenance

The life of the cylinder depends on a number of factors, including: the amount and type of mineral in the water, the correct use and sizing of the humidifier, and the output, as well as careful and regular maintenance. Another factor affecting cylinder life is Maximum Production, the higher the production rate the shorter the cylinder life; for this reason the DS-25 and RS-25 are preset from the factory at 70%. Further reductions in maximum production will extend cylinder life. See figure 7.a

#### IMPORTANT WARNINGS

The humidifier and its cylinder contain live electrical components and hot surfaces, and therefore all service and/or maintenance operations must be performed by expert and qualified personnel, who are aware of the necessary precautions. Before performing any operations on the cylinder, check that the humidifier is disconnected from the power supply. Remove the cylinder from the humidifier only after having drained it completely using the manual “drain” button or procedure. Check that the model and the power supply voltage of the new cylinder correspond to the data on the rating label.

#### 7.2.1 Replacing the cylinder

**IMPORTANT WARNING:** the cylinder may be hot. Allow it to cool before touching it or use protective gloves.

To replace the cylinder:

1. Completely drain the cylinder by pressing and holding the “**drain**” button until the cylinder is empty;
2. Turn the humidifier off and disconnect the main power;
3. Remove the cover;
4. DS Models:
  - Remove the steam hose from the cylinder;
  - Flip up the cylinder holding bracket and lift the cylinder out of the unit;
  - Disconnect the steam hose adapter from the cylinder and lift the cylinder out of the unit. Bushing and O-ring may fall out with cylinder removal. If so, re-seat a NEW O-ring and existing bushing back in the base.
5. RS Models:
  - Undo the 2 bolts of the embedded fan;
  - Flip up the cylinder holding bracket;
6. Disconnect the distributor from the cylinder and lift the cylinder out of the unit;
7. Set bushing to side. **Do NOT discard bushing.** Dispose of red O-Ring.
8. Disconnect the electrical connections from the top of the cylinder;
9. Ensure **NEW** O-ring and bushing are properly re-seated before inserting new cylinder. See figure 7.c.
10. Install the new cylinder in the humidifier by performing the previous operations in reverse

**CAUTION:** Do not tighten the 7/8” hose clamp so tight that it crushes the cylinder outlet

**WARNING:** Electrical connections to the cylinder must be tight or possible fire hazard may result.

Threaded nuts on power wires must be connected with 44 in-lbs  $\pm$  10% (5 Nm  $\pm$  10%).

#### 7.2.2 Maintenance of the other plumbing components **IMPORTANT WARNINGS:**

- External power must always be disconnected when performing any maintenance on the humidifier.
- When cleaning the plastic components do not use detergents or solvents;
- Scale can be removed using a solution by using vinegar or a weak solution of acetic acid and a soft brush; then rinse the cylinder thoroughly with fresh water.

#### **Cleaning the fill valve:**

After having disconnected the cables and the hoses, remove the valve and check the condition of the inlet filter; clean if necessary using the same cleaning solution as for the steam cylinder and a soft brush.

#### **Cleaning the drain pump:**

Remove the valve body, clean if necessary using the same cleaning solution as for the steam cylinder and a soft brush.

#### **Cleaning the drain pan:**

Clean the pan of any mineral deposits and check that the water flows freely from the pan to the drain at the drain pump.

**Cleaning the supply, fill, overflow pipes:** Check that these are clear and clean or replace if necessary.

**IMPORTANT WARNING:** after having replaced or checked the plumbing, check that components have been reconnected correctly with the proper seals. Re-start the humidifier and perform a number of cleaning cycles (from 2 to 4, read chap. “Starting with a new cylinder”), then check for any water leaks.

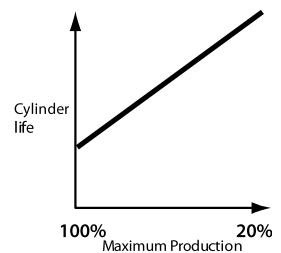


Fig. 7.a



Fig. 7.b.

**Red O-Ring**  
AKA: Gasket  
REPLACE WITH NEW

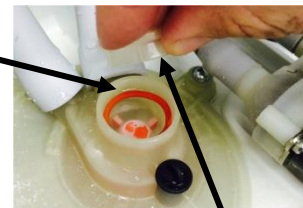
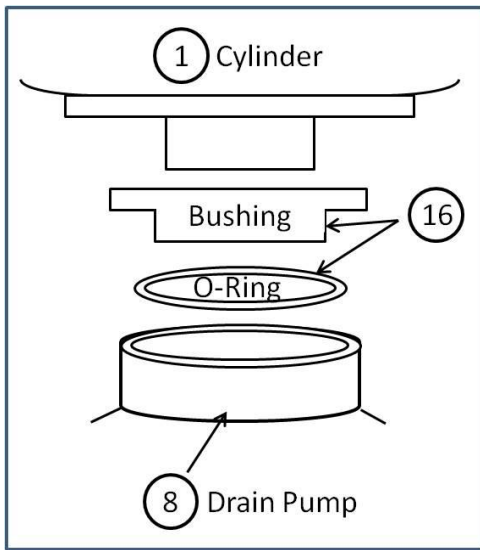


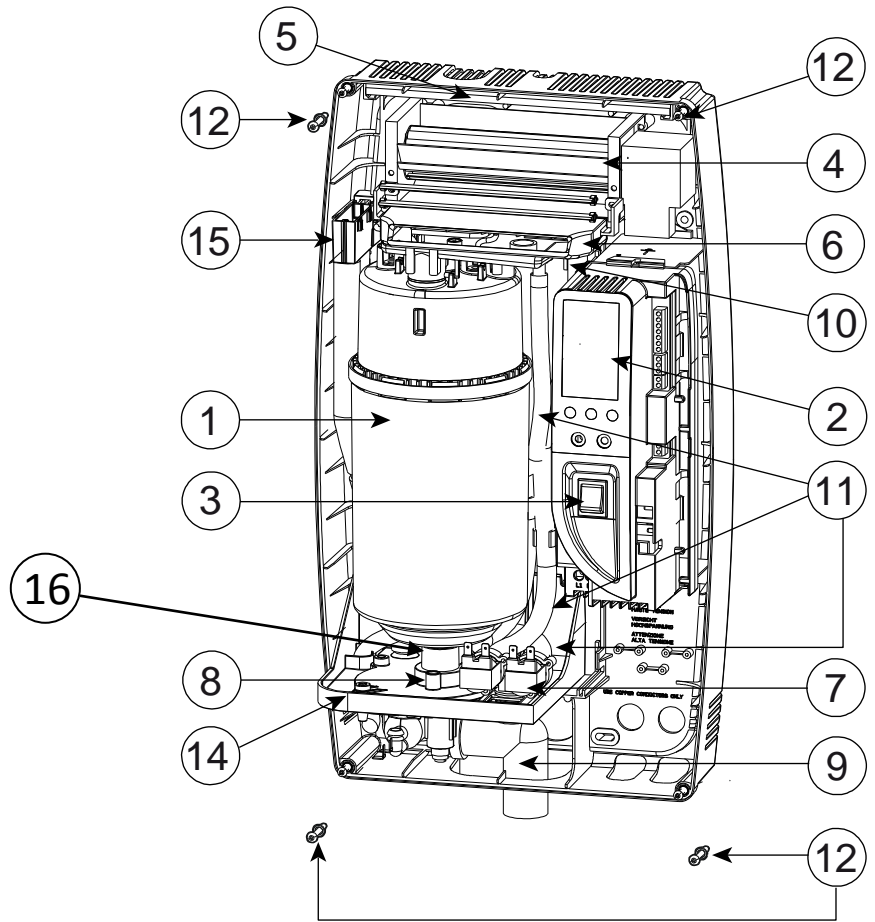
Fig. 7.c.

**Bushing**  
KEEP AND  
RE-SEAT

7.3 Replacement Parts



Expanded View of Bushing & O-Ring Placement



Item	Part No.	Description
1	See the table below	Steam generator cylinder
2	7800	25-1 CONTROL MODULE 5.4 kg/h 230V WITH DRAIN PUMP
	7801	15-5 CONTROL MODULE 2.5 kg/h 110V WITHN DRAIN PUMP
3	7551	35-18 ON/OFF SWITCH FOR CH SERIES
4	7534	15-2 ROOM BLOWER ASSEMBLY 110/1 FOR CH SERIES
	7535	35-2 ROOM BLOWER ASSEMBLY 230/1 FOR CH SERIES
5	7544	35-19 BLOWER FILTER KIT FOR CH SERIES
6	7536	35-20 INTERNAL STEAM DISTRIBUTOR MANIFOLD FOR CH SERIES
7	7802	15-6 FILL SOLENOID VALVE + DRAIN TEMPERING 110 V FOR DRAIN PUMP
	7803	25-3 FILL SOLENOID VALVE + DRAIN TEMPERING 230 V FOR DRAIN PUMP
8	7804	15-7 KIT FOR DRAIN PUMP 110V
	7805	25-7 KIT FOR DRAIN PUMP 230V
9	7542	35-21 90 DEGREE DRAIN ADAPTER FOR CH SERIES
10	7806	25-2 FILL TANK + PLUG FOR DRAIN PUMP
11	7807	25-4 ROOM TUBING KIT FOR DRAIN PUMP
	7808	25-5 DUCT TUBING KIT FOR DRAIN PUMP
12	7553	35-25 COVER HOLDING SCREWS FOR CH SERIES
14	7809	25-6 BOTTOM TANK FOR DRAIN PUMP
15	7810	25-8 DRAIN TANK + PLUG FOR DRAIN PUMP
	7811	25-50 WIRING KIT FOR UNIT WITH DRAIN PUMP
	7815	25-12 STEAM CYLINDER HOSE ADAPTER
16	7685	BUSHING KIT FOR 15 & 25 MODEL STEAM HUMIDIFIERS (BUSHING & O-RING)
Item	Part No.	Description
1	7523	15-14 CYLINDER STD. CONDUCTIVITY 110/1 5.5 LBS/HR DS15P, RS15P, DS15, RS15
1	7524	35-14 CYLINDER STD. CONDUCTIVITY 230/1 12 LBS/HR DS25, RS25, DS25LC, RS25LC
1	7543	35-15 CYLINDER LOW CONDUCTIVITY 230/1 12 LBS/HR DS25, RS25, DS25LC, RS25LC
1	7516	20-14A CYLINDER STD. CONDUCTIVITY 230/1 7 LBS/HR DS20A, RS20A
	7552	35-16 INTERNAL FILTER AND GASKET KIT FOR CYLINDER

## 8. TECHNICAL SPECIFICATIONS

Steam flows, VAC, kW	<b>5.5 lbs/hr (2.5 kg/h): 110 VAC 1-phase 50-60 Hz, 1.86 kW 12 lbs/hr (5.4 kg/h): 230 VAC 1-phase 50-60 Hz, 4.05 kW</b>	Notes
Steam pressure	<b>3.81 in WC / 950 Pa</b>	For duct only
Dimensions (mm )	<b>24" x 14" x 8" (600 x 341 x 204 mm)</b>	(Height x Width x Depth)
Weight empty/packaged/installed with water	<b>18/22/26 lbs. (8/10/12 kg)</b>	
IP class	<b>IP20</b>	
Electrode power cables	<b>12 AWG</b>	
Power relays	<b>2 x 30 Amp</b>	on board
Ground connection	<b>Screw</b>	
Input water type	<b>Potable water</b>	no demin. or softened water
Conductivity range	<b>125-1250 µS/cm</b>	Special cylinders for cond. < 350
Water fill connection	<b>1/4" O.D. Compression</b>	Adapter to 3/4" FPS
Water fill - instant flow	<b>0.09 – 0.16 gpm (0.35 – 0.60 l/min)</b>	
Drain connection	<b>32 mm O.D. (1.25")</b>	Adjustable from horizontal to vertical. May be from back or bottom of unit.
Drain water temp	<b>&lt; 140°F (&lt; 60°C)</b>	drain tempering device
Drain flow	<b><u>Initial Max drain rate</u> - 7 gpm (26.2 l/min) (w/ full cylinder – for the first 10-15 seconds of drain cycle) <u>Average drain rate</u> – 3.1 gpm (11.7 l/min) (measured over a one minute period starting with full cylinder)</b>	
Embedded fan flow	<b>71 cfm (120 m<sup>3</sup>/hr)</b>	Direct Room Discharge Only
Serial communication	<b>RS485</b>	
Unit Voltages	<b>Primary 120 / 240 Volts AC Control Wiring 12 Volts DC</b>	

## 9. LIMITED WARRANTY

DS and RS Residential Humidifiers, if properly registered by the return of the page 25 warranty registration to General Filters, Inc., are warranted to the consumer against defects in materials and workmanship for a period of five years from the date of installation, so long as the product has been installed and operated in accordance with all appropriate manuals and wiring diagrams in a residential structure.

Installation in commercial, industrial or office building will void all warranties. Installation to a water source that does not meet unit specification will void all warranties. Replacement of routinely replaceable parts such as steam cylinders and gaskets, are not covered by this limited warranty or any other warranties.

Any other defective parts will be repaired without charge except for removal, reinstallation and transportation costs. To obtain repair service under this limited warranty, the consumer must send the defective part to General Filters, Inc.


THERE ARE NO EXPRESS WARRANTIES COVERING THIS HUMIDIFIER OTHER THAN AS SET FORTH ABOVE. THE IMPLIED WARRANTIES OF MERCHANTABILITY AND FITNESS FOR A PARTICULAR PURPOSE ARE EXPRESSLY EXCLUDED. THE MANUFACTURER ASSUMES NO LIABILITY IN CONNECTION WITH THE INSTALLATION OR USE OF THIS PRODUCT, EXCEPT AS STATED IN THE LIMITED WARRANTY. THE MANUFACTURER WILL IN NO EVENT BE LIABLE FOR INCIDENTAL OR CONSEQUENTIAL DAMAGES. This limited warranty gives you specific legal rights, and you may also have other rights which vary from state to state. Some states do not allow either limitations on implied warranties, or exclusions from incidental or consequential damages, so the above exclusion and limitation may not apply to you.

Any questions pertaining to this limited warranty should be addressed to General Filters, Inc. General Filters, Inc. has elected not to make available the informal dispute settlement mechanism which is specified in the Magnuson-Moss Warranty Act.

**Register your warranty online USA: [www.generalfilters.com](http://www.generalfilters.com) / Support Center**  
**Register your warranty online Canada: [www.cgfproducts.com](http://www.cgfproducts.com) / Warranty Registration**

GENERAL FILTERS, INC  
 43800 GRAND RIVER AVENUE  
 NOVI, MI. 48375  
[www.generalfilters.com](http://www.generalfilters.com)

CANADIAN GENERAL FILTERS, INC  
 400 MIDWEST ROAD  
 TORONTO, ON M1P3A9  
[www.cgfproducts.com](http://www.cgfproducts.com)



**FILL OUT AND MAIL THIS WARRANTY CARD AND LITERATURE REQUEST FORM**

AIR CLEANERS AND AIR PURIFIERS

HUMIDIFIERS

DIGITAL HUMIDITY GAGE

AIR FILTER GAGE

FUEL OIL FILTERS AND ACCESSORIES

OWNER REGISTRATION ONLINE AT [WWW.GENERALFAIRE.COM](http://WWW.GENERALFAIRE.COM) OR  
 FILL IN REGISTRATION AND MAIL TO:

**WARRANTY REGISTRATION**

MODEL \_\_\_\_\_ SERIAL # \_\_\_\_\_

OWNER'S NAME \_\_\_\_\_

STREET ADDRESS \_\_\_\_\_ STATE \_\_\_\_\_

CITY \_\_\_\_\_ Province: \_\_\_\_\_ POSTAL CODE \_\_\_\_\_

DEALER'S NAME \_\_\_\_\_

STREET ADDRESS \_\_\_\_\_

CITY \_\_\_\_\_ STATE \_\_\_\_\_ Province: \_\_\_\_\_ POSTAL CODE \_\_\_\_\_

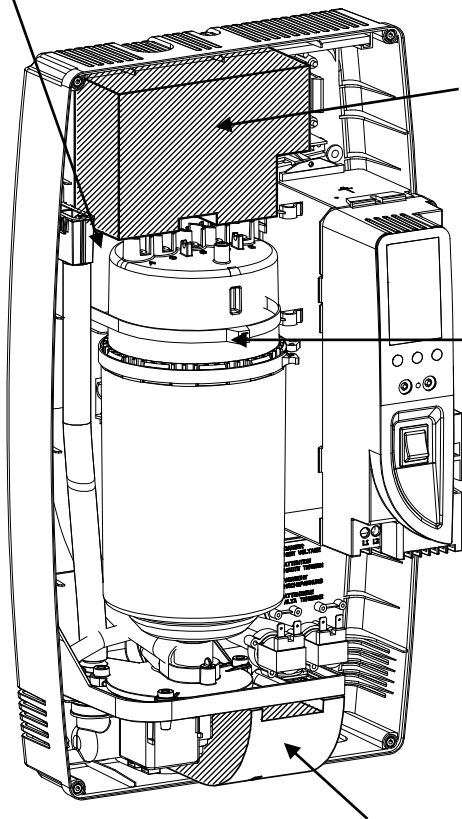
DATE OF INSTALLATION \_\_\_\_\_

GENERAL FILTERS, INC.  
 43800 GRAND RIVER AVENUE  
 NOVI, MI 48375

# Mise en garde

Si présents, retirer les éléments suivants:

FERMER LA BRIDE DU BALLON

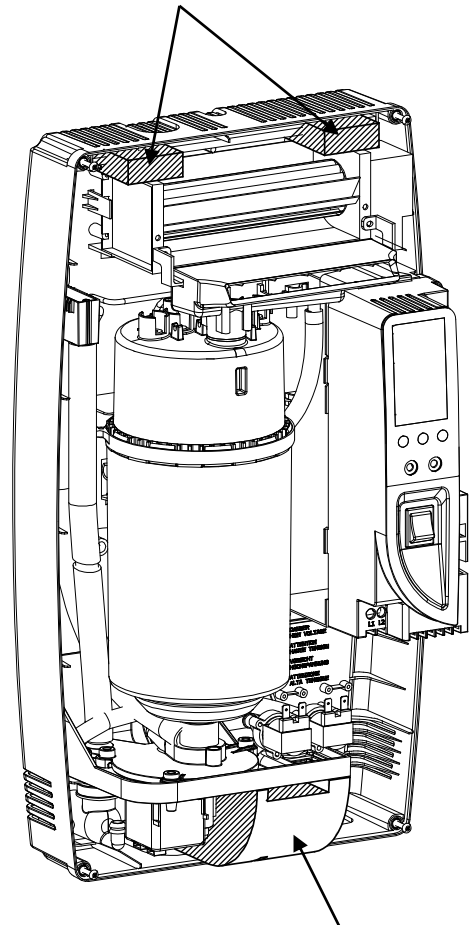


RETIRER AVANT INSTALLATION

RETIRER AVANT INSTALLATION

RETIRER AVANT INSTALLATION

RETIRER AVANT INSTALLATION



RETIRER AVANT INSTALLATION

## MISES EN GARDE IMPORTANTES:



*We wish to save you time and money!  
We can assure you that the thorough  
reading of this manual will guarantee  
correct installation and safe use of the  
product described.*

**AVANT D'INSTALLER OU DE MANIPULER L'HUMIDIFICATEUR, LIRE ET SUIVRE ATTENTIVEMENT LES INSTRUCTIONS ET LES INDICATIONS DE SÉCURITÉ DÉCRITES DANS CE MANUEL ET SUR LES ÉTIQUETTES APPLIQUÉES SUR L'Elite Steam.**

**TOUJOURS COUPER L'ALIMENTATION PRINCIPALE AVANT D'OUVRIER OU DE RÉPARER L'HUMIDIFICATEUR!**

**Elite Steam** produit de la vapeur non-pressurisée à l'aide d'électrodes immergées dans de l'eau contenue dans un ballon plastique générateur de vapeur. Le courant électrique circule à travers l'eau entre les électrodes, réchauffant ainsi l'eau pour créer de la vapeur, qui est ensuite utilisée pour humidifier l'air.

La qualité de l'eau utilisée est importante pour le fonctionnement de l'unité. Elite Steam doit être alimenté avec de l'eau non-traitée, **tant qu'elle est potable ni adoucie ni déminéralisée**. L'eau transformée en vapeur est automatiquement remplacée à travers une vanne électrique de remplissage. L'unité évacuera également de l'eau périodiquement, en fonction de la qualité de l'eau, pour éliminer l'accumulation de minéraux dans le générateur de vapeur. En cas de présence importante de minéraux dans l'eau, un filtre à charbon actif est doté d'un filtre à particules inférieurs à 5 microns.

Cet humidificateur a été exclusivement conçu pour humidifier directement des pièces ou des conduits, par l'utilisation d'un système de distribution. Les opérations d'installation, d'utilisation et de maintenance doivent être effectuées dans le respect des instructions contenues dans ce manuel et sur les étiquettes appliquées à l'intérieur ou à l'extérieur.

ATTENTION: AVANT de commencer l'installation :

- Contrôler l'absence de dommages dus au transport sur les cartons d'emballages. Remplir la lettre de transport en conséquence.
- Ouvrir les cartons et vérifier l'absence de tout dommage caché. Remplir la lettre de transport en conséquence.
- Contrôler le bon de livraison pour vérifier que tous les articles ont bien été reçus. Avertir GENERAL FILTERS, INC. en cas d'absence de pièces ou de pièces endommagées. **Vous devez aviser General Filters, Inc. dans les 5 jours ouvrables en cas de pièces manquantes.**

**ATTENTION : RISQUE DE CHOC ÉLECTRIQUE! L'humidificateur contient des éléments sous tension!**

**ATTENTION : RISQUE DE BRÛLURES! L'humidificateur contient des éléments chauds (100°C/ 212°F)**

**MISE EN GARDE: Installer l'humidificateur hors de la portée des enfants.**

L'humidificateur doit être installé en accord avec les normes nationales et locales.

Toute opération d'entretien et/ou de maintenance doit être effectuée par un personnel qualifié ayant conscience des précautions nécessaires et étant capable d'effectuer ces opérations correctement.

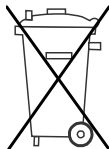
Débrancher l'humidificateur de l'alimentation électrique avant d'accéder aux parties internes.

Les conditions environnementales et la tension de l'alimentation électrique doivent respectées les valeurs spécifiées sur l'étiquette des données de l'humidificateur.

Toute autre utilisation ou modification effectuée sur l'humidificateur non autorisée par le fabricant est considérée comme impropre, le fabricant ne pourra être tenu pour responsable des conséquences de cette utilisation non autorisée.

Veuillez noter que l'humidificateur contient des dispositifs électriques et des surfaces chaudes.

**MISE EN GARDE: Votre humidificateur a besoin d'eau pour fonctionner. Ne PAS le monter au-dessus de matériaux ou de machines pouvant être endommagés suite à des fuites. General Filters, Inc. ne pourra être tenu pour responsable en cas de dommages collatéraux ou non causés par une fuite.**



**Élimination des pièces de l'humidificateur:** l'humidificateur est constitué de pièces métalliques et plastiques. Toutes les pièces doivent être éliminées selon les normes locales d'élimination des déchets.

# CONTENU

<b>1. <u>MODE DE FONCTIONNEMENT DE L'ELITE STEAM</u></b>	<b>1</b>
1.1 FONCTIONNEMENT DE BASE	1
1.2 DUREE DE VIE DU BALLON	2
1.3 CALCUL DE LA CHARGE D'HUMIDITE	2
<b>2. <u>MODÈLES</u></b>	<b>3</b>
<b>3. <u>INSTALLATION</u></b>	<b>4</b>
3.1 MISE EN PLACE	4
3.2 MONTAGE	4
3.3 PLOMBERIE	6
3.4 DISTRIBUTION DE LA VAPEUR	7
3.5 CABLES D'ALIMENTATION	10
3.6 CABLES DE COMMANDE	10
3.7 BRANCHEMENTS DES CABLES:	12
<b>4. <u>DÉMARRAGE</u></b>	<b>13</b>
4.1 LISTE DE CONTROLE AVANT DEMARRAGE	13
4.2 LE CONTROLEUR ELITE STEAM	13
4.3 DEMARRAGE DE L'ELITE STEAM	13
4.4 DEMARRAGE AVEC UN NOUVEAU BALLON	13
<b>5. <u>FONCTIONNEMENT DE L'ELITE STEAM</u></b>	<b>14</b>
5.1 AFFICHAGE DES INFORMATIONS	14
5.2 MODIFICATION DE LA PRODUCTION MAXIMUM	14
5.3 ACTIVATION DE LA VIDANGE MANUELLE	14
5.4 REMISE A ZERO DU COMPTEUR HORAIRE	14
5.5 UTILISATION DE L'HYGROSTAT GFX3	15
5.6 ALARMES	15
<b>6. <u>RÉSOLUTION DES PROBLÈMES</u></b>	<b>16</b>
<b>7. <u>MAINTENANCE</u></b>	<b>17</b>
7.1 CONTROLES PERIODIQUES	17
7.2 MAINTENANCE DU BALLON	17
7.3 PIECES DETACHEES	18
<b>8. <u>SPÉCIFICATIONS TECHNIQUES</u></b>	<b>19</b>
<b>9. <u>GARANTIE LIMITÉE</u></b>	<b>20</b>

# 1. MODE DE FONCTIONNEMENT DE L'ELITE STEAM

## 1.1 Fonctionnement de Base

*Elite Steam* est un humidificateur à électrode. Il produit de la vapeur pour l'humidification en faisant circuler du courant électrique à travers de l'eau entre des électrodes en métal dans le ballon générateur de vapeur en plastique. Il n'y a aucun élément de chauffage. La sortie de vapeur est directement proportionnelle à la conductivité de l'eau et à la quantité d'électrodes immergées dans l'eau.

Lors d'une demande d'humidité, le contrôleur d'*Elite Steam* ouvrira la vanne de remplissage (1) et permettra à l'eau d'entrer dans le ballon. Un limiteur de débit (4) empêche l'unité de se remplir trop rapidement ou avec trop de pression. L'eau coule dans le tuyau de remplissage (2) et dans la coupelle de remplissage (3). L'eau passe ensuite le barrage dans la coupelle de remplissage (3), ce qui crée un premier intervalle d'air qui empêche le retour d'eau contaminée dans les lignes d'alimentation, et dans le tube de remplissage (6) et dans le fond du ballon à vapeur (5). Tout retour ou débordement d'eau est transporté à travers le tuyau d'évacuation (13) jusqu'à l'évacuation.

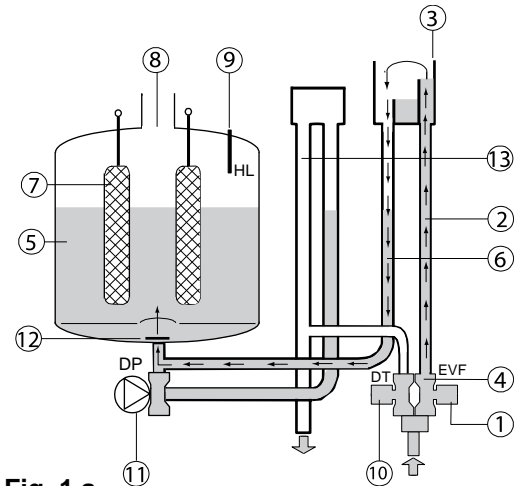


Fig. 1.a

Quand l'eau remplira le ballon, elle atteindra les électrodes (7) et le courant commencera alors à circuler. A mesure que l'eau remplira le ballon, le courant d'augmentera. Tout ceci contrôlé par un transformateur d'intensité connecté à l'un des câbles d'alimentation et placé sur le contrôleur électronique. Une fois le courant souhaité atteint, la vanne de remplissage se fermera (1) et l'eau commencera alors à se réchauffer et à produire de la vapeur. Si l'eau atteint les capteurs de ballon plein (9) ou si le courant augmente trop rapidement, la pompe d'évacuation (11) s'activera pour évacuer de l'eau et réduire la circulation de courant jusqu'à un niveau acceptable. Veuillez noter qu'à, chaque fois que la pompe d'évacuation est activée, la soupape d'équilibrage de température (10) s'ouvrira pour tempérer l'eau chaude jusqu'à 140 °F / 60°C conformément aux normes locales et nationales.

En fonction de la conductivité de l'eau, l'unité actionnera périodiquement la pompe d'évacuation (11) et évacuera un peu d'eau pour réduire la concentration en minéraux. Toutes les 120 heures, l'unité se vidangera automatiquement pour éliminer les sédiments minéraux au fond du ballon. Une passoire (12) présente dans le ballon aide à prévenir l'encombrement de la pompe d'évacuation par des dépôts de minéraux.

Si *Elite Steam* reste allumé mais en défaut, c'est-à-dire sans production de vapeur, le ballon devra être vide pendant plus de 72 heures (3 jours) pour ne pas qu'il y ait d'eau stagnante à l'intérieur.

Sans eau dans le ballon, il n'y a pas de circulation de courant et donc pas de production de vapeur. Les électrodes ne se consomment pas, mais elles peuvent éventuellement être totalement recouvertes de minéraux, auquel cas le ballon devra être remplacé. Le nettoyage du ballon peut entraîner des dommages aux électrodes, et donc annuler leur garantie. Voir la section 7.2.2 maintenance à la page 21.

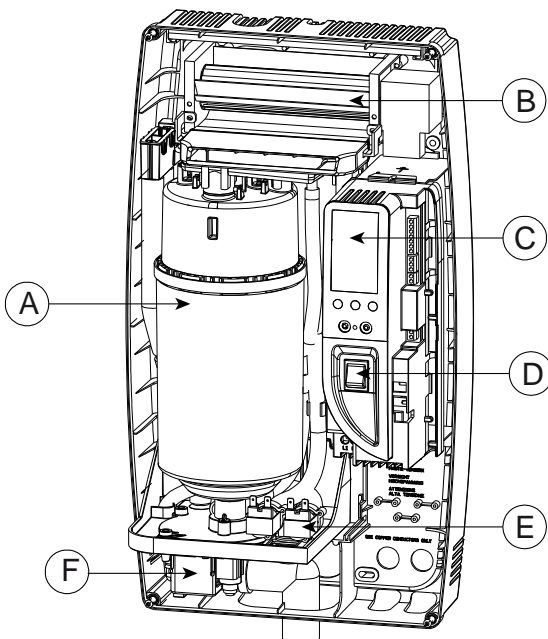


Fig. 1.b

N°	Description
A	Ballon générateur de vapeur
B	Souffleur/collecteur (en option)
C	Interface utilisateur/écran
D	Bouton d'allumage/extinction, de sélection.
E	Soupape de remplissage et d'équilibrage de température
F	Pompe d'évacuation

## 1.2 Durée de Vie du Ballon

### 1.2.1 Éléments de Base du Ballon à Vapeur

Le Ballon à Vapeur est le moteur de l'humidificateur. Quand l'humidificateur fonctionne l'eau s'évapore et les minéraux sont filtrés. La plupart de ces minéraux sont éliminés par la vidange du ballon. Certains se déposent sur les parois du ballon et sur les électrodes du ballon. Quand une section basse des électrodes développe une couche épaisse, le niveau d'eau monte pour exposer une surface propre de l'électrode. Les minéraux recouvrent éventuellement toute la longueur des électrodes d'une couche épaisse et un faible courant électrique peut passer entre elles ce qui entraîne une faible production de vapeur. L'humidificateur peut sentir la faible intensité et affichera le code d'erreur E6 Ballon Épuisé. Il existe plusieurs facteurs qui influencent la durée de vie du ballon.

### 1.2.2 L'Eau

Les caractéristiques de l'eau influencent la durée de vie du ballon et peuvent varier grandement d'un endroit à un autre. La teneur totale en minéraux de l'eau est importante. Les minéraux présents dans l'eau ont autant d'importance. Les conditions de l'eau produisent souvent des dépôts calcaires qui recouvrent éventuellement le fond du ballon jusqu'à ce qu'il ne fonctionne plus. De l'eau contenant beaucoup de silice peut créer une fine couche hautement isolante sur les électrodes et entraînant une durée de vie plus brève du ballon. **Seule de l'eau froide doit être utilisée. Une conductivité de l'eau non adaptée au ballon écourtera la durée de vie du ballon.**

### 1.2.3 Filtration de l'Eau

Une filtration supplémentaire de l'eau entrante n'est pas nécessaire. S'il est toutefois avéré que la teneur en minéraux réduit excessivement la durée de vie du ballon ou que la durée de vie du ballon est insuffisante, l'eau peut être ultérieurement filtrée. Dans la plupart des cas, l'ajout d'un filtre à eau à deux éléments peut améliorer la durée de vie du ballon. Le filtre doit contenir un élément au charbon actif et un filtre à particule.

élément prévu pour 5 microns ou moins. Le micron est une unité de mesure. Le système de filtration doit avoir un débit d'au moins 2 gal/min. Le charbon actif absorbera la plupart des minéraux alors que le filtre à particule bloquera tout matériau granuleux ou sédiment. Il est important de se rappeler que l'augmentation de la durée de vie du ballon sera accompagnée du besoin de remplacer les éléments du filtre avec chaque changement de ballon.

### 1.2.4 Charge d'Humidité et Durée de vie du Ballon

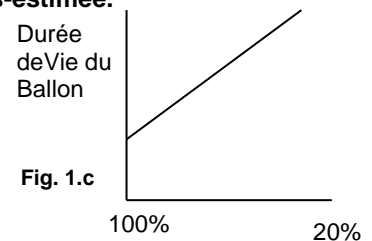
La charge d'humidité requise influence la durée de vie du ballon. Des installations normales où la capacité d'humidité est adaptée ne nécessitent que des périodes intermittentes où la capacité de l'humidificateur doit être totale. Ceci permet au niveau d'eau du ballon d'augmenter uniquement si les segments des électrodes deviennent isolés. Ceci tend à maximiser la durée de vie du ballon.

**Les installations extraordinaires nécessitant un fonctionnement constant à une capacité maximum réduit la durée de vie du ballon.** Le niveau d'eau dans le ballon est en moyenne plus élevé, et les électrodes deviennent totalement isolées plus rapidement. Dans de telles applications, la durée de vie du ballon pourrait être inférieure aux 1000 heures de fonctionnement.

**L'importance de fournir une capacité d'humidification adéquate ne devrait pas être sous-estimée.**

### 1.2.5 Production Maximum

Un autre facteur affectant la durée de vie du ballon est la configuration de la production maximum. Un taux de production plus élevé entraînera une durée de vie plus brève pour le ballon. Pour cette raison, les unités DS-25 et RS-25 sont pré-réglées en usine à 70%. Des réductions supplémentaires de Production Maximum prolongeront la durée de vie du ballon. Voir Figure 1.c.



### 1.2.6 Structures en Cours de Construction

Dans les projets de construction haut de gamme, l'humidification est souvent nécessaire pendant que la structure est en cours de finition. L'humidification est nécessaire pour protéger et stabiliser les planchers, les moulures et décorations en bois. C'est pourquoi la charge d'humidité dans une structure non terminée doit être de cinq à huit fois plus importante qu'une fois terminée. Les humidificateurs Elite Steam devraient fonctionner pendant que la construction est en cours mais une réduction de la durée de vie du ballon doit être attendue et prévue dans le budget. **La bonne pratique veut que les ballons à vapeur soient également remplacés une fois le projet terminé.**

## 1.3 Calcul de la Charge d'Humidité

Étapes pour Déterminer la Charge d'Humidité

- Superficie Totale
- x Hauteur Moyenne Sous Plafond
- X Facteur Selon Tableau 1.2
- x 1.05 pour chaque Cheminée
- Charge d'Humidité en lb/heure
- X 2.88 converti en gallons/par jour
- Charge d'Humidité en Gallons par Jour

\*Basé sur 5 renouvellements d'air par heure.

Tableau 1.2 Livres d'Humidité / Heure / Pieds Carré \*

Temp Int. Air °F	35%	RH Int.%		
		40%	45%	50%
68	0.00015	0.00018	0.00021	0.00024
70	0.00017	0.00020	0.00023	0.00026
72	0.00019	0.00022	0.00025	0.00028

\* Basée sur .5 charges d'air par heure.

## 2. MODÈLES

Deux modèles de base sont disponibles en deux voltages différents. **Les modèles pour conduits nécessitent la sélection d'un kit additionnel.**

Injection de Vapeur par Conduit



Fig. 2.a

Humidification d'Ambiance



Fig. 2.b

### LISTE DES MODÈLES

NUMÉRO DE PIECE	DESCRIPTION	PIÈCES INCLUSES
RS 15P Fig. 2.b	Humidification d'ambiance, 15 gallons par jour (5.5 Lb par heure) 115-120v	Humidificateur Complet, hygromètre GFX3, code vanne, raccord de remplissage en eau, tuyauterie pour alimentation en eau
RS 25 Fig. 2.b	Humidification d'ambiance, 35 gallons par jour (12 Lb par heure) 220-240v	Humidificateur Complet, hygromètre GFX3, code vanne, raccord de remplissage en eau, tuyauterie pour alimentation en eau
DS 15P Fig. 2.a	Injection de vapeur par conduit 15 gallons par jour (5.5 Lb/heure) 115-120v, Humidificateur seul, kit de montage requis	Humidificateur seul, <b>kit de montage requis</b>
DS 25 Fig. 2.a	Injection de vapeur par conduit 35 gallons par jour (12 Lb par heure) 220-240v Humidificateur seul, kit de montage requis	Humidificateur seul, <b>kit de montage requis</b>
DMNKIT (non représenté)	Kit de montage pour conduits	Tuyau à vapeur de 8 pieds, embouts, hygromètre GFX3, code vanne, raccord de remplissage en eau, tuyau de condensat, tuyauterie d'alimentation en eau, interrupteur à pression d'air.
RMB 15 (non représenté)	Kit de montage ventilation Kit pour DS 15	Tuyau à vapeur de 12 pieds, hygromètre GFX3, code vanne, tuyau de condensat, raccord de remplissage en eau, tuyau d'alimentation en eau, et boîtier mural avec souffleur de 120v et grille.
RMB 35 (non représenté)	Kit de montage ventilation kit pour DS 25	Tuyau à vapeur de 12 pieds, hygromètre GFX3, code vanne, tuyau de condensat, raccord de remplissage en eau, tuyau d'alimentation en eau, et boîtier mural avec souffleur de 240v et grille.
EDMK4 (non représenté)	Kit de montage Conduit Économique	Tuyau à vapeur de 4 pieds, tuyau de condensat de 5 pieds, raccord de remplissage, interrupteur à pression d'air (Hygromètre non inclus)

## 3. INSTALLATION

### 3.1 Mise en place

L'**Elite Steam** a été conçu pour un montage au mur et, étant un humidificateur atmosphérique à vapeur, il devrait être placé près de l'endroit où la vapeur sera utilisée, pour réduire la longueur du tuyau à vapeur (et la quantité de condensat). **La zone autour de l'unité doit être dégagée pour la maintenance et la sécurité.**

### 3.2 Montage

#### 3.2.1 Retrait du capot frontal

Le capot frontal est fermé par quatre vis situées aux quatre coins de l'unité. Utiliser un tournevis Phillips pour retirer les quatre vis du capot. Puis tirer simplement le capot frontal de la partie arrière de l'unité. Le retourner dans le sens inverse.

Faire attention à ne pas serrer excessivement les vis.

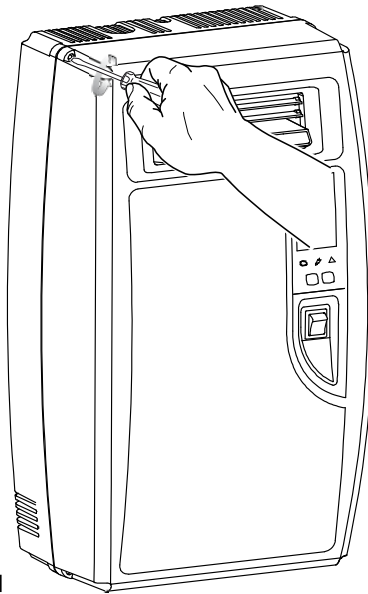


Fig. 3.d

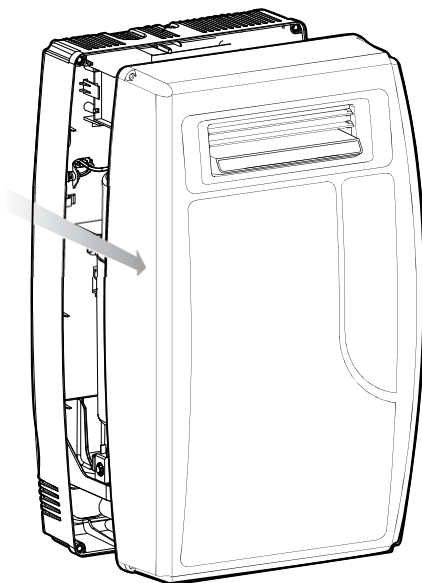


Fig. 3.e

Injection de vapeur par

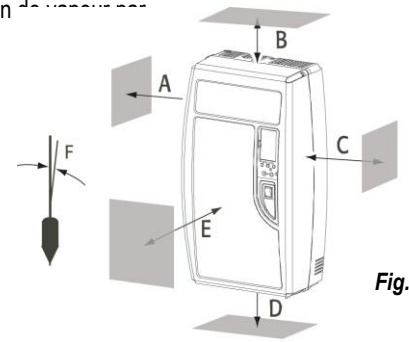


Fig. 3.a

	Millimètres	Pouce
A	(150 mm)	6"
B	(150 mm)	6"
C	(150mm)	6"
D	(150 mm)	6"
E	(600 mm)	24"
F	max. 0.2°	

Tab. 3.a

#### Humidification

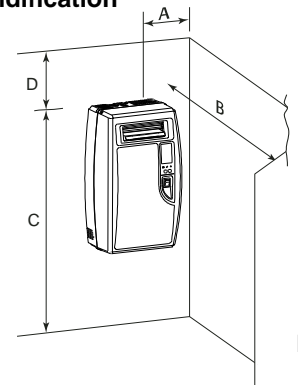


Fig. 3.b

	Millimètres	Pouce
A	150 mm	6"
B	1800 mm	72"
C	1800mm	72"
D	600 mm	24"

Tab. 3.b

#### Dimensions Unité: Unités Conduit et

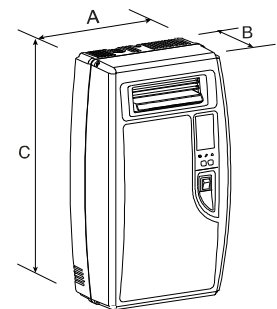


Fig. 3.c

	Millimètres	Pouces
A	341 mm	13.5"
B	204 mm	8.1"
C	600 mm	23.7"
	Kilogrammes	Livres
Poids à vide	8kg	18 lb
Poids emballé	10kg	22 lb
Poids installé avec eau	12kg	26 lb

Tab. 3.c

### 3.2.2 Fixation au mur

Percer le mur en suivant le modèle de perçage fourni ; fixer fermement Elite Steam au mur à l'aide des vis et des attaches fournies.

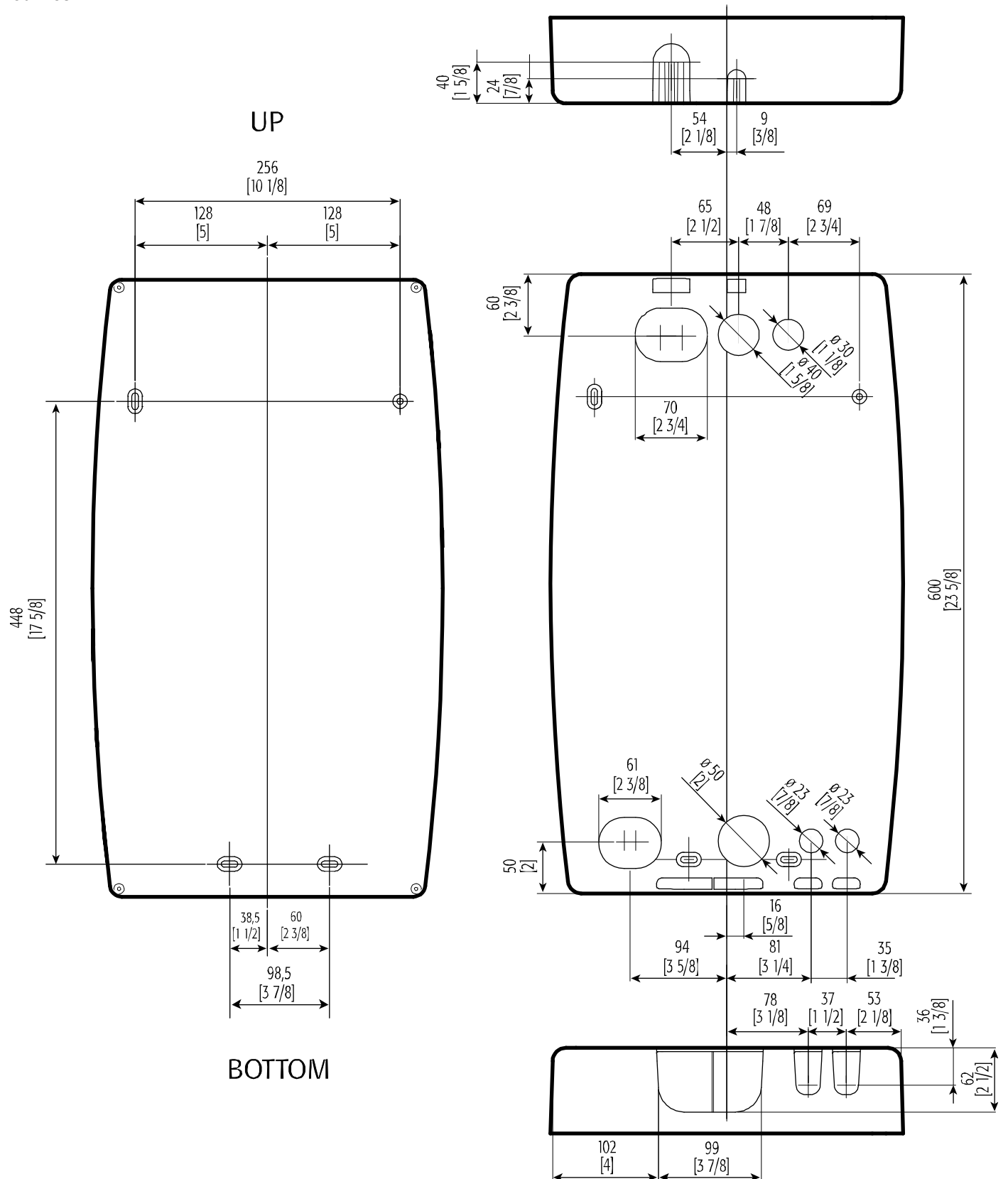


Fig. 3.f

### 3.3 Plomberie

#### 3.3.1 Caractéristiques de l'Eau

L'humidificateur doit être alimenté avec de l'eau ayant les caractéristiques suivantes:

- pression comprise entre 20psi et 110psi et 0.1 et 0.8 MPa, (1 et 8 bars);
- température comprise entre 33°F et 104°F ou 1°C et 40°C;
- débit minimum de 0.45 L/min ou 0.12gal./min;
- dureté inférieure à 40 °fH (égal à 400 ppm<sup>3</sup> comme CaCO<sub>3</sub>), conductivité: de 125 à 1250 µS/cm;
- absence de composants organiques.

les caractéristiques de l'eau d'alimentation doivent respecter les limites suivantes :

VALEURS LIMITES POUR LA TENEUR EN SEL DE L'EAU

	Unités	Min	Max
Ions hydrogène (pH)		7	8.5
Conductivité spécifique (R,20°C)	µS/cm	300	
Éléments solides totaux dissous (cR)	mg/l	(*)	(*)
Résidu sec à 180°C	mg/l	(*)	(*)
Dureté totale	mg/l CaCO <sub>3</sub>	150	400
Dureté temporaire	mg/l CaCO <sub>3</sub>	=	200
Fer + Manganèse	mg/l Fe + Mn	=	0.2
Chlorures	ppm Cl	=	30
Chlorures	mg/Si <sub>2</sub> O	=	20
Résidu de chlore	mg/l Cl-	=	0.2
Sulfate de Calcium	mg/l CaSO <sub>4</sub>	=	100

Tab.3.d

VALEURS LIMITES POUR L'EAU NORMAL

	Unités	Min	Max
Ions hydrogène (pH)		7	8.5
Conductivité spécifique (R,20°C)	µS/cm	125	500
Éléments solides totaux dissous (cR)	mg/l	(*)	(*)
Résidu sec à 180°C	mg/l	(*)	(*)
Dureté totale	mg/l CaCO <sub>3</sub>	0	200
Dureté temporaire	mg/l CaCO <sub>3</sub>	=	150
Fer + Manganèse	mg/l Fe + Mn	=	0.2
Chlorures	ppm Cl	=	20
Chlorures	mg/Si <sub>2</sub> O	=	20
Résidu de chlore	mg/l Cl-	=	0.2
Sulfate de Calcium	mg/l CaSO <sub>4</sub>	=	60

Tab.3.e

(\*) Valeurs dépendantes de la conductivité spécifique: en général:  $cR \sim 0.65 \cdot \sigma R$ , 20°C;  $R180 \sim 0.9 \cdot \sigma R$ , 20°C

Notes: Il n'existe aucune relation démontrée entre dureté et conductivité de l'eau.

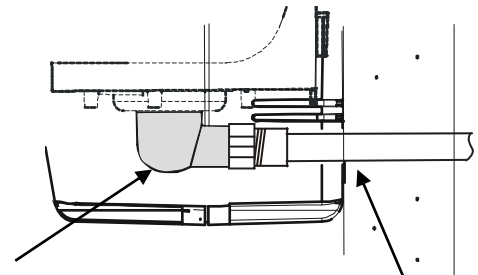
**La Conductivité de L'Eau doit être associée aux spécifications du ballon à vapeur.** Vérifier ou connaître la conductivité de l'eau du site proposé avant l'installation. Remplacer le ballon à vapeur avant le démarrage si nécessaire. Consulter le tableau 3.f.

Modèles ELITE STEAM	Conductivité µS/cm	Ballon à Vapeur
DS25, RS25, DS25LC, RS25LC, DS35, RS35	300-1250	35-14
DS25, RS25, DS25LC, RS25LC, DS35, RS35	125-500	35-15
DS15P, RS15P, DS15, RS15	125-1250	15-14
DS20A, RS20A	300-1250	20-14A
DS20A, RS20A	125-500	35-14

Tab.3.f

**Les types d'eau suivants ne sont pas acceptables:**

1. Eau adoucie car elle pourrait entraîner la formation de mousse, la corrosion des électrodes et la réduction de la durée de vie du ballon.
2. Eau contenant des désinfectants ou des produits anticorrosion, car ils sont potentiellement irritants.
3. Eau industrielle, eau pour chaudière ou eau pour circuits de refroidissement.
4. Toute eau potentiellement contaminée par des produits chimiques ou bactériologiques.
5. Eau réchauffée.



Sortie de l'eau d'évacuation

Fig. 3.g

Tuyau d'extension

#### 3.3.2 Raccordement au Réseau d'eau

Nous recommandons le raccordement entre la vanne de remplissage et la ligne d'alimentation en eau à l'aide d'un tuyau souple capable d'absorber les coups de bélier de façon à éviter tout dommage à la vanne de remplissage. La ligne d'eau doit passer par l'arrière ou par le bas de l'unité. Avec les tuyaux en PVC, un support doit être utilisé pour éviter la chute des tuyaux et les fuites. Le raccord est placé ensuite à l'entrée de la vanne de remplissage située en bas de l'humidificateur à l'aide d'un raccord coudé 3/4". **Notez qu'un filtre est présent dans la vanne de remplissage au-dessous de l'unité, qui nécessitera un nettoyage périodique, donc s'assurer que la zone est libre pour pouvoir y accéder.**

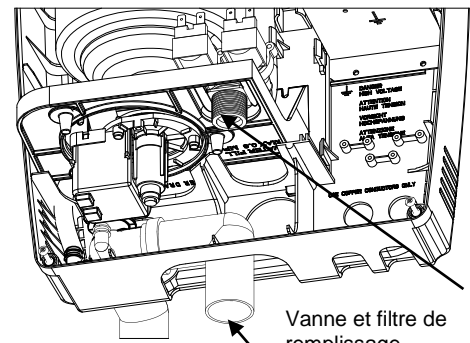


Fig. 3.h

Vanne et filtre de remplissage

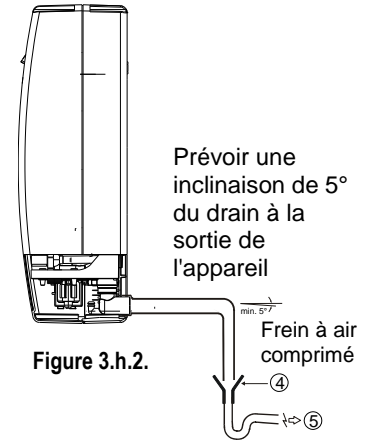
Évacuation d'eau

### 3.3.3 Évacuation de l'Eau

L'Elite Steam requiert également un raccordement à une évacuation. La ligne d'évacuation doit sortir de l'arrière ou du dessous de l'unité par l'intermédiaire du raccord coudé fourni. La ligne d'évacuation peut être de 1-1/4" en PVC, CPVC ou polypropylène. La ligne d'évacuation n'est pas collée ni accrochée à l'humidificateur donc elle doit se soutenir seule. Un collier devrait être utilisé. L'Elite Steam inclut une soupape de remplissage et d'équilibrage de température qui s'active dès que la pompe d'évacuation fonctionne et évacue de l'eau froide dans la ligne d'évacuation pour assurer que la température de l'eau d'évacuation ne dépasse pas les 60°C ou 140°F.

Les caractéristiques de l'eau d'évacuation:

- Débit d'Évacuation – Voir Spécifications Techniques (Section 8 / p.24)
- Raccord 32mm ou 1 1/4"
- Température 60°C ou 140°F



NOTES: La ligne d'évacuation doit être coincée sous l'unité pour éviter que la vapeur flash se condense dans le boîtier de l'unité.

### 3.3.4 Raccords d'Évacuation

Lors de l'utilisation d'une sortie d'évacuation arrière à travers du placoplâtre, nous vous suggérons d'utiliser un tuyau d'extension de type SJ (voir Fig. 3.f). Lors de l'utilisation d'une sortie d'évacuation inférieure, fixer le raccord à 90° inclus à la sortie d'évacuation. La sortie d'évacuation pourrait être tournée. Fixer ensuite une douille de 1 1/4" pour raccorder le tuyau d'évacuation.

**MISE EN GARDE IMPORTANTE:** Le tuyau d'évacuation doit être libre sans contre-pression. Nous vous recommandons d'utiliser un système externe anti-inondation pour protéger contre les pannes des circuits hydrauliques externes.

### 3.3.5 Pompe à condensats

Lors de l'emploi d'une pompe à condensats, assurez-vous que la pompe sélectionnée peut traiter un débit de 7,0 gallons/min pendant 10 à 15 secondes.

## 3.4 Distribution de la Vapeur

### 3.4.1 Injection de vapeur en conduit (Kit additionnel requis)

La pression statique maximale dans le conduit est de 2 in WC.

Les modèles à injection en conduit **Elite Steam** inclut une buse plastique d'injection pour conduit. Voir Fig. 3.i

	Millimètres	Pouces
A	31.5 mm	1.24"
B	50 mm	1.96"
C	56 mm	2.20"
D	57.5 mm	2.26"
E	100 mm	3.93"
F	∅ 8 mm	∅ 0.31"
G	∅ 22 mm	∅ 0.86"
H	∅ 30 mm	∅ 1.18"
I	12 or 22 mm	0.47 or 0.87"

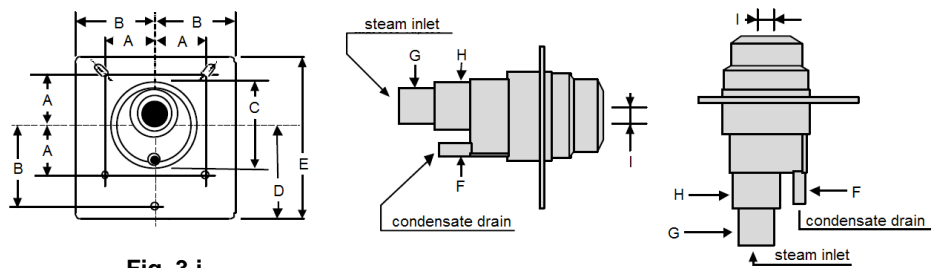


Fig. 3.i

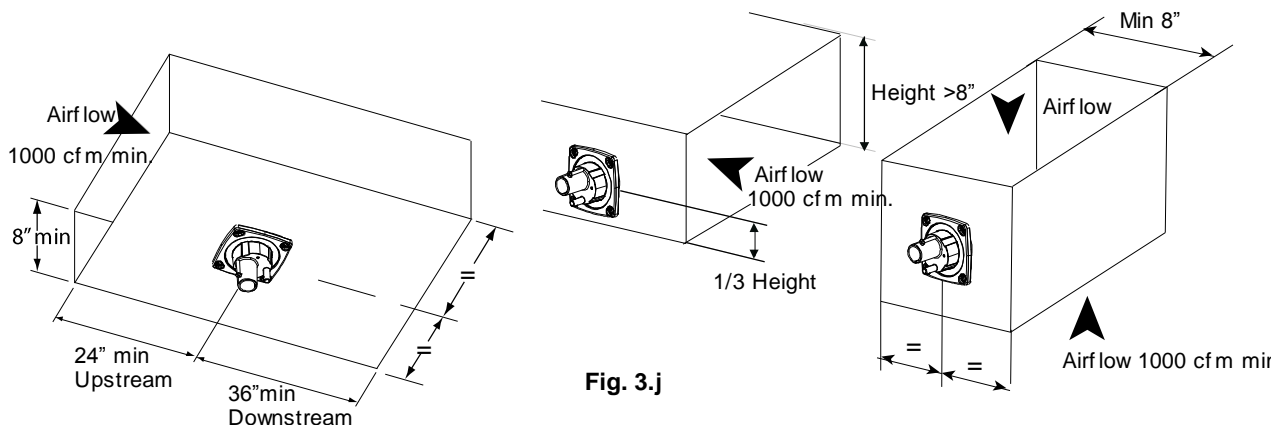


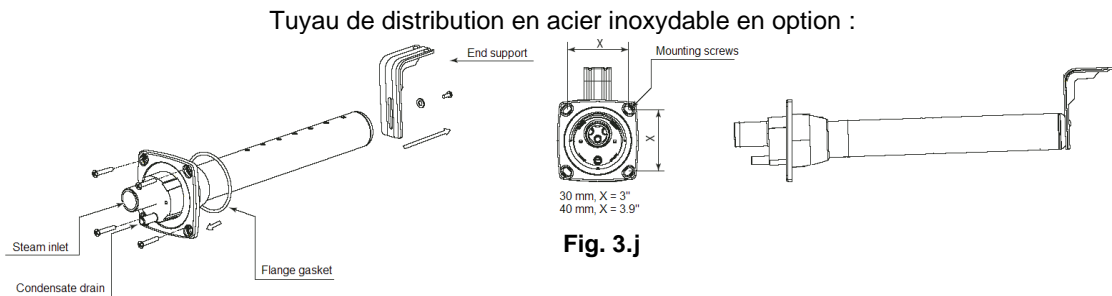
Fig. 3.j

**IMPORTANT : N'INSTALLEZ PAS le système dans un conduit ayant une isolation par l'intérieur.**

### 3.4.2 Distribution en Conduit (**Kit additionnel requis**)

Si une buse de distribution de la vapeur doit être utilisée, sélectionner un endroit accessible du conduit, laissant un conduit droit (pas de coude ni d'obstacle) d'au moins 36" après l'endroit où la buse est installée et les espacements peuvent être maintenus conformément aux schémas suivants. Voir Fig.3.j pour monter la buse vapeur, couper ou percer un trou de 2-1/2" dans le conduit. Appliquer du mastic sur la plaque de montage de la buse. Fixer la buse au conduit à l'aide de 4 vis à tôle #10 (fournies). La buse doit être horizontale ou verticale avec la sortie du condensat en bas.

ATTENTION: Laisser 1 M ( 3 pieds ) de conduit droit en aval des tuyaux et buses de distribution pour l'absorption de la vapeur. Toujours laisser 0.6M (2 pieds) de conduit droit en amont des tuyaux de distribution pour l'évaporation de la vapeur. Une circulation d'air turbulente pourrait nécessiter des longueurs supplémentaires.

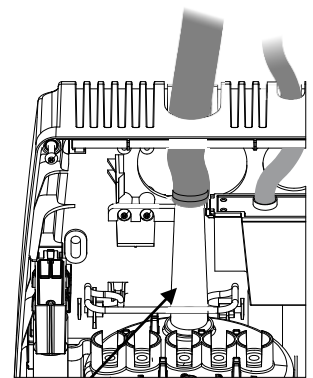


Pour installer les tuyaux de distribution:

1. Faire un trou rond du côté du conduit pour aligner le tuyau à vapeur et le retour de condensat.
  2. Appliquer un joint silicone sur la plaque de montage et insérer le tuyau dans le trou et fixer à l'aide de vis à tôle. Voir Fig. 3.k
  3. Connecter les buses vapeur et le condensat à l'aide des colliers fournis.
- (Notes: les équerres de soutien ne sont fournies que pour des distributeurs de 36" ou plus.)

### 3.4.3 Raccordement Retour de Condensat

Le tuyau de retour du condensat depuis la buse, etc. doit être coincé. Enrouler le tuyau dans une boucle vertical et le fixer en-dessous de la buse, etc. Cette fixation empêche que la vapeur ne soit relâchée dans le caisson. Le bout du tuyau peut passer à travers le trou en haut de l'humidificateur et être inséré dans le trou situé en haut de la coupe de remplissage. Le trou peut être élargi pour s'adapter. Voir Fig.3.l.



**Fig. 3.l**

25-12 RACCORD DE TUYAU DU BALLON À VAPEUR

### 3.4.4 Tuyaux à Vapeur

**MISE EN GARDE IMPORTANTE: QUATRE-VINGT DIX POURCENT (90%) DES PROBLÈMES DE FONCTIONNEMENT PROVIENNENT D'UNE MAUVAISE TUYAUTERIE À VAPEUR DE L'UNITÉ D'HUMIDIFICATION AUX TUYAUX DE DISTRIBUTION EN CONDUIT.**

Pour éviter ces problèmes, rappelez-vous d'une chose simple lors de l'utilisation du tuyau à vapeur : la vapeur circule naturellement en montant, et le condensat naturellement en descendant. Utiliser un tuyau ou une tuyauterie à vapeur pour éviter que des pliures, des angles ou des zones basses ne rassemble ou ne restreigne le flux de vapeur vers le tuyau de distribution, ou le flux de condensat vers l'humidificateur. Installer un support pour éviter les courbes du tuyau.

Les schémas suivants indiquent quelques lignes directrices. En cas de situation incertaine, contacter l'usine pour des instructions.

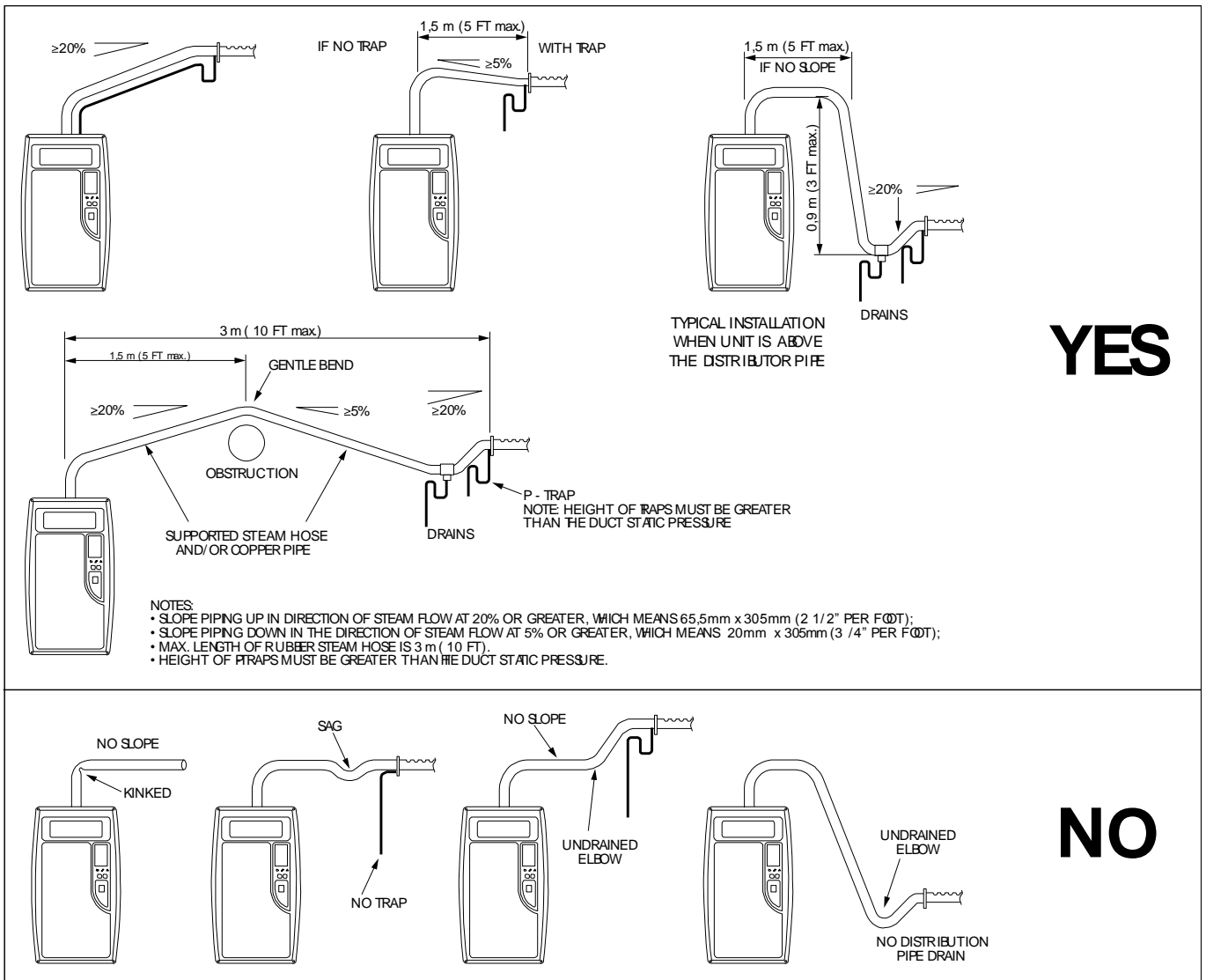


Fig. 3.m

**ATTENTION: La longueur maximum des tuyaux souples à vapeur doit être de 4m. (12 pieds). La tuyauterie étanche en cuivre peut avoir jusqu'à 6m. (20 pieds) de longueur. Dans tous les cas, éviter les pliures et les angles. Utiliser 2 coudes de 45° au lieu d'1 à 90°.**

Diamètre interne du tuyau = 7/8" (22 mm) ; Diamètre externe du tuyau = 1-1/4" (30 mm).

### 3.4.4 Souffleur à Distance

Les Souffleurs à Distance sont utilisés pour distribuer la vapeur directement dans la pièce. Les schémas montrent les **distances minimum recommandées** pour éviter que le flux d'air humidifié ne vienne en contact direct avec les personnes, l'éclairage, les dispositifs électriques, et les surfaces avant que la vapeur n'ait été totalement absorbée par l'environnement. Pour plus de détails sur l'assemblage, les raccordements électriques et l'utilisation d'un Souffleur à Distance, lire le manuel d'utilisation spécifique.

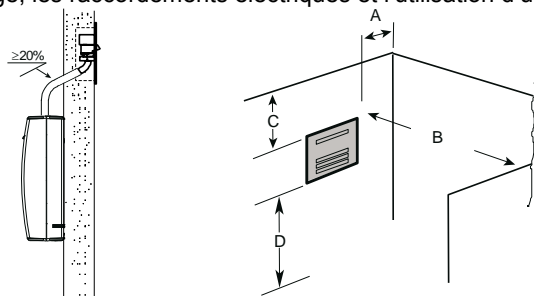


Fig. 3.n

	Millimeters	Inch
A	150 mm	6"
B	1800 mm	72"
C	600 mm	24"
D	2100 mm	84"

Tab. 3.g

### 3.5 Câbles d'alimentation

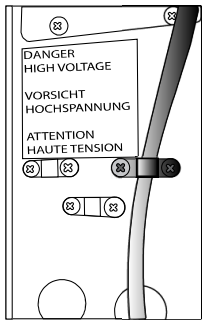


Fig. 3.o

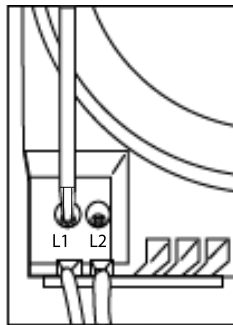


Fig. 3.p

Contrôler que la tension de l'alimentation électrique corresponde à la valeur indiquée sur la plaque à l'intérieur du panneau électrique.

Insérer les câbles électriques et de terre dans le compartiment électrique en utilisant les cavaliers fournis, et les connecter aux bornes. Un sectionneur porte-fusibles externe doit être installé. Voir Fig. 3.o

**Tous les câbles doivent être conformes aux normes électriques nationales et locales.**

**NOTE:** pour éviter toute interférence indésirable, il faut maintenir les câbles d'alimentation séparés de tout câblage de commande.

**NOTE:** La tolérance autorisée sur la tension du secteur = -15% to +10%.

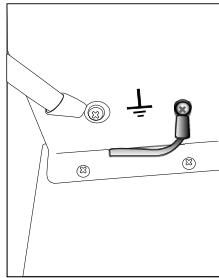


Fig. 3.q

Connecter les câbles d'alimentation au bornier placé en bas à gauche du module de contrôle; la polarité n'a pas d'importance.

Voir Fig. 3.p

Connecter le câble de terre à la terre de l'unité, placée juste derrière le bornier des câbles d'alimentation. Voir Fig. 3.q

Modèle	Alimentation (monophasée)	Sortie vapeur (lbs/h)	Sortie vapeur (Kg/h)	PUISSANCE (kW)	COURANT (A)	CÂBLES ÉLECTRIQUES EXTERNES	SECTIONNEUR EXTERNE (A) OU DISJONCTEUR
DS15	110Vac 50/60Hz	5.5	2.5	1.80	16.40	AWG10	25
RS15	110Vac 50/60Hz	5.5	2.5	1.80	16.40	AWG10	25
DS35	230Vac 50/60Hz	12	5.4	3.89	16.95	AWG10	25
RS35	230Vac 50/60Hz	12	5.4	3.89	16.95	AWG10	25

(Étant donné que 25 a disjoncteurs ne sont pas facilement disponibles sur le marché canadien, utiliser un disjoncteur de 30 a DP)

### 3.6 Câbles de commande

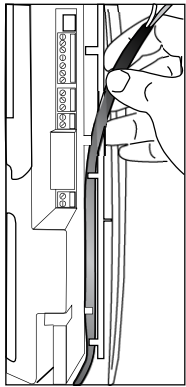


Fig. 3.r

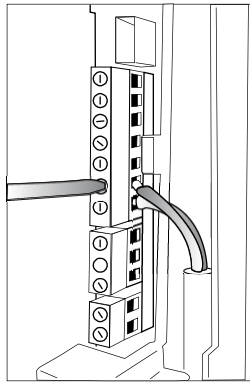


Fig. 3.s

Elite Steam permet la connexion de tout hygrostat simple ou automatique, et de dispositifs de sécurité tels que hygrostat à limite réglable, interrupteur de débit d'air, et allumage/extinction à distance.

L'humidificateur fonctionne par la fermeture d'un hygrostat mécanique H, ou par la fermeture d'un contact à distance sans tension, ou par une combinaison des deux. Le plus commun est la combinaison d'un hygrostat et d'un contacteur à pression. Les schémas dans les figures représentent les connexions à faire au bornier, en cas de:

Fig. 3.u Opération effectuée par une simple habilitation de contact;  
Fig. 3.t Opération contrôlée par un hygrostat mécanique externe;  
Fig. 3.v Combinaison d'un hygrostat et d'un contacteur à pression (le plus courant).

Contact AB-AB:

- fermé: humidificateur apte à produire de la vapeur (la production démarre quand l'hygrostat se ferme) ;
- ouvert: la production de vapeur s'arrête immédiatement.

Le contact à distance on/off est en général une série de contacts libres de potentiel qui permet à l'humidificateur de produire de la vapeur quand ils sont tous fermés, indiquant que l'unité de traitement d'air est prête à acceptée de la vapeur. Connecter le contacteur à pression 12500 Pressure NO et les bornes F aux contacts AB-AB

Par exemple,

- le contact ventilation se ferme quand la ventilation est en marche;
- le contact de la bobine de refroidissement se ferme quand la bobine est éteinte;
- etc.

Contact IN-GND:

- fermé: la production de vapeur démarre sur le contact AB-BA est fermé
- ouvert: la production de vapeur s'arrête au bout de 5 s.

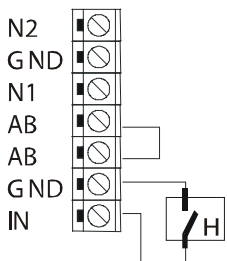


Fig. 3.t

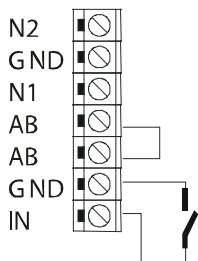


Fig. 3.u

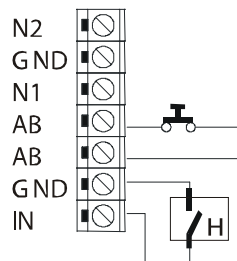


Fig. 3.v

### 3.6.1 Connecter l'Hygrostat GFX3 pour l'Opération On/Off:

- Retirer l'hygrostat de la base, serrer la base cloisonnée en haut et en bas. Pour retirer l'hygrostat du mur, lever l'hygrostat et le retirer du mur en le tournant.
- Avant le montage au mur, retirer le joint noir en mousse.
- Avant le montage du conduit de retour d'air, retirer la pièce de l'orifice
- En cas de montage sur le conduit de retour d'air, acheminer les câbles entre l'hygrostat et la base.
- Monter le capteur à l'extérieur de la maison. Ne pas monter côté Sud ni exposer aux rayons du soleil. Placer à au moins 4 pieds de toute bouche d'évacuation. Dans une entrée d'air, placer à 1 pied ou moins du mur extérieur. Placer à au moins 6" au-dessus de toute neige possible. Ne pas orienter le câble de détecteur à proximité des câbles d'alimentation.
- Connecter les bornes GND-IN sur l'humidificateur aux bornes HUM de l'Hygrostat GFX3. Connecter les bornes GND-24V aux bornes ACL-ACN de l'Hygrostat GFX3. voir Fig.3.x

### 3.6.2 Opération de Modulation

Connecter une entrée de modulation externe 0...10 Vcc entre les bornes IN-GND. Connecter ensuite des Interrupteurs de Sécurité (limiteur, interrupteur de flux d'air, on/off à distance) en série aux bornes AB-AB. En l'absence d'interrupteurs de sécurité, il faut installer un dispositif de pontage entre AB-AB. NE PAS appliquer de tension entre AB-AB.

### 3.6.3 Connecter l'hygrostat GFX50 pour l'Opération de Modulation

Pour sélectionner le signal de modulation voir Fig. 3.y Connecter l'alimentation électrique aux bornes G et G O de GFX50, en utilisant la borne GND et 24V sur l'Elite Steam. **À noter que l'OPÉRATION DE MODULATION nécessite un changement de type de signal. Voir SECT. 5.1.1 page 19.**

Connecter un signal externe au GFX50 en utilisant la borne IN de l'Elite Steam et AOUT dans GFX50. Voir le schéma ci-dessous.

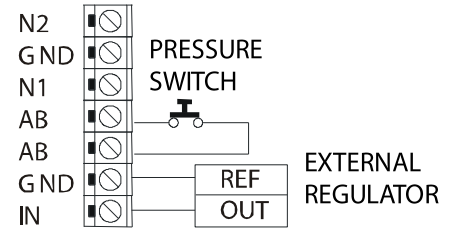


Fig. 3.w

HYGROSTAT GFX3

HYGROSTAT GFX50

RELAIS DE SÉCURITÉ CONDITIONNEUR D'AIR  
FURNACE BLOWER OPERATION

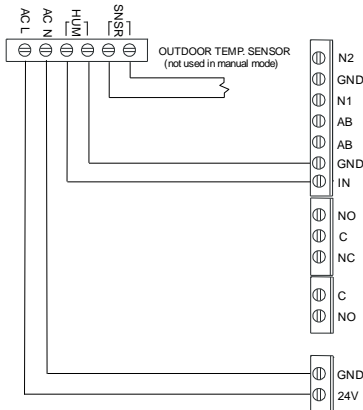


Fig. 3.x

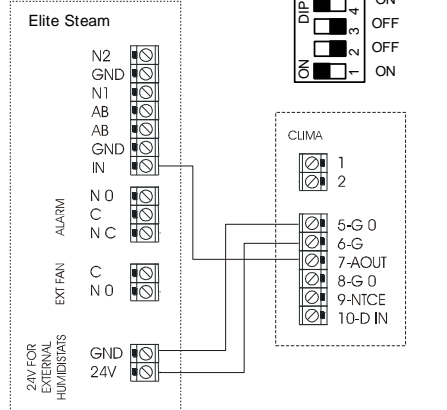
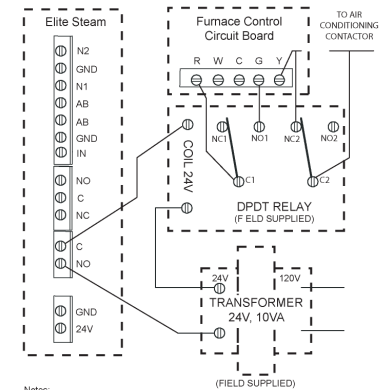


Fig. 3.y



Notes:  
1. External transformer necessary because onboard transformer not sufficient to power auxiliary relay

Fig. 3.z

### 3.6.4 Interrupteurs de Sécurité et Limiteurs

Retirer le shunt entre les bornes AB-AB et connecter les limiteurs, interrupteurs de débit d'air, contacteur à pression 12500, et les contacts à distance en série aux bornes AB-AB; autrement, si aucun contact sec n'est disponible, le shunt doit rester en place entre les bornes AB-AB. NE PAS appliquer de tension entre AB-AB.

Enfiler le câble de commande à travers le bas de l'unité, et le cavalier (voir photo en haut de la page précédente), puis du haut du côté du module de contrôle en haut à droite des borniers. Connecter le câble de commande au bornier de commande placé en haut à droite du module de commande.

### 3.6.5 Relais de Sécurité Conditionneur d'Air

Relais de sécurité auxiliaire va-et-vient bipolaire : Utiliser cette méthode dans les situations suivantes:

- Pour éviter que le conditionneur d'air ne fonctionne quand il y a une demande d'humidité. Le relais va-et-vient bipolaire ouvrira le circuit "Y" et fermera le circuit "G" pour le fonctionnement en cas de demande d'humidité. La demande d'humidité passe avant la demande de refroidissement.
  - Dans les systèmes utilisant un thermostat où G et Y sont un seul circuit. Le relais va-et-vient bipolaire permettra au souffleur de fonctionner sans retour de courant pour le compresseur.
- Ne pas utiliser cette méthode lorsque l'humidification et le refroidissement sont souhaités en même temps. Utiliser un hygrostat limiteur pour éviter la condensation dans les conduits. L'hygrostat doit être sur OFF durant la saison de conditionnement de l'air si l'humidification n'est pas souhaitée.

Pour une vitesse variable des systèmes CC, s'adresser au fabricant de la chaudière.

### 3.7 Branchements des Câbles:

Bornes	Fonctions	Spécifications électriques
L1-L2-MISE A TERRE	Connexions d'alimentation électrique et de mise à terre	Alimentation électrique 110 VAC monophasée 50-60Hz 1.86kW ou 230VAC monophasée 50-60Hz 4.05kW
KEY	Porte de programmation	Connexion à la porte de Programmation ou superviseur
AB-AB	Entrée d'habilitation à distance	Imposer un contact NO externe ; Rmax=300 Ohm; Vmax=33 Vcc; Imax=6mAdc; humidificateur habilité = contact fermé
IN-GND	Entrée signal de contrôle	Si programmé 0...0,10V: Impédance d'entrée 10 kohm Si programmé ON-OFF: Vmax 33Vcc Imax = 5mA Rmax = 300 Ohm
NF-F-NO	Contact alarme NF Contact commun alarme Contact alarme NO	250V; 8 Amp max. avec charge résistive; 4 Amp max. avec charge inductive
NO-F	Relais ventilateur externe	250V; 8 Amp max. avec charge résistive; 4 Amp max. avec charge inductive
24GND	Alimentation pour hygrostat externe	Alimentation électrique pour hygrostat externe 24 Vac; 2 Watt

#### 3.7.1 Schéma de câblage du contrôleur

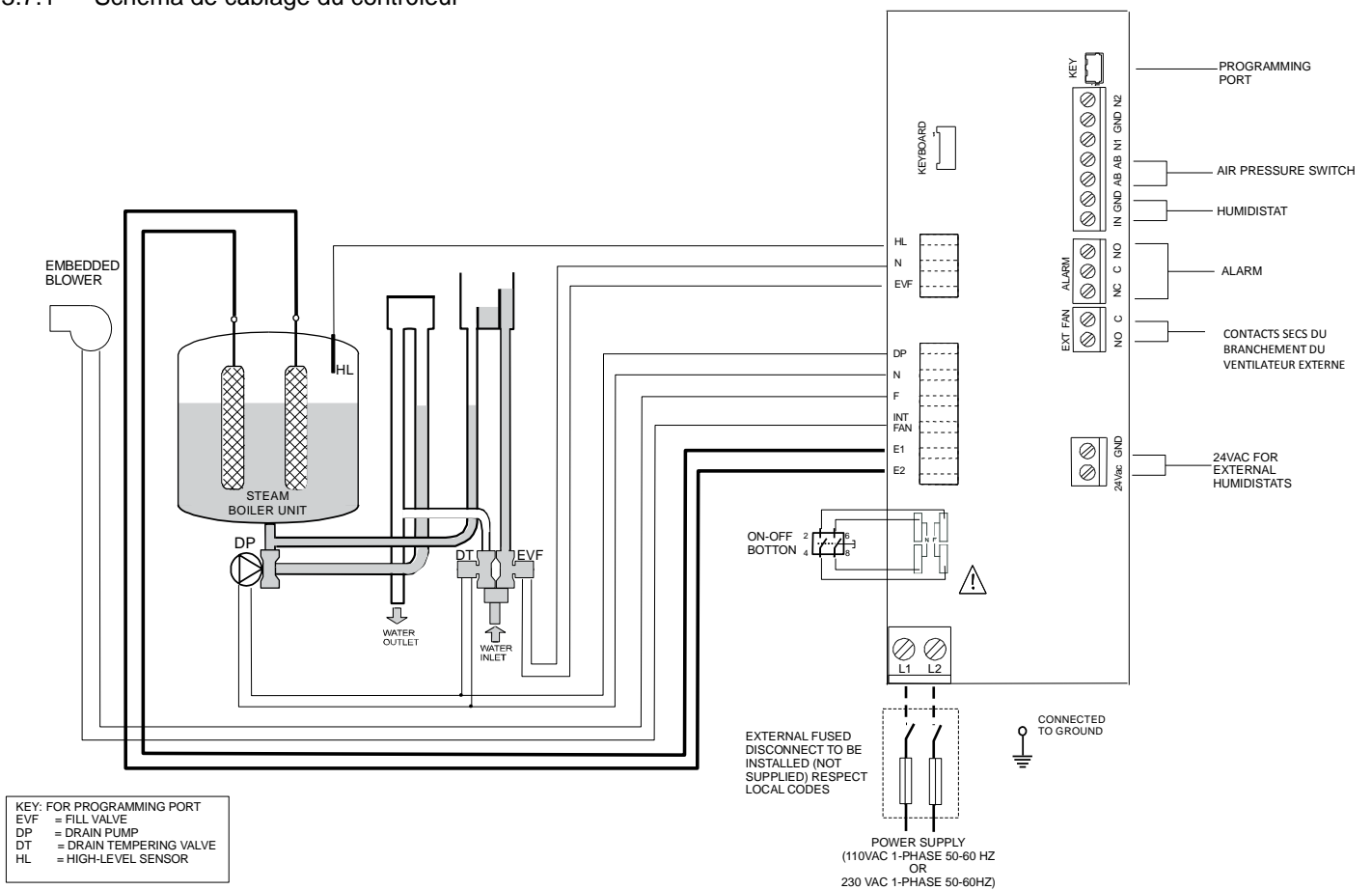


Fig. 3.z.1

## 4. DÉMARRAGE

### MISES EN GARDE IMPORTANTES:

3. Avant le démarrage, assurez-vous que l'humidificateur soit en parfait condition, qu'il n'y a pas de fuites d'eau et que les parties électriques sont sèches;
  4. Ne pas brancher l'alimentation électrique si l'humidificateur est endommagé ou mouillé même seulement en partie!
- Après avoir terminé l'installation, nettoyer le tuyau d'alimentation pendant 10 minutes environ en faisant couler l'eau directement dans l'évacuation, sans raccorder la tuyauterie à l'humidificateur; ceci éliminera les éventuelles incrustations et résidus qui peuvent causer la formation de mousse pendant l'ébullition.

### 4.1 Liste de Contrôle avant Démarrage

Avant le démarrage de l'humidificateur, les éléments suivants doivent être vérifiés:

- L'eau est raccordée, la ligne a été rincée, et les vannes extérieures sont ouvertes.
- L'évacuation est raccordée, coule dans une évacuation ouverte, et a un purgeur sous l'unité.
- L'électricité est raccordée conformément aux instructions, aux normes locales et aux étiquettes présentes sur l'unité.
- Les fusibles d'alimentation sont installés et intacts.
- Tout le câblage de commande est effectué et testé.
- L'interrupteur de débit d'air est câblé sur ouvert pour la perte de débit d'air.
- L'hygrostat limiteur est câblé sur ouvert pour humidité supérieure à la valeur de consigne.
- Les câbles de l'unité ont été contrôlés pour vérifier qu'ils sont bien serrés, ainsi que tous les autres connecteurs, pour le transport.
- Les tuyaux à vapeur fonctionnent correctement sans courbe ni nœud et sont inclinés conformément au manuel.
- Les tuyaux à condensat fonctionnent correctement sans courbe ni nœud et sont inclinés conformément au manuel.

### 4.2 Le Contrôleur Elite Steam

Le contrôleur *Elite Steam* est équipé d'un écran polyvalent qui rend les informations sur le fonctionnement du système visibles en un clin d'œil:

1.	Affiche la capacité nominale en %
2.	Maintenance
3.	Affiche l'ampérage (par défaut)
4.	Vapeur en cours de production
5.	Remplissage du ballon
6.	Formation de mousse
7.	Présence d'eau à l'intérieur du ballon
8.	Vidange du ballon
9.	Les Voyants indiquent: allumé (jaune), en cours de fonctionnement (vert) et alarmes (rouge)
10.	Bouton de vidange pour vidange manuelle du ballon et de confirmation des valeurs de configuration
11.	Touche de départ/arrêt
12.	Touche "Reset" pour réinitialiser les alarmes et les paramètres d'accès
13.	Niveau de sortie : 33%, 66%, 100%
14.	Le relais de ventilation est activé


L'Elite Steam est maintenant prêt à fonctionner.

### 4.3 Démarrage de l'Elite Steam

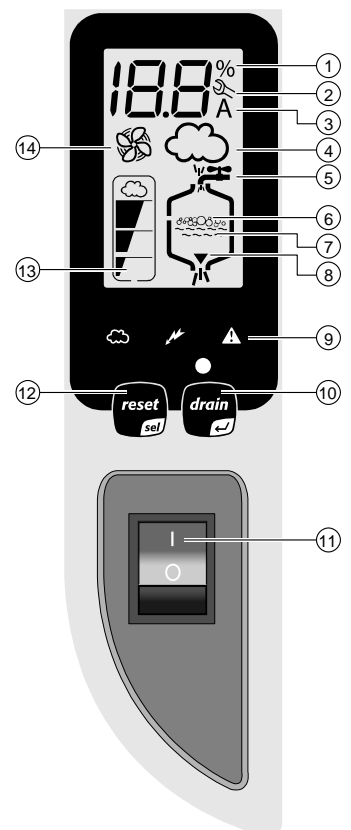
- Vérifier que l'alimentation externe est allumée.
- Presser la partie supérieure du bouton On/Off de sorte que la partie I soit enclenchée. Le voyant jaune d'allumage doit s'allumer. L'Elite Steam est maintenant prêt à fonctionner.
- Lors d'une demande d'humidité, Elite Steam fermera ses relais d'alimentation et enverra du courant aux électrodes dans le générateur de vapeur en plastique. Le voyant vert de fonctionnement s'allumera, indiquant que l'opération a commencé.

### 4.4 Démarrage avec un nouveau ballon

Lors d'un démarrage avec un nouveau ballon, il faut activer la fonction de nettoyage du ballon comme suit:

5. Éteindre l'Elite Steam.
6. Presser et maintenir enfoncé les deux boutons "reset" et "drain", et allumer l'Elite **Steam**.  
Quand la clé clignote  relâcher les deux boutons.
7. Presser et maintenir enfoncé "**reset**" jusqu'à l'affichage de 04.  
**MISE EN GARDE:** NE PAS confirmer de valeurs supérieures à 04. Si 05 ou plus s'affiche, appuyer sur "reset" jusqu'à ce que l'écran revienne au mode de fonctionnement normal et redémarrer l'étape
8. Appuyer sur "**drain**" (minimum 1 seconde): Le nettoyage démarre et l'écran affiche PC.

Durant le nettoyage, les électrodes sont alimentées et l'eau se verse à l'intérieur jusqu'au contact avec le capteur de niveau ou jusqu'à ce que le courant de phase atteigne 20A, quelque soit le premier à se produire. Une fois l'un ou l'autre événement détecté, la chaudière se vide totalement avec les électrodes non alimentées (la pompe d'évacuation et la soupape de remplissage et d'équilibrage de température s'activent pendant 3 minutes). Réchauffer l'eau de remplissage aide à nettoyer tout dépôt calcaire et de saleté. General Filters, Inc. recommande d'effectuer deux nettoyages lors du démarrage d'une nouvelle chaudière. Une fois le nettoyage terminé, l'humidificateur démarrera avec un fonctionnement régulier. Lors du démarrage de l'unité avec un nouveau ballon ou un ballon vide, il pourrait falloir un certain temps (heures) à l'unité pour qu'elle fabrique assez de concentration de minéraux pour atteindre la capacité nominale. Cette période peut être écourtée avec l'ajout d'Alka-Seltzer par la sortie de vapeur en haut du ballon.



## 5. FONCTIONNEMENT DE L'ELITE STEAM

### 5.1 Affichage des Informations

En appuyant sur le bouton "reset" pendant 2 secondes, l'écran passera de l'ampérage à la production en % de la production maximale au compteur horaire pour revenir à l'ampérage:



Fig. 5.a

4. **Ampérage**: C'est la valeur du courant qui circule à travers l'eau et qui la fait s'évaporer (affichage par défaut)
5. **Production %**: C'est la production en cours exprimée en pourcentage de la capacité de l'humidificateur
6. **Compteur horaire**, exprimé en dixième; par exemple, quand l'écran affiche 13 le nombre réel d'heures sera entre 130 et 139.

#### 5.1.1 Sélectionner du Type de Signal

L'Elite Steam est pré-réglé pour l'hygrostat GFX3 inclus (type de signal 0). Si l'hygrostat inclus est utilisé, cette section peut être omise. Si un autre hygrostat est utilisé, revoir cette section pour voir si des changements sont nécessaires.

8. Éteindre l'Elite Steam.
9. Presser et maintenir enfoncé les deux boutons "reset" et "drain", et allumer l'Elite Steam. Quand la clé clignote relâcher les deux boutons.
10. Appuyer sur "Reset" jusqu'à l'affichage de 02. WARNING: NE PAS confirmer de valeurs supérieures à 04. Si 05 ou plus s'affiche, appuyer sur "Reset" jusqu'à ce que l'écran revienne au mode de fonctionnement normal et repartir de l'étape 1.
11. Appuyer sur "drain" (minimum 1 seconde) pour confirmer: l'écran affiche "P1" puis le type de signal en cours et "set"
12. Appuyer sur "Reset" pour changer le type de signal entre 0 et 1:
  - 0 = On-Off hygrostat tel que l'hygrostat GeneralAire® série "M" ou "GFX".
  - 1 = signal de modulation externe 0...10 Vcc tel que l'hygrostat GeneralAire série ADCD
13. Appuyer sur "drain" (minimum 1 seconde) une fois effectuée pour confirmer la nouvelle valeur de P1 et revenir au mode de fonctionnement normal.
14. Éteindre l'Elite Steam. Il vous est maintenant possible de procéder à la connexion des câbles de commande.

### 5.2 Modification de la Production Maximum

La production maximum peut être réglée de 20% à 100% de la production nominale par intervalle de 5% de façon à s'adapter aux caractéristiques environnementales. La production maximum d'usine de DS25 et RS25 est définie à 70%.

7. Éteindre l'Elite Steam.
8. Presser et maintenir enfoncé les deux boutons "Reset" et "Drain", et allumer l'Elite Steam. Quand la clé clignote relâcher les deux boutons.
9. Appuyer sur "reset" jusqu'à l'affichage de 01. WARNING: NE PAS confirmer de valeurs supérieures à 04. Si 05 ou plus s'affiche, appuyer sur "Reset" jusqu'à ce que l'écran revienne au mode de fonctionnement normal et repartir de l'étape 1.
10. Appuyer sur "drain" (minimum 1 seconde); l'écran affiche "P0" puis le Pourcentage de Production Maximum actuel et "set".
11. Appuyer sur "reset" pour modifier la Production Maximum par intervalle de 5% entre 20% et 100%.
12. Presser et maintenir enfoncé "drain" (minimum 1 seconde) une fois effectuée pour confirmer la Production Maximum et revenir au mode de fonctionnement normal.

### 5.3 Activation de la Vidange Manuelle

Presser et maintenir enfoncé le bouton "drain" sur l'avant de l'unité jusqu'à ce que le ballon se vide. Note : L'eau continuera de couler de la soupape de remplissage et d'équilibrage de température une fois le ballon vide.

### 5.4 Remise à zéro du compteur horaire

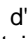
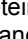
Le compteur horaire devrait être remis à zéro à chaque fois que le ballon est changé de façon à réinitialiser et redémarrer le minuteur interne de maintenance:

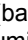
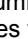

5. Éteindre l'Elite Steam.
6. Presser et maintenir enfoncé les deux boutons "Reset" et "Drain", et allumer l'Elite Steam. Quand la clé clignote, relâcher les boutons.
7. Presser et maintenir enfoncé "reset" jusqu'à l'affichage de 03. WARNING: NE PAS confirmer de valeurs supérieures à 04. Si 05 ou plus s'affiche, appuyer sur "Reset" jusqu'à ce que l'écran revienne au mode de fonctionnement normal et repartir de l'étape 1.
8. Appuyer sur "drain" (minimum 1 seconde) pour confirmer: le compteur horaire se réinitialisera immédiatement et Elite Steam reviendra en mode de fonctionnement normal.


## 5.5 Utilisation de l'Hygrostat GFX3

Appuyer sur  pour sélectionner le **mode OFF, MANUEL** ou **AUTO** (si le capteur extérieur est déconnecté).

**Mode OFF:** L'humidificateur est éteint.






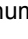
**Mode MANUEL:** Le GFX3 fonctionnera pour maintenir l'humidité sélectionnée. Il est possible de sélectionner le niveau d'humidité désiré en appuyant sur  ou . L'humidificateur s'allumera ou s'éteindra en fonction du paramétrage manuel. (L'humidificateur se mettra en route quand l'humidité relative mesurée sera inférieure de 2% à la valeur de consigne.) L'humidité devra être baissée en cas de temps plus froid ou en cas de suspicion de condensation.

**Mode AUTO:** Le GFX3 augmentera automatiquement l'humidité dès que la température extérieure augmente. Ceci fournit l'humidité la plus élevée possible. Le GFX3 baissera automatiquement l'humidité dès que les températures chutent. Ceci minimise les risques de condensation sur les surfaces froides telles que les fenêtres. Il est possible de régler la Valeur de Consigne de l'Indice d'Humidité en Mode Auto de 0 (bas) à 10 (haut) en appuyant sur  ou . L'Indice d'Humidité se base sur la température extérieure et l'humidité à l'intérieur. L'humidificateur s'allumera et s'éteindra en fonction de la valeur de consigne de l'indice d'humidité qui a été calculée. Les faibles valeurs d'indice sont prévues pour les maisons les plus anciennes qui sont moins isolées et moins de joints anti-vapeur. Des valeurs d'indice plus élevées sont prévues pour les maisons plus récentes équipées de joints anti-vapeur, fenêtres triple-vitrage et un coefficient R d'isolation élevé. En cas de condensation, réduire l'Indice de 2 points jusqu'à la disparition de la condensation. **NOTE** Si le capteur de température extérieure échoue,  clignote et l'unité passera en **mode**

**MANUEL. Pour basculer entre température extérieure / intérieure et humidité intérieure:** Appuyer sur .

**Pour modifier l'unité de température:** Appuyer sur °C / °F.

**Pour définir le décalage de température / humidité en mode MANUEL ou mode AUTO:**

- Appuyer simultanément sur  et  quand la lecture de la température ou de l'humidité s'affiche.
- Utiliser  ou  pour modifier le paramétrage (-3 à 3).
- Appuyer simultanément sur  et  ou attendre 5 secondes pour confirmer et se déplacer sur le prochain paramètre.

**MISE EN GARDE:** Ne pas permettre l'humidification excessive. L'excès d'humidité peut entraîner de la condensation et l'apparition de moisissures.

## 5.6 Alarmes

En cas d'alarme, le voyant rouge clignotera, le relais d'alarme se fermera, et le code alarme clignotera à l'écran. Les alarmes multiples clignotent l'une après l'autre, en s'alternant avec l'affichage principal. En appuyant sur le bouton de sélection pendant 2 secondes les alarmes se réinitialiseront, mais les alarmes encore actives continueront de s'afficher.

Affichage	Description	Action	Led Rouge	Relais Alarme	Notes
--	on/off à distance ouvert	Unité désactivée	Off	Off	
EE	Erreur mémoire interne	Unité désactivée	On	On	
E0	Configuration tableau de commande non valable	Unité désactivée	On	On	Éteindre, contrôler le tableau de commande, reprogrammer
E1	Alarme courant élevé	Unité désactivée	On	On	Éteindre, contrôler les branchements, contrôler le ballon (calcaire entre les électrodes, électrodes court-circuitées)
E2	Faible production, faible conductivité de l'eau ou mousse excessive/calcaire dans le ballon	Unité désactivée. Presser la touche "reset/sel" pendant 1 seconde pour effacer l'alarme	On	On	Contrôler la conductivité de l'eau (trop faible ?), remplacer le ballon.
E3	Durée de vie du ballon presque épuisée, déjà utilisé pendant 2000h	Presser la touche "reset/sel" pendant 1 seconde pour effacer l'alarme	Off	Off	Changer le ballon (pas urgent)
E4	Alarme remplissage, remplissage désactivé ou lent (le courant n'augmente pas durant la pause)	Presser la touche "reset/sel" pendant 1 seconde, sinon l'alarme se réinitialisera automatiquement toutes les 10 minutes jusqu'à ce que l'eau soit à nouveau disponible.	On	On	Contrôler l'eau et la vanne de remplissage, vérifier la présence de fuite sur la pompe d'évacuation.
E5	Alarme évacuation, impossible d'évacuer (le courant n'augmente pas durant la pause)	Presser la touche "reset/sel" pendant 1 seconde pour effacer l'alarme	On	On	Contrôler la pompe d'évacuation et le raccordement de l'évacuation
E6	Ballon usé (performance critique détectée)	L'alarme se réinitialise automatiquement si Elite Steam peut produire la demande, sinon elle s'éteint puis se rallume.	Off	Off	Changer le ballon (urgent)
E7	Présence de mousse détectée	Presser la touche "reset/sel" pendant 1 seconde pour effacer l'alarme	Off	Off	Si cela continue, effectuer des cycles de nettoyage (lire chap. "Starting with a new cylinder")
E8	Durée de vie du ballon a expiré (3000 heures)	Unité désactivée: Remettre le compteur horaire à zéro (lire chap. "Resetting the hour counter")	On	On	Changer le ballon si nécessaire
E9	Température du contrôleur élevée (supérieure à 176 °F / 80 °C)	L'alarme se réinitialise automatiquement si la température descend en dessous de 80 °C / 176 °F.	Off	Off	Contrôler la température ambiante, remplacer le contrôleur.

## RÉSOLUTION DES PROBLÈMES

Problème	Causes	Solutions
L'humidificateur ne s'allume pas	<ol style="list-style-type: none"> <li>1. Absence d'alimentation électrique</li> <li>2. L'interrupteur On/off de l'humidificateur est sur 0 (ouvert)</li> <li>3. Contrôler le branchement des câbles</li> <li>4. Fusibles sautés</li> <li>5. Panne du transformateur</li> </ol>	<ol style="list-style-type: none"> <li>1. Contrôler les dispositifs de sécurité en amont de l'humidificateur et la présence d'électricité</li> <li>2. Fermer l'interrupteur sur le tableau: position I</li> <li>3. Contrôler que les fils sont bien insérés dans les borniers</li> <li>4. Contrôler l'état des fusibles</li> <li>5. Contrôler que le voltage est correct</li> </ol>
L'humidificateur ne démarre pas	<ol style="list-style-type: none"> <li>1. Contact ON/OFF à distance ouvert</li> <li>2. L'hygrostat n'a pas été correctement branché</li> <li>3. Panne de l'hygrostat</li> <li>4. Le signal de contrôle n'est pas compatible avec le type défini</li> <li>5. La valeur mesurée par le/les capteur(s) est supérieure à la valeur de consigne correspondante</li> </ol>	<ol style="list-style-type: none"> <li>1. Fermer les contacts ON/OFF</li> <li>2. Contrôler la connexion externe</li> <li>3. Remplacer l'hygrostat</li> </ol>
L'humidificateur se remplit d'eau sans produire de vapeur	<ol style="list-style-type: none"> <li>1. Contre-pression de vapeur élevée</li> <li>2. Le filtre de la vanne de remplissage est bouché</li> <li>3. Présence de minéraux dans la coupe de remplissage</li> <li>4. La vanne de la pompe d'évacuation fuit</li> </ol>	<ol style="list-style-type: none"> <li>1. Contrôler que le tuyau à vapeur n'est pas plié ou courbé et qu'il renferme de la condensation</li> <li>2. Nettoyer le filtre de la vanne de remplissage</li> <li>3. Nettoyer la coupe de remplissage</li> <li>4. Contrôler la tension au niveau de la vanne de la pompe d'évacuation et/ou remplacer la pompe d'évacuation</li> </ol>
L'humidificateur mouille le conduit	<ol style="list-style-type: none"> <li>1. Le distributeur n'est pas correctement installé (trop proche du haut du conduit ou retour du condensat bloqué)</li> <li>2. Débit d'air trop bas</li> <li>3. Humidificateur actif quand la ventilation dans le conduit est arrêtée</li> </ol>	<ol style="list-style-type: none"> <li>1. Contrôler que le distributeur de vapeur est correctement installé</li> <li>2. Augmenter le débit d'air dans le conduit ou baisser le paramètre de production maximum de vapeur</li> <li>3. Contrôler le branchement de l'appareil (contrôleur de débit ou contacteur de pression différentielle) en contrôlant de l'humidificateur à la ventilation dans le conduit</li> </ol>
L'humidificateur mouille le sol situé en dessous	<ol style="list-style-type: none"> <li>1. L'évacuation de l'humidificateur est bloquée</li> <li>2. Le circuit d'alimentation ou de trop-plein a des fuites</li> <li>3. Le tuyau d'évacuation du condensat n'amène pas l'eau dans le bac de vidange</li> <li>4. Le tuyau à vapeur n'est pas correctement fixé au ballon</li> <li>5. La bague ou le joint torique d'étanchéité à la base du cylindre sont absents ou ne sont pas bien positionnés.</li> </ol>	<ol style="list-style-type: none"> <li>1. Nettoyer la partie évacuation et le bac</li> <li>2. Contrôler tout le circuit d'eau</li> <li>3. Contrôler la position du tuyau d'évacuation du condensat dans le bac de vidange</li> <li>4. Contrôler la fixation des colliers des tuyaux de sortie de la vapeur</li> <li>5. Soulevez le cylindre et vérifiez que la bague et le joint torique sont bien positionnés. Voir l'illustration de la page 21.</li> </ol>

Tab. 6.a

Problème	Causes	Solutions
L'eau devient noire dans le ballon	<ol style="list-style-type: none"> <li>1. Il y a une trop grande concentration de minéraux dans le ballon et ils abîment les électrodes.</li> </ol>	<ol style="list-style-type: none"> <li>1. Vérifier l'absence de courbes et pliures qui pourraient piéger de la condensation dans les tuyaux à vapeur et qui pourraient entraîner une contre-pression sur le ballon.</li> <li>2. Contrôler la pression statique du conduit.</li> <li>3. Contrôler la vanne de remplissage et le filtre d'entrée.</li> <li>4. Contrôler le fonctionnement de la pompe d'évacuation.</li> <li>5. Corriger les problèmes d'installation et remplacer le ballon.</li> </ol>
Un fort claquage se produit pendant les heures de démarrage	<ol style="list-style-type: none"> <li>1. L'eau d'alimentation contient des quantités considérables de fer, cuivre ou autres contaminants conducteurs.</li> </ol>	<ol style="list-style-type: none"> <li>1. Contacter l'usine pour un minuteur d'évacuation en option qui force les évacuations supplémentaires pour contrôler les minéraux.</li> <li>2. En cas d'utilisation d'un adoucisseur. Cesser l'utilisation.</li> <li>3. Contrôler les électrodes dans le ballon pour être sûr qu'elles n'ont pas été endommagées durant le transport.</li> </ol>
L'humidificateur se remplit et se vide continuellement sans produire de vapeur.	<ol style="list-style-type: none"> <li>1. Les minéraux créent un court-circuit entre les électrodes.</li> <li>2. Il y a une contre-pression provenant des tuyaux à vapeur ou du conduit.</li> <li>3. Le régulateur de débit dans la vanne de remplissage est cassé ou pas en place.</li> <li>4. La conductivité de l'eau est très élevée.</li> <li>5. L'eau produit de la mousse en de façon excessive.</li> </ol>	<ol style="list-style-type: none"> <li>1. Nettoyer ou remplacer le ballon.</li> <li>2. Vérifier la présence de courbes ou de pliures sur les tuyaux à vapeur qui pourraient renfermer du condensat.</li> <li>3. Remplacer la vanne de remplissage.</li> <li>4. Essayer d'utiliser un mélange d'eau déminéralisée et d'eau non traitée.</li> <li>5. Contrôler le ballon - remplacer si usé. Si l'eau d'alimentation contient de la silice ou des nitrates, installer un filtre à eau 1 micron.</li> </ol>

Tab. 6.b

## 6. MAINTENANCE

### 6.1 Contrôles périodiques

- Après une heure de fonctionnement: Contrôler qu'il n'y ait pas de fuites importantes d'eau.
- Tous les 15 jours ou toutes les 300 heures de fonctionnement et non au-delà: Contrôler le fonctionnement, qu'il n'y ait pas de fuites importantes d'eau et les conditions général du ballon. Vérifier que pendant le fonctionnement aucun arc électrique (étincelles) ne se forme entre les électrodes.
- Tous les 3 mois ou toutes les 1000 heures de fonctionnement et non au-delà: Contrôler le fonctionnement, qu'il n'y ait pas de fuites importantes d'eau et, si nécessaire, remplacer le ballon. Contrôler qu'aucune partie du ballon n'ait noirci. Si les composants du ballon sont noircis, vérifier l'état des électrodes et, si nécessaire, remplacer le ballon.
- Une fois par an ou toutes les 2500 heures de fonctionnement et non au-delà : Remplacer le ballon.

ATTENTION: TOUJOURS COUPER L'ALIMENTATION ÉLECTRIQUE AVANT D'EFFECTUER LA MAINTENANCE!

ATTENTION: toujours couper l'alimentation électrique avant de toucher le ballon en cas de pertes d'eau, car du courant pourrait passer dans l'eau.

### 6.2 Maintenance du ballon

La durée de vie du ballon dépend de nombreux facteurs, parmi lesquels: la quantité et le type de minéraux présents dans l'eau, la correcte utilisation et les paramètres de l'humidificateur, la puissance ainsi que l'entretien régulier et soigné. Un autre facteur affectant la durée de vie du ballon est la production maximum, plus le taux de production est élevé, plus la durée de vie du ballon sera courte ; c'est pour cette raison que le DS-25 et le RS-25 sont pré-réglés en usine à 70%. Des réductions supplémentaires de Production Maximum prolongeront la durée de vie du ballon. Voir figure 7.a

**MISES EN GARDE IMPORTANTES:** L'humidificateur et son ballon contiennent des composants sous tension et des surfaces chaudes, c'est pour cela que toutes les opérations de maintenance et/ou de réparation doivent être effectuées par un personnel qualifié et expérimenté, conscient des précautions à prendre. Avant d'effectuer toute opération sur le ballon, vérifier que l'humidificateur est débranché de l'alimentation électrique. Ne retirer le ballon de l'humidificateur qu'après l'avoir complètement vidangé en utilisant le bouton "drain" ou la procédure de vidange manuelle. Vérifier que le modèle et la tension de l'alimentation électrique du nouveau ballon correspondent aux données indiquées sur la plaque des données nominales.

#### 6.2.1 Remplacement du ballon

**MISE EN GARDE IMPORTANTE:** le ballon pourrait être chaud. Le laisser refroidir avant de le toucher ou porter des gants de protection.

Pour remplacer le ballon:

5. Vidanger complètement le ballon en maintenant enfoncée la touche "drain" jusqu'à ce que le ballon soit vide;
6. Eteindre l'humidificateur et couper l'alimentation du réseau;
7. Retirer le capot;
8. Modèles DS :
  - Retirer le tuyau à vapeur du ballon;
  - Retirer le support et soulever le ballon hors de l'unité ;
9. Débrancher le raccord du tuyau à vapeur du ballon et enlever le ballon de l'appareil; La bague et le joint torique peuvent tomber au moment de retirer le cylindre. Si tel est le cas, installez un joint torique NEUF ainsi que l'ancienne bague dans la base.
10. Modèles RS :
  - Défaire les 2 boulons de la ventilation intégrée ;
  - Retirer les supports du ballon ;
11. Débrancher le distributeur du ballon et soulever le ballon hors de l'appareil;
12. Mettez la bague de côté. NE jetez PAS la bague. Jetez le joint torique rouge.
13. Débrancher les connexions électriques du haut du ballon ;
14. Assurez-vous que le joint torique NEUF et la bague sont bien repositionnés avant d'insérer le nouveau cylindre. Voir la Figure 7.c.
15. Installer le nouveau ballon dans l'humidificateur en effectuant les opérations précédentes dans le sens inverse

**ATTENTION:** Ne pas trop serrer les colliers 7/8" car cela pourrait écraser la sortie du ballon

**MISE EN GARDE:** Les branchements électriques au ballon doivent être serrés pour éviter tout risque d'incendie. Les écrous filetés sur les câbles d'alimentation doivent être connectés avec  $44 \text{ in-lb} \pm 10\%$  ( $5 \text{ Nm} \pm 10\%$ ).

#### 6.2.2 Maintenance des autres composants de tuyauterie

**MISES EN GARDE IMPORTANTES:**

- L'alimentation externe doit toujours être coupée pendant l'exécution de toute opération de maintenance sur l'humidificateur.
- Lors du nettoyage des composants plastiques, ne pas utiliser de détergents ou de solvants ;
- Le dépôt calcaire peut être éliminé à l'aide de vinaigre ou d'acide acétique faible et une brosse souple ; rincer ensuite le ballon abondamment avec de l'eau claire.

**Nettoyage de la vanne de remplissage:**

Après avoir débranché les câbles et les tuyaux, retirer la vanne et contrôler la condition du filtre à l'intérieur; Nettoyer si nécessaire en utilisant la même solution nettoyante que pour le ballon à vapeur et une brosse souple.

**Nettoyage de la pompe d'évacuation :**

Retirer le corps de la vanne, nettoyer si nécessaire à l'aide de la même solution nettoyante que pour le ballon à vapeur et une brosse souple.

**Nettoyage du bac à vidange:**

Nettoyer tout dépôt de minéraux dans le bac et contrôler que l'eau coule librement du bac à l'évacuation au niveau de la pompe d'évacuation.

**Nettoyage des tuyaux d'alimentation, de remplissage et de trop plein:** Contrôler leur propreté et nettoyer ou remplacer si nécessaire.

**MISE EN GARDE IMPORTANTE:** après avoir remplacé ou contrôlé la tuyauterie, assurez-vous que les composants ont bien été reconnectés dans leur logement. Redémarrer l'humidificateur et effectuer des cycles de nettoyage (de 2 à 4, lire chap. "Starting with a new cylinderage avec un nouveau ballon "vérifier qu'il n'y ait pas de fuites d'eau.

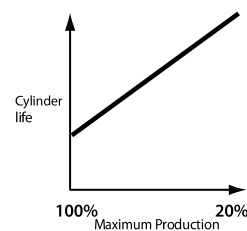


Fig. 7.a

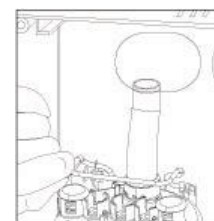


Fig. 7.b

**Joint torique rouge**  
Autre nom : joint d'étanchéité statique  
REPLACEZ-LE PAR UN JOINT NEUF

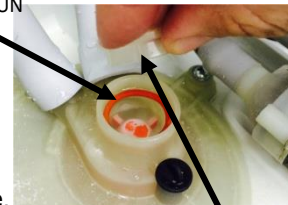
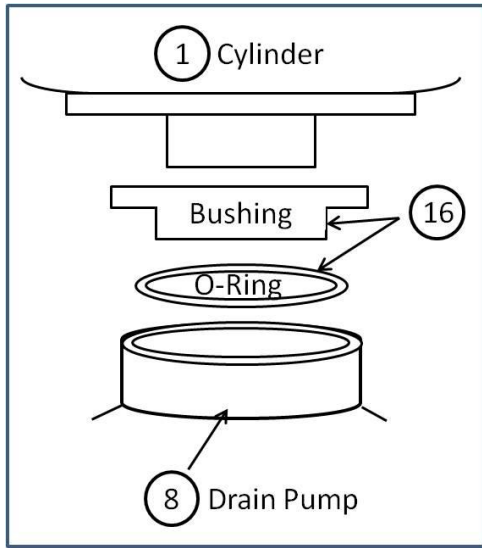
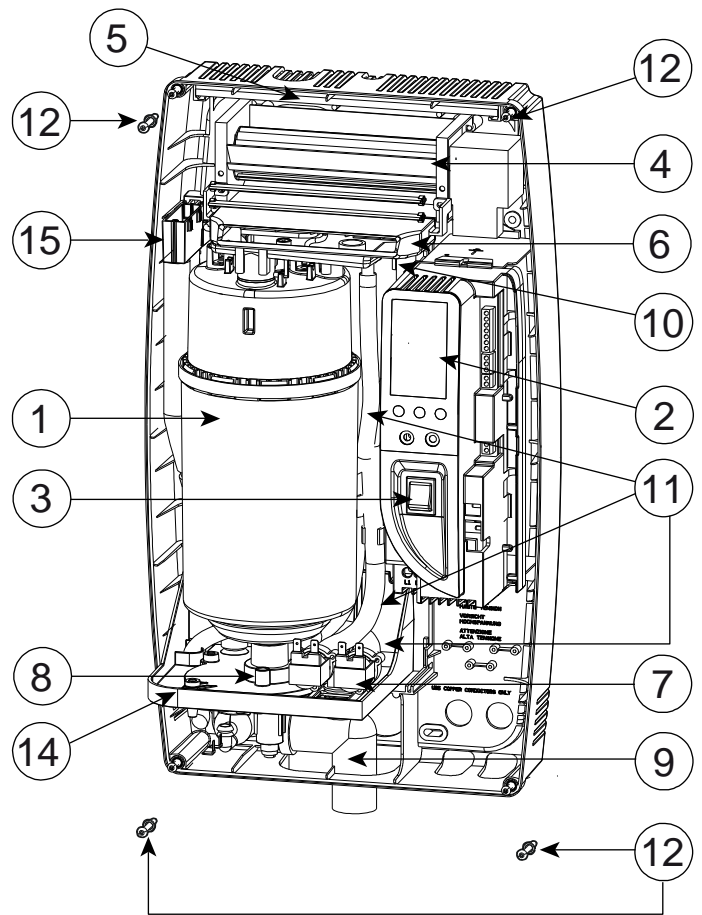


Fig. 7.c.

**Bague**  
CONSERVER  
REPOSITIONNER



Expanded View of Bushing & O-Ring Placement



Code composant	N° Pièce	Description
1	<i>Voir le tableau ci-dessous.</i>	<i>Ballon générateur de vapeur</i>
2	7800	MODULE DE COMMANDE 5,4Kg/h 230V AVEC POMPE D'ÉVACUATION
	7801	MODULE DE COMMANDE 2.5kg/h 110V AVEC POMPE D'ÉVACUATION
3	7551	35-18 INTERRUPTEUR ON/OFF POUR SÉRIE CH
4	7534	15-2 DIFFUSEUR D'AMBIANCE 110/1 POUR SÉRIE CH
	7535	35-2 SOUFFLEUR D'AMBIANCE 230/1 POUR SÉRIE CH
5	7544	35-19 KIT FILTRE SOUFFLEUR POUR SÉRIE CH
6	7536	35-20 COLLECTEUR INTERNE DISTRIBUTEUR DE VAPEUR POUR SÉRIE CH
7	7802	15-6 VANNE SOLÉNOÏDE + MÉLANGEUSE DE VIDANGE 110 V POUR POMPE D'ÉVACUATION
	7803	25-3 VANNE SOLÉNOÏDE + MÉLANGEUSE DE VIDANGE 230 V POUR POMPE D'ÉVACUATION
8	7804	15-7 KIT POUR POMPE D'ÉVACUATION 110V
	7805	25-7 KIT POUR POMPE D'ÉVACUATION 230V
9	7542	35-21 ADAPTATEUR DE VIDANGE 90 DEGRÉS POUR SÉRIE CH
10	7806	25-2 CUVETTE DE REMPLISSAGE + PRISE POUR POMPE D'ÉVACUATION
	7807	25-4 KIT TUYAUTERIE AMBIANCE POUR POMPE D'ÉVACUATION
11	7808	25-5 KIT TUYAUTERIE CONDUIT POUR POMPE D'ÉVACUATION
	7553	35-25 VIS DE RÉTÈNE DU CAPOT POUR SÉRIE CH
12	7809	25-6 CUVETTE INFÉRIEURE POUR POMPE D'ÉVACUATION
	7810	25-8 CUVE DE RÉCUPÉRATION + PRISE POUR POMPE D'ÉVACUATION
14	7811	25-50 KIT CABLAGE POUR UNITÉ AVEC POMPE D'ÉVACUATION
	7815	25-12 ADAPTATEUR DE TUYAU DU BALLON À VAPEUR
	7685	ENSEMBLE DE BAGUE POUR LES HUMIDIFICATEURS À INJECTION DE VAPEUR DE MODÈLE 15 ET 25 (BAGUE ET JOINT TORIQUE)
15	7811	25-50 KIT CABLAGE POUR UNITÉ AVEC POMPE D'ÉVACUATION
16	7685	ENSEMBLE DE BAGUE POUR LES HUMIDIFICATEURS À INJECTION DE VAPEUR DE MODÈLE 15 ET 25 (BAGUE ET JOINT TORIQUE)
	7552	35-16 KIT INTERNE FILTRE ET JOINT POUR BALLON

Code composant	N° Pièce	Description
1	7523	15-14 BALLON STD. CONDUCTIVITÉ 110/1 5.5 LBS/HR DS15P, RS15P, DS15, RS15
1	7524	35-14 BALLON STD. CONDUCTIVITÉ 230/1 12 LBS/HR DS15P, RS15P, DS15, RS15
1	7543	35-15 BALLON BASSE CONDUCTIVITÉ 230/1 12 LBS/HR DS25, RS25, DS25LC, RS25LC
1	7516	20-14A BALLON STD. CONDUCTIVITÉ 230/1 7 LBS/HR DS20A, RS20A
	7552	35-16 KIT INTERNE FILTRE ET JOINT POUR BALLON

## 7. SPÉCIFICATIONS TECHNIQUES

Débit vapeur, VAC, kW	<b>5.5 lb/h (2.5 kg/h): 110 Vac monophasé 50/-60 Hz, 1.86 kW 12 lb/h (5,4 kg/h): 230 Vac monophasé 50/-60 Hz, 4,05 kW</b>	Notes
Pression vapeur	<b>3.81 in WC / 950 Pa</b>	Pour conduit uniquement
Dimensions (mm )	<b>24" x 14" x 8" (600 x 341 x 204 mm)</b>	(Hauteur x Largeur x Profondeur)
Poids à vide/emballé/installé avec eau	<b>18/22/26 lb. 8/10/12 kg</b>	
Classe IP	<b>IP20</b>	
Câble d'alimentation des Électrodes	<b>12 AWG</b>	
Relais de puissance	<b>2 x 30 Amp</b>	embarqué
Branchement à la terre	<b>Vis</b>	
Type d'eau d'alimentation	<b>Eau potable</b>	pas d'eau démin. ni adoucie
Gamme de conductivité	<b>125-1250 µS/cm</b>	Ballons spéciaux pour cond. < 350
Raccordement pour remplissage eau	<b>Raccord de Compression Diamètre Extérieur 1/4"</b>	Adaptateur à 3/4" FPS
Remplissage eau – débit instantané	<b>0.09 – 0.16 gal/min (0.35 – 0.60 l/min)</b>	
Raccordement évacuation	<b>Diamètre Extérieur 32 mm (1.25")</b>	Réglable d'horizontal à vertical. Possibilité de l'arrière au dessous de l'unité.
Temp. eau d'évacuation	<b>&lt; 140°F ( &lt; 60°C)</b>	dispositif de mélange sur l'évacuation
Débit d'évacuation	<b><u>Taux max initial d'évacuation</u> - 7 gpm (26.2 l/min) (avec ballon plein – pendant les 10-15 premières secondes du cycle de vidange) <u>Taux moyen d'évacuation</u> – 3.1 gpm (11.7 l/min) (mesuré sur une période de plus d'une minute en démarrant avec le ballon plein)</b>	
Débit ventilateur intégré	<b>71 cfm (120 m<sup>3</sup>/hr)</b>	Humidification Ambiante Directe Uniquement
Communication série	<b>RS485</b>	
Tension d'alimentation	<b>Primaire 120 / 240 V CA Câblage des commandes 12 V CC</b>	

## 8. GARANTIE LIMITÉE

Les Humidificateurs Résidentiels DS et RS, après envoi à General Filters, Inc. de l'enregistrement de garantie à la page 25, sont garantis contre les défauts de fabrication pendant une période de cinq ans à partir de la date d'installation, à condition que le produit ait été installé et utilisé conformément aux manuels et aux schémas de câblage dans une structure résidentielle.

L'installation dans un bâtiment commercial, industriel ou dans des bureaux annulera toute garantie. L'utilisation d'une eau non conforme aux spécifications de l'unité annulera toute garantie. Les produits sujets à remplacement périodique tels que les ballons à vapeur et les joints sont exclus de cette garantie limitée ou de toute autre garantie..


Toute autre pièce défectueuse sera réparée sans frais sauf pour le retrait, la réinstallation et le transport. Pour obtenir un service de réparation couverte par cette garantie, le client doit envoyer la pièce défectueuse à General Filters, Inc.

AUCUNE GARANTIE AUTRE QUE CELLE PRÉSENTÉE CI-DESSUS NE COUVRE CET HUMIDIFICATEUR. LES GARANTIES IMPLICITES DE VALEUR COMMERCIALE ET D'ADAPTATION À UN OBJECTIF PARTICULIER SONT FORMELLEMENT EXCLUES. LE FABRICANT N'ASSUME AUCUNE RESPONSABILITÉ CONCERNANT L'INSTALLATION OU L'UTILISATION DE CE PRODUIT, SAUF INDICATION DE LA GARANTIE LIMITÉE. LE FABRICANT NE SERA EN AUCUN CAS TENU POUR RESPONSABLE DE DOMMAGES ACCIDENTELS OU COLLATÉRAUX. Cette garantie limitée vous donne des droits légaux spécifiques, et vous pourriez également avoir d'autres droits qui varient de pays à pays. Certains pays n'autorisent pas les garanties limitées ni les garanties implicites, ou les exclusions des dommages accidentels ou collatéraux, donc les exclusions et limites pourraient ne pas s'appliquer à vous.

Toute question concernant cette garantie limitée doit être adressée à General Filters, Inc. General Filters, Inc. a choisi de ne pas mettre à disposition les procédures informelles de règlement des différends qui sont spécifiées dans la Loi Magnuson-Moss sur la Garantie.

GENERAL FILTERS, INC  
43800 GRAND RIVER AVENUE  
NOVI, MI. 48375  
[www.generalfilters.com](http://www.generalfilters.com)

CANADIAN GENERAL FILTERS, INC  
400 MIDWEST ROAD  
TORONTO, ON M1P3A9  
[www.cgfproducts.com](http://www.cgfproducts.com)



**FILL OUT AND MAIL THIS WARRANTY CARD AND LITERATURE REQUEST FORM**

AIR CLEANERS AND AIR PURIFIERS

HUMIDIFIERS

DIGITAL HUMIDITY GAGE

AIR FILTER GAGE

FUEL OIL FILTERS AND ACCESSORIES

**WARRANTY REGISTRATION**

OWNER REGISTRATION ONLINE AT [WWW.GENERALAIRE.COM](http://WWW.GENERALAIRE.COM) OR  
FILL IN REGISTRATION AND MAIL TO:

GENERAL FILTERS, INC.  
43800 GRAND RIVER AVENUE  
NOVI, MI 48375

MODEL \_\_\_\_\_ SERIAL # \_\_\_\_\_

OWNER'S NAME \_\_\_\_\_

STREET ADDRESS \_\_\_\_\_

CITY \_\_\_\_\_ STATE \_\_\_\_\_ PROVINCE: \_\_\_\_\_ POSTAL CODE \_\_\_\_\_

DEALER'S NAME \_\_\_\_\_

STREET ADDRESS \_\_\_\_\_

CITY \_\_\_\_\_ STATE \_\_\_\_\_ PROVINCE: \_\_\_\_\_ POSTAL CODE \_\_\_\_\_

DATE OF INSTALLATION \_\_\_\_\_



**GENERAL FILTERS, INC**  
43800 GRAND RIVER AVENUE  
NOVI, MI. 48375  
[www.generalfilters.com](http://www.generalfilters.com)

**CANADIAN GENERAL FILTERS, INC**  
400 MIDWEST ROAD  
TORONTO, ON M1P3A9  
[www.cgfproducts.com](http://www.cgfproducts.com)

Agency: