

This Owner's Manual is provided and hosted by [Appliance Factory Parts](#).



# Dimplex DCEVP6 Owner's Manual

[Shop genuine replacement parts for Dimplex DCEVP6](#)



[Find Your Dimplex Evaporative Cooler Parts - Select From 6 Models](#)

----- Manual continues below -----

# **3CDimplex<sup>®</sup>**

## **6L Evaporative Cooler** **Model: DCEVP6**



# **INSTRUCTION MANUAL**

**PLEASE READ THE INSTRUCTION MANUAL CAREFULLY BEFORE USING THE UNIT**

# TABLE OF CONTENTS

WARNINGS AND PRECAUTIONS.....	1
STRUCTURE .....	3
OPERATION.....	4
CLEANING AND MAINTENANCE .....	7
TECHNICAL REFERENCE DATA .....	9
WARRANTY .....	9

# WARNINGS AND PRECAUTIONS

## Warnings

- Never place the unit near gas appliances, flames or flammable liquids.
- Never hit or shake the unit. Doing so may cause damage.
- Never cover or obstruct the air inlet or outlet.  
Doing so may cause overheating.
- Never spray water on or place the unit near water.  
Doing so may cause electric shock.
- Never connect other appliances to the same power outlet.
- Never connect or disconnect the power plug with wet hands.  
Doing so may cause electric shock.
- Never insert fingers or objects through the guards when the unit is operating.
- Never use an extension cord.
- Always have a professional technician, manufacturer or service agent replace a damaged power cord.

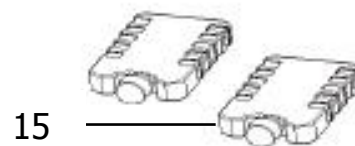
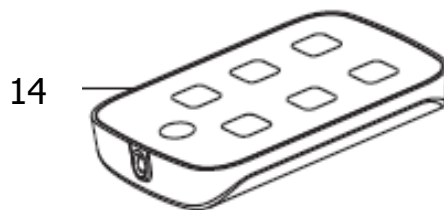
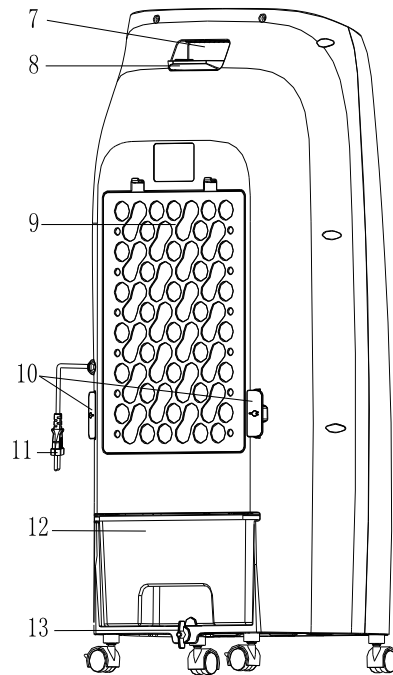
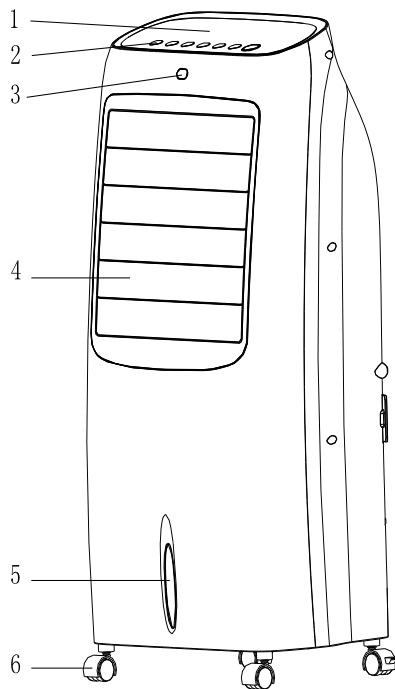
## Precautions

- This appliance is for indoor use only.
- Do not use the unit near windows or where water collects. Rain and water collection may lead to a risk of fire or electric shock.
- Do not place the unit in a damp place or where humidity is high (such as a bathroom).
- Do not leave the unit operating while unattended.
- Do not place the unit in direct sunlight to avoid surface discolouration.

- This appliance is not intended for use by persons (including children) with reduced physical, sensory or mental capabilities, or lack of experience and knowledge, unless they have been given supervision or instruction concerning use of the appliance by a person responsible for their safety.
- Children should be supervised to ensure they do not play with the appliance.
- Avoid electromagnetic interference. Keep the unit at least 1 metre away from electric appliances such as televisions and radios.
- Avoid scratching and damaging the surface. Do not use chemical solvents (i.e. Benzene, alcohol) to clean the surface.
- Place the unit on a stable surface when operating.
- Unplug the unit before cleaning, servicing or maintenance.
- Electrical connections must be in accordance with National or Local Codes.
- The rear of the unit must be at least 50cm away from the wall.
- Do not place the appliance on its side, back or front while in storage or transport. The unit must be left in an upright position 2 hours before operation.
- If the supply cord is damaged, it must be replaced by the manufacturer, its service agent or similarly qualified persons in order to avoid a hazard.
- Do not attempt to open the ice packs, or swallow the ice.

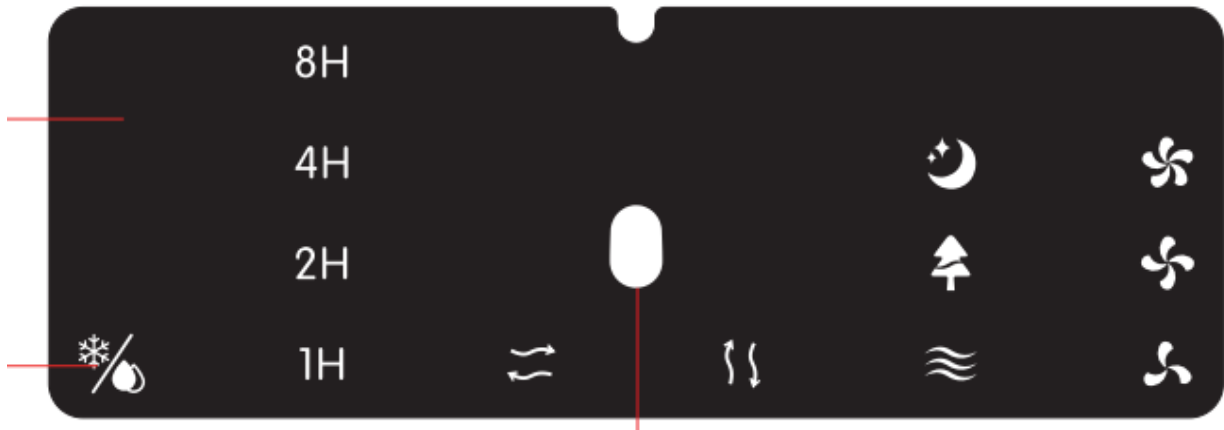
# STRUCTURE

1. Display Panel
2. Buttons
3. Remote Control Receiver
4. Louvre assembly
5. Water Level Display Window
6. Castors
7. Handle
8. Remote Control Holder
9. Dustproof filter
10. Reel
11. Power Cord
12. Water Tank
13. Water Tank Lock
14. Remote Control
15. Ice Packs x 2



# OPERATION

## DISPLAY PANEL



## REMOTE CONTROL



## TIMER

This evaporative cooler comes with an 8 hour timer that allows you to pre-set the machine to switch off automatically, in intervals of 1, 2, 4 or 8 hours. To operate, simply select the number of hours ahead you wish the machine to switch off. If you want it to run continuously, ensure the timer is in the "OFF" position.

## ON / SPEED

This button is used to switch the unit on and to control the speed. By simply pressing the button, you can regulate the airflow to LOW, MEDIUM or HIGH depending on your needs. The unit automatically starts at MEDIUM speed.

## **MODE**

This button is used to switch between pre-set operating modes. By simply pressing the button, you can regulate the mode from NORMAL, NATURAL or SLEEP depending on your needs. The unit automatically starts in NORMAL mode.

## **LEFT / RIGHT**

This control gives you the option of having the vertical louvres open or closed. Press once to turn "ON". Press again to turn "OFF".

## **UP / DOWN (SWING)**

This control gives you the option of having the horizontal louvres swing or stationary. After turning on, the louvres default to 127°. Press the UP / DOWN button and the louvres will swing between 60° - 127°. Press the UP / DOWN button again and the louvres will stay at the current angle.

## **Operation**

1. Remove the unit from its packaging
2. To begin using the cooling function, open and remove the water tank located at the back of the unit and fill to the MAX fill line.
3. For extra cooling power, place an ice pack into the water tank.
4. Press the "ON/SPEED" button to start the appliance.
5. The unit will operate initially on a continual basis. If a set period of operation is required, please follow "TIMER" instructions on page 4.
6. Operate the "LEFT / RIGHT" & "UP / DOWN" swing function as required.
7. To switch the unit off at any time, press the "OFF" button.

## Precautions

- Do not overfill the unit's water inlet with water (check the MAX fill line).
- Only fill the water inlet half full, when using the ice packs.
- Use only cold, clean water.
- The unit is equipped with a number of safety devices, including a water shortage protection, tank removal protection & power failure protection.
- Always use clean tap water and do not allow the same water to sit in the machine for a prolonged period.
- It is recommended that any water left in the machine for 3 days or more be removed and replaced with clean water.
- The control panel must not come in contact with water or any other liquids.

# CLEANING AND MAINTENANCE

## Cleaning

Your unit is designed to remove dirt and other atmospheric impurities by drawing air through the air filter. Do NOT block the air filter, as this will impair the efficiency of the unit. Pushing the unit up against a wall or operating it in close proximity to long window drapes will also impair the unit's air flow and efficiency.

## Rear Air Filter

- This is easily accessible by removing the rear screen and filter.
- In a smoky or dusty environment, this filter will become grey in colour after one to two months.
- Disconnect the unit from the main supply. Gently wash the filter in mild, soapy water, dry and replace. Be sure to re-fit the rear screen securely. No special tools are required for this.

## Water Tank

The water tank should be cleaned regularly. If not cleaned, deposits may build up affecting the efficiency of the unit. Cleaning the tank with mild soapy water once every 6 months is recommended. To do this, following the steps bellows:

1. Disconnect the appliance from the main supply.
2. Completely remove the water tank from the unit.
3. Remove any deposits or dirt from the tank with a mild, soapy detergent and cloth.
4. Flush the tank with clean water.
5. Reverse the procedure and make sure the tank lock is in place.

## Outside Cabinet

Use warm, mild, soapy water and cloth. Do not use abrasive products.

## IMPORTANT

The control panel must not come into contact with water or any other liquids.




- Do not dispose of electrical appliances as unsorted municipal waste. Use separate collection facilities.
- Contact your local government for information regarding the collection systems available.
- If electrical appliances are disposed of in landfills or dumps, hazardous substances can leak into the ground water, polluting the food chain and damaging health and well-being.

## Maintenance

If the unit fails to operate efficiently, is broken or other problems arise, unplug and do not operate.

Ask for advice by calling your local after sales service agent or the Customer Care Centre on 1300 556 816 (AU) / 0800 666 2824 (NZ).

# TECHNICAL REFERENCE DATA

<b>Model</b>		<b>DCEVP6</b>
Rated Power		110W
Voltage/Frequency		220-240V/50Hz
Water Tank Capacity		6L
Water Consumption		1.2 L/h
Net Weight		7.1kg
Dimensions HxWxD	Body (mm)	825x279x355
	Package (mm)	892x330x410
		

## WARRANTY

The warranty period is 24 months from the date of purchase. For service advice, please contact the Customer Care Centre on 1300 556 816 (AU) / 0800 666 2824 (NZ).

### **Glen Dimplex Australia Pty Ltd**

**1340 Ferntree Gully Road,**

**Scoresby 3179, Victoria**

**Australia**

**Ph: 1300 556 816**

### **Glen Dimplex Australasia Ltd**

**38 Harris Road, East Tamaki,**

**Auckland 2013**

**New Zealand**

**Ph: 0800 666 2824**