

This Owner's Manual is provided and hosted by [Appliance Factory Parts](#).



Landmann 32911 Owner's Manual

[Shop genuine replacement parts for Landmann 32911](#)



[Find Your Landmann Grill Parts - Select From 200 Models](#)

----- Manual continues below -----



ELECTRIC SMOKER

MODEL# 32902 / 32911

Español p. 21

Français p. 41



**THIS SMOKER IS
FOR OUTDOOR USE
ONLY**

Assembly and Owner's Manual

ASSEMBLER / INSTALLER:

Leave these instructions with the consumer.

CONSUMER / USER:

This instruction manual contains important information necessary for the proper assembly and safe use of this appliance. Read and follow all warnings and instructions before assembling and using this appliance. Follow all warnings and instructions when using this appliance. Keep this manual for future reference.



Failure to follow these instructions could result in fire, explosion or burn hazard, which could cause property damage, personal injury or death.

TABLE OF CONTENTS

Important Safeguards	3
Package Contents	5
Hardware Contents	7
Preparation	7
Assembly Instructions	8
Initial Use Instructions	11
Operating Instructions	12
Cooking Instructions	14
Care and Maintenance	15
Troubleshooting	16
Warranty	18
Replacement Parts List	18

IMPORTANT: For your future records, please fill:

Model Number _____

Serial Number _____

Date of Purchase _____

Place of Purchase _____

IMPORTANT SAFEGUARDS

Please read and understand this entire manual before attempting to assemble, operate or install the product. Read all instructions.

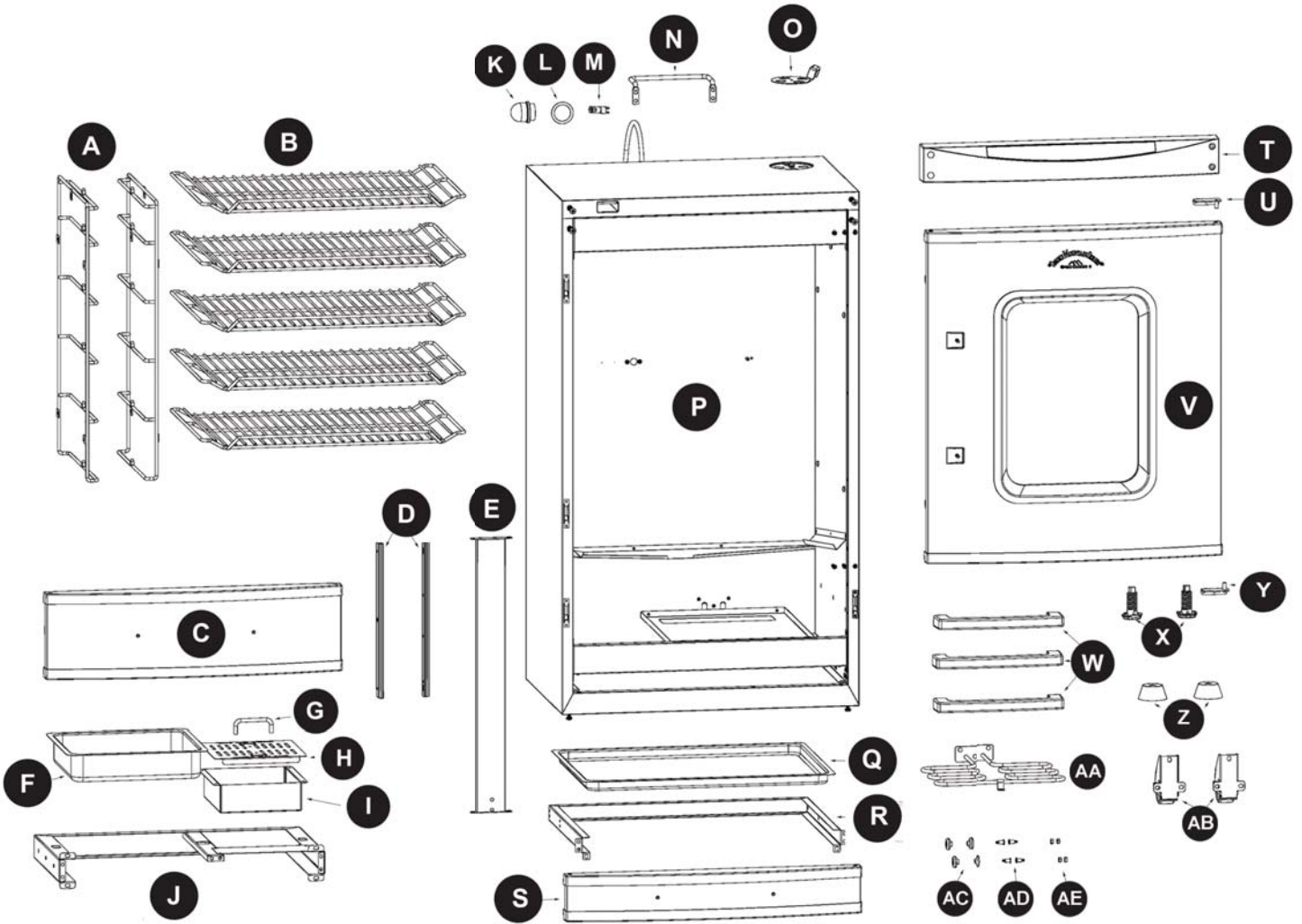
- **DO NOT** use appliance for other than intended. It is **NOT** intended for commercial use.
- This item is **NOT** intended to be installed or used in or on a recreational vehicle and/or boats.
- The smoker is **NOT** to be used as a heater.
- Use only on properly grounded outlet. Unplug from outlet when not in use and before cleaning. To disconnect, turn the control to OFF, then remove plug from wall outlet. Allow to cool before putting on or taking off parts.
- Make sure the smoker is completely assembled and ready for operation before plugging into electrical outlet. **DO NOT** operate any appliance with a damaged cord or plug or after the appliance malfunctions or has been damaged in any manner. Return appliance to nearest authorized service facility for examination, repair or adjustment.
- To protect against electrical shock, do not immerse cord, plugs or electrical parts in water or other liquids. Smoker should **NOT** be exposed to water at any time.
- **DO NOT** operate smoker during rain or storms. If possible, disconnect from electrical source and move smoker to dry and protected location.
- Protect electrical cord from damage, hot surfaces and/or moisture. **DO NOT** let cord hang over edge of table or counter or touch hot surfaces.
- The use of alcohol, prescription or non-prescription drugs may impair the user's ability to properly assemble and safely operate this smoker.
- This smoker is for **OUTDOOR** use only, in a well-ventilated area. **DO NOT** operate the smoker indoors, in a garage, or in any other enclosed area or under overhead construction.
- Use caution when assembling and operating the smoker to avoid cuts and scrapes from rough or sharp edges.
- Use caution when lifting and/or moving the smoker to avoid strains or back injury. Two (2) people are recommended to lift the smoker. **DO NOT** move the smoker while it is in use. Allow the smoker to cool completely before moving or storing. Extreme caution must be used when moving an appliance containing hot oil or other hot liquids.
- **DO NOT** operate the smoker near or under flammable or combustible materials such as decks, porches or carports. The minimum clearance shall be at least 24 inches from any structure or combustible material.
- Operate the smoker only on stable, level, non-flammable surfaces such as asphalt, concrete or solid ground. **DO NOT** operate the smoker on flammable surfaces such as carpet or wood decks.
- **DO NOT** place or operate on tables or counters.
- **DO NOT** store the smoker near gasoline or other combustible liquids or where combustible vapors may be present.
- Store smoker indoors when not in use - out of reach of children. **DO NOT** store or operate the smoker in an area accessible to children or pets. Store the smoker in a dry, protected location.
- **DO NOT** leave the smoker unattended while it is in use. Close supervision is necessary when any appliance is used by or near children.
- **DO NOT** allow anyone to conduct activities around the smoker during or following its use until it has completely cooled. It is hot during operation and remains hot for a period of time.
- **DO NOT** leave hot ashes unattended until the smoker cools completely.
- **DO NOT** touch hot surfaces. Use handles or knobs. If you must handle the smoker when it is hot, **ALWAYS** use protective mitts or heat-resistant gloves.
- The water pan, wood chip box and grease pan should not be moved while the smoker is operating or until the smoker has cooled sufficiently. These will contain hot liquid, hot ashes and hot grease that may cause serious injury. If you must move these components, **ALWAYS** use protective oven mitts or heat-resistant gloves.

IMPORTANT SAFEGUARDS

- Dispose of cold ashes by wrapping them in heavy aluminum foil and putting them in a non-combustible container. Be sure there are no other combustible materials in or near the container. If you must dispose of ashes in less time than it takes for them to completely cool, remove the ashes from the smoker, keeping them in heavy aluminum foil and soaking them completely with water before disposing of them in a non-combustible container.
- **DO NOT** cover smoking racks with any type of metal foil as this may cause serious damage to the smoker.
- **DO NOT** obstruct the flow of combustion air and/or ventilation air for the smoker.
- Use **CAUTION** when operating. Tie back long hair while operating the smoker. **ALWAYS** wear fully-covering shoes while operating the smoker.
- **NEVER** use glassware, plastic or ceramic cookware on or in the smoker.
- **NEVER** operate the smoker without water in the water pan. **NEVER** allow the water to completely evaporate. **DO NOT** clean this product with a water spray or the like.
- Check the water level at least every 2 hours. A sizzling sound may indicate a low water level or billowing smoker may indicate no water in the water pan (grease from the meat will be falling on a hot, dry water pan). Use caution and follow the instructions in this manual for adding water while smoker is operating, as hot water may splash up and cause serious injury.
- When using flavoring wood, add a sufficient amount prior to operation to avoid having to add wood while smoker is operating.
- The use of accessory attachments, not recommended by the manufacturer may cause injuries.
- While the smoker is not in use, the electrical cord should be unplugged and stored in a safe, dry location.
- A short power-supply cord (or detachable power-supply cord) should be used to reduce the risk resulting from becoming entangled in or tripping over a longer cord. Longer detachable power-supply cords or extension cords are available and may be used if care is exercised in their use. If a longer detachable power-supply cord or extension cord is used: (1) the marked electrical rating of the cord set or extension cord should be at least as great as the electrical rating of the appliance and (2) the cord should be arranged so that it will not drape over the countertop or tabletop where it can be pulled on by children or tripped over unintentionally. Connection to an extension cord should be kept dry and off the ground.
- Outdoor extension cords should be used with outdoor use products and are surface marked with the suffix letter "W" and with a tag stating "Suitable for use with outdoor appliances".
- **DO NOT** use the smoker if the heating element fails to heat up. Under such conditions, the smoker should be turned to the **OFF** position and the electrical cord should be disconnected. Refer to TROUBLESHOOTING guide in this manual.
- **DO NOT** use the smoker if the power indicator light or LED display fails to function. Refer to TROUBLESHOOTING guide in this manual.
- Alternative fuels such as charcoal and wood pellets should **NOT** be used with this smoker or any of its accessories.
- Fuel, such as charcoal briquettes, is not to be used with appliance.
- **DO NOT** place on or near a hot gas or electric burner or in a heated oven.
- **DO NOT** place smoker cover on the smoker if it is still hot from use.
- All installations are to conform to local, state and federal fire codes.
- **KEEP** fire extinguisher accessible at all times.
- Burning wood gives off carbon monoxide which can cause death.
- **DO NOT** burn wood chips inside homes, vehicles, tents, garages or any enclosed areas.

SAVE THESE INSTRUCTIONS

PARTS



PARTS DESCRIPTION

PART	DESCRIPTION	QUANTITY
A	Smoking rack side support (preassembled)	2
B	Smoking rack	5
C	Top drawer front panel (preassembled)	1
D	Top drawer slides (preassembled)	2
E	Bottom door hinge crossbar (preassembled)	1
F	Water pan	1
G	Wood chip lid handle	1
H	Wood chip box lid	1
I	Wood chip box	1
J	Top drawer support frame (preassembled)	1
K	Bulb cover (preassembled)	1
L	Gasket for bulb cover (preassembled)	1
M	Bulb (preassembled)	1
N	Back Handle	1
O	Damper vent with guard	1
P	Cabinet	1
Q	Grease Pan	1
R	Bottom drawer support frame (preassembled)	1
S	Bottom drawer front panel (preassembled)	1
T	Control Panel (preassembled)	1
U	Top door hinge (preassembled)	1
V	Door with viewing window (preassembled)	1
W	Handles for door and drawers	3
X	Adjustable feet	2
Y	Bottom door hinge (preassembled)	1
Z	Fixed feet	2
AA	Heating element (preassembled)	1
AB	Wheel Assembly	2
AC	Bottom Drawer wheels (preassembled)	4
AD	Bolts for bottom drawer wheels (preassembled)	4
AE	Nuts for bottom drawer wheels (preassembled)	4
	Hardware blister card	1

HARDWARE CONTENTS (shown actual size)

EE



M5 x 16 mm
Short bolt

Qty: 13

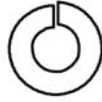
BB



M5 x 54 mm
Long bolt

Qty: 6

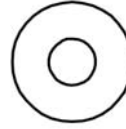
CC



Spring
washer

Qt: 13

DD



Flat
washer

Qty: 6

PREPARATION

Before beginning assembly of the product, make sure all parts are present. Compare parts with package contents list on page 5 and the hardware contents list on page 6. If any part is missing or damaged, do not attempt to assemble the product. Contact customer service for replacement parts.

Estimated Assembly Time: 15 - 20 minutes

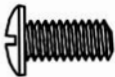

Tool Required for Assembly (not included): Phillips screwdriver

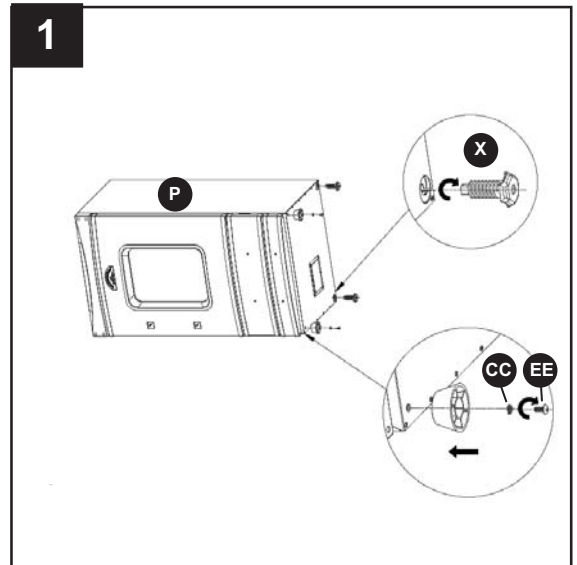
Helpful Tools (not included): Level

ASSEMBLY INSTRUCTIONS

- Carefully place the cabinet (P) on its back.
First, insert both the fixed feet (Z) into the front holes of the bottom of cabinet (P) with spring washer (CC) and short bolt (EE) and tighten.
Second, insert both adjustable feet (X) into the back holes of the bottom of the cabinet (P) and tighten.
Carefully stand the cabinet (P) upright. To level the cabinet (P), place a level (not included) on the side of the unit, adjust the adjustable feet (X) as needed so the cabinet (P) is level.

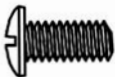

Hardware Used

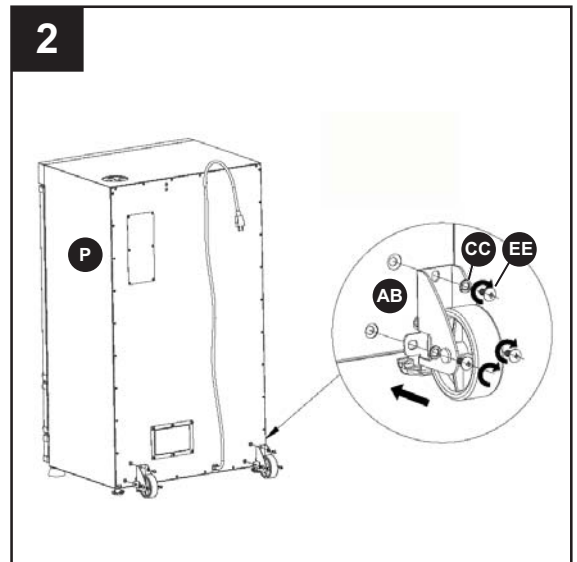
- | | | | |
|-----------|-----------------------|---|-----|
| EE | M5 x 16 mm Short bolt |  | x 2 |
| CC | Spring washer |  | x 2 |



- With the cabinet (P) in an upright position, carefully attach each wheel assembly (AB) to each side of the bottom of the cabinet (P) with spring washer (CC) and short bolt (EE) in each of the 3 bolt locations and loosely tighten. Once all 3 short bolts (EE) are adequately threaded, tighten securely.

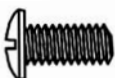

Hardware Used

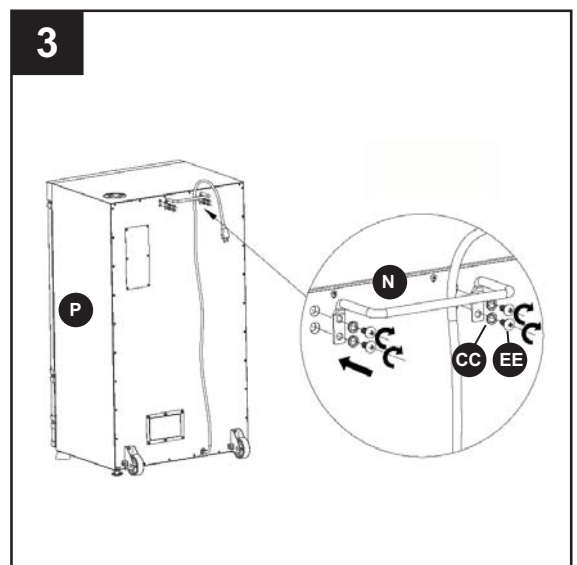
- | | | | |
|-----------|-----------------------|---|-----|
| EE | M5 x 16 mm Short bolt |  | x 3 |
| CC | Spring washer |  | x 3 |



- With the cabinet (P) still in the upright position, carefully insert spring washer (CC) and short bolt (EE) into each of the back handle (N) bolt holes and loosely tighten. Once all 4 short bolts (EE) are adequately threaded, tighten securely.

Hardware Used

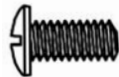
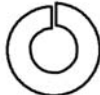
- | | | | |
|-----------|-----------------------|---|-----|
| EE | M5 x 16 mm Short bolt |  | x 4 |
| CC | Spring washer |  | x 4 |

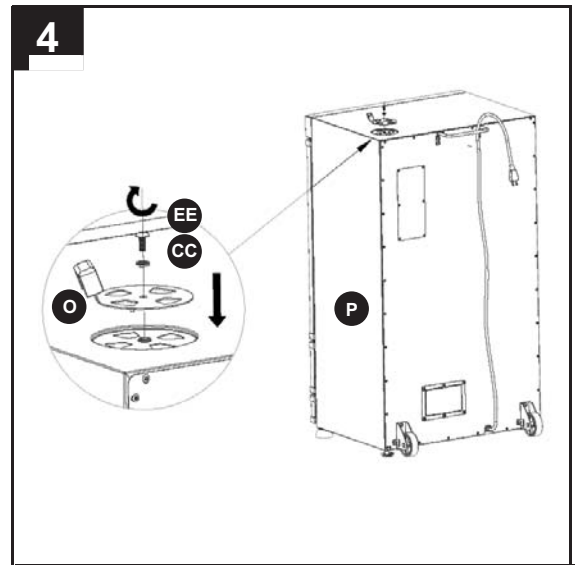


ASSEMBLY INSTRUCTIONS

4. Place spring washer (CC) and short bolt (EE) through center hole of the damper vent with guard (O) and attach to top of the cabinet (P) and tighten. Be sure not to overtighten damper vent with guard (O) as it must be able to turn for adjustment.


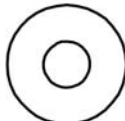
Hardware Used

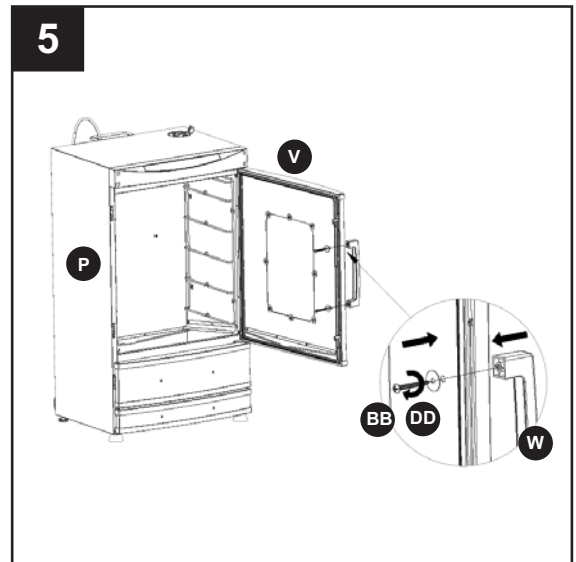
- | | | | |
|-----------|-----------------------|---|-----|
| EE | M5 x 16 mm Short bolt |  | x 1 |
| CC | Spring washer |  | x 1 |



5. Insert the flat washer (DD) and long bolt (BB) through the door (V) and partially fasten to handle (W). Once fastened, securely tighten both long bolts (BB).


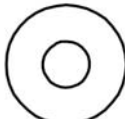
Hardware Used

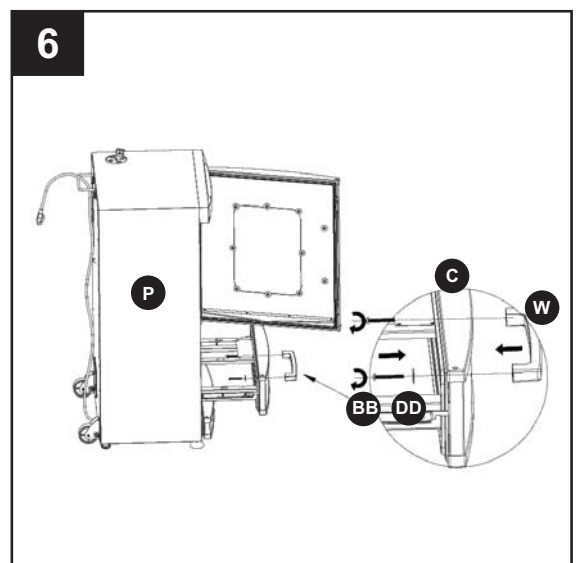
- | | | | |
|-----------|----------------------|---|-----|
| BB | M5 x 54 mm Long bolt |  | x 2 |
| DD | Flat washer |  | x 2 |



6. Insert the flat washer (DD) and long bolt (BB) through the top drawer front panel (C) and partially fasten to handle (W). Once fastened, securely tighten both long bolts (BB). Insert the flat washer (DD) and long bolt (BB) through the bottom drawer front panel (S) (not shown) and partially fasten to handle (W). Once fastened, securely tighten both long bolts (BB).

Hardware Used

- | | | | |
|-----------|----------------------|---|-----|
| BB | M5 x 54 mm Long bolt |  | x 2 |
| DD | Flat washer |  | x 2 |

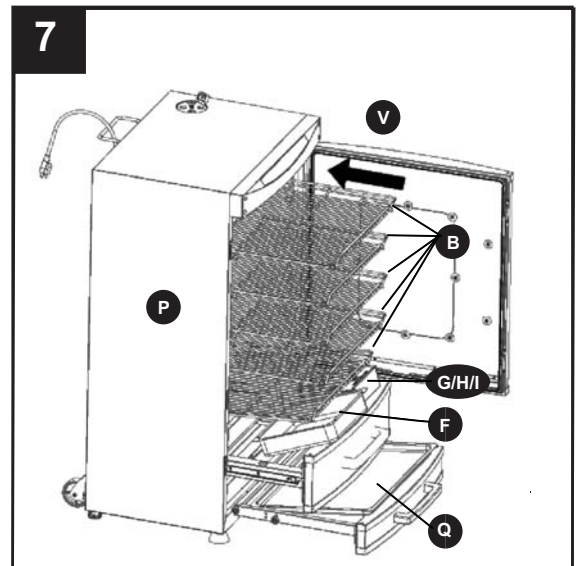


ASSEMBLY INSTRUCTIONS

7. With the top drawer completely open, carefully place the water pan (F) in the water pan frame (left side of drawer). Repeat same steps for placing wood chip box with lid (G/H/I) in the wood chip box frame (right side of the drawer).

With the bottom drawer completely open, carefully place the grease pan (Q) in grease pan frame.

Insert each smoking rack (B) into the associated rack positions. It is recommended to keep these racks inside the smoker when NOT in use. For use, only use the number of racks required to hold the meat.



INITIAL USE INSTRUCTIONS

Before you cook food in the smoker, it is important to prepare the smoker.

The below procedure is designed to clean and prepare the smoker for its initial smoking. Set the temperature of the smoker to 225°F and the time to run between 2 and 3 hours (see control panel operating instructions, page 12).

For this procedure,

- (1) The water pan should be in its drawer position with **NO WATER** in the pan.
- (2) The wood chip box and lid should **NOT** be in its drawer position.
- (3) **DO NOT** place any food in the smoker during this procedure.

At the second hour, add wood to the wood chip box, open top drawer and **CAREFULLY** insert wood chip box with lid into its drawer position. Allow the wood to burn for the remaining hour (60 minutes).

When this procedure is completed, allow the smoker to cool and remove the wood ashes and residue from a cool or cold wood chip box. Also make sure the adjacent water pan is also cool or cold when performing this clean out.

OPERATING INSTRUCTIONS



Control Panel: Push **ON/OFF** button and the LED display will show the temperature setting. The smoker is ready to set the temperature and smoking time. Note: The smoker will not start heating until both the temperature and smoking times are set.

Setting the Smoking Temperature:

1. Push the TEMP button to start the temperature setting.
2. Use the INCREASE and DECREASE buttons to set the smoker at the desired smoking temperature. Note: The maximum temperature this smoker is capable of is 275°F.
3. Once the desired temperature setting is reached, push the TEMP button once to lock in the temperature.
4. This smoker automatically defaults to the Fahrenheit (F°) scale. If you desire to use the Celsius (C°) scale instead of Fahrenheit (F°) scale, before setting the temperature, press down the TEMP button for 3 seconds and the scale will change.

Setting the Smoking Time:

1. Push the TIME button to start the smoking timer.
2. LED display should display a time reading of hours and minutes.
3. Use the INCREASE and DECREASE buttons to set the smoker timer to the desired smoking time. Note: The maximum time allowed on this smoker is 24 hours.
4. Once the desired smoking time is reached, push the TIME button once to set the timer. Note: This smoker has an automatic shut-off feature when the time reaches 00:00. If the smoking is not completed, reset timer for the remaining smoking time desired.

Checking the Meat Temperature Probe:

1. Optimally, the meat temperature probe (V) should be inserted in the meat prior to starting the smoker.
2. With the meat temperature probe (V) in the meat, the interior temperature of the meat will be displayed on the LED display when the MEAT button is pushed. Push the MEAT button again to return the LED display back to the original temperature and time settings.

Operation of Interior light:

1. To illuminate the cooking chamber, press the LIGHT button once.
2. To turn off, press the LIGHT button again.

Once started, the temperature and time on the LED display will alternate every 5 seconds.

If the control panel shows an error message, turn the smoker off and unplug it from the electrical source; wait 10 seconds, plug the smoker back in to the electrical source; and turn the smoker on. This will reset the control panel.

OPERATING INSTRUCTIONS

Adding water and wood to the smoker:

1. Open top drawer for access to the water pan and wood chip box.
2. Add water to water pan and fill up to 1 in. below the rim.
3. To add wood, lift the wood chip box lid completely off and add wood to the box.
Note: The amount and type of wood used is entirely up to you. It is recommended to start with small amounts of wood initially.
4. Once the water and wood is added, **SLOWLY** and **STEADILY** push the top drawer closed until it comes to a complete stop. Then set the temperature and timer to begin smoking.

Note: **DO NOT** set temperature and timer until the water and wood are loaded and both drawers and door are completely closed.

Checking water and wood during operation:

- To check water while the smoker is in operation and **HOT, SLOWLY** open the top drawer to prevent any splashing of remaining water in water pan. Replenish water as need - **BE CAREFUL NOT** to touch any part of the interior of the drawer or door, the wood chip box or the water pan with bare skin. Then **SLOWLY** and **CAREFULLY** push the top drawer closed until it comes to a complete stop.
- To check wood while the smoker is in operation and **HOT, SLOWLY** open the top drawer to prevent any splashing of remaining water in water pan. Use a heat-resistant oven glove or mitt to **CAREFULLY** open the wood chip box lid. Once the lid is open, using a long-handle utensil, stir the remaining wood ashes flat and carefully add wood. **BE CAREFUL NOT** to touch any part of the interior of the drawer or door, the wood chip box or the water pan with bare skin. Then **SLOWLY** and **CAREFULLY** push the top drawer closed until it comes to a complete stop.

Damper vent adjustments:

The key to effective smoking is via temperature maintenance that is controlled by a steady temperature setting and by applying different damper vent adjustments.

- Damper vent with guard (F) helps to exhaust both heat and smoke.
- Damper vent with guard (F) **SHOULD NEVER BE COMPLETELY CLOSED** during the smoker operation. Completely closing the damper vent with guard (F) can cause a dangerous build up of pressure inside the cooking chamber.
- To maintain lower temperatures, keep damper vent with guard (F) partially to fully open. Note that this will allow the heat and the smoke to escape at the same time.
- To maintain high temperatures, damper vent with guard (F) should be positioned from its smallest opening to partially open. This will keep in both heat and smoke during the operation.

COOKING INSTRUCTIONS

IMPORTANT: Before use, clean and inspect the entire smoker.

Place and fill the wood chip box with flavoring wood chips and place the wood chip box with lid in the appropriate location of the water pan/wood chip box drawer as instructed in the assembly section of this instruction manual. The amount and type of wood(s) you use is entirely up to you. Checking and adding wood to the wood chip box is covered on page 13 of this manual.

Place the water pan inside the water pan/wood chip box drawer as instructed in the assembly section of this instruction manual. Carefully fill the water pan with water (or similar liquid like beer or apple juice) up to 1 in. below the water pan rim.

DO NOT overfill or allow water to overflow from the water pan. A full water pan should last for approximately 3 or more hours. Checking and adding water to the water pan is covered on page 13 of this manual.

Insert or adjust the smoking racks to the desired positions. For better access to the food with tongs or spatulas, (1) use only the smoking racks needed for your smoking and (2) be sure the grids of the smoking racks run front-to-back as shown in the assembly section. Smoking tip: Coating the smoking rack(s) with cooking oil or spray before placing meat will help in after use clean up.


Place the food on the smoking racks in a single layer with space between each piece. This will allow smoke and hot moisture to circulate evenly around the food pieces.

Depending on the meat and size, smoking for 2 to 3 hours at the ideal constant cooking temperature of 225° to 250°F will get the best results. For more tender and heavily smoked meat, a temperature of 220° to 240°F and smoking 4 to 6 hours (or longer) may be preferred. If time is critical, a higher temperature range is recommended. One common time measurement used is to allow 45-60 minutes smoking time per pound of meat. Note this will vary for bone-in and boneless meats.

Flavoring wood tips:

- Small wood chips work best inside the wood chip box.
- Use dry hardwoods such as hickory, pecan, apple, cherry or mesquite.
- Most fruit wood and nut trees produce an excellent smoke flavoring.
- **DO NOT** use resinous woods such as pine. These usually produce an unpleasant flavoring.
- Let your taste be your guide - experiment with different types and quantities of wood chunks, chips or sticks. You may also mix different woods together.
- To produce longer smoking and prevent faster burning, pre-soak the wood in water for at least 30 minutes. [See wood chip manufacturer's instructions]
- Most smoking flavor occurs within the first few hours of smoking. Adding wood chips after this is typically not necessary unless extra-heavy smoking flavor is desired.

CARE AND MAINTENANCE

 **CAUTION:** All care and maintenance procedures are to be performed only while the smoker is turned off, completely cooled and unplugged from the electrical source.

To clean, remove the water pan, wood chip box with lid, grease pan and cooking racks from the smoker. Clean with hot, soapy water and rinse and dry thoroughly. To make cleaning easier, you may prefer to coat the cooking racks lightly with a cooking oil or cooking spray before each use.

To clean the inside and outside of the smoker cabinet, simply use a damp cloth. Spray washing with a water hose is not recommended. All moisture should be wiped away and not allowed to stay inside or on top of the smoker.

After the ashes are completely cool, remove the wood chip box with lid and thoroughly clean out all wood ashes and unburned wood, and wipe the box clean of any residue.

Make sure the grease in the grease pan is completely cool before removing the grease pan for cleaning. Dispose of the grease and wash thoroughly.

Frequently inspect and clean the smoker for insects and insect nests.

Inspect the electrical cord before each use to make sure it is in good condition. If there are signs of cuts or damage, **DO NOT** use the electrical cord.

To protect your smoker from weather and other elements, it is recommended to keep your smoker covered when not in use and stored in dry area.

It is recommended that this electric smoker is **NOT** stored outside or in an area where outside elements may have a detrimental effect on the smoker and its operation.

Weather-resistant covers for this smoker are available for purchase.

TROUBLESHOOTING

PROBLEM	POSSIBLE CAUSE	CORRECTIVE ACTION
Power indicator light does not illuminate	<ol style="list-style-type: none"> 1. Electrical cord not plugged into outlet 2. Main house fuse has been tripped 3. Wire connection on control panel is not properly connected to the cabinet 4. Control panel has malfunctioned 	<ol style="list-style-type: none"> 1. Check outlet connection 2. Check house fuses. Do not operate other appliances on same electrical circuit 3. Remove control panel and to check all wire connections 4. Do not use the smoker and contact the manufacturer
Longer than normal heating time	<ol style="list-style-type: none"> 1. Door not closed completely 2. Control panel has malfunctioned 3. Use of extension cord 	<ol style="list-style-type: none"> 1. Close door securely 2. Do not use the smoker and contact the manufacturer 3. Discontinue use of extension cord
No smoke	<ol style="list-style-type: none"> 1. No wood in wood chip box 2. Heating element is not functioning 	<ol style="list-style-type: none"> 1. Add wood to wood chip box 2. Do not use the smoker and contact the manufacturer
Control panel displaying error message	<ol style="list-style-type: none"> 1. Control panel has malfunctioned 	<ol style="list-style-type: none"> 1. Do not use the smoker and contact the manufacturer
Power indicator light is on but the smoker is not heating.	<ol style="list-style-type: none"> 1. Control panel has malfunctioned 	<ol style="list-style-type: none"> 1. Do not use the smoker and contact the manufacturer
Control panel does not adjust heat or time.	<ol style="list-style-type: none"> 1. Control panel has malfunctioned 	<ol style="list-style-type: none"> 1. Do not use the smoker and contact the manufacturer
Meat Probe does not show temperature on display.	<ol style="list-style-type: none"> 1. Meat probe is damage 2. Control panel has malfunctioned 	<ol style="list-style-type: none"> 1. Do not use the probe Contact manufacturer for replacement probe 2. Do not use the smoker and contact the manufacturer
Temperature decreases sharply or shuts down prematurely	<ol style="list-style-type: none"> 1. Control panel has malfunctioned 	<ol style="list-style-type: none"> 1. Do not use the smoker and contact the manufacturer

TROUBLESHOOTING

PROBLEM	POSSIBLE CAUSE	CORRECTIVE ACTION
Gap between the door and the cabinet	<ol style="list-style-type: none">1. Door is out of alignment2. Door seal is damaged	<ol style="list-style-type: none">1. Check outlet connection2. Do not use the smoker and contact the manufacturer
Excessive smoke is escaping through door	<ol style="list-style-type: none">1. Door is out of alignment2. Door seal is damaged	<ol style="list-style-type: none">1. Check door hinge bolts to make sure they are tight2. Do not use the smoker and contact the manufacturer
Grease leaking from cabinet	<ol style="list-style-type: none">1. Grease pan is not properly positioned2. Grease pan is filled up with grease and is overflowing	<ol style="list-style-type: none">1. Reposition grease pan2. Empty grease pan
Interior light does not illuminate	<ol style="list-style-type: none">1. Halogeon bulb is burnt out.	<ol style="list-style-type: none">1. Replace Halogeon bulb.

WARRANTY

This electric smoker is warranted to be free from defects in material and workmanship when properly assembled, used and cared for as directed in these instructions for one (1) year from the date of original retail purchase. Painted surfaces are guaranteed to be free of defects for 90 days from the date of original retail purchase (except for rust, which may appear from repeated use). This warranty does not cover damage or issues related to neglect, abuse, accident, transportation damages, commercial use or ANY modifications made to this product. Repair labor is not covered. This warranty is the only warranty offered and is in lieu of all other warranties, whether expressed or implied, which includes implied warranty, merchandising or use for a particular purpose.

REPLACEMENT PARTS LIST

PART	DESCRIPTION	PART #
A	Smoking rack side support	ES0054
B	Smoking rack	ES0053
C	Top drawer front panel	ES0059
D	Top drawer slides	ES0063
E	Bottom door hinge crossbar	ES0066
F	Water pan	ES0071
G	Wood chip box lid handle	ES0055
H	Wood chip box lid	ES0056
I	Wood chip box	ES0072
J	Top drawer support frame	ES0060
K	Bulb cover	ES0068
L	Gasket for bulb cover	ES0069
M	Halogen bulb	ES0067
N	Back handle	ES0015
O	Damper vent with guard	ES0006
P	Cabinet	ES0050
Q	Grease pan	ES0057
R	Bottom drawer support frame	ES0062
S	Bottom drawer front panel	ES0061
T	Control panel	ES0052
U	Top door hinge	ES0064
V	Door with viewing window	ES0051
W	Handles for door & drawers	ES0010
X	Adjustable feet	ES0011
Y	Bottom door hinge	ES0065
Z	Fixed Feet	ES0012
AA	Heating element	ES0058
AB	Wheel assembly	ES0014
AC	Bottom drawer wheels	ES0021
AD	Bolts for bottom drawer wheels	ES0080
AE	Nuts for bottom drawer wheels	ES0081
	Hardware blister card	ES0083

For replacement parts, call our customer service department at 1-800-321-3473, 8 a.m. - 6 p.m., EST, Monday-Thursday, 8 a.m. - 5 p.m., Friday.

PART	DESCRIPTION	PART #
EE	M5 x 16 mm short bolt	ES0078
BB	M5 x 54 mm long bolt	ES0077
CC	Spring washer	ES0032
DD	Flat washer	ES0033

FOR ILLUSTRATIONS OF THE PARTS AND HARDWARE THAT ARE AVAILABLE TO ORDER REFER TO PAGE 5, 6 AND 7 OF THIS INSTRUCTION MANUAL

Printed in China

FOOD TEMPERATURE CHART

Here is a chart for measuring properly cooked meat temperature:
(USDA Standard)

⚠ CAUTION

The below temperatures are measured with a meat probe thermometer. The heat indicator on the door of the smoker **SHOULD NOT** be used as an accurate meat temperature reading.

Ground Meats & Meat Mixtures:

Turkey	165°F (74°C)
Veal, Lamb	160°F (71°C)
Beef, Pork	160°F (71°C)

Fresh Beef:

Medium Rare	145°F (63°C)
Medium	160°F (71°C)
Well Done	170°F (77°C)

Fresh Lamb:

Medium Rare	145°F (63°C)
Medium	160°F (71°C)
Well Done	170°F (77°C)

Fresh Beef:

Medium Rare	145°F (63°C)
Medium	160°F (71°C)
Well Done	170°F (77°C)

Fresh Pork:

Medium	160°F (71°C)
Well Done	170°F (77°C)

Ham:

Fresh (raw)	160°F (71°C)
Pre-cooked	140°F (60°C)

Poultry:

Chicken (whole)	180°F (82°C)
Turkey (whole)	180°F (82°C)
Breasts, roast	170°F (77°C)
Thighs, wings	180°F (82°C)
Duck and Goose	180°F (82°C)

Fish:
Cook until opaque and flakes easily

RECIPES:

GLAZED PORK RIBS:

Ingredients:

Meat:	3 lbs Pork Spare ribs	Wood Chips:	Mesquite or Applewood
RUB:		GLAZE:	
1/3 cup black pepper	1/4 cup unsalted butter	2 tbsp Worcestershire sauce	
2 tbsp white sugar	1/4 cup vegetable oil	1/2 tsp salt	
1 tbsp salt	2/3 cup Ketchup	1 cup minced onions	
1 tbsp garlic powder	1/2 cup vinegar		
1 tbsp Lawry Salt	1/2 cup maple syrup		

Melt butter and add ingredients and cook at low heat for 30 minutes until it thickens. Stir often.

Using half of the rub mix, rub the ribs the night before and place in plastic bag and refrigerate. Before smoking, remove ribs from bag, apply remaining rub and let ribs come up to room temperature (roughly 30 minutes).

Remove cooking racks and pre-heat smoker to 225°. Add cooking racks needed (coating racks with cooking oil or cooking spray before placing ribs) and carefully place ribs on racks.

Smoke ribs for approximately 3 hours. Brush on Glaze and let smoke 30 minutes and then brush on 2nd coat of Glaze. Test ribs in 30 minutes for proper internal temperature (160°+) If done, remove the ribs from the smoker and allow to sit 15 minutes and then serve.

THANKSGIVING TURKEY:

Ingredients:

Meat:	12-15 lb turkey (maximum size)	Wood chips:	Your favorite flavoring
RUB:		BASTE:	
2 tbs Black Pepper	1 cup melted unsalted butter		
2 tbsp Salt	Any preferred seasoning can be added to baste		
2 tbsp Garlic Powder	(if more baste is desired, increase butter		
2 tbsp Sage	and seasoning)		
2 tbsp Accent			

Rub mix on all exposed parts of the turkey. Rub can also be added in cavities. Allow turkey to come up room temperature (roughly 30 minutes)

Remove cooking racks and pre-heat smoker to 225°. Center cooking rack to the chamber to allow enough room for the turkey (coating rack with cooking oil or cooking spray before placing turkey) and carefully place turkey on rack with breast side down.

Allow approximately 45 minutes smoking time per turkey pound. Baste turkey every 60-90 minutes and turn turkey slightly for every basting When turkey internal temperature at thickest part reaches 170°-175°, it should be completely cooked. Test several areas of the turkey to be sure. Remove turkey from the smoker and allow to sit 15 minutes before carving.

RECIPES:

SMOKED BOSTON BUTT

Ingredients:

Meat: 6-8 lb. Boston (Pork) Butt (or similar roast) – bone-in or boneless

Wood Chips: Mesquite or Applewood

RUB:

1/3 cup black pepper

2 tbsp white sugar

1 tbsp salt

1 tbsp garlic powder

1 tbsp Lawry Salt

1 tbsp Accent

INJECTION:

3/4 cup unsalted butter (melted)

1 tbsp garlic powder

Using half of the rub mix, rub the butt the night before and wrap in plastic wrap and refrigerate. Before smoking, remove butt from wrap, apply remaining rub and let Butt come up to room temperature (roughly 30 minutes). Carefully inject the butter mix into several areas deep inside the butt.

Remove cooking racks and pre-heat smoker to 235°. Center cooking rack to the chamber to allow enough room for the Butt (coating rack with cooking oil or cooking spray before placing butt) and carefully place Butt on the rack.

Allow approximately 45-60 minutes smoking time to Butt pounds. When butt internal temperature at thickest part reaches 165°+, it should be complete cooked. Test several areas of the Butt to be sure. Remove Butt from the smoker and allow to sit 15 minutes before carving.

SMOKED SALMON

Ingredients:

Meat: 4 lbs Salmon

Wood Chips: Hickory, Applewood, Alder

BRINE:

1 to 2 gallons cold water

2-3 cups granulated white sugar (or 2 cups granulated brown sugar)

Non-iodized salt (you can use kosher or pickling salt)

Additional flavoring like garlic or onion powder, hot sauces, lemon or soy juice, Worcestershire sauce, etc. can be added to brine.

Mix water and salt together in glass or plastic bowl, then add sugar and other flavorings. Completely immerse the salmon in brine skin side up for 2-3 hours. The thicker the filet, the more brine time required. When brine time is done, remove filet and thoroughly rinse with cold water and pat dry with paper towels. Salmon should have glossy look when finished with brine(referred to as Pellicle).

Remove cooking racks and pre-heat smoker to 220°. Use proper number of cooking racks for filets (coating rack with cooking oil or cooking spray before placing butt) and carefully place Salmon on the racks. You can place Salmon on individual heavy duty aluminum foil sheets. Be sure that (1) sheets are strong enough to lift Salmon, (2) sheets are greased with cooking oil, and (3) that there is room between individual Salmon sheets to allow proper airflow in the smoker chamber.

Allow approximately 45 minutes smoking time per pound. The Salmon should be done when white film comes to the surface, feels firm and has a golden glaze on the surface.



AHUMADOR ELÉCTRICO

MODELO #32902 / 32911



ESTE AHUMADOR DEBE
USARSE ÚNICAMENTE
EN EXTERIORES

Manual de ensamblaje y del usuario

ENSAMBLADOR / INSTALADOR:

Entregue estas instrucciones al consumidor.

CONSUMIDOR / USUARIO:

Este manual de instrucciones contiene información importante necesaria para el ensamblaje correcto y el uso seguro del electrodoméstico. Lea y respete todas las advertencias e instrucciones antes de ensamblar y utilizar este electrodoméstico. Respete todas las advertencias e instrucciones al utilizar este electrodoméstico. Guarde este manual para referencia futura.



Si no sigue estas instrucciones, podría provocar un incendio, una explosión o peligro de quemaduras que ocasione daños a la propiedad, lesiones personales o la muerte.

ÍNDICE

Medidas de seguridad importantes	3
Contenido del paquete	5
Aditamentos	7
Preparación	7
Instrucciones de ensamblaje	8
Instrucciones de uso inicial	11
Instrucciones operativas	12
Instrucciones de cocina	14
Cuidado y mantenimiento	15
Solución de problemas	16
Garantía	18
Lista de piezas de repuesto	18

IMPORTANTE: Para registro futuro, complete:

Número del modelo_____

Número de serie_____

Fecha de compra_____

Lugar de compra_____

MEDIDAS DE SEGURIDAD IMPORTANTES

Lea y comprenda completamente este manual antes de intentar ensamblar, usar o instalar el producto. Lea todas las instrucciones.

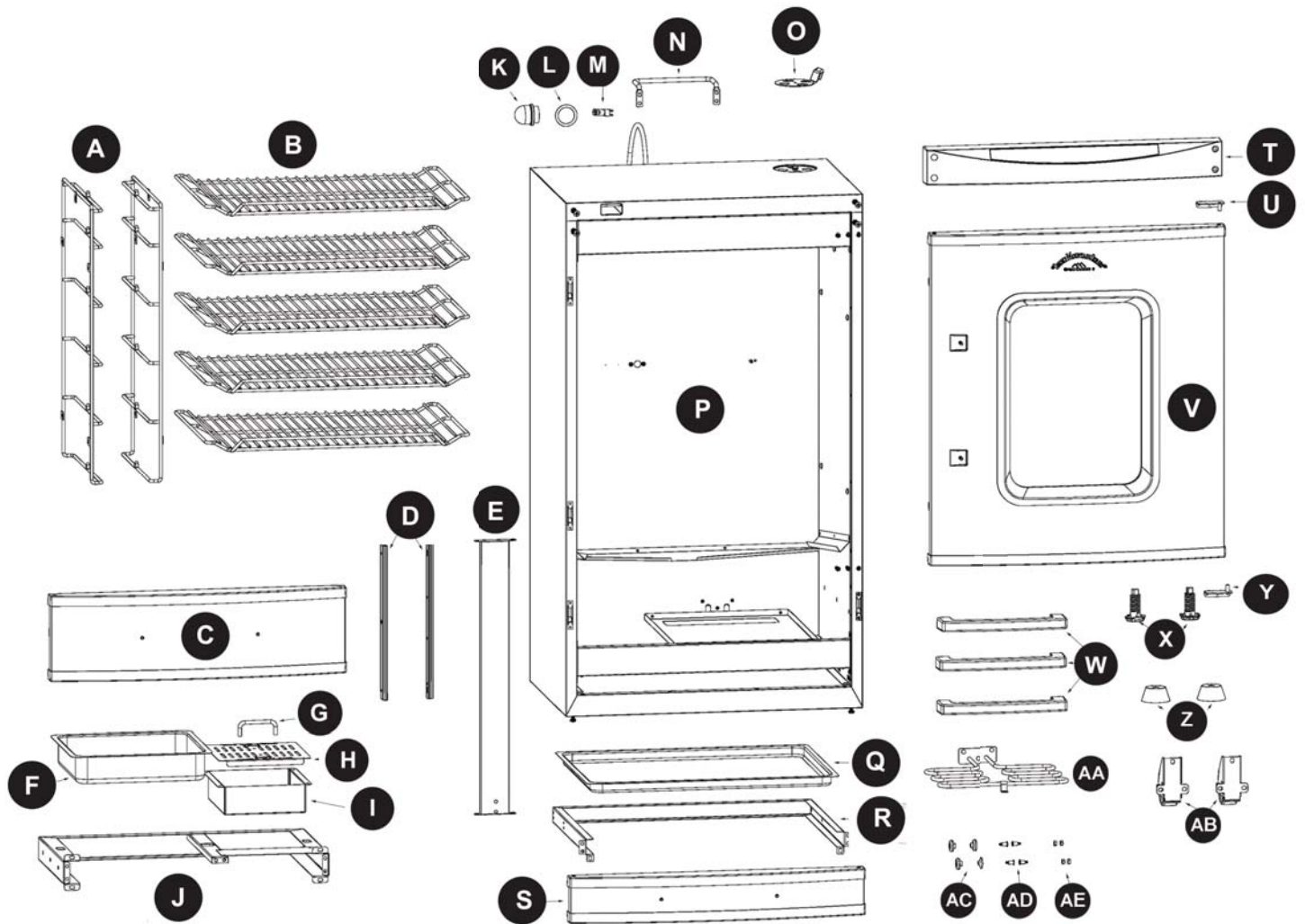
- **NO** utilice el electrodoméstico para otro fin que no sea el especificado. **NO** está destinado al uso comercial.
- **NO** está hecho para ser instalado o utilizado en vehículos recreacionales o botes.
- **NO** utilice el ahumador como calefactor.
- Utilícelo sólo en tomacorrientes con la debida puesta a tierra. Desenchufe el electrodoméstico del tomacorriente cuando no esté en uso y antes de limpiarlo. Para desconectar, gire el control a APAGADO, luego retire el enchufe del tomacorriente de pared. Deje que se enfríe antes de instalar o retirar piezas.
- **NO** utilice ningún electrodoméstico si tiene algún cable o enchufe dañado, si ha presentado fallas o si se ha dañado de alguna forma. Devuelva el electrodoméstico al local de servicio autorizado más cercano para una revisión, reparación o ajuste.
- Revise que el ahumador esté completamente ensamblado y listo para funcionar antes de conectarlo al tomacorriente. **NO** utilice ningún electrodoméstico si tiene algún cable o enchufe dañado, si ha presentado fallas o si se ha dañado de alguna forma.
- Para protección contra descarga eléctrica, no sumerja el cable, los enchufes o piezas eléctricas en agua u otros líquidos. **NO** exponga el ahumador al agua en ningún momento.
- **NO** utilice el ahumador bajo lluvia o tormenta. (Si es posible, desconecte el ahumador del tomacorriente y colóquelo en un lugar seco y protegido.
- Proteja el cable eléctrico de cualquier tipo de daño, superficies calientes y/o humedad. **NO** permita que el cable cuelgue del borde de la mesa o mesón, ni que toque superficies calientes.
- El uso de alcohol, medicamentos con o sin receta pueden afectar la capacidad del usuario para ensamblar y utilizar este ahumador de manera correcta.
- Utilice este ahumador sólo en exteriores, en lugares bien ventilados. **NO** utilice el ahumador en lugares cerrados, cocheras o bajo construcciones aéreas.
- Tenga cuidado al ensamblar y al utilizar el ahumador para evitar cortes y rasguños con los bordes ásperos o filudos.
- Tenga cuidado al levantar y/o mover el ahumador para evitar torceduras o lesiones en la espalda. Se recomienda levantar el ahumador entre dos (2) personas. **NO** mueva el ahumador mientras se encuentre funcionando. Se debe tener extrema precaución al mover un electrodoméstico que contenga aceite caliente u otros líquidos calientes.
- **NO** utilice el ahumador cerca o bajo materiales inflamables o de fácil combustión como terrazas, pórticos o entradas para automóviles. El ahumador debe estar al menos a 60,96 cm (24") de distancia de cualquier estructura o material combustible.
- Utilice el ahumador sólo sobre superficies estables, niveladas e incombustibles, como asfalto, concreto o terrenos sólidos. **NO** utilice el ahumador sobre superficies inflamables como alfombras o terrazas de madera.
- **NO** lo ubique ni utilice sobre mesas o mostradores.
- **NO** almacene el ahumador cerca de gasolina u otros líquidos combustibles o en lugares donde pueda haber vapores inflamables.
- Almacene el ahumador en interiores cuando no esté en uso, fuera del alcance de los niños. **NO** almacene ni utilice el ahumador en un área accesible para niños y mascotas. Almacene el ahumador en un lugar seco y protegido.
- **NO** descuide el ahumador mientras esté funcionando. Es necesaria una estricta supervisión cuando los niños utilizan el electrodoméstico o estén cerca de él.
- **NO** permita que se realicen actividades cerca del ahumador durante o después de su uso hasta que se haya enfriado por completo. Se calienta al utilizarlo y permanece así por un tiempo después de su uso.
- **NO** deje cenizas prendidas sin vigilancia hasta que el ahumador se haya enfriado por completo.
- **NO** toque las superficies calientes. Use las manijas o perillas. Si necesita manipular el ahumador o alguno de sus componentes mientras aún se encuentran calientes, utilice SIEMPRE guantes de protección o resistentes al calor.
- El contenedor de agua, la caja para astillas de madera y el contenedor de grasa deben permanecer dentro del ahumador mientras éste se encuentre funcionando o hasta que se haya enfriado por completo. Estos elementos contienen líquido, brasas y grasa caliente y podrían causar lesiones graves. Si necesita mover estos componentes utilice SIEMPRE guantes de horno o resistentes al calor.

MEDIDAS DE SEGURIDAD IMPORTANTES

- Para desechar las cenizas, envuélvalas en papel de aluminio resistente y luego colóquelas en un recipiente incombustible. Verifique que no haya otros materiales inflamables dentro o cerca del recipiente. Si necesita desechar brasas antes de que se enfríen por completo, retírelas del ahumador, colóquelas en papel de aluminio resistente, sumérgalas completamente en agua y luego colóquelas en un recipiente incombustible.
- **NO** cubra las rejillas del ahumador con ningún tipo de papel de aluminio, ya que esto podría ocasionar serios daños al ahumador.
- **NO** obstruya el flujo del aire de la combustión ni el aire de ventilación del ahumador.
- Tenga **CUIDADO** al manipular la tapa mientras se encuentre funcionando. Recójase el cabello largo durante el uso del ahumador. Utilice **SIEMPRE** calzado que cubra todo el pie al utilizar el ahumador.
- **NUNCA** deje utensilios de vidrio, plástico o cerámica encima o dentro del ahumador.
- **NUNCA** utilice el ahumador con el contenedor de agua vacío. **NUNCA** deje que el agua del contenedor se evapore por completo. **NO** limpie este producto con un rociador de agua o un elemento similar.
- Revise el nivel de agua al menos cada dos horas. Si siente un ruido extraño o ve humo saliendo del ahumador es posible que el nivel de agua esté demasiado bajo (debido a que habrá grasa de carne cayendo en el contenedor de agua vacío y caliente). Tenga cuidado al realizar esto ya que podría salpicarle agua caliente y causarle lesiones graves.
- Si utiliza maderas aromáticas añada una cantidad suficiente antes de utilizar el ahumador para no tener que estar añadiendo cuando el ahumador esté en funcionamiento.
- El uso de accesorios no recomendados por el fabricante del electrodoméstico podría provocar lesiones.
- Desconecte el cable eléctrico y guárdelo en un lugar seco y seguro cuando no utilice el ahumador.
- Electricidad corto (o cable de suministro de electricidad desmontable) para reducir el riesgo de enredarse o tropezar con un cable más largo. Cables de suministro de electricidad desmontables o extensiones eléctricas más largas están disponibles y se pueden utilizar si se tiene cuidado al utilizarlos. Si se utiliza un cable de suministro de electricidad desmontable o extensiones eléctricas más largas: (1) la clasificación eléctrica marcada en el juego de cables o la extensión eléctrica debe ser al menos equivalente a la del electrodoméstico, y (2) el cable debe ubicarse de manera que no quede sobre cubiertas prefabricadas o cubiertas de mesa donde un niño pueda jalarlo o donde represente un riesgo de tropiezo involuntariamente. Debe mantener la conexión de la extensión eléctrica seca y separada del suelo.
- Las extensiones eléctricas para exteriores deben utilizarse con productos para uso en exteriores. Estas extensiones tienen la superficie marcada con el sufijo “W” y una etiqueta que dice “Apto para uso con electrodomésticos para exteriores”.
- **NO** utilice el ahumador si el elemento calentador no funciona. Si esto sucede, apague el ahumador y desconecte el cable eléctrico. Revise la guía de Solución de problemas de este manual.
- **NO** utilice el ahumador si la luz de encendido o la pantalla LED no funcionan. Revise la guía de Solución de problemas de este manual.
- Revise la guía de Solución de problemas de este manual.
- **NO** coloque carbón ni pellas de madera en la bandeja para astillas de madera.
- Con este aparato no debe utilizarse combustible, tal como briquetas de carbón.
- **NO** coloque el electrodoméstico sobre o cerca de un quemador a gas o eléctrico caliente, ni dentro de un horno con calor.
- **NO** cubra el ahumador si aún se encuentra caliente.
- Todas las instalaciones deben realizarse de acuerdo con los códigos de prevención de incendios locales, federales y estatales.
- **MANTENGA** el extintor de incendios a mano en todo momento.
- La quema de madera produce monóxido de carbono, el cual puede causar la muerte.
- **NO** queme astillas de madera en el interior de casas, vehículos, carpas, garajes u otras áreas cerradas.

GUARDE ESTAS INSTRUCCIONES

CONTENIDO DEL PAQUETE



CONTENIDO DEL PAQUETE

PIEZA	DESCRIPCIÓN	CANTIDAD
A	Soporte lateral para la rejilla de ahumado (preensamblado)	2
B	Rejilla de ahumado	5
C	Panel frontal de la gaveta superior (preensamblado)	1
D	Deslizadores para las gavetas superiores (preensamblados)	2
E	Barra transversal de la bisagra de la puerta inferior (preensamblada)	1
F	Contenedor de agua	1
G	Manija de la tapa para astillas de madera	1
H	Tapa de la bandeja para astillas de madera	1
I	Bandeja para astillas de madera	1
J	Estructura del soporte de la gaveta superior (preensamblada)	1
K	Cubierta de la bombilla (preensamblada)	1
L	Empaquetadura para la cubierta de la bombilla (preensamblada)	1
M	Bombilla (preensamblada)	1
N	Manija posterior	1
O	Ducto de ventilación con protección del regulador de tiro	1
P	Gabinete	1
Q	Bandeja de recolección de grasa	1
R	Estructura del soporte de la gaveta inferior (preensamblada)	1
S	Panel frontal de la gaveta inferior (preensamblado)	1
T	Panel de control (preensamblado)	1
U	Bisagra de la puerta superior (preensamblada)	1
V	Puerta con ventanilla (preensamblada)	1
W	Manijas para puerta y gavetas	3
X	Patatas ajustables	2
Y	Bisagra de la puerta inferior (preensamblada)	1
Z	Patatas fijas	2
AA	Elemento de calefacción (preensamblado)	1
AB	Ensamble de las ruedas	2
AC	Ruedas de la gaveta inferior (preensambladas)	4
AD	Pernos para las ruedas de la gaveta inferior (preensamblados)	4
AE	Tuercas para las ruedas de la gaveta inferior (preensambladas)	4
	Tarjeta de la ampolla de la dotación física	1

ADITAMENTOS (se muestran en tamaño real)

EE



M5 x 16 mm
Perno corto

Qty: 13

BB



M5 x 54 mm
Perno largo

Qty: 6

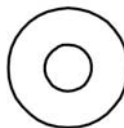
CC



Arandela
de resorte

Qt: 13

DD



Arandela
plana

Qty: 6

PREPARACIÓN

Antes de comenzar a ensamblar el producto, asegúrese de tener todas las piezas. Compare las piezas con la lista de contenido del paquete en la página 5 y la lista de aditamentos en la página 6. No intente ensamblar el producto si falta alguna pieza o si éstas están dañadas. Póngase en contacto con el Departamento de Servicio al Cliente para obtener piezas de repuesto

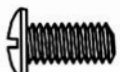
TIEMPO ESTIMADO DE ENSAMBLE: 15 a 20 minutos

Herramientas necesarias para el ensamblaje (no se incluyen): Destornillador Phillips
Herramientas útiles (no se incluyen): Nivel

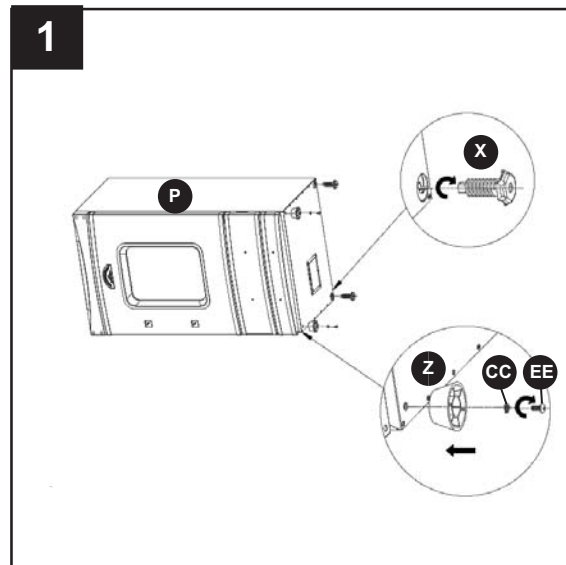
INSTRUCCIONES DE ENSAMBLAJE

1. Coloque el gabinete (P) con cuidado sobre su parte posterior. Primero, introduzca ambos pies fijos (Z) dentro de los orificios frontales de la parte inferior del gabinete (P) con arandelas de resorte (CC) y pernos cortos (EE), y apriete. Luego, introduzca ambos pies ajustables (X) dentro de los orificios posteriores de la parte inferior del gabinete (P) y apriete. Coloque el gabinete (P) erguido con cuidado. Para nivelar el gabinete (P), coloque un nivel (no se incluye) a un lado de la unidad, ajuste los pies ajustables (X) según sea necesario para que el gabinete (P) quede nivelado.

Aditamentos utilizados

EE Perno corto M5 de 16 mm  x 2

CC Arandela de resorte  x 2

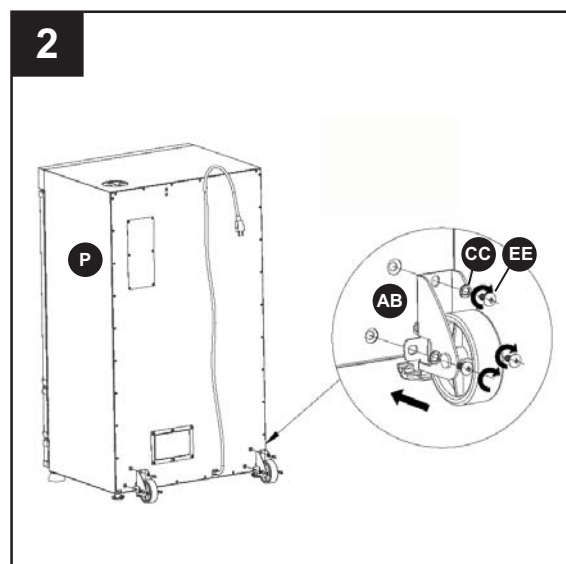


2. Con el gabinete (P) en posición erguida, fije con cuidado los ensambles de rueda (AB) a cada lado de la parte inferior del gabinete (P) con arandelas de resorte (CC) y pernos cortos (EE) en cada una de las 3 ubicaciones para pernos y apriete suavemente. Cuando los 3 pernos cortos (EE) se encuentren roscados debidamente, apriételos firmemente.

Aditamentos utilizados

EE Perno corto M5 de 16 mm  x 3

CC Arandela de resorte  x 3

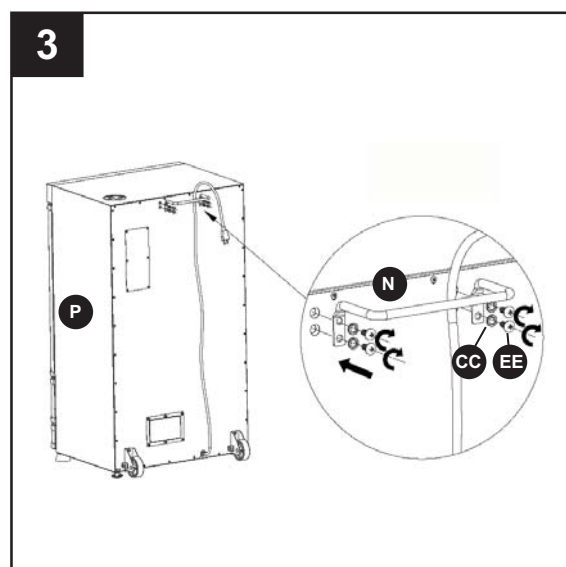


3. Con el gabinete (A) en posición erguida, introduzca cuidadosamente las arandelas de resorte (CC) y los pernos cortos (AA) dentro de los orificios para pernos de la manija posterior y apriete suavemente. Cuando los 4 pernos cortos (AA) se encuentren roscados debidamente, apriételos firmemente.

Aditamentos utilizados

EE Perno corto M5 de 16 mm  x 4

CC Arandela de resorte  x 4

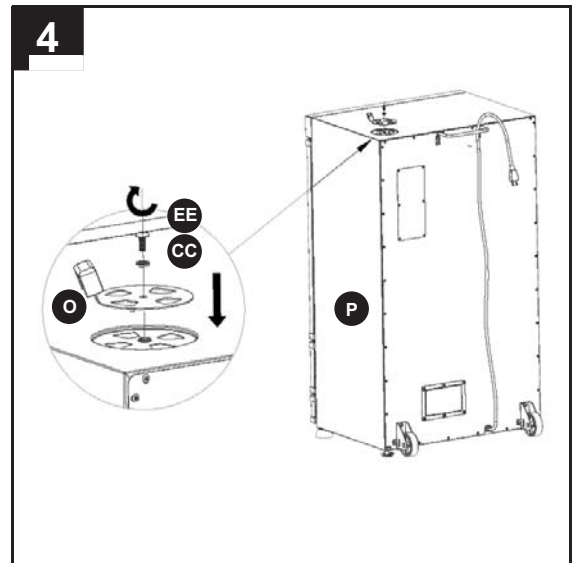


INSTRUCCIONES DE ENSAMBLAJE

4. Coloque la arandela de resorte (CC) y el perno corto (EE) en el orificio central del ducto de ventilación con el protector (O), fije todo en la parte superior del gabinete (P) y apriete. Asegúrese de no ajustar demasiado el protector (O) en el ducto de ventilación ya que debe poder girarse si se necesitan ajustes.

Aditamentos utilizados

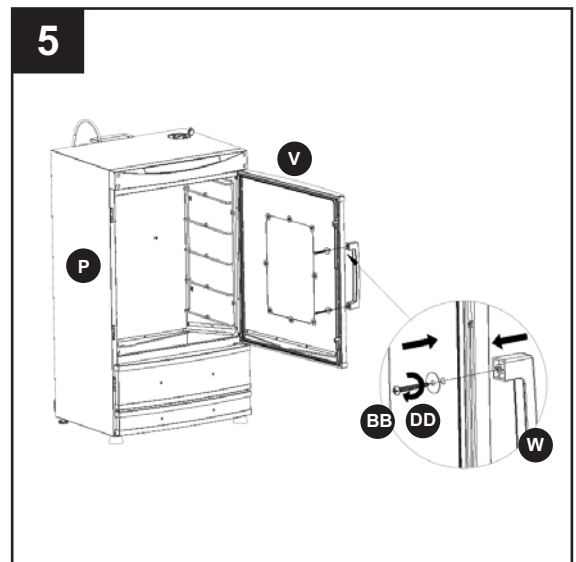
- EE** Perno corto M5 de 16 mm x 1
- CC** Arandela de resorte x 1



5. Introduzca las arandelas planas (DD) y los pernos largos (BB) en los orificios de la puerta (V) y apriételos parcialmente a la manija (W). Cuando los pernos largos (BB) estén fijados, apriételos firmemente.

Aditamentos utilizados

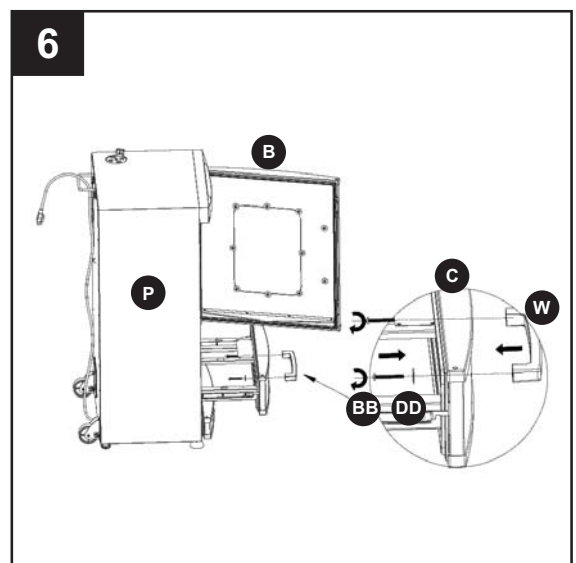
- BB** Perno largo M5 de 54 mm x 2
- DD** Arandela plana x 2



6. Introduzca las arandelas planas (DD) y los pernos largos (BB) en los orificios de la gaveta superior (P) y fíjelos parcialmente a la manija (W). Cuando los pernos largos (BB) estén fijados, apriételos firmemente. Introduzca las arandelas planas (DD) y los pernos largos (BB) en el panel delantero de la gaveta inferior (S) (no se muestra) y fíjelos parcialmente a la manija (W). Cuando los pernos largos (BB) estén fijados, apriételos firmemente.

Aditamentos utilizados

- BB** Perno largo M5 de 54 mm x 2
- DD** Arandela plana x 2

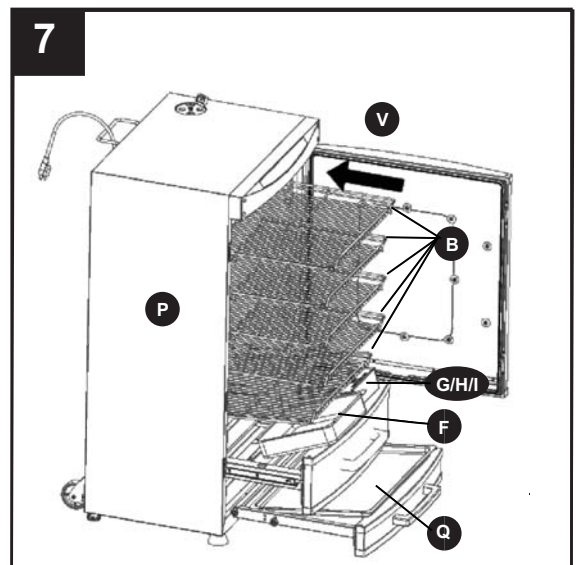


INSTRUCCIONES DE ENSAMBLAJE

7. Abra la gaveta superior completamente y, con cuidado, coloque el contenedor de agua (F) en el marco destinado para ello (al lado izquierdo de la gaveta). Repita estos pasos para instalar la bandeja para astillas de madera con tapa (G/H/I) en el marco correspondiente (al lado derecho de la gaveta)

Abra la gaveta inferior completamente y, con cuidado, instale la bandeja de recolección de grasa (Q) en el marco destinado para ello.

Introduzca las rejillas (B) en las posiciones correspondientes. Se recomienda mantener estas rejillas dentro del ahumador cuando NO lo esté utilizando. Utilice solo la cantidad de rejillas necesarias para colocar la carne.



INSTRUCCIONES DE USO INICIAL

Es importante que prepare el ahumador antes de utilizarlo para cocinar.

Siga el procedimiento a continuación para limpiar y preparar el ahumador para su primer uso. Ajuste la temperatura del ahumador a 107,2°C y el temporizador entre 2 y 3 horas (consulte Ajuste de la temperatura y tiempo en Instrucciones operativas del panel de control en la página 12)

Para este procedimiento,

- (1) El contenedor de agua debe estar VACÍO en el lugar que le corresponde dentro de la gaveta.
- (2) La bandeja para astillas de madera y su tapa NO deben estar en la gaveta.
- (3) **NO** coloque alimentos dentro del ahumador durante este procedimiento.

Cuando hayan transcurrido 2 horas, coloque madera en la bandeja para astillas de madera, abra la gaveta superior y, con cuidado, ubíquela con su tapa en el lugar que le corresponde. Deje que la madera se quemé durante la hora restante (60 minutos).

Cuando se haya completado este procedimiento, deje que el ahumador y la bandeja para astillas de madera se enfríen antes de retirar las cenizas y los residuos de madera. Además asegúrese de que el contenedor de agua al costado también se encuentre frío al realizar la limpieza.

INSTRUCCIONES OPERATIVAS



Panel de control: Presione el botón ON/OFF (encendido y apagado) y la pantalla LED mostrará los ajustes de temperatura. Ya puede ajustar la temperatura y el tiempo de funcionamiento del ahumador. Nota: El ahumador no comenzará a calentar hasta que se determinen la temperatura y el tiempo de funcionamiento del ahumador.

Ajuste de la temperatura para ahumar:

1. Para comenzar a ajustar la temperatura presione el botón TEMP (temperatura).
2. Con los botones INCREASE (aumentar) y DECREASE (disminuir) podrá ajustar el ahumador a la temperatura deseada, [tenga en cuenta que la temperatura máxima de este ahumador es de 135 °C]
3. Cuando alcance la temperatura deseada presione el botón TEMP nuevamente para confirmar este valor.

Ajuste del tiempo de ahumado:

1. Para activar el temporizador del ahumador presione el botón TIME (tiempo).
2. La pantalla LED debiera mostrar las horas y minutos.
3. Con los botones INCREASE y DECREASE podrá ajustar el temporizador al tiempo de ahumado deseado. Tenga en cuenta que el tiempo máximo permitido en este ahumador es de 24 horas.
4. Cuando ajuste el tiempo de ahumado deseado, presione el botón TIME para configurar el temporizador, [tome en cuenta que el ahumador posee una función de apagado automático cuando el tiempo llega a 00:00. Si el proceso de ahumado no se ha completado, restablezca el temporizador por el tiempo restante de ahumado deseado.

Revisión de la Sonda de temperatura de la carne:

1. De preferencia, inserte la sonda de temperatura (V) en la carne antes de encender el ahumador.
2. De esta manera la pantalla LED mostrará la temperatura (V) interna de la carne cuando presione el botón MEAT (carne). Presione el botón "MEAT" nuevamente para que la pantalla LED vuelva a mostrar las configuraciones de temperatura y tiempo originales.

Funcionamiento de la luz interior:

1. Para iluminar la cámara de cocción, presione el botón LIGHT una vez.
2. Para apagar la luz, presione el botón LIGHT nuevamente.

Cuando el ahumador comience a funcionar, la temperatura y el tiempo se verán en la pantalla LED de manera alternada cada 5 segundos.

Si el panel de control muestra un mensaje de error, apague el ahumador y desenchufe la unidad del tomacorriente; espere diez segundos, vuelva a enchufar la unidad y encienda el ahumador.

INSTRUCCIONES OPERATIVAS

PARA colocar agua y madera en el ahumador:

1. Abra la gaveta superior para obtener acceso al contenedor de agua y la bandeja para astillas de madera.
2. Agregue agua al contenedor de agua hasta alcanzar una distancia de 2,54 cm (1") del borde de éste.
3. Destape completamente la bandeja para astillas de madera antes de agregar madera.
Nota: La cantidad y el tipo de madera que utilice quedan a su completo criterio. Se recomienda utilizar cantidades menores de madera en un comienzo.
4. Cuando haya terminado de agregar el agua y la madera, presione la gaveta superior de manera LENTA y CONTINUA hasta cerrarla completamente. Luego ajuste la temperatura y el temporizador para comenzar a utilizar el ahumador.

Nota: **NO** ajuste la temperatura ni el temporizador hasta que haya agregado el agua y la madera y ambas gavetas y la puerta se encuentren completamente cerradas.

Revisión del agua y la madera durante el funcionamiento:

- Para revisar el agua mientras el ahumador se encuentre funcionando y CALIENTE, abra la gaveta superior LENTAMENTE para prevenir salpicaduras del agua que quede dentro del contenedor de agua. Agregue la cantidad de agua que sea necesaria. **TENGA CUIDADO DE NO** tocar alguna parte del interior de la gaveta o la puerta, la bandeja para astillas de madera ni el contenedor de agua con la piel descubierta. Luego presione la gaveta superior LENTAMENTE y CON CUIDADO hasta cerrarla por completo.
- Para revisar la madera mientras el ahumador se encuentre funcionando y CALIENTE, abra la gaveta superior LENTAMENTE para prevenir salpicaduras del agua que quede dentro del contenedor de agua. Utilice guantes de horno o resistentes al calor y CON CUIDADO destape la bandeja para astillas de madera. Cuando haya retirado la tapa, esparza las cenizas con la ayuda de algún utensilio de mango largo y agregue la madera con cuidado. **TENGA CUIDADO DE NO** tocar alguna parte del interior de la gaveta o la puerta, la bandeja para astillas de madera ni el contenedor de agua con la piel descubierta. Luego presione la gaveta superior LENTAMENTE y CON CUIDADO hasta cerrarla por completo.

Ajustes del ducto de ventilación:

- El ducto de ventilación con protector (F) deja escapar el calor y el humo.
- **NO SE DEBE CERRAR POR COMPLETO** el ducto de ventilación con protector (F) durante el proceso de ahumado. Si se cierra completamente el ducto de ventilación con protector (F), se puede producir una acumulación de presión peligrosa dentro de la cámara de cocción.
- Para mantener temperaturas más bajas, mantenga el ducto de ventilación con protector (F) abierto parcial o totalmente. Esto permite que escape calor y humo al mismo tiempo.
- Para mantener temperaturas altas, mantenga el ducto de ventilación con protector (F) con una apertura pequeña o parcial. Esto mantiene el calor y el humo dentro del ahumador durante el proceso de ahumado.

A INSTRUCCIONES DE COCCIÓN

IMPORTANTE: Limpie y revise el ahumador completo antes de cada uso.

Agregue madera saborizante en la bandeja para astillas de madera y colóquela con su tapa en el lugar correspondiente de la gaveta para el contenedor de agua/bandeja para astillas de madera, como se indica en la sección de ensamble de este manual de instrucciones. La cantidad y el o los tipos de madera que utilice quedan a su completo criterio. Los procedimientos para revisar y agregar madera a la bandeja para astillas de madera se encuentran en la página 12 de este manual.

Ubique el contenedor de agua dentro de la gaveta para el contenedor de agua/bandeja para astillas de madera, como se indica en la sección de ensamble de este manual de instrucciones. Rellene cuidadosamente el contenedor con agua (u otro líquido similar como cerveza o jugo de manzana) hasta que quede a 2,54 cm (1") bajo su borde.

NO rebalse ni permita que escape líquido desde el interior del contenedor de agua. El contenedor de agua debiera durar alrededor de 3 horas cuando está lleno. Los procedimientos para revisar y agregar agua al contenedor se encuentran en la página 13 de este manual.

Inserte o ajuste las rejillas hasta ubicarlas en la posición deseada. Para facilitar el acceso a la comida utilizando tenazas o espátulas, (1) utilice sólo las rejillas que necesite y (2) compruebe que las rejillas están ubicadas correctamente, cómo se muestra en la sección de ensamble. Consejo para ahumar: Cubrir la o las rejillas con aceite de cocina o aceite en aerosol antes de colocar la carne, facilitará su limpieza después de su uso.


Coloque una sola capa de carne sobre las rejillas dejando un espacio entre cada trozo. Esto permitirá que el humo y el vaho caliente circulen de manera equitativa alrededor de los alimentos.

Dependiendo del tipo y tamaño de la carne, podrá obtener mejores resultados ahumando entre 2 y 3 horas idealmente a una temperatura constante de entre 107,2° y 121,1°C. Si desea que la carne quede más tierna y con un sabor más intenso, cocine entre 104,4° y 115,5°C entre 4 y 6 horas (o más). Si no cuenta con mucho tiempo, se recomienda utilizar un rango de temperatura mayor. Una medida de tiempo comúnmente utilizada es dejar ahumar entre 45 y 60 minutos por cada 0,45 kg de carne. Tome en cuenta que esto varía dependiendo de si la carne tiene o no tiene hueso.

Consejos sobre la madera saborizante:

- Las astillas de madera pequeñas actúan mejor en la bandeja.
- Utilice maderas duras secas como nogal americano, pecana, manzano, cerezo o mezquite.
- La mayoría de las maderas de árboles frutales o de frutos secos producen un excelente sabor al ahumar.
- **NO** utilice maderas resinosas como pino. Por lo general, estas maderas producen un sabor desagradable.
- Guíese por su sentido del gusto, experimente con distintos tipos y cantidades de trozos, astillas o palos de madera. Pruebe mezclar distintos tipos de madera.
- Para producir humo por más tiempo y evitar que la madera se queme muy rápido, sumerja la madera en agua por al menos 30 minutos antes de utilizarla. [Revise las instrucciones del fabricante de las astillas de madera]
- Gran parte del sabor ahumado se obtiene dentro de las primeras horas de cocción. Generalmente no es necesario agregar

A CUIDADO Y MANTENIMIENTO

 **¡PRECAUCIÓN!** Realice todos los procedimientos de cuidado y mantenimiento cuando el ahumador esté apagado, completamente frío y desconectado de fuentes de energía eléctrica

Para limpiar, retire el contenedor de agua, la bandeja para astillas de madera con su tapa, la bandeja recolectora de grasa y las rejillas del ahumador. Realice la limpieza utilizando agua caliente con jabón y luego enjuague y seque completamente. Para facilitar la limpieza, le conviene cubrir las rejillas con un poco de aceite de cocina o aceite en aerosol antes de cada uso.

Para limpiar el interior y el exterior del gabinete del ahumador, simplemente utilice un paño húmedo. No se recomienda lavar el ahumador rociando agua directamente de una manguera. Se deben secar los restos de humedad y no permitir que queden al interior o en la parte superior del ahumador.

Luego de que las cenizas se enfríen, retire la bandeja para astillas de madera con su tapa, luego elimine todas las cenizas.

Verifique que la grasa de la bandeja recolectora de grasa esté completamente fría antes de retirarla para realizar su limpieza. Deseche la grasa y lave minuciosamente.

Revise con frecuencia que no haya nidos de insectos ni insectos en el ahumador.

Revise el cable eléctrico antes de cada uso para asegurarse de que se encuentre en buenas condiciones. NO utilice el cable eléctrico si presenta cortes o está dañado.

Se recomienda mantener el ahumador cubierto y almacenado en un lugar seco para protegerlo del clima y otros elementos.

Se recomienda NO almacenar este ahumador eléctrico a la intemperie o en lugares donde elementos externos puedan tener efectos perjudiciales para el ahumador o su funcionamiento.

Existen cubiertas resistentes al clima para este ahumador disponibles a la venta.

SOLUCIÓN DE PROBLEMAS

PROBLEMA	CAUSA POSIBLE	ACCIÓN CORRECTIVA
El indicador de POWER (alimentación) no se enciende	<ol style="list-style-type: none"> 1. El cable eléctrico no está conectado al tomacorriente 2. El fusible principal de la casa se activó 3. La conexión de cables del panel de control no está correctamente conectada al gabinete 4. El panel de control funcionó de manera incorrecta 	<ol style="list-style-type: none"> 1. Revise la conexión de salida 2. Revise los fusibles de la casa. No utilice otros electrodomésticos en el mismo circuito eléctrico. 3. Retire el panel de control y revise todas las conexiones de los cables. 4. No utilice el ahumador y póngase en contacto con el fabricante.
El ahumador tarda demasiado en calentarse	<ol style="list-style-type: none"> 1. La puerta no está completamente cerrada 2. El panel de control funcionó de manera incorrecta 3. Uso de extensiones eléctricas 	<ol style="list-style-type: none"> 1. Revise que la puerta esté bien cerrada 2. No utilice el ahumador y póngase en contacto con el fabricante. 3. Deje de utilizar la extensión eléctrica
No hay humo	<ol style="list-style-type: none"> 1. No hay madera en la bandeja para astillas de madera 2. El elemento calentador no funciona 	<ol style="list-style-type: none"> 1. Coloque madera en la bandeja para astillas de madera 2. No utilice el ahumador y póngase en contacto con el fabricante.
El panel de control muestra un mensaje de error	<ol style="list-style-type: none"> 1. El panel de control funcionó de manera incorrecta 	<ol style="list-style-type: none"> 1. No utilice el ahumador y póngase en contacto con el fabricante.
La luz de ENCENDIDO está prendida pero el ahumador no se calienta	<ol style="list-style-type: none"> 1. El panel de control funcionó de manera incorrecta 	<ol style="list-style-type: none"> 1. No utilice el ahumador y póngase en contacto con el fabricante.
El panel de control no permite ajustar la temperatura o el temporizador.	<ol style="list-style-type: none"> 1. El panel de control funcionó de manera incorrecta 	<ol style="list-style-type: none"> 1. No utilice el ahumador y póngase en contacto con el fabricante.
La pantalla no muestra la temperatura de la sonda de temperatura de la carne	<ol style="list-style-type: none"> 1. La sonda para carne está dañada. 2. El panel de control funcionó de manera incorrecta. 	<ol style="list-style-type: none"> 1. No utilice la sonda. Póngase en contacto con el fabricante y solicite una nueva sonda 2. No utilice el ahumador y póngase en contacto con el fabricante.
La temperatura disminuye repentinamente o el ahumador se apaga antes de lo debido	<ol style="list-style-type: none"> 1. El panel de control funcionó de manera incorrecta 	<ol style="list-style-type: none"> 1. No utilice el ahumador y póngase en contacto con el fabricante.

SOLUCIÓN DE PROBLEMAS

PROBLEMA	CAUSA POSIBLE	ACCIÓN CORRECTIVA
Existe una separación entre la puerta y el gabinete	<ol style="list-style-type: none">1. La puerta está desalineada.2. El sello de la puerta está dañado	<ol style="list-style-type: none">1. Revise la conexión de salida2. No utilice el ahumador y póngase en contacto con el fabricante
Hay demasiado humo saliendo por la puerta	<ol style="list-style-type: none">1. La puerta está desalineada.2. El sello de la puerta está dañado	<ol style="list-style-type: none">1. Revise los pernos de las bisagras de la puerta y asegúrese de que estén bien apretadas.2. No utilice el ahumador y póngase en contacto con el fabricante
Hay filtraciones de grasa saliendo del gabineter	<ol style="list-style-type: none">1. La bandeja de recolección de grasa está mal posicionada2. La bandeja de recolección de grasa está llena y se está rebalsando	<ol style="list-style-type: none">1. Reposicione la bandeja de recolección de grasa2. Vacíe la bandeja de recolección de grasa
La luz interior no se enciende	<ol style="list-style-type: none">1. La bombilla de halógeno está quemada.	<ol style="list-style-type: none">1. Reemplace la bombilla de halógeno.

GARANTÍA

Se garantiza que este ahumador eléctrico no presentará defectos de fabricación ni de materiales durante un período de un (1) año desde la fecha de compra original, siempre y cuando sea correctamente ensamblado y reciba el uso y el cuidado indicados en estas instrucciones. Se garantiza que la pintura de las superficies no presentará defectos por 90 días desde la fecha de compra original (a excepción del óxido que podría aparecer a causa de su uso reiterado). Esta garantía no cubre problemas relacionados con daños por causa del mal uso del producto, el uso excesivo, los accidentes, el transporte, su uso comercial o CUALQUIER tipo de modificación hecha al producto. Los gastos de reparación no están cubiertos. Esta garantía es la única garantía ofrecida y reemplaza a todas las demás garantías, ya sean expresas o.

LISTA DE PIEZAS DE REPUESTO

PIEZA	DESCRIPCIÓN	PIEZA #
A	Soporte lateral para la rejilla de ahumado	ES0054
B	Rejilla de ahumado	ES0053
C	Panel frontal de la gaveta superior	ES0059
D	Deslizadores para las gavetas superiores	ES0063
E	Barra transversal de la bisagra de la puerta inferior	ES0066
F	Contenedor de agua	ES0071
G	Manija de la tapa para astillas de madera	ES0055
H	Tapa de la bandeja para astillas de madera	ES0056
I	Bandeja para astillas de madera	ES0072
J	Estructura del soporte de la gaveta superior	ES0060
K	Cubierta de la bombilla	ES0068
L	Empaquetadura para la cubierta de la bombilla	ES0069
M	Bombilla	ES0067
N	Manija posterior	ES0015
O	Ducto de ventilación con protección del regulador de tiro	ES0006
P	Gabinete	ES0050
Q	Bandeja de recolección de grasa	ES0057
R	Estructura del soporte de la gaveta inferior	ES0062
S	Panel frontal de la gaveta inferior	ES0061
T	Panel de control	ES0052
U	Bisagra de la puerta superior	ES0064
V	Puerta con ventanilla	ES0051
W	Manijas para puerta y gavetas	ES0010
X	Patatas ajustables	ES0011
Y	Bisagra de la puerta inferior	ES0065
Z	Patatas fijas	ES0012
AA	Elemento de calefacción	ES0058
AB	Ensamble de las ruedas	ES0014
AC	Ruedas de la gaveta inferior	ES0021
AD	Pernos para las ruedas de la gaveta inferior	ES0080
AE	Tuercas para las ruedas de la gaveta inferior	ES0081
	Tarjeta de la ampolla de la dotación física	ES0083

Para obtener piezas de repuesto, llame a nuestro Departamento de Servicio al Cliente al 1-800-321-3473, de lunes a jueves de 8 a.m. a 6 p.m. y los viernes de 8 a.m. a 5 p.m., hora estándar del Este.

PIEZA	DESCRIPCIÓN	PIEZA #
EE	M5 x 16 mm Perno corto	ES0078
BB	M5 x 54 mm Perno long	ES0077
CC	Arandela de resorte	ES0032
DD	Arandela plana	ES0033

LAS ILUSTRACIONES DE LAS PIEZAS Y ADITAMENTOS QUE ESTÁN DISPONIBLES PARA SOLICITAR ESTÁN EN LAS PÁGINAS 5, 6 Y 7 DE ESTE MANUAL DE INSTRUCCIONES

Impreso en CHINA

TABLA DE TEMPERATURA DE LA CARNE

Esta tabla se aplica para medir la temperatura de la carne cocida de manera adecuada:
(Norma USDA)

PRECAUCIÓN

Las temperaturas mostradas a continuación se miden con una sonda de temperatura de la carne, como la que viene incluida con este ahumador o pueden medirse con un termómetro de sonda independiente.

Carne molida y mezcla de carnes:

Pavo	73,8°C (165°F)
Ternera, cordero	71,1°C (160°F)
Res, cerdo	71,1°C (160°F)

Res fresca:

Medio roja	62,8°C (145°F)
Medio	71,1°C (160°F)
Bien cocido	76,7°C (170°F)

Cordero fresco:

Medio roja	62,8°C (145°F)
Medio	71,1°C (160°F)
Bien cocido	76,7°C (170°F)

Cerdo fresco:

Medio	71,1°C (160°F)
Bien cocido	76,7°C (170°F)

Jamón:

Fresco (crudo)	71,1°C (160°F)
Precocido	60°C (140°F)

Aves:

Pollo (entero)	82,2°C (180°F)
Pavo (entero)	82,2°C (180°F)
Pechuga, asada	76,7°C (170°F)
Muslos, alas	82,2°C (180°F)
Pato y ganso	82,2°C (180°F)

Pescado:

Cocine hasta que obtenga un color opaco y se pueda desmenuzar fácilmente

RECETAS:

COSTILLAS DE CERDO GLASEADAS:

Ingredientes:

Carne:	1,36 kg de costillas de cerdo	Astillas de madera:	Mezquite o manzano
ESPECIAS:	GLASEADO:		
1/3 de taza de pimienta negra:	1/4 de taza de mantequilla sin sal	2 cucharadas de salsa Worcestershire	
2 cucharadas de azúcar blanca	1/4 de taza de aceite vegetal	1/2 cucharada de sal	
1 cucharada de sal	2/3 de taza de ketchup	1 de taza de cebolla picada	
1 cucharada de ajo en polvo	1/2 de tazas de vinagre		
1 cucharada de sal Lawry	1/2 de taza de jarabe de arce		

Derrita la mantequilla, luego agregue los ingredientes y cocine a fuego lento por 30 minutos hasta que el líquido tome consistencia. Revuelva de vez en cuando.

Aplique la mitad de la mezcla de especias sobre las costillas y déjelas en una bolsa plástica dentro del refrigerador por una noche. Antes de ahumar, retire las costillas de la bolsa, aplique el resto de la mezcla de especias y espere a que las costillas alcancen la temperatura ambiente (aproximadamente 30 minutos).

Retire las rejillas de cocción y caliente previamente el ahumador a 107,2°C. Coloque las rejillas necesarias (cúbralas con aceite de cocina o aceite en aerosol antes de colocar las costillas) y ubique las costillas con cuidado sobre las rejillas.

Deje las costillas en el ahumador durante aproximadamente 3 horas. Aplique glaseado con una brocha y deje ahumar por 30 minutos. Luego aplique una segunda capa de glaseado. Revise que las costillas tengan la temperatura interna apropiada (71,1° +). Si ya están listas retírelas del ahumador y déjelas reposar por 15 minutos antes de servir.

PAVO PARA EL DÍA DE GRACIAS:

Ingredientes:

Carne:	5,44 a 6,80 kg de pavo (tamaño máximo)	Astillas de madera:	Su sabor favorito
ESPECIAS:	PRINGUE:		
2 cucharadas de pimienta negra	1 taza de mantequilla derretida sin sal		
2 cucharadas de sal	Agregue su condimento favorito a la pasta		
2 cucharadas de ajo en polvo	(si necesita más priste agregue mantequilla:		
2 cucharadas de salvia	y condimente)		
2 cucharadas de sal accent			

Aplique la mezcla sobre todas las partes visibles del pavo. También puede agregar un poco en las cavidades. (Espere a que el pavo alcance la temperatura ambiente (aproximadamente 30 minutos)

Retire las rejillas de cocción y caliente previamente el ahumador a 107,2°C. Ubique la rejilla en el centro de la cámara de modo que haya suficiente espacio para el pavo (cubra las rejillas con aceite de cocina o aceite en aerosol antes de colocar el pavo) y ubique el pavo con cuidado sobre las rejillas con la pechuga hacia abajo.

Deje el pavo ahumar por 45 minutos por cada 0,45 kg de su peso. Pringue el pavo cada 60 a 90 minutos girando ligeramente el pavo cada vez. Cuando la temperatura interna del pavo en su parte más gruesa alcance entre 76,7° a 79,4° C significa que debiera estar listo.

Revise distintas partes del pavo para estar seguro. Retire el pavo del ahumador y déjelo reposar durante 15 minutos antes de trincharlo.

RECETAS:

PALETILLA DE CERDO AHUMADA

Ingredientes:

Carne: 2,72 a 3,63 kg de paletilla (de cerdo) Boston (o preparación similar), con o sin hueso

Astillas de madera: Mezquite o manzano

ESPECIAS:

1/3 de taza de pimienta negra
2 cucharadas de azúcar blanca
1 cucharada de sal
1 cucharada de ajo en polvo
1 cucharada de sal Lawry
1 cucharada de sal Accent

INYECCIÓN:

3/4 de taza de mantequilla (derretida) sin sal
1 cucharada de ajo en polvo

Aplique la mitad de la mezcla de especias sobre la carne y déjela en un envoltorio plástico dentro del refrigerador por una noche. Antes de ahumar, retire la carne del envoltorio, aplique el resto de la mezcla de especias y espere a que la carne alcance la temperatura ambiente (aproximadamente 30 minutos). Inyecte cuidadosamente la mezcla de mantequilla en distintas partes de la paletilla.

Retire las rejillas de cocción y caliente previamente el ahumador a 112,8°. Ubique la rejilla en el centro de la cámara de modo que haya suficiente espacio para la carne (cubra las rejillas con aceite de cocina o aceite en aerosol antes de colocar la carne) y ubique la carne con cuidado sobre las rejillas.

Deje la carne ahumar entre 45 y 60 minutos por cada 0,45 kg de su peso. Cuando la temperatura interna de la carne supere los 73,9° en su parte más gruesa, significa que debiera estar lista. Revise distintas partes de la paletilla para estar seguro. Retire la carne del ahumador y déjela reposar durante 15 minutos.

SALMÓN AHUMADO

Ingredientes:

Carne: 1,81 kg de salmón

Astillas de madera: Nogal americano, manzano, aliso

SALMUERA:

3,79 a 7,57 litros de agua helada

2 a 3 tazas de azúcar blanca granulada (o 2 tazas de azúcar rubia granulada) sal sin yodo (puede usar sal kosher o sal para encurtidos).

Se puede agregar sabores adicionales a la salmuera, como ajo o cebolla en polvo, salsas picantes, limón o jugo de soya, salsa Worcestershire, etc.

Mezcle el agua con la sal en un tazón de plástico y luego añada azúcar y otros saborizantes.. Sumerja completamente el salmón en la salmuera dejando la parte de la piel hacia arriba, entre 2 y 3 horas. Mientras más grueso sea el corte, más tiempo necesitará reposar el salmón en la salmuera. Cuando haya transcurrido el tiempo necesario, retire el salmón de la salmuera, enjuáguelo bien con agua helada y luego séquelo con toallas de papel. El salmón debiera lucir brillante después de sacarlo de la salmuera (conocido como película)

Retire las rejillas de cocción y caliente previamente el ahumador a 104,4°. Utilice sólo las rejillas necesarias para el salmón (cubra las rejillas con aceite de cocina o aceite en aerosol antes de colocar la carne) y ubique el salmón sobre las rejillas. Puede usar hojas individuales de papel de aluminio para trabajo pesado para colocar el salmón. Asegúrese de que (1) las hojas sean lo suficientemente firmes para sostener el salmón, (2) las hojas estén cubiertas de aceite de cocina, y (3) que haya espacio entre las hojas de modo de permitir una circulación de aire apropiada dentro de la cámara del ahumador.

Deje ahumar por 45 minutos por cada 0,45 kg de su peso. El salmón debiera estar listo cuando la película blanca quede en la superficie, cuando se sienta firme y tenga un glaseado dorado en la superficie.



FUMOIR ÉLECTRIQUE

MODÈLE #32902 / 32911



**CE FUMOIR EST CONÇU
POUR UNE UTILISATION
À L'EXTÉRIEUR
SEULEMENT.**

Manuel d'utilisation et d'assemblage

ASSEMBLEUR/INSTALLATEUR :

Remettez ces instructions au consommateur.

CONSOMMATEUR/UTILISATEUR :

Ce manuel d'instructions contient des renseignements importants essentiels au bon assemblage et à l'utilisation sécuritaire de cet appareil. Avant d'assembler et d'utiliser cet appareil, lisez et suivez tous les avertissements ainsi que toutes les instructions. Lorsque vous utilisez cet appareil, suivez tous les avertissements et toutes les instructions. Veuillez conserver ce guide pour vous y référer ultérieurement.



**Le non-respect de ces instructions peut entraîner des risques d'incendie,
d'explosion ou de brûlure, et causer des dommages matériels,
des blessures ou la mort.**

TABLE DES MATIÈRES

Mesures de sécurité importantes	3
Contenu de l'emballage	5
Quincaillerie incluse	7
Préparation	7
Instructions pour l'assemblage ou l'installation	8
Instructions pour la première utilisation	11
Mode d'emploi	12
Instructions pour la cuisson	14
Entretien	15
Dépannage	16
...	
Garantie	18
...	
Liste des pièces de rechange	18

IMPORTANT : Pour vos dossiers, veuillez noter les informations suivantes :

Numéro de modèle _____

Numéro de série _____

Date d'achat _____

Lieu d'achat _____

MESURES DE SÉCURITÉ IMPORTANTES

Prenez soin de lire et de comprendre l'intégralité de ce manuel avant de tenter d'assembler, d'installer ou d'utiliser le produit. Lisez toutes les instructions.

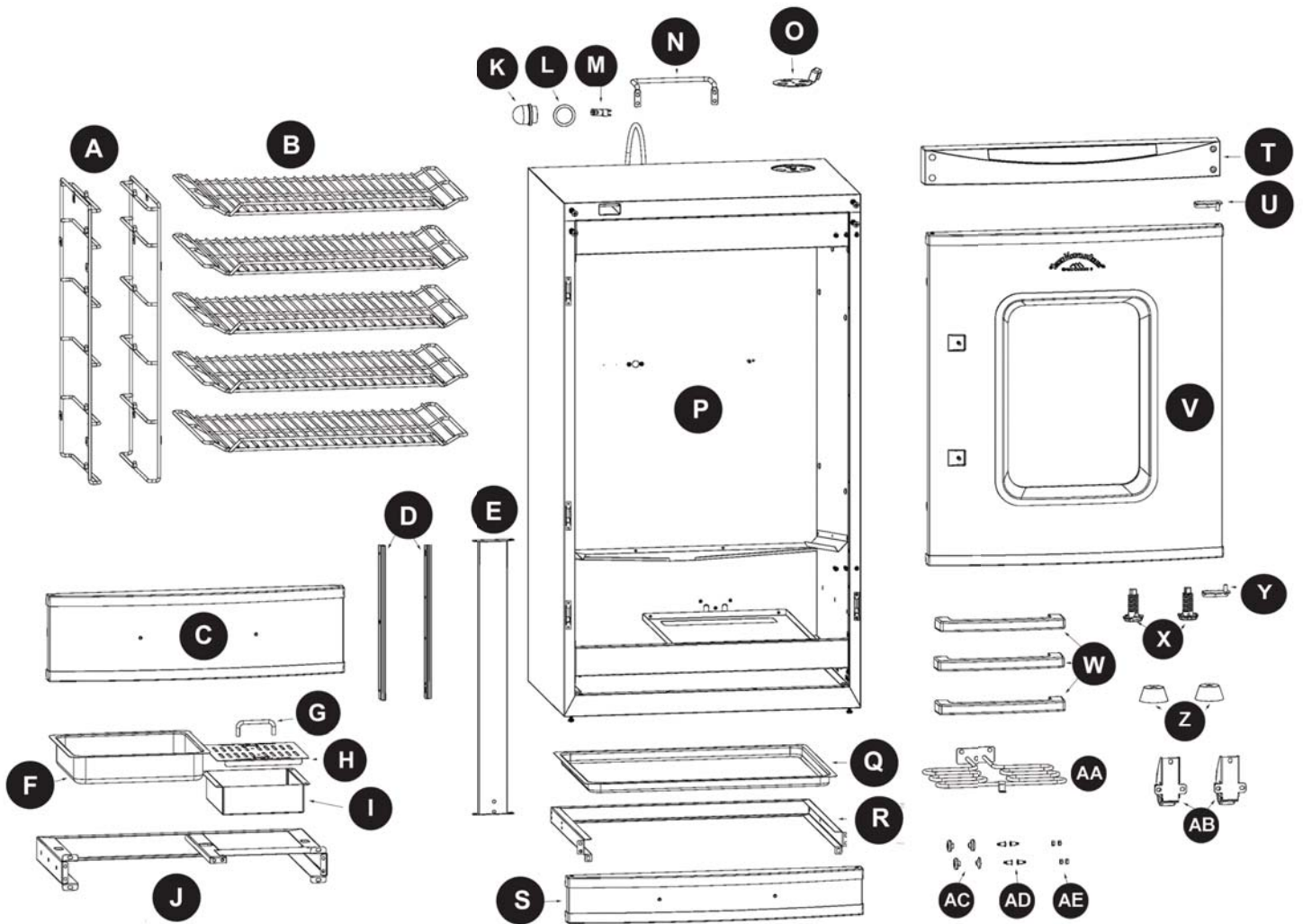
- N'utilisez PAS l'appareil pour un usage autre que celui auquel il est destiné. Il N'est PAS destiné à un usage commercial.
- Il N'est PAS destiné à l'installation ou à l'usage à bord d'un véhicule récréatif ou d'un bateau.
- Ce fumoir **NE** doit PAS être utilisé comme appareil de chauffage.
- Branchez-le toujours sur une prise mise à la terre. Débranchez l'appareil de la prise lorsque vous ne l'utilisez pas ou lorsque vous le nettoyez. Pour débrancher l'appareil, réglez le bouton de commande à la position d'arrêt, puis retirez la fiche de la prise murale. Laissez-le refroidir avant d'ajouter ou de retirer des pièces.
- Assurez-vous que le fumoir est complètement assemblé et est prêt à l'utilisation avant de le brancher sur une prise de courant. N'utilisez AUCUN appareil muni d'un cordon ou d'une fiche endommagé, qui a subi une défaillance, qui est tombé ou qui a été endommagé de quelque façon que ce soit. Rapportez l'appareil au centre de service agréé pour inspection, réparation ou réglage.
- Afin d'éviter tout choc électrique, n'immergez pas le cordon d'alimentation, les fiches, ni les pièces électriques dans l'eau ou dans d'autres liquides. Le fumoir **NE** doit EN AUCUN CAS être exposé à l'eau.
- **NE FAITES PAS** fonctionner le fumoir lorsqu'il pleut ou pendant un orage. Si possible, débranchez l'appareil de la prise de courant et mettez-le à l'abri dans un endroit sec.
- Protégez le cordon d'alimentation de tout dommage, des surfaces chaudes et de l'humidité. **NE** laissez PAS le cordon d'alimentation pendre sur le rebord d'une table ou d'un comptoir ni entrer en contact avec une surface chaude.
- L'usage d'alcool, de médicaments ou de drogue peut altérer l'habileté de l'utilisateur à assembler le fumoir correctement et à le faire fonctionner de façon sécuritaire.
- Ce fumoir ne doit être utilisé qu'À L'EXTÉRIEUR seulement, dans un endroit bien aéré. N'utilisez PAS le fumoir à l'intérieur, dans un garage ou toute autre pièce fermée ni à l'abri d'une quelconque structure comportant un toit.
- Faites preuve de prudence lorsque vous assemblez et utilisez le fumoir afin d'éviter les coupures et les égratignures que peuvent causer les rebords rugueux ou les arêtes vives.
- Faites preuve de prudence lorsque vous soulevez ou déplacez le fumoir afin d'éviter les blessures provoquées par l'effort, notamment les blessures au dos. Nous recommandons que le fumoir, s'il doit être soulevé, soit soulevé par deux (2) personnes. **NE** déplacez PAS le fumoir pendant qu'il est en marche. Vous devez faire preuve d'une extrême prudence lorsque vous déplacez un appareil qui contient de l'huile chaude ou tout autre liquide chaud.
- N'utilisez PAS le fumoir à proximité d'une structure faite de matériaux inflammables ou combustibles (par exemple, terrasse en bois, véranda ou abri d'auto) ni sous une telle structure. Un dégagement minimal de 60,1 cm (24 po) doit être maintenu entre le fumoir et toute structure ou tout matériau combustible.
- Utilisez le fumoir uniquement sur une surface stable, DE NIVEAU et ininflammable, par exemple une surface revêtue d'asphalte ou de ciment ou un terrain ferme. N'UTILISEZ PAS le fumoir sur une surface inflammable, par exemple un sol recouvert de tapis ou une terrasse en bois.
- Le fumoir **NE** doit PAS être placé ni utilisé sur une table ou un comptoir.
- **NE** rangez PAS le fumoir dans un endroit près duquel se trouve de l'essence ou tout autre liquide inflammable ou dans un endroit où des vapeurs inflammables sont susceptibles d'être présentes.
- Lorsque vous n'utilisez pas le fumoir, rangez-le à l'intérieur, hors de la portée des enfants. Le fumoir **NE** doit PAS être rangé ni utilisé dans un endroit accessible aux enfants ou aux animaux domestiques. Entrez le fumoir dans un endroit sec et protégé.
- **NE** laissez PAS le fumoir sans surveillance pendant qu'il est en marche. Supervisez attentivement l'utilisation du fumoir. Une surveillance étroite est de rigueur lorsque l'appareil est utilisé par des enfants ou à proximité de ces derniers.
- **NE** permettez AUCUNE activité à proximité du fumoir pendant ou après son utilisation jusqu'à ce qu'il se soit complètement refroidi. Le fumoir est chaud lorsqu'il est en marche et demeure chaud pendant un certain temps suivant son utilisation.
- **NE** laissez PAS les cendres chaudes sans surveillance jusqu'à ce que le fumoir se soit complètement refroidi.
- **NE** touchez PAS aux surfaces quand elles sont chaudes. Utilisez plutôt les poignées. Si vous devez manipuler le fumoir pendant qu'il est chaud, portez TOUJOURS des gants de cuisine isolants.
- La cuve à eau, le contenant à copeaux de bois et le bac ramasse-graisse ne doivent pas être déplacés pendant que le fumoir est en marche ni tant que le fumoir ne s'est pas suffisamment refroidi. Si vous devez déplacer ces composants, portez TOUJOURS des gants de cuisine isolants.

MESURES DE SÉCURITÉ IMPORTANTES

- Jetez les cendres froides en les emballant dans du papier d'aluminium résistant et en les plaçant dans un contenant incombustible. Assurez-vous qu'aucune matière combustible ne se trouve dans le contenant ou près de celui-ci.
- **NE** recouvrez PAS les grilles du fumoir de quelque type de papier métallique que ce soit, car vous risquez d'endommager gravement le fumoir.
- **NE** bloquez PAS le flux d'air de combustion ou de ventilation du fumoir.
- Faites preuve de PRUDENCE si vous ouvrez la porte pendant que le fumoir est en marche. Portez TOUJOURS des chaussures fermées lorsque vous utilisez le fumoir.
- N'utilisez JAMAIS de vaisselle en verre, en plastique ou en céramique dans le fumoir ou sur celui-ci.
- N'utilisez JAMAIS le fumoir sans eau dans la cuve à eau. **NE** permettez JAMAIS à l'eau de s'évaporer complètement. Ne le nettoyez PAS à l'aide d'un jet d'eau ou d'un dispositif semblable.
- Si des grésillements se font entendre ou si des tourbillons de fumée s'échappent du fumoir, c'est peut-être que la cuve à eau est vide (la graisse de la viande tombe alors dans une cuve à eau sèche et chaude). Faites preuve de prudence lorsque vous ajoutez de l'eau pour éviter que de l'eau brûlante vous éclabousse et vous blesse gravement.
- Lorsque vous utilisez du bois aromatisant, mettez-en une quantité suffisante dans le contenant avant l'utilisation pour éviter d'avoir à rajouter du bois en cours de route.
- L'utilisation d'autres accessoires n'est pas recommandée par le fabricant, car elle pourrait causer des blessures.
- Lorsque vous n'utilisez pas le fumoir, retirez le cordon d'alimentation électrique et rangez-le dans un endroit sûr, au sec.
- Utilisez un cordon d'alimentation court (ou une rallonge électrique détachable) pour éviter de vous empêtrer les pieds dans un long cordon ou de trébucher. Des cordons d'alimentation ou des rallonges électriques détachables plus longs peuvent être utilisés, mais en faisant preuve de prudence. Si vous utilisez un long cordon d'alimentation ou une longue rallonge détachable : (1) les caractéristiques électriques de la rallonge ou du cordon d'alimentation utilisés doivent être au moins égales à celles de l'appareil, et (2) le cordon d'alimentation doit être disposé de façon à ne pas pendre d'un comptoir ou d'une table pour éviter qu'un enfant le tire ou trébuche. Les connexions de la rallonge électrique doivent être à l'abri de l'eau et ne pas toucher pas le sol.
- Les rallonges conçues pour l'extérieur doivent être utilisées pour les produits également conçus pour l'extérieur; elles sont marquées d'un W et dotées d'une étiquette sur laquelle il est écrit « Convient aux appareils pour l'extérieur ».
- N'utilisez PAS le fumoir si l'élément chauffant ne chauffe pas. Si cela se produit, mettez le fumoir en position OFF (« ARRÊT ») et débranchez le cordon d'alimentation électrique. Consultez le guide de dépannage du présent manuel.
- N'utilisez PAS le fumoir si le voyant d'alimentation ou l'afficheur à DEL ne fonctionne pas. Consultez le guide de dépannage du présent manuel.
- N'utilisez AUCUN autre combustible, par exemple, charbon de bois ou pastilles de bois, avec ce fumoir.
- **NE** placez PAS de charbon de bois ou de pastilles de bois dans le contenant à copeaux de bois.
- N'alimentez pas cet appareil avec du carburant, comme des briquettes de charbon.
- **NE** placez PAS l'appareil à proximité d'un brûleur à gaz ou électrique chaud, ni à l'intérieur d'un four chaud.
- Toutes les installations doivent être conformes aux exigences municipales, provinciales et fédérales en matière de prévention des incendies.
- ASSUREZ-VOUS qu'un extincteur d'incendie se trouve à portée de la main en tout temps.
- La combustion du bois génère du monoxyde de carbone, qui peut causer la mort.
- **NE** faites PAS brûler des copeaux de bois à l'intérieur d'une maison, d'un véhicule, d'une tente, d'un garage ou de tout autre espace clos.

CONSERVEZ CES INSTRUCTIONS

CONTENU DE L'EMBALLAGE



CONTENU DE L'EMBALLAGE

PIÈCE	DESCRIPTION	QUANTITÉ
A	Support latéral pour grilles de fumaison (préassemblé)	2
B	Grille de fumaison	5
C	Panneau avant de tiroir supérieur (préassemblé)	1
D	Glissière de tiroir supérieur (préassemblée)	2
E	Traverse de charnière de porte inférieure (préassemblée)	1
F	Cuve à eau	1
G	Poignée de couvercle de contenant à copeaux de bois	1
H	Couvercle de contenant à copeaux de bois	1
I	Contenant à copeaux de bois	1
J	Bâti de tiroir supérieur (préassemblé)	1
K	Capuchon d'ampoule (préassemblé)	1
L	Joint pour capuchon d'ampoule (préassemblé)	1
M	Ampoule (préassemblée)	1
N	Poignée arrière	1
O	Registre avec protecteur	1
P	Armoire	1
Q	Bac ramasse-graisse	1
R	Bâti de tiroir inférieur (préassemblé)	1
S	Panneau avant de tiroir inférieur (préassemblé)	1
T	Panneau de commande (préassemblé)	1
U	Charnière de porte supérieure (préassemblée)	1
V	Porte avec lucarne (préassemblée)	1
W	Poignée pour porte et tiroirs	3
X	Pied réglable	2
Y	Charnière de porte inférieure (préassemblée)	1
Z	Pied fixe	2
AA	Élément chauffant (préassemblé)	1
AB	Ensemble de roulettes	2
AC	Roulette de tiroir inférieur (préassemblée)	4
AD	Boulon pour tiroir inférieur (préassemblé)	4
AE	Écrou pour tiroir inférieur (préassemblé)	4
	Carte de boursouffure de matériel	1

QUINCAILLERIE INCLUSE (grandeur réelle)

EE



Boulon court
M5 de 16 mm

Qty: 13

BB



Boulon long
M5 de 54 mm

Qty: 6

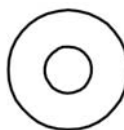
CC



Rondelle
à ressort

Qt: 13

DD



Rondelle
plate

Qty: 6

PRÉPARATION

Avant de commencer l'assemblage du produit, assurez-vous que vous avez toutes les pièces. Comparez les pièces dans l'emballage avec la liste du contenu de l'emballage de la page 5 et la liste de la quincaillerie incluse de la page 6. Si des pièces sont manquantes ou endommagées, ne tentez pas d'assembler le produit. Communiquez avec le service à la clientèle pour obtenir des pièces de rechange.

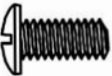
TEMPS D'ASSEMBLAGE APPROXIMATIF de 15 à 20 minutes

Outils nécessaires pour l'assemblage (non inclus) : tournevis cruciforme
Outils utiles (non inclus) : niveau

INSTRUCTIONS POUR L'ASSEMBLAGE

1. Déposez délicatement la carrosserie (P) sur le dos.
Placez d'abord les pieds fixes (Z) sur les trous avant du dessous de la carrosserie (P) à l'aide des rondelles à ressort (CC) et des boulons courts (EE), puis serrez le tout. Ensuite, insérez les pieds réglables (X) dans les trous situés à l'arrière du dessous de la carrosserie (P), puis serrez-les. Avec précaution, remettez la carrosserie (P) debout. Pour mettre la carrosserie (P) de niveau, placez un niveau (non inclus) contre le côté de l'appareil et ajustez-en les pieds réglables (X) jusqu'à ce que la carrosserie (P) soit de niveau.

Quincaillerie utilisée


EE Boulon court M5 de 16 mm  x 2

CC Rondelle à ressort  x 2

2. Maintenant que la carrosserie (P) est debout, fixez soigneusement les ensembles de roues (AB) de chaque côté du dessous de la carrosserie (P) à l'aide des rondelles à ressort (CC) et des boulons courts (EE), que vous insérez dans les trois emplacements prévus à cet effet, puis serrez sans exagérer. Une fois les trois boulons courts (EE) correctement insérés, serrez-les solidement.

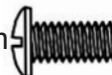
Quincaillerie utilisée


EE Boulon court M5 de 16 mm  x 3

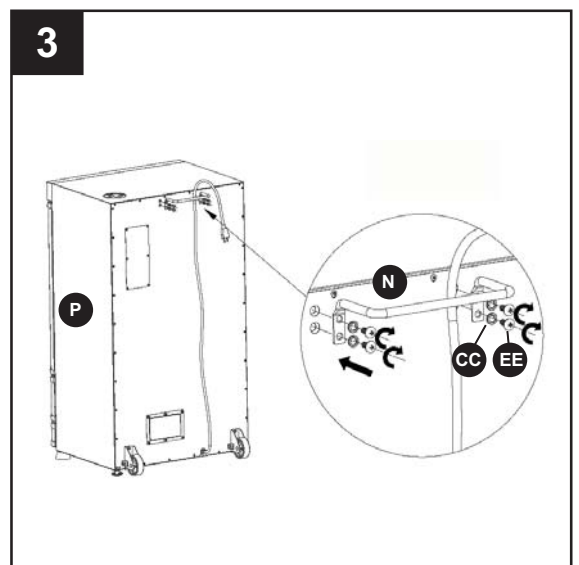
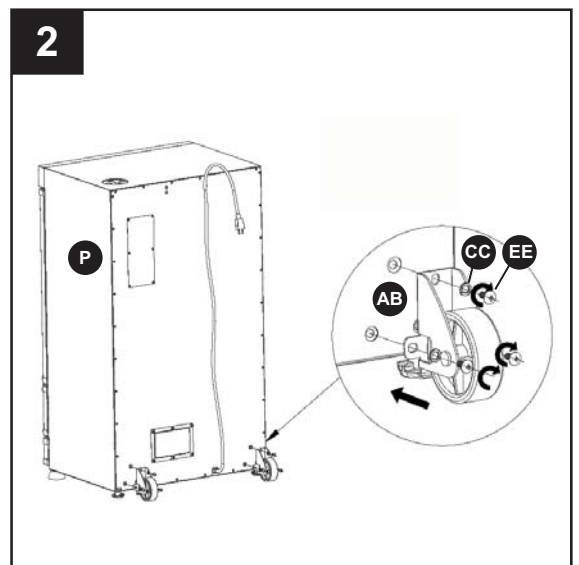
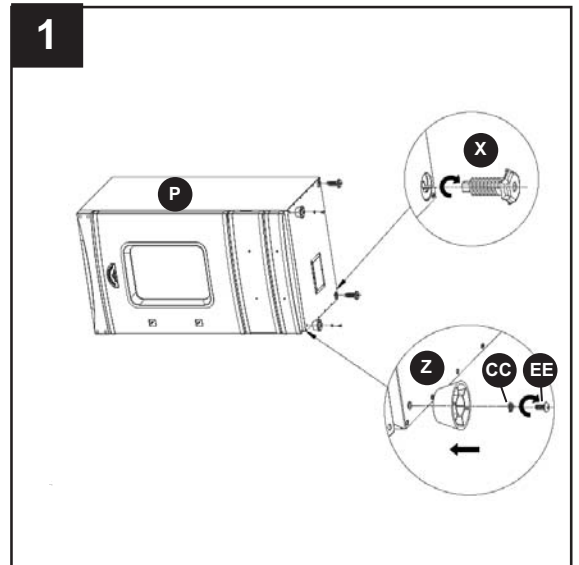
CC Rondelle à ressort  x 3

3. Gardez la carrosserie (P) debout, placez délicatement les rondelles à ressort (CC) et les boulons courts (EE) dans chaque trou pour les boulons de la poignée arrière (N), puis serrez sans exagérer. Une fois les quatre boulons courts (EE) correctement insérés, serrez-les solidement.

Quincaillerie utilisée

EE Boulon court M5 de 16 mm  x 4

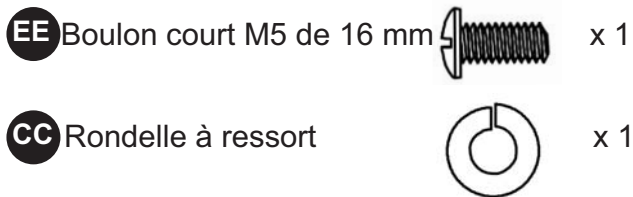
CC Rondelle à ressort  x 4



INSTRUCTIONS POUR L'ASSEMBLAGE

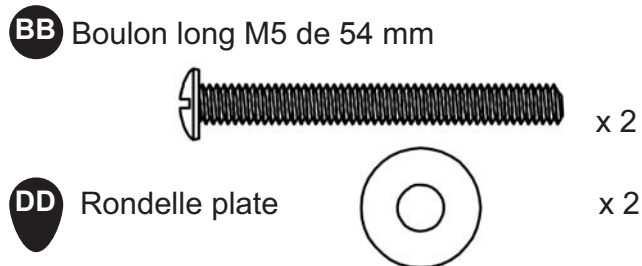
4. Insérez une rondelle à ressort (CC) et un boulon court (EE) dans le trou central du registre muni d'un protecteur (O), puis fixez-le au dessus de la carrosserie (P) et serrez. Veillez à ne pas serrer de manière excessive le registre muni d'un protecteur (O), car vous devez pouvoir le tourner pour le régler.

Quincaillerie utilisée



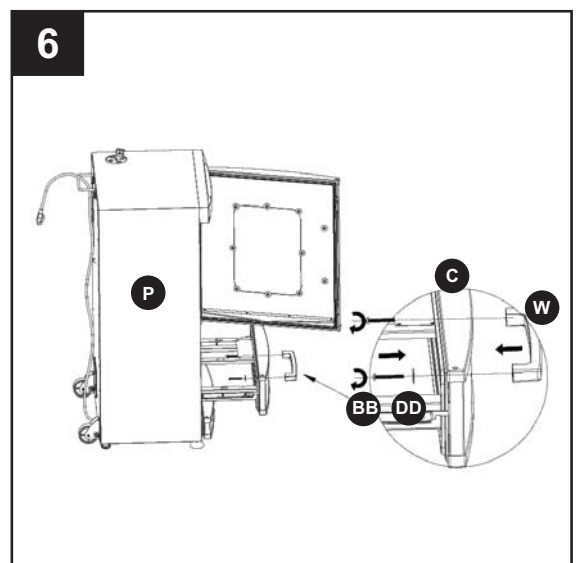
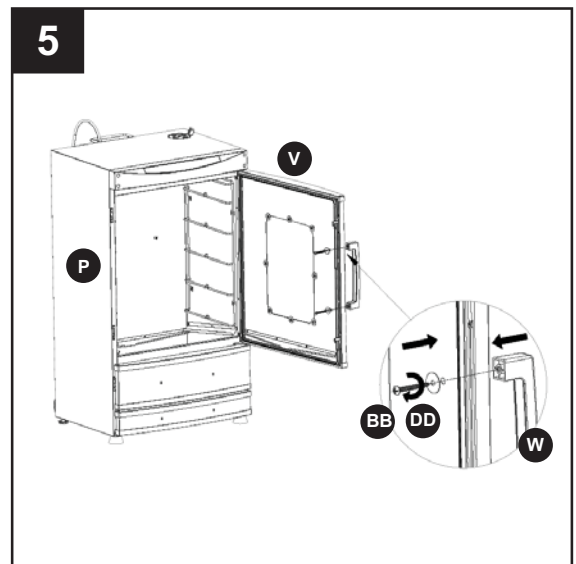
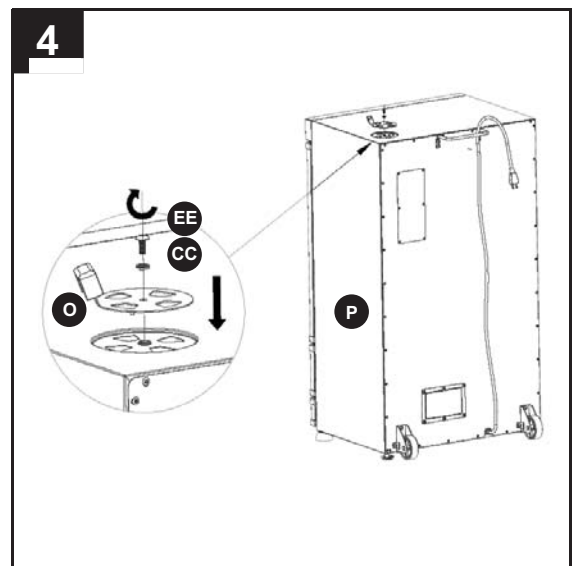
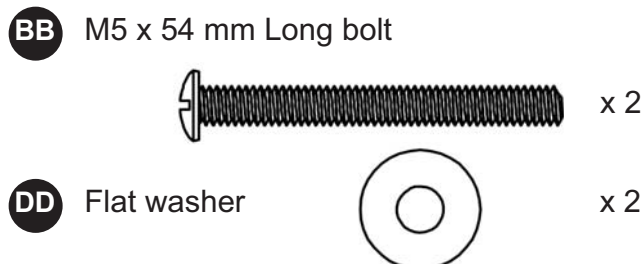
5. Alignez les rondelles plates (DD) et les boulons longs (BB) dans les trous de la porte (V) et serrez partiellement les boulons dans la poignée (W). Une fois les deux boulons longs (BB) insérés dans la poignée, serrez-les solidement.

Quincaillerie utilisée



6. Alignez les rondelles plates (DD) et les boulons longs (BB) dans les trous du panneau avant du tiroir supérieur (C) et serrez partiellement les boulons dans la poignée (W). Une fois les deux boulons longs (BB) insérés dans la poignée, serrez-les solidement. Alignez les rondelles plates (DD) et les boulons longs (BB) dans les trous du panneau avant du tiroir inférieur (S) (non illustré) et serrez partiellement les boulons dans la poignée (W). Une fois les deux boulons longs (BB) insérés dans la poignée, serrez-les solidement.

Quincaillerie utilisée

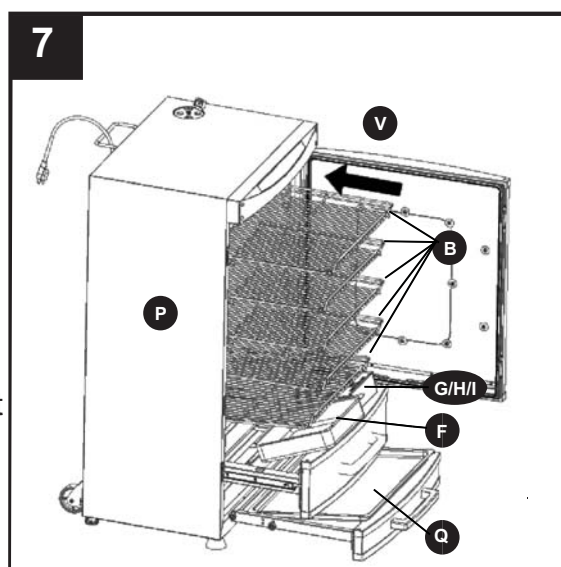


INSTRUCTIONS POUR L'ASSEMBLAGE

7. Ouvrez complètement le tiroir supérieur et placez la cuve à eau (F) dans son cadre (du côté gauche du tiroir) avec précaution. Procédez de la même manière pour placer le contenant à copeaux de bois avec couvercle (G/H/I) dans son cadre (du côté droit du tiroir).

Ouvrez complètement le tiroir inférieur et placez le bac ramasse-graisse (Q) dans son cadre avec précaution.

Insérez chaque grille de fumaison (B) dans l'emplacement correspondant. Il est préférable de laisser les grilles à l'intérieur du fumoir lorsque celui-ci n'est PAS utilisé. Lorsque vous utilisez le fumoir, utilisez seulement le nombre de grilles nécessaire pour y déposer la viande.



INSTRUCTIONS POUR LA PREMIÈRE UTILISATION

Avant de cuire des aliments dans votre fumoir, vous devez préparer celui-ci.

La marche à suivre ci-dessous permet de nettoyer et de préparer votre fumoir pour la fumaison initiale. Réglez la température du fumoir à 225 °F et la durée à 2 ou 3 heures. (Consultez la section sur le réglage de la température et de la durée de fumaison dans le mode d'emploi du panneau de commande, à la page 12.)

Pour cette opération,

- (1) la cuve à eau doit être en place dans son tiroir, SANS EAU à l'intérieur;
- (2) le contenant à copeaux de bois et son couvercle NE doivent PAS être en place dans leur tiroir;
- (3) NE placez AUCUN aliment dans le fumoir pendant cette opération.

À la deuxième heure, ajoutez du bois au contenant à copeaux de bois; ouvrez le tiroir supérieur et insérez AVEC PRÉCAUTION le contenant à copeaux de bois avec son couvercle dans l'emplacement qui lui est réservé. Laissez le bois brûler pendant l'heure restante (60 minutes).

Une fois cette opération terminée, laissez le fumoir se refroidir, puis retirez les cendres et les résidus du contenant à copeaux refroidi. Assurez-vous également que la cuve à eau adjacente s'est refroidie lorsque vous effectuez ce nettoyage.

MODE D'EMPLOI



Panneau de commande: Lorsque vous appuyez sur le bouton ON/OFF (« MARCHE/ARRÊT »), l'afficheur à DEL indique le réglage de la température. Le fumoir est prêt pour le réglage de la température et de la durée de fumaison. Remarque: Le fumoir ne fonctionnera pas tant que vous n'aurez pas réglé la température et le temps de fumage.

Réglage de la température de fumaison:

1. Appuyez sur le bouton TEMP pour amorcer le réglage de la température.
2. Utilisez les boutons INCREASE (« AUGMENTER ») et DECREASE (« RÉDUIRE ») pour régler le fumoir à la température de fumaison souhaitée. (Veuillez noter que la capacité de température maximale du fumoir est de 275 °F.

Réglage de la durée de fumaison:

1. Appuyez sur le bouton TIME (« DURÉE ») pour démarrer le minuteur de fumaison.
2. L'afficheur à DEL indique une durée en heures et en minutes.
3. Utilisez les boutons INCREASE (« AUGMENTER ») et DECREASE (« RÉDUIRE ») pour régler le minuteur du fumoir à la durée de fumaison souhaitée. (Veuillez noter que la durée maximale permise par le fumoir est de 24 heures.)
4. Une fois la durée de fumaison souhaitée atteinte, appuyez une fois sur le bouton TIME pour régler le minuteur. Veuillez noter que le fumoir s'éteint automatiquement lorsque le minuteur arrive à 00:00. Si la fumaison n'est pas terminée, réglez de nouveau le minuteur pour la période de fumaison restante.

Vérification de la sonde thermique :

1. Idéalement, la sonde thermique (V) doit être insérée dans la viande avant la mise en marche du fumoir.
2. Une fois la sonde thermique (V) insérée dans la viande, l'afficheur à DEL indique la température interne de la viande lorsque vous enfoncez le bouton MEAT (« VIANDE ») Appuyez de nouveau sur le bouton MEAT (viande) pour réinitialiser l'écran à DEL.

Utilisation du luminaire intérieur :

1. Pour illuminer le compartiment de cuisson, appuyez sur le bouton LIGHT (lumière) une fois.
2. Pour éteindre la lumière, appuyez de nouveau sur le bouton LIGHT (lumière).

Une fois le fumoir en marche, la température et le temps de fumage s'afficheront à tour de rôle toutes les 5 secondes sur l'écran à DEL.

Si un message d'erreur s'affiche sur le panneau de commande, mettez le fumoir hors tension et débranchez-le. Attendez ensuite 10 secondes, rebranchez-le sur la prise, puis mettez-le sous tension.

MODE D'EMPLOI

Ajouter de l'eau et du bois au fumoir:

1. Ouvrez le tiroir supérieur pour accéder à la cuve à eau et au contenant à copeaux de bois.
2. Ajoutez de l'eau à la cuve à eau de manière à la remplir jusqu'à 25 mm (1 po) du bord.
3. Pour ajouter du bois, soulevez le couvercle du contenant à copeaux de bois complètement et mettez du bois dans le contenant. Remarque : Vous êtes entièrement libre de décider de la quantité et du type de bois à utiliser selon vos goûts. Nous vous recommandons de commencer d'abord par de petites quantités de bois.
4. Réglez ensuite la température et le minuteur pour commencer la fumaison. Remarque: NE réglez PAS la température et le minuteur avant que l'eau et le bois soient chargés et que les deux tiroirs aient été complètement refermés.

Vérification du niveau d'eau et de bois pendant l'opération:

- Pour vérifier le niveau d'eau pendant que le fumoir est en cours d'utilisation, donc CHAUD, ouvrez LENTEMENT le tiroir supérieur afin d'éviter toute éclaboussure de l'eau qui reste dans la cuve à eau. Remettez de l'eau si nécessaire – PRENEZ GARDE qu'aucune partie de l'intérieur du tiroir ou de la porte, du contenant à copeaux de bois ou de la cuve à eau n'entre en contact avec la peau. Ensuite, refermez complètement le tiroir supérieur LENTEMENT et AVEC PRÉCAUTION.
- Pour vérifier le niveau de bois pendant que le fumoir est en cours d'utilisation, donc CHAUD, ouvrez LENTEMENT le tiroir supérieur afin d'éviter toute éclaboussure de l'eau qui reste dans la cuve à eau. Utilisez un gant de cuisine isolant pour soulever le couvercle du contenant à copeaux de bois AVEC PRÉCAUTION. Une fois le couvercle soulevé, utilisez un ustensile à long manche pour remuer les cendres et ajouter du bois avec précaution. **PRENEZ GARDE** qu'aucune partie de l'intérieur du tiroir ou de la porte, du contenant à copeaux de bois ou de la cuve à eau n'entre en contact avec la peau. Ensuite, refermez complètement le tiroir supérieur LENTEMENT et AVEC PRÉCAUTION.

Réglages du registre :

- Le registre avec protecteur (F) permet d'évacuer la chaleur et la fumée.
- Le registre avec protecteur (F) NE DOIT JAMAIS ÊTRE COMPLÈTEMENT FERMÉ pendant le fumage. Fermer complètement le registre avec protecteur (F) peut entraîner une dangereuse accumulation de pression dans le fumoir.
- Pour maintenir une basse température, laissez le registre avec protecteur (F) partiellement ouvert. Notez que, de cette manière, vous permettez à la fois l'évacuation de la chaleur et celle de la fumée.
- Pour maintenir une température élevée, ouvrez le registre avec protecteur (F) de façon à ce que l'ouverture se situe entre la plus petite possible et la position partiellement ouverte. Vous vous assurerez ainsi de conserver tant la chaleur que la fumée durant le processus.

INSTRUCTIONS DE CUISSON

IMPORTANT: Nettoyez et inspectez le fumoir au complet avant de l'utiliser

Remplissez le contenant à copeaux de bois de copeaux aromatisants et placez-le avec son couvercle à l'endroit approprié dans le tiroir réservé à cet effet, de la manière indiquée dans la section sur l'assemblage du présent manuel d'utilisation. Vous êtes entièrement libre de décider de la quantité et du type de bois à utiliser selon vos goûts. Pour la vérification du niveau de bois et l'ajout de bois au contenant à copeaux, reportez-vous à la page 12 du présent manuel.

Placez la cuve à eau à l'intérieur du tiroir réservé à cet effet, de la manière indiquée dans la section sur l'assemblage du présent manuel d'utilisation. Remplissez d'eau (ou d'un autre liquide similaire tel que de la bière ou du jus de pomme) la cuve à eau avec précaution jusqu'à 25 mm (1 po) du bord.

ÉVITEZ de trop remplir la cuve ou de la faire déborder. Une cuve remplie durera environ 3 heures ou plus. Pour la vérification du niveau d'eau et l'ajout d'eau à la cuve, reportez-vous à la page 13 du présent manuel.

Insérez ou ajustez les grilles de fumaison selon la position souhaitée. Pour accéder plus facilement aux aliments à l'aide de pinces ou de spatules, (1) n'utilisez que les grilles dont vous avez besoin et (2) assurez-vous que les grilles sont insérées correctement, de la manière illustrée dans la section sur l'assemblage. Le fait d'huiler les grilles de fumaison à l'aide d'une huile ou d'un aérosol de cuisson avant de placer la viande dessus facilitera le nettoyage par la suite.

Placez les aliments sur les grilles de fumaisons en formant une seule couche et en laissant de l'espace entre les morceaux. La fumée et la chaleur humide pourront ainsi circuler de façon uniforme entre les morceaux.

Selon le type de viande et la taille des morceaux, une fumaison d'une durée de 2 ou 3 heures à une température de cuisson idéale constante de 225 °F à 250 °F permettra d'obtenir les meilleurs résultats. Pour une viande plus tendre à saveur de fumée plus prononcée, une fumaison à température de 220 °F à 240 °F et d'une durée de 4 à 6 heures ou plus sera préférable. Si le temps est un facteur critique, une température plus élevée est recommandée. Une mesure de temps courante consiste à allouer de 45 à 60 minutes de fumaison par livre de viande. À noter que la durée requise varie selon que la viande est désossée ou non.

Conseils relatifs au bois aromatisant:

- L'utilisation de petits copeaux de bois est préférable dans le contenant à copeaux de bois.
- Utilisez des morceaux de bois dur secs, par exemple des copeaux de noyer, de pacanier, de pommier, de cerisier ou de mesquite
- Le bois de la plupart des arbres à fruits ou à noix dégage une fumée qui donne une excellente saveur aux aliments.
- **N'utilisez PAS** de bois résineux comme le pin. Ils produisent habituellement une saveur désagréable.
- Laissez-vous guider par votre goût; faites des essais avec différents types de bois et différentes quantités de morceaux, de copeaux et de bâtonnets de bois. Vous pouvez également mêler différents types de bois.
- Pour prolonger la production de fumée et empêcher que le bois ne brûle trop vite, faites tremper le bois dans l'eau pendant au moins 30 minutes au préalable. (Reportez-vous aux instructions du fabricant de copeaux.)

A ENTRETIEN APRÈS UTILISATION

⚠ MISE EN GARDE! Les opérations d'entretien ne doivent être effectuées que lorsque le fumoir est éteint, s'est complètement refroidi et a été débranché de la source d'alimentation électrique.

Pour nettoyer la cuve à eau, le contenant à copeaux de bois et son couvercle, le bac ramasse-graisse et les grilles de cuisson, retirez-les du fumoir. Nettoyez-les avec de l'eau chaude et savonneuse, rincez-les à fond et séchez-les complètement. Pour faciliter le nettoyage, huilez légèrement les grilles de cuisson à l'aide d'une huile ou d'un aérosol de cuisson avant chaque utilisation.

Pour nettoyer l'intérieur et l'extérieur du fumoir, utilisez simplement un linge humide. Le nettoyage à l'aide d'un boyau d'arrosage est déconseillé. Toute trace d'humidité doit être essuyée. Ne laissez pas d'eau sur la surface extérieure ou intérieure du fumoir.

Une fois que les cendres se sont complètement refroidies, retirez le contenant à copeaux de bois et videz-le complètement des cendres et morceaux de bois non brûlé qu'il contient, puis essuyez le contenant pour le débarrasser des résidus.

Assurez-vous que la graisse qui se trouve dans le bac ramasse-graisse s'est complètement refroidie avant de vider le bac pour le nettoyer. Jetez la graisse et nettoyez soigneusement le bac.

Inspectez et nettoyez fréquemment le fumoir pour le débarrasser des insectes et des nids d'insectes qui pourraient s'y trouver.

Inspectez le cordon d'alimentation électrique avant chaque utilisation pour vous assurer qu'il est en bon état. S'il semble endommagé ou fendu, N'utilisez PAS le cordon d'alimentation.

Pour protéger votre fumoir des éléments, recouvrez-le lorsque vous ne l'utilisez pas et entreposez-le dans un endroit sec.

Nous vous recommandons de NE PAS entreposer ce fumoir électrique à l'extérieur ou dans un endroit exposé où les intempéries sont susceptibles d'endommager le fumoir ou d'avoir un effet néfaste sur son fonctionnement.

Vous pouvez vous procurer une housse résistante aux intempéries pour le fumoir.

DÉPANNAGE

PROBLÈME	CAUSE POSSIBLE	MESURE CORRECTIVE
Le voyant d'ALIMENTATION ne s'allume pas	<ol style="list-style-type: none"> 1. Le cordon d'alimentation n'est pas branché sur une prise. 2. Le disjoncteur de la maison a été déclenché. 3. Les fils du panneau de commande sont mal connectés au bâti du fumoir. 4. Une défaillance du panneau de commande s'est produite. 	<ol style="list-style-type: none"> 1. Vérifiez le branchement sur la prise 2. Vérifiez les fusibles ou le disjoncteur. Ne branchez pas d'autres appareils sur le même circuit électrique. 3. Retirez le panneau de commande et vérifiez les connexions. 4. Ne vous servez pas du fumoir et communiquez avec le fabricant.
Durée de chauffage supérieure à la normale	<ol style="list-style-type: none"> 1. La porte n'est pas complètement refermée. 2. Une défaillance du panneau de commande s'est produite. 3. Une rallonge a été utilisée 	<ol style="list-style-type: none"> 1. Fermez bien la porte. 2. Ne vous servez pas du fumoir et communiquez avec le fabricant. 3. Cessez d'utiliser une rallonge.
Pas de fumée	<ol style="list-style-type: none"> 1. Pas de bois dans le contenant à copeaux de bois 2. L'élément chauffant ne fonctionne pas 	<ol style="list-style-type: none"> 1. Ajoutez du bois au contenant à copeaux de bois 2. Ne vous servez pas du fumoir et communiquez avec le fabricant
Le panneau de commande affiche un message d'erreur	<ol style="list-style-type: none"> 1. Une défaillance du panneau de commande s'est produite. 	<ol style="list-style-type: none"> 1. Ne vous servez pas du fumoir et communiquez avec le fabricant
Le voyant d'ALIMENTATION est allumé, mais le fumoir ne chauffe pas.	<ol style="list-style-type: none"> 1. Une défaillance du panneau de commande s'est produite. 	<ol style="list-style-type: none"> 1. Ne vous servez pas du fumoir et communiquez avec le fabricant
Le panneau de commande ne permet pas de régler la température ni la durée.	<ol style="list-style-type: none"> 1. Une défaillance du panneau de commande s'est produite. 	<ol style="list-style-type: none"> 1. Ne vous servez pas du fumoir et communiquez avec le fabricant
La sonde thermique n'indique pas la température sur l'afficheur.	<ol style="list-style-type: none"> 1. La sonde thermique est endommagée. 2. Une défaillance du panneau de commande s'est produite. 	<ol style="list-style-type: none"> 1. N'utilisez pas la sonde. Communiquez avec le fabricant pour obtenir une sonde de rechange. 2. Ne vous servez pas du fumoir et communiquez avec le fabricant
La température chute brutalement ou le fumoir s'éteint prématurément	<ol style="list-style-type: none"> 1. Une défaillance du panneau de commande s'est produite. 	<ol style="list-style-type: none"> 1. Ne vous servez pas du fumoir et communiquez avec le fabricant

DÉPANNAGE

PROBLÈME	CAUSE POSSIBLE	MESURE CORRECTIVE
Un espace est présent entre la porte et le bâti du fumoir	<ol style="list-style-type: none">1. La porte est désalignée2. Le joint de la porte est endommagé.	<ol style="list-style-type: none">1. Vérifiez le branchement sur la prise2. Ne vous servez pas du fumoir et communiquez avec le fabricant.
Une fumée excessive s'échappe par la porte	<ol style="list-style-type: none">1. La porte est désalignée2. Le joint de la porte est endommagé.	<ol style="list-style-type: none">1. Vérifiez les boulons des charnières pour vous assurer qu'ils sont bien serrés.2. Ne vous servez pas du fumoir et communiquez avec le fabricant.
De la graisse fuit du bâti du fumoir	<ol style="list-style-type: none">1. Le bac ramasse-graisse n'est pas correctement positionné.2. Le bac ramasse-graisse est rempli de graisse et déborde	<ol style="list-style-type: none">1. Repositionnez le bac ramasse-graisse2. Videz le bac ramasse-graisse
Le luminaire intérieur ne s'allume pas.	<ol style="list-style-type: none">1. L'ampoule halogène est grillée.	<ol style="list-style-type: none">1. Remplacez l'ampoule halogène.

GARANTIE

Ce fumoir électrique est garanti contre les défauts de matériau et de fabrication lorsqu'il est correctement assemblé, utilisé et entretenu selon les directives fournies dans le présent manuel pendant une période de un (1) an à compter de la date d'achat initiale. Les surfaces peintes sont garanties contre tout défaut, à l'exception de la rouille qui peut apparaître après une utilisation répétée, pendant 90 jours à compter de la date d'achat originale. Cette garantie ne couvre pas les dommages ou les problèmes découlant de la négligence, d'une utilisation inappropriée, d'un accident, de dommages en cours de transport, d'une utilisation commerciale ni de TOUTE modification apportée au produit. La garantie ne couvre pas les coûts de main-d'œuvre. Cette garantie est la seule garantie offerte et remplace toute autre garantie explicite ou.

LISTE DES PIÈCES DE RECHANGE

PIÈCE	DESCRIPTION	NO DE PIÈCE
A	Support latéral pour grilles de fumaison	ES0054
B	Grille de fumaison	ES0053
C	Panneau avant de tiroir supérieur	ES0059
D	Glissière de tiroir supérieur 2	ES0063
E	Traverse de charnière de porte inférieure	ES0066
F	Cuve à eau	ES0071
G	Poignée de couvercle de contenant à copeaux de bois	ES0055
H	Couvercle de contenant à copeaux de bois	ES0056
I	Contenant à copeaux de bois	ES0072
J	Bâti de tiroir supérieur	ES0060
K	Capuchon d'ampoule	ES0068
L	Joint pour capuchon d'ampoule	ES0069
M	Ampoule	ES0067
N	Poignée arrière	ES0015
O	Registre avec protecteur	ES0006
P	Armoire	ES0050
Q	Bac ramasse-graisse	ES0057
R	Bâti de tiroir inférieur	ES0062
S	Panneau avant de tiroir inférieur	ES0061
T	Panneau de commande	ES0052
U	Charnière de porte supérieure	ES0064
V	Porte avec lucarne	ES0051
W	Poignée pour porte et tiroirs	ES0010
X	Pied réglable	ES0011
Y	Charnière de porte inférieure	ES0065
Z	Pied fixe	ES0012
AA	Élément chauffant	ES0058
AB	Ensemble de roulettes	ES0014
AC	Roulette de tiroir inférieur	ES0021
AD	Boulon pour tiroir inférieur	ES0080
AE	Écrou pour tiroir inférieur	ES0081
	Carte de boursouffure de matériel	ES0083

Pour obtenir des pièces de rechange, communiquez avec notre service à la clientèle au 1 800 963-0211, entre 8 h et 18 h (HNE), du lundi au jeudi, ou entre 8 h et 17 h (HNE) le vendredi.

PIÈCE	DESCRIPTION	NO DE PIÈCE
EE	M5 x 16 mm Boulon court	ES0078
BB	M5 x 54 mm Boulons long	ES0077
CC	Rondelle à ressort	ES0032
DD	Rondelle plate	ES0033

**POUR CONSULTER DES ILLUSTRATIONS
DES PIÈCES ET DE LA QUINCAILLERIE
QUE VOUS POUVEZ COMMANDER,
REPORTEZ-VOUS AUX PAGES
5, 6 ET 7 DU PRÉSENT
MANUEL D'INSTRUCTIONS**

Imprimé en CHINE

TABLEAU DES TEMPÉRATURES DE CUISSON DE LA VIANDE

Ce tableau sert à mesurer la température de cuisson appropriée à la viande:
(Selon les normes USDA)

MISE EN GARDE

Les températures indiquées ci-dessous correspondent aux mesures prises à l'aide d'une sonde thermique telle celle qui accompagne le fumoir ou à l'aide d'un thermomètre à viande autonome.

Viandes hachées et préparations de viande:

Dinde	73,8°C (165°F)
Veau, agneau	71,1°C (160°F)
Bœuf, porc	71,1°C (160°F)

Bœuf frais:

Mi-saignant	62,8°C (145°F)
À point	71,1°C (160°F)
Bien cuit	76,7°C (170°F)

Agneau frais:

Mi-saignant	62,8°C (145°F)
À point	71,1°C (160°F)
Bien cuit	76,7°C (170°F)

Porc frais:

À point	71,1°C (160°F)
Bien cuit	76,7°C (170°F)

Jambon:

Frais (cru)	71,1°C (160°F)
Précuit	60°C (140°F)

Précuit:

Poulet (entier)	82,2°C (180°F)
Dinde (entière)	82,2°C (180°F)
Poitrines, rôti	76,7°C (170°F)
Cuisses, ailes	82,2°C (180°F)
Canard et oie	82,2°C (180°F)

Poisson:

Cuire jusqu'à ce que la chair soit opaque et s'émiette facilement

RECETTES:

CÔTES DE PORC GLACÉES:

Ingrédients:

Viande: 3 lb de côtes levées de porc

Copeaux de bois: mesquite ou pommier

CROÛTE D'ÉPICES:

DEMI-GLACE:

1/3 tasse de poivre noir

1/4 cup unsalted butter

2 cuillerées à table de sauce Worcestershire

2 cuillerées à table de sucre blanc

1/4 cup vegetable oil

1/2 cuillerée à thé de sel

1 cuillerée à table de sel

2/3 tasse de ketchup

1 tasse d'oignons émincés

1 cuillerée à table de poudre d'ail 1/2 cup vinegar

1 cuillerée à table de sel Lawry's 1/2 cup maple syrup

Faire fondre le beurre, ajouter les ingrédients et cuire à feu doux pendant 30 minutes jusqu'à ce que la sauce épaississe. Remuez souvent.

À l'aide de la moitié du mélange à croûte d'épices, frottez les côtes levées la veille et mettez-les au réfrigérateur dans un sac de plastique. Avant de fumer les côtes levées, retirez-les du sac, frottez-les du reste du mélange à croûte d'épices et laissez-les reposer pour qu'elles atteignent la température ambiante (environ 30 minutes).

Retirez les grilles de cuisson et préchauffez le fumoir à 225 °F. Insérez les grilles de cuisson nécessaires après les avoir graissées avec de l'huile ou un aérosol à cuisson, puis déposez délicatement les côtes levées sur les grilles.

Fumez les côtes levées pendant environ 3 heures. Appliquez la sauce demi-glace au pinceau, poursuivez la fumaison pendant 30 minutes, puis appliquez une deuxième couche de sauce.

Vérifiez la température interne des côtes levées après 30 minutes (160 °F+). Si les côtes levées sont prêtes, retirez-les du fumoir et laissez-les reposer pendant 15 minutes avant de servir.

DINDE DE L'ACTION DE GRÂCE:

Ingrédients:

Meat: dinde de 12 à 15 lb (taille maximale)

Copeaux de bois: selon vos préférences

CROÛTE D'ÉPICES:

PRÉPARATION POUR L'ARROSAGE:

2 cuillerées à table de poivre noir

1 tasse de beurre non salé fondu

2 cuillerées à table de sel

Tout assaisonnement, au goût, peut être ajouté à la préparation pour l'arrosage

2 cuillerées à table de poudre d'ail

(si une plus grande quantité de préparation pour l'arrosage est nécessaire, augmenter

2 cuillerées à table de sauge

la quantité de beurre et des assaisonnements)

2 cuillerées à table d'Accent:

Frottez la préparation sur toutes les parties visibles de la dinde. La préparation peut également être appliquée aux cavités. Laissez reposer la dinde jusqu'à ce qu'elle atteigne la température ambiante (environ 30 minutes).

Retirez les grilles de cuisson et préchauffez le fumoir à 225 °F. Placez la grille au centre du fumoir (après l'avoir enduite d'huile de cuisson ou d'aérosol de cuisson), afin de laisser suffisamment d'espace pour la dinde, puis déposez délicatement la dinde sur la grille, poitrine tournée vers le bas.

Allouez environ 45 minutes de fumaison par livre de dinde. Arrosez la dinde toutes les 60 à 90 minutes en la tournant légèrement chaque fois. Lorsque la température interne de la dinde atteint 170 °F-175 °F, la dinde est censée être entièrement cuite. Testez la viande en différents endroits pour vous en assurer. Retirez la dinde du fumoir et laissez-la reposer pendant 15 minutes avant de servir.

RECETTES:

SOC DE PORC FUMÉ

Ingrédients:

Viande: soc de porc (ou rôti similaire) de 6 à 8 lb, désossé ou non

Copeaux de bois: mesquite ou pommier

CROÛTE D'ÉPICES:

1/3 tasse de poivre noir

2 cuillerées à table de sucre blanc

1 cuillerée à table de sel

1 cuillerée à table de poudre d'ail

1 cuillerée à table de sel Lawry's

1 cuillerée à table d'Accent

SOLUTION À INJECTER:

3/4 tasse de beurre non salé (fondu)

1 cuillerée à table de poudre d'ail

À l'aide de la moitié du mélange à croûte d'épices, frottez le soc de porc la veille et mettez-le au réfrigérateur dans un sac de plastique. Avant de fumer le soc de porc, retirez-le du sac, frottez-le du reste du mélange à croûte d'épices et laissez-le reposer pour qu'il atteigne la température ambiante (environ 30 minutes). Injectez délicatement et en profondeur la préparation de beurre dans le soc de porc en différents endroits.

Retirez les grilles de cuisson et préchauffez le fumoir à 235 °F. Placez la grille au centre du fumoir (après l'avoir enduite d'huile de cuisson ou d'aérosol de cuisson), afin de laisser suffisamment d'espace pour le soc de porc, puis déposez délicatement le soc de porc sur la grille.:

Allouez de 45 à 60 minutes de fumaison par livre de soc de porc environ. Lorsque la température interne du soc de porc en sa partie la plus épaisse atteint 165 °F+, il est censé être complètement cuit. Testez la viande en différents endroits pour vous en assurer. Retirez le soc de porc du fumoir et laissez-le reposer pendant 15 minutes avant de servir.

SAUMON FUMÉ

Ingrédients:

Viande: 4 lb de saumon

Copeaux de bois: noyer, pommier, aulne

SAUMURE:

De 1 à 2 gallons d'eau froide

(2 ou 3 tasses de sucre blanc granulé (ou 2 tasses de sucre brun granulé) Sel non iodé (sel cachet ou pour marinades)

Vous pouvez ajouter d'autres assaisonnements à la saumure, par exemple de la poudre d'oignon, de la poudre d'ail, de la sauce piquante, du jus de citron, de la sauce de soja, de la sauce Worcestershire, etc.

Mélangez l'eau et le sel dans un bol de verre ou de plastique, puis ajoutez le sucre et les autres assaisonnements. Submergez complètement le saumon dans la saumure, la peau tournée vers le dessus, pendant 2 ou 3 heures. Plus le filet est épais, plus le temps qu'il doit passer dans la saumure sera long. Lorsque l'étape de la saumure est terminée, retirez les filets, rincez-les à fond avec de l'eau froide, puis asséchez-les à l'aide de serviettes en papier. Le saumon doit avoir une apparence lustrée lorsque le séjour dans la saumure est terminé (en raison de la pellicule superficielle qui s'est formée pendant le processus)

Utilisez le nombre de grilles approprié en fonction du nombre de filets. Placez les grilles dans le fumoir (après les avoir enduites d'huile de cuisson ou d'aérosol de cuisson), puis déposez délicatement les morceaux de saumon dessus. Vous pouvez placer les morceaux de saumon sur des feuilles de papier d'aluminium résistant. Assurez-vous (1) que les feuilles sont suffisamment résistantes pour soulever le saumon, (2) que les feuilles sont graissées d'huile de cuisson et (3) qu'il y a suffisamment d'espace entre les feuilles sur lesquelles sont déposés les morceaux de saumon pour permettre la circulation de l'air dans le fumoir.

Allouez environ 45 minutes de fumaison par livre. Le saumon est prêt quand un film blanc se forme à la surface et que la chair est ferme et présente un glaçage doré à sa surface.