

This Owner's Manual is provided and hosted by [Appliance Factory Parts](#).



Landmann 470421 Owner's Manual

[Shop genuine replacement parts for Landmann 470421](#)



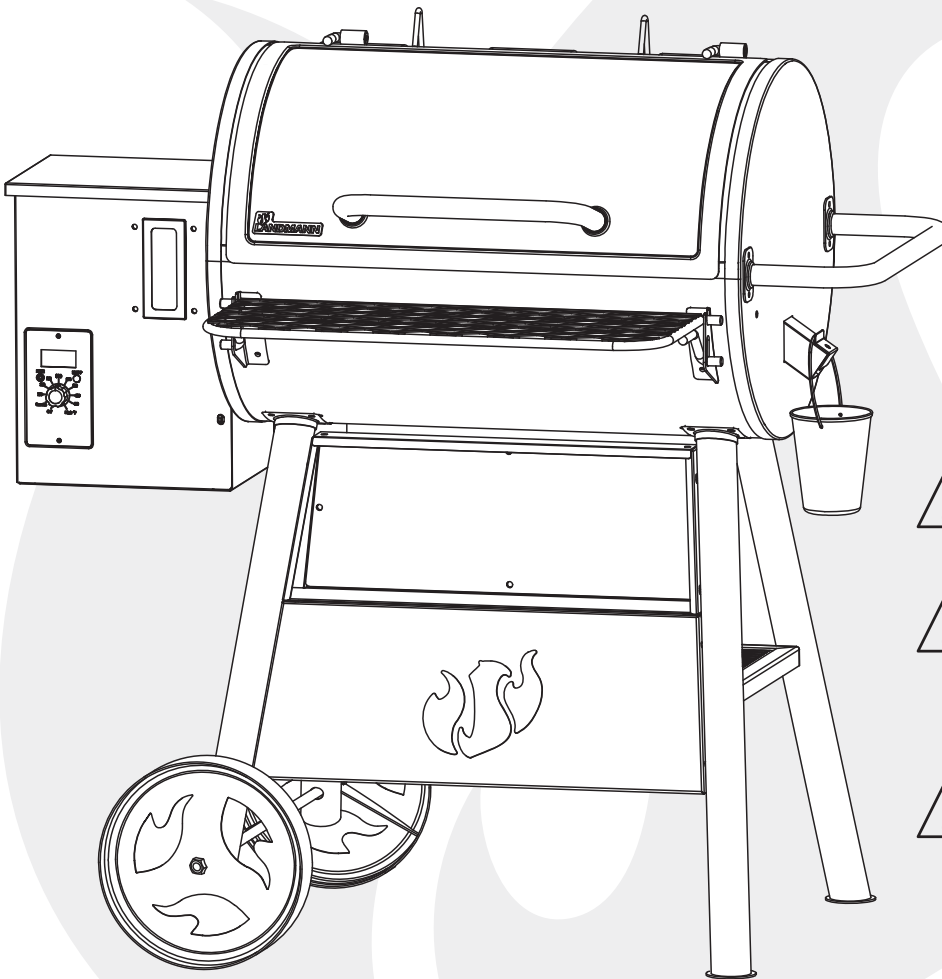
[Find Your Landmann Grill Parts - Select From 200 Models](#)

----- Manual continues below -----



LANDMANN®

Pellet Grill



Pellet Grill

**Assembly and Operating
Instructions for Model:**

**470420
470421
470422
470423**

VER. 2, 8/4/2020



WARNING: THIS PRODUCT CAN EXPOSE YOU TO CHEMICALS, INCLUDING WOOD DUST, WHICH ARE KNOWN TO THE STATE OF CALIFORNIA TO CAUSE CANCER.
For more information go to: www.P65Warnings.ca.gov



WARNING: FUELS USED IN WOOD OR CHARCOAL BURNING APPLIANCES, AND THE PRODUCTS OF COMBUSTION OF SUCH FUELS, CAN EXPOSE YOU TO CHEMICALS INCLUDING CARBON BLACK, WHICH IS KNOWN TO THE STATE OF CALIFORNIA TO CAUSE CANCER, AND CARBON MONOXIDE, WHICH IS KNOWN TO THE STATE OF CALIFORNIA TO CAUSE BIRTH DEFECTS OR OTHER REPRODUCTIVE HARM.
For more information go to: www.P65Warnings.ca.gov



PLEASE READ THIS ENTIRE MANUAL BEFORE ASSEMBLING AND USING THIS PELLETT FUEL BURNING APPLIANCE. FAILURE TO FOLLOW THESE INSTRUCTIONS COULD RESULT IN PROPERTY DAMAGE, BODILY INJURY OR EVEN DEATH. CONTACT LOCAL BUILDING OR FIRE OFFICIALS ABOUT RESTRICTIONS AND INSTALLATION INSPECTION REQUIREMENTS IN YOUR AREA. PLEASE SAVE THIS INSTRUCTION MANUAL FOR FUTURE REFERENCE.



Appliance Type: Pellet Fuel
Burning Cooking Appliance
Test Standards

Certified To:
UL Subject 2728

Certified To:
ULC/ORD STD C2728

A MAJOR CAUSE OF FIRES IS FAILURE TO MAINTAIN REQUIRED CLEARANCES (AIR SPACES) TO COMBUSTIBLE MATERIALS. IT IS OF UTMOST IMPORTANCE THAT THIS PRODUCT BE INSTALLED ONLY IN ACCORDANCE WITH THESE INSTRUCTIONS.

Table of Contents

Important Safety Information	3
Hardware and small part listing.....	5
Exploded view for assembled parts	6
Assembly Instructions	7
Controller Instructions	17
Preparation for Use & Lighting Instructions	18
Grill Cooking Tips	23
Care and Maintenance	24
Troubleshooting	25
Replacement Parts	29
Warranty	32

Read First! Rules For Pellet Grill Safe Operation

- Warning! The grill is for outdoor use only!
- Warning! Never use gasoline, gasoline-type fuel, kerosene, charcoal lighter fluid, or similar liquids to start or “freshen up” a fire in this appliance. Keep all such liquids away from the appliance when in use.
- Do not store flammable liquids or materials on the bottom shelf or side shelf.
- The grill is for adult use only.
- Warning! This grill gets extremely hot during use! Use extreme caution around the grill.
- Use caution when opening the lid as hot steam or a flare up could cause burns.
- Keep the grill a minimum of 36 in. away from buildings, structures, any flammable items and vehicles during use.
- Keep children and pets away while the grill is being used.
- Use caution after the fire has been extinguished- surfaces will remain hot for some time.
- Warning! Never put your fingers in the auger channel for any reason!
- The hopper pellet fuel screen must be in place during use.
- Never use the grill under covered porches, awnings, combustible ceilings, low hanging tree branches, trellis, or overhangs of any kind.
- Never use inside enclosed areas such as patios, garages, enclosed rooms, buildings or tents.
- Do not use in windy conditions.
- Do not use in very wet or rainy conditions.
- Keep the lid closed during use. This pellet grill is intended to be used with a closed lid.
- Never use this grill as a heater.
- This grill is not for commercial use.
- Before starting, make sure the grease bucket is in place.
- Always unplug grill after using. Wind cord around the cord wrap so it is out of the way.
- During use, the plug wiring should be sorted so it does not impose a tripping hazard.
- Always use the grill on a hard, stable and level surface.
- This grill operates automatically through the control panel. Do not manually fill the fire pot or over-fill the fire pot by hand. This will cause a dangerous over-firing condition.
- The side shelf can hold 15 lbs. safely. Do not put more than 15 lbs. on the side shelf.
- Do not lean or push down on the side shelf.
- Do not move the grill while it is being used.
- Do not use accessories not specified for use with this appliance.
- Do not leave unattended at any time while in use.
- Before each use, make sure the grill is in good working condition.
- Do not alter the grill in any way.
- Do not modify or hardwire the auger to run continuously.
- Do not use the grill until it is completely assembled with all parts securely tightened.
- The grill must be completely cooled off and must be extinguished before any cover can be used.
- Maintaining the grill is the responsibility of the owner or user. The firebowl, drip tray and drip tray tube must be cleaned occasionally to remove grease buildup. Failure to clean grease buildup can cause grease fires which are very dangerous.
- Warning! After every 20 hrs of use, the fire pot must be cleaned out to remove any ash buildup. This is required maintenance.
- Never pour water into the firebowl, fire pot or drip tray.
- If a grease fire were to occur, baking soda can be used to extinguish the fire. Use extreme caution not to burn yourself.
- If the fire does not extinguish, remove the food if possible. Keep the lid closed, close the chimney damper and press the power button to off.
- Once the fire is extinguished, clean the grease buildup before cooking is resumed.
- Disposal of ashes - any ashes that are removed from the grill should be placed in a metal container with a tight fitting lid. The closed container of ashes should be placed on a noncombustible floor or ground, well away from all combustible materials, pending final disposal. If the ashes are disposed of by burial in soil or otherwise locally dispersed, they should be retained in the closed container until all cinders have thoroughly cooled.

Read First! Rules For Pellet Grill Safe Operation.

! WARNING!

CARBON MONOXIDE HAZARD!

Burning wood or charcoal produces carbon monoxide, which has no odor and can cause death if burned in enclosed areas. Never burn wood or charcoal inside homes, vehicles, tents or any other enclosed areas.

Note the following to prevent this colorless, odorless gas from poisoning you, your family or others:

- Know the symptoms of carbon monoxide poisoning: headache, dizziness, weakness, nausea, vomiting, sleepiness, and confusion. Carbon monoxide reduces the blood's ability to carry oxygen. Low blood oxygen levels can result in loss of consciousness and death.
- See a doctor if you or others develop cold or flu-like symptoms while cooking or in the vicinity of this appliance. Carbon monoxide poisoning, which can easily be mistaken for a cold or flu, is often detected too late.
- Carbon monoxide is especially toxic to mother and child during pregnancy, infants, the elderly, smokers, and people with blood or circulatory system problems, such as anemia or heart disease.

! FUEL

- Use only food grade hardwood pellets made for pellet grills.
- Do not use heating pellets which may contain hazardous contaminants.
- It is recommended that excess pellets are not stored in the hopper for extended periods as they can absorb moisture causing the auger to seize.
- If the pellets are going to be stored in the bag they were purchased in, close the bag tightly and place in a dry location. A better choice is a moisture proof sealed container. Care must be taken to insure the pellet fuel is kept from all moisture.
- Do not use pellets that have gotten wet. Do not use pellets that have become excessively powdery or dusty. This is a sign the pellets are defective or have been exposed to moisture at some time.
- Use only wood pellet fuel specified by the manufacturer. Do not use pellet fuel labeled as having additives.



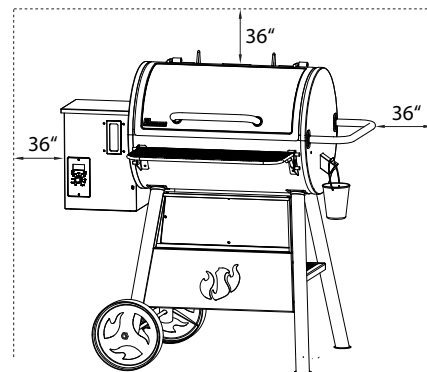
It is good practice to always have a well maintained fire extinguisher available whenever any type of grill is being used.

! WARNING!

OUTDOOR USE ONLY



DO NOT USE THIS APPLIANCE UNDER OVERHEAD COMBUSTIBLE SURFACES.












- Keep the grill a minimum of 36 in. away from buildings, structures, any flammable items and vehicles during use.
- Never use the grill under covered porches, awnings, combustible ceilings, low hanging tree, branches, trellis, or overhangs of any kind.
- It is recommended that the appliance be installed on noncombustible floors. The appliance can be installed on combustible floors with a noncombustible surface where the protective surface has been approved for such use by the authority having jurisdiction.

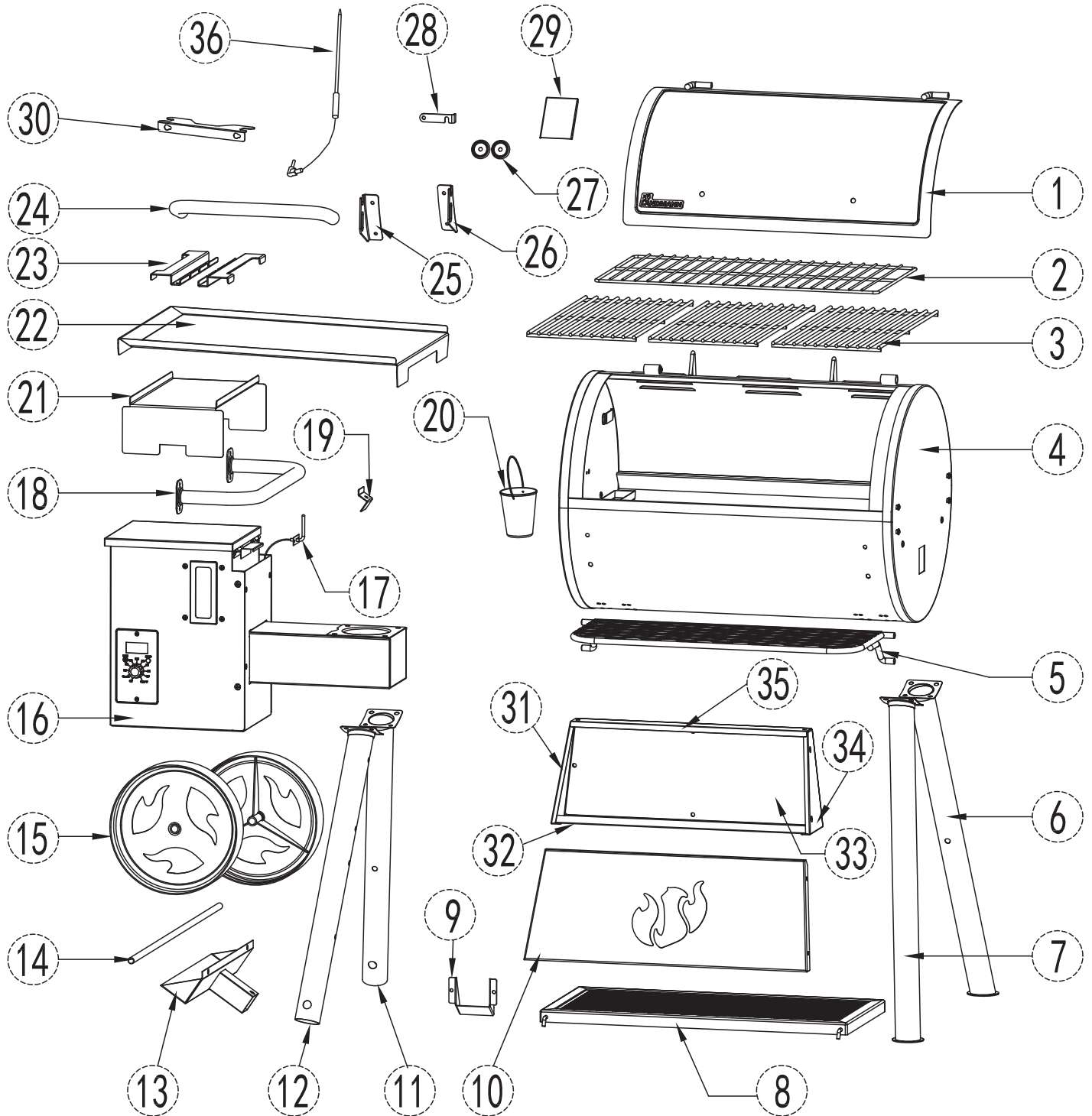
Hardware And Small Part Listing

Item	Qty.	Part name
1	1	Lid
2	1	Warming Rack
3	3	Cooking Grate
4	1	Chamber
5	1	Front Shelf
6	1	Right Rear Leg
7	1	Right Front Leg
8	1	Bottom Shelf
9	1	Hopper Chute
10	1	Cart Front Lower Panel
11	1	Left Rear Leg
12	1	Left Front Leg
13	1	Grease Drain
14	1	Wheel Axle
15	2	Steel Wheel
16	1	Hopper Assembly
17	1	Grill Probe
18	1	Side Handle
19	1	Grease Bucket Hook

Item	Qty.	Part name
20	1	Grease Bucket
21	1	Flame Baffle
22	1	Grease Tray
23	2	Warming Rack Bracket
24	1	Lid Handle
25	1	Left Shelf Bracket
26	1	Right Shelf Bracket
27	2	Finishing Washer
28	1	Locking Latch
29	1	Chute Door
30	1	Cord Wrap
31	1	Condiment Shelf Left Brace
32	1	Condiment Shelf Bottom Brace
33	1	Condiment Shelf Back Panel
34	1	Condiment Shelf Right Brace
35	1	Condiment Shelf Top Brace
36	1	Meat Probe

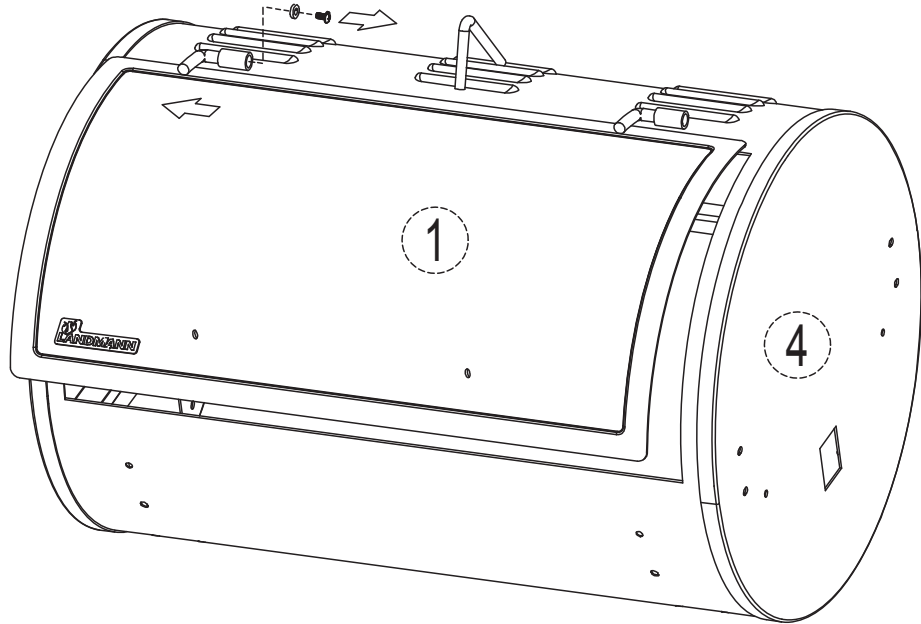
AA	BB	CC	DD	EE	FF	GG	HH	
								
M6x12 37x	M5x12 1x	M6 26x	M4x10 1x	M4 1x	M6x20 4x	M5x12 14x	M5 10x	

EXPLODED VIEW FOR ASSEMBLED PARTS




Assembly Instructions

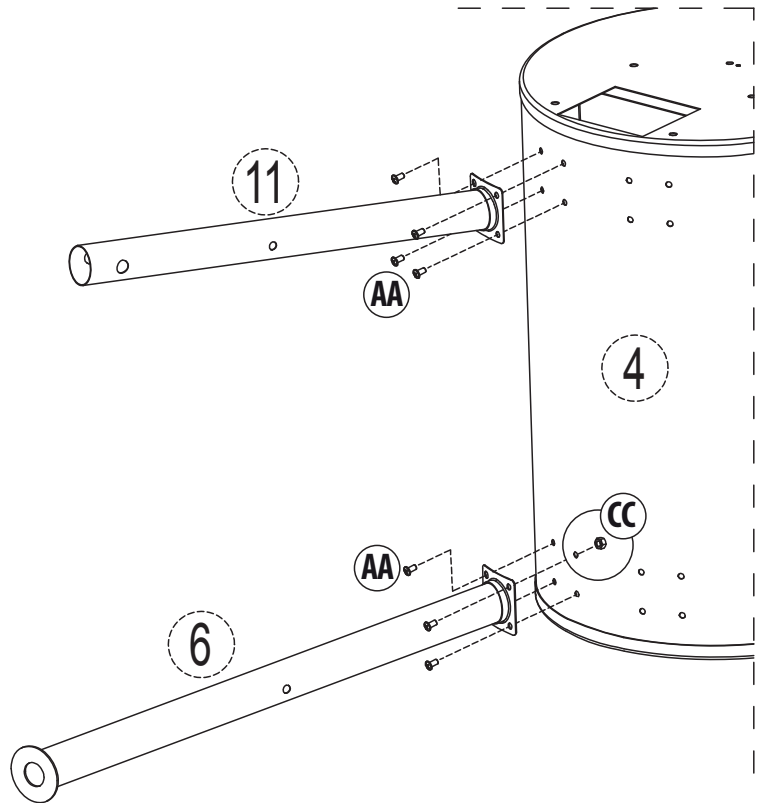
1



2

- AA CC
-  
- 8x 8x

NOTE: Loosely assemble parts.

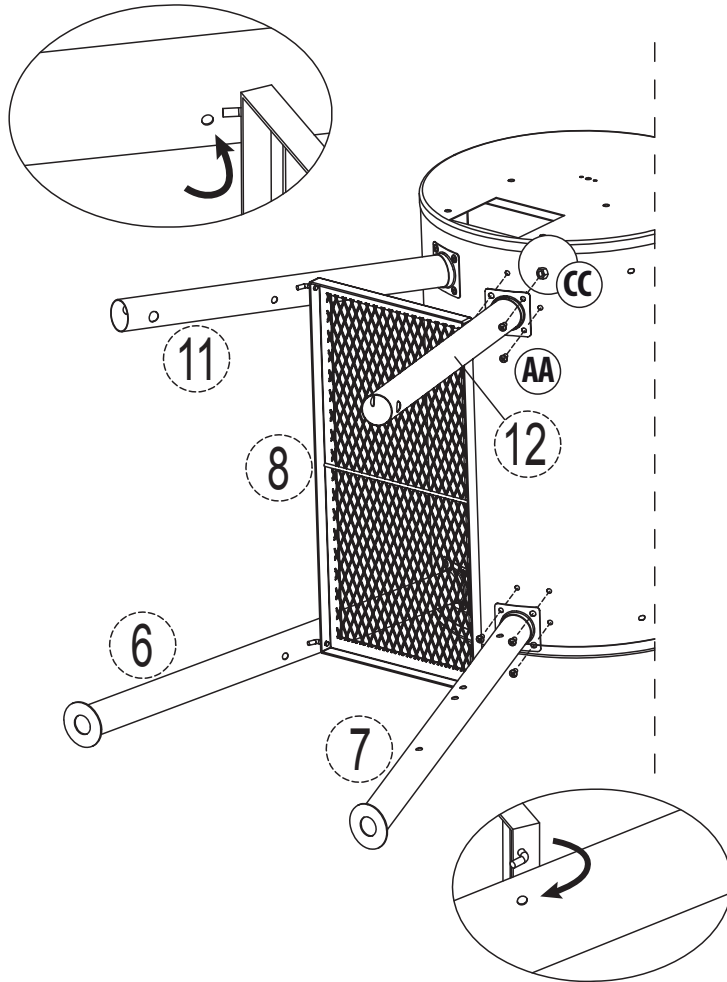


3

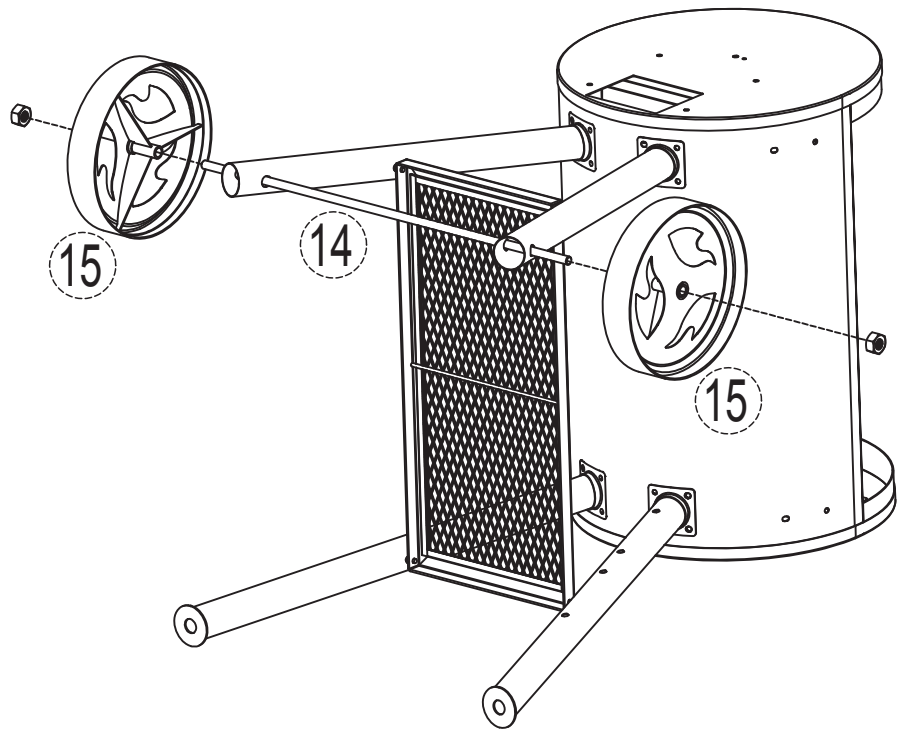


NOTE: Insert bottom shelf [8] pins into the back legs [6, 11] first, then insert each front leg [7, 12] into bottom shelf pins first before assembling to the barrel.

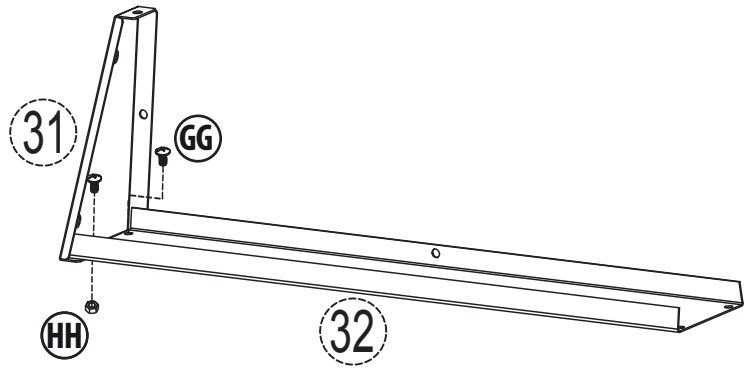
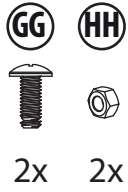
Loosely assemble the parts at this time.



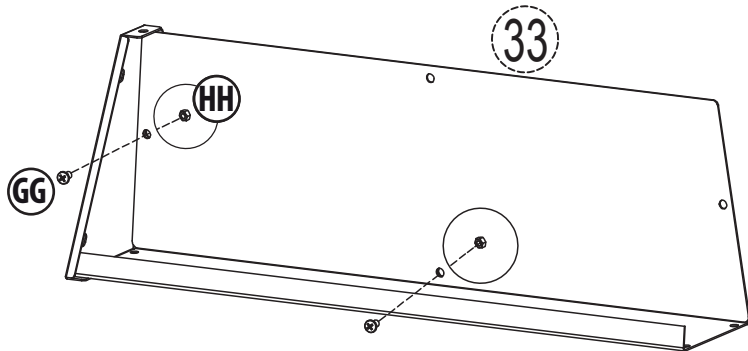
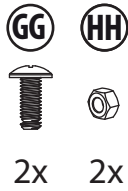
4



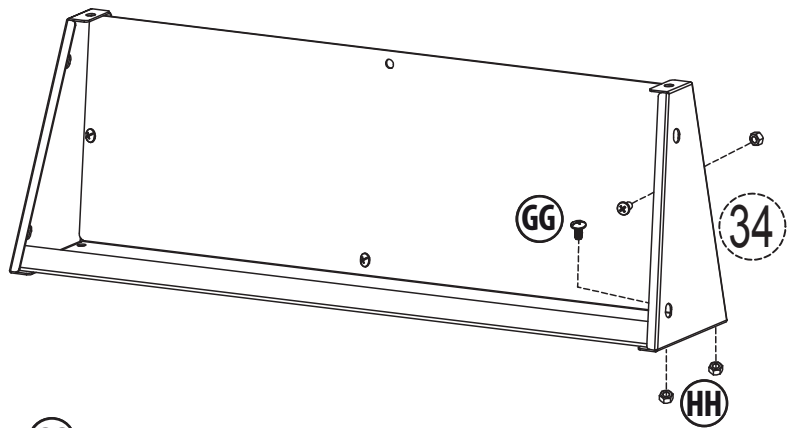
5



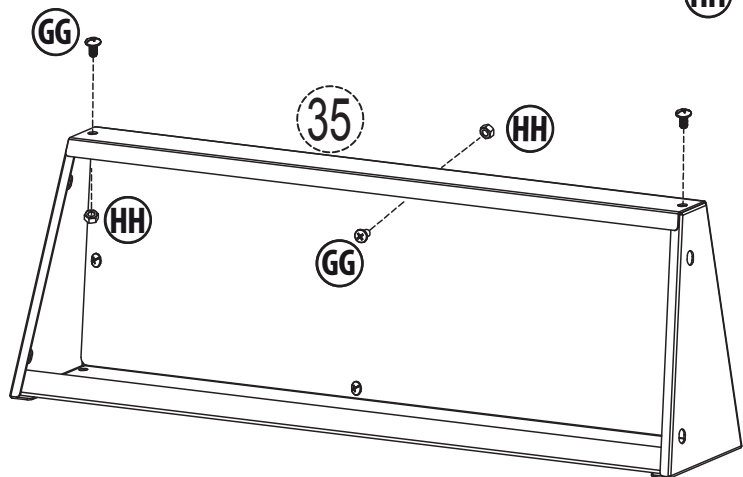
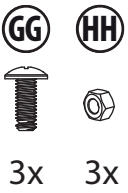
6



7



8

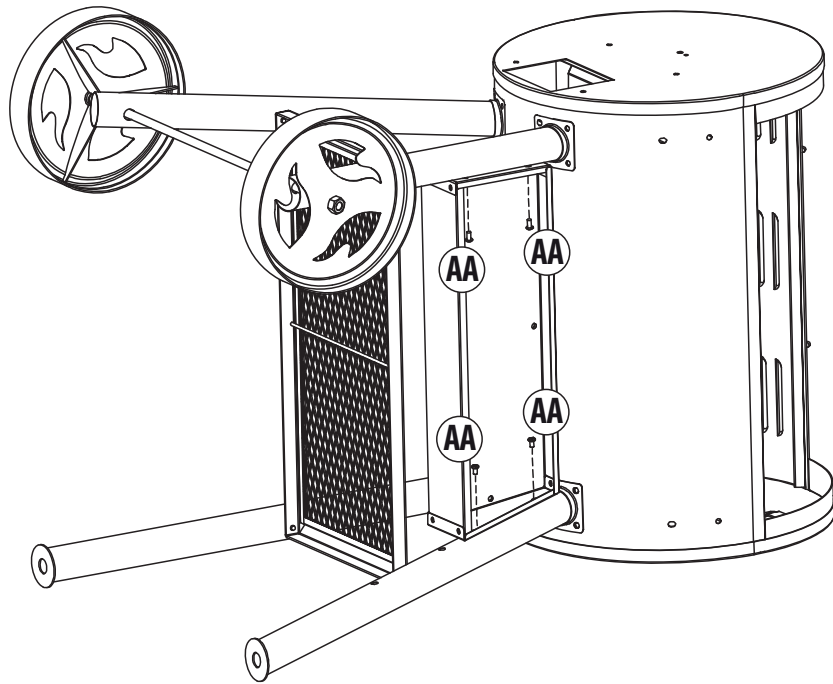


9

AA



4x

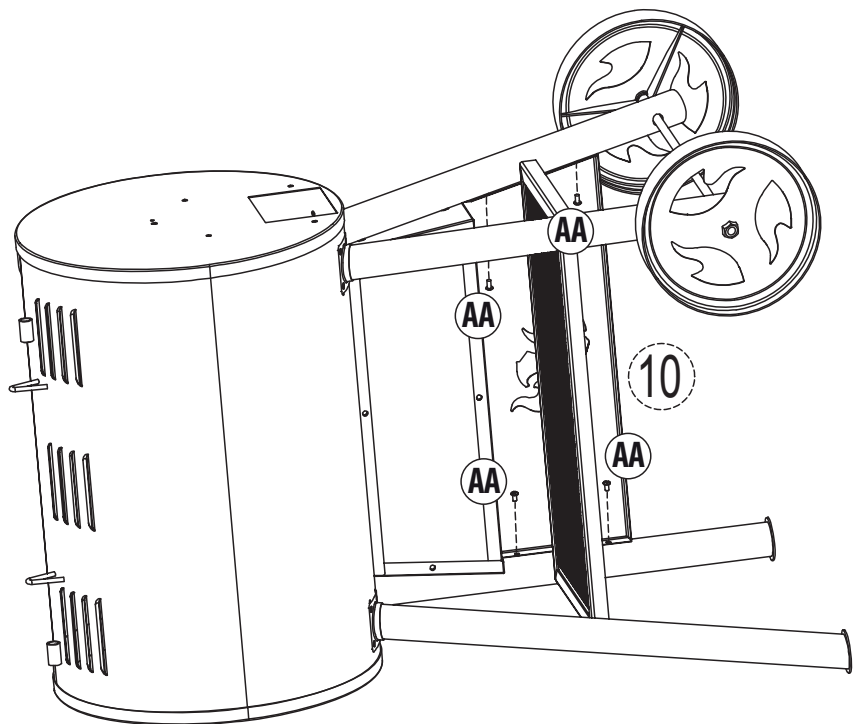


10

AA







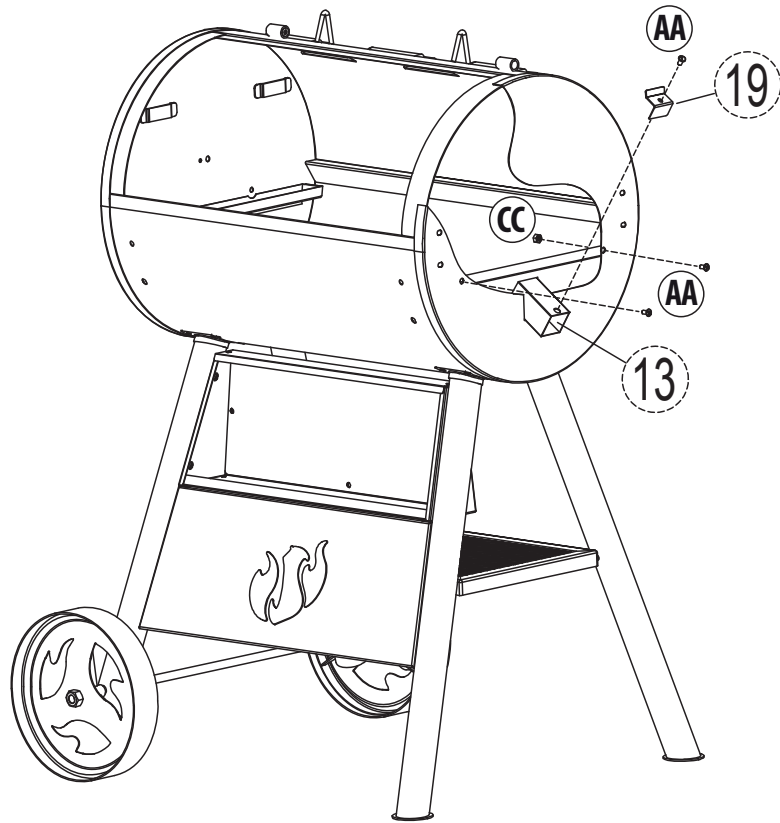
4x



NOTE: Now tighten all bolts securely from steps 2-3 and steps 9-10.

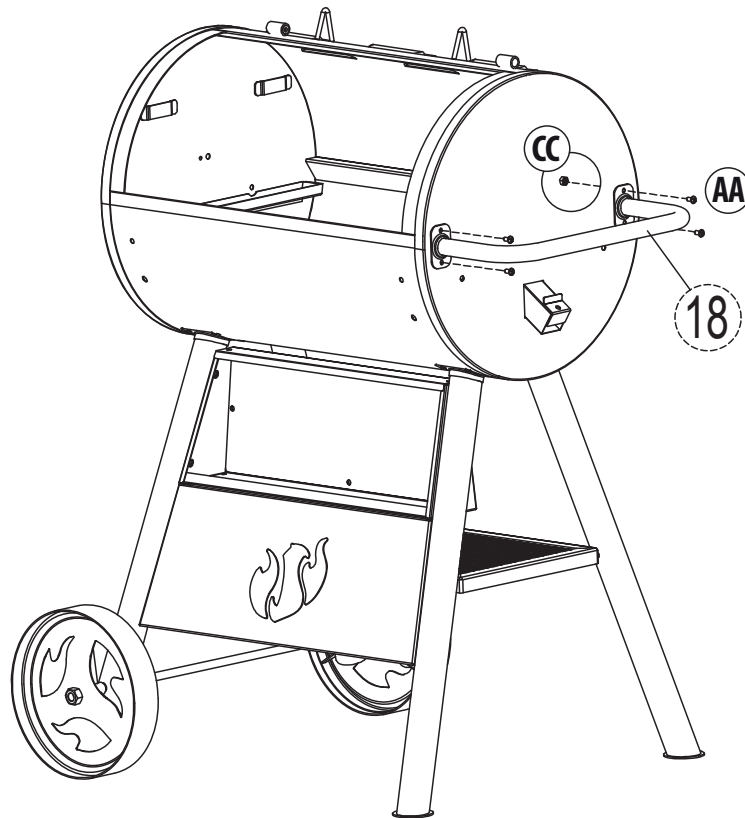
11

- | | |
|---|---|
|  |  |
|  |  |
| 3x | 2x |





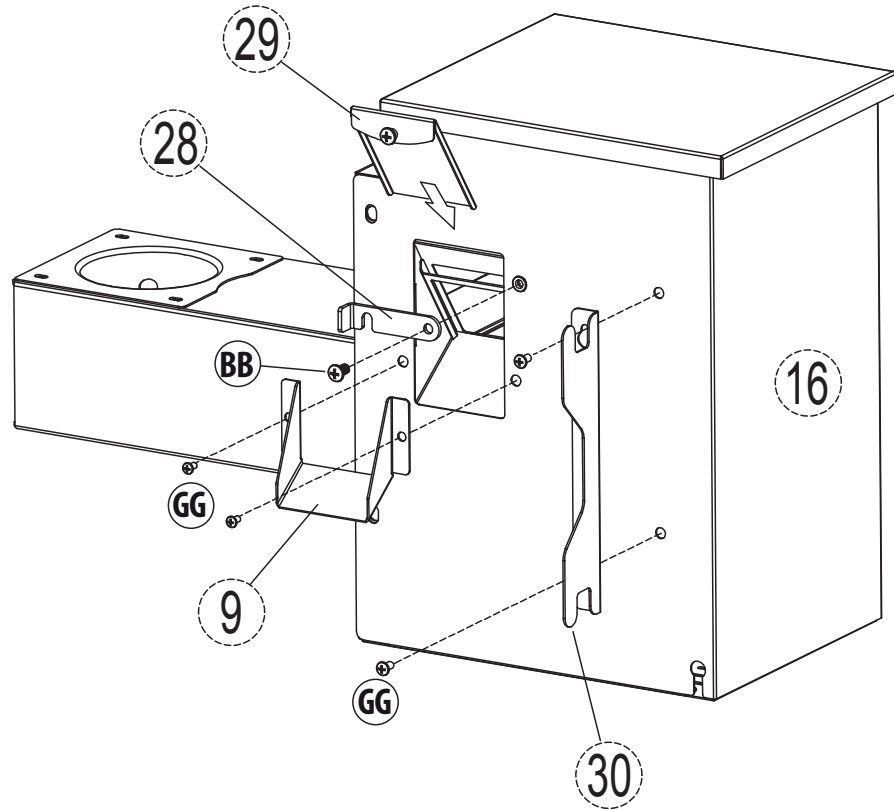
12

- | | |
|---|---|
|  |  |
|  |  |
| 4x | 4x |




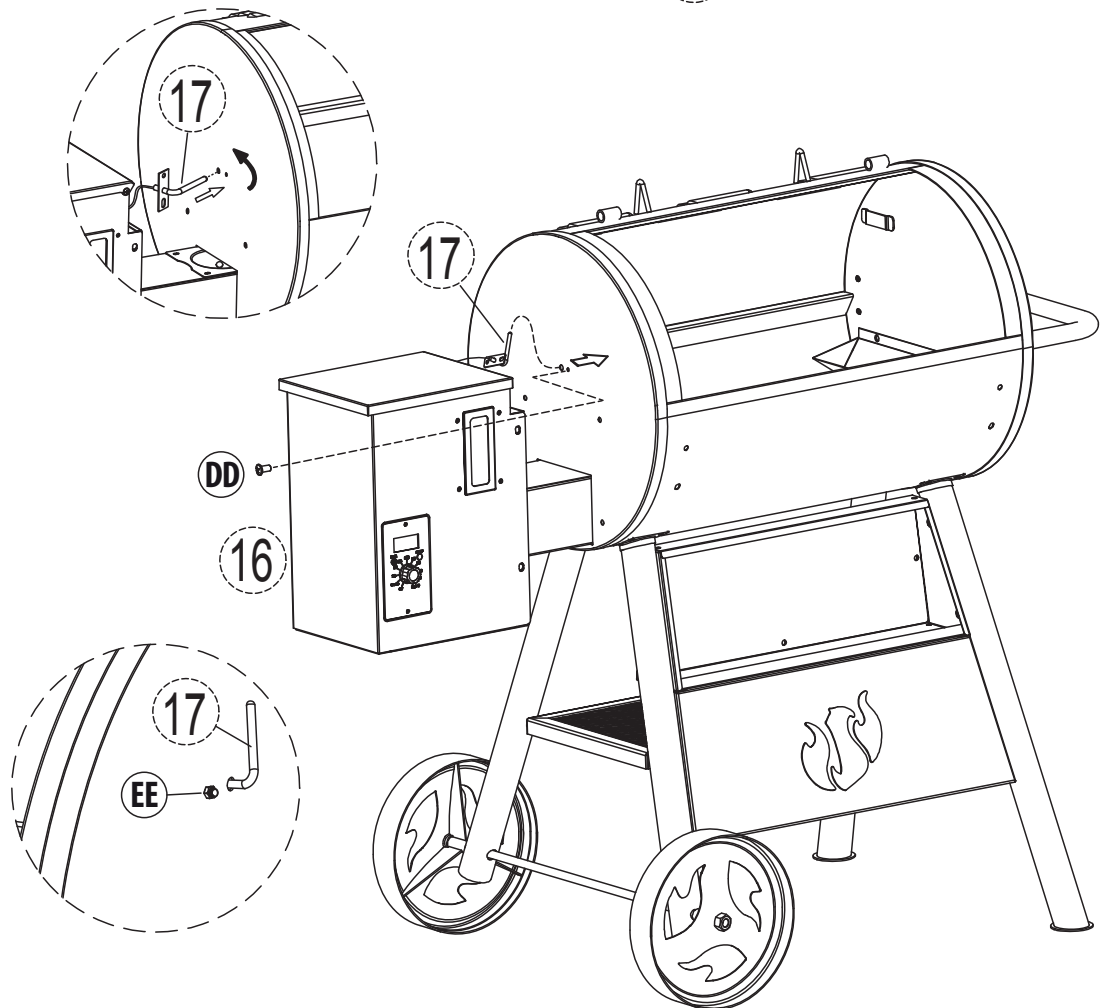
13

- GG** **BB**
-  
- 4x 1x

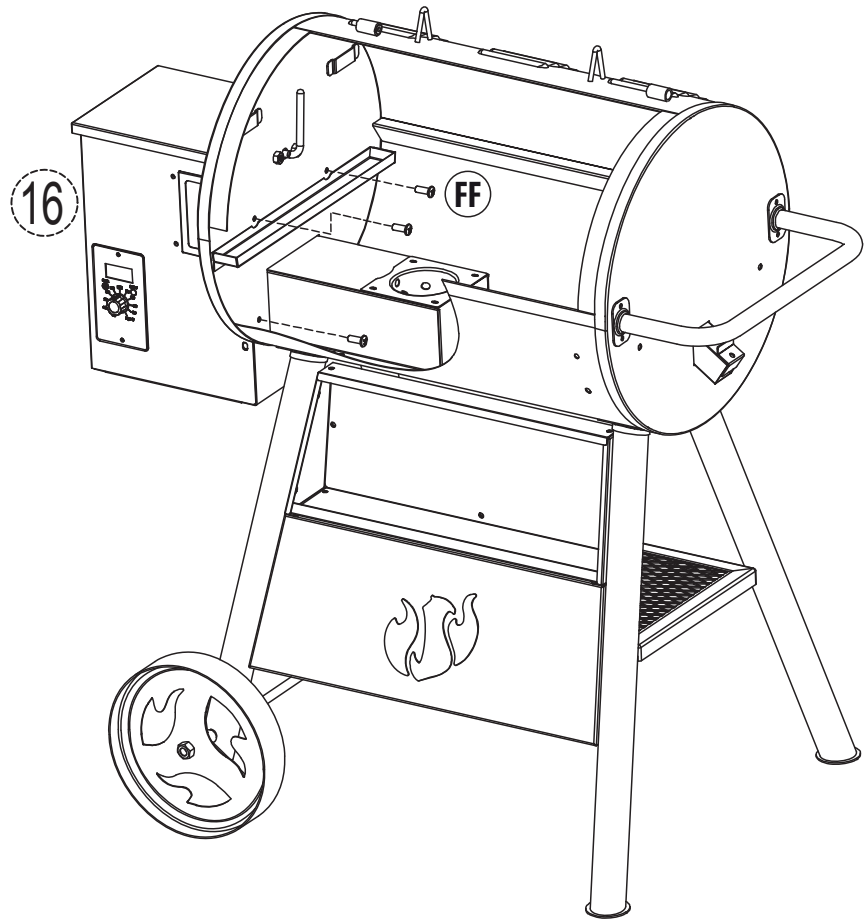



14

- DD** **EE**
-  
- 1x 1x

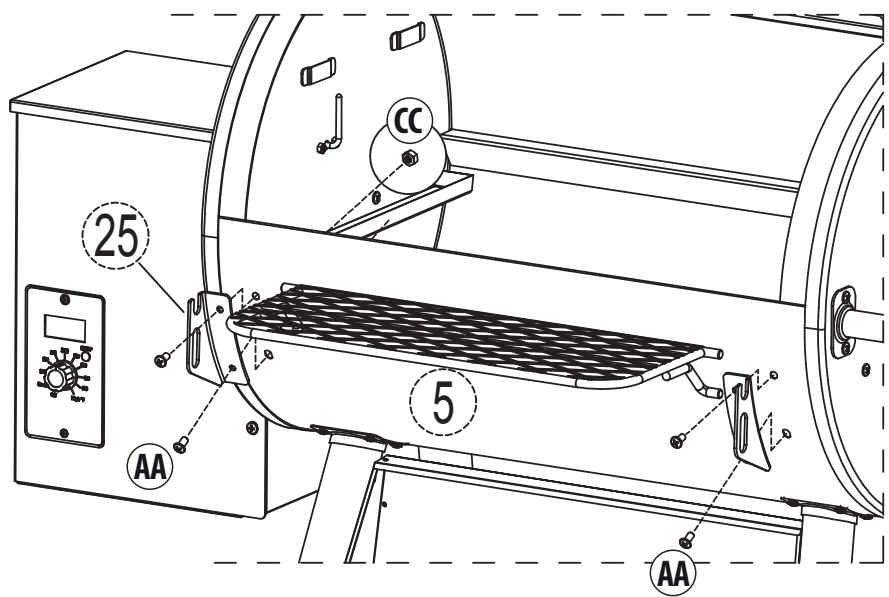




15

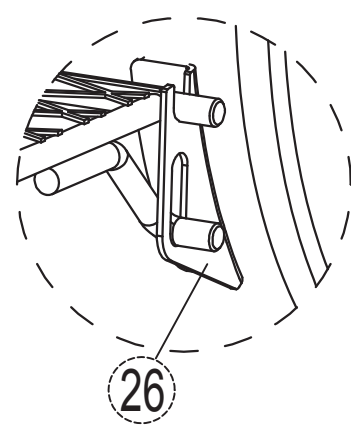


- FF
- 
- 4x

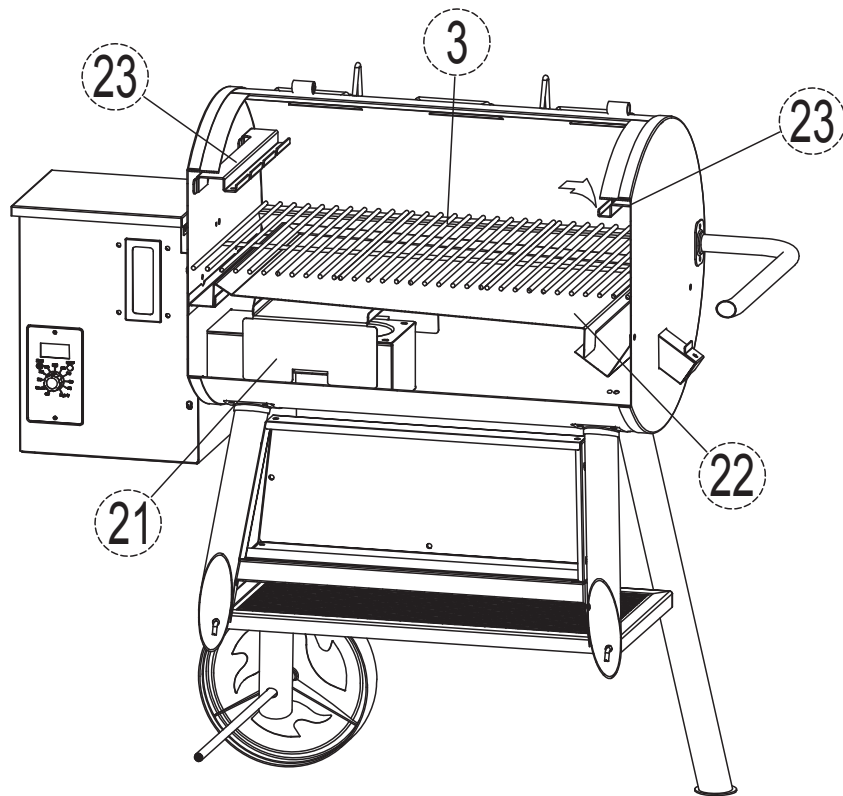
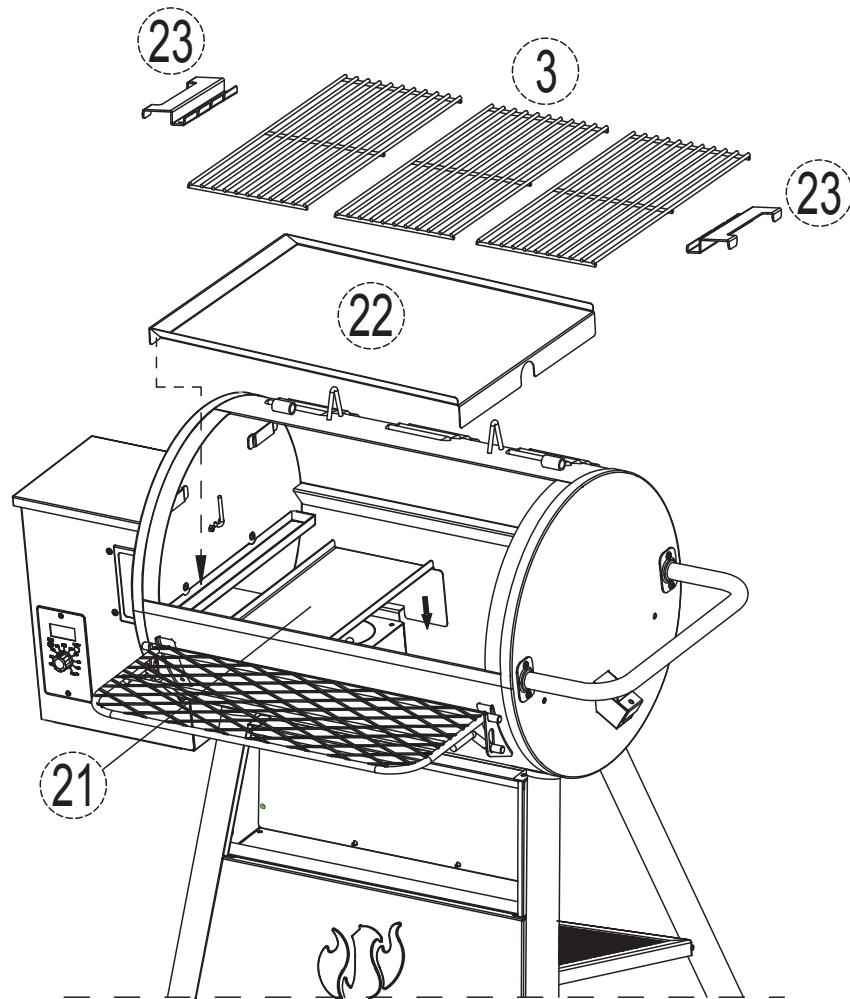
16



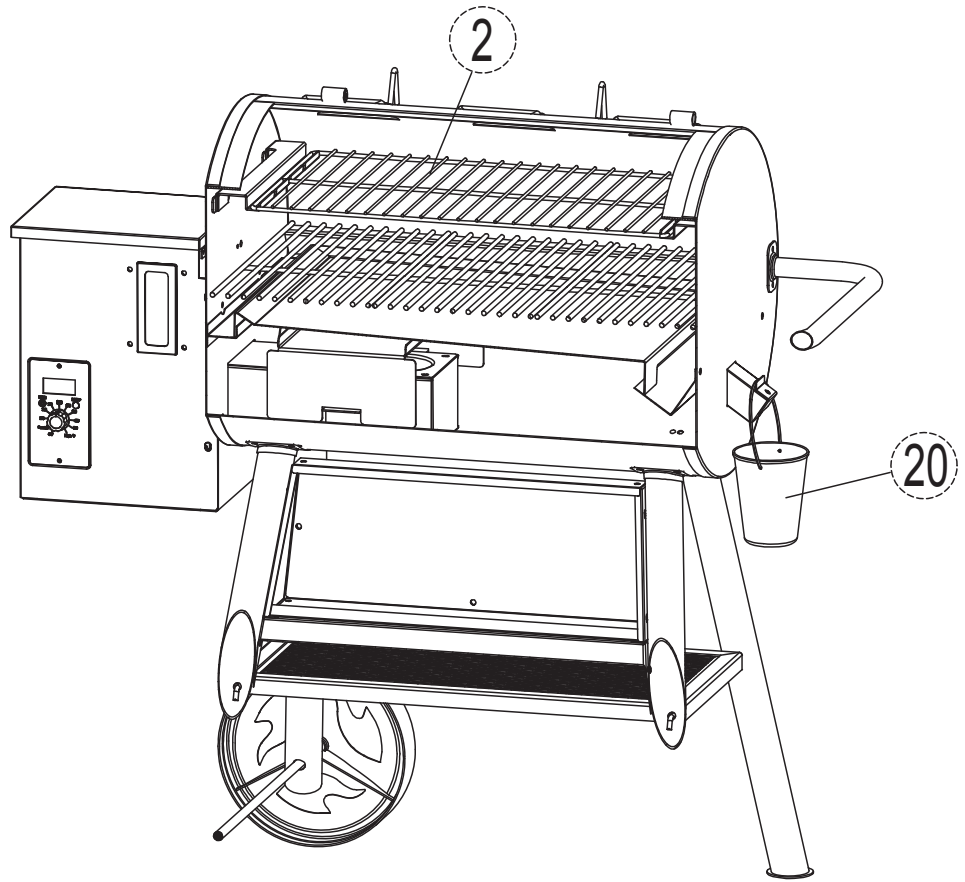
- AA
- CC
- 
- 4x
- 
- 4x



17



18

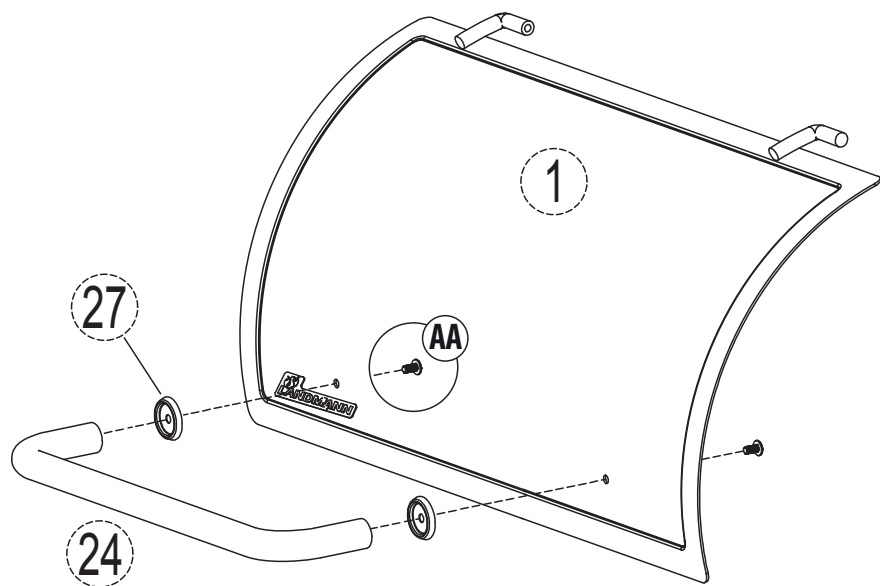


19

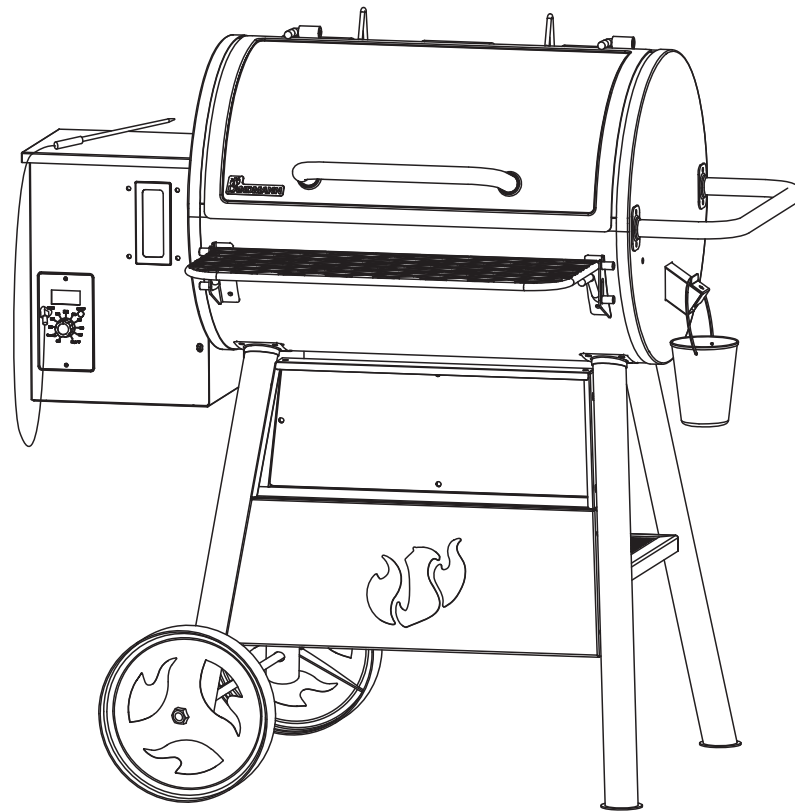
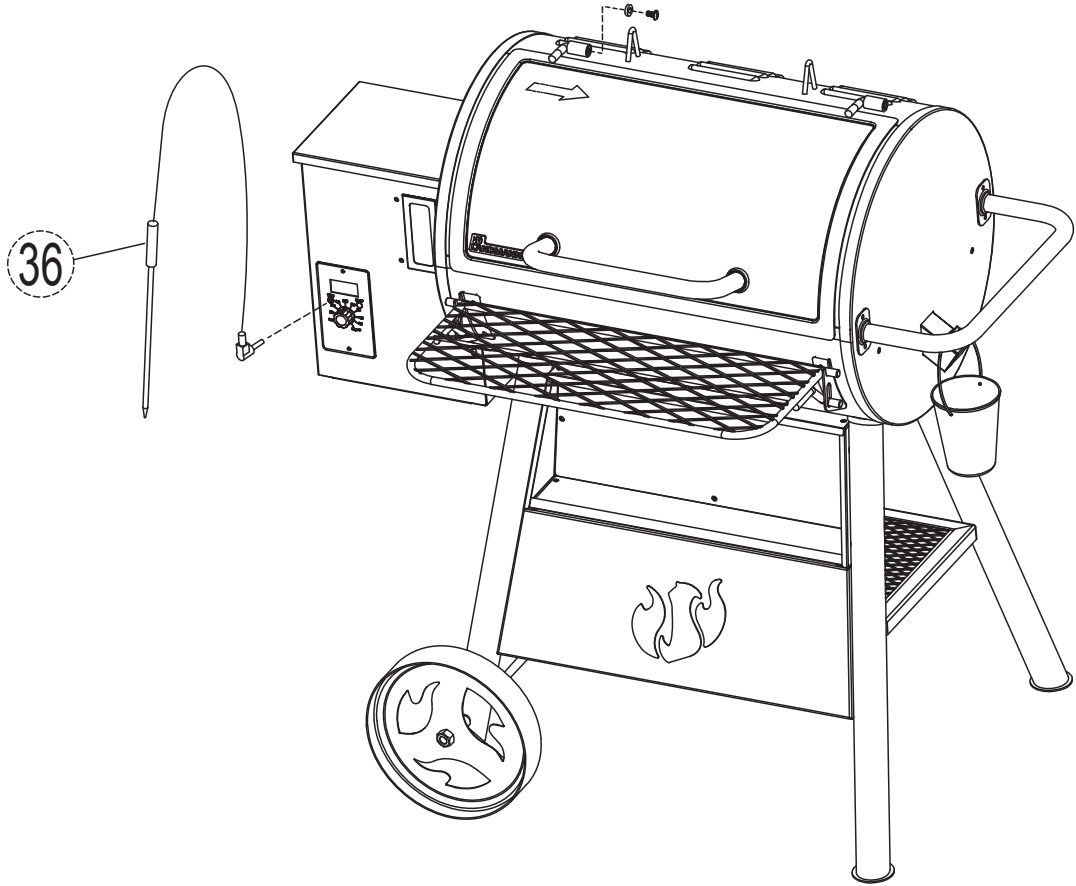
AA



2x



20

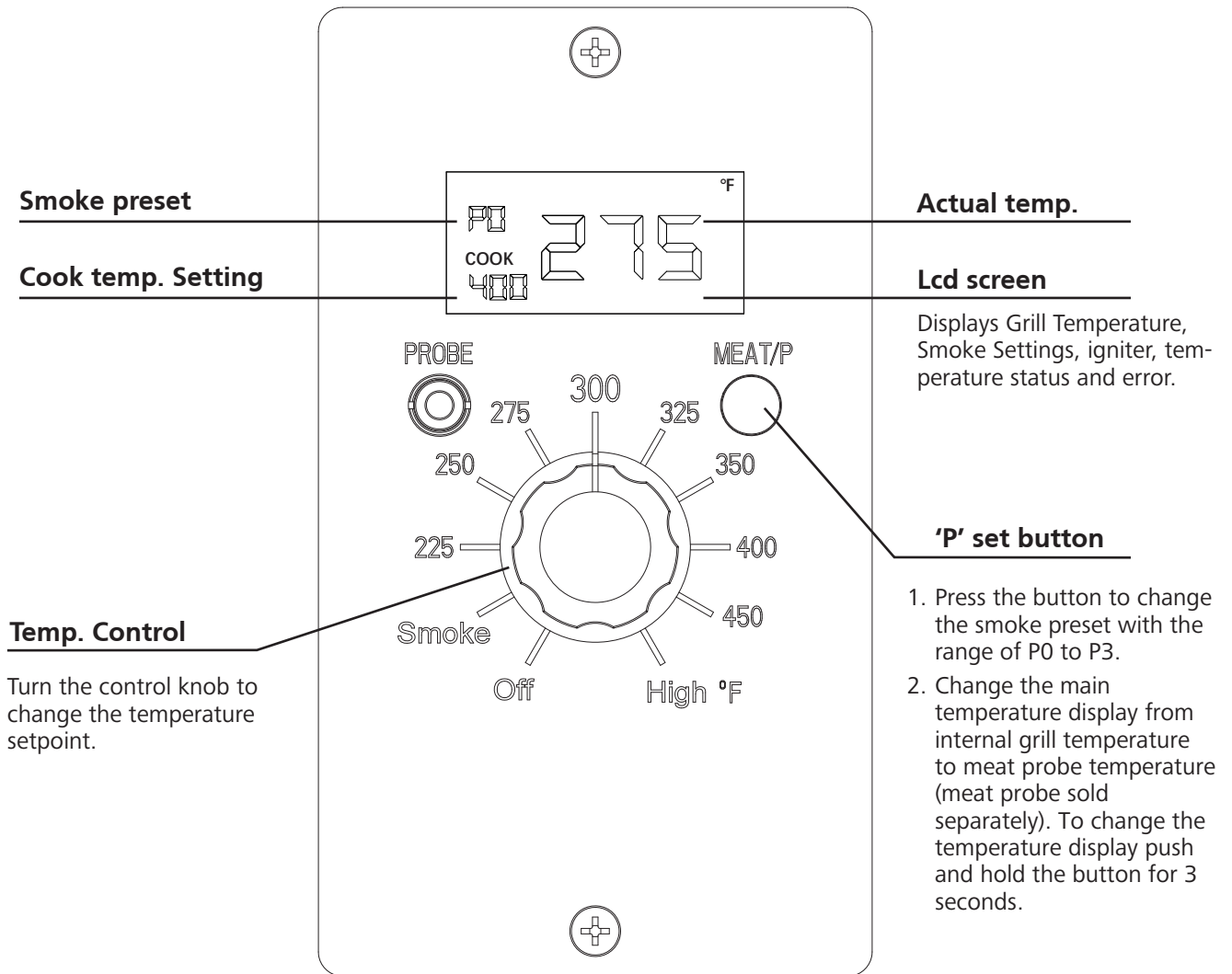


Controller Instructions

NOTE:

- The maximum temperature that the pellet grill can achieve is influenced by the ambient temperature. In colder weather, the grill may not be able to achieve the highest set temperature and it will continually feed pellets into the fire pot attempting to reach the set temperature.
- There might be some discrepancy between the digital temperature displayed and the actual temperature inside the grill. Some variance is normal due to temperature gauge locations and calibration differences.
- When changing the operating temperature, allow up to 15 minutes for the temperature to stabilize. If lowering the temperature, it is best to leave the open lid for a few minutes to help decrease quicker.

CONTROLLER FUNCTIONS



Preparation for Use & Lighting Instructions



Place the grill outdoors on a hard, level, non-combustible surface away from roof, overhang or any combustible material. Never use on wooden or other surfaces that could burn. Place the grill away from open windows or doors to prevent smoke from entering your house. In windy weather or rainy weather, place the grill in an outdoor area that is protected from the wind and rain.

Do not leave the meat probe inside of the grill for extended periods of time when cooking at temperatures above 350F. The meat probe is not designed to withstand long periods at temperatures higher than this. Only use the meat probe#PF0024 produced by Landmann for this grill.

Read all safety warnings and instructions carefully before operating your grill.

PRECAUTIONS:

- Read and follow all warnings on Page 2 and 3 of this manual, before operating the grill.
- For first time operation of the grill, please follow the "SET UP PROCEDURE" to ensure the auger tube is fully loaded with pellets. For subsequent operation of the grill, please follow the
- "LIGHTING INSTRUCTIONS" to ignite the grill.



WARNING:

- Never add pellets to a hot fire pot by hand. You could be seriously burned. If the pellets run out or the fire goes out, wait until the grill cools down, and then follow the "SET UP PROCEDURE" to restart.
- Never put water in the fire pot as this could cause the auger to jam.
- Never use water to extinguish flare-ups. Close the lid and turn off the grill and wait for the fire to extinguish itself.
- Never use any flammable liquids, such as gasoline, gasoline-type lantern fuel, kerosene, charcoal lighter fluid, or similar liquids, to start or freshen-up the fire! Keep all such liquids well away from the grill while it is in use.

SETUP PROCEDURE

Follow this procedure before first use and after every other use, or after a long cook time.

This should ONLY be performed when the grill is cool, before being used.

NOTE: During shipping or moving around your deck, some components may have shifted from position. A complete visual inspection of the grill assembly is required. Follow these initial Setup Procedures to ensure proper and safe operation.

Step 1

Open the grill lid; remove the warming racks and cooking grates.

Step 2

Remove the grease tray and clean off any excess food drippings or grease build-up.

Step 3

Inspect and clean the grease drain. Ensure the drain tube is not blocked.

Step 4

Remove the flame baffle. Inspect the bottom of grill body and clean out pellet ash. Also inspect and clean out fire pot. Ensure there are no foreign objects in the fire pot and that the ignitor is clean and clear of debris.

Preparation for Use & Lighting Instructions

Step 5

Open the hopper lid and check for any foreign objects. Fill the hopper with your choice of wood pellet fuel made for barbecue and close the hopper lid.

Step 6

Ensure the control knob is in the OFF position.

Step 7

Turn the control knob to "High".

Step 8

Observe the auger turning as pellets fill the tube. Once pellets reach the fire pot, turn OFF the grill. DO NOT reach into the fire pot.

Step 9

Re-install the flame tamer, grease tray, cooking grates and warming racks. Close the grill lid. The grill is now ready for use. Follow the LIGHTING INSTRUCTIONS to continue.

LIGHTING INSTRUCTIONS

1. With the grill properly setup and located for operation, ensure control knob is in the OFF position. Plug the power cord into a 120V grounded electrical outlet. (Refer to SETUP PROCEDURE for more information.)
2. Open the grill lid. Ensure all components are properly installed and ready for use.
3. Ensure the hopper does not contain any foreign objects and is properly filled with barbecue wood pellets.
4. Ensure the auger tube of the hopper is filled with pellets, if not, go back to Setup Procedure to fill pellets into auger tube.
5. Turn the control knob to 'Smoke'. Listen for operation of fan and auger motors. Within 5 minutes smoke should become visible. If smoke does not initially appear, turn OFF power and wait 5 minutes before attempting to relight. (Refer to the troubleshooting section of the manual for more information.)
6. Ensure the grill is lit, keep the grill lid open for 5 minutes to complete the lighting procedure.
7. Select the desired cooking temperature and smoking preset. (Refer to COOKING INSTRUCTIONS for more operating information.)


Note: We recommend setting the control knob to "High" for 10 to 15 minutes to preheat the grill.

If the grill temperature is higher than your selected setting temperature, open grill lid to cool until the grill temperature is close to the selected setting temperature.

WARNING:

- The pellet hopper must be properly setup with pellets in the auger tube prior to lighting the grill.
- Never add or use wood chips or particles in the hopper. Use only barbecue grade pellets.
- Use only a maximum length of 25', extension cords with a 3 prong grounding plug rated for power of the equipment and approved for outdoor use with a W-A marking.
- Do not break the ground end off the cord or use a non-grounded outlet or extension cord.
- Never immerse cord, plugs or electric elements in water or any liquid.
- Never operate the grill with a damaged power cord or plug, or after the grill has malfunctioned or been damaged in any manner.
- Keep any power cord away from any heated surfaces.

NOTE: If the grill fails to light, inspect the fire pot for the presence of pellets or build-up of pellet ash. If the fire pot contains too much ash, clean it out using a shop vacuum. Also be certain the fan blower motor and auger are working by observing these parts after starting the grill. If they are working, turn OFF the power and reassemble all components.

 **WARNING:** Never inspect or perform maintenance on a hot grill. Allow to properly cool before inspecting or cleaning your grill.

Operating Instructions



A MAJOR CAUSE OF FIRES IS FAILURE TO MAINTAIN REQUIRED CLEARANCES (AIR SPACES) TO COMBUSTIBLE MATERIALS. IT IS OF UTMOST IMPORTANCE THAT THIS PRODUCT BE INSTALLED ONLY IN ACCORDANCE WITH THESE INSTRUCTIONS.

CURING THE GRILL

Before initial use, it is recommended to cure the grill to remove manufacturing oils or residue and minimize smoke odors or unnatural flavors from being added to food.

- Follow "Setup Procedure" to ensure the grill is safe for operation.
- Follow "Lighting Instructions" to start the grill.
- Set the temperature to 250 F and allow to operate for 2 hours.
- Increase the temperature to 400 F and allow to operate for an additional hour.
- Turn OFF the grill and allow to properly cool.

YOUR GRILL IS NOW CURED AND READY FOR USE.

PREHEATING THE GRILL

Prior to each use, preheat the grill to remove bacteria or foreign material left from previous use.

This also increases the cooking performance since all of the grates and components have balanced temperature.

Without preheating, it takes much longer to get food to cooking temperature.

- Follow "Setup Procedure" to ensure the grill is safe for operation.
- Follow "Lighting Instructions" to start the grill, then turn the control knob to "High".
- Close the lid and allow the grill to maintain at least 400 F for about 10 minutes.
- Open lid, set the controller to the desired temperature. Close the lid once the temperature is close to the desired setting.
- Cook food as desired. (See "Cooking Instructions" for more operating information.)

COOKING INSTRUCTIONS

The pellet grill has two modes to control the pellet feeding speed. These are designated as the Cook Mode and the Smoke Mode. The Cook Mode is for grilling or slow cooking methods, while the Smoke Mode is for smoking and adding flavor to foods being prepared.

COOK MODE

After get the grill is properly lit, turn the control knob to the desired cooking temperature. The grill will automatically maintain the set temperature by adding pellet fuel to the fire pot when needed by monitoring the internal grill temperature. Therefore, it is important to keep the grill lid closed for the grill to function properly.

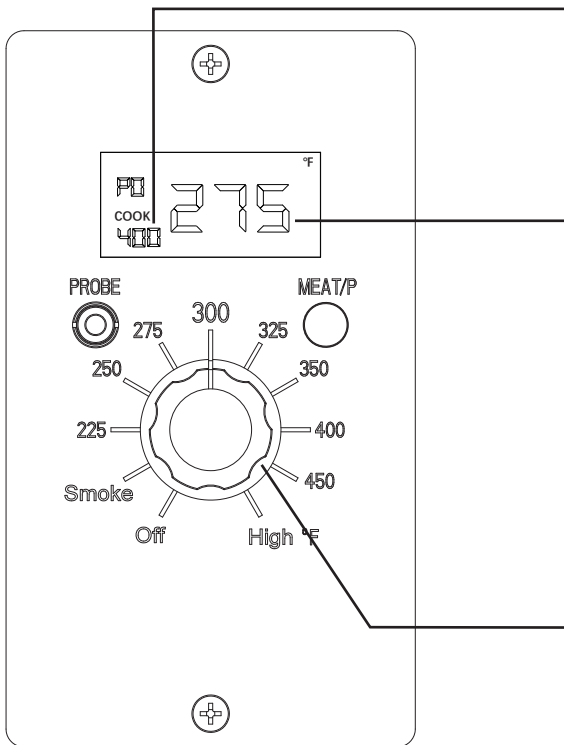
NOTE:

The maximum temperature the pellet grill can achieve is influenced by the ambient temperature.

In colder weather, the grill may not be able to achieve the highest set temperature and it will continually feed pellets into the fire pot attempting to reach the set temperature.

Operating Instructions

COOKING INSTRUCTIONS



Set Temperature

Once the controller has been set to a desired temperature, the target temperature will be displayed along with "COOK", which indicates the controller is set to standard cooking mode.

Actual Temperature

The internal temperature of the grill, as measured by a separate thermocouple, will be displayed in 5 degree increments. This may not exactly match the Set Temperature.

Control Knob

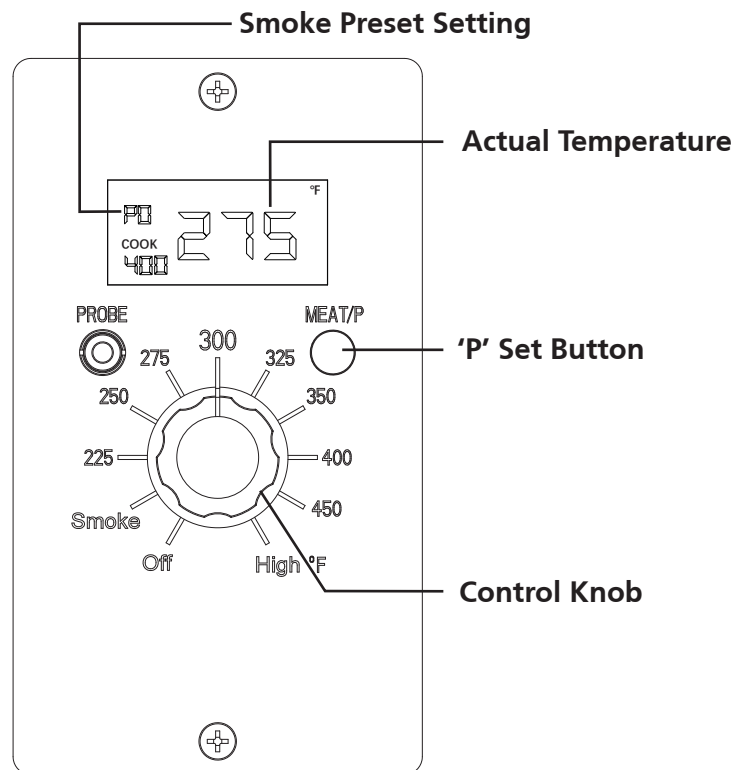
SMOKE MODE

In smoke mode, the grill regulates the time that the auger feeds fuel to the fire pot according to a preset, selectable program. The preset level can be chosen and set for better performance depending on the food being cooked. Increasing the preset would result in a lower cooking temperature.

Begin by following the SETUP PROCEDURE and LIGHTING INSTRUCTIONS.

- Leave the Control Knob set to "Smoke" to remain in smoke mode .
- Press the 'P' Set button to select one of four preset smoking programs, ranging from P0 to P3.
- The smoke preset will be indicated on the LCD display.

NOTE: Experiment in various Smoke mode presets to fully understand the operation, cooking temperatures and times before preparing food for the first time. There might be some discrepancy between the digital temperature displayed and the actual temperature inside the grill. Some variance is normal due to temperature gauge locations and calibration differences.



Operating Instructions

COOKING INSTRUCTIONS

The following table represents the preset smoking modes showing the relation of smoke produced with the cooking temperature. A higher preset level will produce more smoke, but a lower cooking temperature.

Smoke Mode Setting	Smoke Produced	Cooking Temperature
P0	LOW	HIGH
P1	↓	↑
P2	↓	↑
P3	HIGH	LOW

⚠ WARNING

NEVER add wood pellets to fire pot while it is HOT or in USE! Serious injury could result!

POST COOKING INSTRUCTIONS

It is recommended to allow the grill to operate at a high temperature following each cooking to burn off excess juices to help maintain a clean cooking appliance (similar to a self-cleaning oven).

- Turn the control knob to “High”.
- With lid closed, allow the grill to operate 5 to 10 minutes, depending on what was cooked, or the amount of residue/grease on the grates.
- Turn OFF the grill (refer to “Shutdown Instructions”).
- Using a long-handled grill cleaning brush, scrap clean the cooking grates.
- Once the grill has properly shut down and cooled, unplug the power cord and properly store the grill in a safe, dry place away from children and pets.

Shut Down Instructions

- After you have finished using the grill, turn the control knob to the OFF setting, this will set the grill into shutdown mode.
- In shut down mode the auger will stop feeding pellets into the fire pot but the blower fan will continue running for 5 to 10 minutes to burn out the pellets that are in the fire pot.
- It is important that you DO NOT unplug the grill until this cycle is complete.
- Once the blower fan has stopped running then proceed to unplug the grill from the electrical outlet.
- Always leave the grill unplugged from the electrical outlet when not in use.

⚠ WARNING: Always wear dry, protective gloves or oven mitts when cooking or cleaning hot cooking grates.

⚠ IMPORTANT:

- Never move your pellet grill while it is hot or in use.
- Make sure the flame baffle and grease tray are properly installed. If not properly installed, a grease fire could result.
- Use caution when handling food around the grill. All surfaces could become very HOT and may cause burns if touched.
- In Smoke Mode, for temperatures above 250 F, the grill may not produce smoke.

Grill Cooking Tips

WOOD PELLETS

ONLY USE wood pellets made for barbecue, not heat grade pellets. Barbecue wood pellets should be 100% all natural wood and come in a variety of types of wood that will add flavor to whatever food you are grilling or smoking.

If possible, always use fresh wood pellets for each cooking session to ensure they burn properly giving off the correct amount of heat and smoke flavor.

Store unused wood pellets in a safe, dry place, preferably in a moisture proof plastic container with a resealable lid.

GRILLING TIPS

- ALWAYS keep your grill clean and stored in a safe, dry place.
- After the food has finished cooking and been removed, it is recommended to set a high temperature in Cook Mode and allow the grill to “burn off” food residue and drippings. If a fire occurs, do not unplug the power cord. Keep the lid closed and turn the power OFF at the Command Center. The fire should burn itself out shortly while the grill is in shut down mode.
- Preheat the grill before setting the desired grilling temperature or entering smoke mode. This will not only get the grates hot, but also help the grates and other parts remain hygienic.
- Clean or wipe off cooking grates prior to use to help reduce food stains or flare ups.
- Ensure the grease bucket is clean before each use. To make clean up easier, place aluminum foil inside the bucket as a liner.
- Never spray vegetable oil onto hot cooking grates.
- Keep the lid closed while grilling or smoking. The pellet system operates based off the internal temperature of the grill.
- For long cook times, periodically look into the pellet hopper to check the level of wood pellets. Add more wood pellets as needed. DO NOT reach into the hopper while the grill is operating.
- Practice makes perfect. As with any smoker or grill, the more you use it, the more you understand the cooking temperatures and performance.

GRILLING TIPS & CLEANLINESS

- If you pre-cook meat or poultry, do so immediately before grilling.
- Never defrost meat at room temperature or on a countertop.
- Refrigerate leftovers within 2 hours of taking off the grill.
- Always wash hands thoroughly with soap and hot water prior to handling food and after handling raw meat, uncooked poultry or seafood.
- When using a platter to carry raw meat, uncooked poultry or seafood, make sure to wash the platter thoroughly with soap and hot water before placing cooked foods back on the platter.
- Never use the same utensils when handling raw meat, uncooked poultry or seafood unless you wash the utensils thoroughly with soap and hot water.
- Never re-use marinade from raw meat or uncooked poultry on foods that have been cooked and are ready to serve.

Care and Maintenance

Cleaning the Grill Body

Use warm, soapy water to clean the outside of grill body with a cloth and then wipe it dry. Treat the interior surface of grill body with a light coat of vegetable oil and then wipe it dry periodically to prevent rusting.

DO NOT use oven cleaners, abrasive cleaners or abrasive cleaning pads on the surface of the grill body.

Cleaning the Cooking Grates and Grease Tray

With a cloth, use warm, soapy water to wash the cooking grates and grease tray and then wipe them dry. Lightly coating them with vegetable or olive oil will help prevent corrosion.

After removing cooked food and grates are still hot, carefully brush the cooking grates with a long handled cleaning brush. Wear oven mitt or gloves when around a hot grill.

Cleaning the Grease Bucket

For easier cleaning, use aluminum foil to line the grease bucket. Periodically, clean or replace the aluminum foil liner. Keep excess grease out of the grease bucket and the interior of grill body.

If too much grease collects inside the grill or within the grease bucket, a grease fire could result.

Removing Wood Pellet Ash

Depending on use, periodically remove wood pellet ash that has collected within the fire pot and grill body or other parts. With the grill **COLD** and **UNPLUGGED**, remove the warming racks, cooking grates, grease tray and flame baffle for access into the fire pot and grill body.

Storing the Grill

Disconnect the power cord and store the grill in a dry, safe place away from children and pets. If the grill is stored outdoors, make certain it is properly protected to prevent water from entering the hopper and grill body interior. If possible, do not leave wood pellets in the hopper during storage.

Paint and Corrosion

Never apply paint to interior surfaces. Rust spots on the interior can be buffed, cleaned and then lightly coated with vegetable oil or vegetable oil spray. Maintaining a light coat of oil will help minimize rusting.

To protect against excessive rust, keep the grill clean and covered at all times when not in use.

Proper cleaning, maintenance and the use of clean, dry, quality pellet fuel will prevent common grill operational problems.

However, in the event of poor operation or product failure, refer to "Troubleshooting" section for helpful tips.



DO NOT RETURN the appliance to the store. Contact Customer Service at 1-800-321-3473 for assistance first.



WARNING: Always disconnect the electrical cord prior to inspecting, cleaning, maintenance or service work.



NEVER perform any inspection, cleaning, maintenance or service on a **HOT GRILL**.

Troubleshooting

PROBLEM	CAUSE	SOLUTION
The grill won't ignite.	Power.	Verify there is power at the outlet. If connected to a GFCI outlet, check and reset if necessary. If there is power but the grill fails to ignite, contact Customer Service at 1-800-321-3473.
Pellets aren't being delivered into the Fire Pot.	Pellet Hopper is empty or pellets failed to fall into auger tube.	Verify there are pellets in the Pellet Hopper and they are not stuck on the side walls. If they are stuck, gently bump the hopper walls to shake the pellets loose and/or add more pellets. If the grill has run out of pellets, allow up to 5 minutes for them to travel to the fire pot. Verify the auger motor is operating as described in SETUP PROCEDURE. If this fails, contact Customer Service at 1-800-321-3473.
Fire will not remain lit.	Excess ash in the Fire Pot.	Excess ash in the Fire Pot may be the problem. Unplug the grill and wait until the grill cools down. Then open the Cooking Chamber, use caution to remove the warming racks, cooking grates, grease tray and flame baffle from inside the grill. And then remove all unburned pellets and ash from inside and around the Fire Pot. A shop vacuum with a hose is ideal for this task. After cleaning the ash, reinstall the warming racks, cooking grates, grease tray and flame baffle into the grill. Initiate the GRILL LIGHTING INSTRUCTIONS. If the grill fire still goes out, please contact Customer Service at 1-800-321-3473 for additional support.
Electric element (Igniter) does not get hot.	Check that the 3-wire plug is fully seated into a 3-wire grounded GFCI outlet wired for 120 volts and protected at 7 or 10 amps. Check the breakers or fuses for the outlet being used are not open or blown. Check that the GFCI outlet has not been tripped. Electric element only heats up (becomes red) during the first 5 minutes after power switch is turned on. Fuse-Blown.	Reset plug in a 3-wire grounded GFCI outlet wired for 120 volts and protected at 7 or 10 amps. Reset breakers or replace fuse. Reset GFCI outlet. Turn control knob to the "OFF" position for 5 minutes then follow Lighting Instructions. Replace max fuse size: 5mm x 20mm, 5 amps.
Grill is not getting hot enough.	Temperature set too low. Grill lid being open too long or too often. No fire burning.	Adjust the Control Knob to a higher temperature. Open the grill lid only when necessary. Inspect and verify the Pellet Hopper is full and the Fire Pot does not contain too much ash. DO NOT touch any HOT parts. Allow the grill to cool first.
Grill is getting too hot.	Operating temperature set too high. Auger continuously runs.	Adjust the Control Knob to a lower temperature. If the temperature continues to go higher than the setting, contact Customer Service at 1-800-321-3473.
Excess smoke from chamber or chimney.	Grease fire.	Some smoke is normal, but if excess smoke is observed and the temperature has increased, there could be a grease fire. Turn OFF and unplug the power cord. A simple grease fire should extinguish itself. If fire continues, use baking soda to smother the fire or contact the FIRE DEPARTMENT.
Unexpected grill temperature is displayed.	Grill is exposed to direct sun light or high ambient temperatures.	Use the grill in a shaded area when possible. However, other than showing incorrect temperature readings, this will not harm the grill. Briefly open the grill lid to help reduce the temperature if needed.

Troubleshooting

PROBLEM	CAUSE	SOLUTION
Temperature or digital display does not match "set" temperature.	Outdoor temperature, lid open.	Close the grill lid and allow up to 15 minutes for the temperature to stabilize. Operating the grill in very cold conditions may affect the performance.
LCD screen does not illuminate.	Missing or incorrect power supply. LCD screen failure. Blown fuse on circuit board.	Ensure the grill is properly connected to a working GFCI outlet supplying 120 volts. If the display has failed, contact Customer Service for replacement controller. Inspect and replace the 5 amp fuse. (See Control Board Back View on Page 29 for information)
"ErH / HEr" error message	The grill has overheated, possibly due to grease fire or excess fuel.	Turn the grill OFF then unplug the power cord and allow grill to cool. Clean grill interior, remove excess pellets from fire pot and confirm positioning of all component parts.
"Err" error message	Grill probe disconnection or failure.	Unplug the power cord and allow grill to cool. Ensure grill probe wiring is properly connected and inspect for possible damage.
	<ol style="list-style-type: none"> 1. Control knob was not in the OFF position when grill connected to AC power. 2. Grill temperature lower than 120°F due to flame out. 	<ol style="list-style-type: none"> 1. Turn Control knob to OFF, wait 2 minutes, then select desired temperature. It is a safety feature prevents an inadvertent start. 2. Turn off grill and unplug the power cord, then restart the grill to relight. If the error continues, contact customer service at 1-800-321-3473 for assistance.
"ErL / LEr" error message	The temp inside the grill is too low to continue working.	<p>Must turn the grill OFF then unplug the power cord, before go to below verification.</p> <ol style="list-style-type: none"> 1. Verify there are enough pellets in the hopper. Need to re-feed the pellets and restart the grill if it does not have enough pellets. The temp inside the grill will go down and stay low if there is not enough pellets available in hopper. 2. Open the grill lid, take the cooking grid, grease tray out, then observe if the auger work properly. If the auger can not feed the pellet, the temp inside the grill will go down and keep low as well. There are two reasons that the auger may not work properly: Reason 1 - The auger jams if the pellet size is too large, the standard pellet size is about 6mm. Pellet larger than 6mm can easily jam. Reason 2 - The auger is broken. 3. Verify if the igniter is working properly. Clean the fire pot and expose the igniter. Start up grill and see if there is any heat coming from the igniter. Use Caution as igniter becomes very hot. If igniter fails to heat up, it is faulty and needs to be replaced.

Troubleshooting

PROBLEM	CAUSE	SOLUTION
Grill will not start.	Power	<ul style="list-style-type: none"> • Ensure unit is plugged in. • Verify there is power at the GFI outlet. • Check and reset the Ground Fault Interrupter if necessary. • If igniter not working, check 5 amp fuse found on the back of the control board (See Control Board Back View on Page 26 for information). Replace if necessary.
	Control knob	<ul style="list-style-type: none"> • Ensure control knob is in OFF position. • Turn control knob to SMOKE. LCD SCREEN will light up.
	Igniter	<ul style="list-style-type: none"> • Remove warming racks, cooking grates, grease tray and flame baffle. • Turn unit on and visually inspect the igniter. • Start unit using Lighting Instructions. • If still not working contact customer service at 1-800-321-3473 for additional support.
	Auger Motor	<ul style="list-style-type: none"> • Remove cooking grate, grease drain pan and flame tamer. • Turn unit on and visually inspect the auger feed. Remove Control Board and inspect the wires and connections. • If not working, Call customer service at 1-800-321-3473 for additional support.
	Control Board	Remove Control Board. Inspect the wires and connections. If no issues found, Call customer service at 1-800-321-3473 for additional support..
Grill will not achieve or maintain stable temperature.	Insufficient air flow through fire pot.	<ul style="list-style-type: none"> • Check the fire pot for ash build-up or obstructions. • Verify the blower fan motor is functioning, the air intake is not blocked and that the auger tube does not have any blockage. • Perform a quick test. Remove warming racks, cooking grates, grease tray and flame baffle. Ensure all the above has been done, start the grill, turn control knob to "High" and wait for 15 minutes. Check that the flame produced is bright and vibrant.
	Insufficient or poor fuel.	<ul style="list-style-type: none"> • Verify the hopper is full of wood pellets made for barbecues. • Feel the pellets to be certain they are dry. If wet, remove all pellets and refill with dry wood pellets made for barbecues.
	Dirty or blocked temperature sensor.	Clean the temperature sensor and verify it is not blocked or covered
	Improper control settings.	Ensure smoke preset setting is correct in SMOKE mode.
Grill produces excess or discolored smoke.	Excess grease buildup or dirty components.	<ul style="list-style-type: none"> • When the grill is cool, remove and properly clean the components. • It is good practice to "burn off " excess food after each use by setting controller to "High" after food has been removed. • Allow the grill to run for 5 to 10 minutes before turning the control knob to OFF.
	Poor quality or damp wood pellets.	Inspect the wood pellets and replace if needed.
	Excess amount of ash in Fire Pot.	When the grill is cool, remove ash from the Fire Pot using a shop vacuum.
Frequent flare-ups	Improper cooking temperature.	When cooking very greasy foods, keep the temperature under 350°F to help reduce flare-ups. Avoid putting greasy foods directly over the Fire Pot area.
Temperature variance or unstable temperature (especially following ignition)	Too many pellets in fire pot.	Adjust controller to a lower temperature and allow the cooking temperature to stabilize. This could take several minutes. Once the cooking temperature closely matches the set temperature (within several degrees), set new desired cooking temperature.





Troubleshooting

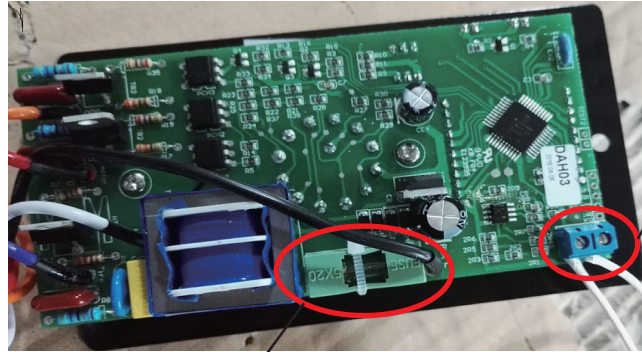
PROBLEM	CAUSE	SOLUTION
Flashing temperature on LCD Screen	SMOKE Mode If grill temperature below "130°F". COOK Mode If grill temperature below "150°F".	This is NOT an ERROR that effects the grill. USED to show that there is some risk that the fire could to out. Check the hopper for sufficient fuel or blockage. Check fire pot for ash build-up or obstructions. Check fan to con firm operation and speed. Check auger motor to con firm operation.
Flashing dots on LCD Screen	The igniter is ON.	This is NOT an ERROR that effects the grill. Used to show that the unit is in Start-Up mode.
During Smoke Mode, the temperature is too high.	Improper preset for desired smoking setting.	With the grill set to "Smoke", press the Meat/P button to select lower preset. Refer to table shown on page 21.

Troubleshooting

Control Board Back View

Board Wire Harness Connection

-  Blower Fan
-  Igniter
-  Auger Motor
-  Power Cord / AC Input

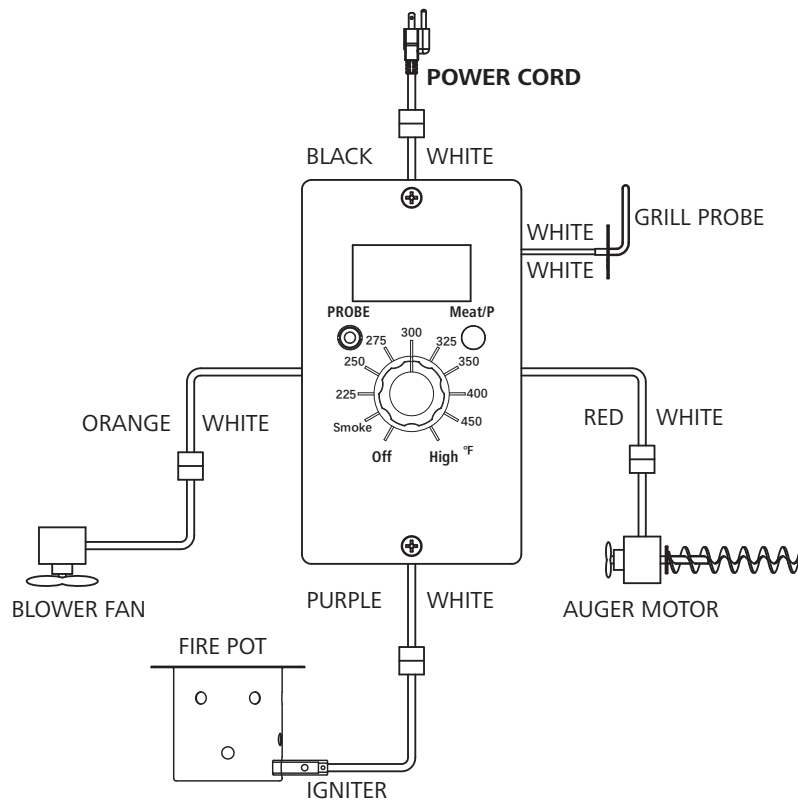


Grill Probe connections

5 amp 120 Volt Fuse w/ Housing
Cartridge Fuse

The circuit board is equipped with a 5 amp, 120 volt fuse to help protect against power surges and electrical shorts. When not in use, always unplug and store your grill. This will help prevent electrical damage from power surges or storms.

Digital Control Wiring Diagram

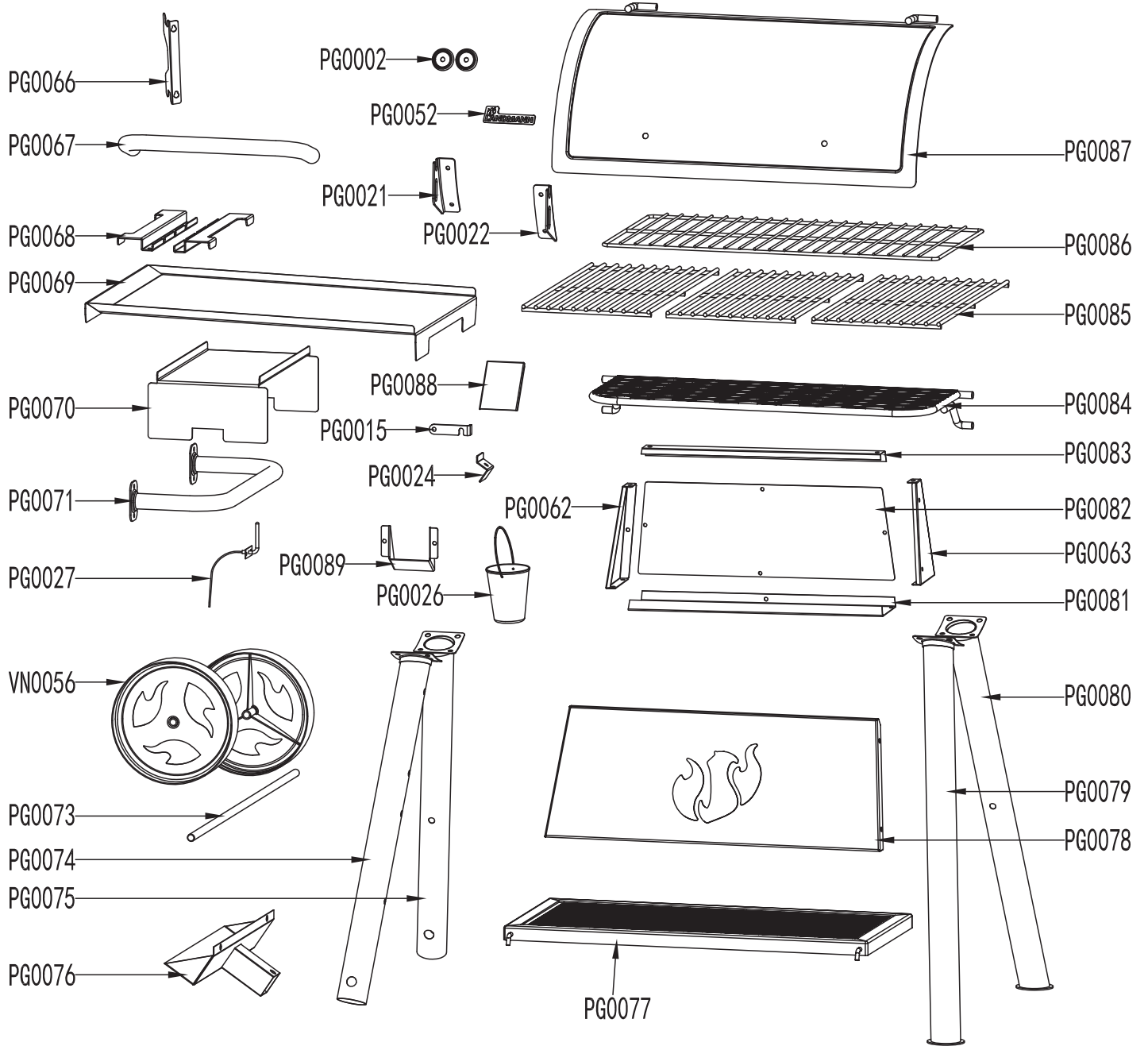


Replacement Parts

Part	Qty.	Part name
PF0010	1	Cord Wrap
PG0067	1	Lift Handle
PG0068	2	Cooking Bracket
PG0069	1	Grease Tray
PG0070	1	Flame Baffle
PG0071	1	Side Handle
PG0073	1	Wheel Axle
PG0074	1	Left Front Leg
PG0075	1	Left Rear Leg
PG0076	1	Grease Drain
PG0077	1	Bottom Shelf
PG0078	1	Cart Front Lower Panel
PG0079	1	Right Front Leg
PG0080	1	Right Rear Leg
PG0081	1	Condiment Shelf Bottom Brace
PG0082	1	Condiment Shelf Back Panel
PG0083	1	Condiment Shelf Top Brace
PG0084	1	Front Shelf
PG0085	3	Cooking Grate
PG0086	1	Warming Rack
PG0087	1	Lid
PG0088	1	Chute Door
PG0089	1	Hopper Chute
PG0090	1	Hopper Guard
PG0091	1	Magnet
PG0092	1	Hopper Housing

Part	Qty.	Part name
PG0093	1	Hopper Bottom Mesh Panel
PG0058	1	Hardware Pack
PG0095	1	Auger Housing
PG0096	1	Pellet Control Assembly
PG0002	2	Finishing Washer
PG0015	1	Locking Latch
PG0021	1	Left Shelf Bracket
PG0022	1	Right Shelf Bracket
PG0024	1	Grease Bucket Hook
PG0026	1	Grease Bucket
PG0027	1	Grill Probe
PG0030	1	Rubber Ring
PG0031	1	Control Board
PG0033	1	Fan Motor
PG0034	1	Gasket
PG0035	1	Igniter
PG0036	1	Auger Motor
PG0037	1	Rubber Plug
PG0041	1	Fire Pot
PG0042	1	Power Cord
PG0043	1	Hopper Window
PG0044	1	Hopper Window Gasket
PG0045	1	Hopper Window Frame
PG0046	1	Nylon Bushing
PG0047	1	Auger
PG0052	1	Landmann Logo Plate
PG0062	1	Condiment Shelf Left Brace
PG0063	1	Condiment Shelf Right Brace
101600	1	Meat Probe

Replacement Parts



Warranty

This Pellet Grill is warranted to be free of defects in material and workmanship when properly assembled, used in a normal household setting and cared for as directed in these instructions for 1 year from the date of the original retail purchase.

This warranty does not cover: rust, fading, peeling, damage or issues related to neglect, abuse, accident, misuse, misapplication, improper assembly, transportation damages, commercial use or **ANY** modifications made to this product.

Repair labor is not covered. This warranty is the only warranty offered and is in lieu of all other warranties, whether expressed or implied, which includes implied warranty, merchandising or use for a particular purpose.

All replacement parts that meet the warranty requirements will be shipped at no charge via the discretion of the manufacturer (ground shipments, US Mail, UPS or FedEx). Any special handling charges (i.e. Second Day, overnight, etc.) will be the responsibility of the consumer.

All warranty claims apply only to the original purchaser and require a proof of purchase verifying the purchase date. Do not return parts without first obtaining a return authorization number from our customer service department.

Our customer service department can be reached at 1-800-321-3473 8:00 AM - 5:00 PM (EST), or Email CustomerService@landmann-usa.com

Please note for the United States, that some states do not allow the exclusion or limitation of incident or consequential damages or limitations on how long an implied warranty lasts, so the above limitations or exclusions may not apply to you. This warranty gives you specific legal rights and you may also have other legal rights which may vary from state to state.



Landmann USA, Inc.
7405 Graham Rd
Fairburn, Ga 30213

www.landmann.com/us