

This Owner's Manual is provided and hosted by [Appliance Factory Parts](#).



ROYAL SOVEREIGN RMF-70W Owner's Manual

[Shop genuine replacement parts for ROYAL
SOVEREIGN RMF-70W](#)



[Find Your ROYAL SOVEREIGN Refrigerator Parts - Select From 5 Models](#)

----- Manual continues below -----



Owner's Manual

RMF-70W

COMPACT REFRIGERATOR



Page en Français 15

*Please read and retain these instructions.
To register your product, please go to www.royalsovereign.com USA.
Click the Customer Support Tab then Registration Tab.*

www.royalsovereign.com

Royal Sovereign International, Inc.

COMPACT REFRIGERATOR

Model RMF-70W

INTRODUCTION

Thank you for choosing Royal Sovereign Compact Refrigerator, RMF-70W. This Compact Refrigerator can be set-up in just minutes and easily operated to keep food fresh and beverages cool. This manual will provide you information for operation, use, and maintenance. Please take a few moments to read the instructions thoroughly and always follow the precautions.

SAFETY PRECAUTIONS

Read all of the instructions before using this appliance. When using this appliance, always exercise basic safety precautions, including the following:

NOTE: If the refrigerator has been placed in a horizontal or tilted position for any period of time wait 24 hours before plugging the unit in.

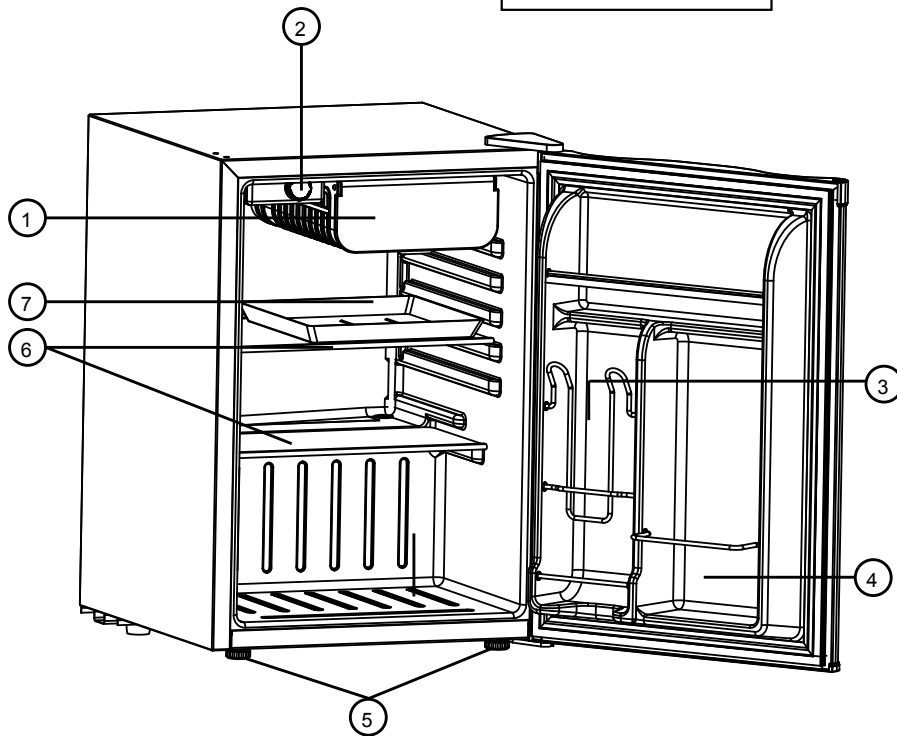
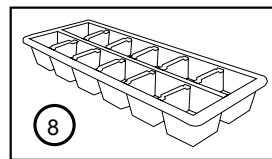
- 1) Use this appliance only for its intended purpose as described in this use and care guide.
- 2) This refrigerator must be properly installed in accordance with the installation instructions before it is used. See grounding instructions in the installation section.
- 3) Never unplug your refrigerator by pulling on the power cord. Always grasp the plug firmly and pull straight out from the outlet.
- 4) Repair or replace immediately, all electric service cords that have become frayed or otherwise damaged. Do not use a cord that shows cracks or abrasion damage along its length, the plug or the connector end.
- 5) Unplug your refrigerator before cleaning or before making any repairs.
NOTE: If for any reason this product requires service, we strongly recommend that a certified technician performs the service.
- 6) Do not use any electrical device or any sharp instrument in defrosting your refrigerator.
- 7) If your old refrigerator is not being used, we recommend that you remove the doors and leave the shelves in place. This will reduce the possibility of danger to children.
- 8) After your refrigerator is in operation, do not touch the cold surfaces in the freezer compartment, particularly when hands are damp or wet. Skin may adhere to these extremely cold surfaces.
- 9) Do not refreeze foods that have been thawed completely. The United States Department of Agriculture in Home and Garden Bulletin No. 69 reads: "...You may safely refreeze frozen foods that have thawed if they still contain ice crystals or if they are still cold-below 40°F. "...Thawed ground meats, poultry, or fish that have any off-odour or off-colour should not be refrozen and should not be eaten. Thawed ice cream should be discarded. If the odour or colour of any food is poor or questionable, discard it. The food may be dangerous to eat. "...Even partial thawing and re-freezing reduce the eating quality of foods, particularly fruits, vegetables, and prepared foods. The eating quality of red meats is affected less than that of many other foods. Use refrozen foods as soon as possible, to save as much of its eating quality as you can."
- 10) This refrigerator should not be recessed or built-in in an enclosed cabinet. It is designed for freestanding installation only.
- 11) Do not operate your refrigerator in the presence of explosive fumes.

CONTENTS

SAFETY PRECAUTIONS	3
PARTS	5
INSTALLING YOUR REFRIGERATOR	6
REFRIGERATOR FEATURES AND USE	8
PROPER REFRIGERATOR CARE AND CLEANING	10
TROUBLESHOOTING	12
SPECIFICATIONS	13
WARRANTY	14
CONTACT INFORMATION	14
PAGE EN FRANÇAIS	15

PARTS

1. Half-Width Freezer
2. Adjustable Temperature Control
3. "Dispense-A-Can"™ Storage
4. Accomodates 2 liter and tall bottles
5. Adjustable Front Leveling Legs
6. Removable Glass Shelves
7. Drip Tray
8. Ice Cube Tray





INSTALLING YOUR REFRIGERATOR

Unpacking Your Refrigerator

1. Remove all packaging material. This includes the foam base and all adhesive tape holding the refrigerator accessories inside and outside.
2. Inspect and remove any remains of packing, tape or printed materials before powering on the refrigerator.

Leveling Your Refrigerator

- Your refrigerator has two leveling legs which are located in the front bottom corners of your refrigerator. After properly placing your refrigerator in its final position, you can level your refrigerator.
- Leveling legs can be adjusted by turning them clockwise to raise your refrigerator or by turning them counterclockwise to lower your refrigerator. The refrigerator door will close easier when the leveling legs are extended.

Proper Air Circulation

- To ensure your refrigerator works at the maximum efficiency it was designed for, you should install it in a location where there is proper air circulation, plumbing and electrical connections.
- The following are recommended clearances around the refrigerator:
Sides..... 3/4" (19mm)
Top..... 2" (50mm)
Back..... 2" (50mm)

Electrical Requirement

- Make sure there is a suitable power outlet (115 volts, 15 amps outlet) with proper grounding to power the refrigerator.
- Avoid the use of three prong adapters or cutting off the third grounding prong in order to accommodate a two prong outlet. This is a dangerous practice since it provides no effective grounding for the refrigerator and may result in shock hazard.

Use of Extension Cords

- Avoid the use of an extension cord because of potential safety hazards under certain conditions. If it is necessary to use an extension cord, use only a 3-wire extension cord that has a 3-blade grounding plug and a 3-slot outlet that will accept the plug. The marked rating of the extension cord must be equal to or greater than the electrical rating of the appliance.

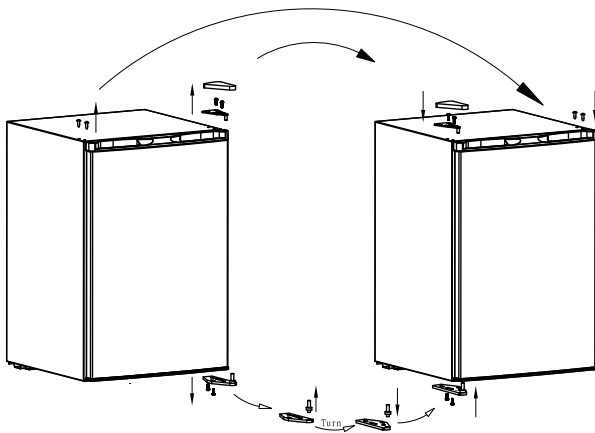
Installation Limitations

- Do not install your refrigerator in any location not properly insulated or heated, e.g. garage, etc. Your refrigerator was not designed to operate in temperature settings below 55° Fahrenheit.
- Select a suitable location for the refrigerator on a hard even surface away from direct sunlight or heat source, e.g. radiators, baseboard

heaters, cooking appliances, etc. Any floor unevenness should be corrected with the leveling legs located on the front bottom corners of the refrigerator.

Reversing the Door Hinge

1. Remove the top hinge cover.
2. Using Phillips Head Screwdriver, loosen and remove the screws holding the top hinge in place.
3. Remove top hinge and carefully lift off the door.
4. Remove the screw hole plugs from the opposite side and insert the plugs in the screw hole openings of the just removed screws.
5. Remove any loose items in the refrigerator and carefully turn refrigerator on its back and place in a secure area.
6. Loosen the screws holding the lower hinge bracket to the refrigerator and remove screws and bracket.
7. Remove (2) screws from the other side and insert in the previously removed screw holes.
8. Remove door pin by turning counter clockwise and reinsert to the underside of the bracket and tighten.
9. Align bracket and insert (2) remaining screws into the holes provided .
10. Align hole in the door with the door pin and washer and gently push down until firm.
11. Align upper hinge bracket with screw holes insert screws and partially secure, check that door and cabinet are properly aligned and then secure tightly.
12. Replace hinge cap.



NOTE: As the door gets pressed in during shipping, after reversing the door, the gasket may have to be reset. This is done to prevent the cool refrigerated air from escaping. If there is a gap between the door gasket and the cabinet, set the gasket by gently pulling it out to seal the gap.

Door Alignment

1. Remove the top hinge cover.
2. Loosen the top hinge screws using a phillips head screwdriver.
3. Adjust the door or put a spacer in between and then tighten the screws.
4. Replace the top hinge cover.

REFRIGERATOR FEATURES AND USE

General Features

Adjustable temperature dial:

Your refrigerator will automatically maintain the temperature level you select.

The temperature control dial has 7 settings plus "0". 1 is the warmest. 7 is the coldest. At first, set the dial to 4 and allow 24 hours to pass before adjusting the temperature to your needs.

Note: If the refrigerator has been placed in a horizontal or tilted position for any period of time wait 24 hours before plugging the unit in.

Freezer Compartment / Use of the Ice Cube Tray

This compartment is designed for making ice cubes and for short-term food storage (a few days at most).

WARNING: This compartment is not cold enough to freeze foods safely for more than 5 days.

- If ice cube tray freezes to the bottom of the compartment, pour a little warm water around it to loosen it. Do not use boiling water, which can damage plastic parts, or sharp metal objects such as a knife or screwdriver, which can damage the cooling system tubing. Wash the ice cube tray in lukewarm water only. Do not wash in the dishwasher.

Refrigerator Interior Shelves

To remove or replace a full-width slide-out shelf:

(see fig. # 1)

1. Gently tilt the shelf up and slide forward until the shelf has been completely removed.
2. To replace the shelf, gently slide the shelf back.

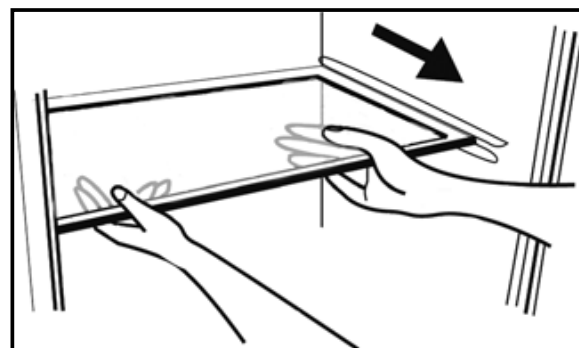


fig. 1

RMF-70W

Using the Dispense-A-Can™

- Your refrigerator is equipped with the convenient “Dispense-A-Can™” compartment. The compartment will hold up to five cans. Simply load the cans from the top. To dispense a can, simply draw one out from the bottom. It is that easy.

Food Storage Information

Fresh Food

- When storing fresh food that is not prepackaged, be sure to wrap or store food in airtight and moisture proof material unless otherwise noted. This will ensure proper shelf life and prevent the transfer of odors and tastes.
- Wipe containers before storing to avoid needless spills.
- Eggs should be stored in an upright position in their original carton to maximize shelf life.
- Fruit should be washed and dried, then stored in sealed plastic bags before storing in the refrigerator.
- Vegetables with skins should be stored in plastic bags or containers.
- Leafy vegetables should be washed and drained and then stored in plastic bags or containers.
- Hot food should be allowed to cool before storing in the refrigeration. This will prevent unnecessary energy use.
- Fresh seafood should be used the same day as purchased.
- When storing meats in the fresh food section, keep in the original packaging or rewrap as necessary. Follow the suggestions below for safe storage:
 - Chicken 1-2 Days
 - Ground Beef 1-2 Days
 - Cold Cuts 3-5 Days
 - Steaks/Roasts 3-5 Days
 - Smoked/Cured Meats 7-10 Days
 - All others 1-2 Days

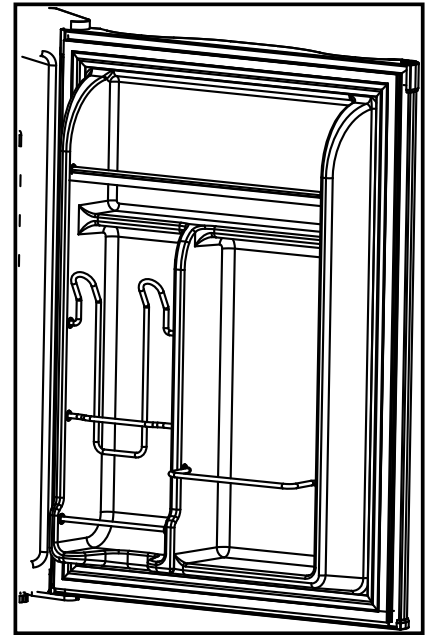


fig. 2

Normal Operating Sounds You May Hear

- Boiling water, gurgling sounds or slight vibrations that are the result of the refrigerant circulating through the cooling coils.
- The thermostat control will click when it cycles on and off.

PROPER REFRIGERATOR CARE AND CLEANING

Cleaning and Maintenance

Warning: To avoid electric shock, always unplug your refrigerator before cleaning. Ignoring this warning may result in death or injury.

Caution: Before using cleaning products, always read and follow manufacturer's instructions and warnings to avoid personal injury or product damage.

General: Prepare a cleaning solution of 3-4 tablespoons of baking soda mixed with warm water. Use sponge or soft cloth, dampened with the cleaning solution, to wipe down your refrigerator.

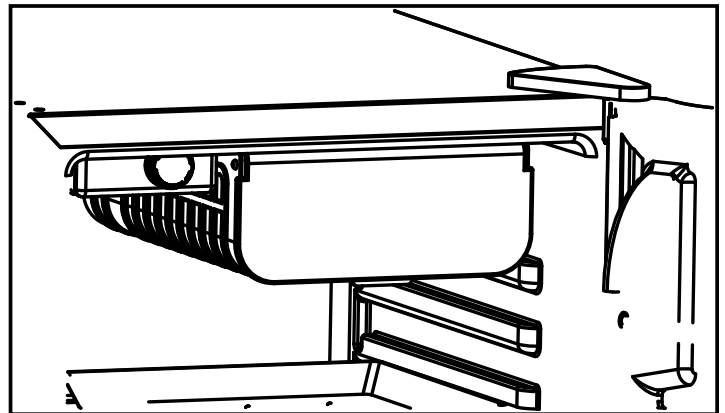
- Rinse with clean warm water and dry with a soft cloth.
- Do not use harsh chemicals, abrasives, ammonia, chlorine bleach, concentrated detergents, solvents or metal scouring pads. Some of these chemicals may dissolve, damage and/ or discolor your refrigerator.

Door Gaskets: Clean door gaskets every three months according to general instructions. Gaskets must be kept clean and pliable to assure a proper seal.

- Petroleum jelly applied lightly on the hinge side of gaskets will keep the gasket pliable and ensure a good seal.

Defrosting

Defrost whenever frost on the wall of the freezer compartment becomes 1/8" thick. Never use a sharp or metallic instrument to remove frost as it may damage the cooling coils. (A punctured cooling coil will cause serious damage to the product and will void the warranty). We recommend using a plastic scraper. To defrost, remove foods and ice cube tray from the freezer compartment. Make sure the drip tray is in place and unplug the unit. Defrosting usually takes a few hours. To defrost faster, keep the door open and place a bowl of warm water in the refrigerator. After defrosting, empty water from the drip tray and wash the drip tray in warm water.



Power Interruptions

- Occasionally there may be power interruptions due to thunderstorms or other causes. Remove the power cord from AC outlet when a power outage occurs. When power has been restored, replug power cord to AC outlet. If outage is for a prolonged period, inspect and discard spoiled or thawed food in

Vacation and Moving Care

- For long vacations or absences, empty food from refrigerator and freezer, move the temperature dial to the "0" position and clean the refrigerator and door gaskets according to "General Cleaning" section. Prop doors open, so air can circulate inside. When moving, always move the refrigerator vertically. Do not move with the unit lying down. Possible damage to the sealed system could occur.

Energy Saving Tips

- The refrigerator should be located in the coolest area of the room, away from heat-producing appliances or heating ducts, and out of direct sunlight.
- Let hot foods cool to room temperature before placing in the refrigerator. Overloading the refrigerator forces the compressor to run longer and thus increases energy consumption. Foods that refrigerate too slowly may lose quality or spoil.
- Be sure to wrap foods properly, and wipe containers dry before placing in the refrigerator.
- The wire shelves should not be lined with aluminum foil, wax paper, or paper towels. Liners interfere with cold air circulation, making the refrigerator less efficient.
- Organize food to reduce door openings and extended searches. Remove as many items as needed at one time, and close the door as soon as possible.

TROUBLESHOOTING

Refrigerator does not operate:

- Check if thermostat control is not in the “OFF” position.
- Check if refrigerator is plugged in.
- Check if there is power at the AC outlet, by checking the circuit breaker.

Food temperature appears too warm:

- Frequent door openings.
- Allow time for recently added warm food to reach fresh food temperature.
- Check gaskets for proper seal.
- Adjust temperature control to colder setting.

Food temperature is too cold:

- If temperature control setting is too cold, adjust to a warmer setting and allow several hours for temperature to adjust.

Refrigerator runs too frequently:

- This may be normal to maintain constant temperature during high temperature and humid days.
- Doors may have been opened frequently or for an extended period of time.
- Check gasket for proper seal.
- Check to see if doors are completely closed.

Moisture build up on interior or exterior of the refrigerator:

- This is normal during high humidity periods.
- Prolonged or frequent door openings.
- Check door gaskets for proper seal.

Refrigerator has an odor:

- Interior needs cleaning.
- Foods improperly wrapped or sealed are giving off odors.

Refrigerator door does not shut properly:

- Level the refrigerator.
- Re-align refrigerator door.
- Check for blockages, e.g. food containers, crisper cover, shelves, bins, etc.

Popping or cracking sound when the compressor comes on:

- Check to ensure the refrigerator is level.
- The floor may be uneven or weak. The refrigerator rocks on the floor when it is moved slightly. Be sure the floor can adequately support the refrigerator. Level the refrigerator by putting wood or metal shims under part of the refrigerator.
- The refrigerator is touching the wall. Re-level the refrigerator and move it from the wall. See the “Installing Your Refrigerator” section.

SPECIFICATIONS

Model Name	RMF-70W
Energy Consumption	300kWh / year
Voltage	115V / 60Hz
Unit Dimensions(H × W × D)	650 × 445 × 490mm
Shelves	2
Capacity	74L, 2.6 Cu. Ft.
Unit Weight	41.9lbs, 19Kg



LIMITED 18 MONTHS WARRANTY

This warranty applies to repair or replacement of product found to be defective in material or workmanship for 18 months from the date of the original purchase. This warranty is extended only to the original purchaser.

This warranty does not apply to damage resulting from abuse, misuse, or improper maintenance of damage that is attributable to acts of nature. Royal Sovereign International, Inc. (and its affiliated companies) is not liable for incidental or consequential damages of any nature. This limitation would not apply if you live in those areas that do not permit the exclusion or limitation of incidental or consequential damages.

Defective products for warranty repair or replacement cannot be returned without a Return Authorization number. Please go to www.royalsovereign.com USA-Customer Support Tab to make a request for an Office Product Return Authorization.

Defective products must be returned to Royal Sovereign International Consumer Return Department, freight prepaid, with proof of purchase and Return Shipping and Handling payment (check or money order). Upon repair or replacement the product will be returned to the customer.

Return defective product to the following address with a detailed description of the problem. If possible, pack in original carton. Please prepay shipping charges.

For out of warranty service or frequently asked questions please go to www.royalsovereign.com USA- Customer Support Tab.

For sales of product, parts or accessories please visit us at www.royalfulfillmentcorp.com.

For service or sales please contact your local Royal Sovereign Office:

ROYAL SOVEREIGN INTERNATIONAL, INC.

2 Volvo Drive Rockleigh, NJ 07647 USA

TEL : +1) 800-397-1025 FAX : +1) 201-750-1022

RS CANADA INC.

1025 Westport Crescent, Mississauga On L5T 1E8 CANADA

TEL : +1) 905-461-1095 TF # : +1) 866-961-6673

FAX : +1) 905-461-1096

www.royalsovereign.com



Guide de l'utilisateur

RMF-70W

RÉFRIGÉRATEUR COMPACT



Page en français 15

*Veillez lire et conserver ces directives.
Pour enregistrer votre produit, veuillez accéder au www.royalsovereign.com USA.
Cliquez sur l'onglet Customer Support (service à la clientèle),
puis sur l'onglet Registration (enregistrement).*

www.royalsovereign.com

Royal Sovereign International, Inc.

RÉFRIGÉRATEUR COMPACT

Modèle RMF-70W

INTRODUCTION

Merci d'avoir choisi le réfrigérateur compact RMF-70W de Royal Sovereign. Ce réfrigérateur compact et d'utilisation aisée se règle en seulement quelques minutes pour conserver la fraîcheur des aliments et des boissons. Ce manuel contient des renseignements sur le fonctionnement, l'utilisation et l'entretien. Veuillez consacrer quelques instants à la lecture attentive des directives et toujours prendre les précautions indiquées.

CONSIGNES DE SÉCURITÉ

Lisez toutes les directives avant d'utiliser cet appareil. Lors de l'utilisation de cet appareil, employez toujours les précautions élémentaires concernant la sécurité, dont les suivantes :

REMARQUE : Si le réfrigérateur a été placé à l'horizontale ou incliné durant un certain temps, attendez 24 heures avant de le brancher.

- 1) N'utilisez cet appareil qu'aux fins prévues, tel qu'il est indiqué dans le présent guide d'utilisation et d'entretien.
- 2) Ce réfrigérateur doit être installé de façon appropriée conformément aux directives d'installation avant d'être utilisé. Reportez-vous aux directives de mise à la terre de la section de l'installation.
- 3) Ne débranchez jamais le réfrigérateur en tirant le cordon d'alimentation. Saisissez toujours la fiche fermement et retirez-la perpendiculairement à la prise.
- 4) Réparez ou remplacez immédiatement tout cordon d'alimentation électrique éraillé ou autrement endommagé. N'utilisez pas un cordon dont la gaine, la fiche ou l'extrémité de connexion affiche des signes de fendillement.
- 5) Débranchez le réfrigérateur avant de le nettoyer ou avant d'en effectuer la réparation.

REMARQUE : Si une réparation de l'appareil s'avérait nécessaire, nous recommandons fortement qu'un technicien agréé effectue le service. N'utilisez aucun dispositif électrique ni instrument tranchant pour dégivrer votre réfrigérateur.

- 7) Si votre ancien réfrigérateur est inutilisé, nous recommandons d'en retirer les portillons et d'y laisser en place les tablettes. Cela réduira les risques posés aux enfants.
- 8) Après que le réfrigérateur est en fonction, ne touchez pas les surfaces froides dans le compartiment de congélation, particulièrement si vos mains sont moites ou trempées.
La peau peut adhérer à ces surfaces extrêmement froides.
- 9) Ne congelez pas les aliments qui ont été complètement décongelés. Le bulletin du foyer et du jardin n° 69 du département de l'agriculture des États-Unis énonce que les aliments décongelés peuvent être de nouveau congelés s'ils contiennent toujours des cristaux de glace ou si leur température se situe sous 4,4 °C.

Il y est ajouté que la viande, la volaille ou le poisson dégageant une odeur ou une couleur inhabituelle ne doit pas être congelé de nouveau ni mangé. La crème glacée fondue doit être jetée. Tout aliment affichant une odeur ou une couleur médiocre ou suspecte doit être jeté. La consommation de cette nourriture peut s'avérer dangereuse.

Le bulletin indique également que même une décongélation partielle suivie d'une seconde congélation réduit la qualité nutritive des aliments, particulièrement celle des fruits, des légumes et des mets préparés. La qualité nutritive des viandes rouges est moins affectée que celle de beaucoup d'autres aliments. Il y est conseillé de consommer le plus tôt possible les aliments congelés une seconde fois, afin d'en retirer le plus de qualité nutritive possible.

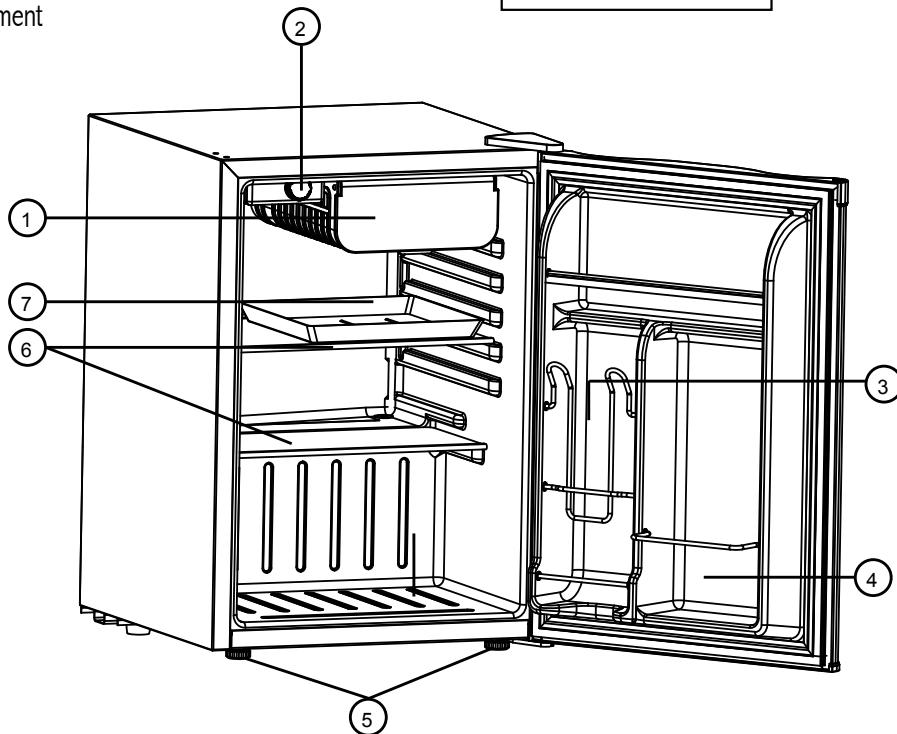
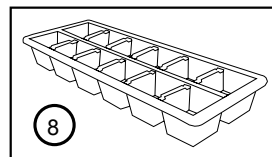
- 10) Ce réfrigérateur ne doit pas être encastré ni emboîté dans un coffret fermé. Il est conçu en vue d'une installation autoportante seulement.
- 11) Ne faites pas fonctionner le réfrigérateur en présence de vapeurs explosives.

TABLE DES MATIÈRES

CONSIGNES DE SÉCURITÉ	17
PIÈCES	19
INSTALLATION DU RÉFRIGÉRATEUR	20
CARACTÉRISTIQUES ET UTILISATION DU RÉFRIGÉRATEUR	22
ENTRETIEN ET NETTOYAGE APPROPRIÉS DU RÉFRIGÉRATEUR	24
DÉPANNAGE	26
FICHE TECHNIQUE	27
GARANTIE	28
COORDONNÉES DE COMMUNICATION	28
PAGE EN FRANÇAIS	15

PIÈCES

1. Congélateur demi-largeur
2. Commande de réglage de la température
3. Rangement « Dispense-A-CanMC »
4. Adapté aux contenants de 2 litres et aux bouteilles de grande dimension
5. Pattes de nivellement avant réglables
6. Tablettes amovibles en verre
7. Plateau d'égouttement
8. Plateau à glaçons



INSTALLATION DU RÉFRIGÉRATEUR

Déballage du réfrigérateur

1. Retirez tout le matériel d'emballage. Cela comprend la base en mousse et tout le ruban adhésif fixant les accessoires à l'extérieur et à l'intérieur du réfrigérateur.
2. Inspectez et retirez tout résidu d'emballage, de ruban ou de matériel imprimé avant de mettre le réfrigérateur sous tension.

Nivellement du réfrigérateur

- Votre réfrigérateur est doté de deux pattes de nivellement situées sous les coins avant de l'appareil. Après que le réfrigérateur est placé dans position définitive, l'appareil peut être nivelé.
- Le réglage des pattes de nivellement s'effectue en les tournant dans le sens horaire pour élever le réfrigérateur ou dans le sens contraire pour l'abaisser. Le portillon du réfrigérateur se referme plus facilement lorsque les pattes de nivellement sont prolongées.

Aération appropriée

- Pour que votre réfrigérateur fonctionne au maximum de l'efficacité pour laquelle il a été conçu, il doit être installé dans un endroit bénéficiant d'une bonne circulation d'air, d'une bonne plomberie et de bonnes connexions électriques.
- Les écarts suivants sont recommandés autour du réfrigérateur :
 - Côtés 3/4 po (19 mm)
 - Dessus 2 po (50 mm)
 - Dos 2 po (50 mm)

Alimentation électrique requise

- Veillez à alimenter le réfrigérateur depuis une prise de courant appropriée (115 volts, 15 ampères) bien mise à la terre.
- Évitez d'utiliser des adaptateurs à trois broches ou de sectionner la broche de mise à la terre dans le but d'adapter une prise à deux broches. Cette pratique est dangereuse, car elle prive le réfrigérateur d'une mise à la terre efficace et peut créer un risque de choc électrique.

Utilisation de cordons prolongateurs

- Évitez d'utiliser un cordon prolongateur, en raison des dangers potentiels lors de situations particulières. Si un cordon prolongateur doit être utilisé, ne recourez qu'à un cordon à trois conducteurs doté d'une fiche à trois broches mise à la terre et à une prise à trois fentes adaptée à la fiche. Les caractéristiques électriques nominales indiquées sur le cordon prolongateur doivent équivaloir à celles de l'appareil ou les dépasser.

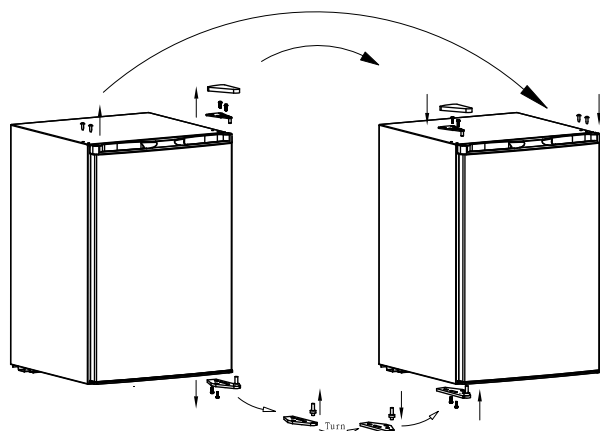
Restrictions d'installation

- N'installez pas le réfrigérateur dans un endroit mal isolé ou mal chauffé, p. ex., un garage, etc. Cet appareil n'a pas été conçu pour fonctionner à des températures inférieures à 13 °Celsius.

- Choisissez un endroit approprié au réfrigérateur avec une surface ferme et régulière à l'abri des rayons directs du soleil ou des sources de chaleur, p. ex., radiateurs, plinthes chauffantes, appareils de cuisson, etc. Toute irrégularité du sol devrait être compensée à l'aide des pattes de nivellement situées sous les coins inférieurs avant du réfrigérateur.

Inversement des charnières de portillon

1. Retirez le couvercle de la charnière supérieure.
2. À l'aide d'un tournevis à pointe cruciforme, desserrez et retirez les vis fixant la charnière supérieure.
3. Retirez la charnière supérieure et dégagez le portillon en le soulevant.
4. Retirez les bouchons d'orifice de vis du côté opposé et introduisez les bouchons dans les orifices de vis des vis tout juste retirées.
5. Retirez et rangez tout objet non fixe que contient le réfrigérateur et posez l'appareil avec précaution sur son dos.
6. Desserrez les vis fixant le support de la charnière inférieure au réfrigérateur, puis retirez les vis et le support.
7. Retirez deux vis de l'autre côté et introduisez-les dans les orifices des vis préalablement retirées.
8. Retirez le gond en le tournant dans le sens antihoraire, puis réintroduisez-le sous le support et resserrez-le.
9. Alignez le support et introduisez les deux vis restantes dans les orifices à cette fin.
10. Alignez l'orifice du portillon sur le gond et la rondelle, puis enfoncez-le doucement pour l'appuyer.
11. Alignez le support de la charnière supérieure sur les orifices de vis, puis introduisez et fixez partiellement les vis; vérifiez que le portillon et le boîtier sont correctement alignés, puis resserrez les vis.
12. Réinstallez le couvre-charnière.



REMARQUE : La pression exercée sur le portillon durant le transport peut faire en sorte que le joint doive être remplacé après l'inversion du portillon. Cela permet d'éviter les fuites de l'air réfrigéré. S'il y a un écart entre le joint du portillon et le boîtier, remplacez le joint en le retirant doucement pour combler l'écart.

Alignement du portillon

1. Retirez le couvercle de la charnière supérieure.
2. Desserrez les vis de la charnière supérieure à l'aide d'un tournevis à pointe cruciforme.
3. Ajustez le portillon ou interposez un espaceur puis resserrez les vis.
4. Réinstallez le couvercle de la charnière supérieure.

CARACTÉRISTIQUES ET UTILISATION DU RÉFRIGÉRATEUR

Caractéristiques générales

Bouton de réglage de la température :

Votre réfrigérateur conservera automatiquement la température que vous choisissez.

Le bouton de réglage de la température comporte 7 réglages plus « 0 ». Le réglage 1 est le moins froid. Le réglage 7 est le plus froid. Réglez d'abord le bouton à 4 et attendez 24 heures avant de régler de nouveau la température selon le besoin.

Remarque : Si le réfrigérateur a été placé à l'horizontale ou incliné durant un certain temps, attendez 24 heures avant de brancher l'appareil.

Compartment congélateur/Utilisation du plateau à glaçons

Ce compartiment est conçu pour produire des glaçons et conserver temporairement les aliments (quelques jours tout au plus).

AVERTISSEMENT : Ce compartiment ne permet pas de congeler de façon sécuritaire des aliments pendant plus de cinq jours.

- Si le gel coince le plateau à glaçons au fond du compartiment, versez-y un peu d'eau chaude pour le dégager. N'utilisez pas d'eau bouillante, qui peut endommager les composantes en plastique, ni d'objets métalliques pointus tels qu'un couteau ou un tournevis, qui peuvent abîmer la tuyauterie du refroidisseur. Lavez le plateau à glaçons à l'eau tiède seulement. Ne le lavez pas au lave-vaisselle.

Tablettes internes du réfrigérateur

Pour retirer ou remplacer une tablette coulissante pleine largeur :

(voir la fig. # 1)

1. Inclinez doucement la tablette vers le haut et glissez-la vers l'avant jusqu'à ce qu'elle soit complètement dégagée.
2. Pour replacer la tablette, réintroduisez-la en la glissant doucement en place.

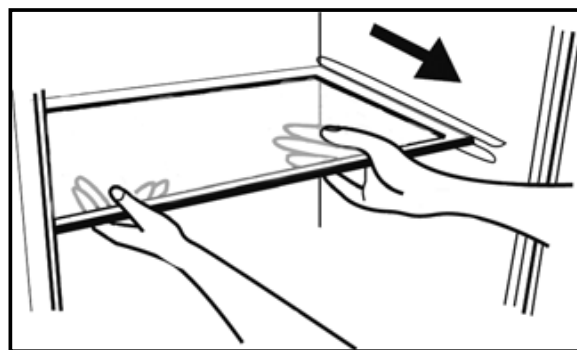


fig. 1

Utilisation du distributeur Dispense-A-CanMC

- Votre réfrigérateur est muni d'un compartiment « Dispense-A-CanMC » pratique. Ce compartiment peut contenir jusqu'à cinq canettes. Rangez simplement les canettes depuis le haut. La distribution s'effectue par retrait d'une canette de la partie inférieure. C'est simple comme tout.

Informations sur le rangement des aliments

Aliments frais

- Pour ranger des aliments qui ne sont pas préemballés, veillez à les envelopper ou les conserver dans du matériel étanche à l'air et à l'humidité, à moins d'indications contraires. Cela permettra de bien les conserver et de prévenir le transfert des odeurs et des saveurs.
- Essuyez les contenants avant le rangement pour éviter les déversements.
- Les œufs doivent être rangés à la verticale dans leurs contenants d'origine pour maximiser la conservation.
- Les fruits doivent être lavés et séchés, puis placés dans des sacs en plastique avant d'être rangés au réfrigérateur.
- Les légumes à pelure doivent être rangés dans des sacs ou des contenants en plastique.
- Les légumes à feuille doivent être lavés et essorés, puis rangés dans des sacs ou des contenants en plastique.
- Les aliments chauds doivent être refroidis avant d'être rangés au réfrigérateur. Cela permet d'éviter la consommation superflue d'énergie.
- Les fruits de mer frais doivent être consommés le jour même de leur achat.
- Conservez les viandes à ranger dans la section des aliments frais dans leur emballage d'origine ou réemballez-les selon le besoin. Suivez les consignes de rangement sécuritaire ci-dessous :
 - Poulet 1 à 2 jours
 - Bœuf haché 1 à 2 jours
 - Viandes froides 3 à 5 jours
 - Steaks/Rôtis 3 à 5 jours
 - Viandes fumées/salaisonnées 7 à 10 jours
 - Tout autre aliment 1 à 2 jours

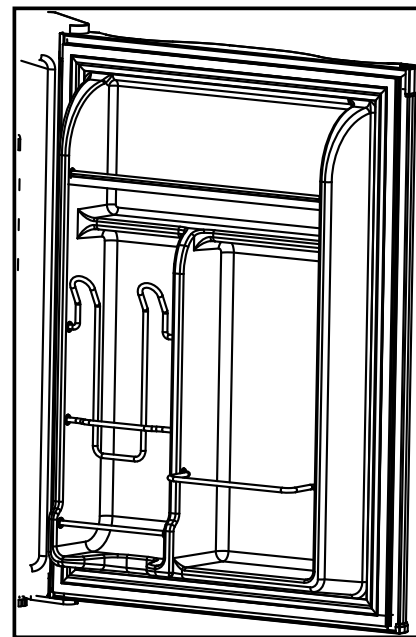


fig. 2

Sonorités perceptibles de fonctionnement normal

- Eau en ébullition, gargouillements ou légères vibrations résultant de la circulation du frigorigène dans les serpentins refroidisseurs.
- Le thermostat émettra un cliquetis lors de la mise en fonction et hors fonction.

ENTRETIEN ET NETTOYAGE APPROPRIÉS DU RÉFRIGÉRATEUR

Nettoyage et maintenance

Avertissement : Pour éviter les chocs électriques, débranchez toujours votre réfrigérateur avant le nettoyage. Ignorer cet avertissement peut causer la mort ou des blessures.

Attention : Avant d'utiliser des produits nettoyants, lisez et respectez toujours les directives et les avertissements du fabricant pour éviter les blessures corporelles ou les dommages à l'appareil.

Généralités : Préparez une solution nettoyante en mélangeant 3 à 4 cuillères à soupe de bicarbonate de soude avec de l'eau tiède. Utilisez une éponge ou un linge doux imbibé de la solution nettoyante pour essuyer le réfrigérateur.

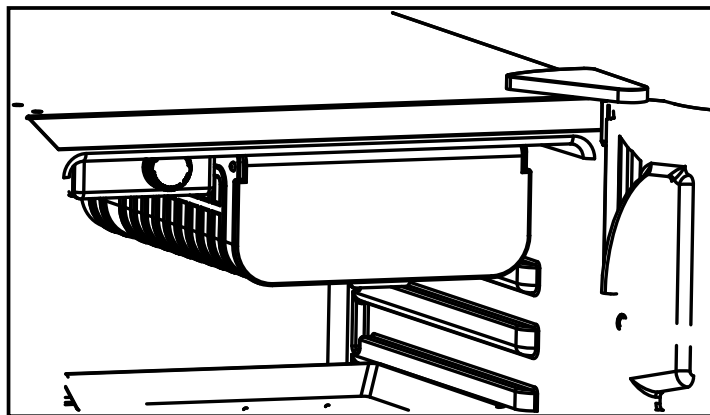
- Rincez à l'eau propre et tiède, puis asséchez à l'aide d'un linge doux.
- N'utilisez pas de produits chimiques puissants, d'abrasifs, d'ammoniaque, de produits à lessive au chlore, de détergents concentrés, de solvants ou de tampons à récurer métalliques. Certains de ces produits chimiques peuvent dissoudre et endommager le réfrigérateur, et (ou) en altérer la couleur.

Joints du portillon : Nettoyez les joints de portillon tous les trois mois conformément aux directives générales. Les joints doivent conserver leur propreté et leur souplesse pour procurer un scellement approprié.

- Appliquer du pétrolatum sur le côté charnière des joints permettra d'en préserver la souplesse et de favoriser l'étanchéité.

Dégivrage

Effectuez le dégivrage dès que la glace accumulée sur la paroi du congélateur atteint l'épaisseur de 1/8 pouce. N'utilisez jamais un instrument pointu ou métallique pour déloger la glace afin d'éviter d'endommager les serpentins refroidisseurs. (La ponction d'un serpentin refroidisseur endommagera gravement l'appareil et annulera la garantie). Nous recommandons l'usage d'un racloir en plastique. Pour le dégivrage, retirez les aliments et le plateau à glaçons du compartiment congélateur. Veillez à maintenir en place le plateau d'égouttement et à débrancher l'appareil. Le dégivrage s'effectue normalement en quelques heures. Pour accélérer le dégivrage, laissez le portillon ouvert et déposez un bol d'eau chaude dans le réfrigérateur. Après le dégivrage, videz l'eau s'étant accumulée dans le plateau d'égouttement et lavez le plateau à l'eau juste chaude.



Coupures de l'alimentation

- Il peut se produire à l'occasion des coupures de l'alimentation dues aux orages et à d'autres situations. Retirez le cordon d'alimentation de la prise c.a. lorsqu'une panne de courant survient. Lorsque l'alimentation est rétablie, rebranchez le cordon d'alimentation dans la prise. Si la panne d'alimentation se prolonge, inspectez les aliments et jetez la nourriture gâtée ou décongelée dans

Préparation en vue des vacances et des déménagements

- Pour les vacances ou les absences prolongées, retirez les aliments du réfrigérateur et du congélateur, placez le bouton de réglage de la température à « 0 » et nettoyez le réfrigérateur de même que les joints de portillon en suivant les directives de la section « Généralités ». Entraquez les portillons de sorte que l'air puisse circuler à l'intérieur. Lors d'un déménagement, déplacez toujours le réfrigérateur à la verticale. Ne transportez pas l'appareil en position horizontale. Le système scellé pourrait subir des dommages.

Astuces pour conserver l'énergie

- Le réfrigérateur devrait se situer dans la zone la plus fraîche de la pièce, à l'écart des appareils chauffants ou des conduits d'air chaud, et à l'abri de l'ensoleillement direct.
- Laissez refroidir les aliments chauds à température ambiante avant de les ranger au réfrigérateur. La surcharge du réfrigérateur entraîne un fonctionnement prolongé du compresseur et accroît ainsi la consommation énergétique. Les aliments dont la réfrigération est retardée peuvent se dégrader ou se gâter.
- Veillez à bien envelopper les aliments et à essuyer les contenants avant leur rangement au réfrigérateur.
- Les tablettes grillagées ne devraient pas être recouvertes de papier d'aluminium, de papier ciré ou d'essuie-tout. Le revêtement entrave la circulation d'air froid, ce qui compromet l'efficacité du réfrigérateur.
- Disposez les aliments de sorte à réduire le nombre d'ouvertures et de recherches prolongées. Prenez le plus d'articles requis à la fois et refermez le portillon le plus tôt possible.

DÉPANNAGE

Le réfrigérateur ne fonctionne pas :

- Vérifier que la commande thermostatique n'est pas à la position « OFF ».
- Vérifier que le réfrigérateur est branché.
- S'assurer que la prise c.a. est alimentée en vérifiant le disjoncteur.

La température des aliments semble trop élevée :

- Ouvertures fréquentes du portillon.
- Permettre aux aliments chauds récemment ajoutés d'atteindre la température de la nourriture fraîche.
- Vérifier que les joints sont bien étanches.
- Régler la commande de la température à un niveau plus froid.

La température des aliments est trop basse :

- Si le réglage dicte une température trop basse, choisir un réglage plus élevé et prévoir quelques heures d'adaptation de la température.

Le réfrigérateur s'active trop fréquemment :

- Cela peut s'avérer normalement nécessaire au maintien d'une température constante durant les périodes de chaleur et d'humidité élevées.
- Il est possible que les portillons aient été ouverts fréquemment ou pendant de longues périodes.
- Vérifier que le joint est bien étanche.
- Vérifier que les portillons sont complètement fermés.

Condensation à l'intérieur ou à l'extérieur du réfrigérateur :

- Cela est normal durant les périodes d'humidité élevée.
- Ouvertures prolongées ou fréquentes des portillons.
- Vérifier que les joints de portillon sont bien étanches.

Une odeur se dégage du réfrigérateur :

- Un nettoyage intérieur s'impose.
- Il se dégage des odeurs des aliments incorrectement enveloppés ou scellés.

Le portillon du réfrigérateur ne s'ouvre pas correctement :

- Nivelier le réfrigérateur.
- Réaligner le portillon du réfrigérateur.
- Vérifier la présence d'obstacles, p. ex., contenants de nourriture, couvre-bacs à légumes, tablettes, cageots, etc.

Bruit sec ou craquement lors du démarrage du compresseur :

- Vérifier que le réfrigérateur est à niveau.
- Il est possible que le sol soit inégal ou affaibli. Le réfrigérateur se balance sur le sol lorsqu'il est légèrement déplacé. Veiller à ce que le sol puisse adéquatement soutenir le réfrigérateur. Nivelier le réfrigérateur en logeant des cales en bois ou en métal sous une partie du réfrigérateur.
- Le réfrigérateur est en contact avec un mur. Nivelier de nouveau le réfrigérateur et l'écartier du mur. Voir la section « Installation du réfrigérateur ».

FICHE TECHNIQUE

Nom du modèle	RMF-70W
Consommation énergétique	300 kWh/an
Tension	115 V/60 Hz
Dimensions de l'appareil (H × L × P)	650 × 445 × 490 mm
Tablettes	2
Volume	74 L, 2,6 pi ²
Poids de l'appareil	41,9 lb, 19 kg



GARANTIE LIMITÉE DE 18 MOIS

Cette garantie prévoit la réparation ou le remplacement d'un produit comportant un vice matériel ou de fabrication pendant 18 mois à partir de la date de l'achat initial. Cette garantie est offerte uniquement à l'acheteur d'origine.

Cette garantie ne couvre pas les dommages causés par l'abus, le mésusage, l'entretien inapproprié ou les dommages attribuables aux calamités naturelles. Royal Sovereign International, Inc. (et ses filiales) n'accepte aucune responsabilité pour les dommages consécutifs ou indirects, quelle que soit leur nature. Cette restriction ne s'applique pas si vous résidez dans un endroit qui ne permet pas l'exclusion ou la restriction des dommages consécutifs ou indirects.

Les produits défectueux couverts par la garantie en vue de la réparation ou du remplacement ne peuvent pas être retournés sans un numéro d'autorisation de retour. Veuillez accéder au www.royalsovereign.com, USA, onglet Customer Support, pour présenter une demande d'autorisation de retour d'article de bureau (Office Product Return Authorization).

Les produits défectueux doivent être expédiés au service à la clientèle de Royal Sovereign International, port payé, et accompagnés d'une preuve d'achat et du paiement des frais de port et de manutention pour le retour (chèque ou mandat postal). Suivant la réparation ou le remplacement, le produit sera retourné au client.

Retournez le produit défectueux à l'adresse ci-dessous, accompagné d'une explication détaillée du problème. Lorsque cela est possible, retournez le produit dans son emballage d'origine. Veuillez payer les frais d'expédition à l'avance.

Pour un service non couvert par la garantie et pour consulter une foire aux questions, veuillez accéder au www.royalsovereign.com, USA, onglet Customer Support.

Pour la vente de produits, de pièces et d'accessoires, veuillez accéder au www.royalfulfillmentcorp.com.

Pour le service ou les ventes, veuillez communiquer avec votre bureau local de Royal Sovereign :

ROYAL SOVEREIGN INTERNATIONAL, INC.

2 Volvo Drive Rockleigh, NJ 07647 États-Unis,
TÉL. : 1-800-397-1025 TÉLÉC. : 1-201-750-1022

RS CANADA INC.

1025 Westport Crescent, Mississauga (Ontario) L5T 1E8 CANADA
TÉL. : 1-905-461-1095 N° TÉLÉC. : 1-866-961-6673
TÉLÉC. : 1-905-461-1096

www.royalsovereign.com