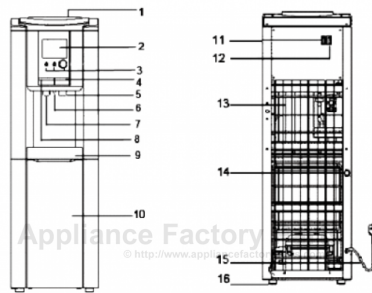


This Owner's Manual is provided and hosted by [Appliance Factory Parts](http://www.appliancefactoryparts.com).



ROYAL SOVEREIGN RWD-500W Owner's Manual

[Shop genuine replacement parts for ROYAL SOVEREIGN RWD-500W](#)



- | | | | |
|---|--|----|------------------------------|
| 1 | Water Intake | 9 | Drip Tray |
| 2 | Electronic LED Display | 10 | Storage Compartment |
| 3 | Control Panel | 11 | Cooling Power Switch (Green) |
| 4 | Cold Water Faucet | 12 | Heating Power Switch (Red) |
| 5 | Cold Water Outlet | 13 | Condenser |
| 6 | Nite-Light | 14 | Hot Water Drain Valve |
| 7 | Hot Water Outlet | 15 | Power Cord |
| 8 | Hot Water Faucet (with Child Safety Guard) | 16 | Leveling Legs |

[Find Your ROYAL SOVEREIGN Water Dispenser Parts - Select From 5 Models](#)

----- Manual continues below -----



Owner's Manual



RWD-500W

**HIGH EFFICIENCY
WATER DISPENSER**

*Please read and retain these instructions.
To register your product, please go to www.royalsovereign.ca*

www.royalsovereign.ca

Royal Sovereign International, Inc.

COUNTER TOP WATER DISPENSER

Model RWD-500W

Because our products are subject to continuous improvement, RS Canada reserves the right to modify product design and specifications without notice and without incurring any obligation. E&OE

IMPORTANT SAFETY INSTRUCTIONS

Warning: Please read all of the instructions before use

To reduce the risk of fire, electrical shock, or injury when using your water dispenser, follow these basic precautions:

- WARNING -

- Read all instructions before using the water dispenser.
- Never clean parts with flammable fluids. The fumes can create a fire hazard or explosion.
- Do not store or use gasoline or any other flammable vapors and liquids in the vicinity of this or any other water dispenser. The fumes can create a fire hazard or explosion.

-Save these instructions-

Operating Safety

- Only plug in water cooler after reading the (Installation Guidelines and Initial Setup)
- Before connecting the appliance to the power source, let it stand upright for approximately 2 hours. This will reduce the possibility of a malfunction in the cooling system from handling during transportation
- Use only 3 or 5 gallon water bottles
- Keep gasoline or any other flammable vapors and liquids away from the water cooler
- Clean up any spills that may occur
- This water cooler dispenses hot water at a temperature range of 88°C to 95°C (190°F to 203°F) which could cause bodily harm, so be careful when using the hot water
- Supervise children when using, please refer to safety features

Electrical Safety

- This appliance should be properly grounded for your safety. The power cord of this appliance is equipped with a three-prong plug which mates with standard three prong wall outlets to minimize the possibility of electrical shock
- Plug the appliance into an exclusive properly installed-grounded wall outlet. Do not under any circumstances cut or remove the third (ground) prong from the power cord
- This appliance requires a standard 115/120-volt, 60Hz electrical outlet with three-prong ground
- The cord should be secured behind the appliance and not left exposed or dangling to prevent accidental injury
- Do not use an adapter plug or extension cord with this appliance

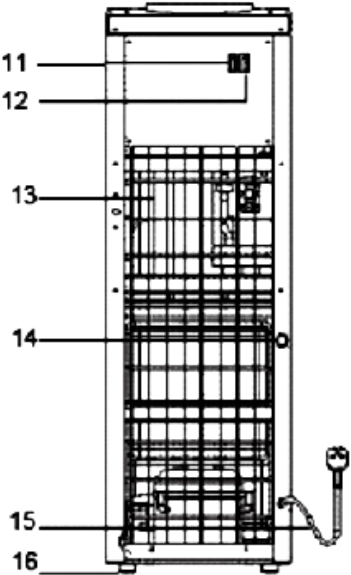
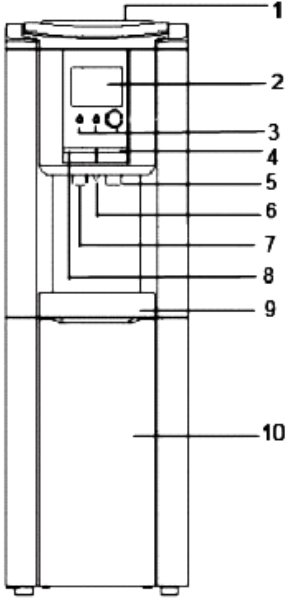
-WARNING-

IMPROPER USE OF THE GROUNDED PLUG CAN RESULT IN THE RISK OF ELECTRICAL SHOCK. IF THE POWER CORD IS DAMAGED; HAVE IT REPLACED BY AN AUTHORIZED PERSON.

CONTENTS

PARTS AND WHAT IS INCLUDED	5
INSTALLATION GUIDELINES	6
OPERATING PROGRAMS	9
CARE AND MAINTENANCE	10
WHEN NOT IN USE	10
TROUBLESHOOTING	11
WIRING DIAGRAM	11
WARRANTY	12
CONTACT INFORMATION	12

PARTS AND WHAT IS INCLUDED



- 1 Water Intake
- 2 Electronic LED Display
- 3 Control Panel
- 4 Cold Water Faucet
- 5 Cold Water Outlet
- 6 Nite-Light
- 7 Hot Water Outlet
- 8 Hot Water Faucet(with Child Safety Guard)

- 9 Drip Tray
- 10 Storage Compartment
- 11 Cooling Power Switch (Green)
- 12 Heating Power Switch(Red)
- 13 Condenser
- 14 Hot Water Drain Valve
- 15 Power Cord
- 16 Leveling Legs



INSTALLATION GUIDELINES

- Safely open the box and remove the exterior and interior packing
- Place your appliance on a floor that is strong enough to support the dispenser when it is fully loaded (Up to 36kg/80lbs including 18 kg/40lb water bottle). The unit is provided with four plastic feet, if it does not sit level on the floor; adjust the front feet to level the unit well to the floor
- Place the appliance away from direct sunlight and sources of heat (stove, heater, radiator, etc.) Direct sunlight may affect the acrylic coating and heat sources may increase electrical consumption. Extreme cold ambient temperatures may also cause the appliance not to perform correctly
- Allow at least 2 inches of space between the water dispenser and the wall to allow proper air circulation as well as to cool the compressor
- Plug the appliance into an exclusive properly installed-grounded wall outlet. Do not cut or remove the third (ground) prong from the power cord under any circumstances
- This water dispenser is not recommended for outdoor use
- Do not locate the dispenser in area where the temperature may fall below 0°C/32°F.
- Keep the area around the dispenser dust and dirt free
- Keep the reserve supply of water bottles away from excessive heat and light
- Only unplug the water cooler for maintenance

Initial Setup

Although the water dispenser is pre-cleaned at the factory the reservoir it is recommended that the unit be flushed with fresh water before use. Please follow the steps below for the initial setup:

- Keep the unit unplugged
- Fill the water tank with tap water to capacity. Wait for 5 minutes until water settles.
- Slide child safety button then push the hot water faucet until water comes out, then stop.
- Plug the dispenser into the electrical outlet. We are ready to complete the first cycle. In order to do that we must wait for the hot water to reach temperature in approximately 10 minutes, and then wait for the cold to reach temperature (another 40 minutes, approximately)
- Unplug the dispenser from the electrical outlet. Proceed to drain the water from the faucets one at a time until no more water remains
- (Note: To facilitate this operation, use a large container)

RWD-500W

- If there is any water left in the tanks you must open the drain plug located on the back right hand side, until it drains completely
- Finish by closing the drain cap

Now that the water cooler has been setup there are only a few more steps required to get the water cooler ready for use.

1. Remove the cap from the 5-gallon bottle and use a clean cloth to wipe off the neck of the bottle.
2. Place the 5-gallon bottle of water on the water intake; allow water to stand for approximately one minute.
3. Push water faucet buttons to insure water flows from both faucets.
4. Plug dispenser back into the electrical outlet.
5. Now you are ready to use your water dispenser.

Operating the Water Cooler

On the front panel, near the bottom there are two different coloured buttons, one being red and the other being blue. These are the two buttons that will dispense the water. The blue button dispenses cold water, while the red dispenses hot water. The difference between the two buttons is that the red hot water button has a child safety feature.

Safety Feature – Child Lock

The Water Dispense comes with a child safety lock for the hot water dispenser to help prevent children from burning themselves by accidentally pressing the hot water button. For users who wish to get hot water from the dispenser they must follow these steps:



- Slide red safety button (Shown left) to the right and hold while pressing downward on hot water faucet to dispense hot water
- Safety button will return to its original position when faucet is released

Steps on how to replace the water bottles

1. Remove cap.
2. Use a clean cloth to wipe off neck of bottle.
3. Carefully lift bottle (approx. 18kgs/ 40 lbs.) using your legs and not your back. Do not place hands on opening of bottle while placing in reservoir.
4. Insert the water bottle on the water intake over reservoir opening so it settles properly on it.
5. Wipe off any water which may have splashed on dispenser top.
6. When a new bottle is installed you must open the hot water faucet and remove no less than 4 full cups of water to insure the water flows properly and the water reservoir is at the proper level.

Controls and front display panel

Below is the front display panel for the water dispenser. Each button and LED function is displayed below.



Light

The water dispenser comes with a light feature. To activate, simply press the button to toggle it ON/OFF. The light shines out from the dispenser so you can see where exactly the water is coming from and where it's going.

OPERATING PROGRAMS

There are two types of preset programs (Energy Saving Mode and Normal Mode) which allow the water cooler to be used in different ways. To switch between two modes you simply have to press the program button.

Energy Saving Mode:

The Energy Saving feature helps save energy, by lowering the temperature of the heated water. This feature may be ideal when not in heavy use such as if the water dispenser is not used at night time or on weekends.

To utilize the Energy Saving feature, push the PROGRAM button down (in). A (green) E-S indicator light will be displayed. During Energy Saving operation the red "WARM" cycle indicator will be displayed until the temperature of the water in the reservoir reaches 60°C/140°F. Once the temperature reaches 60°C/140°F (approximately 4 minutes) the red "WARM" indicator will turn off and will remain off until the temperature of the water in the reservoir drops to 50°C/122°F at which time the red "WARM" cycle indicator will turn on and the cycle will start again.

If the unit is set to Energy Saving mode and you want to heat the water, simply press the "HOT WATER" button. A (red) "HOT" cycle indicator will be on and water temperature in the reservoir will be heated to 90°C/194°F, within about 4 minutes. Once the water temperature reaches 90°C/194°F, the (red) "HOT" cycle indicator will turn off and will remain off until the "HOT WATER" button is pressed again.

Normal Mode:

Normal Mode is the standard setting. In Normal mode, an orange NORM indicator light will be displayed. In Norm Mode operation, the (red) "HOT" cycle indicator light will be on until the temperature of the water in the reservoir reaches 90°C/194°F (approximately 9 minutes). The (red) "HOT" cycle indicator will turn off and will remain off until the temperature of the water in the reservoir drops to 81°C/178°F at which time the (red) "HOT" cycle indicator will turn on and the cycle will start again.

** During "NORMAL" mode, the "HOT WATER" button is non-functional.

Cold Temp (Energy Saver / Normal Modes):

The cold water cycle is not affected by either program and continuously runs to maintain a cold water temperature between 7°C/44°F and 10°C/50°F. Once the "Cold Switch" at the rear of the unit is turned ON, a blue "COLD" cycle indicator will be on until the temperature of the water in the reservoir drops to 7°C/44°F or less. The blue "COLD" cycle indicator will turn off and the cooling cycle will stop until the temperature reaches 10°C/50°F, at which time the blue "COLD" cycle indicator will turn on again and the cooling cycle will start again.



CARE AND MAINTENANCE

- Wash the inside of the reservoir with a warm water and baking soda solution. The solution should be about 2 tablespoons of baking soda to four cups of water.
- The drip tray and water faucets should be cleaned with mild detergent and warm water.
- Either at regular intervals or once a month inspect the coils located across the back of the dispenser. Vacuum any collection of dust or clean it with a hard brush.

Cleaning

NOTE: Your water dispenser has been cleaned and sanitized before leaving the factory, but in case a taste problem develops, place two tablespoons of baking soda inside the water tank and add tap water. After you fill the water tank you just need to repeat the basic operations previously outlined above in Initial Setup. The only difference now is to turn hot water functions “OFF” to avoid leaving residues in hot water tank.

WHEN NOT IN USE

- If the water dispenser will not be used for a long period of time, turn both switches OFF (at the back of the unit) and unplug the power cord from the electrical outlet.
- Drain the water through the faucets.
- Drain the water from the tanks by removing the caps from the bottom of the dispenser.

WARNING—THE WATER COMING OUT OF THE BOTTOM MARKED “HOT WATER DRAIN” MAY BE SCOLDING HOT WATER.
CAUTION IS ADVISED

- Unit should NOT be transported on its side. Place it upright if possible and cover it with a blanket

TROUBLESHOOTING

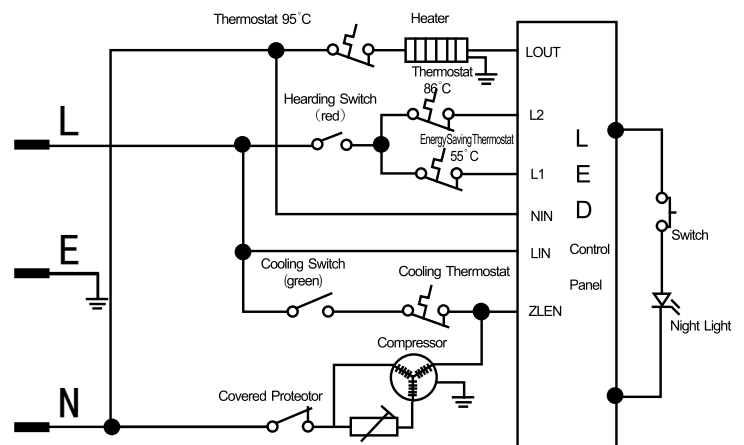
Problem	Possible Cause
Water dispenser does not operate.	Unit not plugged in. The circuit breaker tripped or a blown fuse.
Water cooler is not cold enough.	Check to be sure the cold switch on the back is ON. The water dispenser does not have the correct clearances.
Water dispenser hot water is not hot enough.	Check to be sure the hot switch on the back is ON.
Compressor turns on and off frequently.	The room temperature is hotter than normal. The temperature control is not set correctly. The water dispenser does not have the correct clearances.
Vibrations.	Check to assure that the water dispenser is level.
The water dispenser seems to make too much noise.	The rattling noise may come from the flow of the refrigerant, which is normal. As each cycle ends, you may hear gurgling sounds caused by the flow of refrigerant in your water dispenser. Contraction and expansion of the inside walls may cause popping and crackling noises. The water dispenser is not level.
Bottle feels warm.	The water system is overfilled. Dispense Cold water until air is released into the bottle.
Water bottle is hot.	Water is boiling in the hot tank and bubbling up into the bottle. Press the hot dispenser button until water flows to remove air from the hot tank.

Additional Problems

If you were unable to fix your problem after consulting the troubleshooting section then you should call a technician to resolve the issue

WIRING DIAGRAM

Included is the Wiring Diagram of the WATER DISPENSER





LIMITED 12 MONTHS WARRANTY

This warranty applies to repair or replacement of product found to be defective in material or workmanship for 12 months from the date of the original purchase. This warranty is extended only to the original purchaser.

This warranty does not apply to damage resulting from abuse, misuse, or improper maintenance of damage that is attributable to acts of nature. Royal Sovereign International, Inc. (and its affiliated companies) is not liable for incidental or consequential damages of any nature. This limitation would not apply if you live in those areas that do not permit the exclusion or limitation of incidental or consequential damages.

Defective products for warranty repair or replacement cannot be returned without a Return Authorization number. Please go to www.royalsovereign.ca USA-Customer Support Tab to make a request for an Office Product Return Authorization.

Defective products must be returned to Royal Sovereign International Consumer Return Department, freight prepaid, with proof of purchase and Return Shipping and Handling payment (check or money order). Upon repair or replacement the product will be returned to the customer.

Return defective product to the following address with a detailed description of the problem. If possible, pack in original carton. Please prepay shipping charges.

For out of warranty service or frequently asked questions please go to www.royalsovereign.ca USA- Customer Support Tab.

For sales of product, parts or accessories please visit us at www.royalfulfillmentcorp.com.

For service or sales please contact your local Royal Sovereign Office:

ROYAL SOVEREIGN INTERNATIONAL, INC.

2 Volvo Drive Rockleigh, NJ 07647 USA

TEL : +1) 800-397-1025 FAX : +1) 201-750-1022

RS CANADA INC.

5610 Timberlea Blvd, Mississauga, L4W 4M6, CANADA

TEL : +1) 905-461-1095 TF # : +1) 866-961-6673

FAX : +1) 905-461-1096

www.royalsovereign.ca



Guide de l'utilisateur



RWD-500W

**DISTRIBUTEUR D'EAU
GRANDE EFFICACITÉ**

*Veillez lire et conserver ces directives.
Pour enregistrer votre produit, veuillez accéder au www.royalsovereign.ca.*

www.royalsovereign.ca

Royal Sovereign International, Inc.

DISTRIBUTEUR D'EAU DE COMPTOIR

Modèle RWD-500W

Parce que nos produits font constamment l'objet d'améliorations, Royal Sovereign se réserve le droit de modifier le modèle et la fiche technique sans avis ni obligation du fabricant. E&OE

CONSIGNES DE SÉCURITÉ IMPORTANTES

Avertissement : Veuillez lire toutes les directives avant l'utilisation.

Pour diminuer les risques d'incendie, de choc électrique ou de blessures lors de l'utilisation de votre distributeur d'eau, prenez les précautions élémentaires suivantes :

- AVERTISSEMENT-

- Lisez toutes les directives avant d'utiliser le distributeur d'eau.
- Ne nettoyez jamais les pièces à l'aide de fluides inflammables. Les vapeurs peuvent créer un risque d'incendie ou d'explosion.
- L'essence et les autres liquides ou vapeurs inflammables ne doivent être ni conservés, ni utilisés à proximité de ce distributeur d'eau ou de tout autre distributeur d'eau. Les vapeurs peuvent créer un risque d'incendie ou d'explosion.

-Conservez ces directives-

Fonctionnement sécuritaire

- Ne branchez le refroidisseur d'eau qu'après avoir lu les sections Directives d'installation et Réglage initial.
- Avant de brancher l'appareil sur une source d'alimentation, mettez-le à la verticale pendant environ 2 heures. Cela permettra de réduire le risque de défaillance du système de refroidissement en raison de la manipulation lors du transport.
- N'utilisez que des bouteilles d'eau de 3 ou 5 gallons.
- Gardez le refroidisseur d'eau à l'écart de l'essence et d'autres vapeurs ou liquides inflammables.
- Nettoyez les déversements, s'il y a lieu.
- Étant donné que le refroidisseur d'eau distribue de l'eau chaude à des températures (88 °C à 95 °C/190 °F à 203 °F) pouvant entraîner des blessures corporelles, faites preuve de prudence lors du recours à l'eau chaude.
- Supervisez l'utilisation par les enfants; reportez-vous à Caractéristiques de sécurité

Sécurité électrique

- Cet appareil doit être mis à la terre de façon appropriée pour votre sécurité. Le cordon d'alimentation de cet appareil est doté d'une fiche à trois broches adaptée aux prises murales standards à trois fentes pour réduire au minimum les risques de choc électrique.
- Branchez l'appareil sur une prise de courant mise à la terre exclusive correctement installée. Ne coupez ni n'enlevez en aucun cas la troisième broche (mise à la terre) de cette fiche.
- Cet appareil doit être branché sur une prise de courant tripolaire standard de 115/120 volts, 60 Hz, mise à la terre.
- Pour éviter les blessures corporelles, le cordon doit être fixé derrière l'appareil et non laissé à découvert ou suspendu.
- N'utilisez ni adaptateur de fiche ni cordon prolongateur avec cet appareil.

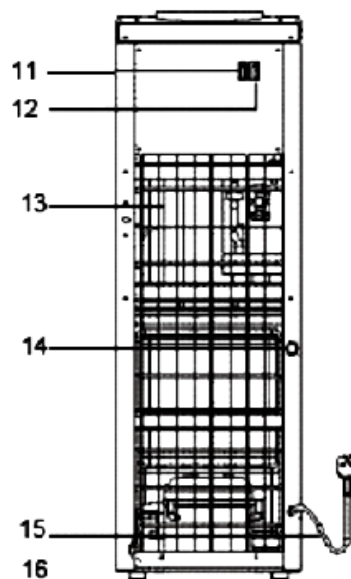
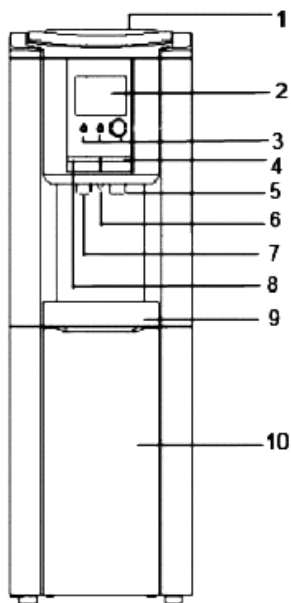
-AVERTISSEMENT-

L'UTILISATION INAPPROPRIÉE DE LA FICHE MISE À LA TERRE PEUT CRÉER UN RISQUE DE CHOC ÉLECTRIQUE. SI LE CORDON D'ALIMENTATION EST ABÎMÉ, FAITES-LE REMPLACER PAR UN TECHNICIEN AUTORISÉ

CONTENTS

PIÈCES ET CONTENU	17
DIRECTIVES D'INSTALLATION	18
PROGRAMMES FONCTIONNELS	21
SOIN ET ENTRETIEN	22
LORSQUE L'APPAREIL EST INUTILISÉ	22
DÉPANNAGE	23
SCHÉMA DE CÂBLAGE	23
GARANTIE	24
COMMENT NOUS JOINDRE	24

PIÈCES ET CONTENU



- 1 Admission d'eau
- 2 Afficheur électronique DEL
- 3 Panneau de commande
- 4 Robinet d'eau froide
- 5 Sortie d'eau froide
- 6 Veilleuse
- 7 Sortie d'eau chaude
- 8 Robinet d'eau chaude
(avec volet de protection des enfants)

- 9 Plateau d'égouttement
- 10 Compartiment de rangement
- 11 Interrupteur d'eau froide (vert)
- 12 Interrupteur d'eau chaude (rouge)
- 13 Condensateur
- 14 Soupape de drainage d'eau chaude
- 15 Cordon d'alimentation
- 16 Pieds de nivellement

DIRECTIVES D'INSTALLATION

- Ouvrez la boîte et retirez avec précaution le matériel d'emballage externe et interne.
- Installez votre appareil sur un plancher pouvant supporter le distributeur lorsqu'il est chargé à pleine capacité (jusqu'à 36 kg/80 lb, incluant une bouteille d'eau de 18 kg/40 lb). L'appareil comporte quatre pieds en plastique; s'il ne repose pas à niveau au sol, réglez les pieds avant pour l'adapter au plancher.
- Placez l'appareil à l'abri de l'ensoleillement direct et des sources de chaleur (poêle, chaufferette, radiateur, etc.). L'ensoleillement direct peut abîmer le revêtement acrylique et les sources de chaleur peuvent augmenter la consommation d'électricité. Les températures ambiantes extrêmes risquent également de perturber le fonctionnement de l'appareil.
- Prévoyez au moins 5 cm d'écart entre le distributeur d'eau et le mur pour ne pas entraver la circulation de l'air et pour le refroidissement du compresseur.
- Branchez l'appareil sur une prise de courant mise à la terre exclusive correctement installée. Ne coupez ni n'enlevez en aucun cas la troisième broche (mise à la terre) de cette fiche.
- Ce distributeur d'eau n'est pas recommandé pour l'utilisation à l'extérieur.
- Ne situez pas le distributeur là où la température peut s'abaisser sous 0 °C/32 °F.
- Gardez la zone autour du distributeur exempte de poussières et de saletés.
- Rangez les bouteilles d'eau de réserve à l'écart de la lumière et de la chaleur excessive.
- Ne débranchez le refroidisseur d'eau que pour l'entretien.

Réglage initial

Bien que le distributeur d'eau ait été nettoyé en usine, le réservoir et les canalisations d'eau doivent être rincés à l'eau fraîche avant l'utilisation. Veuillez suivre les étapes ci-dessous pour le réglage initial :

- Laissez l'appareil débranché.
- Remplissez au comble le réservoir avec de l'eau du robinet. Attendez cinq minutes que l'eau se stabilise.
- Faites glisser le bouton de protection des enfants et poussez ensuite le robinet d'eau chaude jusqu'à ce que l'eau s'écoule, puis relâchez-le.
- Branchez le distributeur sur une prise électrique. Nous sommes maintenant prêts à lancer le premier cycle. À cette fin, nous devons attendre que l'eau chaude atteigne sa température durant environ 10 minutes et ensuite attendre que l'eau froide atteigne la sienne (40 minutes supplémentaires, approximativement).
- Débranchez le distributeur de la prise électrique. Drainez l'eau par les robinets, un à la fois, jusqu'à ce qu'il n'y plus d'eau.
- (Remarque : pour faciliter la tâche, utilisez un grand contenant).

- S'il reste toujours de l'eau dans les réservoirs, vous devez retirer le bouchon de drainage situé au côté droit à l'arrière pour compléter le drainage.
- Réinstallez ensuite le bouchon de drainage.

Maintenant que le refroidisseur d'eau a été préparé, il ne reste que quelques autres étapes avant que l'appareil soit prêt à utiliser.

1. Retirez la capsule de la bouteille de 5 gallons et essayez le goulot avec un linge propre.
2. Déposez la bouteille d'eau de 5 gallons sur l'admission d'eau; laissez l'eau se stabiliser pendant environ une minute.
3. Poussez les touches des robinets d'eau pour vérifier que l'eau s'écoule des deux robinets.
4. Rebranchez le distributeur sur la prise électrique.
5. Vous êtes maintenant prêt à utiliser votre distributeur d'eau.

Fonctionnement du refroidisseur d'eau

Sur le panneau avant près de la partie inférieure se trouvent deux touches, l'une rouge et l'autre bleue. Ce sont les deux touches de distribution d'eau. La touche bleue distribue l'eau froide et la touche rouge l'eau chaude. Ce qui les distingue est que la touche rouge d'eau chaude comporte une caractéristique de protection des enfants.

Caractéristique sécuritaire – Verrou de protection des enfants

Le distributeur d'eau est doté d'un verrou de sécurité du robinet d'eau chaude pour éviter que les enfants se brûlent en pressant accidentellement la touche d'eau chaude. L'utilisateur qui souhaite tirer de l'eau chaude du distributeur doit suivre ces étapes :



- Faire glisser le bouton de sécurité rouge (illustré à gauche) vers la droite et le tenir en appuyant sur le robinet d'eau chaude pour distribuer l'eau.
- Le bouton de sûreté reviendra à sa position initiale au relâchement du robinet.

Étapes de remplacement des bouteilles d'eau.

1. Retirer la capsule.
2. Essuyer le goulot de la bouteille à l'aide d'un linge propre.
3. Soulever la bouteille avec précaution (approx. 18 kg/40 lb) à l'aide des jambes et non du dos. Ne pas poser les mains sur l'ouverture de la bouteille lors du dépôt dans le réservoir.
4. Poser la bouteille d'eau sur l'admission d'eau par-dessus l'ouverture du réservoir en l'appuyant correctement.
5. Essuyer toute éclaboussure d'eau sur le dessus du distributeur, s'il y a lieu.
6. Une fois la nouvelle bouteille installée, ouvrir le robinet d'eau chaude et tirer au moins 4 tasses complètes d'eau pour veiller à ce que celle-ci s'écoule correctement et que le niveau d'eau du réservoir soit approprié.

Commandes et panneau d'affichage avant

Voici une représentation du panneau d'affichage avant du refroidisseur d'eau. Touches et fonctions sont représentées ci-dessous.



Lampe

Le distributeur d'eau est doté d'éclairage. Pour l'allumer, pressez simplement la touche pour alterner la mise en marche et l'arrêt. La lampe illumine de l'intérieur du distributeur de sorte qu'il est possible de voir la provenance et la destination de l'eau.

PROGRAMMES FONCTIONNELS

Deux types de programmes pré-réglés (mode écoénergétique et mode normal) permettent d'utiliser l'eau de deux façons différentes. Pour passer d'un mode à l'autre, pressez simplement la touche de programme.

Mode écoénergétique :

La caractéristique écoénergétique aide à conserver l'énergie par abaissement de la température de chauffage de l'eau. Cette caractéristique peut s'avérer idéale pour l'emploi léger, comme lorsque le distributeur d'eau est inutilisé la nuit ou les fins de semaine.

Pour activer la caractéristique écoénergétique, pressez (enfoncez) la touche PROGRAM. Le voyant lumineux (vert) E-S s'illuminera. Durant le fonctionnement, le voyant du cycle WARM (tiède) s'illumine jusqu'à ce que la température de l'eau du réservoir atteigne 60 °C/140 °F. Dès que la température atteint 60 °C/140 °F (environ 4 minutes), le voyant rouge « WARM » s'éteint et ne s'illumine pas avant que la température de l'eau du réservoir s'abaisse à 50 °C/122 °F, moment où le voyant rouge « WARM » s'illuminera pour indiquer la relance du cycle.

Lorsque l'appareil fonctionne en mode écoénergétique et que vous souhaitez chauffer l'eau, pressez simplement la touche « HOT WATER » (eau chaude). Le voyant (rouge) du cycle « HOT » (chaud) s'illuminera et la température de l'eau du réservoir atteindra 90 °C/194 °F au bout d'environ 4 minutes. Dès que la température atteint 90 °C/194 °F, le voyant (rouge) du cycle « HOT » s'éteint et ne s'illumine pas avant que soit de nouveau pressée la touche « HOT WATER ».

Mode normal :

Le mode normal est le réglage standard. En mode normal, le voyant lumineux NORM orange s'illumine. Lors du fonctionnement en mode normal, le voyant (rouge) du cycle « HOT » s'illumine jusqu'à ce que la température de l'eau du réservoir atteigne 90 °C/194 °F (environ 9 minutes). Le voyant (rouge) du cycle « HOT » s'éteint et ne s'illumine pas avant que la température de l'eau du réservoir s'abaisse à 81 °C/178 °F, moment où le voyant (rouge) du cycle « HOT » s'illuminera pour indiquer la relance du cycle.

** Durant le mode « NORMAL », la touche « HOT WATER » est inopérante.

Refroidissement (modes écoénergétique et normal) :

Ces programmes ne modifient en rien le cycle d'eau froide, qui demeure continuellement en fonction pour maintenir la température de l'eau froide entre 7 °C/44 °F et 10 °C/50 °F. Lorsque l'interrupteur de refroidissement à l'arrière de l'appareil est en fonction (ON), le voyant du cycle COLD (froid) s'illumine jusqu'à ce que la température de l'eau du réservoir s'abaisse à 7 °C/44 °F ou moins. Le voyant bleu du cycle « COLD » s'éteint et le cycle de refroidissement s'interrompt jusqu'à ce que la température atteigne 10 °C/50 °F, moment où le voyant bleu du cycle « COLD » s'illuminera de nouveau pour indiquer la relance du cycle de refroidissement.

SOIN ET ENTRETIEN

- Nettoyez l'intérieur du réservoir à l'aide d'une solution d'eau tiède et de bicarbonate de soude. La solution doit contenir environ 2 cuillers à soupe de bicarbonate de soude ajoutées à quatre tasses d'eau.
- Le plateau d'égouttement et les robinets doivent être nettoyés à l'aide d'un détergent doux et d'eau tiède.
- Inspectez les serpentins à l'arrière du distributeur à intervalles réguliers ou mensuellement. Retirez toute accumulation de poussière à l'aide d'un aspirateur ou d'une brosse à poils durs.

Nettoyage

REMARQUE : Votre distributeur d'eau a été nettoyé et aseptisé avant de quitter l'usine, mais en cas de problème de goût, ajoutez de l'eau du robinet additionnée de deux cuillers à soupe de bicarbonate de soude dans le réservoir d'eau. Une fois rempli le réservoir d'eau, vous n'avez qu'à répéter les étapes préalablement décrites plus haut à la section Réglage initial. À la différence cette fois qu'il faut désactiver (OFF) les fonctions d'eau chaude pour prévenir l'accumulation de résidus dans le réservoir d'eau chaude.

LORSQUE L'APPAREIL EST INUTILISÉ

- Lorsque le distributeur d'eau est inutilisé durant une longue période, mettez les deux interrupteurs (à l'arrière de l'appareil) hors fonction (OFF) et débranchez le cordon d'alimentation de la prise électrique.
- Drainez l'eau par les robinets.
- Drainez les réservoirs en retirant les bouchons du dessous du distributeur.

AVERTISSEMENT - L'EAU S'ÉCOULANT DE L'ORIFICE INDIQUANT « HOT WATER DRAIN » PEUT ÊTRE BRÛLANTE.
LA PRUDENCE EST RECOMMANDÉE

- L'appareil ne devrait PAS être transporté en position horizontale. Posez-le à la verticale si possible et abritez-le d'une couverture.

DÉPANNAGE

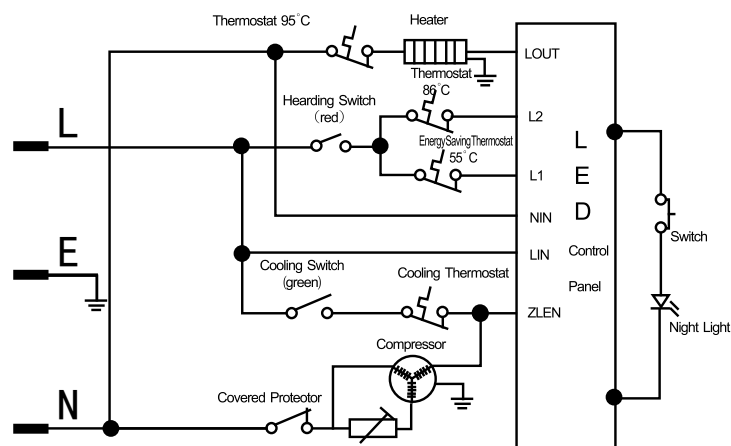
Problème	Cause possible
Le distributeur d'eau ne fonctionne pas.	Cordon d'alimentation non branché. Le circuit électrique est disjoncté ou un fusible a sauté.
L'eau n'est pas suffisamment froide.	Vérifier que l'interrupteur d'eau froide à l'arrière est en fonction (ON). Le distributeur d'eau n'est pas suffisamment dégagé.
L'eau chaude du distributeur d'eau n'est pas suffisamment chaude.	Vérifier que l'interrupteur d'eau chaude à l'arrière est en fonction (ON).
Le compresseur se met en fonction et hors fonction fréquemment.	La température ambiante est plus élevée qu'à la normale. La commande de température n'est pas correctement réglée. Le distributeur d'eau n'est pas suffisamment dégagé.
Vibrations.	Vérifier que le distributeur d'eau repose à niveau.
Le distributeur d'eau semble trop bruyant.	Le cliquetis peut provenir de l'écoulement du frigorigène, ce qui est normal. À la fin de chaque cycle, il peut y avoir des bruits de gargouillement attribuables à l'écoulement du frigorigène dans le distributeur d'eau. La contraction et l'expansion des parois internes peuvent produire des bruits d'éclatement et de grésillement. Le distributeur d'eau n'est pas nivelé.
La bouteille semble chaude au touché.	Le réseau d'eau est suralimenté. Tirer de l'eau froide jusqu'à laisser l'air s'infiltrer dans la bouteille.
La bouteille d'eau est chaude.	L'eau bout dans le réservoir d'eau chaude et remonte en bulles dans la bouteille. Presser la touche de distribution d'eau chaude jusqu'à tirer l'eau afin de retirer l'air du réservoir d'eau chaude.

Autres problèmes

Si le problème n'est pas résolu après la consultation de la section de dépannage, communiquer avec un technicien pour corriger le problème.

SCHÉMA ÉLECTRIQUE

Voici le schéma de câblage du DISTRIBUTEUR D'EAU.





GARANTIE LIMITÉE DE 12 MOIS

Cette garantie prévoit la réparation ou le remplacement d'un produit comportant un vice matériel ou de fabrication pendant 12 mois à partir de la date de l'achat initial. La garantie est offerte uniquement à l'acheteur d'origine.

Cette garantie ne couvre pas les dommages causés par l'abus, le mésusage, l'entretien inapproprié ou les dommages attribuables aux calamités naturelles. Royal Sovereign International, Inc. (et ses filiales) n'accepte aucune responsabilité pour les dommages consécutifs ou indirects, quelle que soit leur nature.

Cette restriction ne s'applique pas si vous résidez dans un endroit qui ne permet pas l'exclusion ou la restriction des dommages consécutifs ou indirects.

Les produits défectueux couverts par la garantie en vue de la réparation ou du remplacement ne peuvent pas être retournés sans un numéro d'autorisation de retour. Veuillez accéder au www.royalsovereign.ca, USA, onglet Customer Support, pour présenter une demande d'autorisation de retour d'article de bureau (Office Product Return Authorization).

Les produits défectueux doivent être expédiés au service à la clientèle de Royal Sovereign International, port payé, et accompagnés d'une preuve d'achat et du paiement des frais de port et de manutention pour le retour (chèque ou mandat postal). Suivant la réparation ou le remplacement, le produit sera retourné au client.

Retournez le produit défectueux à l'adresse ci-dessous, accompagné d'une explication détaillée du problème. Lorsque cela est possible, retournez le produit dans son emballage d'origine. Veuillez payer les frais d'expédition à l'avance.

Pour un service non couvert par la garantie et pour consulter une foire aux questions, veuillez accéder au www.royalsovereign.ca, USA, onglet Customer Support.

Pour la vente de produits, de pièces et d'accessoires, veuillez accéder au www.royalfulfillmentcorp.com.

Pour le service ou les ventes, veuillez communiquer avec votre bureau local de Royal Sovereign

ROYAL SOVEREIGN INTERNATIONAL, INC.

2 Volvo Drive Rockleigh, NJ 07647 USA

TÉL. : 1-800-397-1025 TÉLÉC. : 1-201-750-1022

RS CANADA INC.

5610 Timberlea Blvd, Mississauga, L4W 4M6, CANADA

TÉL. : 1-905-461-1095 N° TÉLÉC. : 1-866-961-6673

TÉLÉC. : 1-905-461-1096

www.royalsovereign.ca