

This Owner's Manual is provided and hosted by [Appliance Factory Parts](http://www.appliancefactoryparts.com).



DCS BH1-30R-L Owner's Manual

[Shop genuine replacement parts for DCS BH1-30R-L](#)



[Find Your DCS Grill Parts - Select From 274 Models](#)

----- Manual continues below -----

PARTS MANUAL

Outdoor Grill

BH1-30R-L DCS US CA

Product Code
71304-A

US CA



CONTENTS

Introduction	3
Grill burner components	3
Grill body components & accessories	7
Rotisserie components	11

INTRODUCTION

BRAND	VOLTAGE	MODEL	PRODUCT CODE
DCS byFisher & Paykel	120VAC 60Hz	BH1-30R-L DCS US CA	71304-A

MODELS

The models covered by this manual are listed on the front cover. The information detailed in this manual is subject to change without notice. The latest version is indicated by the reprint date and replaces any earlier editions.

KIT PARTS

Where a part number is shown against the descriptions for kit components, they are also available as separate items. In addition, some parts may be supplied with these kits that are not available as separate items, and are therefore either not listed, or a part number is not shown against the part description in this manual.

PARTS LIST KEY

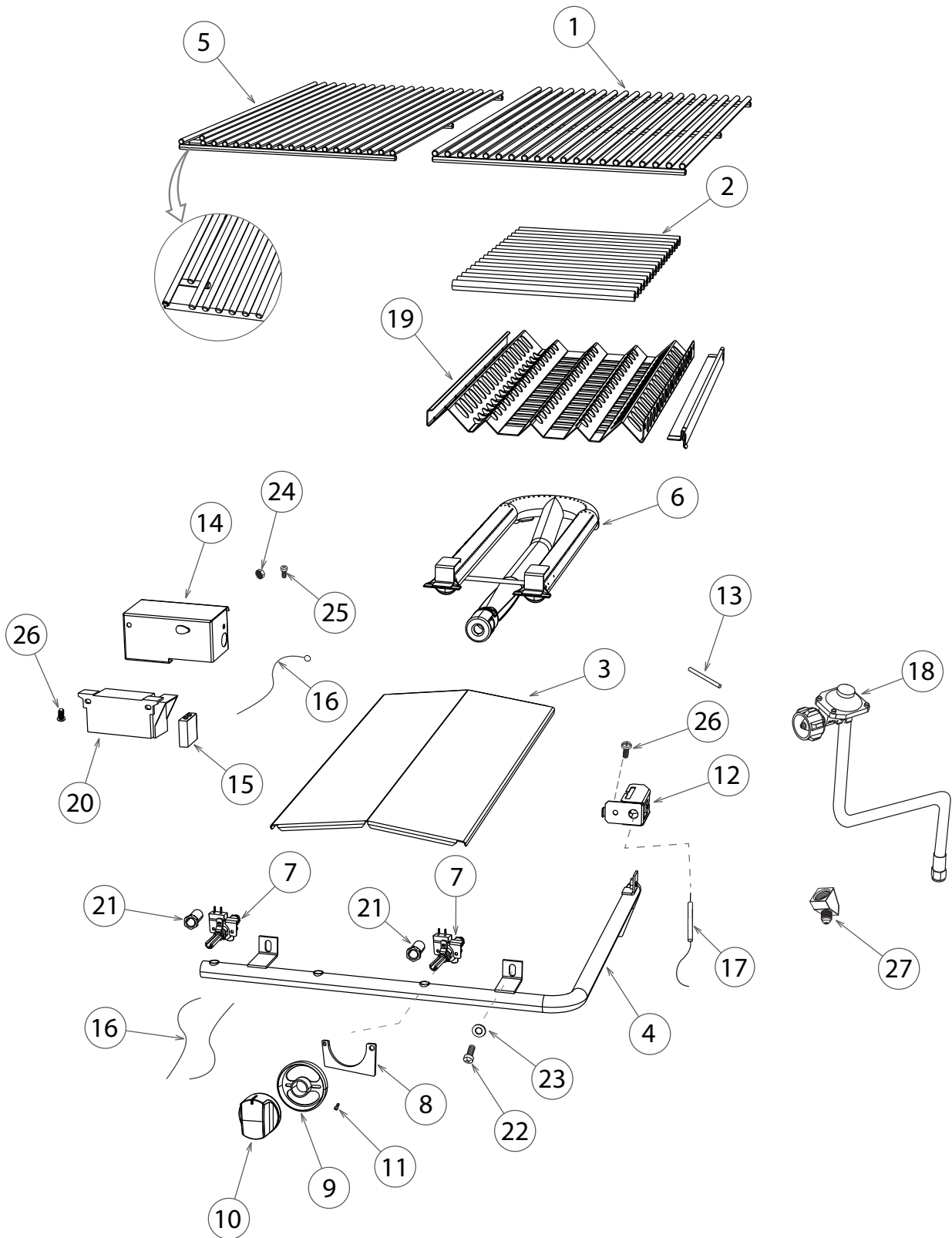
NI	As a part reference, indicates the part is not illustrated on the diagram.
NOT USED	As a part number, indicates the diagram part reference is not used in this manual.
NS	As a part number, indicates the part is not servicable.

US CA

Fisher & Paykel Appliances Inc.
DCS Customer Care
695 Town Center Drive, Suite 180
Costa Mesa.
CA 92626-1902
USA

Customer Care: 1-888-936-7872
Fax: (714) 372-7003
email: customer.care@fisherpaykel.com
www.dcsappliances.com

GRILL BURNER COMPONENTS

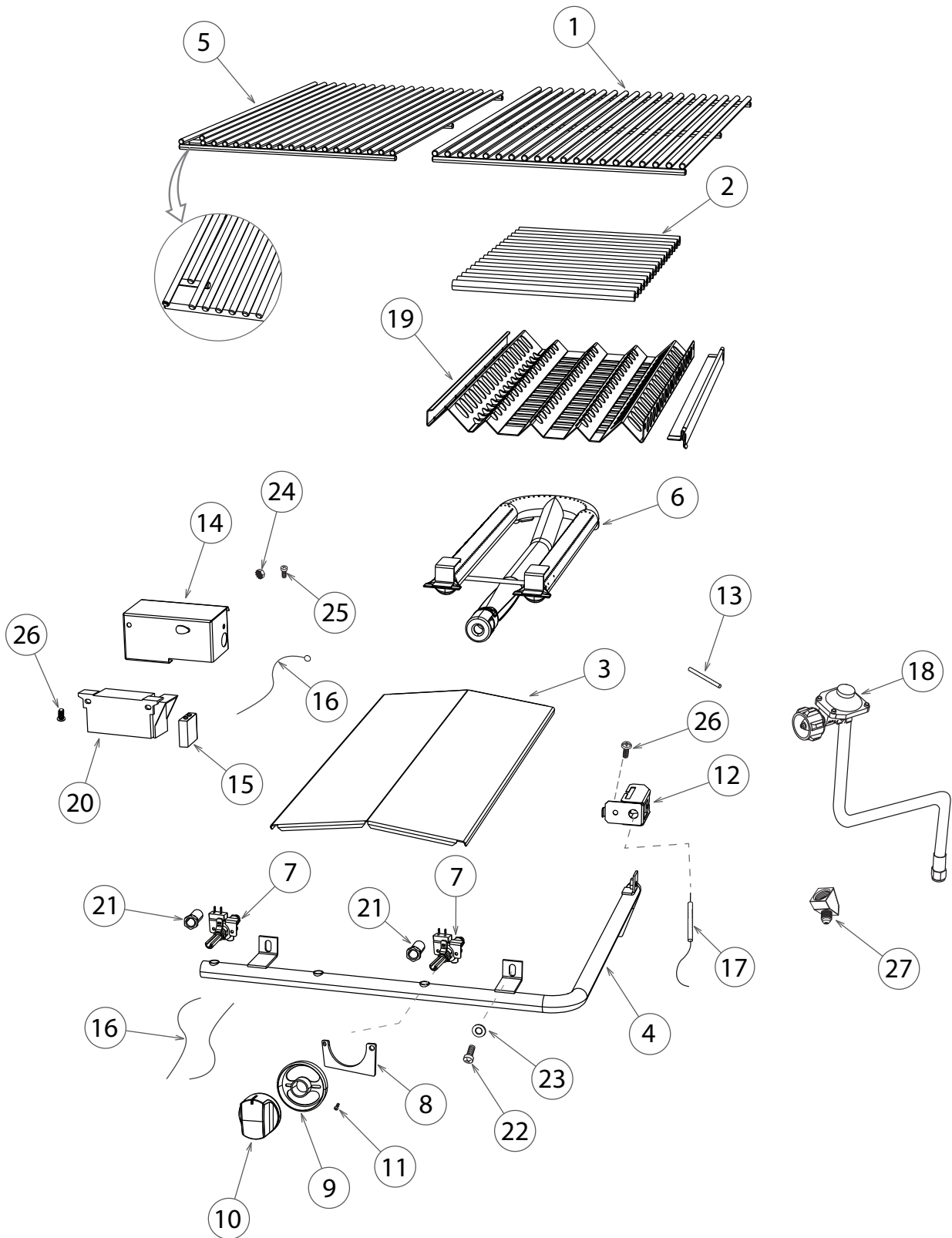


GRILL BURNER COMPONENTS

REFERENCE	PART NUMBER	PART DESCRIPTION
1	212925	GRILL RACK 01 BGB30
2	245398	CERAMIC ROD 9.50 (PKT10)
3	214569	HEAT SHIELD FIRE BOX
4	237800	MANIFOLD PIPE SS BGB30-BQR
5	212926	GRILL RACK 02 BGB30
6	210617	TUBE BURNER BBQ 30
7	250824	GAS VALVE BGC BLUE
8	250789	PLATE BEZEL SUPPORT BGC
9	250745	BEZEL GRILL DCS
10	250777	DIAL GRILL DCS ASSY
11	211248P	SMS 6-32X 3/8 PH PN TY F SS
12	214293	MOUNTING BRACKET ELECTRODE
13	211593	FIBER GLASS SLEEVE 1/2 (ORDER BY THE FOOT)
14	250851	HOUSING IGNITION MODULE W/A
15	212337	BATTERY ALKALINE 9V
16	250864	BGC30 - BQR IGNITION SW LOOM
	Includes	BGC EARTH WIRE WITH TERMINALS
	Includes	BGC 3 SW WIRE WITH TERMINALS
17	250871	BGC30 - BQR IGNITER KIT
	Includes 250199P	BURNER ELECTRODE 370
	Includes 250200P	BURNER ELECTRODE 660
	Includes 250286P	ELECTRODE ROTIS BUR 1145
18	210819P	90 DEG/HOSE ASSY QCC-1 (PKD)
19	214421	RADIANT ASSY BGB30
	Includes 214419	HOUSING RADIANT BGB30
	Includes 214420	LOCK RADIANT BGB30
20	212333	BATTERY IGN MODULE 9V ELTEC 4
21	210689	JET SPUD 1.51MM (53DMS)
22	211323P	HB 1/4-20 X 1/2 X FULL SS
23	211368P	WSHR FLT 313 X 750 SS
24	211480	NUT KEPS 8-32 SS

continued on next page

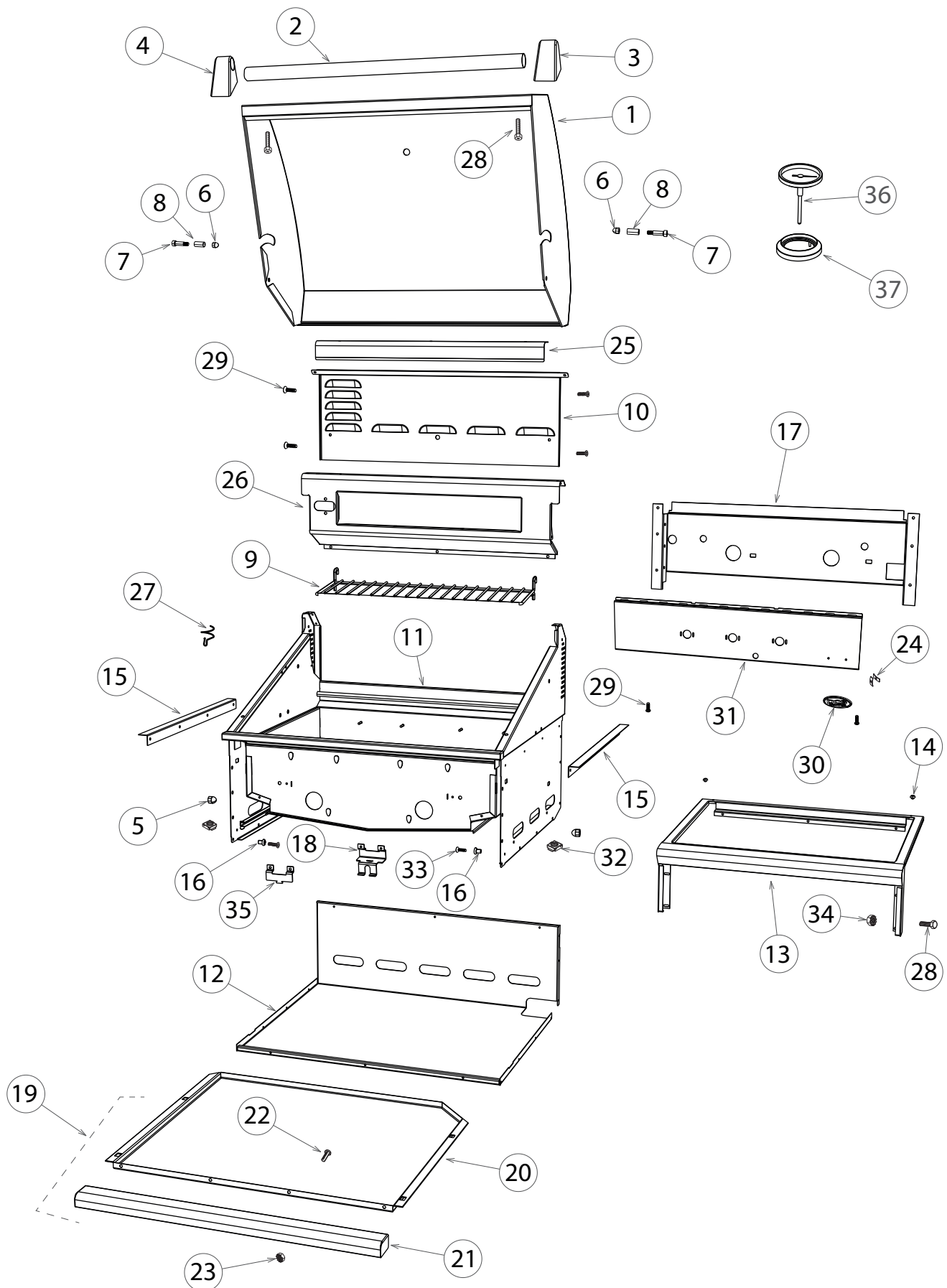
GRILL BURNER COMPONENTS



GRILL BURNER COMPONENTS

REFERENCE	PART NUMBER	PART DESCRIPTION
25	211295	MS 8-32 X 1/2 PH TR HD SS
26	211242P	MS 10-24X1/2 PHPN TY F SS 10PK
27	239586	ELBOW 45,3/8 M FLAREX 1/2F NPT
NI	217732	KIT CONV LP TO NAT BGB30
	Including 210677	JET SPUD 2.44MM (41DMS) X 2
	Including 210686	JET SPUD 1.78MM (50DMS) X 1
	Including 210765	REGULATOR - 4.0 WC X 1
	Including 211360	NUT HEX 3/8-27 ZINC X 2
	Including	LABEL NAT. GAS X 1
	Including	INSTR CONV KIT LP/NAT BGB30 X 1
	Including 212123	1/2 NPT X CLOSE NIPPLE BLK X 1
	Including 212138	COUPLING 1/2 NPT BLACK X 1
NI	591111	BKSET BH1-30 GRILLS DCS US
	Includes	BK USR/INSTL BH1 30 DCS US
	Includes	BK SRVCE/W'NTY OUTDR DCS USCA

GRILL BODY COMPONENTS & ACCESSORIES

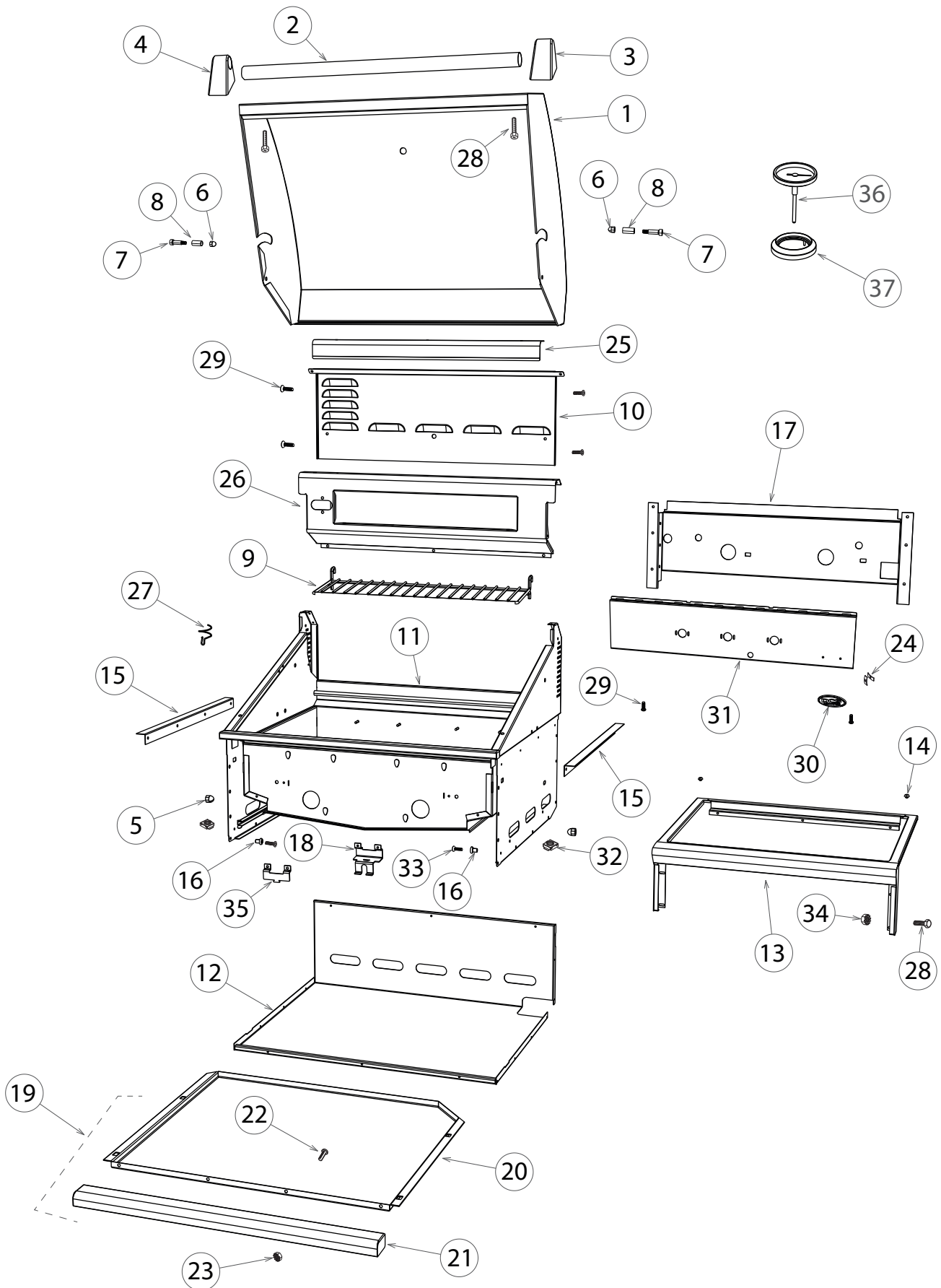


GRILL BODY COMPONENTS & ACCESSORIES

REFERENCE	PART NUMBER	PART DESCRIPTION
1	251292	LID W/A 30 BH
2	251125	GRILL HANDLE LID 30
3	248037	END CAP HANDLE RH
4	248038	END CAP HANDLE LH
5	218150	NUT HEX 10-24 KEPS SS (10PK
6	211387	ACORN NUT 5/16 -18 DEFLECTED
7	211437	BLT SHLDR SS 5/16-18 X 1
8	213907	SPACER LID 36/48 BQ
9	212927	WARMING RACK BGB30
10	224780	SERVICE PANEL BGB30
11	214423	FIRE BOX W/A BGB30
12	224776	BOTTOM BURNER BOX BGB30
13	250842	LANDING LEDGE W/A BGC30
14	212359P	RUBBER BUMPER (4PK)
15	224769	ANGLE GRILL SUPPORT
16	211090P	RACK ROLLER VERTICAL (PKD)
17	250783	FRONT BAFFLE BGC30
18	250318	BRACKET SAFETY VALVE AA
19	224758	DRIP PAN ASSY BGB30
	Includes 214412	DRIP PAN BGB30 BQR
	Includes 214411	HANDLE DRIP PAN BGB30 BQAR PTD
20	214412	DRIP PAN BGB30
21	214411	HANDLE DRIP PAN BGB30 BQAR PTD
22	237354	MS10-24X3/8 PH TRU SS (PKT 10)
23	211359P	NUT HEX10-24SS LOCK NYLON (10PK)
24	211419P	LOGO - CLIP (2 PACK)
25	214415	I/R PROTECTION PLTE BGB30 PORC
26	214413	WRAPPER I/R BURNER BGB30
27	545874	WIRE STANDOFF COIL
28	211323P	HEX 1/4-20 X 1/2 FUL TH SS (10PK)
29	211242P	MS 10-24 X 1/2 PH TR TY F SS (10PK)
30	237566	BADGE 3.3"

continued on next page

GRILL BODY COMPONENTS & ACCESSORIES

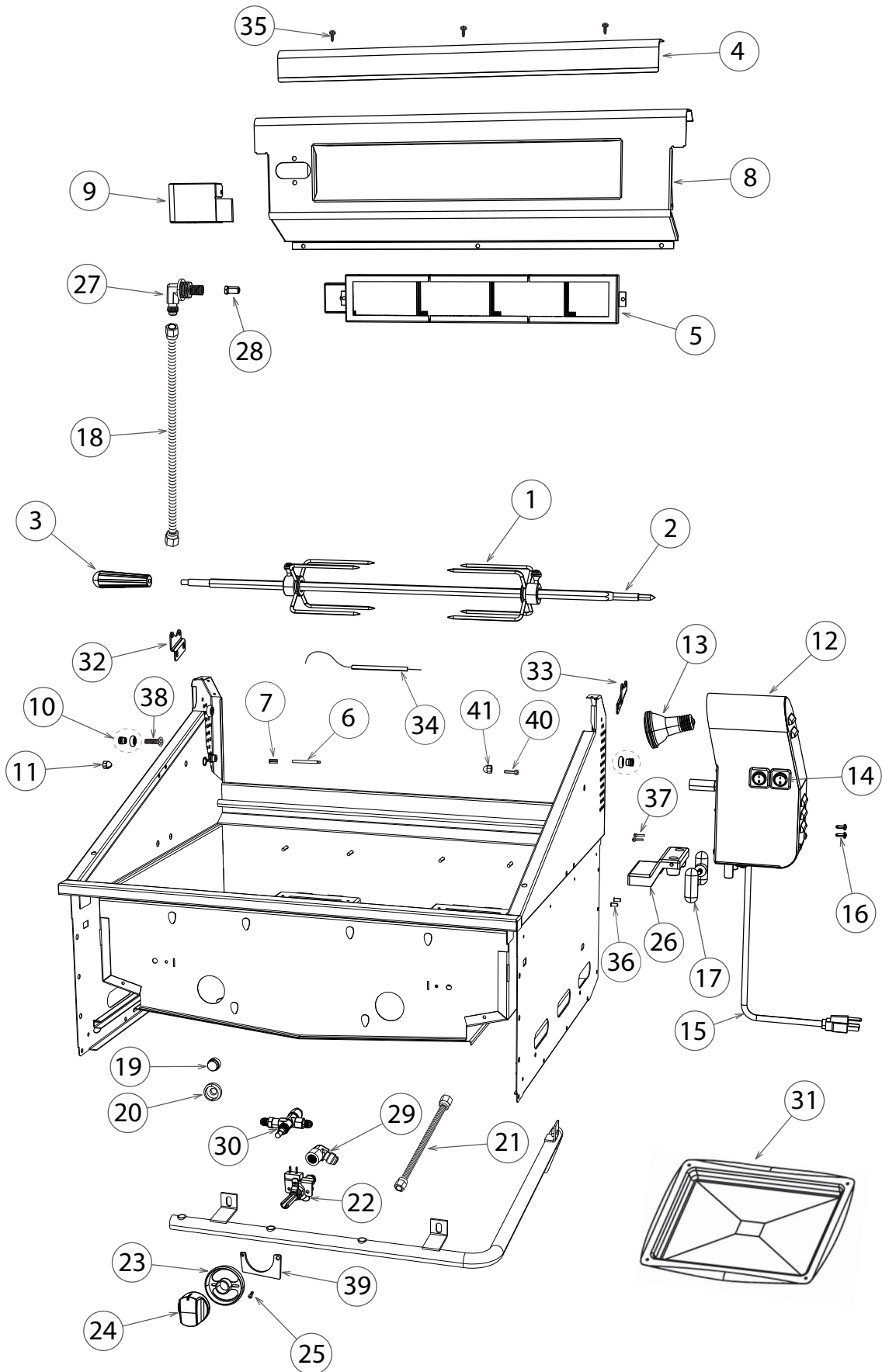


DWG 003864

GRILL BODY COMPONENTS & ACCESSORIES

REFERENCE	PART NUMBER	PART DESCRIPTION
31	250997	VALVE PANEL BGC30 BQR PTD
32	211408P	NUT W/RET 1/4-20 BLK (10PK)
33	250184	MS 10-24 X 1 PH FLT 100 316SS
34	211398P	NUT KEPS 1/4-20 SS (10PK)
35	250319	LOCK BRACKET SAFETY VALVE AA
36	251352	TEMPERATURE GAUGE GRILL SMALL
	Includes	WING NUT
37	251353	BEZEL TEMPERATURE DCS GRILL SMALL

ROTISSERIE COMPONENTS

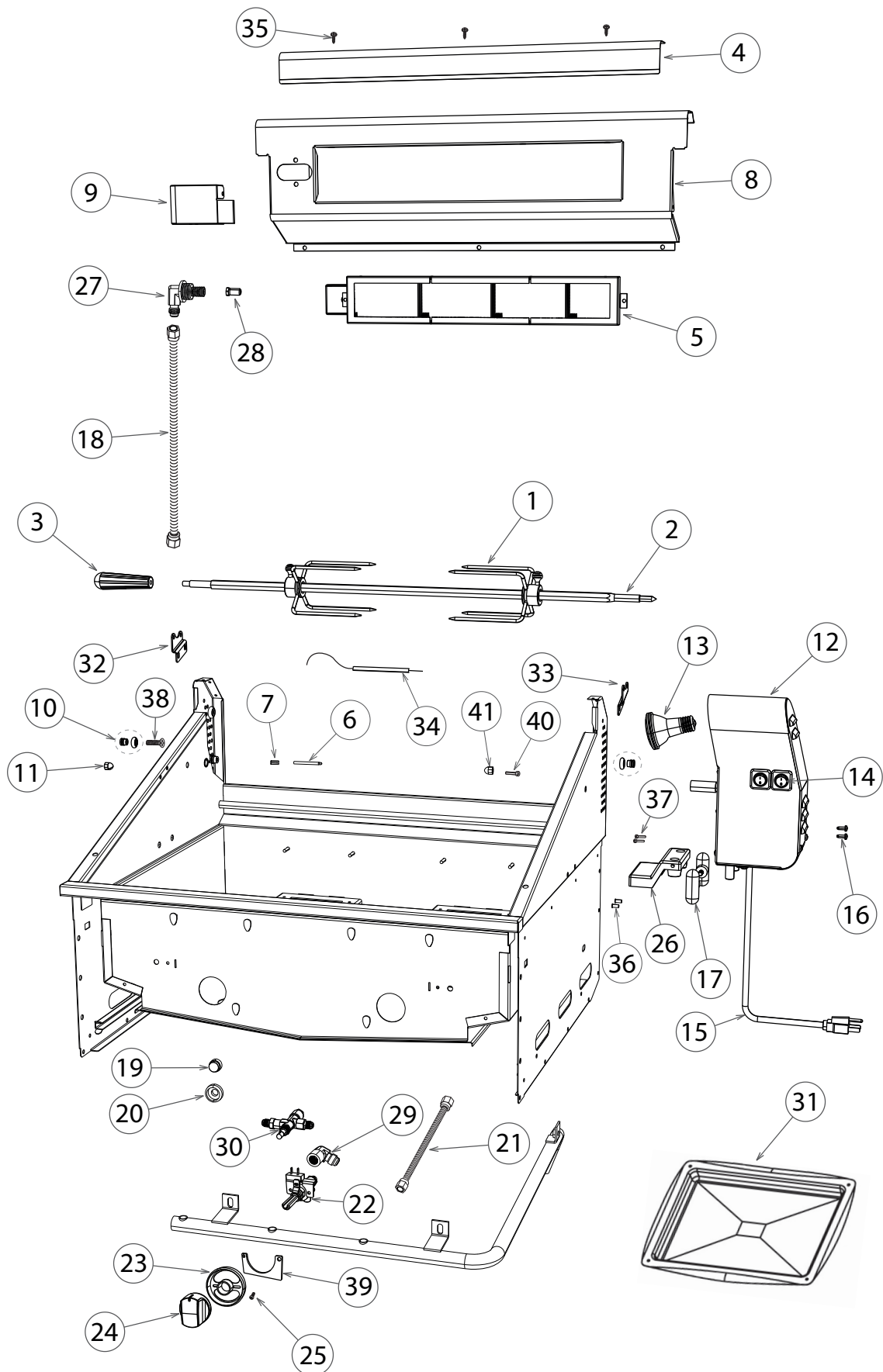


ROTISSERIE COMPONENTS

REFERENCE	PART NUMBER	PART DESCRIPTION
1	212418	MEAT HOLDER ASSY 99
2	212934	ROTISSERIE ROD BGB30
3	212163	HANDLE - ROTIS ROD
4	214415	I/R PROTECTION PLTE BGB30 PORC
5	210357	BURNER I/R 36
6	250130	THERMOCOUPLE BBQ KE200 48
7	250140	CLIP THERMOCOUPLE RETAINER
8	214413	WRAPPER I/R BURNER BGB30
9	213784	ELECTRODE HOUSING W/A L/H
10	211089P	RACK ROLLER (PKD)
11	211389	NUT ACORN 10-24 LOCKING SS
12	250011	ROTISSERIE MOTOR KIT BGB
	Includes 250310	BULB ROTISSERIE MOTOR 120V
	Includes 250062	SWITCH ON - OFF
	Includes 250076	FLEX HARNESS ROTIS
	Includes 247073	MS 10-32 X 3/8 PH PAN SS
13	250310	BULB ROTISSERIE MOTOR 120V
14	250062	SWITCH ON - OFF
15	250076	FLEX HARNESS ROTIS
16	211242P	MS 10-24X1/2 PHPN TY F SS 10PK
17	211051	ROTISS MOUNTING ARM
18	221931	TUBE 25 ID SS FLEXIBLE 45 IN
19	250830	BUTTON SAFETY VALVE
20	250831	BEZEL SAFETY VALVE
21	221930	TUBE 25 ID SS FLEXIBLE 7 IN
22	250824	GAS VALVE BGC BLUE
23	250745	BEZEL GRILL DCS
24	250777	DIAL GRILL DCS ASSY
25	211248P	SM 6-32X3/8 PH PAN TY F SS (10PK)
26	211046	ROTISS BLOCK
27	250075	FITTING ELBOW IR ASSY
28	220582	JET SPUD LG 1.15MM
29	221935	ELBOW 3/8 F X 1/4 M FLARE

continued on next page

ROTISSERIE COMPONENTS



ROTISSERIE COMPONENTS

REFERENCE	PART NUMBER	PART DESCRIPTION
30	231442	SAFETY VALVE ELBOW ASY BGB
	Includes 211355	NUT HEX M12 X .75 BRASS
	Includes 212199	SAFETY VALVE
	Includes 221932	FITTING 1/8-27 NPT X 1/4 FLARE
	Includes 221933	FITTING 1/8-27 NPT (F) X 1/4 FLARE
31	547084	PAN BROILER 30IN GPHT
32	214398	BRACKET ROTISS SUPPORT L/H
33	214397	BRACKET ROTISS SUPPORT R/H
34	250286P	ELECTRODE ROTIS BUR 1145
35	218132	SM10-24X1/2PH TRU TY23 4SS 10PK
36	237190	FLANGE BUSHING
37	220807	HB 1/4-20 X 1-1/2 X FULL
38	250296	MS 10-24 X 3/4 PH FLT 100 316SS
39	250789	PLATE BEZEL SUPPORT BGC
40	211326	HB 1/4-20 X 1/-1/4 X 3/4 SS
41	211390	ACORN NUT LOCKING 1/4-20 SS

www.fisherpaykel.com

Copyright © Fisher & Paykel Appliances Ltd 2016. All rights reserved.
The product specifications in this manual apply to the specific model described at the date of issue. Under our policy of continuous product improvement, these specifications may change at any time. Only use this manual if the product code on the front matches the product code on the serial label of the product.

US CA

PRODUCT CODE: 71304-A 03.16