

This Owner's Manual is provided and hosted by [Appliance Factory Parts](#).



CUISINART CGG-220 Owner's Manual

[Shop genuine replacement parts for CUISINART
CGG-220](#)



[Find Your CUISINART Grill Parts - Select From 152 Models](#)

----- Manual continues below -----

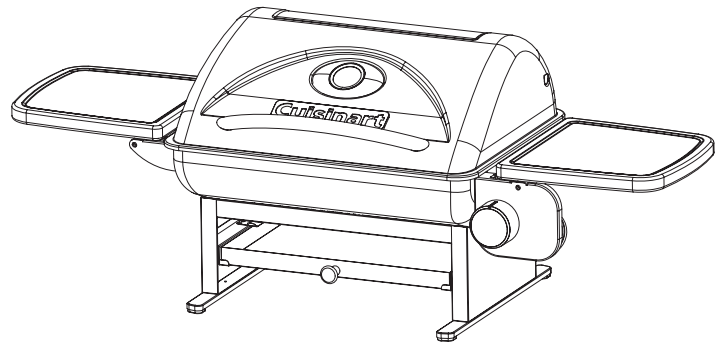
Cuisinart®

Outdoor Grilling Products

MODEL: CGG-220

Everyday Portable LP Gas Grill

ASSEMBLY AND OPERATING INSTRUCTIONS



⚠ WARNING: FOR OUTDOOR USE ONLY

- ⚠ This instruction manual contains important information necessary for the proper assembly and safe use of the appliance
- ⚠ Read and follow all warnings and instructions before assembling and using the appliance
- ⚠ Follow all warnings and instructions when using the appliance
- ⚠ Keep this manual for future reference

Note to installer: Leave this Owner's Manual with the consumer after delivery and/or installation.

Note to customer: Leave this Owner's Manual in a convenient place for future reference.

⚠ DANGER

1. Do not store or use gasoline or other flammable liquids or vapors in the vicinity of this or any other appliance.
2. An LP cylinder not connected for use shall not be stored in the vicinity of this or any other appliance.

⚠ DANGER

If you smell gas:

1. Shut off gas to the appliance.
2. Extinguish any open flame.
3. Open lid.
4. If odor continues, keep away from the appliance and immediately call your fire department.



Failure to follow these instructions could result in fire, explosion or burn hazard, which could cause property damage, personal injury or death.

⚠ DANGER

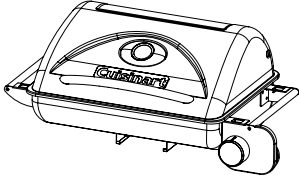
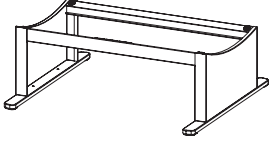
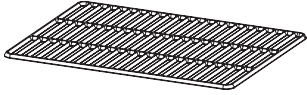
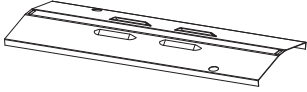
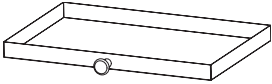
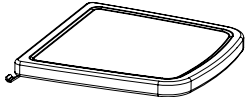
1. Never operate this appliance unattended.
2. Never operate this appliance within 10 feet (3.05m) of any other gas cylinder.
3. Never operate this appliance with 25 feet (7.5m) of any flammable liquid.
4. If a fire should occur, keep away from the appliance and immediately call your fire department. Do not attempt to extinguish an oil or grease fire with water.
5. Heated liquids remain at scalding temperatures long after the cooking process. Never touch cooking appliance until liquids have cooled to 115°F (45°C) or less.

Failure to follow these instructions could result in fire, explosion or burn hazard, which could cause property damage, personal injury or death.

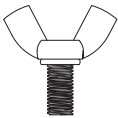



Table of Contents

1. Warnings and Safety Instructions	3
2. Illustrated Parts List	4
3. Exploded View	5
4. Assembly Instructions	6
5. Operating Your Grill	
5.1 Choosing a location for installation	7
5.2 Special Instructions for Use of Regulator and Cylinder	8
5.3 Installing the LP gas cylinder	8
5.4 Checking for Leaks	9
5.5 Lighting Instructions	9
5.6 Match lighting	10
5.7 Using the Grill	10
6. Care and Maintenance	10
7. Frequently Asked Questions	11
8. Troubleshooting	11
9. Warranty Program and Replacement Parts	12

2. Illustrated Parts List

1.		Lid & Firebox	1 pc
2.		Grill Leg Assembly	1 pc
3.		Cooking Grate	1 pc
4.		Flame Tamer	1 pc
5.		Drip Tray	1 pc
6.		Side Table Assembly	2 pcs

Hardware List

A.		Wing Nut Screw	2pcs
B.		Wing Nut	2 pcs
C.		Black Washer	6 pcs
D.		White Washer with Adhesive Tape	2 pcs

4. Assembly Instructions

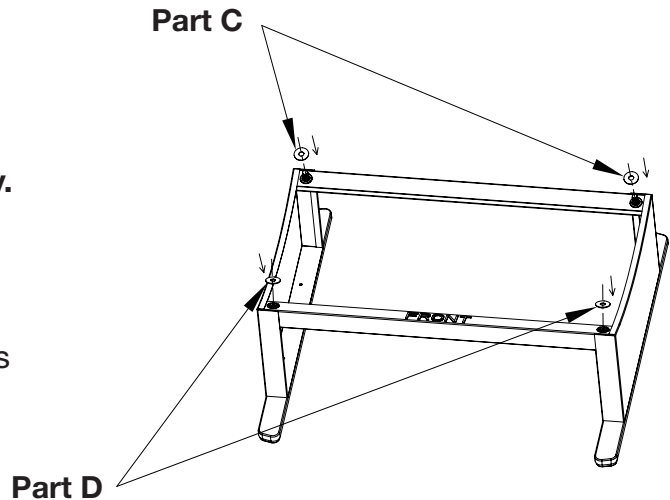
Remove all the contents from packaging, and make sure all parts are present before attempting to assemble!

Step 1:

Assemble washers on the grill leg assembly.

Place one Black Washer (Part C) over each of the two bolt posts on the rear of the Grill Leg Assembly (Part 2).

Remove tape backing from two White Washers (Part D) and place over the two holes on the front corners of the Grill Leg Assembly.



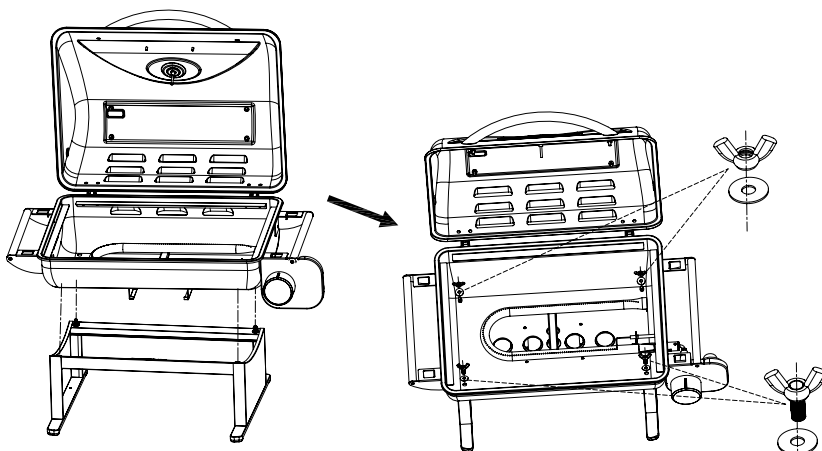
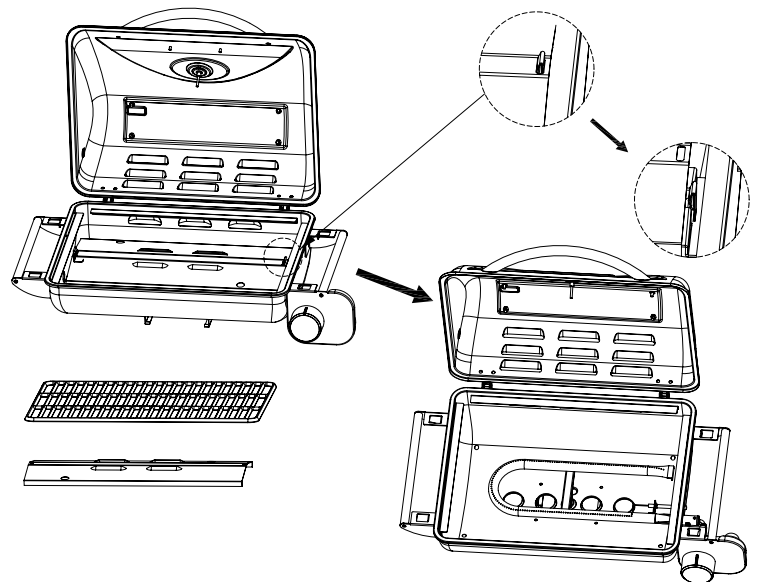
Step 2:

Remove Side Tables, Cooking Grate and Flame Tamer

Open the Grill Lid and remove the two Side Tables (Part 6) and the Cooking Grate (Part 3)

Remove Flame Tamer (Part 4) by removing the two cotter pins and lifting Flame Tamer off locking tabs.

This should allow visual location of 4 screw holes in the bottom corners of the Firebox Assembly.



Step 3:

Grill and Grill Leg Assembly

Line up the rear screw holes of the Lid and Firebox over the 2 bolt posts of the rear of the Grill Leg Assembly. Drop the Lid and Firebox onto the back posts and line up front screw holes. Do not add wing nuts.

Screw two Wing Nut Screws (Part A) with Black Washer (Part C) into the two front screw holes. Do not tighten completely.

Place one Wing Nut (Part B) with Black Washer (Part C) over each of the the rear bolt posts. Tighten Wing Nuts.

Tighten front Wing Nut Screws fully.

5. Operating Your Grill (cont.)

5.2 Special Instructions for the Use of Regulator and Propane Cylinder

A propane gas cylinder is required for operation. Use 1.00lbs(465g). propane cylinder.

This Cuisinart grill is equipped with a regulator having a CGA No.600 cylinder connection

- 1) Only cylinders marked "propane" must be used.
 - 2) The cylinders be disconnected when the appliances is not in use
 - 3) Do not store a spare LP-gas cylinder under or near this appliance;
 - 4) Never fill the cylinder beyond 80 percent full; and
 - 5) If the instructions in "-b12(a)" and "-b12(b)" are not followed exactly, a fire causing death or serious injury may occur.
- Propane cylinder size:D10cmXH20cm, Only cylinders marked "PROPANE" must be used.
 - The propane cylinder must be constructed and marked in accordance with the specification for LP-Gas cylinders of the U.S Department of Transportation (D.O.T) or the National standard of Canada, CAN/CSA-B339,Cylinders, spheres and Tubes for Transportation of Dangerous Goods.
 - Store spare fuel canisters in a well-ventilated area away from the grill.
 - Do not puncture or burn fuel canister.

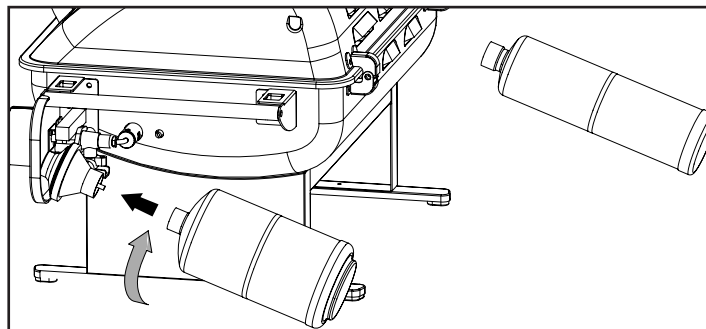
5.3 Installing the gas cylinder

(The propane gas cylinder is not provided with the appliance.)

A gas cylinder complying with the requirements listed in section 4.2 must be obtained before the grill can operate. Connect the LP cylinder to the grill outdoors only.

Read and follow all direction on the cylinder.

1. Turn the burner control knob to "OFF" position.
2. Remove the protective caps from the cylinder valve and coupling nut, if present.
3. Open grill lid and remove right side table for easier access to regulator assembly.



- If the grill is not in use, the control knob must be turned to the "OFF" position to shut off the gas flow from the cylinder.

REMOVAL OF THE GAS CYLINDER

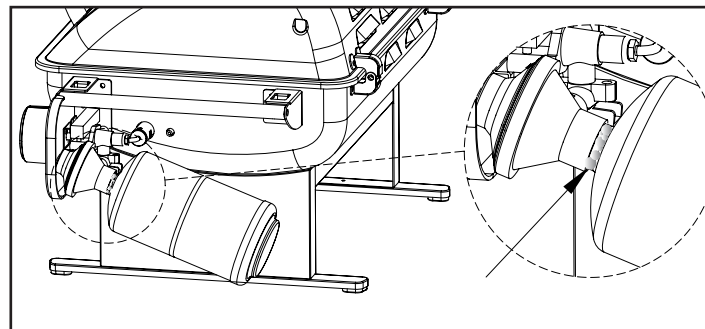
(please see the 5.3 Installing the gas cylinder) "picture"

- 1) Turn the burner control knob to "OFF" position.
 - 2) Grasp the grill handle nearest to the regulator with one hand, and turn the cylinder counterclockwise until it comes off.
- Do not store a spare propane cylinder under or near this grill. Never fill the cylinder beyond 80 percent full. If this instruction is not followed exactly, a fire causing death or serious injury may occur.
 - Save the cylinder cap and reinstall when not in use.
 - Cylinder supply system must be arranged for vapor withdrawal. Do not block the pressure relief valve during use or storage.
 - The cylinder be disconnected when the appliance is not in use.
- 1) Do not store a spare LP-gas cylinder under or near this appliance;
 - 2) Never fill the cylinder beyond 80 percent full; and
 - 3) If the instructions in "-b12(a)" and "-b12(b)" are not followed exactly, a fire causing death or serious injury may occur.

4. Grasp the grill handle nearest to the regulator with one hand, and with the other hand push the cylinder into the threaded regulator connector and turn clockwise until tight.
5. TIGHTEN BY HAND ONLY. Do not use tools.

REMOVAL OF THE GAS CYLINDER

1. Turn the burner control knob to "OFF" position.
2. Grasp the grill handle nearest to the regulator with one hand, and turn the cylinder counterclockwise until it comes off.



5. Operating Your Grill (cont.)

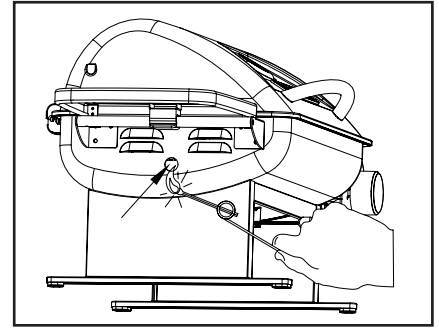
5.6 Match lighting

IMPORTANT!

A match lighting hole is located on the left side of the firebox.

Match lighting instructions:

1. Read all instructions before lighting.
2. Open lid during lighting.
3. Make sure the gas control knob is in "OFF" position.
4. Strike a long wooden match and position the burning match through the match lighting hole in the firebox bottom. Place the flame near the bottom edge of the burner.
5. Push down and turn the burner control knob counter-clockwise to the high setting.
6. The burner should light. The flame will carry around the burner. Allow grill to pre-heat with the grill lid closed for 2-3 minutes before cooking.



CAUTION:

Do not touch any hot grill parts. The outside of the grill bottom especially becomes very hot during use. Use protective gloves to handle any parts that might become hot during use.

5.7 Using the Grill

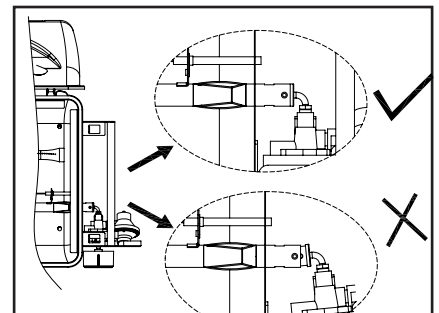
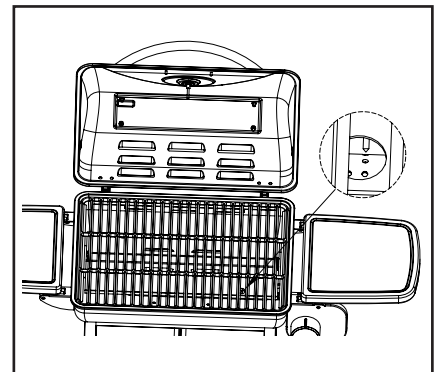
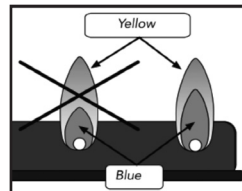
Inspect the burner flame by looking through the match lighting holes.

A good flame should be blue with some yellow tips coming from the burner holes. Yellow tips on flames up to 1/4" in height are acceptable as long as no carbon or soot deposits appear.

During operation, stand to side of grill when opening the grill lid.

Do not expose any part of your body directly above the cooking area.

The burner opening must be positioned properly over the valve orifices.



6. Care And Maintenance

6.1 Care

Regular care of your grill will help keep it operating properly. All maintenance should be done only when the grill is cool and with the fuel supply turned off. Occasionally inspect and tighten hardware that may become loose.

6.2 Cleaning The Venturi Tube

A spider's nest or wasp's mud inside the Venturi can block gas flow and can even cause a fire at the gas control valve. Such a fire can cause operator injury and serious damage to your grill.

To prevent insect related problems, inspect the Venturi tube screen cover regularly and remove any dirt.

WARNING!

Do not disassemble or alter the fuel supply system. Improper assembly can result in a hazardous condition. Seek qualified professional assistance if repairs are required.

BURNER WON'T LIGHT (USING 20LB. TANK WITH CONVERSION HOSE)

- Review all steps in LP bottle section above
- Ensure that LP tank supply valve is open (turned counterclockwise until stop)
- Ensure that the orifices at both ends of the conversion hose are not obstructed or damaged.
- Straighten sharp kinks in conversion hose

GRILL DOESN'T REACH HIGH ENOUGH TEMPERATURE (USING LP BOTTLE)

- Be sure LP bottle still has fuel in it by gently shaking it - there will be sounds of liquid inside if fuel remains.
- Check to see that the venturi tube air inlet screen is not covered or clogged (see users manual).
- Test gas system for leaks (see users manual)

GRILL DOESN'T REACH HIGH ENOUGH TEMPERATURE (USING 20LB LP TANK WITH CONVERSION HOSE)

Your LP tank has a safety device that is intended to reduce gas flow in the event of a leak. When this device is active, it is commonly called "bypass". This device can be inadvertently activated by not following proper lighting procedures. Should you experience low flame, you should do the following:

- 1) shut off grill
- 2) close tank valve fully
- 3) remove conversion hose to relieve pressure, then re-attach

Then, restart the grill (and start the grill each time) using the proper procedure:

- 1) ensure the grill fuel knob is turned to OFF
- 2) slowly open the gas tank valve fully. Turn tank knob about 1/4 turn every 10 seconds
- 3) WAIT 5 SECONDS
- 4) follow the grill lighting steps (printed on grill, and in owner's manual)

9. Warranty

This warranty covers defects in parts and workmanship for a period of 12 months from the original purchase date. Any damage claim regarding the enameling must be submitted within 30 days of purchase to be covered by the warranty.

The following conditions are NOT covered by this warranty:

- Unevenness and color variations in the enamel coating
- Damage caused by improper assembly or disregard of the manual.
- Use of spare parts not supplied by manufacturer.
- Damage resulting from modifications or inappropriate use.
- Abuse of the grill
- Damage caused by improper maintenance or repairs by an unauthorized person.

LIMITATIONS AND EXCLUSIONS:

1. This warranty applies only to the original purchaser and may not be transferred.
2. If you can not verify the purchase date of the grill the warranty period will begin on the date the grill was manufactured.
3. Replacement or repair parts are warranted for the remaining period of the original part warranty.

YOUR OBLIGATIONS:

This grill must be assembled, installed, operated and maintained in accordance with all applicable codes and the instruction manual furnished with this grill. You must keep an invoice, cancelled check or payment record to verify the purchase date of the grill.

For troubleshooting, FAQs or Customer Service, please visit us at www.cuisinartgrilling.com or contact us at 1-866-994-6390.

To order replacement grill parts or other Cuisinart Grilling products, please visit us at www.cuisinartgrilling.com or call 1-800-211-9604

Model #CGG-220

North American Distributor:

The Fulham Group

Newton, MA. 02460