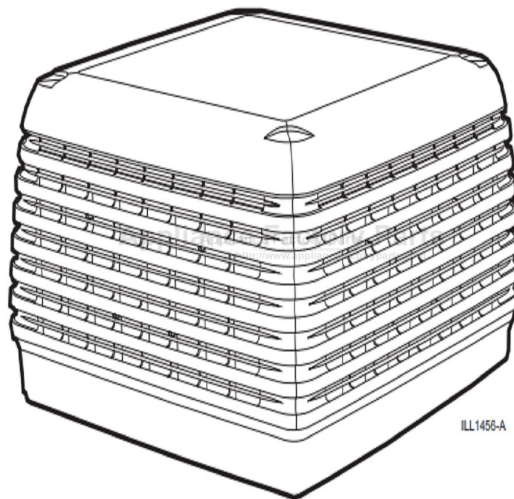


This Owner's Manual is provided and hosted by [Appliance Factory Parts](#).



# Breezair LCB250 Owner's Manual

[Shop genuine replacement parts for Breezair LCB250](#)



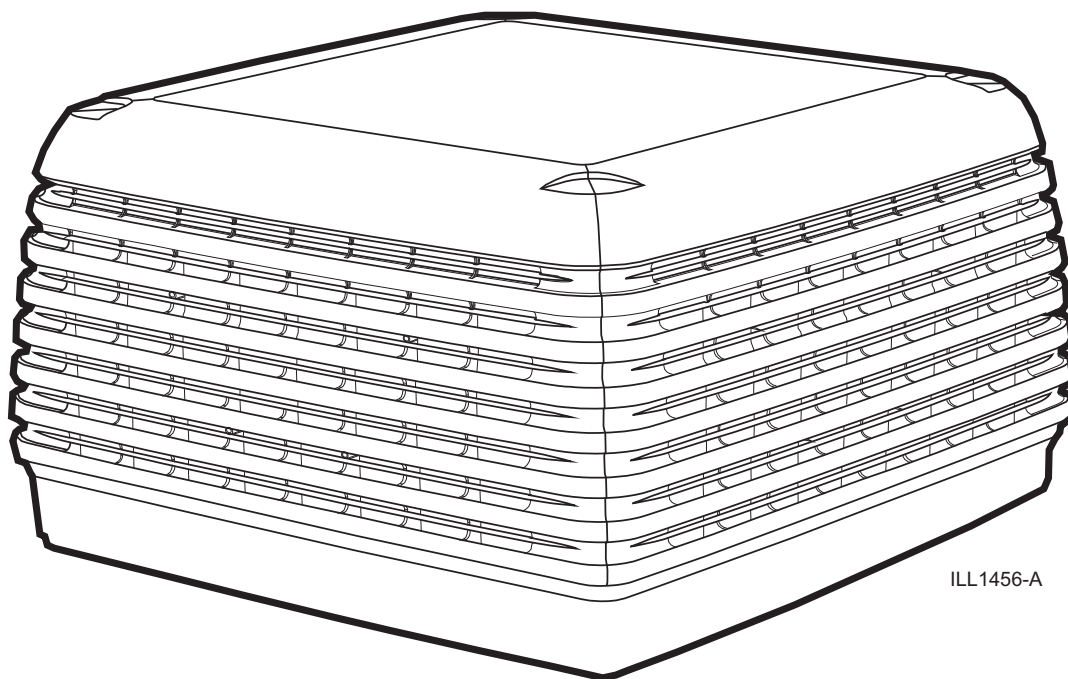
[Find Your Breezair Air Cleaner Parts - Select From 1 Models](#)

----- Manual continues below -----



# OWNER'S MANUAL

## Evaporative Cooler



ILL1456-A

(English) (LCB, CPL, BM)

**Braemar**<sup>®</sup>  
HEATING & COOLING

**coolair**<sup>®</sup>

|           |                                       |
|-----------|---------------------------------------|
| <b>2</b>  | <i>Introduction</i>                   |
| <b>3</b>  | <i>Wall Control Functions</i>         |
| <b>6</b>  | <i>Drain Valve &amp; Bleed System</i> |
| <b>7</b>  | <i>Maintenance</i>                    |
| <b>9</b>  | <i>Service Checklist</i>              |
| <b>10</b> | <i>Troubleshooting</i>                |

# INTRODUCTION

Congratulations on choosing a new Seeley International cooler for your home.

Your cooler is built from the highest quality materials and engineered to provide many years of economical, trouble free cooling.

Please take a few minutes to read these instructions so you have a full understanding of how to operate your cooler. Your installer should demonstrate the features and procedures set out in these instructions. The installer should also provide you with a Model and Serial number, which can be filled out on the last page.

**Keep these instructions in a safe place for future reference.**

This appliance is not intended for use by persons (including children) with reduced physical, sensory or mental capabilities, or lack of experience and knowledge, unless they have been given supervision or instruction concerning use of the appliance by a person responsible for their safety.

Children should be supervised to ensure that they do not play with the appliance.

## Effective cooling

To provide efficient cooling or ventilation the building must have sufficient exhaust openings to outdoors in the form of doors, windows or other vents. To assist air circulation, open windows or doors that are furthest from the outlet vent in each room. In every room that has an outlet vent, provide an exhaust opening about 2 or 2.5 times the vent size of the room. Where the design of the building prevents adequate exhaust, consideration should be given to the provision of mechanical extraction such as an exhaust fan.

Total minimum openings for the whole building are demonstrated by the following table:

| Cooler Models |        |         | Exhaust Opening   |
|---------------|--------|---------|-------------------|
| LCB250        | BM500  | CPL450  | 2.0m <sup>2</sup> |
| LCB350        | BM750  | CPL700  | 2.5m <sup>2</sup> |
| LCB450        | BM900  | CPL850  | 3.0m <sup>2</sup> |
| LCB550        | BM1150 | CPL1100 | 4.0m <sup>2</sup> |

Please note that an average size door is 1.5m<sup>2</sup>

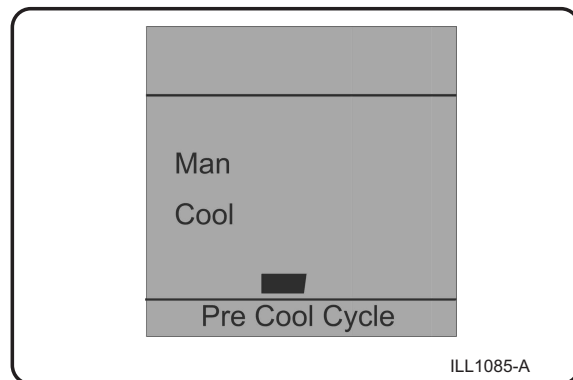
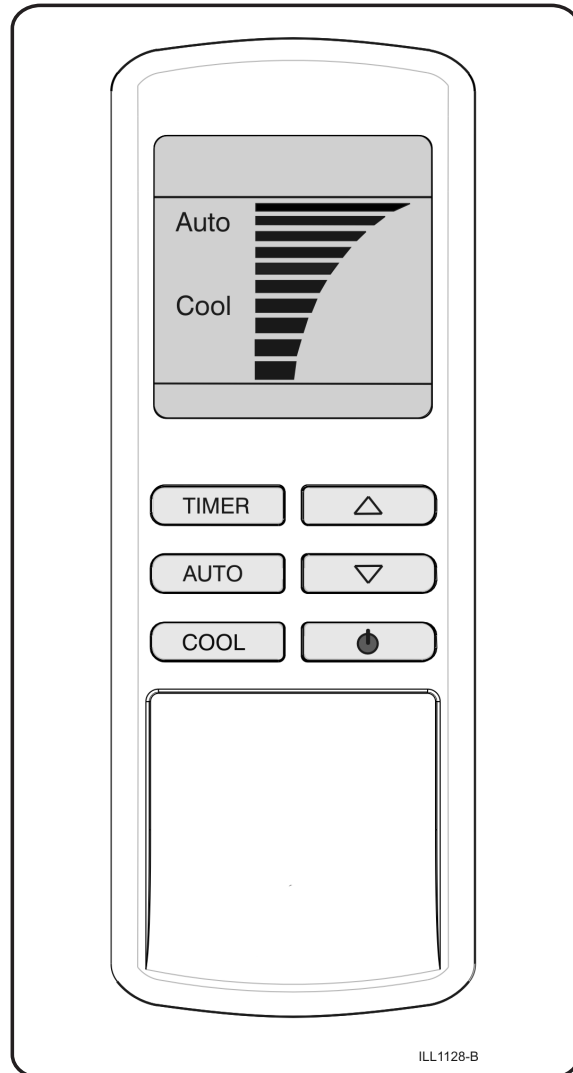
# WALL CONTROL FUNCTIONS

## Starting your cooler

The ON/OFF button turns the air cooler on and off.

There are two modes of operation to choose from, Automatic mode or Manual mode. When the air cooler is turned on, it will start in the mode of operation it was in when last turned off.

If your air cooler has not been operated for a while, then when you start it, "Pre Cool Cycle" may sometimes flash on the display as shown. This indicates that the water pump will operate to saturate the cooling pads for a few minutes before the fan is turned on. This is to ensure that when the fan starts, only cool air enters the building.



## WALL CONTROL FUNCTIONS - cont.

### Automatic mode

The AUTO button is used to select Automatic mode or Manual mode. When "Auto" is displayed the cooler is under Automatic control and will operate according to the temperature sensed at the wall control.

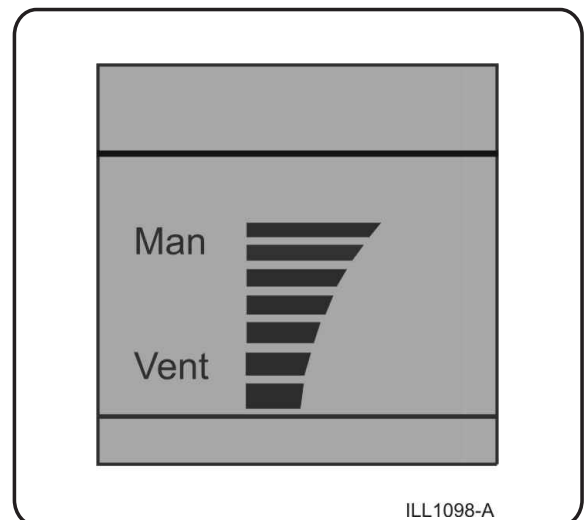
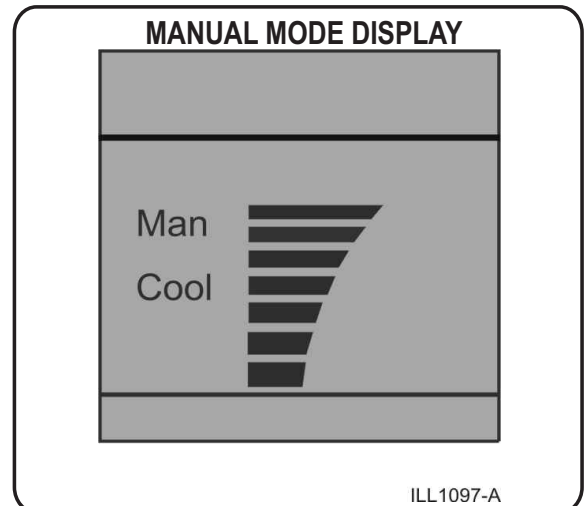
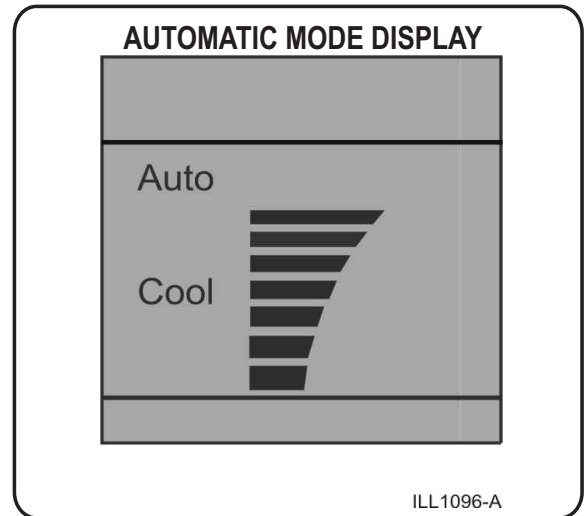
When the air cooler is turned on, it will read the temperature and set the cooler operation accordingly. If the temperature increases at the wall control, then the fan speed will increase. As the temperature decreases the fan speed will decrease until the cooler turns off.

Press ▲ or ▼ to override the automatic cooling level setting and adjust your room temperature.

### Manual mode

To switch to Manual mode, press AUTO until "Man" appears in the display. In Manual mode the cooling level can be manually adjusted. In Manual mode, press **COOL** to choose between circulating cool air or un-cooled air. When "Cool" is displayed, fresh cool air will circulate into the building. When "Vent" is displayed as shown, fresh un-cooled air will circulate through the building.

Press ▲ to increase the fan speed and circulate more air. Press ▼ to decrease the fan speed and circulate less air. Press once to change the speed by one increment. Hold the button down to change the speed more quickly.



## WALL CONTROL FUNCTIONS - cont.

### Timed automatic start

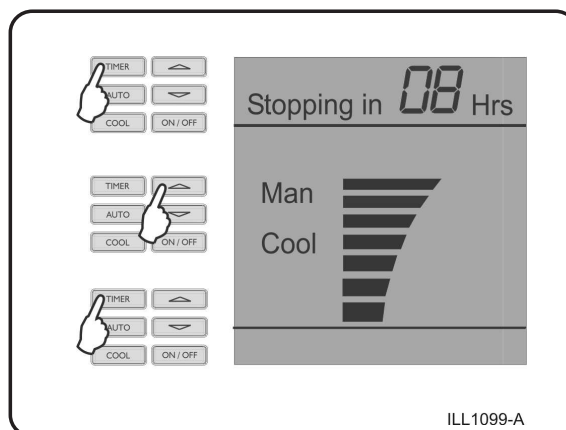
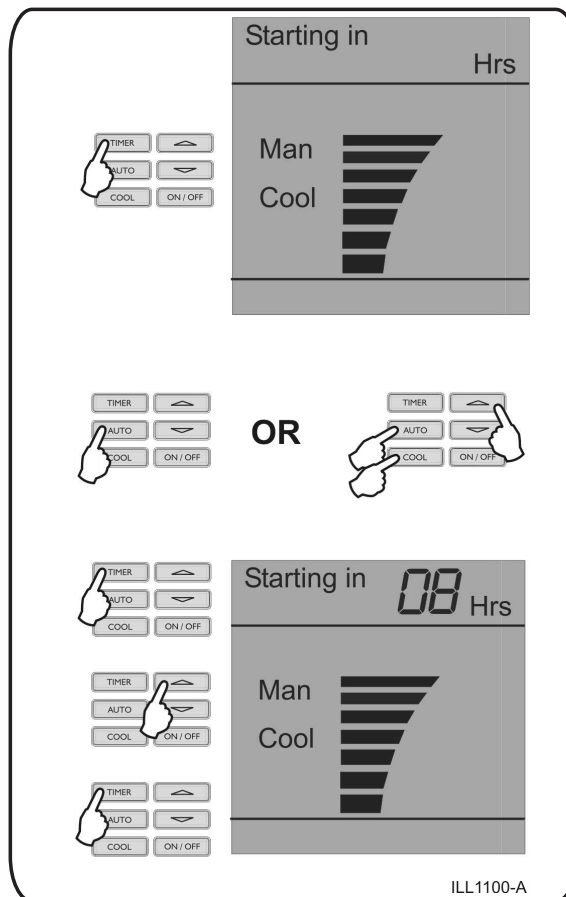
You can set the air cooler so that it will turn on after a set number of hours.

1. To set the delayed start time, press **TIMER** with the cooler turned OFF. "Starting in" will be displayed as shown with the last mode of operation (Manual or Automatic).
2. If you want the air cooler to turn on in Automatic mode with the previous settings, then press **AUTO** until "Auto" is displayed. Alternatively, if you want the air cooler to turn on in Manual mode, press **AUTO** until "Man" is displayed and then press **COOL** and then ▲ or ▼ to set the required fan speed.
3. To set the time until the start, press **TIMER**.
4. Then press ▲ or ▼ to adjust the time. The cooler can start up to 24 hours in advance.
5. Press **TIMER** again to initiate the timed automatic start. The timed start will not repeat.

### Timed automatic stop

You can also set the air cooler so that it will turn off after a set number of hours.

1. To set a delayed stop time, press **TIMER** with the cooler running. "Stopping in" will display.
2. Press ▲ or ▼ to adjust the number of hours before the air cooler will stop. The maximum delay setting is 24 hours.
3. Press **TIMER** again to begin the timed stop.



## WALL CONTROL FUNCTIONS - cont.

### Using the cooler

Now that you have read these instructions, press the **POWER** button to turn your air cooler on. If the air cooler has not operated for a while, "Pre Cool Cycle" will flash on the display. The "Pre Cool Cycle" will begin and will take only a few minutes to complete. After this time, the fan will come on automatically, and you can enjoy the comfort of cool fresh air!

### Air too cold

With the cooler running in Automatic mode, you may find that you are too cold or that the air cooler is blowing too much air. Press ▼ to lower the automatic temperature setting and reduce the amount of cooling.

If you are too cold with the cooler running in Manual mode, then press ▼ to reduce the fan speed. You can also circulate fresh un-cooled air by pressing **COOL** until "Vent" displays.

### Air not cold enough

You may find that with the air cooler running in Automatic mode, you are not cool enough. Simply press ▲ to increase the cooling rate. If you are not cool enough with the air cooler running in Manual mode, then press ▲ to increase the fan speed. Ensure that cooled air is circulating by pressing **COOL** until "Cool" displays.

**You can experiment with the settings on your wall control. This is the best way to get the most from your air cooler.**

## DRAIN VALVE & BLEED SYSTEM

This cooler comes with a continuous bleed system (Coolair CPL, Braemar BM) or automatic Drain Valve (standard for Braemar LCB, optional for Coolair CPL and Braemar BM).

### Continuous bleed system

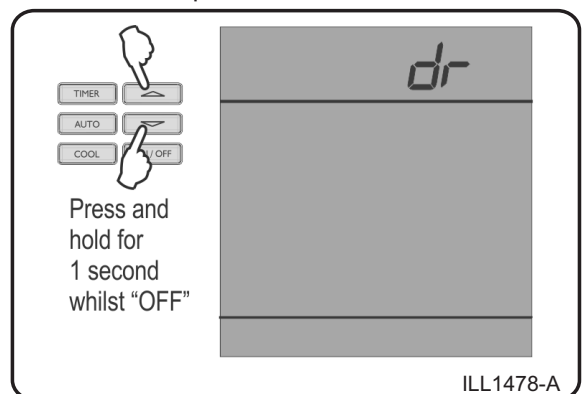
During operation, the bleed system will drain small amounts of water. This ensures fresh water is continually added to dilute salt accumulation in the water caused through evaporation. This helps keep the air cooler in good condition and ensure optimum performance. The bleed rate will depend on local operating conditions and will be set by the installer.

### Automatic drain valve

If the drain valve was installed instead of the continuous bleed system then your cooler will automatically drain periodically. This ensures the water is always fresh and helps maintain your cooler in good condition to ensure optimum cooling performance. The frequency of the automatic drain may have been adjusted by your installer according to the general water quality in your area.

When the cooler is turned off for 72 hours, the drain valve will open automatically and empty water from the cooler. When the cooler is turned on again, fan operation will delay for a few minutes while the tank refills and the cooling pads are saturated again.

At any time when the thermostat is OFF, you can drain the cooler by pressing and holding ▲ and ▼ for 1 second. The display will show "dr" to confirm the operation has activated.



## MAINTENANCE

Seasonal maintenance is only required if you have a cooler fitted with a bleed system. The following pages outline the maintenance required at the end of the season and then at the start of the next season. This ensures that your cooler continues to operate efficiently.

If your cooler is fitted with a drain valve no seasonal maintenance is required. However, we require that the following components and the operation thereof, be checked after the first year, then every 2 years as routine maintenance.

- (1)..... Pump.
- (2)..... Drain Valve.
- (3)..... Solenoid and associated filter.
- (4)..... Fan motor operation and current.
- (5)..... Float valve.

**Routine maintenance may be required more frequently in adverse environmental situations or where the appliance is installed in non-domestic applications.**

Regular maintenance is essential to ensure the cooler operates efficiently for many years. Services must be performed before and after the summer season. More frequent servicing may be required in dusty conditions or in areas with poor water quality. It is important to note that all evaporative coolers have components that may need periodic replacement (eg. filter pads, hoses, o-rings etc).

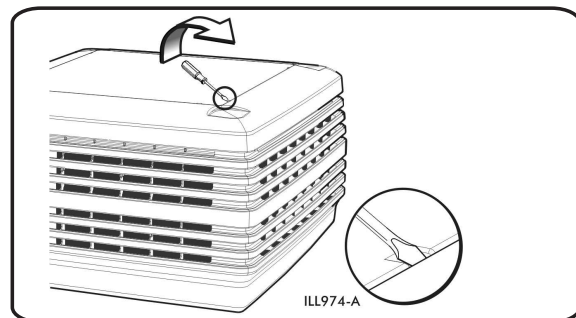
**WARNING: We recommend maintenance is carried out by an authorised service agent. Climbing onto the roof is hazardous and can result in personal injury or property damage. Failure to carry out maintenance will affect your warranty coverage.**

### Health regulations

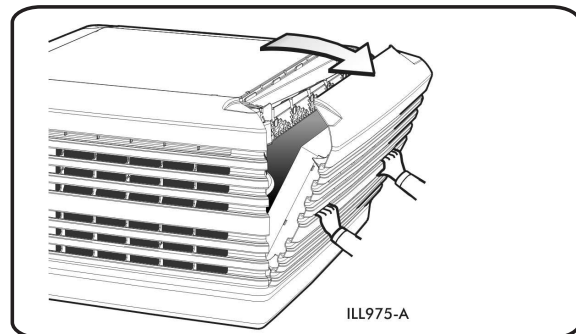
Note that some regulating authorities require services to be conducted at specific intervals.

### Removal of pad frames

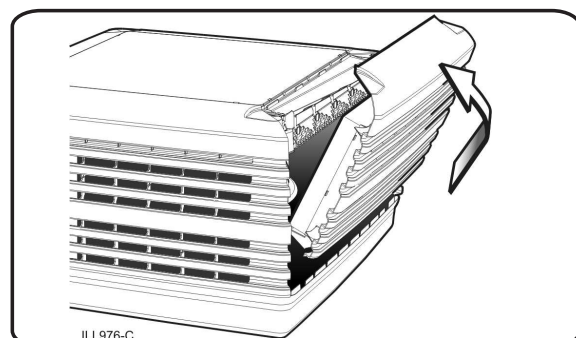
To remove a pad frame, insert a flat screw driver tip into the slot as shown and lever until disengagement occurs.



Take hold of the pad frame and pull it towards you until the internal side clips disengage.



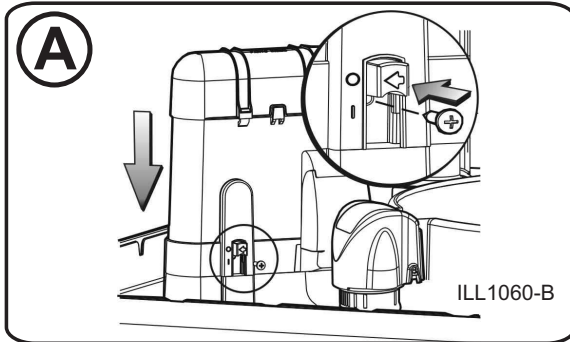
Pivot the pad frame outwards and lift up. Take care not to damage the pad. Repeat these steps for the remaining pad frames.



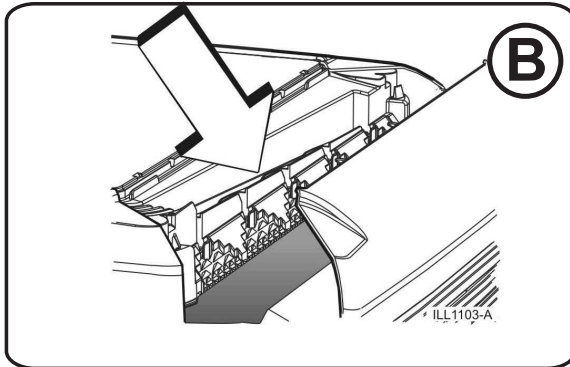
## MAINTENANCE - cont.

### End of season service

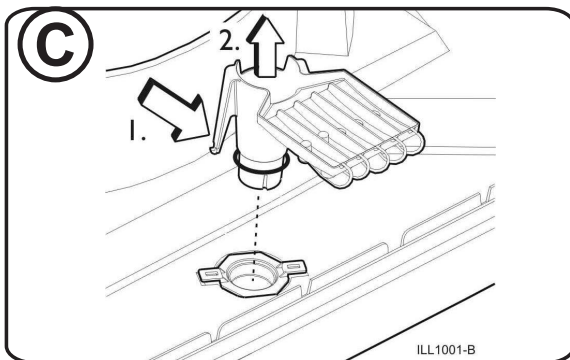
- Turn off the power supply to the cooler.
- External inspection
  - 1 Inspect the external cabinet for any damage or deterioration.
  - 2 Inspect the dropper duct, flashing etc. for signs of corrosion
  - 3 Check water supply valve for correct operation and leakage.
- Turn off the water supply to the cooler.
- Remove the pad frames as shown.
- A. Turn off the power switch in the cooler.



- B. Check and clean the lid water channels.



- C. If fitted, first unclip and then remove the bleed system as shown. Allow the tank water to drain. Do not lose the o-ring.



- Thoroughly clean the tank and pump filter.
- Do not replace the bleed system. (If a Drain Valve is fitted it will automatically drain.) Any time the thermostat is OFF, you can drain the cooler by pressing and holding ▲ and ▼ for 1 second. The display will show "dr" to confirm the operation has activated.
- Re-fit the pad frames.

### Pre-season service



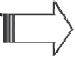

- Turn off the power supply to the cooler
- Repeat external inspections as per End of Season Service.
- Remove the pad frames as shown.
- Ensure the power switch in the cooler is off.
- Gently wash the pads to remove any dust build up during the winter period. If the pads are in poor condition, replace them.
- **IMPORTANT: Do not damage the pads with high pressure water spray.**
- Inspect pad retention pins and washers for damage and that they are securely fitted.
- Replace the bleed system if it was removed during previous maintenance and ensure the o-ring is fitted. (If the cooler is fitted with a drain valve this will not be necessary as it will automatically close when the cooler turns on).
- Check the fan motor, mounts and blades for damage.
- Check electrical isolation switch operates correctly.
- Turn on the power switch inside the cooler.
- Turn on the water and then the power to the cooler
- Check float valve operation.
- Check water pump operation.
- Re-fit the pad frames and run the cooler. Check the pads are wetting evenly.
- Check there are no water leaks either internally or external to the cooler.
- Check Drain Valve/Bleed Funnel operation.
- Check Wall Control operation.
  - 1 Manual and Auto modes
  - 2 Speed Control
  - 3 Display Panel.

# ROUTINE MAINTENANCE SERVICE SCHEDULE CHECKLIST

| Service Item   | Check/adjust |   |   |   |   | Clean |   |   |   |   | Replace |   |   |   |   |
|--|--------------|---|---|---|---|-------|---|---|---|---|---------|---|---|---|---|
|  | 1            | 2 | 3 | 4 | 5 | 1     | 2 | 3 | 4 | 5 | 1       | 2 | 3 | 4 | 5 |
| <b>Water Distribution System</b>   |              |   |   |   |   |       |   |   |   |   |         |   |   |   |   |
| Chillcel pads (replace as required)  |              |   |   |   |   |       |   |   |   |   |         |   |   |   |   |
| Pad retaining washers / pins   |              |   |   |   |   |       |   |   |   |   |         |   |   |   |   |
| Base / water reservoir   |              |   |   |   |   |       |   |   |   |   |         |   |   |   |   |
| Pump filter basket   |              |   |   |   |   |       |   |   |   |   |         |   |   |   |   |
| Water probes   |              |   |   |   |   |       |   |   |   |   |         |   |   |   |   |
| Water distribution system  |              |   |   |   |   |       |   |   |   |   |         |   |   |   |   |
| Washers, seals and O-rings (replace as required)   |              |   |   |   |   |       |   |   |   |   |         |   |   |   |   |
| Drain operation  |              |   |   |   |   |       |   |   |   |   |         |   |   |   |   |
| Bleed rate set (where required)  |              |   |   |   |   |       |   |   |   |   |         |   |   |   |   |
| <b>Component Function</b>  |              |   |   |   |   |       |   |   |   |   |         |   |   |   |   |
| Pump operation   |              |   |   |   |   |       |   |   |   |   |         |   |   |   |   |
| Drain valve operation  |              |   |   |   |   |       |   |   |   |   |         |   |   |   |   |
| Motor operation (set motor amps where required)  |              |   |   |   |   |       |   |   |   |   |         |   |   |   |   |
| Solenoid operation   |              |   |   |   |   |       |   |   |   |   |         |   |   |   |   |
| Wall control operation   |              |   |   |   |   |       |   |   |   |   |         |   |   |   |   |
| <b>General Operation</b>   |              |   |   |   |   |       |   |   |   |   |         |   |   |   |   |
| Water level set point  |              |   |   |   |   |       |   |   |   |   |         |   |   |   |   |
| Water fill time  |              |   |   |   |   |       |   |   |   |   |         |   |   |   |   |
| Water drain time   |              |   |   |   |   |       |   |   |   |   |         |   |   |   |   |
| Water distribution across pads (no dry spots)  |              |   |   |   |   |       |   |   |   |   |         |   |   |   |   |
| Airflow through system / outlets   |              |   |   |   |   |       |   |   |   |   |         |   |   |   |   |
| General product condition<br><small>(includes correct fitting of all components and items - replace as required)</small> |              |   |   |   |   |       |   |   |   |   |         |   |   |   |   |

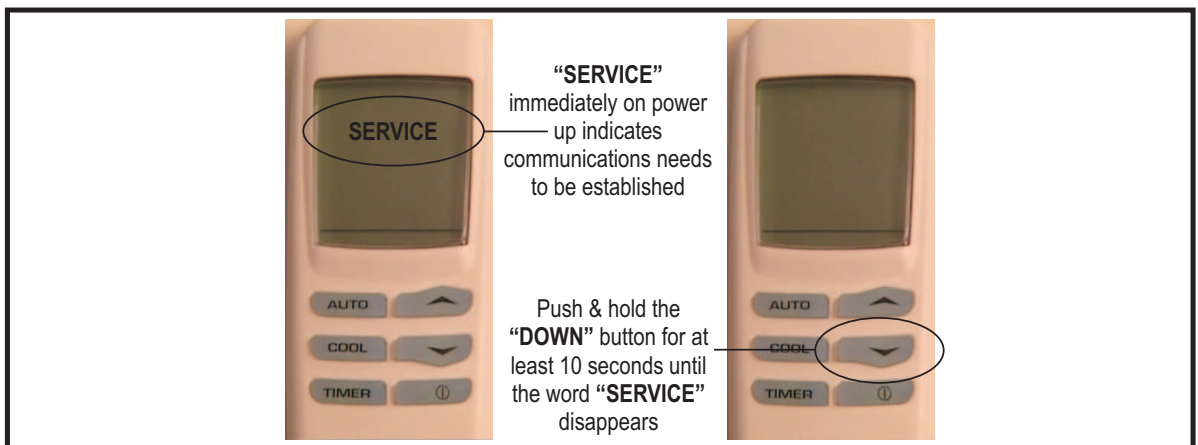
| Service No | Service Date | Service Technician | Service Company |
|------------|--------------|--------------------|-----------------|
| No 1       | .....        | .....              | .....           |
| No 2       | .....        | .....              | .....           |
| No 3       | .....        | .....              | .....           |
| No 4       | .....        | .....              | .....           |
| No 5       | .....        | .....              | .....           |

## TROUBLE-SHOOTING GUIDE

| PROBLEM – Unpleasant Odour  |   |
|---|---|
| CAUSE   | ACTION  |
| 1. Odour from new pads.                                        | Allow time to condition by running the air cooler. Drain the water, then allow the tank to re-fill.   |
| PROBLEM – Inadequate Cooling  |   |
| CAUSE   | ACTION  |
| 1. Dry pads.   | Check water flow to pads.<br>Inspect fitment of distributor cap.<br>Check for blocked or kinked hose. If blocked, dismantle, clean and flush or un-kink the hose. |
| 2. Insufficient exhaust openings for conditioned air.          | Ensure sufficient openings. Refer to chart on Pg. 2   |
| 3. Excessive ambient humidity (See also Insufficient exhaust)  | On days where the ambient humidity is high, the cooler will not reduce the temperature as much as on drier days.  |

If your wall control displays SERVICE or should you consider that your cooler requires service, contact your local Dealer or the Service number on the back of this manual.

**Note!** If on initial start up the word “Service” appears on the controller and by pushing the on/off button nothing happens, then you will need to establish communication between the wall control and the electronic controller. Simply push and hold the “DOWN” button for approx. 10 seconds or until the word “Service” disappears. If by pushing the on/off button a number appears, contact your local Dealer or the Service number on the back of this manual.



**When you contact your Dealer regarding service  
or warranty please quote the cooler model  
number and serial number as shown below.**

Affix serial & model  
number sticker here

It is the policy of Seeley International to introduce continual  
product improvement. Accordingly, specifications are  
subject to change without notice. Please consult with your  
dealer to confirm the specifications of the model selected.



**Warranty Service**  
Australia 1-300-650-644  
[seeleyinternational.com](http://seeleyinternational.com)

**Braemar**<sup>®</sup>  
HEATING COOLING

**coolair**<sup>®</sup>

[seeleyinternational.com](http://seeleyinternational.com)

834955-F

AU 0112