

This Owner's Manual is provided and hosted by [Appliance Factory Parts](#).



MASTERCOOL L900790A Owner's Manual

[Shop genuine replacement parts for MASTERCOOL
L900790A](#)



[Find Your MASTERCOOL Evaporative Cooler Parts - Select From 135 Models](#)

----- Manual continues below -----



CLEAN & ECONOMICAL EVAPORATIVE COOLERS

The Smart, All-Natural Cooling Solution for the Environmentally & Energy Conscious.

Cooler, Cleaner ... Better.

Features

COOLING PAD – MasterCool pads for maximum cooling efficiency. 12" for HC Series or 8" for MC Series.

POLYBOND FINISH – The finest powder coated metal with the strength of encapsulated steel in a durable polyester epoxy finish for maximum life.

CLEANMACHINE® – Saves water and keeps cooler cleaner by automatically flushing old water every six

hours of continuous cooler use to reduce mineral build-up, conserve water (up to 3,000 gallons per month compared to bleed-off), and extend pad life.

WARRANTY – 10-year limited warranty.

MOTOR (Sold Separately) – MasterCool motors are all-copper wound designed specifically for MasterCool to run longer and cooler than any other evaporative cooler motor. To ensure optimum performance, motors are sold separately to allow selection of the appropriate size motor for the space. Detailed recommendations are available on the packaging.



America's evaporative cooling choice for years, MasterCool® is second-to-none. Leading the industry in providing solutions to the problems associated with conventional aspen-pad coolers, MasterCool II is the smart choice. Featuring a sleek, low profile design, a single long lasting, high-efficiency pad for low maintenance, cooling power and money savings, is an affordable product with premium performance. Designed for the environmentally

and energy conscious, MasterCool uses nature's refrigerant, water, to cool. Unlike air conditioners, which use chemical refrigerants, most containing environmentally damaging CFCs, MasterCool cools naturally ... through the evaporation of water. Built to last, MasterCool uses the finest motors and pumps available. The efficiency of MasterCool products means all natural, cool, clean comfort and lower energy bills.

COOL, CLEAN COMFORT ... NATURALLY.



MC Series

The advanced, single-inlet cooler that offers:
 Colder air than conventional aspen-pad coolers.
 The original MasterCool pad can save up to 75% off the cost of traditional air conditioning.

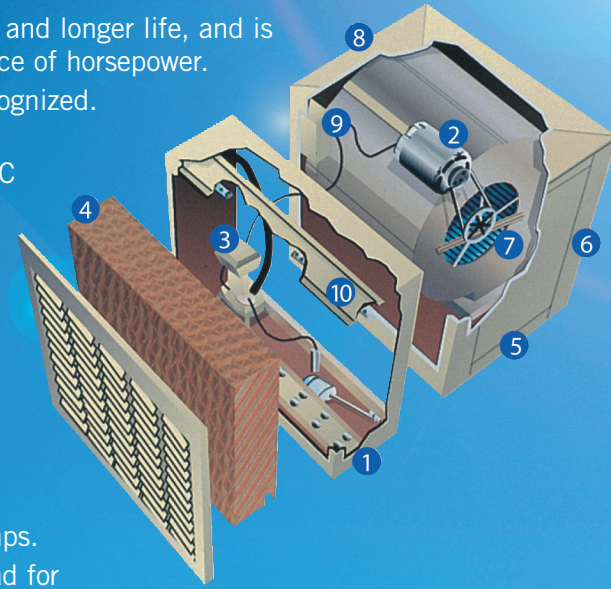


HC Series

All the benefits of the original MasterCool with these added benefits:
 Up to 5 degrees colder air.
 The 12" thick MasterCool pad is the ideal solution for larger homes, providing greater cooling capacity and commercial-grade components for longer life.

MASTERCOOL® ADVANTAGES

- 10-Year Limited Warranty** against leakage due to rust-out of the cabinet.
- The MasterCool Motor** has all-copper windings for increased reliability and longer life, and is backed by a 2-year warranty. Most are sold separately to allow a choice of horsepower.
- High-Capacity Pumps** are thermally protected, grounded and U.L. Recognized. Upgraded with our new, tough electric motor and a 2-year warranty.
- MasterCool® Pad** for long life and consistent efficiency. 8" thick on MC Series and 12" thick on High performance HC Series. Unique design for easier cleaning and longer life. 5-year structural warranty.
- Dry Module** keeps blower and motor dry and away from the water and air cooling section.
- Low Profile** is up to one foot shorter than conventional coolers.
- Dynamically Balanced Blower Wheel** with positive locking system for long and quiet performance.
- POLYBOND Finish** that combines the corrosive protection and ease of cleaning of plastic with the strength of steel.
- Junction Box** for easy plug-in of either 120V or 240V motors and pumps.
- High Capacity Water Distribution System** assures even wetting of the pad for maximum efficiency. Field proven for over 10 years.



Specifications

Model Number	Motor HP	Motor Kit	Cabinet			Duct Opening	Shipping Weight	Operating Weight	Industry Std. CFM Rating*
			H	W	D				
MasterCool - MC Series									
MC43/44	½	971J	27¼	42	43	17¼ x 17¼	135	185	4200
MC43/44	¾	972J	27¼	42	43	17¼ x 17¼	135	185	4800
MC63/64	¾	972J	32¼	42	43	19¼ x 19¼	190	250	5500
MC63/64	1	940J	32¼	42	43	19¼ x 19¼	190	250	6500
MasterCool High Performance - HC Series									
HC43/44	½	971J	27¼	42	47	17¼ x 17¼	150	215	4200
HC43/44	¾	972J	27¼	42	47	17¼ x 17¼	150	215	4800
HC63/64	¾	972J	32¼	42	47	19¼ x 19¼	210	295	5500
HC63/64	1	940J	32¼	42	47	19¼ x 19¼	210	295	6500

*Industry Standard rating represents a numerical index for use in comparing units of different manufacturers.

MC43, HC43, MC63, and HC63 are down discharge.
 MC44, HC44, MC64, and HC64 are side discharge.

Select your model and horsepower from the chart on the left, then select the correct MasterCool motor below.

Kit Includes Motor, Sheave & Cord*	½ HP	¾ HP	1HP
120 Volt Motors	971J	972J	940J
240 Volt Motors	973J	974J	941J

*purchase kits separately from coolers

	Model Number	Motor HP	Motor Kit	Industry Standard CFM Rating	Certified Air Delivery CFM (cubic feet per minute)					
					Inches static pressure w.g. (water guage)					
					0.0	0.1	0.2	0.3	0.4	0.5
8"	MC43	½	971J	4200	3188	2980	2815	2586	2304	2082
	Thick MC44	¾	972J	4800	3765	2560	3333	3154	2942	2660
	Media MC63	¾	972J	5500	4127	3985	3781	3574	3288	2958
	MC64	1	940J	6500	4544	4368	4206	4050	3841	3580
12"	HC43	½	971J	4200	3080	2128	2582	2330	2244	2150
	Thick HC44	¾	972J	4800	3522	3300	3070	2845	2670	2580
	Media HC63	¾	972J	5500	3994	3860	3646	3285	3049	2910
	HC64	1	940J	6500	4395	4277	4111	3865	3502	3342

The world leader in evaporative cooling technology, AdobeAir, Inc. is continually involved in the process of product improvement. AdobeAir, Inc. therefore reserves the right to change specifications and/or design without prior notice. To obtain the most current product information and/or specifications, visit the AdobeAir, Inc. web site at www.AdobeAir.com.

1450 E. Grant Street
 Phoenix, Arizona 85034
 877-595-EVAP (3827)



L900790A March 2007