

This Owner's Manual is provided and hosted by [Appliance Factory Parts](#).



CUISINART BG036-J Owner's Manual

[Shop genuine replacement parts for CUISINART
BG036-J](#)



[Find Your CUISINART Grill Parts - Select From 152 Models](#)

----- Manual continues below -----

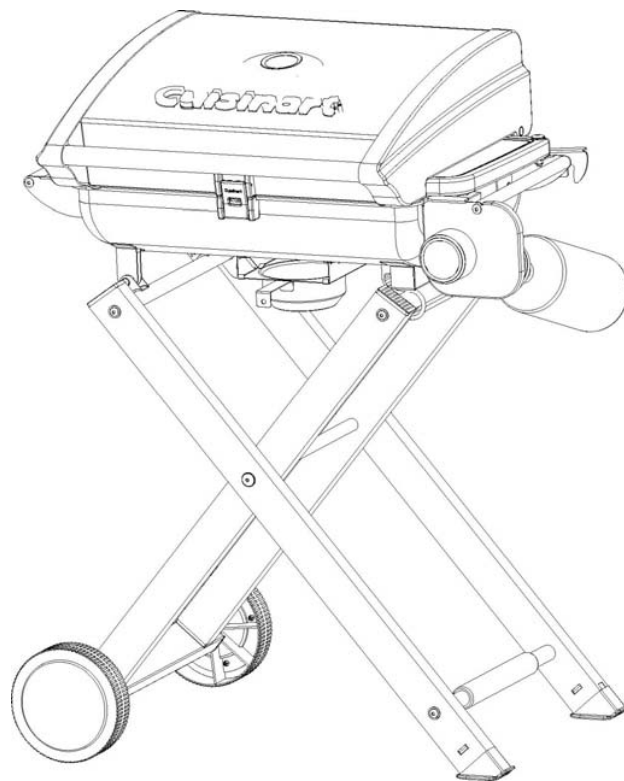
Cuisinart®

PORTABLE UPRIGHT GAS GRILL

OWNER'S MANUAL

ASSEMBLY AND OPERATING INSTRUCTIONS
SAVE THIS MANUAL FOR FUTURE REFERENCE
1 YEAR LIMITED WARRANTY

MODEL# BG036-J
CTC PRODUCT # 085-3231-0



STOP!

Should you encounter a problem with your new

Cuisinart Grill, CALL US FIRST!

Do not return the product to the store.

WE CAN HELP: 1-877-214-1683

CUISINART

PORTABLE LP GAS GRILL

MODEL: BG036-J

ASSEMBLY AND OPERATING INSTRUCTIONS



WARNING: FOR OUTDOOR USE ONLY

- ⚠ This instruction manual contains important information necessary for the proper assembly and safe use of the appliance
- ⚠ Read and follow all warnings and instructions before assembling and using the appliance
- ⚠ Follow all warnings and instructions when using the appliance
- ⚠ Keep this manual for future reference

Note to installer: Leave this Owner's Manual with the consumer after delivery and/or installation.

Note to customer: Leave this Owner's Manual in a convenient place for future reference.



DANGER

1. Do not store or use gasoline or other flammable liquids or vapours in the vicinity of this or any other appliance.
2. Do not store an LP tank not connected for use in the vicinity of this or any other appliance.



DANGER

If you smell gas:

1. Shut off gas to the appliance.
2. Extinguish any open flame.
3. Open lid.
4. If odour continues, keep away from the appliance and immediately call your fire department.

Failure to follow these instructions could result in fire, explosion or burn hazard, which could cause property damage, personal injury or death.



DANGER

1. Never leave this appliance unattended while operational.
2. Never operate this appliance within 10 ft (3.0 m) of any structure, combustible material or other gas cylinder.
3. Never operate this appliance within 25 feet (7.5 m) of any flammable liquid.
4. If a fire should occur, keep away from the appliance and immediately call the fire department. Do not attempt to extinguish oil or grease fire with water.
5. Heated liquids remain at scalding temperatures long after the cooking process. Never touch cooking appliance until liquids have cooled to 115°F (45°C) or less.

Failure to follow these instructions could result in fire, explosion or burn hazard, which could cause property damage, personal injury or death.

Content

1. Warnings and Safety Instructions.....	1
2. Illustrated Parts List	2
3. Exploded Diagram.....	3
4. Assembly Instructions.....	5
4.1 Folding steps of trolley.....	8
5. Operating your grill	
5.1 Choosing a location for installation.....;	10
5.2 Special Instructions for Use of Regulator and Cylinder.....	10
5.3 Installing the LP gas cylinder.....	11
5.4 Checking for Leaks.....	11
5.5 Lighting Instructions.....	12
5.6 Match lighting.....	12
5.7 Using the Grill.....	13
6. Care and Maintenance.....	14
7. Warranty Program and Replacement Parts.....	15

1. Warnings and Safety Instructions

If these instructions are ignored, there is a possibility of a hazardous fire or explosion which could result in physical injury or property damage! It is your responsibility to assemble, operate and maintain your gas grill properly.


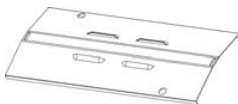
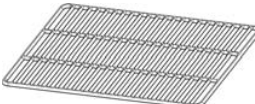





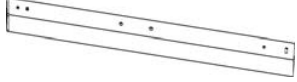



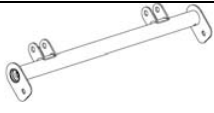


Read all warnings and instructions prior to assembling and operating your grill

WARNINGS:

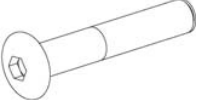
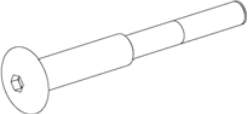
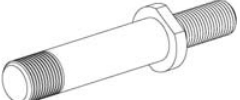
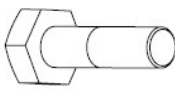
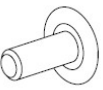






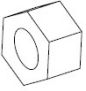
- ⚠ This grill is for outdoor use only. It should NOT be used in a building, garage or any other enclosed area.
- ⚠ The use of alcohol, prescription or non-prescription drugs may impair an individual's ability to properly assemble or safely operate this appliance.
- ⚠ Do not leave grill unattended. Keep children and pets away from grill at all times.
- ⚠ Do not use grill in high wind.
- ⚠ Grill must be used with propane gas only. Liquid propane is not natural gas. The attempted conversion or use of natural gas in a liquid propane grill is dangerous and will void your warranty.
- ⚠ Do not attempt to attach grill to the self-contained propane system of a camper, trailer, motor home or house.
- ⚠ Do not use charcoal or lighter fluid.
- ⚠ Do not use gasoline, kerosene or alcohol for lighting. LP gas tank must be constructed and marked in accordance with the specifications for propane gas tanks as stipulated by the U.S. Department of Transportation (DOT).
- ⚠ Do not attempt to move grill when in use.
- ⚠ Do not use grill unless it is COMPLETELY assembled and all parts are securely fastened and tightened. If there are any missing or damaged parts, contact customer service for a replacement.
- ⚠ Do not alter grill in any manner.
- ⚠ Do not operate grill if there is a gas leak present.
- ⚠ The use and installation of this product must conform to local codes. In the absence of local codes, use the National Fuel Gas Code: ANSI Z223.1/NFPA54, Storage and Handling of Liquefied Petroleum Gases, ANSI/NFPA 58 or Natural Gas and Propane Installation Code, CSA B149.1, Propane Storage and Handling, CSA B149.2.
- ⚠ This appliance is not intended for use in or on a boat or recreational vehicle.
- ⚠ Place grill with back and sides at least 24 inches (61 cm) from any combustible or non-combustible materials or construction.
- ⚠ Keep appliance area clear and free from combustible materials, gasoline and other flammable vapours and liquids.
- ⚠ When cooking with oil or grease, have a type BC or ABC fire extinguisher readily available. In the event of an oil or grease fire do not attempt to extinguish with water. Immediately call the fire department. A type BC or ABC fire extinguisher may, in some circumstances contain the fire.
- ⚠ Do not use appliance under unprotected overhead combustible construction.
- ⚠ This appliance is not intended for and should never be used as a heater.

- ⚠ This appliance will be hot during and after use. Use insulated oven mitts or gloves for protection from hot surfaces or splatter from cooking liquids.
- ⚠ This appliance is not intended for commercial use.
- ⚠ The pressure regulator supplied with the Cuisinart Gas Grill must be used.

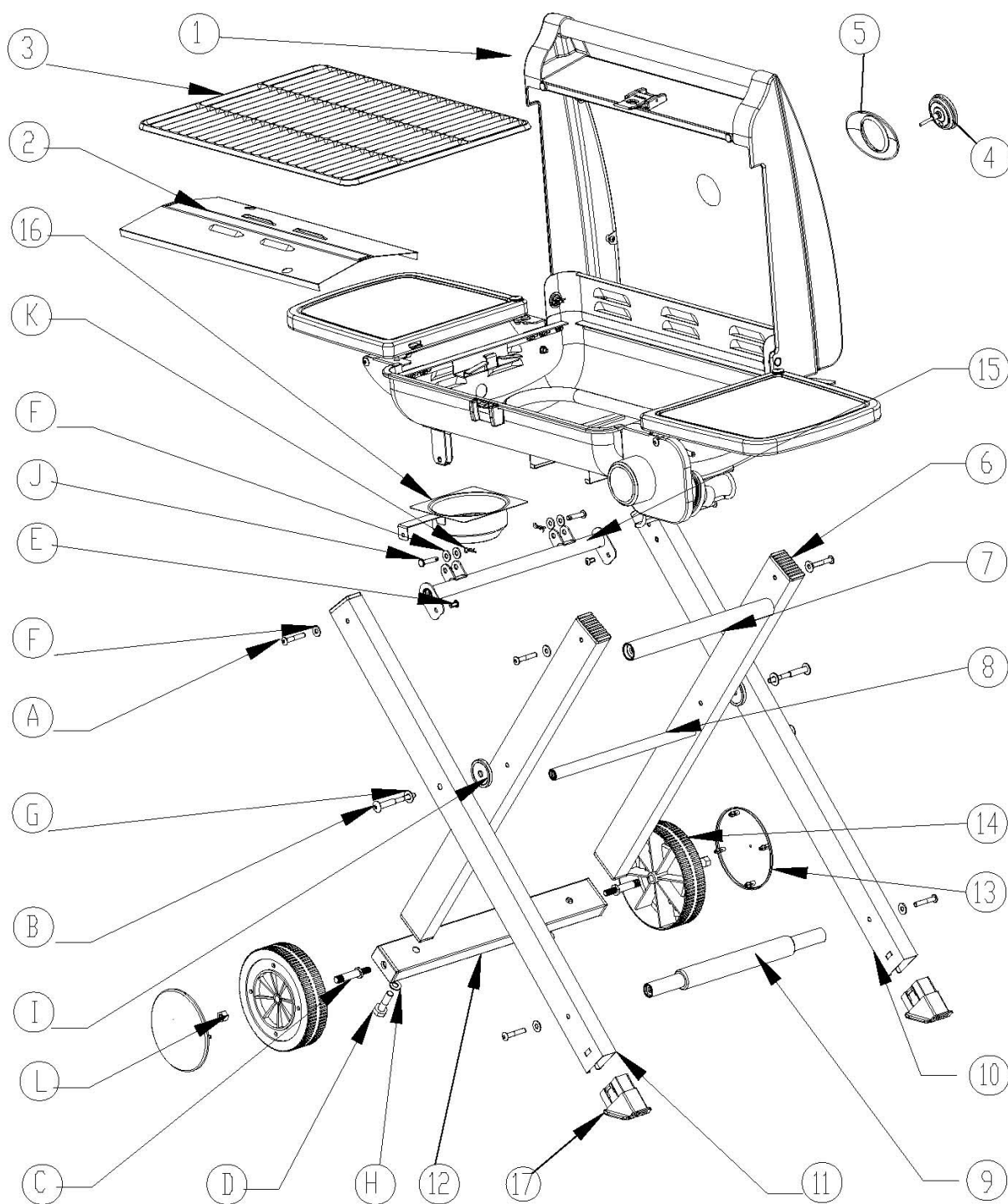
2. Illustrated Parts List

①. Grill body 1 pc 	②. Flame Tamer 1 pc 	③. Grid 1 pc 	④. Short leg assembly 2 pc 
⑤. Right-up horizontal tube assembly 1 pc  ∅25X258	⑥. Mid tube assembly 1 pc  ∅16X258	⑦. Handle assembly 1 pc 	⑧. Long leg assembly (right) 1 pc 
⑨. Long leg assembly (left) 1 pc 	⑩. Wheel tube assembly 1 pc 	⑪. Wheel cover 2 pcS 	⑫. Wheel 2 pcS 
⑬. Left-up tube assembly 1 pc 	⑭. Grease cup 1 pc 	⑮. Leg cover 2 pcs 	

Hardware List

Ⓐ. Screw M6*40 6 pcs 	Ⓒ. Screw M6*70 2 pcs 	Ⓓ. Screw 3/8-16*18 2 pcs 
Ⓔ. Screw 3/8-16*40 2 pcs 	Ⓖ. Screw M4*10 2 pcs 	Ⓕ. Washer M6 6 pcs 
Ⓖ. Washer M8 2 pcs 	Ⓗ. Washer M10 2 pcs 	Ⓖ. Leg tube washer M8*∅ 40 2 pcs 
Ⓖ. Axle pins 2 pcs 	Ⓖ. Stoppage pins 2 pcs 	Ⓖ. M10 nut2 pcs 

3. Exploded Diagram



No.	Description	Qty	No.	Description	Qty
①	Grill body assembly	1	Ⓐ	M6*40 screws	6
②	Flame tamer	1	Ⓑ	M6*70 screws	2
③	Grid	1	Ⓒ	3/8-16*18 bolts (wheel axle)	2
④	Thermometer	1	Ⓓ	3/8-16*40 screws	2
⑤	Thermometer holder	1	Ⓔ	M4*10 screws	2
⑥	Short leg assembly	2	Ⓕ	M6 washers	6
⑦	Right-up horizontal tube	1	Ⓖ	M8 washers	2
⑧	Mid tube assembly	1	Ⓗ	M10 washers	2
⑨	Handle assembly	1	Ⓘ	Leg tube washers M8* \varnothing 40	2
⑩	Long leg assembly (right)	1	Ⓙ	Axle pins	2
⑪	Long leg assembly (left)	1	Ⓚ	Stoppage pins	2
⑫	Wheel tube assembly	1	Ⓛ	M10 nut	2
⑬	Wheel cover	2			
⑭	Wheel	2			
⑮	Left-up tube assembly	1			
⑯	Grease cup	1			
⑰	Leg cover	2			

For customer service and replacement part, please call:

1-877-214-1683.

Cuisinart Canada,
Trileaf Distribution Trifeuil, Toronto, Canada, M4S 2B8.

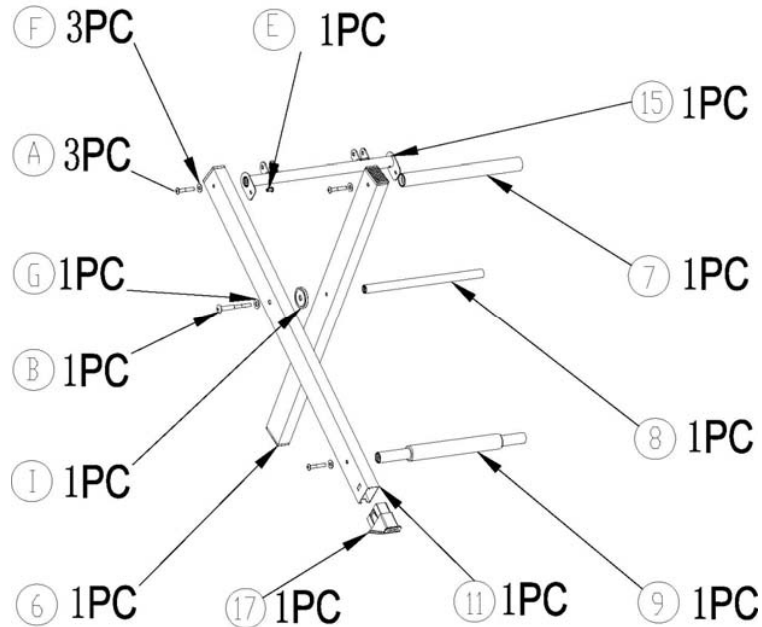
CTC Model # 085-3231-0

Model# BG036-J

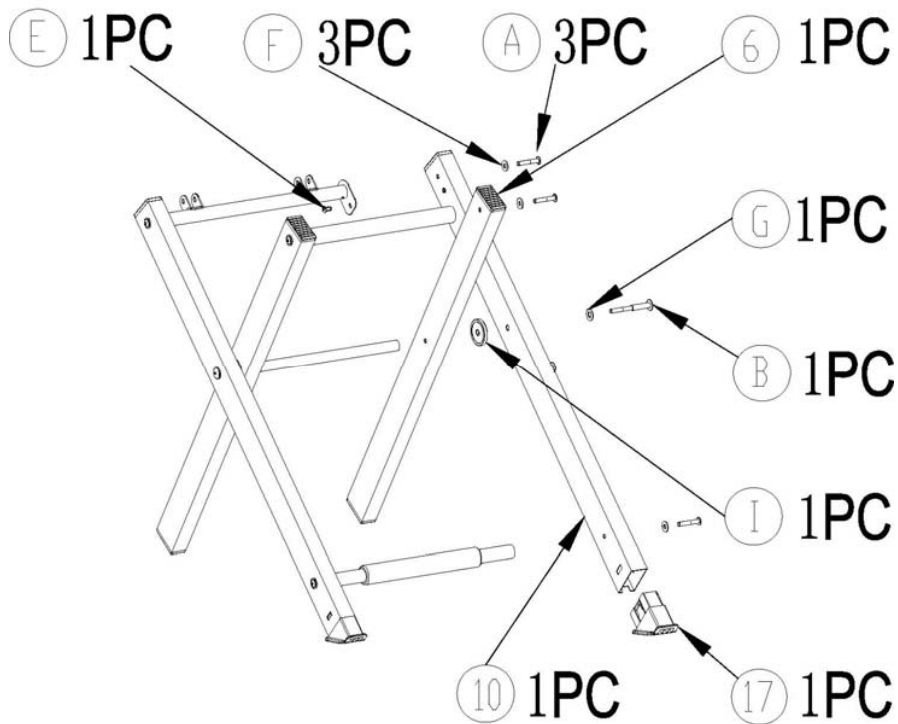
4. Assembly Instructions

Remove all contents from packaging, and make sure all parts are present before attempting to assemble! For correct screws and washers for assembly below, refer to part numbers above.

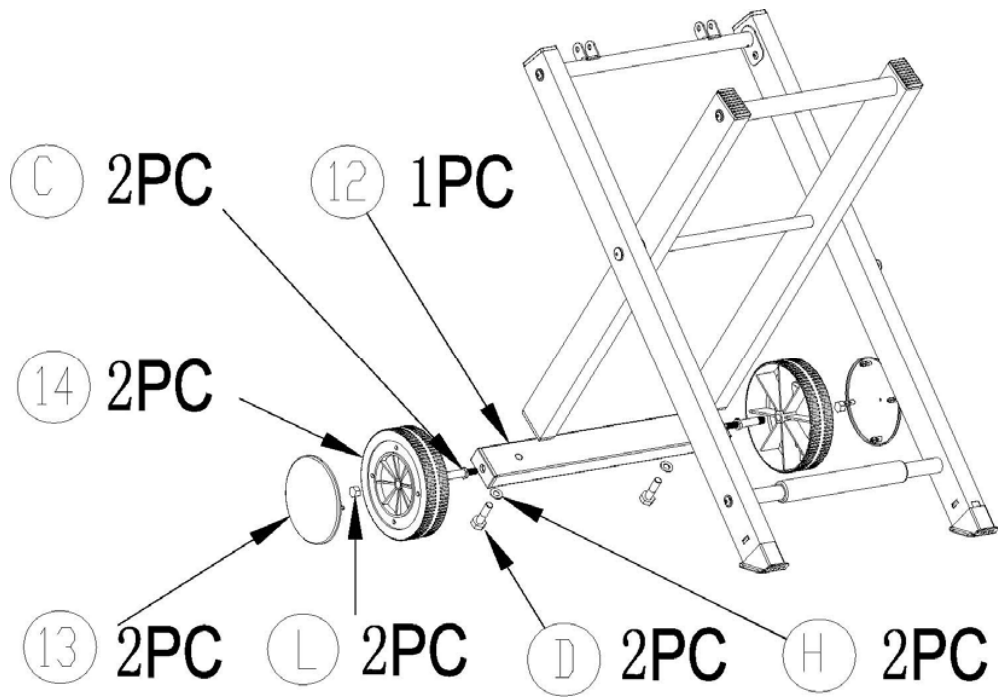
Step 1: Install the following parts: short leg assembly, left long leg assembly, handle assembly, right-up horizontal tube, mid tube assembly, leg tube washers, leg cover.



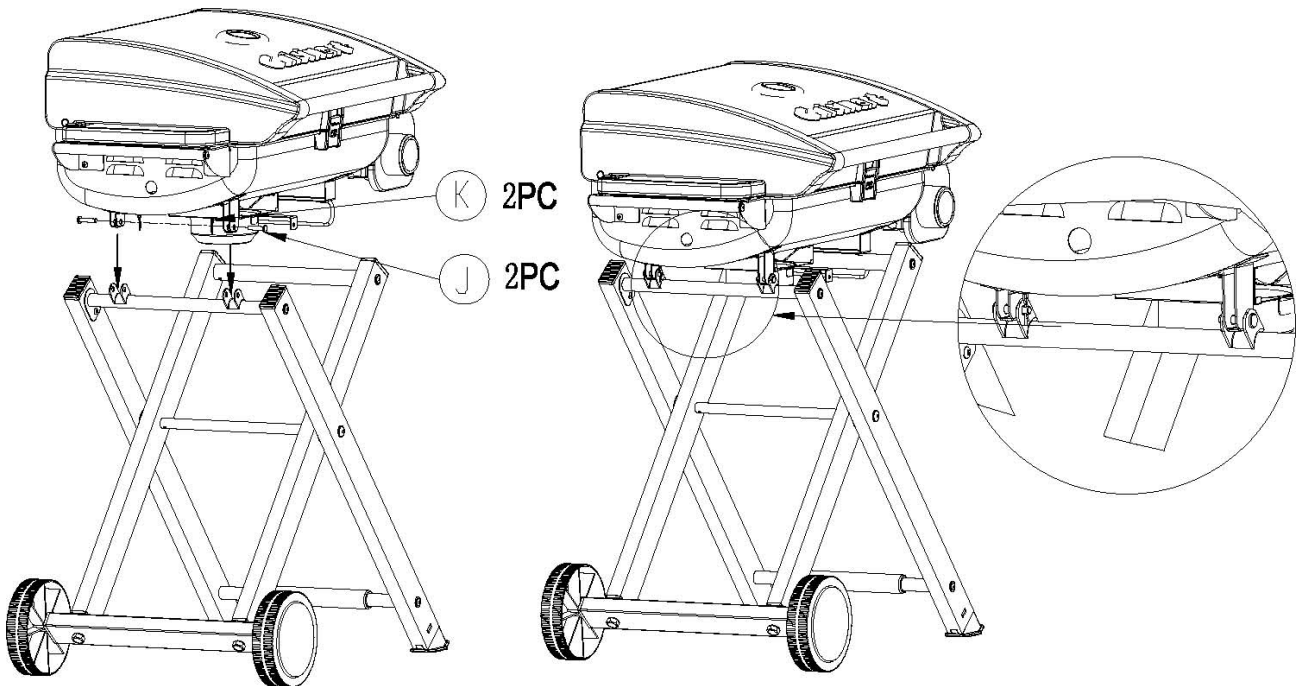
Step 2: Install the following parts: short leg assembly, right long leg assembly, leg tube washers, leg cover.



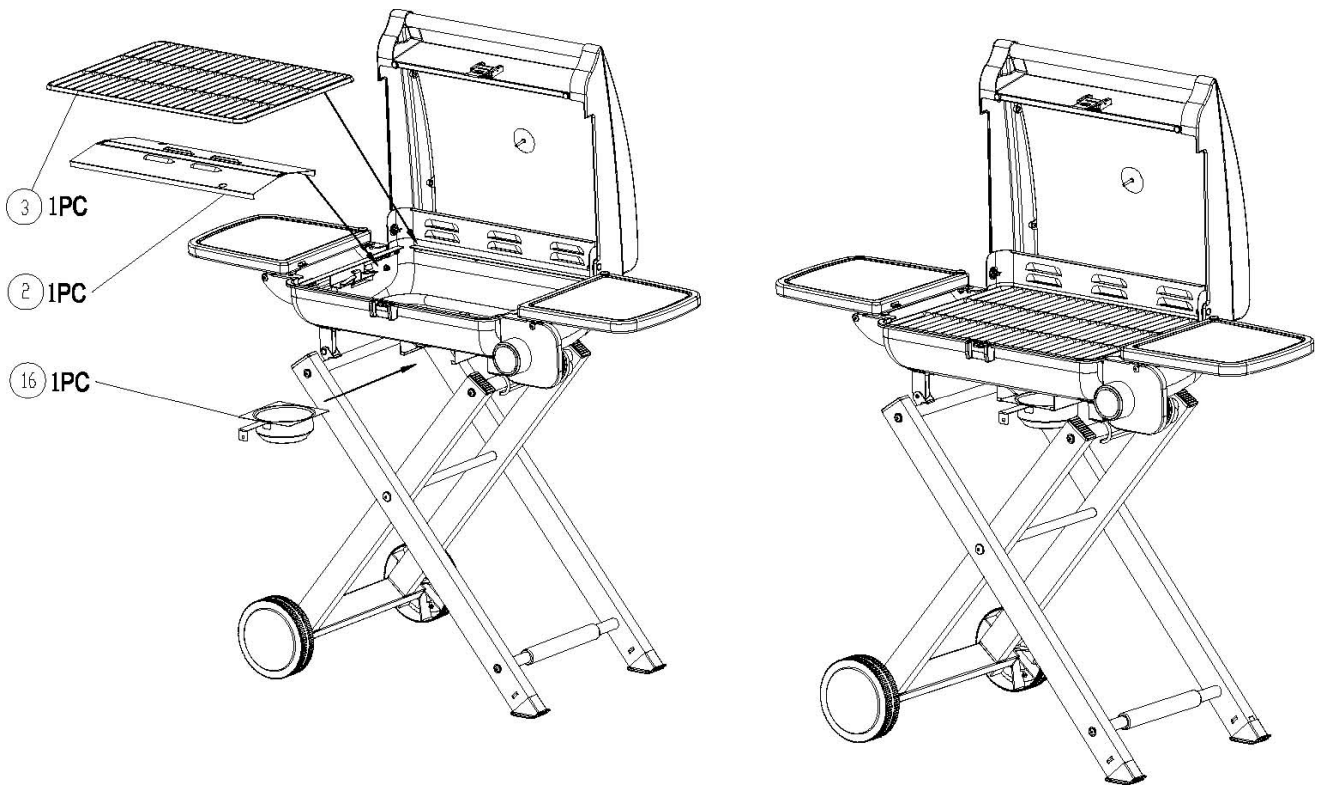
Step 3: Install wheel tube assembly and wheels.



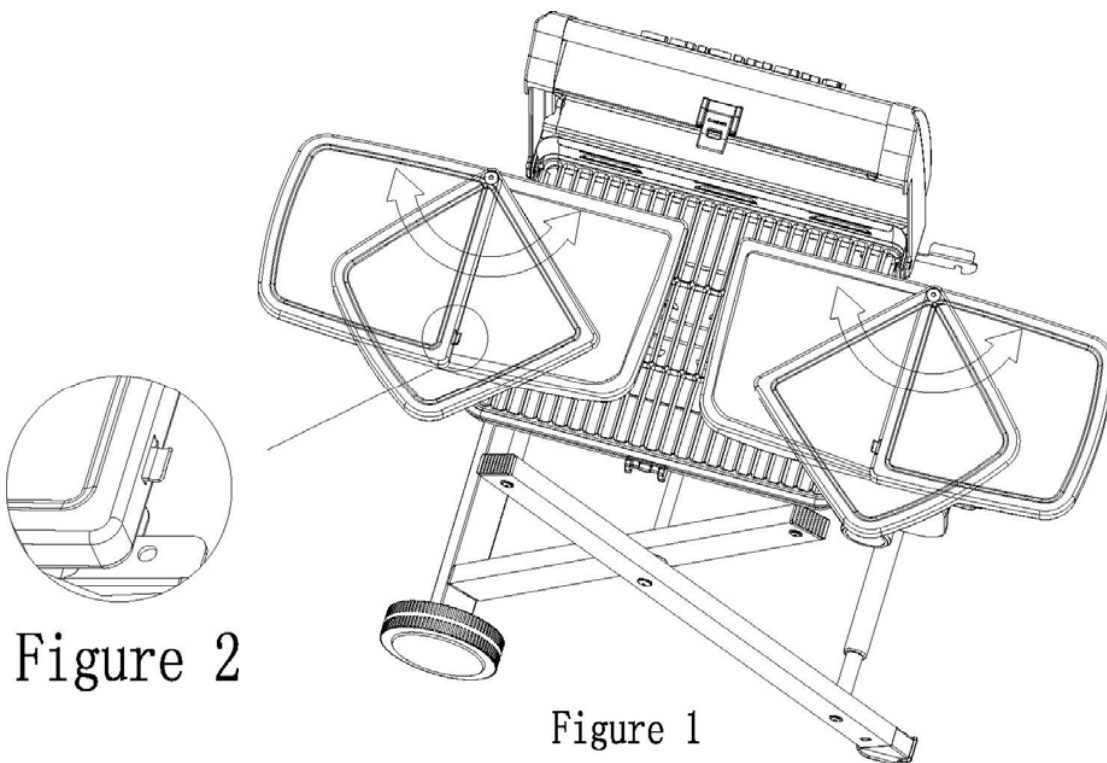
Step 4: Install burner and trolley.



Step 5: Install flame tamer, grid, grease cup.

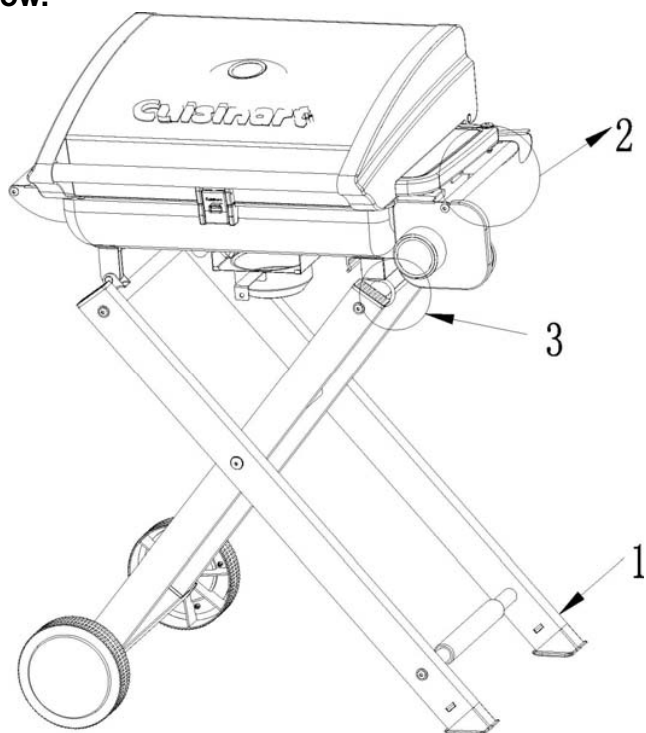


Step 6: Side shelves slide in as shown below (figure 1) for easy and convenient storage. Please make sure that when using the side shelves, they are properly locked into place by threading the slot on the inside of the shelf through the side bracket as shown in figure 2.

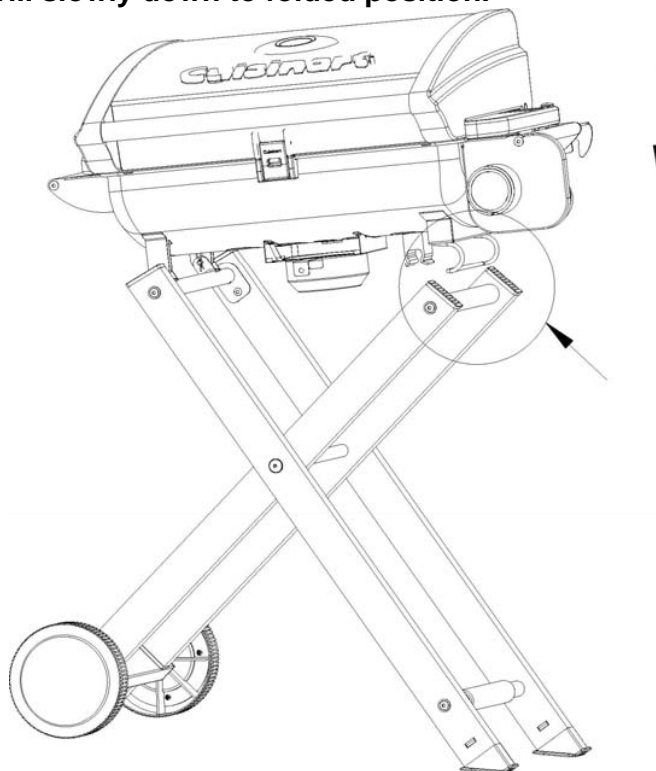


4.1 Folding trolley instructions

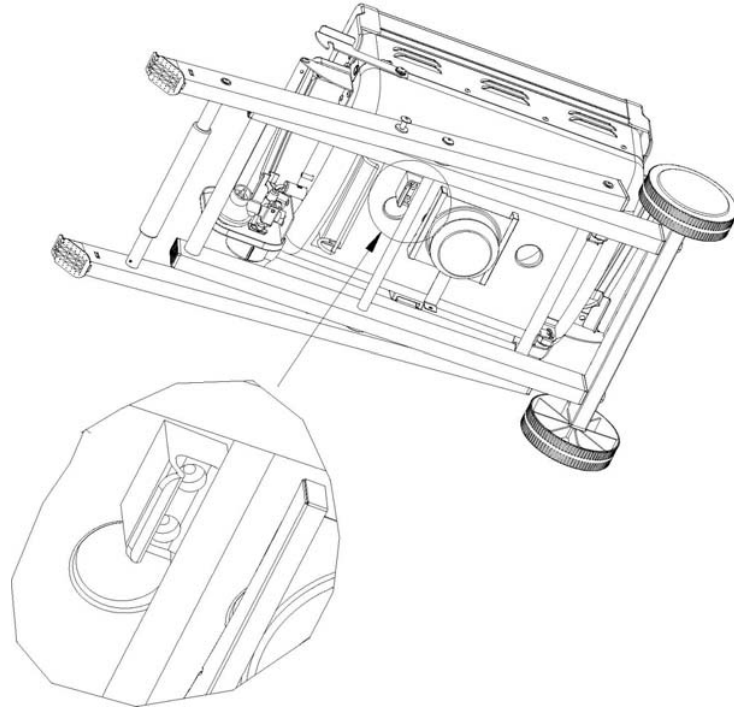
Step 1: First, step on leg tube assembly (1), then lift handle on right side of grill body (2), separating leg tube and hook under grill body (3). This separates grill body from leg as shown in the photo below.



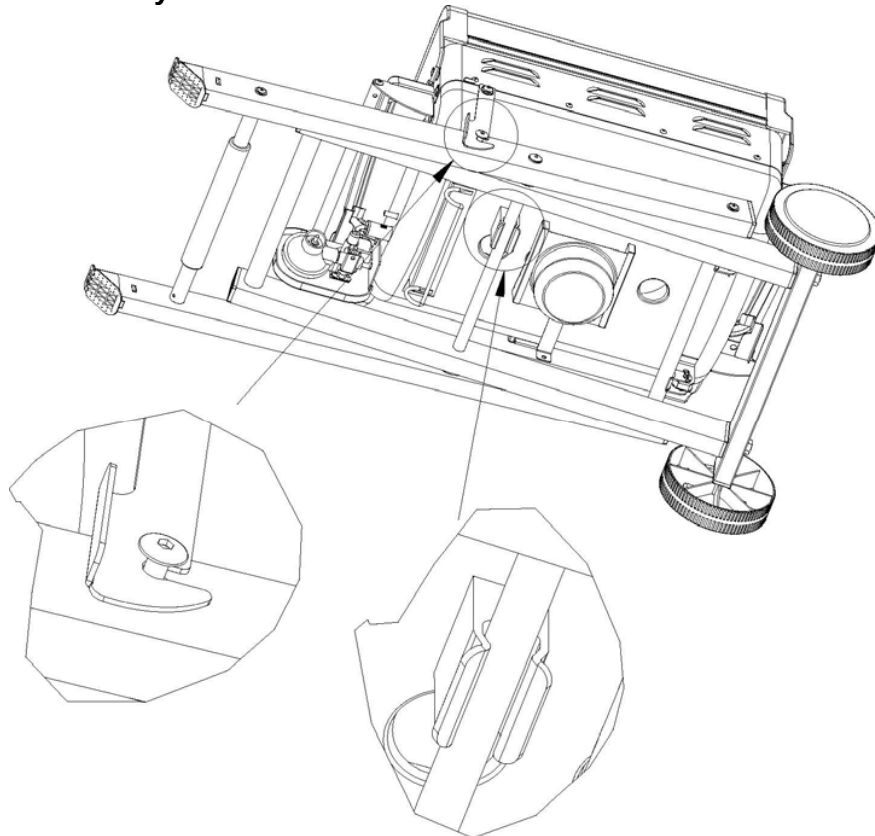
Step 2: See below for separated stage. Next, let grill body fold down slowly. Use right grill handle to help bring grill slowly down to folded position.



Step 3: Fold grill body down as pictured below until middle tube under grill reaches fasten slot underneath. See next picture for connected position.



Step 4: See picture below for folded position. Make sure hook latch engages knob on the back leg as shown. Trolley has now been secured and is safe to move.



To open trolley, reverse the above steps (4->3->2->1) ;

5. Operating Your Grill

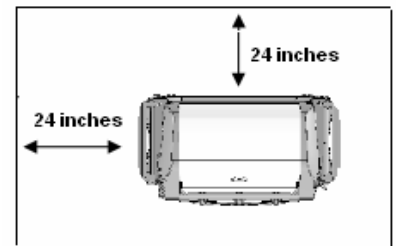
5.1 Select a proper location

Once you have assembled your new grill, find a suitable location for use.

Note: The use and installation of this product must conform to local codes. In the absence of local codes, use the National Fuel Gas Code: ANSI Z223.1/NFPA54, Storage and Handling of Liquefied Petroleum Gases, ANSI/NFPA 58 or Natural Gas and Propane Installation Code, CSA B149.1, Propane Storage and Handling, CSA B149.2.

⚠ DANGER

1. Never use this outdoor grill inside any building, garage, shed or breezeway, or in or on any boat, trailer or recreational vehicle, to prevent possible fire and to prevent the possibility of carbon monoxide poisoning or asphyxiation.
2. Always place your grill on a hard and level surface far from combustible materials and structures.
3. Do not use this grill under overhead combustible surface or covered area (e.g., awnings, umbrellas, porches or gazebos). Keep all combustible surfaces at least 24" (61 cm) away from back and sides of grill.
4. Use grill away from any combustible and non-combustible material or construction by at least 24 inches (61 cm) from back and sides. (See diagram.)
5. Never store or use gasoline or other flammable or volatile substances in the vicinity of this grill or in the vicinity of any other heat-generating appliance, because of the danger of starting a fire.
6. Do not obstruct the flow of combustion and ventilation air.



5.2 Special Instruction for the Use of Regulator and Propane Tank.

- A propane gas tank is required for operation. Use a 1 lb (465 g) propane tank.
- This Cuisinart grill is equipped with a regulator having a CGA No. 600 cylinder connection device for connecting.
- Propane cylinder size: D10cm × H20cm. Only tank marked "propane" must be used.
- The propane tank must be constructed and marked in accordance with the specification for LP Gas cylinders as stipulated in the U.S Department of Transportation (D.O.T) or the National standard of Canada, CAN/CSA-B339, Cylinders, spheres and Tubes for Transportation of Dangerous Goods.
- Store spare tanks in a well-ventilated area away from the grill.
- Do not puncture or burn propane tank.
- When grill is not in use, control knob must be turned to "OFF" position to shut off the gas flow from the tank.
- Do not store a spare LP gas tank under or near grill. Never fill the tank beyond 80% full. If these instructions are not followed exactly, a fire causing death or serious injury may occur.
- Save the tank cap and reinstall when not in use.
- Tank supply system must be arranged for vapour withdrawal. Do not block the pressure relief valve during use or storage.
- Keep the ventilation opening(s) of the tank enclosure free and clear of debris.
- Always remove LP gas tank from grill when transporting and when not in use.

5.3 Installing the gas tank

(The propane gas tank is not provided with the appliance.)

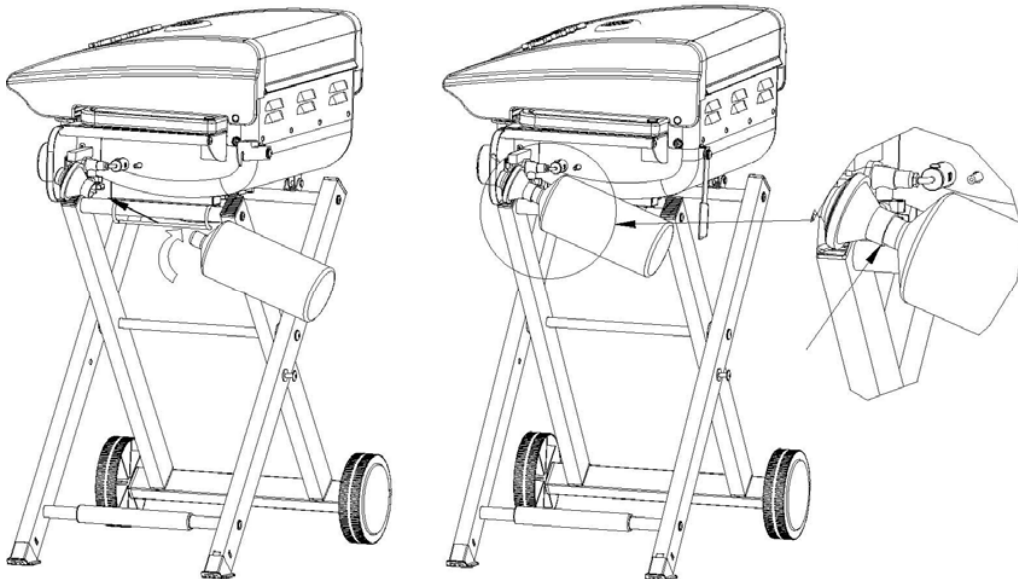
A propane tank complying with the requirements listed in section 5.2 must be obtained before the grill can operate. Connect the LP tank to the grill outdoors only.

Read and follow all direction on the tank.

1. Turn burner control knob to "OFF" position.
2. Remove protective caps from tank valve and coupling nut, if present.
3. Open grill lid and fold right-hand grill shelf over onto grill grate
4. Grasp grill handle nearest to regulator with one hand, and with the other hand push the cylinder into the threaded regulator connector. Turn clockwise until tight.
5. TIGHTEN BY HAND ONLY. Do not use tools.

REMOVAL OF THE GAS CYLINDER (please see 5.3 Installing the gas cylinder diagram)

1. Turn burner control knob to "OFF" position.
2. Grasp grill handle nearest to regulator with one hand, and turn tank counter-clockwise until it comes off.



5.4 Checking for gas leak

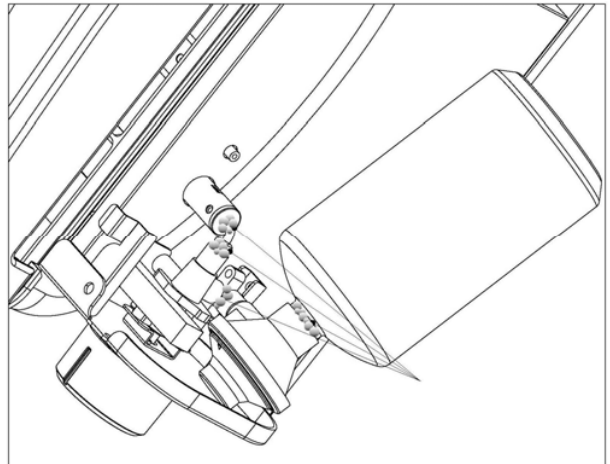
⚠ DANGER

Check gas system for leaks to prevent fire or explosion hazard

1. "Leak Check" must be performed before lighting grill and each time cylinder is connected for use.
2. Do not smoke or allow other sources of ignition in the area while conducting a leak test.
3. Conduct leak test outdoors in a well-ventilated area.
4. Do not use matches, lighters or a flame to check for leaks.
5. Do not use grill until all leaks have been stopped. If you are unable to stop a leak, disconnect propane supply, and call for gas application service or your local propane gas supplier.

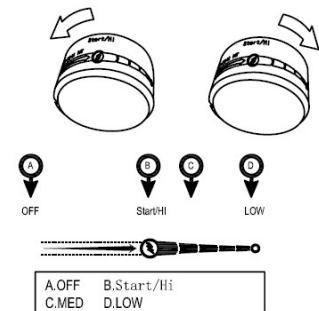
Leak Check Instructions

1. Make 2-3 oz. (60-90 ml) of leak-test solution by mixing one part liquid dishwashing soap with three parts water.
2. Make sure control knob is in "OFF" position.
3. Spray or paint some leak solution on cylinder and regulator connection.
4. Inspect solution at the connections, looking for bubbles. If no bubbles appear, connection is secure.
5. If bubbles appear, a leak is detected. Go to step 6.
6. Disconnect cylinder from regulator and reconnect. Make sure connection is secure and no leak is found before using the grill.
7. If you continue to see bubbles, **DO NOT USE THE GRILL**. Repeat above process with a different LP cylinder. If leaks are still present, contact the customer service centre.



5.5 Lighting instructions

1. Read all instructions before lighting.
2. Open lid during lighting.
3. Make sure gas control knob is in "OFF" position.
4. Unfold side tables into open position.
5. Push gas control knob and quickly turn counter-clockwise to "HIGH" position. The igniter will click and light the burner.
6. If ignition does not occur in 5 seconds, turn gas control knob off, wait 5 minutes, and repeat steps 2-5.



*Before cooking on grill for the first time, operate grill for about 15 minutes with lid closed and gas turned on "HIGH". This will "heat clean" the internal parts and dissipate odour from the painted finish.

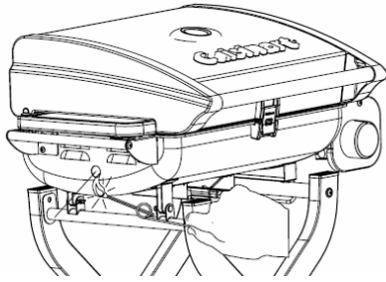
*Clean grill after each use. DO NOT use abrasive or flammable cleaners, as they will damage the product parts and may start a fire. Clean with warm soapy water.

If burner does not light, turn gas control knob off and wait 5 minutes to let gas clear before you try again. (**Please see 5.3 Installing the gas cylinder**)

5.6 Match lighting

IMPORTANT!

A match lighting hole is located on the left side of the firebox as shown below.



Match lighting instructions:

1. Read all instructions before lighting.
2. Open lid during lighting.
3. Make sure gas control knob is in "OFF" position.
4. Unfold side tables into open position.
5. Strike a long wooden match and position burning match through match lighting hole in firebox bottom. Place flame near bottom edge of burner.
6. Push down and turn burner control knob counter-clockwise to "HIGH" setting.
7. Burner should light. Flame will carry around burner. Allow grill to pre-heat with grill lid closed for 2-3 minutes before cooking.

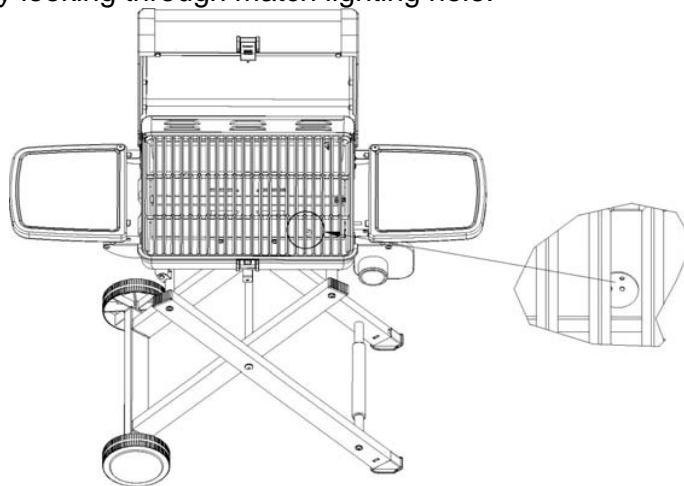
⚠ CAUTION:

Do not touch any hot grill parts. Outside of grill bottom especially becomes very hot during use. Use protective gloves to handle any parts that might become hot during use.

*Don't touch locking latch by hand during cooking as it can become hot. Please let grill cool before touching and using locking latch.

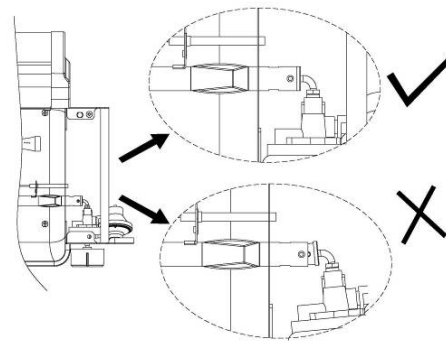
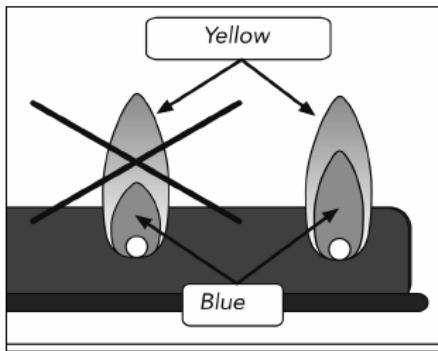
5.7 Using the Grill

Inspect burner flame by looking through match lighting hole.



A good flame should be blue with some yellow tips coming from burner holes. Yellow tips on flames up to 1/4" in height are acceptable as long as no carbon or soot deposits appear.

During operation, stand to the side of grill when opening grill lid.
Do not expose any part of your body directly above the cooking area.



Burner opening must be positioned properly over valve orifices.

6. Care and Maintenance

6.1 Care

Regular care of your grill will help keep it operating properly. All maintenance should be done only when grill is cool and with the fuel supply turned off. Occasionally inspect and tighten hardware that may become loose.

6.2 Cleaning The Venturi Tube

A spider's nest or wasp's mud inside Venturi can block gas flow and can even cause a fire at the gas control valve. Such a fire can cause operator injury and serious damage to your grill.

To prevent insect related problems, inspect Venturi tube screen cover regularly and remove any dirt.

⚠ WARNING!

Do not disassemble or alter fuel supply system. Improper assembly can result in a hazardous condition. Seek qualified professional assistance if repairs are required.

6.3 Cleaning and Maintenance

WARNING: Do not clean any grill surface while grill is operating.

Let grill cool to a safe temperature prior to cleaning.

- Disconnect fuel supply and remove fuel supply tank prior to cleaning.
- Cleaning should be done where detergent won't harm work surface or lawn.

Exterior Cleaning

- Clean grill exterior surfaces with warm soapy water. Stainless steel lid panel and side shelves can be cleaned with commercial stainless steel cleaner.
- Wash drip tray in warm soapy water – do not run through dishwasher.

Interior Cleaning

- Cooking grate can be cleaned with a grill brush. For best results, cooking grate should be warm (warm, not hot – never brush with grill operating, or when interior is very hot). If desired, cool cooking grate can be removed from grill and cleaned with warm soapy water.

- Should you wish to remove accumulated debris from bottom of firebox, proceed as follows:

– Allow grill to cool completely

-
- Remove cooking grate and set aside.
 - Remove screw securing flame tamer; remove flame tamer and set aside! CAUTION Flame tamer edges and surface are sharp – use care when handling.
 - Carefully scrape and remove debris from bottom of firebox using care not to touch burner element, igniter, or igniter wire.
- WARNING: DO NOT APPLY ANY CLEANERS OR LIQUIDS TO BURNER ELEMENT OR ATTEMPT TO CLEAN IN ANY WAY.
- DO NOT USE WATER OR LIQUIDS TO CLEAN GRILL INTERIOR
 - Replace flame tamer and securing screw. CAUTION: DO NOT OPERATE GRILL WITHOUT FLAME TAMER IN PLACE.

Veggie Panel

- The Veggie Panel can be hand washed with soapy water, or placed in dishwasher.

7. Warranty

This warranty covers defects in parts and workmanship for a period of 12 months from original purchase date. Any damage claim regarding the enameling must be submitted within 30 days of purchase to be covered by the warranty.

The following conditions are NOT covered by this warranty:

- Unevenness and colour variations in the enamel coating or stainless steel.
- Damage caused by improper assembly or disregard of the manual.
- Use of spare parts not supplied by manufacturer.
- Damage resulting from modifications or inappropriate use.
- Abuse of the grill.
- Damage caused by improper maintenance or repairs done by an unauthorized person.

Limitations and Exclusions:

1. This warranty applies only to the original purchaser and may not be transferred.
2. If you cannot verify the purchase date of the grill, the warranty period will begin on the date the grill was manufactured.
3. Replacement or repair parts are warranted for the period remaining on the warranty of the original parts.

Your obligations:

This grill must be assembled, installed, operated and maintained in accordance with all applicable codes and the instruction manual furnished with this grill. You must keep an invoice, cancelled cheque or payment record to verify the purchase date of the grill.

For customer service and replacement parts, please call:

1-877-214-1683.

**Cuisinart Canada,
Trileaf Distribution Trifeuil, Toronto, Canada, M4S 2B8.
CTC Model # 085-3231-0
Model# BG036-J**