

This Owner's Manual is provided and hosted by [Appliance Factory Parts](#).



CUISINART G51213 Owner's Manual

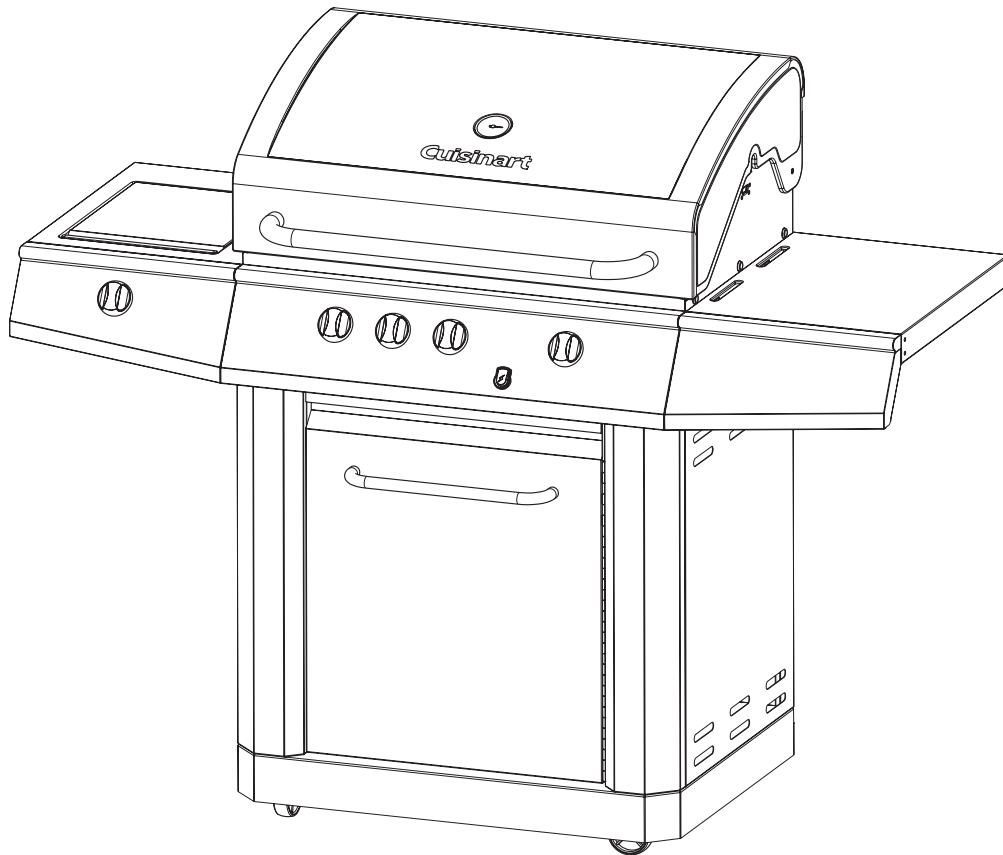
[Shop genuine replacement parts for CUISINART
G51213](#)



[Find Your CUISINART Grill Parts - Select From 152 Models](#)

----- Manual continues below -----

Cuisinart™



CUISINART™ C780SR **Assembly Manual**

85-3032-4 (G51213) Propane
85-3033-2 (G51214) Natural Gas

LIMITED 5-YEAR WARRANTY

Read and save manual for future reference.

**Assemble your grill immediately.
Missing or damaged parts should be
claimed within 30 days of purchase.**

**For product inquiries, parts, warranty and troubleshooting support,
please call 1-800-309-3452.**

www.cuisinartbbqs.com



HEAVY ARTICLE NEEDS 2 TO LIFT

THIS MANUAL MUST REMAIN WITH THE PRODUCT AT ALL TIMES

To ORDER non-warranty replacement parts or accessories, or to register your warranty, please visit us on the web at www.cuisinartbbqs.com

⚠ CAUTION

Sharp edges. Wear gloves when assembling your grill.

⚠ CAUTION

Read and follow all safety statements, assembly instructions, and use and care directions before attempting to assemble and cook.

⚠ INSTALLER OR ASSEMBLER/CONSUMER

This manual should be kept with the BBQ at all times.

⚠ WARNING

Failure to follow all of the Manufacturer's instructions could result in hazardous fires, explosions, property damage, or serious personal injury or even death.

Follow all leak check procedures carefully prior to operation of barbecue, even if grill was dealer assembled. Do not try to light this barbecue without reading the Lighting Instructions section of this manual.

⚠ DANGER

1. If you smell Gas:
 - a. Shut off gas to the appliance
 - b. Extinguish any open flame
 - c. Open lid
 - d. If odor continues, keep away from the appliance and immediately call your gas supplier or your fire department
 2. Requires two people to complete the assembly process.
 3. Beware of sharp edges.
-

⚠ WARNING

1. Do not store or use gasoline or other flammable liquids or vapours in the vicinity of this or any other appliance.
 2. An LP cylinder not connected for use shall not be stored in the vicinity of this or any other appliance.
-

THIS BARBECUE IS FOR OUTDOOR USE ONLY

CONTACT CALL CENTRE IF ANY PARTS ARE MISSING

1-800-309-3452

PARTS LIST (PROPANE) FOR 85-3032-4 (G51213)

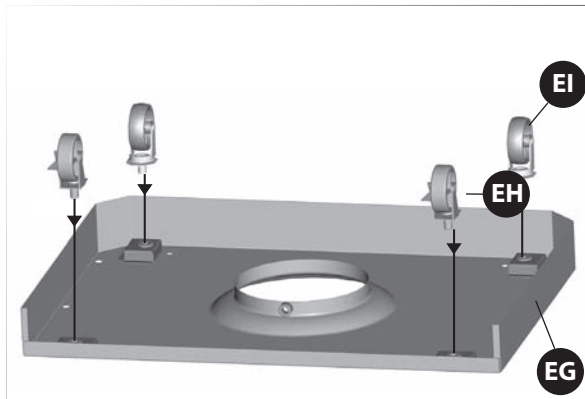
Item	Qty.	Description	Part No.	Item	Qty.	Description	Part No.
AA	1	Top Lid	G512-7400-01	CN	1	Upper Back Panel	G512-0036-01
AB	1	Lid Handle	G512-0053-01	CO	1	Heat Shield	G512-0026-01
AC	1	Thermometer	G512-0052-01				
AD	2	Screw for Top Lid	G501-0005-02	DA	1	Side Shelf Table- Left	G512-0600-02
AE	2	Lid Bumper	G508-0063-01	DB	1	Side Shelf Fascia- Left	G512-0065-01
				DC	1	Side Burner Drip Pan	G617-0035-01
BA	1	Burner Box Assembly	G512-7600-01	DD	1	Side Burner	G433-1400-01
BB	1	Upper Side Panel- Left	G512-7700-01	DE	1	Electrode Set, Sideburner	G433-0047-01
BC	1	Upper Side Panel- Right	G512-9300-01	DF	1	Lid-Sideburner	G501-0070-01
BD	2	Main Burner-A	G607-0700-A1	DG	1	Cooking Grate, Sideburner	G501-0077-01
BE	1	Main Burner-B	G502-1800-A1	DH	1	Side Shelf Table- Right	G512-0500-02
BF	1	Carryover Assembly	G502-0012-01	DI	1	Side Shelf Fascia-Right	G512-0064-01
BG	3	Flame Tamer	G617-0019-01				
BH	3	Cooking Grate, Burner Box	G512-0062-01	EA	1	Cart Side Panel-Left	G512-0700-01
BI	1	Warming Rack	G512-0004-01	EB	1	Cart Side Panel, Right	G512-0800-01
BJ	1	Rotisserie Burner	G501-B100-01	EC	1	Pillar, Left	G512-8000-01
BK	1	Electrode Set, Rotisserie Burner	G508-0009-01	ED	1	Pillar, Right	G512-8700-01
BL	1	Wind Shield, Rotisserie	G501-00B1-01	EE	2	Magnet Assembly	G501-0016-01
BM	1	Match Holder	G608-0019-01	EF	1	Door Assembly	G512-8300-01
BN	1	Towel Bar	G512-0063-01	EG	1	Bottom Shelf	G512-9800-01
				EH	2	Wheel with Lock	G401-0061-01
CA	1	Manifold Assembly	G512-7800-01	EI	2	Wheel	G606-0027-01
CB	1	Regulator	G433-0034-01				
CC	1	Valve, Sideburner	G512-0055-01	F1	1	Hardware Pack	G512-B013-01
CD	1	Metal Hose, Sideburner	G608-0039-01	F2	1	Instruction Manual	G512-M013-01
CE1	1	Rotisseries Flexible Hose	G601-0055-A1	F3	1	Safety & Care Manual	G412-M006-02
CE2	1	Rotisseries LP Orifice	G601-0055-03	F4	1	Tank Screw	G505-0047-01
CE3	1	Rotisseries Burner Collector Box	G501-00C1-01				
CF1	1	Electronic Igniter Assembly	G512-0070-02				
CF2	1	Electronic Ignition Button	G512-0070-01				
CG	1	Electrode Set, Main Burner	G512-0059-01				
CH	3	Control Knob Assy	G512-7900-01				
CI	1	Rotisserie Knob Assy	G512-9400-01				
CJ	1	Control Panel	G512-0056-01				
CK	1	Front Brace	G512-0043-01				
CL	1	Grease Tray	G512-A000-01				
CM	1	Grease Cup	G416-0015-01				

PARTS LIST (NATURAL GAS) FOR 85-3033-4 (G51214)

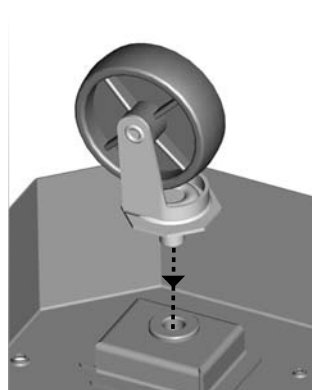
Item	Qty.	Description	Part No.	Item	Qty.	Description	Part No.
AA	1	Top Lid	G512-7400-01	CN	1	Upper Back Panel	G512-0036-01
AB	1	Lid Handle	G512-0053-01	CO	1	Heat Shield	G512-0026-01
AC	1	Thermometer	G512-0052-01				
AD	2	Screw for Top Lid	G501-0005-02	DA	1	Side Shelf Table- Left	G512-0600-02
AE	2	Lid Bumper	G508-0063-01	DB	1	Side Shelf Fascia- Left	G512-0065-01
				DC	1	Side Burner Drip Pan	G617-0035-01
BA	1	Burner Box Assembly	G512-7600-01	DD	1	Side Burner	G433-1400-01
BB	1	Upper Side Panel- Left	G512-7700-01	DE	1	Electrode Set, Sideburner	G433-0047-01
BC	1	Upper Side Panel- Right	G512-9300-01	DF	1	Lid- Sideburner	G501-0070-01
BD	2	Main Burner-A	G607-0700-A1	DG	1	Cooking Grate, Sideburner	G501-0077-01
BE	1	Main Burner-B	G502-1800-A1	DH	1	Side Shelf Table- Right	G512-0500-02
BF	1	Carryover Assembly	G502-0012-01	DI	1	Side Shelf Fascia-Right	G512-0064-01
BG	3	Flame Tamer	G617-0019-01				
BH	3	Cooking Grate, Burner Box	G512-0062-01	EA	1	Cart Side Panel-Left	G512-0700-01
BI	1	Warming Rack	G512-0004-01	EB	1	Cart Side Panel, Right	G512-0800-01
BJ	1	Rotisserie Burner	G501-B100-01	EC	1	Pillar, Left	G512-8000-01
BK	1	Electrode Set, Rotisserie Burner	G508-0009-01	ED	1	Pillar, Right	G512-8700-01
BL	1	Wind Shield, Rotisserie	G501-00B1-01	EE	2	Magnet Assembly	G501-0016-01
BM	1	Match Holder	G608-0019-01	EF	1	Door Assembly	G512-8300-01
BN	1	Towel Bar	G512-0063-01	EG	1	Bottom Shelf	G512-A700-01
				EH	2	Wheel with Lock	G401-0061-01
CA	1	Manifold Assembly	G512-A200-01	EI	2	Wheel	G606-0027-01
CB	1	Natural Gas Hose	G501-0099-01				
CC	1	Valve, Sideburner	G512-0067-01	F1	1	Hardware Pack	G512-B013-01
CD	1	Metal Hose, Sideburner	G608-0039-01	F2	1	Instruction Manual	G512-M013-01
CE1	1	Rotisseries Flexible Hose	G601-0055-A1	F3	1	Safety & Care Manual	G412-M006-02
CE2	1	Rotisseries NG Orifice	G601-0055-04				
CE3	1	Rotisseries Burner Collector Box	G501-00C1-01				
CF1	1	Electronic Igniter Assembly	G512-0070-02				
CF2	1	Electronic Ignition Button	G512-0070-01				
CG1	1	Electrode Set, Main Burner	G512-0059-01				
CH	3	Control Knob Assy	G512-7900-01				
CI	1	Rotisserie Knob Assy	G512-9400-01				
CJ	1	Control Panel	G512-0056-01				
CK	1	Front Brace	G512-0043-01				
CL	1	Grease Tray	G512-A000-01				
CM	1	Grease Cup	G416-0015-01				

ASSEMBLY INSTRUCTIONS

1



Back view



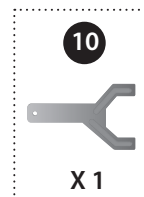
Close up

Separate the 2 different types of wheels, 2 locking wheels (EH) and 2 regular wheels (EI).

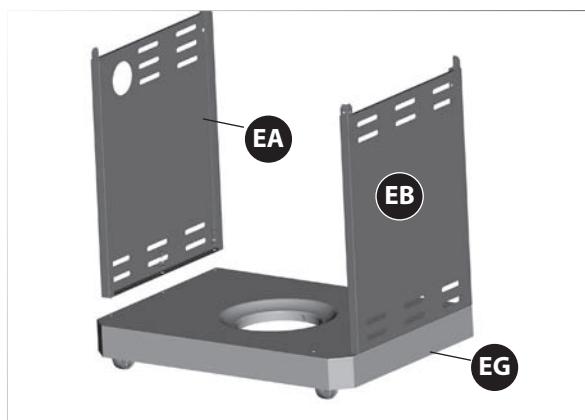
Attach the locking wheels (EH) to the back of the bottom shelf (EG) and the regular wheels (EI) to the front of the bottom shelf (EG).

To secure the 4 wheels, hand tighten first. Then, tighten further using the wrench provided in the hardware pack.

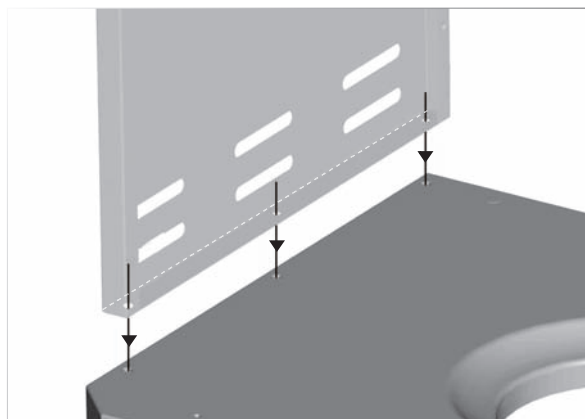
YOU WILL NEED:



2



Front view

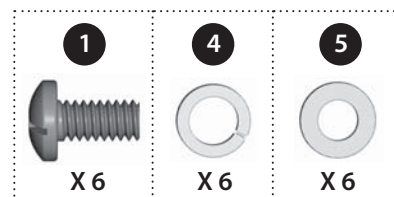


Close up

Ensure that the wheels are firmly locked in the "ON" position before continuing.

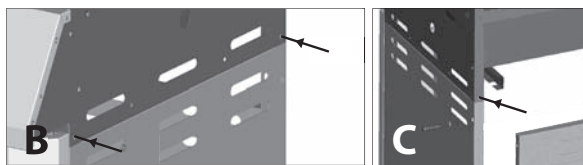
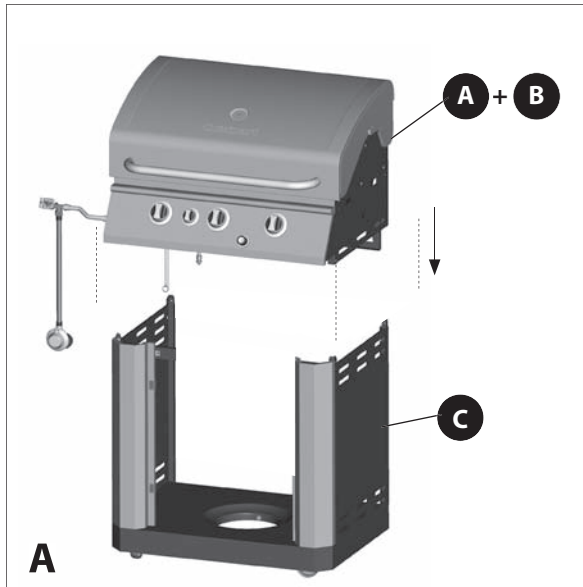
Assemble the left side panel (EA) and the right side panel (EB) to the bottom shelf (EG).

YOU WILL NEED:



ASSEMBLY INSTRUCTIONS

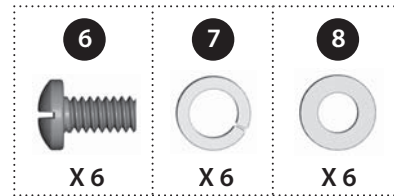
5



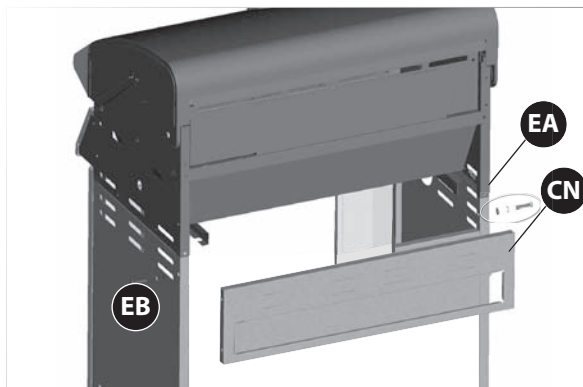
THIS STEP REQUIRES 3 OR MORE PEOPLE. DO NOT ATTEMPT ALONE. EXTREMELY HEAVY.

- Position the top lid and burner box assembly (A and B) onto cart assembly (C) as shown.
- Use the hardware to connect both parts, on the left and right sides, at the three points indicated in Figure B and C.

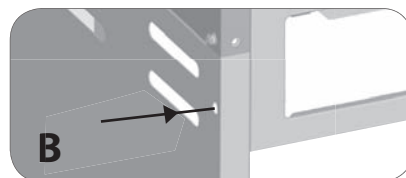
YOU WILL NEED:



6



Back view

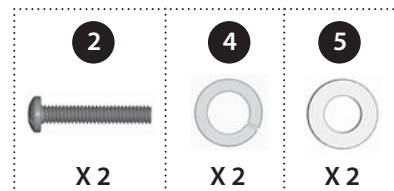


Attach the upper back panel (CN) to both the left and right side panels (EA and EB).

Only install hardware in the bottom portion of the back panel, as shown in figure B.

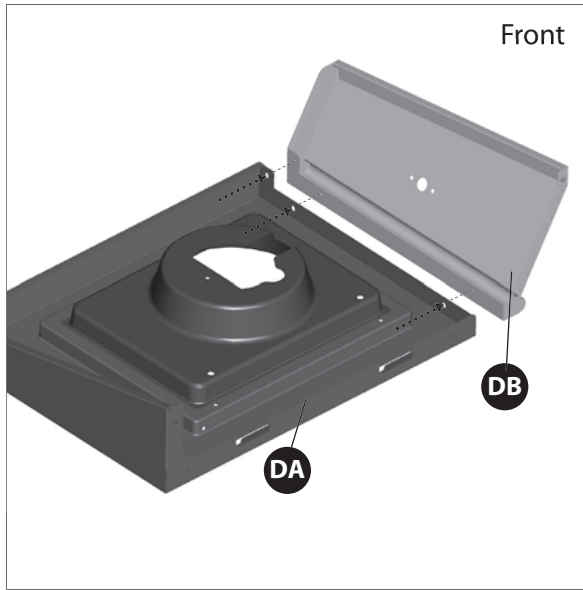
DO NOT TIGHTEN SCREW UNTIL SIDE SHELF HAS BEEN INSTALLED

YOU WILL NEED:



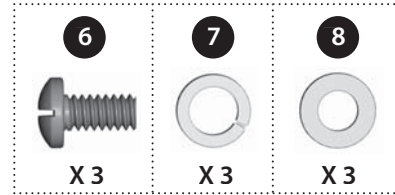
ASSEMBLY INSTRUCTIONS

9

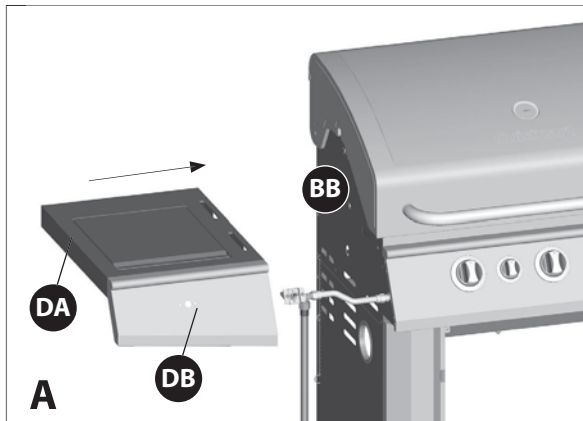


Attach the left shelf fascia (DB) to the left side shelf table (DA).

YOU WILL NEED:



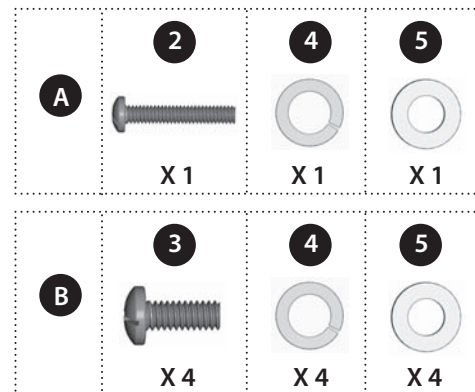
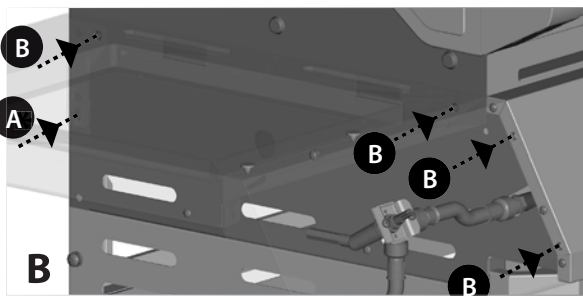
10



TIP: To position the left side shelf, insert the two hooks on the side shelf assembly into the two openings located on the upper left side panel (BB).

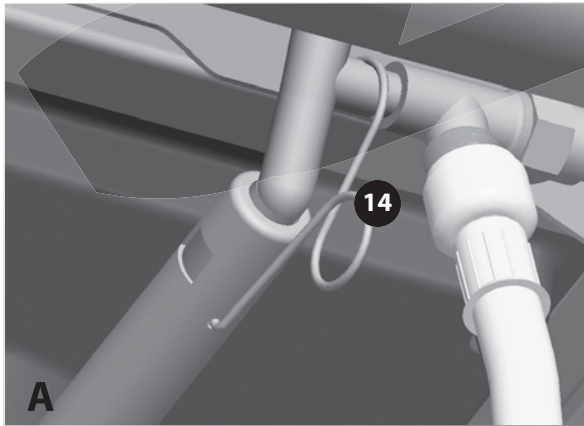
Assemble the right side shelf assembly to the cart assembly, as shown in figure B.

YOU WILL NEED:



ASSEMBLY INSTRUCTIONS

13



a. Use the side burner Venturi clip (#14) to connect the side burner to the side burner valve.

YOU WILL NEED:



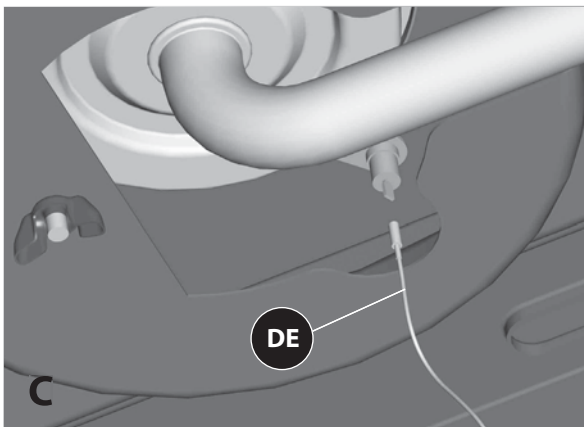
c. Using the wing nut provided, assemble the side burner to the side burner drip pan (DC), as shown in figure C.

YOU WILL NEED:

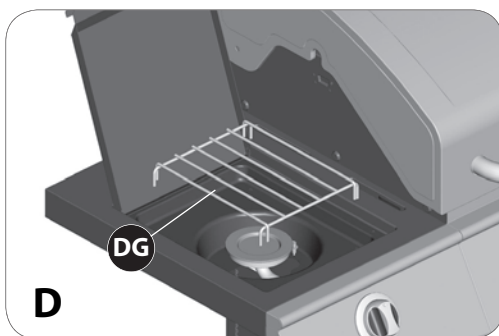


d. Attach the end of the side burner electrode wire (DE) to the underside of the side burner electrode, as shown in figure D.

Ensure that the wire is pushed in firmly.

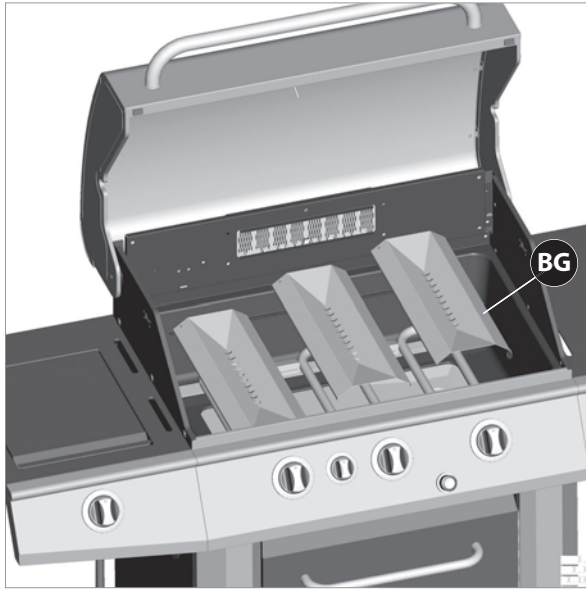


e. Place the side burner cooking grate (DG) into position on the side burner shelf, as shown in figure E.



ASSEMBLY INSTRUCTIONS

16



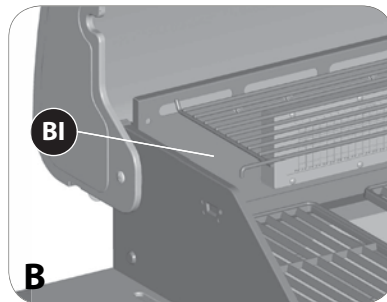
Model may not be exactly as shown.

Place the flame tamers (BG) into the burner box.

17



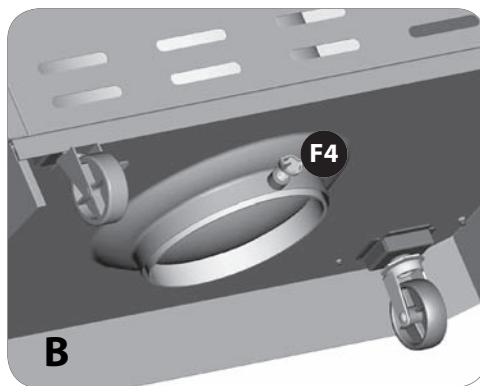
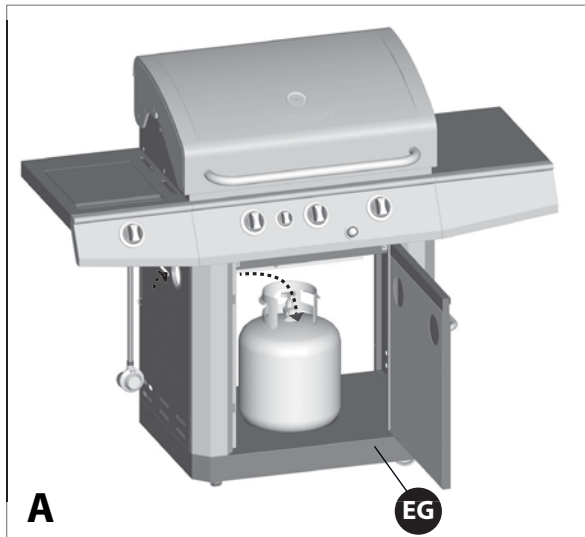
a. Place the cooking grates (BH) into the burner box, as shown in figure A.



b. Insert the three small positioning rods of the warming rack (BI) into the rear panel of the burner box.

ASSEMBLY INSTRUCTIONS

20



FOR PROPANE MODEL ONLY.

For natural gas model, follow step 20.

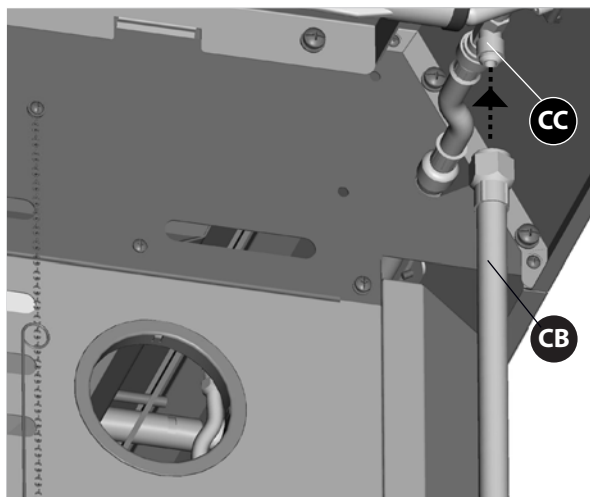
- Position the 20 lb propane tank onto the bottom shelf (EG), and secure using the bolt (F4) (already attached) located on the underside of the bottom shelf, as shown in figure B.

- Attach the regulator coupling nut to the LP cylinder valve.

▲ ATTENTION: For your families safety, do not attempt to light this BBQ until you have reviewed pages 4-7 of the Cuisinart™ Safety & Care Manual. All Safety and Leak test **MUST BE PERFORMED BY THE END USER**, prior to lighting this BBQ.

▲ WARNING
Do not store extra propane tanks within BBQ cart.

21



FOR NATURAL GAS MODEL ONLY.

Attach the natural gas hose (CB) to the side burner valve (CC) as shown.

▲ ATTENTION: In order to complete installation of your Natural Gas BBQ a 1/2" or 3/8" adapter may be required to connect your BBQ's Natural Gas hose to your home gas supply. Contact your Natural Gas supplier to purchase the necessary part.