

This Owner's Manual is provided and hosted by [Appliance Factory Parts](#).



CUISINART G51214 Owner's Manual

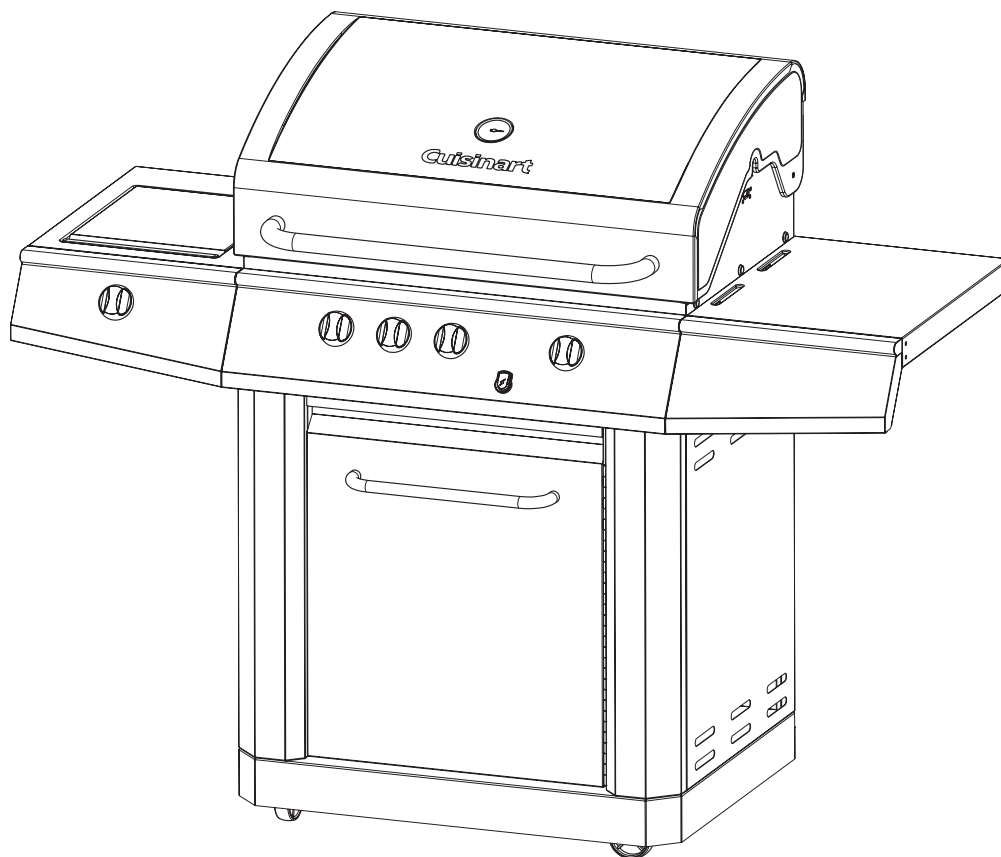
[Shop genuine replacement parts for CUISINART
G51214](#)



[Find Your CUISINART Grill Parts - Select From 152 Models](#)

----- Manual continues below -----

Cuisinart™



CUISINART™ C780SR **Assembly Manual**

85-3032-4 (G51213) Propane
85-3033-2 (G51214) Natural Gas

LIMITED 5-YEAR WARRANTY

Read and save manual for future reference.

**Assemble your grill immediately.
Missing or damaged parts should be
claimed within 30 days of purchase.**

**For product inquiries, parts, warranty and troubleshooting support,
please call 1-800-309-3452.**

www.cuisinartbbqs.com



HEAVY ARTICLE NEEDS 2 TO LIFT

THIS MANUAL MUST REMAIN WITH THE PRODUCT AT ALL TIMES

To ORDER non-warranty replacement parts or accessories, or to register your warranty, please visit us on the web at

www.cuisinartbbqs.com

⚠ CAUTION

Sharp edges. Wear gloves when assembling your grill.

⚠ CAUTION

Read and follow all safety statements, assembly instructions, and use and care directions before attempting to assemble and cook.

⚠ INSTALLER OR ASSEMBLER/CONSUMER

This manual should be kept with the BBQ at all times.

⚠ WARNING

Failure to follow all of the Manufacturer's instructions could result in hazardous fires, explosions, property damage, or serious personal injury or even death.

Follow all leak check procedures carefully prior to operation of barbecue, even if grill was dealer assembled. Do not try to light this barbecue without reading the Lighting Instructions section of this manual.

⚠ DANGER

1. If you smell Gas:
 - a. Shut off gas to the appliance
 - b. Extinguish any open flame
 - c. Open lid
 - d. If odor continues, keep away from the appliance and immediately call your gas supplier or your fire department
 2. Requires two people to complete the assembly process.
 3. Beware of sharp edges.
-

⚠ WARNING

1. Do not store or use gasoline or other flammable liquids or vapours in the vicinity of this or any other appliance.
 2. An LP cylinder not connected for use shall not be stored in the vicinity of this or any other appliance.
-

THIS BARBECUE IS FOR OUTDOOR USE ONLY

CONTACT CALL CENTRE IF ANY PARTS ARE MISSING

1-800-309-3452

PARTS LIST (PROPANE) FOR 85-3032-4 (G51213)

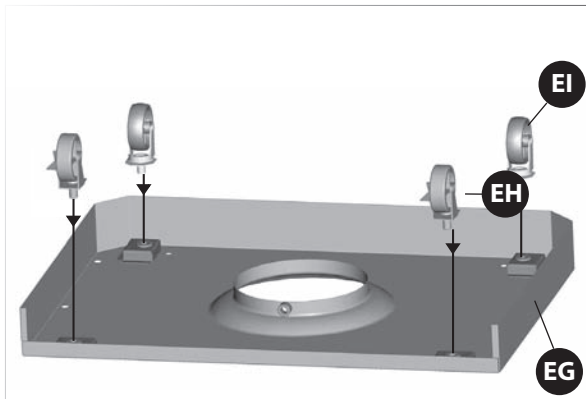
| Item | Qty. | Description | Part No. | Item | Qty. | Description | Part No. |
|------|------|----------------------------------|--------------|------|------|---------------------------|--------------|
| AA | 1 | Top Lid | G512-7400-01 | CN | 1 | Upper Back Panel | G512-0036-01 |
| AB | 1 | Lid Handle | G512-0053-01 | CO | 1 | Heat Shield | G512-0026-01 |
| AC | 1 | Thermometer | G512-0052-01 | | | | |
| AD | 2 | Screw for Top Lid | G501-0005-02 | DA | 1 | Side Shelf Table- Left | G512-0600-02 |
| AE | 2 | Lid Bumper | G508-0063-01 | DB | 1 | Side Shelf Fascia- Left | G512-0065-01 |
| | | | | DC | 1 | Side Burner Drip Pan | G617-0035-01 |
| BA | 1 | Burner Box Assembly | G512-7600-01 | DD | 1 | Side Burner | G433-1400-01 |
| BB | 1 | Upper Side Panel- Left | G512-7700-01 | DE | 1 | Electrode Set, Sideburner | G433-0047-01 |
| BC | 1 | Upper Side Panel- Right | G512-9300-01 | DF | 1 | Lid-Sideburner | G501-0070-01 |
| BD | 2 | Main Burner-A | G607-0700-A1 | DG | 1 | Cooking Grate, Sideburner | G501-0077-01 |
| BE | 1 | Main Burner-B | G502-1800-A1 | DH | 1 | Side Shelf Table- Right | G512-0500-02 |
| BF | 1 | Carryover Assembly | G502-0012-01 | DI | 1 | Side Shelf Fascia-Right | G512-0064-01 |
| BG | 3 | Flame Tamer | G617-0019-01 | | | | |
| BH | 3 | Cooking Grate, Burner Box | G512-0062-01 | EA | 1 | Cart Side Panel-Left | G512-0700-01 |
| BI | 1 | Warming Rack | G512-0004-01 | EB | 1 | Cart Side Panel, Right | G512-0800-01 |
| BJ | 1 | Rotisserie Burner | G501-B100-01 | EC | 1 | Pillar, Left | G512-8000-01 |
| BK | 1 | Electrode Set, Rotisserie Burner | G508-0009-01 | ED | 1 | Pillar, Right | G512-8700-01 |
| BL | 1 | Wind Shield, Rotisserie | G501-00B1-01 | EE | 2 | Magnet Assembly | G501-0016-01 |
| BM | 1 | Match Holder | G608-0019-01 | EF | 1 | Door Assembly | G512-8300-01 |
| BN | 1 | Towel Bar | G512-0063-01 | EG | 1 | Bottom Shelf | G512-9800-01 |
| | | | | EH | 2 | Wheel with Lock | G401-0061-01 |
| CA | 1 | Manifold Assembly | G512-7800-01 | EI | 2 | Wheel | G606-0027-01 |
| CB | 1 | Regulator | G433-0034-01 | | | | |
| CC | 1 | Valve, Sideburner | G512-0055-01 | F1 | 1 | Hardware Pack | G512-B013-01 |
| CD | 1 | Metal Hose, Sideburner | G608-0039-01 | F2 | 1 | Instruction Manual | G512-M013-01 |
| CE1 | 1 | Rotisseries Flexible Hose | G601-0055-A1 | F3 | 1 | Safety & Care Manual | G412-M006-02 |
| CE2 | 1 | Rotisseries LP Orifice | G601-0055-03 | F4 | 1 | Tank Screw | G505-0047-01 |
| CE3 | 1 | Rotisseries Burner Collector Box | G501-00C1-01 | | | | |
| CF1 | 1 | Electronic Igniter Assembly | G512-0070-02 | | | | |
| CF2 | 1 | Electronic Ignition Button | G512-0070-01 | | | | |
| CG | 1 | Electrode Set, Main Burner | G512-0059-01 | | | | |
| CH | 3 | Control Knob Assy | G512-7900-01 | | | | |
| CI | 1 | Rotisserie Knob Assy | G512-9400-01 | | | | |
| CJ | 1 | Control Panel | G512-0056-01 | | | | |
| CK | 1 | Front Brace | G512-0043-01 | | | | |
| CL | 1 | Grease Tray | G512-A000-01 | | | | |
| CM | 1 | Grease Cup | G416-0015-01 | | | | |

PARTS LIST (NATURAL GAS) FOR 85-3033-4 (G51214)

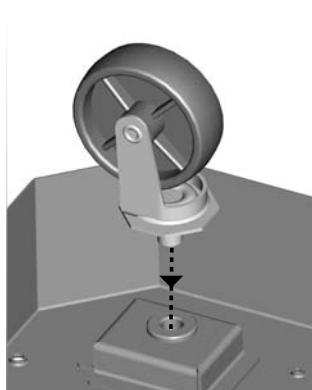
| Item | Qty. | Description | Part No. | Item | Qty. | Description | Part No. |
|------|------|----------------------------------|--------------|------|------|---------------------------|--------------|
| AA | 1 | Top Lid | G512-7400-01 | CN | 1 | Upper Back Panel | G512-0036-01 |
| AB | 1 | Lid Handle | G512-0053-01 | CO | 1 | Heat Shield | G512-0026-01 |
| AC | 1 | Thermometer | G512-0052-01 | | | | |
| AD | 2 | Screw for Top Lid | G501-0005-02 | DA | 1 | Side Shelf Table- Left | G512-0600-02 |
| AE | 2 | Lid Bumper | G508-0063-01 | DB | 1 | Side Shelf Fascia- Left | G512-0065-01 |
| | | | | DC | 1 | Side Burner Drip Pan | G617-0035-01 |
| BA | 1 | Burner Box Assembly | G512-7600-01 | DD | 1 | Side Burner | G433-1400-01 |
| BB | 1 | Upper Side Panel- Left | G512-7700-01 | DE | 1 | Electrode Set, Sideburner | G433-0047-01 |
| BC | 1 | Upper Side Panel- Right | G512-9300-01 | DF | 1 | Lid- Sideburner | G501-0070-01 |
| BD | 2 | Main Burner-A | G607-0700-A1 | DG | 1 | Cooking Grate, Sideburner | G501-0077-01 |
| BE | 1 | Main Burner-B | G502-1800-A1 | DH | 1 | Side Shelf Table- Right | G512-0500-02 |
| BF | 1 | Carryover Assembly | G502-0012-01 | DI | 1 | Side Shelf Fascia-Right | G512-0064-01 |
| BG | 3 | Flame Tamer | G617-0019-01 | | | | |
| BH | 3 | Cooking Grate, Burner Box | G512-0062-01 | EA | 1 | Cart Side Panel-Left | G512-0700-01 |
| BI | 1 | Warming Rack | G512-0004-01 | EB | 1 | Cart Side Panel, Right | G512-0800-01 |
| BJ | 1 | Rotisserie Burner | G501-B100-01 | EC | 1 | Pillar, Left | G512-8000-01 |
| BK | 1 | Electrode Set, Rotisserie Burner | G508-0009-01 | ED | 1 | Pillar, Right | G512-8700-01 |
| BL | 1 | Wind Shield, Rotisserie | G501-00B1-01 | EE | 2 | Magnet Assembly | G501-0016-01 |
| BM | 1 | Match Holder | G608-0019-01 | EF | 1 | Door Assembly | G512-8300-01 |
| BN | 1 | Towel Bar | G512-0063-01 | EG | 1 | Bottom Shelf | G512-A700-01 |
| | | | | EH | 2 | Wheel with Lock | G401-0061-01 |
| CA | 1 | Manifold Assembly | G512-A200-01 | EI | 2 | Wheel | G606-0027-01 |
| CB | 1 | Natural Gas Hose | G501-0099-01 | | | | |
| CC | 1 | Valve, Sideburner | G512-0067-01 | F1 | 1 | Hardware Pack | G512-B013-01 |
| CD | 1 | Metal Hose, Sideburner | G608-0039-01 | F2 | 1 | Instruction Manual | G512-M013-01 |
| CE1 | 1 | Rotisseries Flexible Hose | G601-0055-A1 | F3 | 1 | Safety & Care Manual | G412-M006-02 |
| CE2 | 1 | Rotisseries NG Orifice | G601-0055-04 | | | | |
| CE3 | 1 | Rotisseries Burner Collector Box | G501-00C1-01 | | | | |
| CF1 | 1 | Electronic Igniter Assembly | G512-0070-02 | | | | |
| CF2 | 1 | Electronic Ignition Button | G512-0070-01 | | | | |
| CG1 | 1 | Electrode Set, Main Burner | G512-0059-01 | | | | |
| CH | 3 | Control Knob Assy | G512-7900-01 | | | | |
| CI | 1 | Rotisserie Knob Assy | G512-9400-01 | | | | |
| CJ | 1 | Control Panel | G512-0056-01 | | | | |
| CK | 1 | Front Brace | G512-0043-01 | | | | |
| CL | 1 | Grease Tray | G512-A000-01 | | | | |
| CM | 1 | Grease Cup | G416-0015-01 | | | | |

ASSEMBLY INSTRUCTIONS

1



Back view



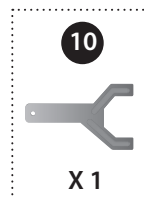
Close up

Separate the 2 different types of wheels, 2 locking wheels (EH) and 2 regular wheels (EI).

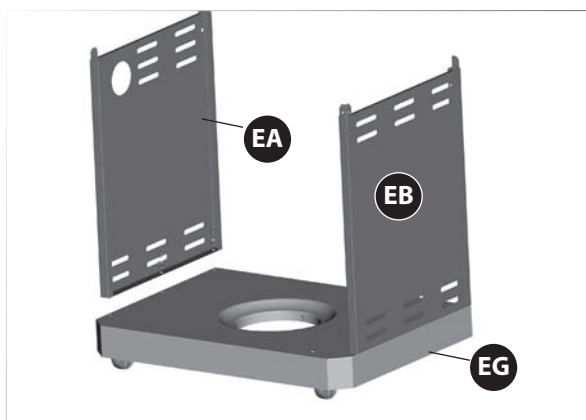
Attach the locking wheels (EH) to the back of the bottom shelf (EG) and the regular wheels (EI) to the front of the bottom shelf (EG).

To secure the 4 wheels, hand tighten first. Then, tighten further using the wrench provided in the hardware pack.

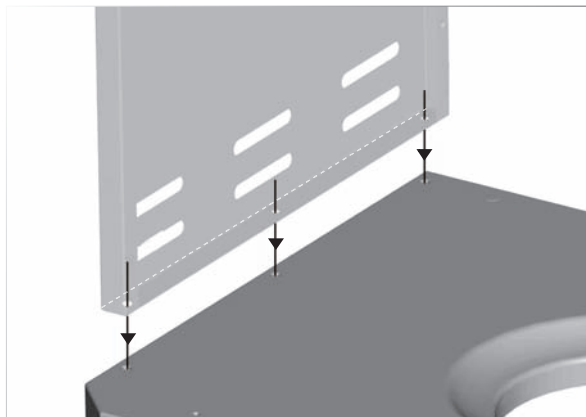
YOU WILL NEED:



2



Front view

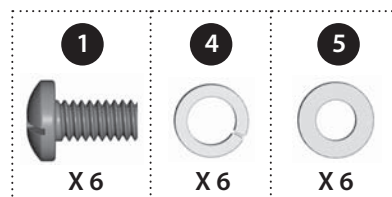


Close up

Ensure that the wheels are firmly locked in the "ON" position before continuing.

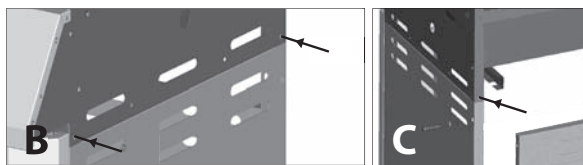
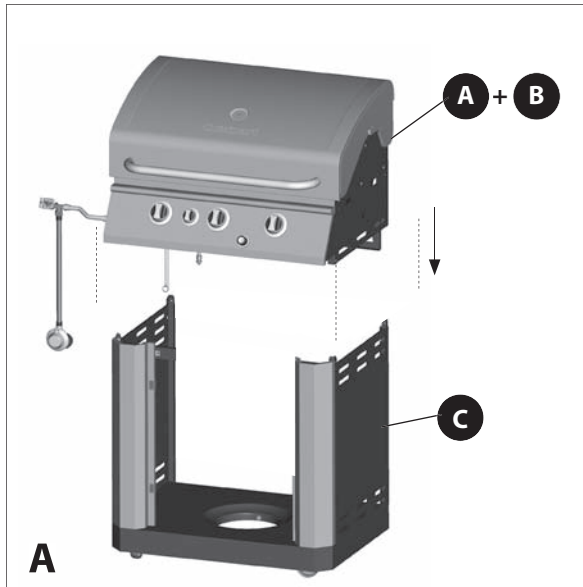
Assemble the left side panel (EA) and the right side panel (EB) to the bottom shelf (EG).

YOU WILL NEED:



ASSEMBLY INSTRUCTIONS

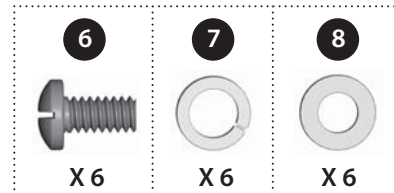
5



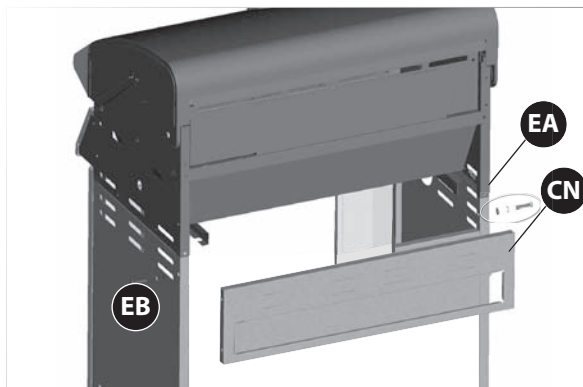
THIS STEP REQUIRES 3 OR MORE PEOPLE. DO NOT ATTEMPT ALONE. EXTREMELY HEAVY.

- Position the top lid and burner box assembly (A and B) onto cart assembly (C) as shown.
- Use the hardware to connect both parts, on the left and right sides, at the three points indicated in Figure B and C.

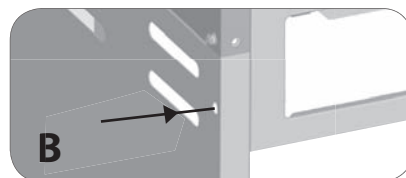
YOU WILL NEED:



6



Back view

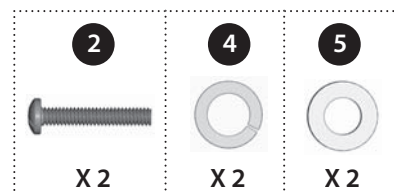


Attach the upper back panel (CN) to both the left and right side panels (EA and EB).

Only install hardware in the bottom portion of the back panel, as shown in figure B.

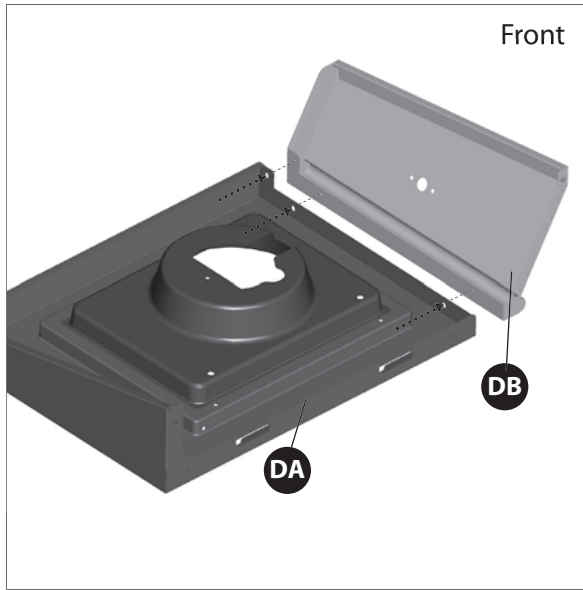
DO NOT TIGHTEN SCREW UNTIL SIDE SHELF HAS BEEN INSTALLED

YOU WILL NEED:



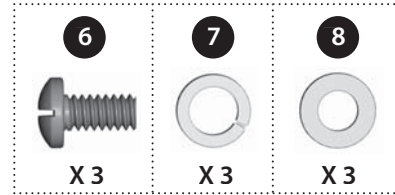
ASSEMBLY INSTRUCTIONS

9

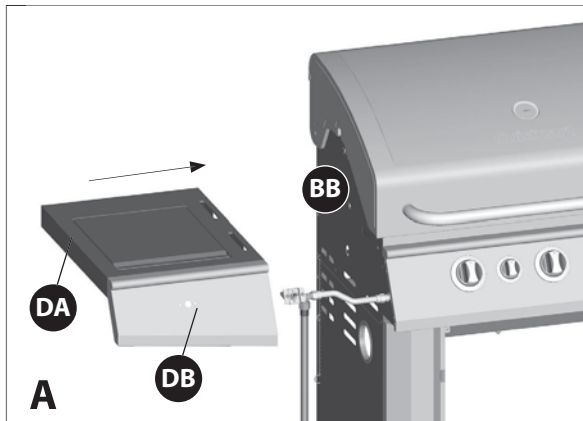


Attach the left shelf fascia (DB) to the left side shelf table (DA).

YOU WILL NEED:



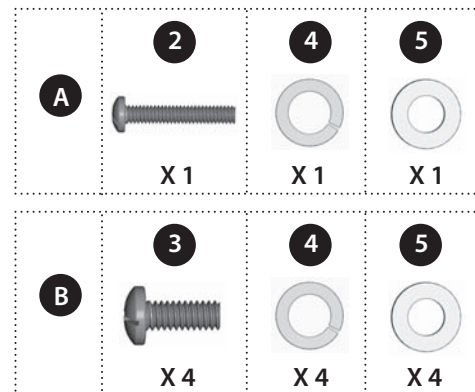
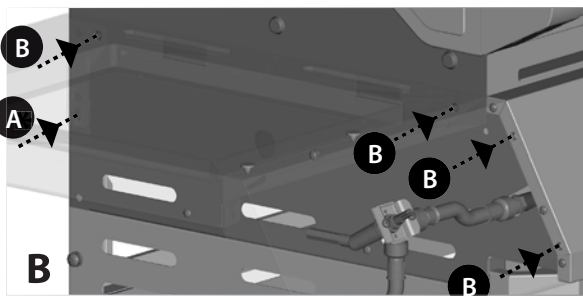
10



TIP: To position the left side shelf, insert the two hooks on the side shelf assembly into the two openings located on the upper left side panel (BB).

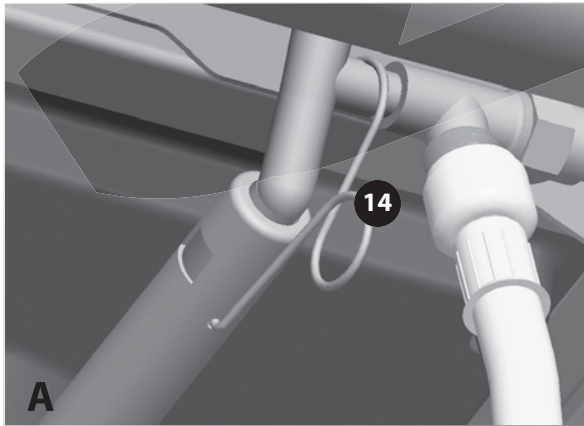
Assemble the right side shelf assembly to the cart assembly, as shown in figure B.

YOU WILL NEED:



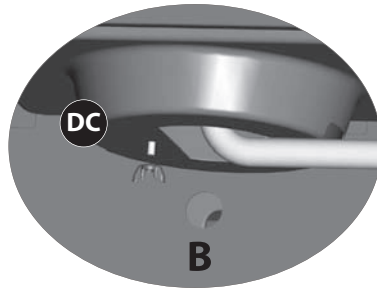
ASSEMBLY INSTRUCTIONS

13



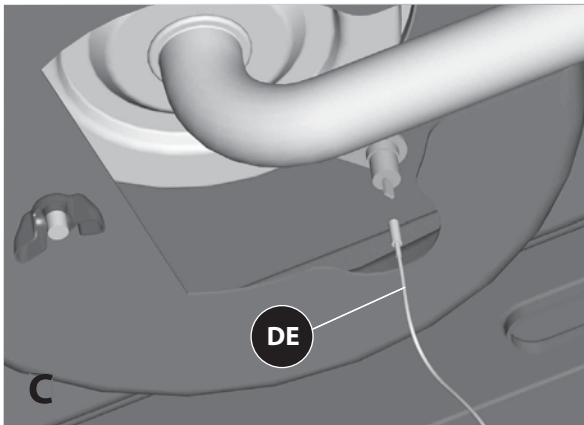
- a. Use the side burner Venturi clip (#14) to connect the side burner to the side burner valve.

YOU WILL NEED:



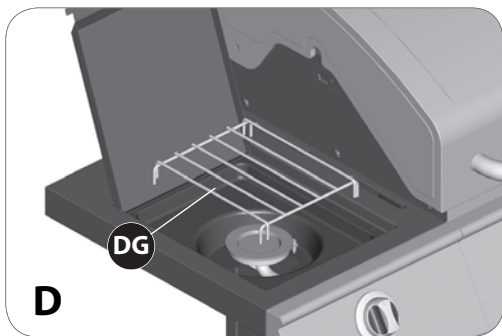
- c. Using the wing nut provided, assemble the side burner to the side burner drip pan (DC), as shown in figure C.

YOU WILL NEED:



- d. Attach the end of the side burner electrode wire (DE) to the underside of the side burner electrode, as shown in figure D.

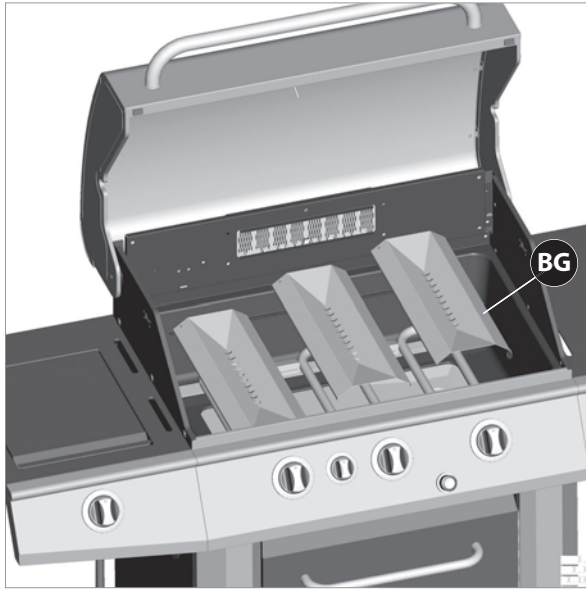
Ensure that the wire is pushed in firmly.



- e. Place the side burner cooking grate (DG) into position on the side burner shelf, as shown in figure E.

ASSEMBLY INSTRUCTIONS

16



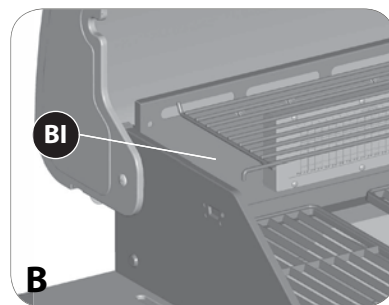
Model may not be exactly as shown.

Place the flame tamers (BG) into the burner box.

17



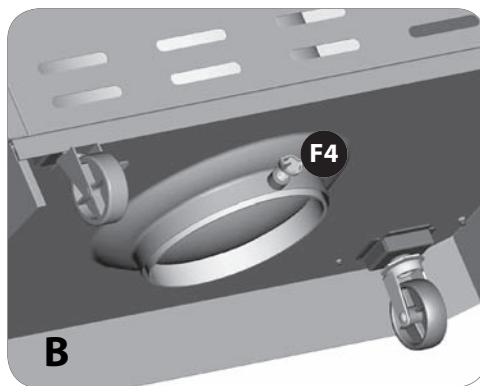
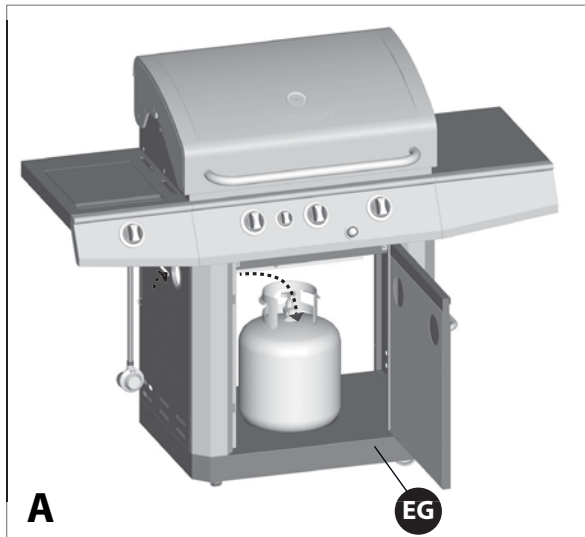
a. Place the cooking grates (BH) into the burner box, as shown in figure A.



b. Insert the three small positioning rods of the warming rack (BI) into the rear panel of the burner box.

ASSEMBLY INSTRUCTIONS

20



FOR PROPANE MODEL ONLY.

For natural gas model, follow step 20.

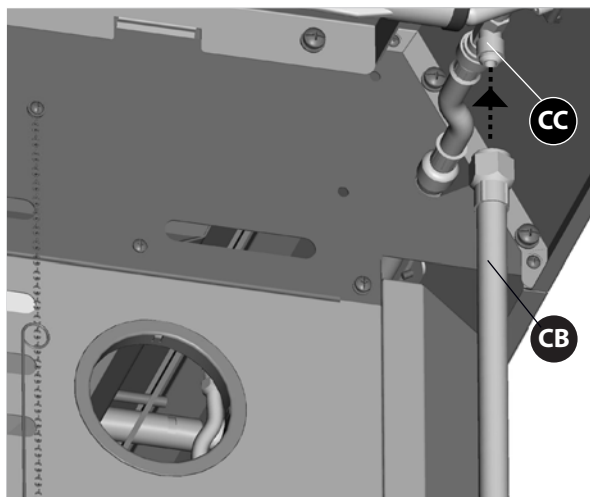
- a. Position the 20 lb propane tank onto the bottom shelf (EG), and secure using the bolt (F4) (already attached) located on the underside of the bottom shelf, as shown in figure B.

- b. Attach the regulator coupling nut to the LP cylinder valve.

▲ ATTENTION: For your families safety, do not attempt to light this BBQ until you have reviewed pages 4-7 of the Cuisinart™ Safety & Care Manual. All Safety and Leak test **MUST BE PERFORMED BY THE END USER**, prior to lighting this BBQ.

▲ WARNING
Do not store extra propane tanks within BBQ cart.

21



FOR NATURAL GAS MODEL ONLY.

Attach the natural gas hose (CB) to the side burner valve (CC) as shown.

▲ ATTENTION: In order to complete installation of your Natural Gas BBQ a 1/2" or 3/8" adapter may be required to connect your BBQ's Natural Gas hose to your home gas supply. Contact your Natural Gas supplier to purchase the necessary part.