

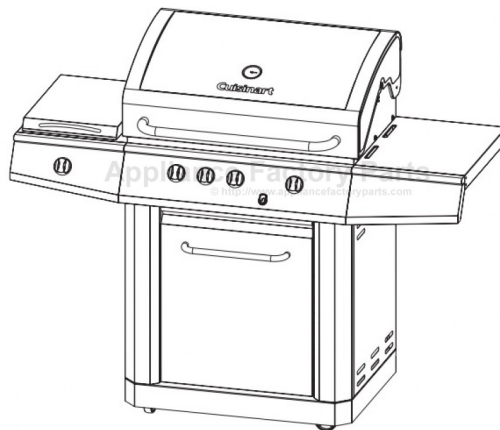
This Owner's Manual is provided and hosted by [Appliance Factory Parts](#).



# CUISINART G51219 Owner's Manual

[Shop genuine replacement parts for CUISINART  
G51219](#)

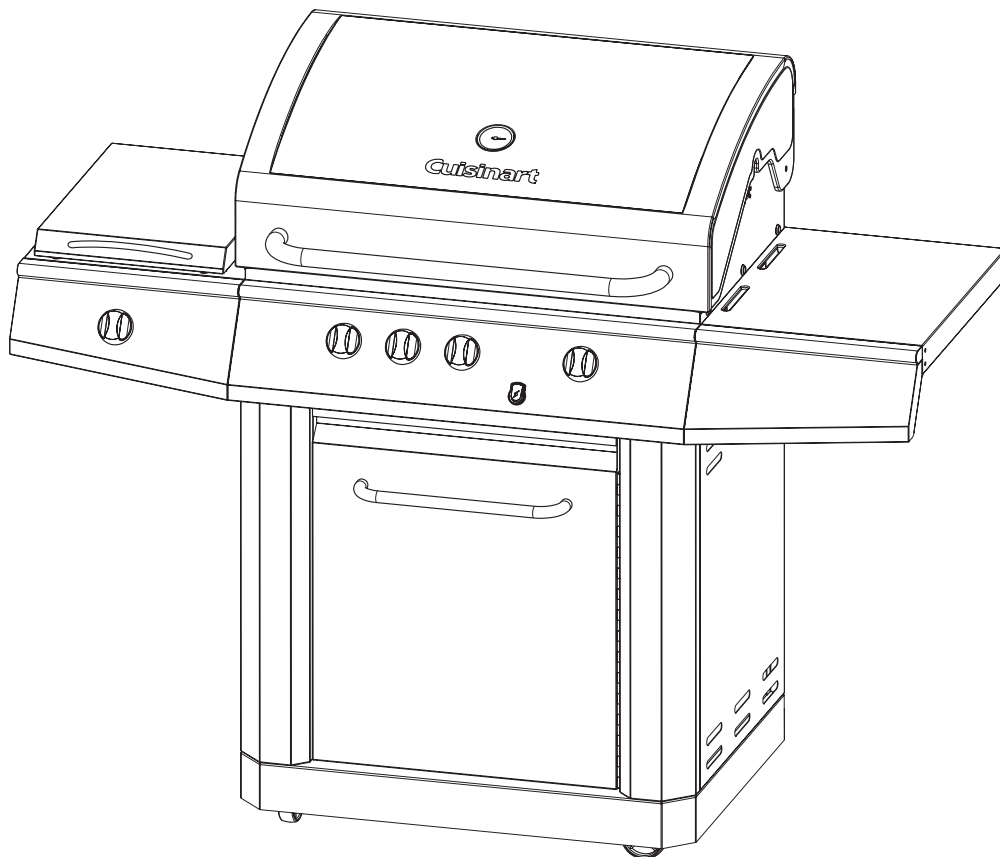
**Cuisinart™**



[Find Your CUISINART Grill Parts - Select From 152 Models](#)

----- Manual continues below -----

# Cuisinart™



## **CUISINART™ C792IRS-R** **Assembly Manual**

85-3034-0 (G51219) Propane  
85-3035-8 (G51220) Natural Gas

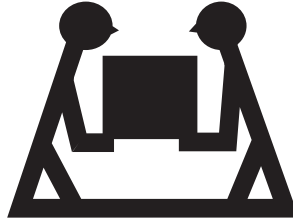
**LIMITED 5-YEAR WARRANTY**

**Read and save manual for future reference.**

**Assemble your grill immediately.  
Missing or damaged parts should be  
claimed within 30 days of purchase.**

**For product inquiries, parts, warranty and troubleshooting support,  
please call 1-800-309-3452.**

**[www.cuisinartbbqs.com](http://www.cuisinartbbqs.com)**



## HEAVY ARTICLE NEEDS 2 TO LIFT

### **THIS MANUAL MUST REMAIN WITH THE PRODUCT AT ALL TIMES**

---

To ORDER non-warranty replacement parts or accessories, or to register your warranty, please visit us on the web at [www.cuisinartbbqs.com](http://www.cuisinartbbqs.com)

---

#### **⚠ CAUTION**

Sharp edges. Wear gloves when assembling your grill.

---

#### **⚠ CAUTION**

Read and follow all safety statements, assembly instructions, and use and care directions before attempting to assemble and cook.

---

#### **⚠ INSTALLER OR ASSEMBLER/CONSUMER**

This manual should be kept with the BBQ at all times.

---

#### **⚠ WARNING**

Failure to follow all of the Manufacturer's instructions could result in hazardous fires, explosions, property damage, or serious personal injury or even death.

Follow all leak check procedures carefully prior to operation of barbecue, even if grill was dealer assembled. Do not try to light this barbecue without reading the Lighting Instructions section of this manual.

---

#### **⚠ DANGER**

1. If you smell Gas:

- a. Shut off gas to the appliance
- b. Extinguish any open flame
- c. Open lid
- d. If odor continues, keep away from the appliance and immediately call your gas supplier or your fire department

2. Requires two people to complete the assembly process.

3. Beware of sharp edges.

---

#### **⚠ WARNING**

1. Do not store or use gasoline or other flammable liquids or vapours in the vicinity of this or any other appliance.
  2. An LP cylinder not connected for use shall not be stored in the vicinity of this or any other appliance.
- 

**THIS BARBECUE IS FOR OUTDOOR USE ONLY**

**CONTACT CALL CENTRE IF ANY PARTS ARE MISSING**

**1-800-309-3452**

# PARTS LIST (PROPANE) FOR 85-3034-0 (G51219)

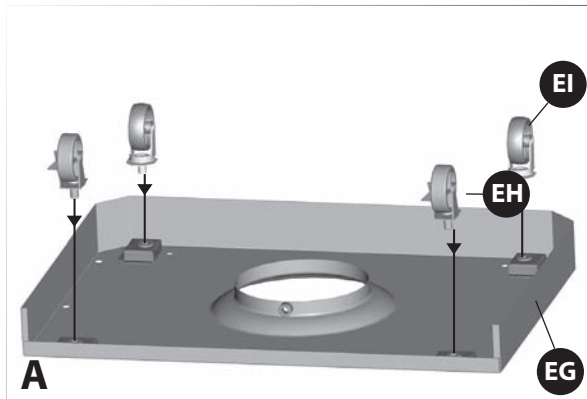
Item	Qty.	Description	Part No.	Item	Qty.	Description	Part No.
AA	1	Top Lid	G512-B800-01	CN	1	Upper Back Panel	G512-0071-01
AB	1	Lid Handle	G512-0053-01	CO	1	Heat Shield	G512-0026-01
AC	1	Thermometer	G512-0085-01				
AD	2	Screw for Top Lid	G501-0005-02	DA	1	Side Shelf Table- Left	G512-9100-01
AE	2	Lid Bumper	G508-0063-01	DB	1	Side Shelf Fascia- Left	G512-0066-01
				DC	1	Infrared Support Frame	G512-9200-01
BA	1	Burner Box Assembly	G512-B500-02	DD	1	Infrared Side Burner	G512-C400-01
BA1	1	Rotisserie Burner Brace	G512-0015-01	DE	1	Electrode Set, Infrared Zone	G610-0009-01
BB	1	Upper Side Panel- Left	G512-C200-01	DF1	1	Lid Infrared Zone	G512-0074-01
BC	1	Upper Side Panel- Right	G512-B200-01	DF2	1	Lid Handle Infrared Zone	G512-0078-01
BD	2	Main Burner-A	G607-0700-A1	DG	1	Cooking Grate Infrared Zone	G512-0060-01
BE	1	Main Burner-B	G502-1800-A1	DH	1	Side Shelf Table-Right	G512-9900-01
BF	1	Carryover Assembly	G502-0012-01	DI	1	Side Shelf Fascia-Right	G512-0064-01
BG	3	Flame Tamer	G512-0079-01	DJ	1	Infrared Wind Shield	G512-0077-01
BH	3	Cooking Grate, Burner Box	G512-0062-01	DK	1	Infrared Grease Tray	G614-0075-01
BI	1	Warming Rack	G512-0080-01	DL	1	Infrared Side Burner Windshield	G614-0073-01
BJ	1	Infrared Rotisserie Burner	G617-2900-01				
BK1	1	Electrode Set, Rotisserie Burner	G411-0002-01	EA	1	Cart Side Panel-Left	G512-9500-01
BK2	1	Ground Wire, Rotisserie Burner	G411-0004-01	EB	1	Cart Side Panel, Right	G512-9600-01
BK3	1	Wind Shield, Rotisserie	G617-0036-01	EC	1	Pillar, Left	G512-B400-01
BL	1	Match Holder	G608-0019-01	ED	1	Pillar, Right	G512-8700-01
				EE	2	Magnet Assembly	G501-00F2-02
CA	1	Manifold Assembly with Coupling	G512-A800-01	EF	1	Door Assembly	G512-B300-01
CB	1	Regulator	G433-0034-01	EG	1	Bottom Shelf	G512-9800-01
CC	1	Valve, Infrared Sideburner LP	G512-0081-01	EH	2	Wheel with Lock	G515-0082-01
CD	1	Metal Hose, Sideburner	G608-0039-01	EI	2	Wheel	G350-0024-01
CE1	1	Rotisseries Flexible Hose	G601-0055-A1	EJ	1	Towel Bar	G512-0063-01
CE2	1	Rotisserie LP Orifice	G411-0013-02				
CF1	1	Electronic Igniter Assembly	G512-0070-02	F1	1	Hardware Pack	G512-B019-01
CF2	1	Electronic Ignition Button	G512-0070-01	F2	1	Instruction Manual	G512-M019-01
CG	3	Electrode Set, Main Burner	G512-0059-01	F3	1	Safe Use & Care Manual	G412-M008-02
CH	3	Control Knob Assy	G512-7900-01	F4	1	Tank Screw	G505-0047-01
CI	1	Rotisserie Knob Assy	G512-9400-01				
CJ	1	Control Panel	G512-0056-01				
CK	1	Front Brace	G512-0072-01				
CL	1	Grease Tray	G512-A000-01				
CM	1	Grease Cup	G416-0015-01				

# PARTS LIST (NATURAL GAS) FOR 85-3035-8 (G51220)

Item	Qty.	Description	Part No.	Item	Qty.	Description	Part No.
AA	1	Top Lid	G512-B800-01	CN	1	Upper Back Panel	G512-0071-01
AB	1	Lid Handle	G512-0053-01	CO	1	Heat Shield	G512-0026-01
AC	1	Thermometer	G512-0085-01				
AD	2	Screw for Top Lid	G501-0005-02	DA	1	Side Shelf Table- Left	G512-9100-01
AE	2	Lid Bumper	G508-0063-01	DB	1	Side Shelf Fascia- Left	G512-0066-01
				DC	1	Infrared Support Frame	G512-9200-01
BA	1	Burner Box Assembly	G512-B500-02	DD	1	Infrared Side Burner	G512-C400-01
BA1	1	Rotisserie Burner Brace	G512-0015-01	DE	1	Electrode Set, Infrared Zone	G610-0009-01
BB	1	Upper Side Panel- Left	G512-C200-01	DF1	1	Lid Infrared Zone	G512-0074-01
BC	1	Upper Side Panel- Right	G512-B200-01	DF2	1	Lid Handle Infrared Zone	G512-0078-01
BD	2	Main Burner-A	G607-0700-A1	DG	1	Cooking Grate Infrared Zone	G512-0060-01
BE	1	Main Burner-B	G502-1800-A1	DH	1	Side Shelf Table-Right	G512-9900-01
BF	1	Carryover Assembly	G502-0012-01	DI	1	Side Shelf Fascia-Right	G512-0064-01
BG	3	Flame Tamer	G512-0079-01	DJ	1	Infrared Wind Shield	G512-0077-01
BH	3	Cooking Grate, Burner Box	G512-0062-01	DK	1	Infrared Grease Tray	G614-0075-01
BI	1	Warming Rack	G512-0080-01	DL	1	Infrared Side Burner Windshield	G614-0073-01
BJ	1	Infrared Rotisserie Burner	G617-2900-01				
BK1	1	Electrode Set, Rotisserie Burner	G411-0002-01	EA	1	Cart Side Panel-Left	G512-9500-01
BK2	1	Ground Wire, Rotisserie Burner	G411-0004-01	EB	1	Cart Side Panel, Right	G512-9600-01
BK3	1	Wind Shield, Rotisserie	G617-0036-01	EC	1	Pillar, Left	G512-B400-01
BL	1	Match Holder	G608-0019-01	ED	1	Pillar, Right	G512-8700-01
				EE	2	Magnet Assembly	G501-00F2-02
CA	1	Manifold Assembly with Coupling	G512-A900-01	EF	1	Door Assembly	G512-B300-01
CB	1	Natural Gas Hose	G501-0099-01	EG	1	Bottom Shelf	G512-A700-01
CC	1	Valve, Infrared Sideburner LP	G512-0082-01	EH	2	Wheel with Lock	G515-0082-01
CD	1	Metal Hose, Sideburner	G608-0039-01	EI	2	Wheel	G350-0024-01
CE1	1	Rotisseries Flexible Hose	G601-0055-A1	EJ	1	Towel Bar	G512-0063-01
CE2	1	Rotisserie NG Orifice	G601-0072-02				
CF1	1	Electronic Igniter Assembly	G512-0070-02	F1	1	Hardware Pack	G512-B019-01
CF2	1	Electronic Ignition Button	G512-0070-01	F2	1	Instruction Manual	G512-M019-01
CG	3	Electrode Set, Main Burner	G512-0059-01	F3	1	Safe Use & Care Manual	G412-M008-02
CH	3	Control Knob Assy	G512-7900-01				
CI	1	Rotisserie Knob Assy	G512-9400-01				
CJ	1	Control Panel	G512-0056-01				
CK	1	Front Brace	G512-0072-01				
CL	1	Grease Tray	G512-A000-01				
CM	1	Grease Cup	G416-0015-01				

# ASSEMBLY INSTRUCTIONS

## 1



Back view



Close up

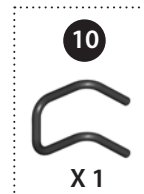
Separate the 2 different types of wheels, 2 locking wheels (EH) and 2 regular wheels (EI).

Insert the U Pin (#10) into one of the regular wheels (EI), as shown in image B. Attach the regular wheel (EI) to the front of the bottom shelf (EG), and use the U Pin (#10) to secure and tighten.

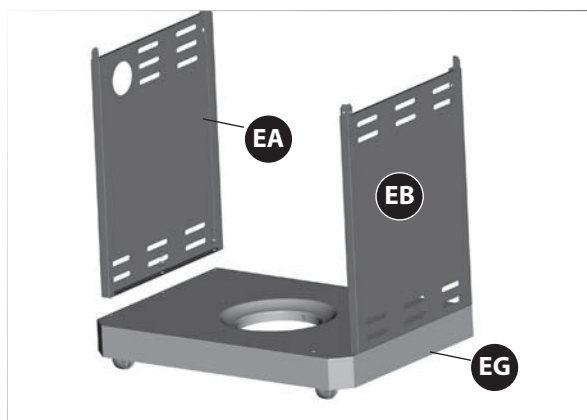
Repeat for remaining 3 wheels (EI & EH).

**NOTE:** Regular wheels (EI) need to be assembled to the front of the bottom shelf (EG), and wheels with lock (EH) need to be assembled to the back of the bottom shelf (EG), as shown in image A.

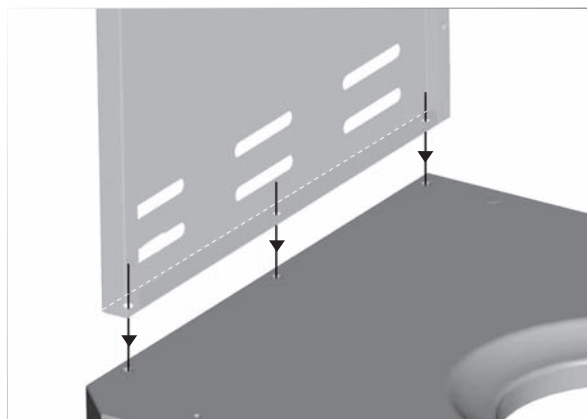
YOU WILL NEED:



## 2



Front view

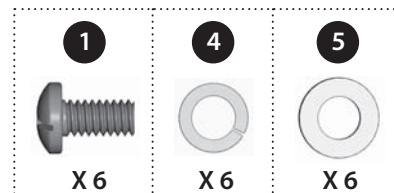


Close up

Ensure that the wheels are firmly locked in the "ON" position before continuing.

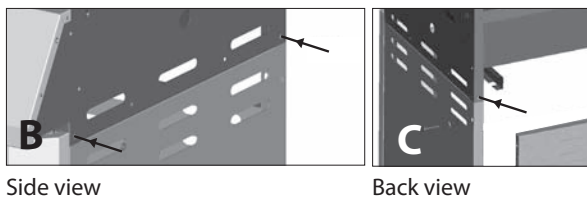
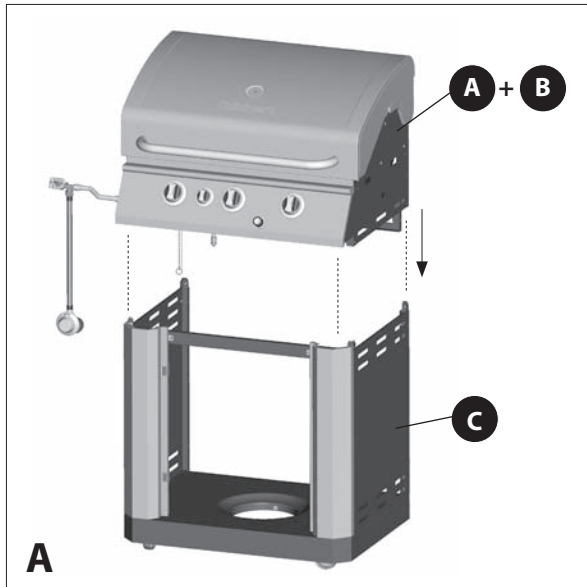
Assemble the left side panel (EA) and the right side panel (EB) to the bottom shelf (EG).

YOU WILL NEED:



# ASSEMBLY INSTRUCTIONS

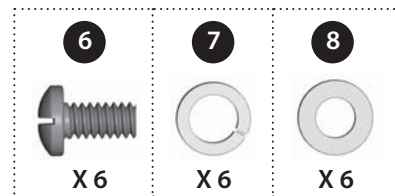
## 5



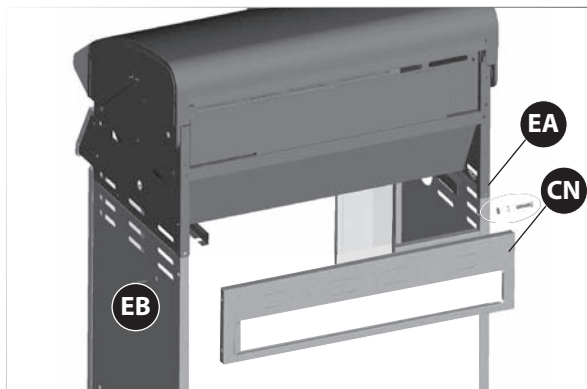
**THIS STEP REQUIRES 3 OR MORE PEOPLE. DO NOT ATTEMPT ALONE. EXTREMELY HEAVY.**

- Position the top lid and burner box assembly (A and B) onto cart assembly (C) as shown.
- Use the hardware to connect both parts, on the left and right sides, at the three points indicated in figure B and C.

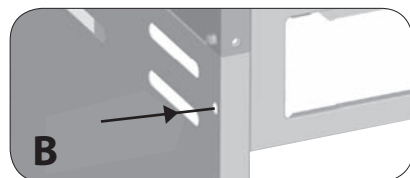
YOU WILL NEED:



## 6



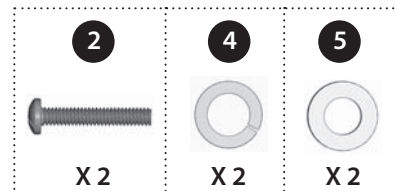
Back view



Attach the upper back panel (CN) to both the left and right side panels (EA and EB).

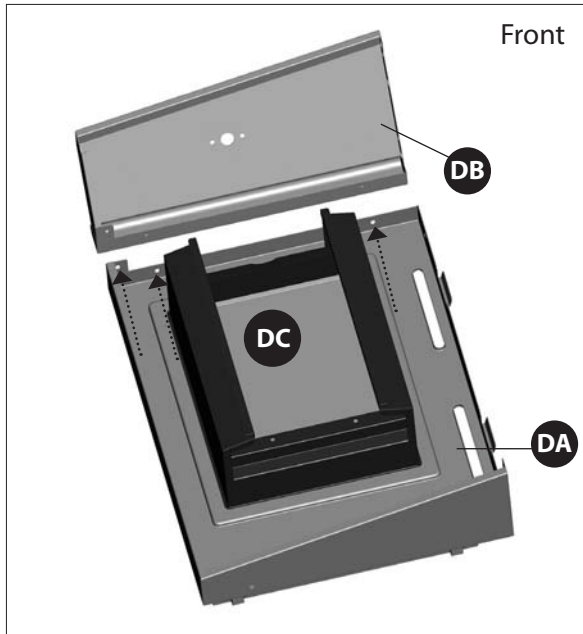
Only install hardware in the bottom portion of the back panel (CN), as shown in figure B.

YOU WILL NEED:



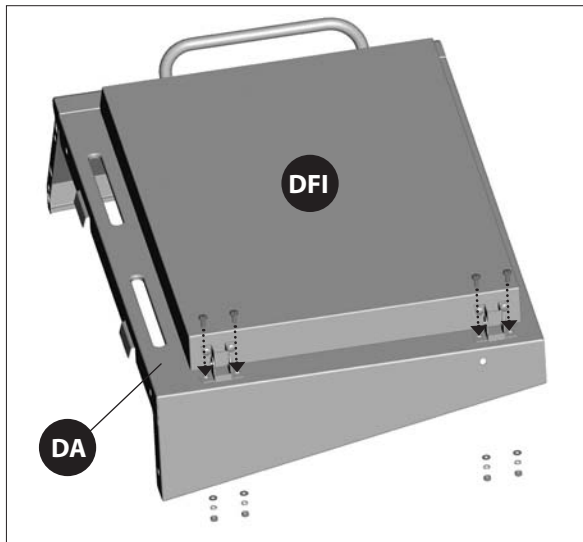
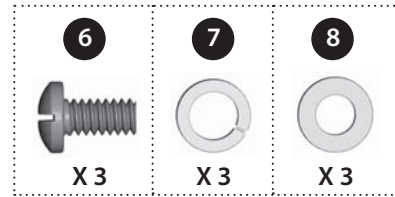
# ASSEMBLY INSTRUCTIONS

# 9



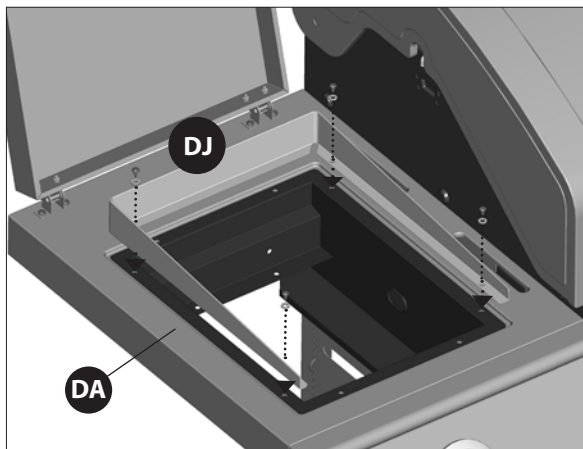
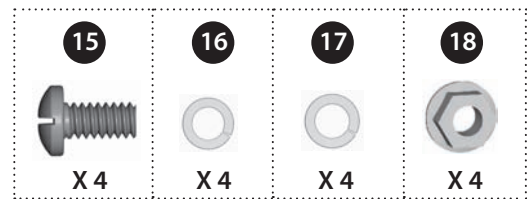
a. Attach the left side shelf fascia (DB) to the left side shelf table (DA).

YOU WILL NEED:



b. Attach the Infrared Zone lid (DF1) to the left side shelf table (DA).

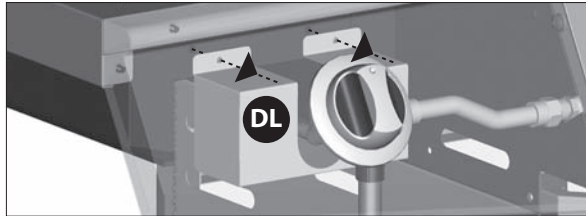
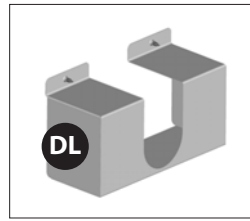
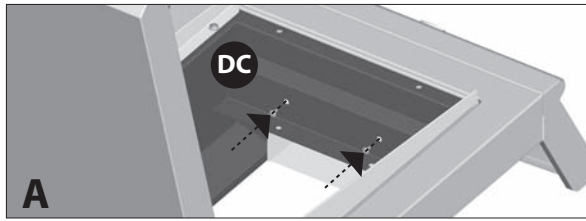
YOU WILL NEED:



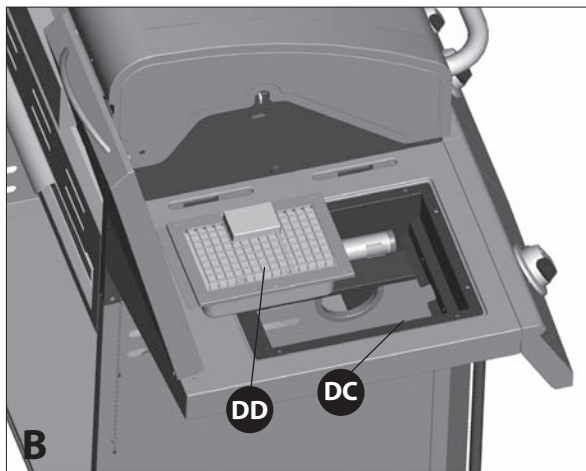
c. Remove the hardware from the infrared support frame (DC). Use the hardware to assemble the infrared wind shield (DJ) onto the infrared support frame (DC).

# ASSEMBLY INSTRUCTIONS

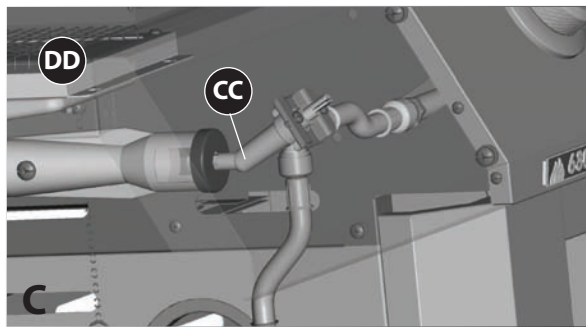
# 12



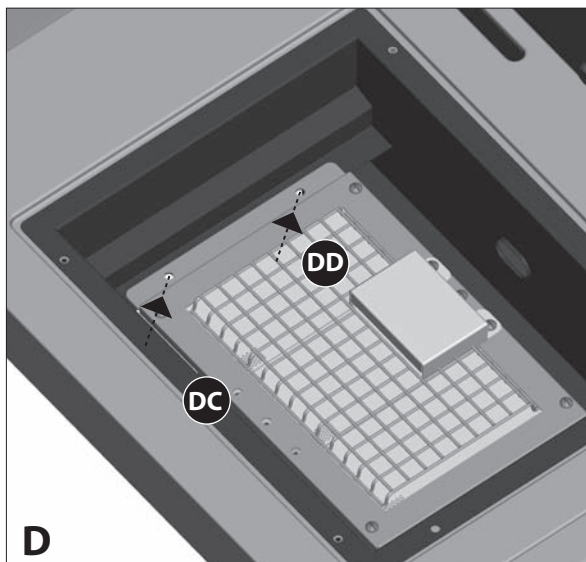
a. Remove the pre-assembled hardware from the infrared side burner windshield (DL). Use the hardware to assemble the infrared side burner windshield (DL) to the infrared support frame (DC), as shown in figure A.



b. Position the Infrared Zone burner (DD) through the opening in the Infrared support frame (DC).

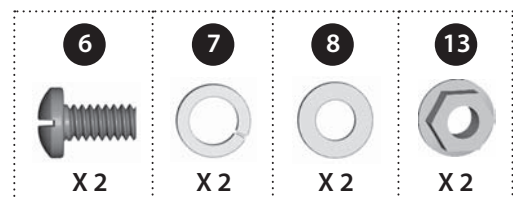


c. Make sure that the Infrared Zone burner (DD) engages the Infrared Zone burner valve (CC), gas jet, as shown in figure C.



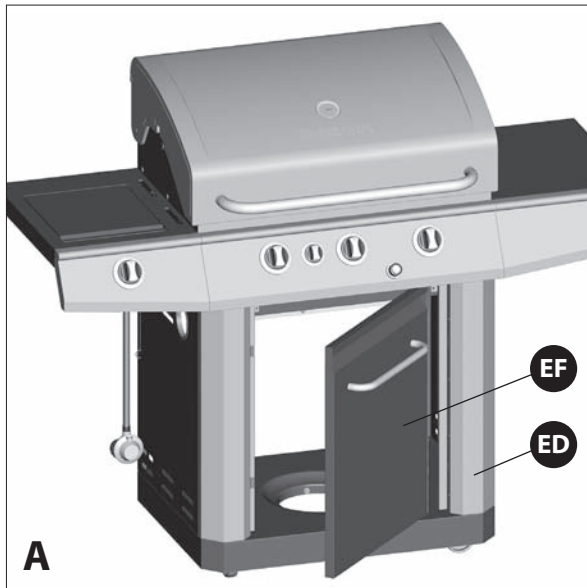
d. Assemble the Infrared Zone burner (DD) to the Infrared Zone support frame (DC), at the 2 points indicated in figure D.

YOU WILL NEED:



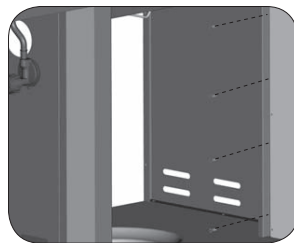
# ASSEMBLY INSTRUCTIONS

# 14



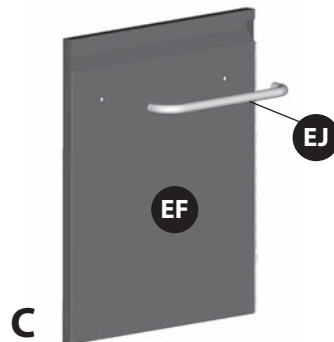
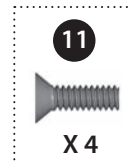
**TIP:** Before attempting to assemble the door (EF) to the right pillar (ED), locate the two clasps on the door hinge. Next, locate the two small openings on the right side pillar (ED).

a. Hold the door (EF) perpendicular to the BBQ Cart. Align the two clasps on the door hinge (EF), with the two holes on the right side pillar (ED). Once aligned, push the two clasps into the openings, and immediately push down to lock clasps in place.



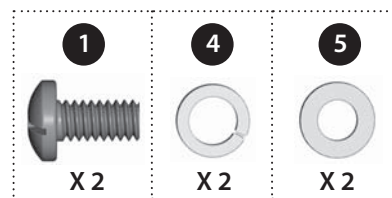
b. Assemble the door (EF) to the right pillar (ED), as shown in figure B, using the screws provided.

YOU WILL NEED:



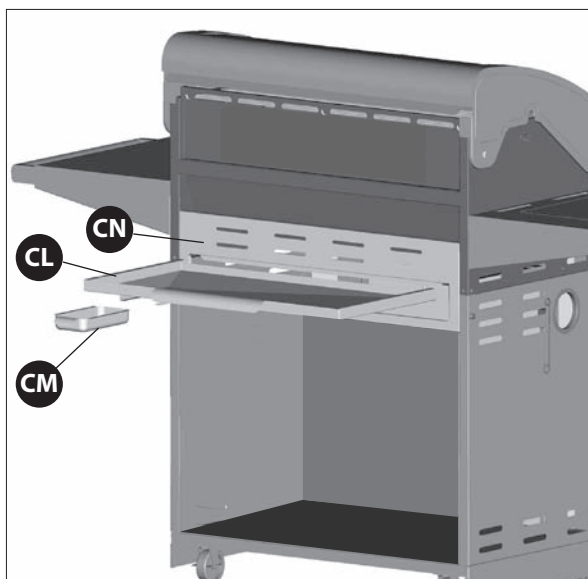
c. Assemble the towel bar (EJ) onto door (EF).

YOU WILL NEED:

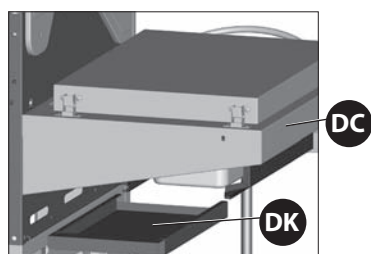


## ASSEMBLY INSTRUCTIONS

# 17

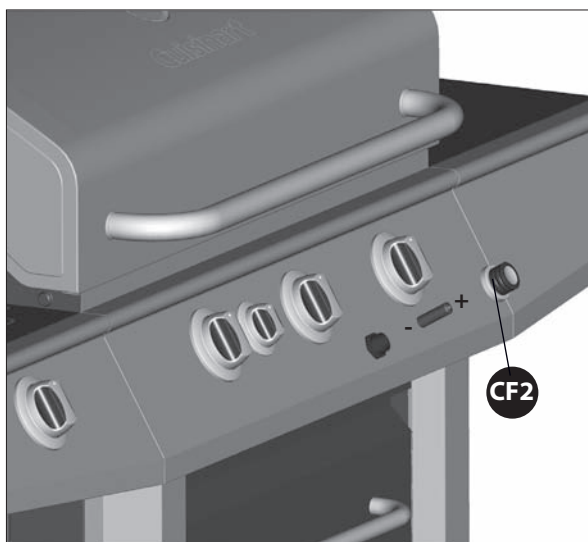


- Insert the grease tray (CL) into the opening in the upper back panel (CN), making sure to engage tracks located under burner box.
- Place the grease cup (CM) onto the tracks, located on the underside of the grease tray (CL).



- Slide the Infrared grease tray (DK) into the Infrared zone support frame (DC).

# 18



Unscrew the electronic ignitor button (CF2) and insert one AA battery into the electronic igniter battery compartment, with the positive end facing outward.

**\* Battery not included.**