

This Owner's Manual is provided and hosted by [Appliance Factory Parts](#).



# CUISINART G53504 Owner's Manual

[Shop genuine replacement parts for CUISINART  
G53504](#)



[Find Your CUISINART Grill Parts - Select From 152 Models](#)

----- Manual continues below -----

# Cuisinart® ASSEMBLY MANUAL



**Cuisinart® Gourmet *INFRARED* 810**

85-3110-8 (G53503) Propane  
85-3111-6 (G53504) Natural Gas

**READ AND SAVE MANUAL FOR FUTURE REFERENCE.**

**Assemble your grill immediately.**

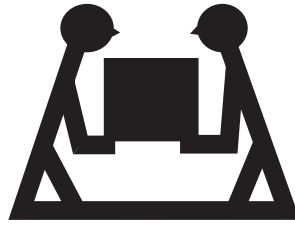
**Missing or damaged parts should be claimed within 30 days of purchase.**

**For product inquiries, parts, warranty and troubleshooting support, please call 1-800-309-3452.**

**[www.cuisinartbbqs.com](http://www.cuisinartbbqs.com)**

**LIMITED 5-YEAR WARRANTY**

Manual Revision #: 22092014 AT



## HEAVY ARTICLE NEEDS 2 TO LIFT

**THIS MANUAL MUST REMAIN WITH THE PRODUCT AT ALL TIMES**

To ORDER non-warranty replacement parts or accessories,  
or to register your warranty, please visit us on the web at  
[www.cuisinartbbqs.com](http://www.cuisinartbbqs.com)

### **⚠ CAUTION**

Sharp edges. Wear gloves when assembling your grill.

### **⚠ CAUTION**

Read and follow all safety statements, assembly instructions, use and care directions before attempting to assemble and cook.

### **⚠ INSTALLER OR ASSEMBLER/CONSUMER**

This manual should be kept with the BBQ at all times.

### **⚠ WARNING**

Failure to follow all of the Manufacturer's instructions could result in hazardous fires, explosions, property damage, or serious personal injury or even death.

Follow all leak check procedures carefully prior to operation of barbecue, even if grill was dealer assembled. Do not try lighting this BBQ without reading the Lighting Instructions section of the Safety and Care Manual that accompanies this grill.

### **⚠ DANGER**

1. If you smell Gas:
  - a. Shut off gas to the appliance
  - b. Extinguish any open flame
  - c. Open lid
  - d. If odor continues, keep away from the appliance and immediately call your gas supplier or your fire department
2. Do not store or use gasoline or other flammable liquids or vapours in the vicinity of this or any other appliance.
3. An LP cylinder not connected for use shall not be stored in the vicinity of this or any other appliance.

### **⚠ DANGER**

1. Do not store or use gasoline or other flammable liquids or vapours in the vicinity of this or any other appliance.
2. An LP cylinder not connected for use shall not be stored in the vicinity of this or any other appliance.

### **⚠ CAUTION**

Avoid burns. The stainless steel and steel surfaces of this barbecue can become extremely hot, in direct sun and while the barbecue is in operation.

**THIS BARBECUE IS FOR OUTDOOR USE ONLY**

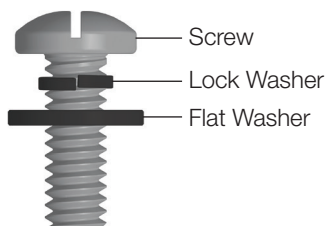
CUISINART® CUSTOMER CARE HOTLINE  
1-800-309-3452

# HARDWARE PACK

## Tools Needed for Assembly

- #2 Phillips screwdriver (long and short)
- 1/4" Slotted screwdriver (long and short)
- Adjustable wrench
- Pliers
- Rubber Mallet

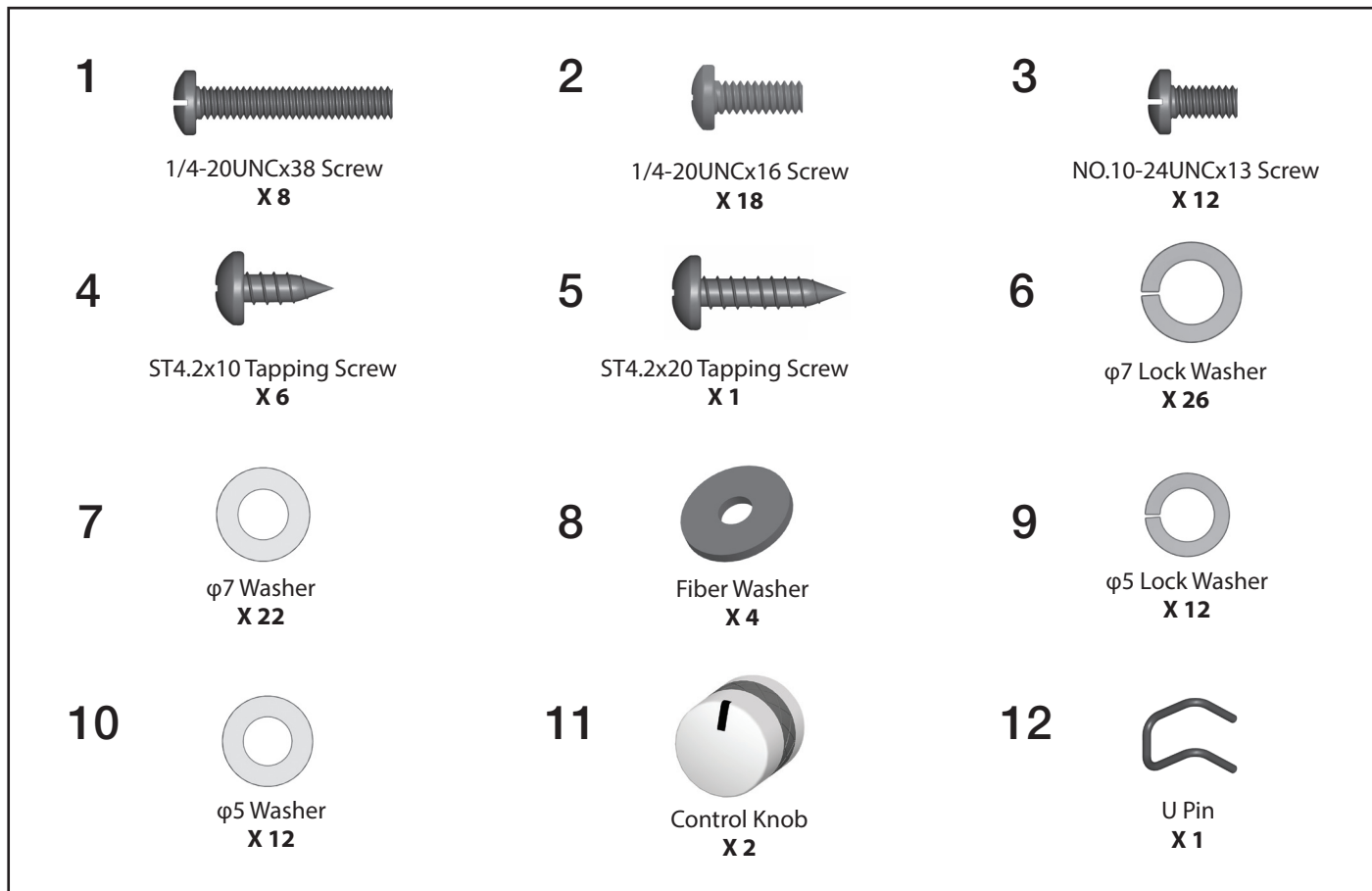
**For correct hardware assembly, always position the lock washer between the screw and the flat washer.**



**Note: Do not fully tighten all the nuts during this initial stage**

No.	Description	Part Number	Qty.
1	1/4-20UNCx38 Screw	20120-13038-250	8
2	1/4-20UNCx16 Screw	20120-13016-250	18
3	NO. 10-24UNCx13 Screw	20124-13013-250	12
4	ST4.2x10 Tapping Screw	22500-42010-137	6
5	ST4.2x20 Tapping Screw	22500-42020-137	1
6	φ7 Lock Washer	41400-07000-250	26
7	φ7 Washer	40300-07000-250	22
8	Fiber Washer	G466-0042-9000	4
9	φ5 Lock Washer	41400-05000-250	12
10	φ5 Washer	40300-05000-250	12
11	Control Knob	G618-0014-9000	2
12	U Pin	G350-0026-9000	1

**⚠ Caution:**  
Sheet metal can cause injury. Wear gloves when installing this grill.



**BEFORE ASSEMBLING THE BARBECUE, READ THESE INSTRUCTIONS CAREFULLY.**  
Assemble the barbecue on a flat, clean surface. Grill is heavy. Two people are recommended to complete assembly.

# PARTS LIST (PROPANE) FOR 85-3110-8 (G53503)

Item No.	Qty.	Description	Part No.	Item No.	Qty.	Description	Part No.
AA	1	Top lid	G535-2000-01	DA	1	Side Shelf Table - Right	G535-0400-02
AB	1	Lid Handle	G535-0002-01	DB	1	Side Shelf Fascia - Right	G535-0500-02
AC	2	Lid Handle End Cap	G358-0004-01	DC	1	Infrared Support Frame	G535-3500-01
AD	1	Thermometer	G512-0085-01	DD	1	Infrared Zone Side Burner	G614-8500-01
AE	2	Screw for Top Lid	G359-0030-01	DE	1	Electrode Set, Infrared Zone	G614-0092-01
AF	2	Lid Bumper	G527-0002-01	DF	1	Lid, Infrared Zone	G501-0070-02
AG	1	Logo	G618-0054-01	DG	1	Cooking Grate, Infrared Zone	G525-0055-01
BA1	1	Burner Box Assembly	G535-3600-02	DH	1	Infrared Grease Tray	G614-0075-01
BA2	1	Burner Box Surround	G535-1500-01	DI	1	Infrared Side Burner Wind shield	G614-0073-01
BB	3	Main Burner	G525-3800-02	DJ	1	Side Shelf Table - Left	G525-0600-01
BC	1	Carryover Assembly	G535-0033-01	DK	1	Side Shelf Fascia - Left	G535-2500-01
BD	3	Flame Tamer	G525-0015-01	EA	1	Cart Side Panel - Left	G535-0009-01
BE	3	Cooking Grate, Burner Box	G525-0016-01	EB	1	Cart Side Panel - Right	G525-0010-01
BF	1	Warming Rack	G525-0017-01	EC	1	Bottom Shelf - LP	G535-0900-01
BG	1	Stainless Steel Rotisserie Burner	G535-3800-01	ED	2	Wheel with Lock	G350-0023-01
BH	1	Electrode Set, Rotisserie Burner	G453-0033-01	EE	2	Wheel	G350-0024-01
BI	1	Wind Shield, Rotisserie Burner	G501-00B1-01	EF	1	Left Door Assembly	G535-2100-01
BJ	1	Collector Box, Rotisserie Burner	G501-00C1-01	EG	1	Right Door Assembly	G535-2200-01
BK	1	Match Holder	G501-0068-01	EH	2	Door Handle	G517-0011-01
BL	1	Rotisserie LP Valve	G535-0024-01	EI	4	Door Magnet Assembly	G501-00F2-03
BM	2	Lid Support Pin	G525-0014-02	F1	1	Hardware pack	G535-B003-01
CA	1	Manifold Assembly - LP	G535-1700-01	F2	1	Assembly Manual	G535-M003-01
CB	1	Regulator	G510-0006-01	F3	1	Safety and Care Manual	G535-M003-02
CC	1	Infrared Side Burner Valve - LP	G535-0023-01	F4	1	Tank Screw	G505-0047-01
CD	2	Metal Hose	G508-0024-01				
CE1	1	Rotisserie Flexible Hose	G601-0055-A1				
CE2	1	Rotisserie LP Orifice	G525-0057-01				
CF1	1	Electronic Ignition Assembly	G535-0032-01				
CF2	1	Electronic Ignition Battery Cap	G535-0031-02				
CG	3	Electrode Set, Main Burner	G525-0030-01				
CH	5	Control Knob	G618-0014-01				
CI	5	Bezel, Control Knob	G525-0012-01				
CJ	1	Control Panel	G535-0008-01				
CK	1	Front Brace	G535-5000-01				
CL	1	Grease Tray	G350-4400-01				
CM	1	Upper Back Panel	G535-0013-01				
CN	1	Heat Shield	G525-0022-01				
CO	1	Left Track	G515-0024-01				
CP	1	Right Track	G515-0025-01				
CQ	1	Lower Back Panel	G535-0012-01				

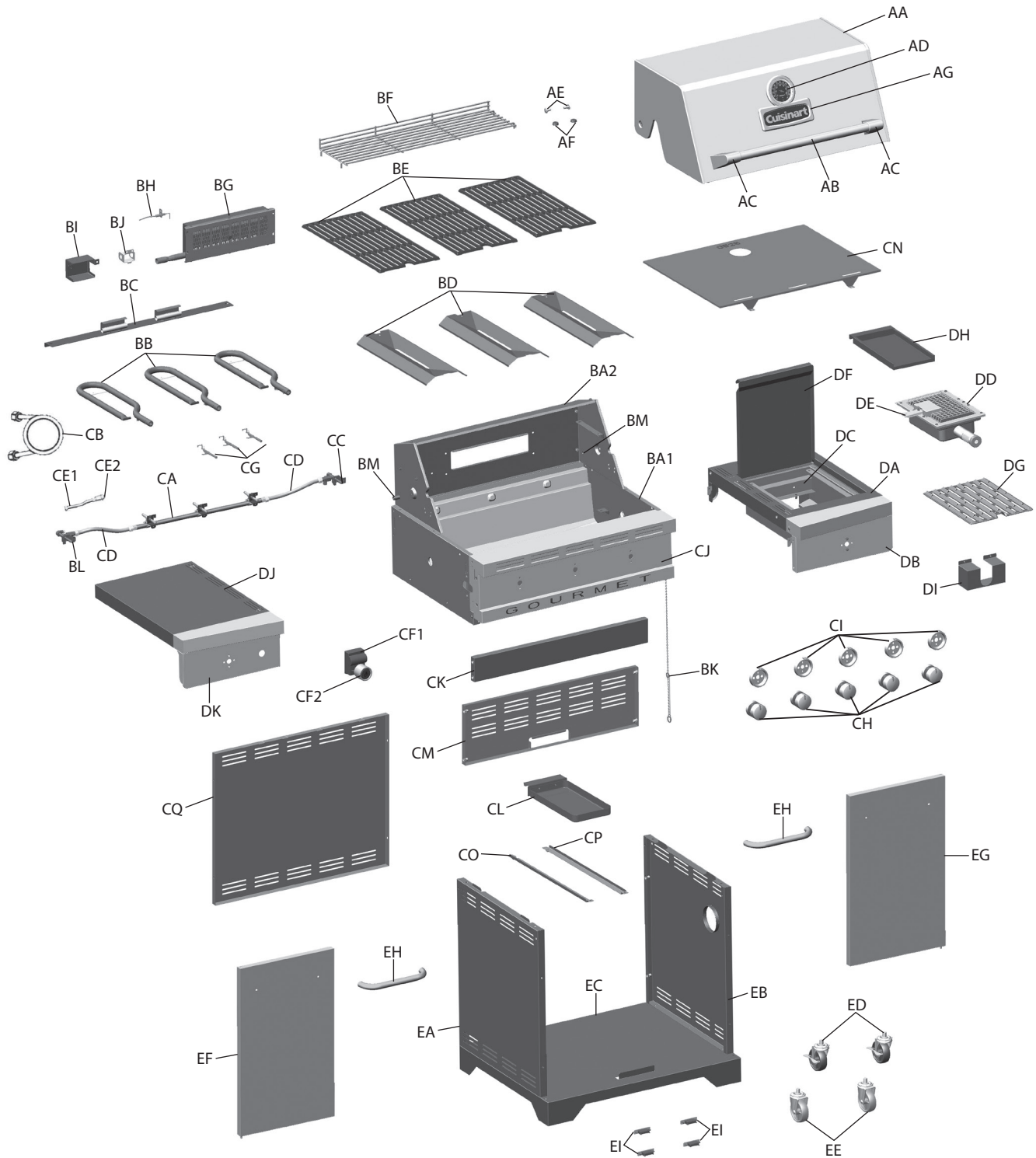


# PARTS LIST (NATURAL GAS) FOR 85-3111-6 (G53504)

Item No.	Qty.	Description	Part No.
AA	1	Top lid	G535-2000-01
AB	1	Lid Handle	G535-0002-01
AC	2	Lid Handle End Cap	G358-0004-01
AD	1	Thermometer	G512-0085-01
AE	2	Screw for Top Lid	G359-0030-01
AF	2	Lid Bumper	G527-0002-01
AG	1	Logo	G618-0054-01
BA1	1	Burner Box Assembly	G525-3600-02
BA2	1	Burner Box Surround	G535-1500-01
BB	3	Main Burner	G525-3800-02
BC	1	Carryover assembly	G535-0033-01
BD	3	Flame Tamer	G525-0015-01
BE	3	Cooking Grate, Burner Box	G525-0016-01
BF	1	Warming Rack	G525-0017-01
BG	1	Stainless Steel Rotisserie Burner	G535-3800-01
BH	1	Electrode Set, Rotisserie Burner	G453-0033-01
BI	1	Wind Shield, Rotisserie Burner	G501-00B1-01
BJ	1	Collector Box, Rotisserie Burner	G501-00C1-01
BK	1	Match Holder	G501-0068-01
BL	1	Rotisserie NG Valve	G535-0028-01
BM	2	Lid Support Pin	G525-0014-02
CA	1	Manifold Assembly - NG	G535-2800-01
CB	1	Natural Gas Hose	G501-0099-01
CC	1	Infrared Side Burner Valve - NG	G535-0027-01
CD	2	Metal Hose	G508-0024-01
CE1	1	Rotisserie Flexible Hose	G601-0055-A1
CE2	1	Rotisserie NG orifice	G512-0048-01
CF1	1	Electronic Ignition Assembly	G535-0032-01
CF2	1	Electronic Ignition Battery Cap	G535-0031-02
CG	3	Electrode Set, Main Burner	G525-0030-01
CH	5	Control Knob	G618-0014-01
CI	5	Bezel, Control Knob	G525-0012-01
CJ	1	Control Panel	G535-0008-01
CK	1	Front Brace	G535-5000-01
CL	1	Grease Tray	G350-4400-01
CM	1	Upper Back Panel	G535-0013-01
CN	1	Heat Shield	G525-0022-01
CO	1	Left Track	G515-0024-01
CP	1	Right Track	G515-0025-01
CQ	1	Lower Back Panel	G535-0012-01

Item No.	Qty.	Description	Part No.
DA	1	Side Shelf Table - Right	G535-0400-02
DB	1	Side Shelf Fascia - Right	G535-0500-02
DC	1	Infrared Support Frame	G535-3500-01
DD	1	Infrared Zone Side Burner	G614-8500-01
DE	1	Electrode Set, Infrared Zone	G614-0092-01
DF	1	Lid, Infrared Zone	G501-0070-02
DG	1	Cooking Grate, Infrared Zone	G525-0055-01
DH	1	Infrared Grease Tray	G614-0075-01
DI	1	Infrared Side Burner Wind shield	G614-0073-01
DI	1	Side Shelf Table - Left	G535-0600-01
DJ	1	Side Shelf Fascia - Left	G535-2500-01
EA	1	Cart Side Panel - Left	G535-0009-01
EB	1	Cart Side Panel - Right	G535-0010-01
EC	1	Bottom Shelf - NG	G535-3400-01
ED	2	Wheel with Lock	G350-0023-01
EE	2	Wheel	G350-0024-01
EF	1	Left Door Assembly	G535-2100-01
EG	1	Right Door Assembly	G535-2200-01
EH	2	Door Handle	G517-0011-01
EI	4	Door Magnet Assembly	G501-00F2-03
F1	1	Hardware pack	G535-B003-01
F2	1	Assembly Manual	G535-M003-01
F3	1	Safety and Care Manual	G535-M003-02

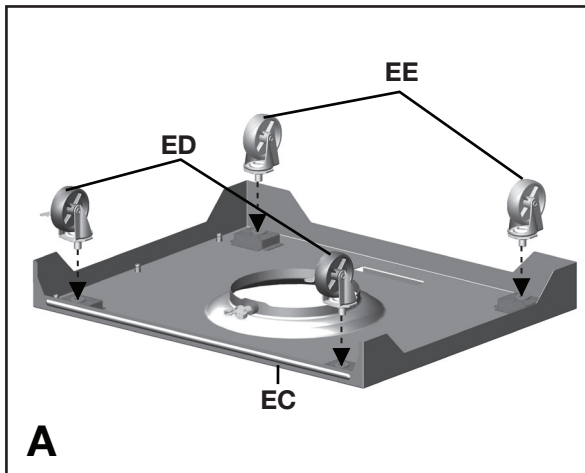
# EXPLODED DIAGRAM (NATURAL GAS) FOR 85-3111-6 (G53504)



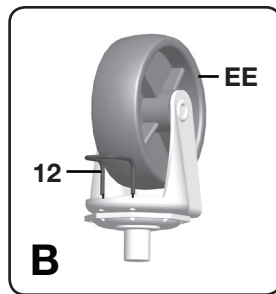
EXTRAS		
Hardware Pack <b>F1</b>	Assembly Manual <b>F2</b>	Safe Use & Care Manual <b>F3</b>

# ASSEMBLY INSTRUCTIONS

## 1.



Back view



Close up

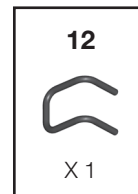
Separate the 2 different types of wheels, 2 Locking Wheels (ED) and 2 Regular Wheels (EE).

Insert the U Pin (#12) into one of the Regular Wheels (EE), as shown in image B. Attach the Regular Wheel (EE) to the front of the Bottom Shelf (EC), and use the U Pin (#12) to secure and tighten.

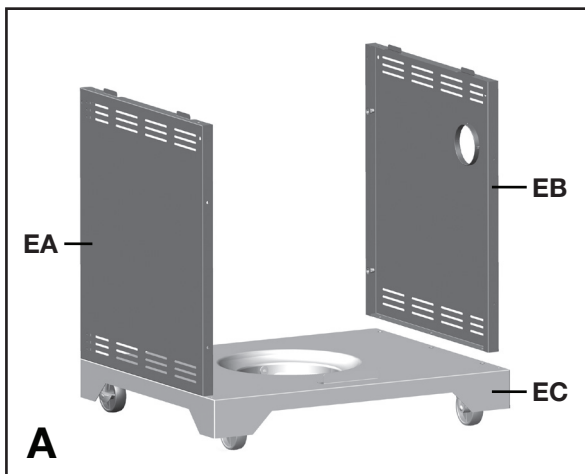
Repeat for remaining 3 Wheels (EE & ED).

**NOTE:** Regular Wheels (EE) need to be assembled to the front of the Bottom Shelf (EC), and Wheels with Lock (ED) need to be assembled to the back of the Bottom Shelf (EC), as shown in image A.

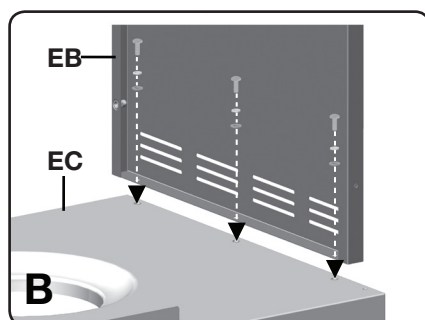
**YOU WILL NEED:**



## 2.



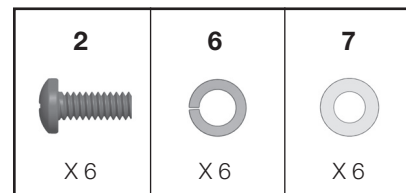
Front view



Close up

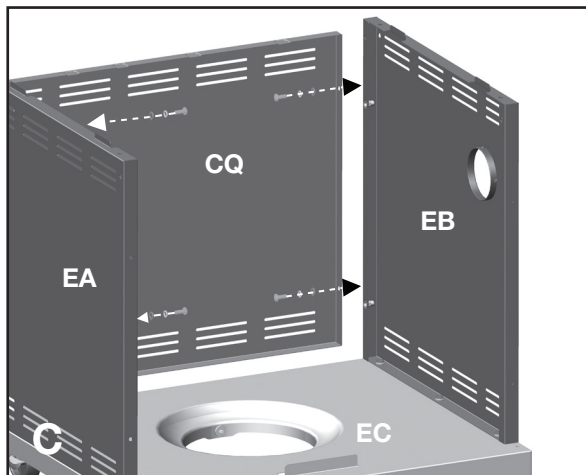
- Ensure that the wheels are firmly locked in the "ON" position before continuing.
- Assemble the Left Cart Side Panel (EA) and the Right Cart Side Panel (EB) to the Bottom Shelf (EC).

**YOU WILL NEED:**



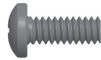


# ASSEMBLY INSTRUCTIONS

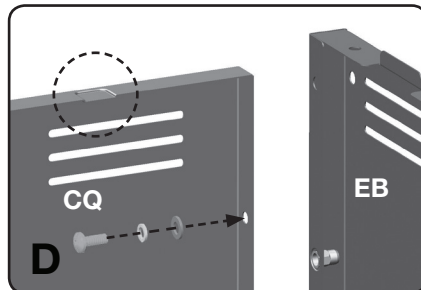
## 2.



c. Assemble the Lower Back Panel (CQ) to the Left Cart Side Panel (EA) and Right Cart Side Panel (EB).

### YOU WILL NEED:

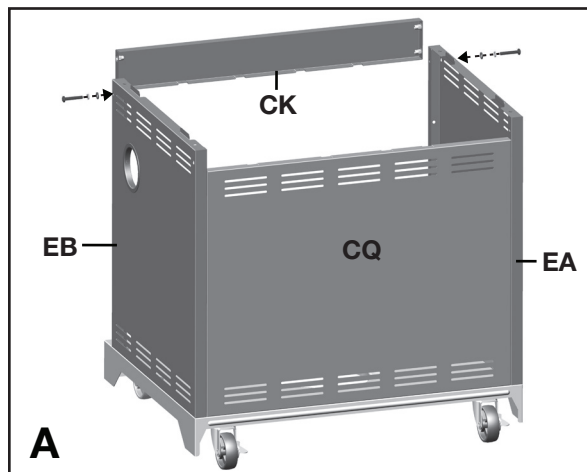
<b>2</b>	<b>6</b>	<b>7</b>
		
X 4	X 4	X 4



Close up

**TIP:** The top of the lower back panel (CQ) can be identified by the four recesses located on the top of this part.

## 3.






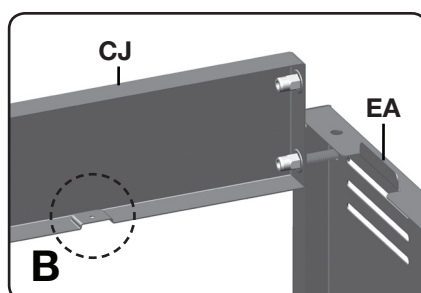
Back view

Attach the Front Brace (CK) to the Left and Right Cart Side Panels (EA and EB).

**TIP:** One person should align the left side, while the second person assembles the right side.

### YOU WILL NEED:

<b>1</b>	<b>6</b>	<b>7</b>
		
X 2	X 2	X 2

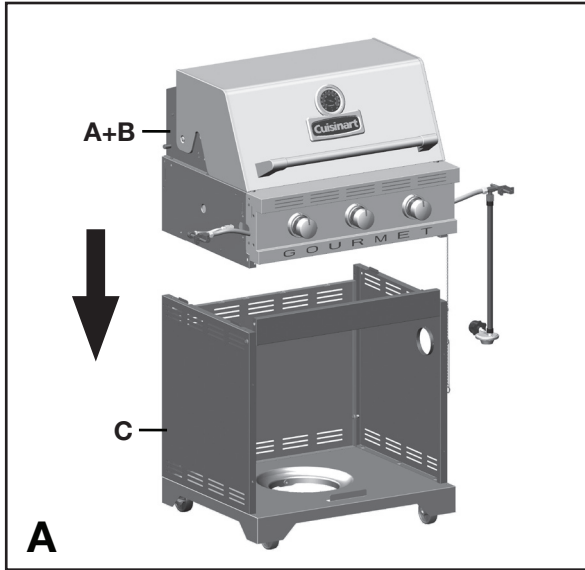


Close up

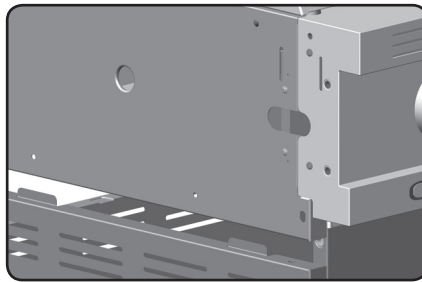
**TIP:** The bottom of the front brace (CJ) can be identified by the four recesses located on the bottom of this part.

# ASSEMBLY INSTRUCTIONS

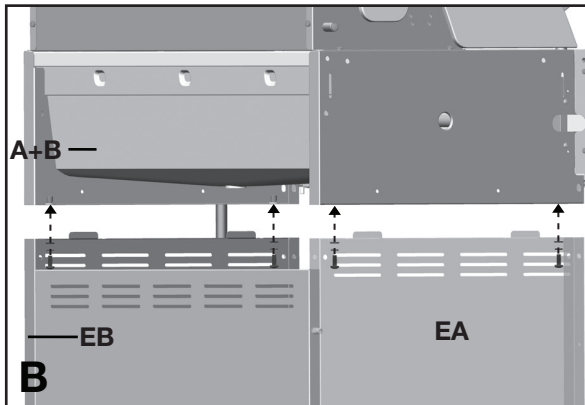
## 4.



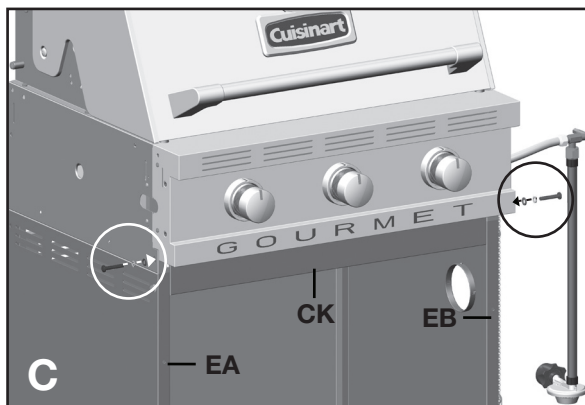
Front view



Close up - left outside view



Back view






Front view

**THIS STEP REQUIRES 3 PEOPLE.  
DO NOT ATTEMPT ALONE. EXTREMELY  
HEAVY.**

a. Position the Top Lid and Burner Box Assembly (A and B) onto Cart Assembly (C), as shown.




b. Assemble Burner Box Assembly (A and B) to the Left and Right Cart Side Panels (EA and EB), as shown.

**YOU WILL NEED:**

<b>2</b>	<b>6</b>	<b>7</b>
		
X 4	X 4	X 4

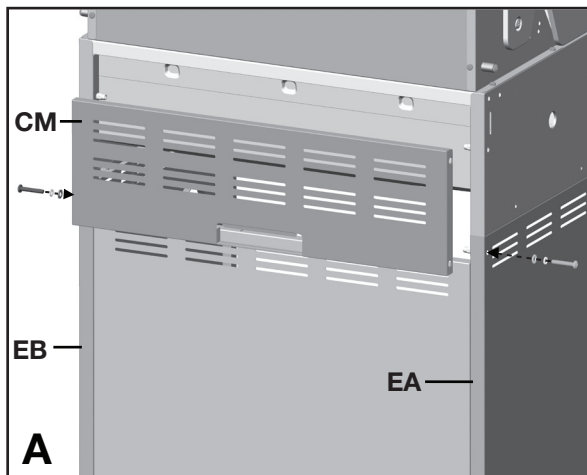
c. Assemble the front of the Burner Box Assembly (A and B) to the Front Brace (CK), as shown.

**YOU WILL NEED:**

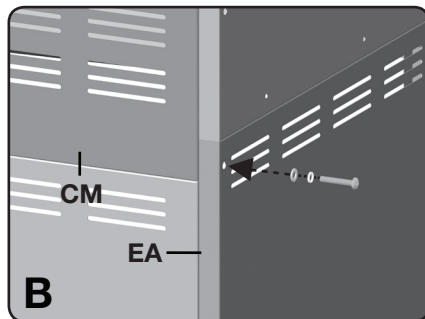
<b>1</b>	<b>6</b>	<b>7</b>
		
X 2	X 2	X 2

# ASSEMBLY INSTRUCTIONS

## 5.



Back view






Close up

Attach the Upper Back Panel (CM) to both the Left and Right Cart Side Panels (EA and EB).

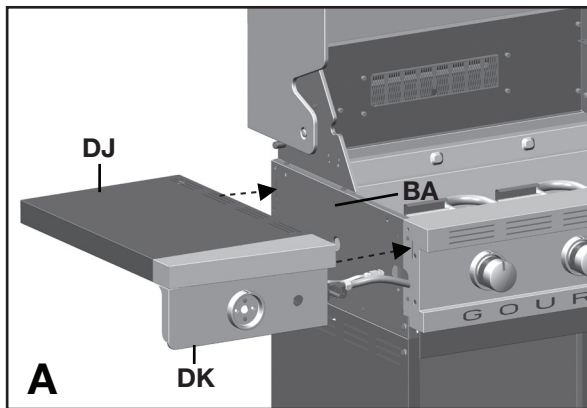
Only install hardware in the bottom portion of the Upper Back Panel (CM), as shown in figure B.

**DO NOT TIGHTEN SCREWS UNTIL SIDE SHELF HAS BEEN INSTALLED.**

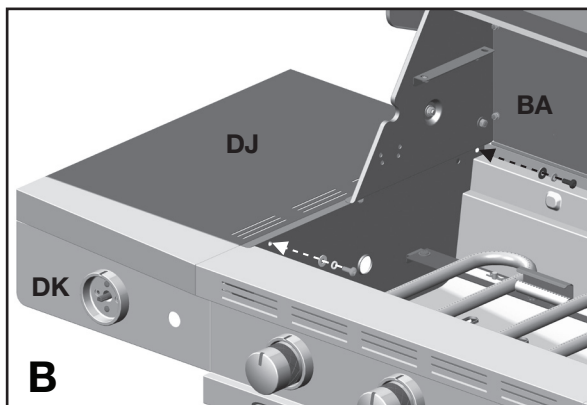
**YOU WILL NEED:**

<b>1</b>	<b>6</b>	<b>7</b>
		
X 2	X 2	X 2

## 6.



Front, left side view






View inside burner box

a. Open the Lid. Assemble the Left Side Shelf Assembly (DJ and DK) to the Cart Assembly by inserting the Side Shelf Tabs into holes on the Cart Assembly (figure A).

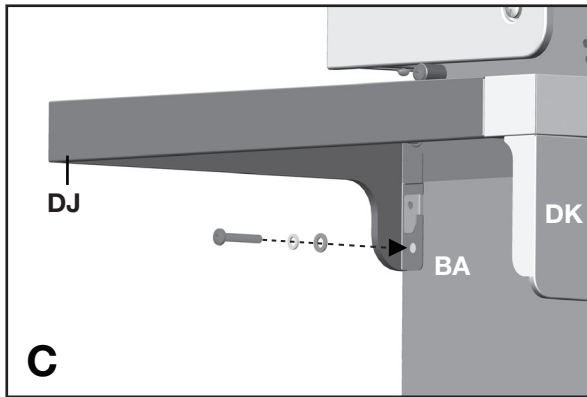
b. Secure using hardware, as shown in figure B, C & D.

**YOU WILL NEED:**

<b>2</b>	<b>6</b>	<b>8</b>
		
X 2	X 2	X 2




# ASSEMBLY INSTRUCTIONS

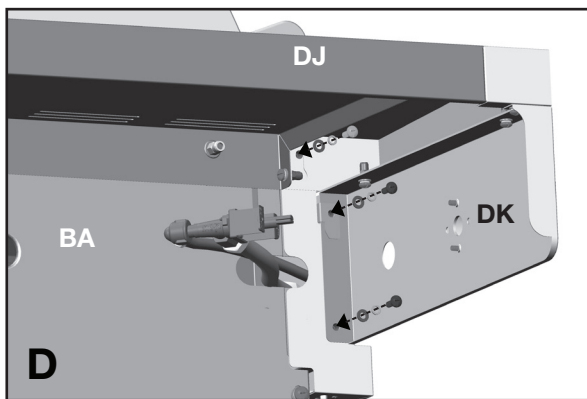
## 6.



View under left side shelf (back)

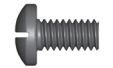


**YOU WILL NEED:**

<b>1</b>	<b>6</b>	<b>7</b>
		
X 1	X 1	X 1



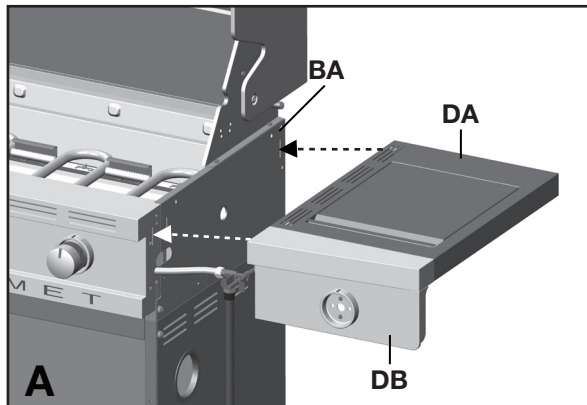
View under left side shelf (front)

**YOU WILL NEED:**

<b>3</b>	<b>9</b>	<b>10</b>
		
X 3	X 3	X 3

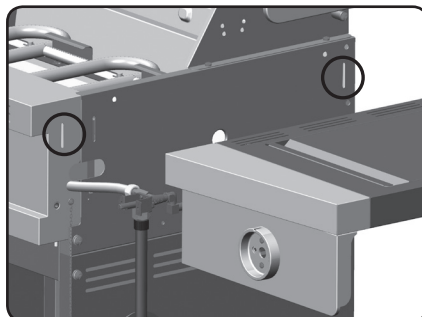
**NOTE:** Beware of sharp edges.

## 7.



Front, right side view

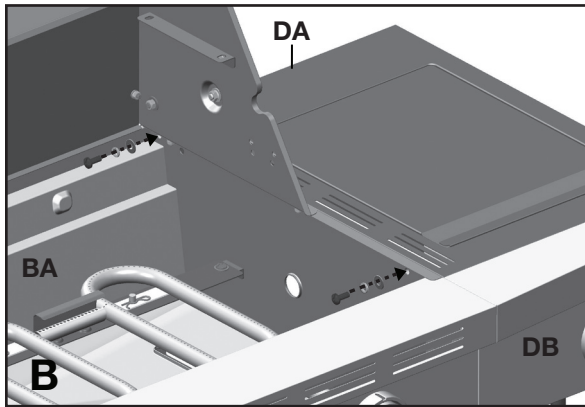
a. Open the lid. Assemble the Right Side Shelf Assembly (DA and DB) to the Cart Assembly by inserting the Side Shelf tabs into the holes on the Cart Assembly (figure A).



Close up

# ASSEMBLY INSTRUCTIONS




## 7.

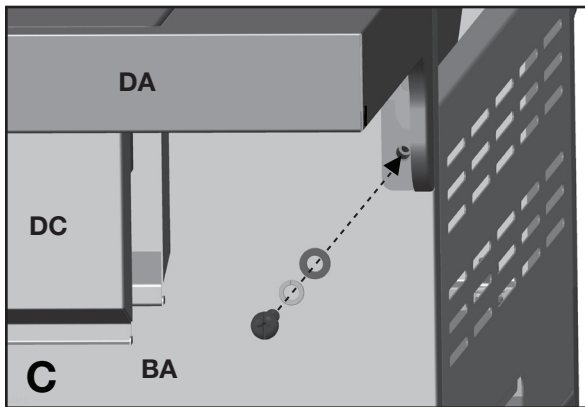


View inside burner box

b. Secure using hardware, as shown in figure B, C and D.




**YOU WILL NEED:**

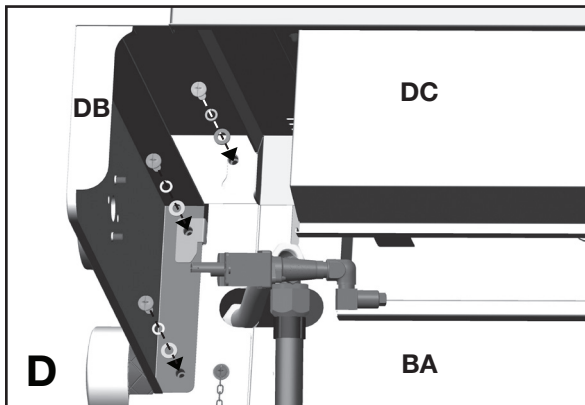
<b>2</b>	<b>6</b>	<b>8</b>
		
X 2	X 2	X 2



View under right side shelf (back)




**YOU WILL NEED:**

<b>1</b>	<b>6</b>	<b>7</b>
		
X 1	X 1	X 1



View under right side shelf (front)

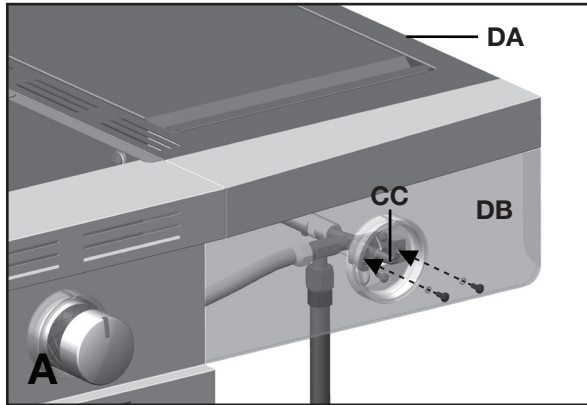
**YOU WILL NEED:**

<b>3</b>	<b>9</b>	<b>10</b>
		
X 3	X 3	X 3

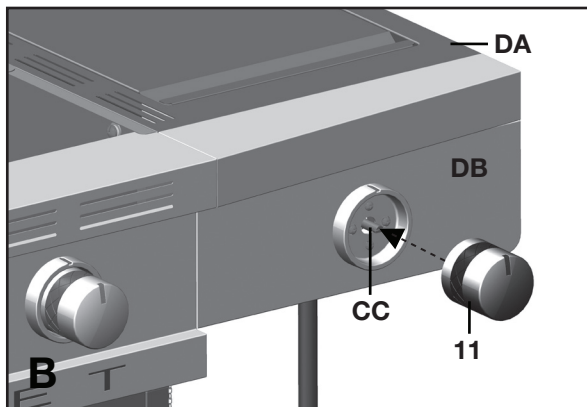
**NOTE:** Beware of sharp edges.

# ASSEMBLY INSTRUCTIONS

## 8.



Front, right side view



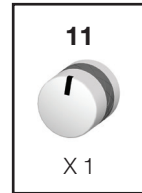
Front, right side view

a. Remove the hardware that is pre-assembled to the Side Burner Valve bracket (CC), as shown in figure A.

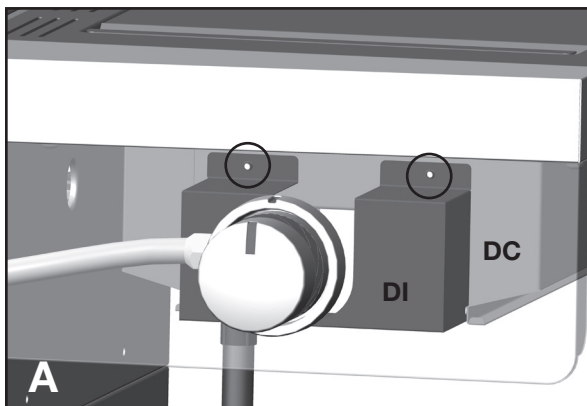
b. Insert the Side Burner Valve stem (CC) through the rear of the Right Side Shelf Fascia (DB). Assemble the Side Burner Valve (CC) to the Side Shelf Fascia (DB), using the hardware removed (figure A).

c. Assemble the Side Burner Control Knob (#11) to the Side Burner Valve (CC) (figure B).

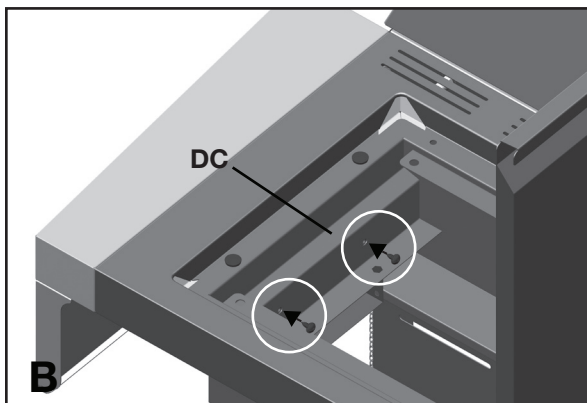
### YOU WILL NEED:



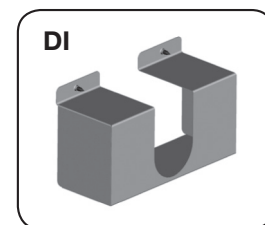
## 9.



Front, right side view

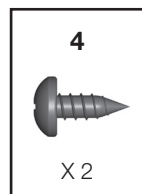


View from above right side shelf



a. Assemble the Infrared Side Burner Wind Shield (DI) to the Infrared Support Frame (DC), as shown in figure A and B.

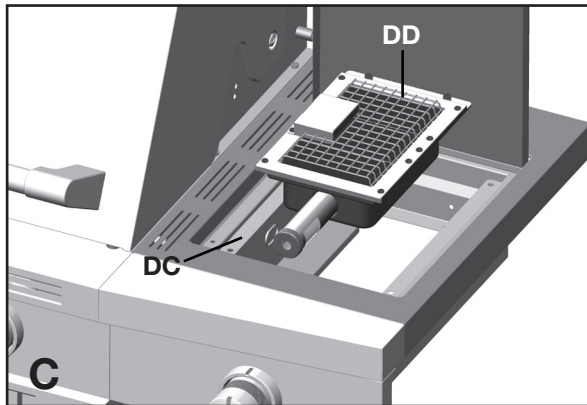
### YOU WILL NEED:



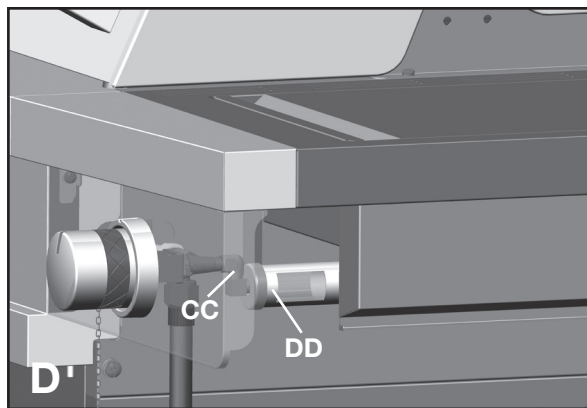
**NOTE:** Two people recommended.

# ASSEMBLY INSTRUCTIONS

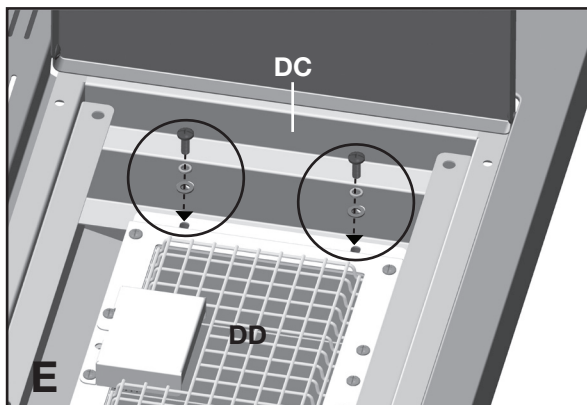
## 9.



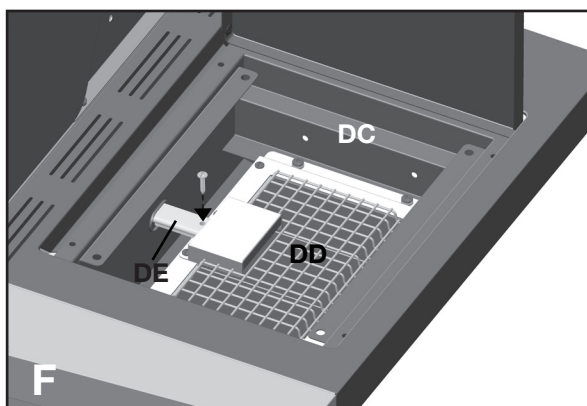
Front, right side view



View from underneath right side shelf



View from above right side shelf






View from above right side shelf

b. Position the Infrared Zone Side Burner (DD) through the opening in the Infrared Support Frame (DC).

c. Make sure that the Infrared Zone Side Burner (DD) engages the Side Burner Valve (CC) gas jet, as shown in figure D.


d. Assemble the Infrared Zone Side Burner (DD) to the Infrared Zone Support Frame (DC), at the 2 points indicated in figure E.

### YOU WILL NEED:

<b>3</b>	<b>9</b>	<b>10</b>
		
X 2	X 2	X 2

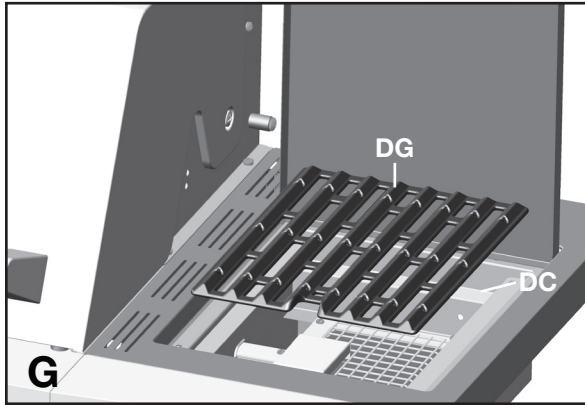
e. Feed the Infrared Zone Electrode set (DE) from underneath the Infrared Zone Side Burner (DD), through the small opening on the left side of the Infrared Zone Support Frame (DC). Align and assemble the electrode using the self tapping screw provided, as shown in figure F.

### YOU WILL NEED:

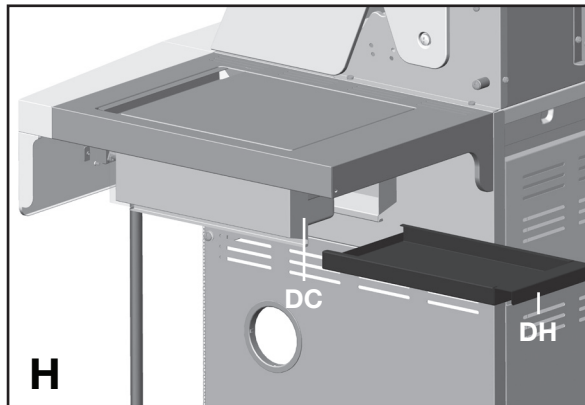
<b>5</b>

X 1

# ASSEMBLY INSTRUCTIONS

## 9.



Front, right side view

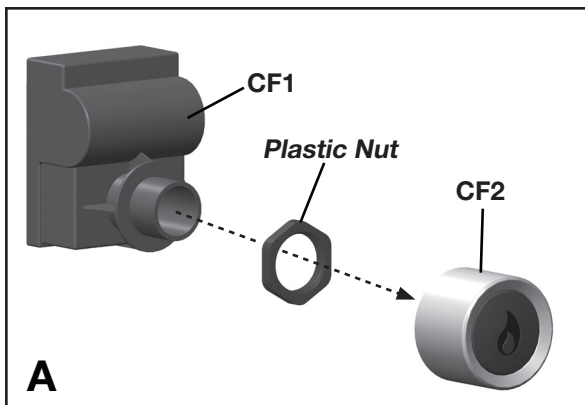


Back, right side view

f. Position the Infrared Zone Cooking Grate (DG) on the Infrared Zone Support Frame (DC).

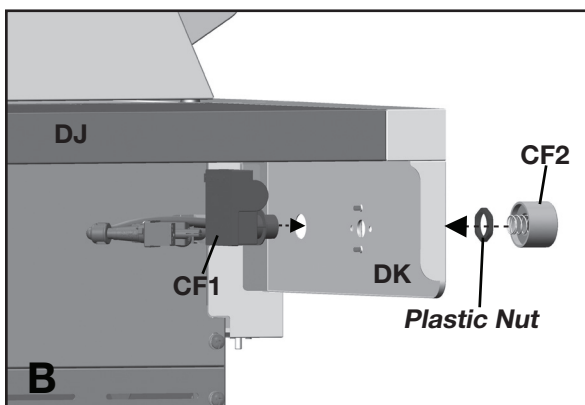
g. Insert the Infrared Grease Tray (DH) into the back of the Infrared Zone Support Frame (DC), as shown.

## 10.



**A**

a. Remove the Electronic Ignition Battery Cap (CF2) and the plastic nut from the Electronic Ignition Assembly (CF1).

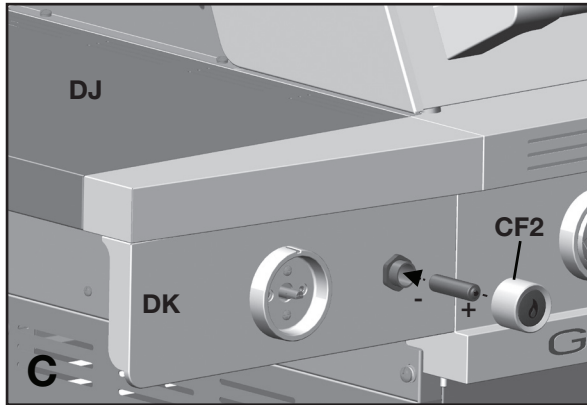


View under left side shelf

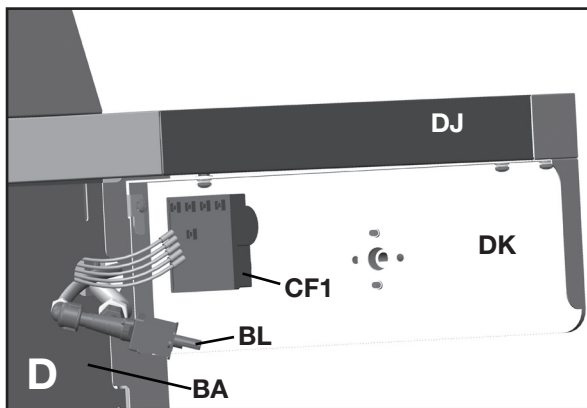
b. Feed the Electronic Ignition Assembly (CF1) through the opening in the Left Side Shelf Fascia (DK) and secure using the nut.

# ASSEMBLY INSTRUCTIONS

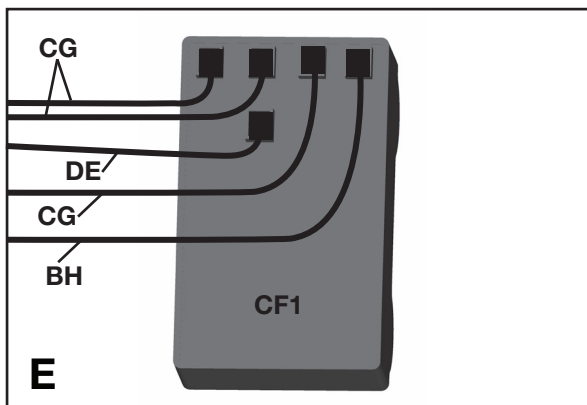
## 10.



Front, left side view



View under left side shelf



c. Insert one “AA” battery into the battery compartment with the positive end facing outward, as shown. Secure using the Electronic Ignition Battery Cap (CF2).

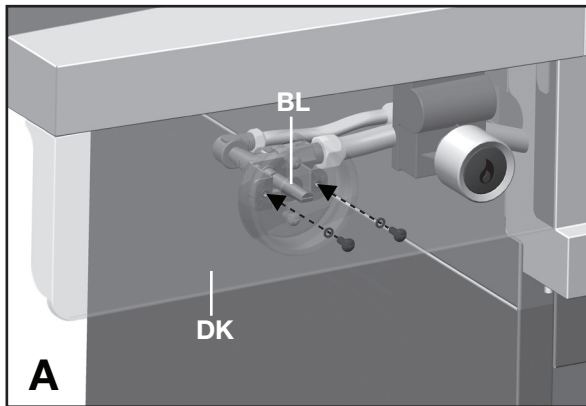
**TIP:** The Electrode set for Main Burner (CG), the Electrode wire for Infrared Zone (DE), the Electrode wire for Rotisserie Burner (BH) can be found fastened together with the Rotisserie Valve (BL) hanging from the left side of Control Panel on the outside of the burner box (BA), as shown.

d. Insert all Electrode wires (CG, DE, BH) into the Electronic Ignition Assembly (CF1), as shown in figure E.

**NOTE:** All electrode wire connection points are the same size.

# ASSEMBLY INSTRUCTIONS

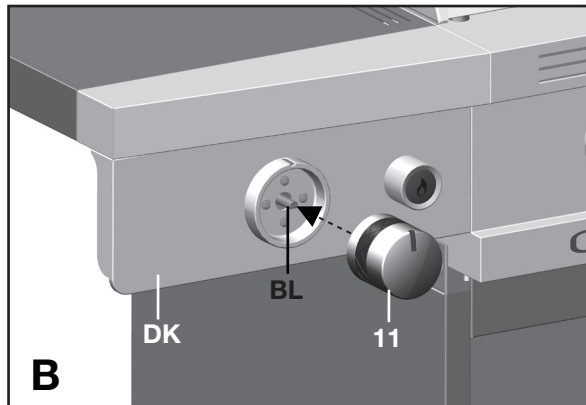
## 11.



Front, left side view

a. Remove the hardware that is pre-assembled to the Rotisserie Valve bracket (BL), as shown in figure A.

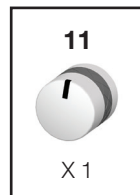
b. Insert the Rotisserie Burner Valve stem (BL) through the rear of the Left Side Shelf Fascia (DK). Assemble the Rotisserie Valve (BL) to the Side Shelf Fascia (DK), using the hardware removed (figure A).



Front, left side view

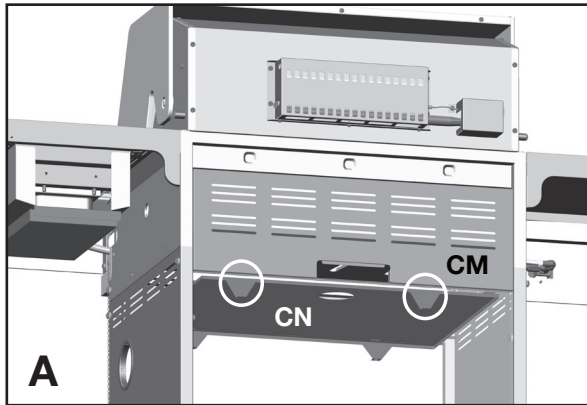
c. Assemble the Control Knob (#11) to the Rotisserie Valve (BL).

### YOU WILL NEED:



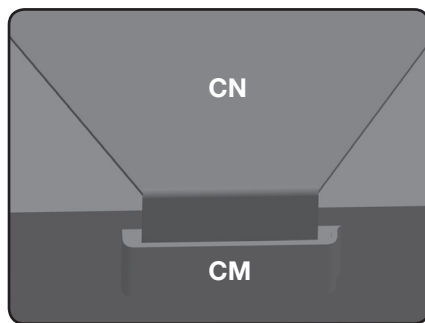
# ASSEMBLY INSTRUCTIONS

## 12.

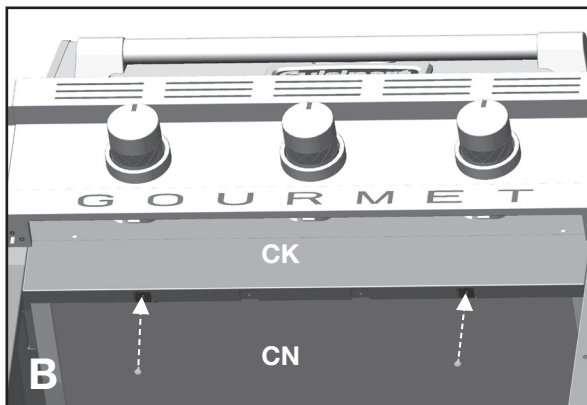


Back view

- a. Position the Heat Shield (CN) into the two hooks located on the bottom of the Upper Back Panel (CM), as shown in figure A.



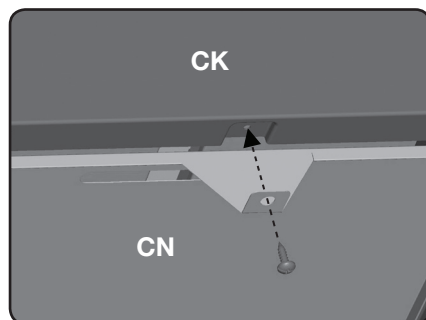
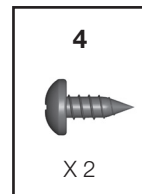
Close up, back



Front view

- b. Assemble the Heat Shield (CN) to the bottom of the Front Brace (CK), as shown in figure B.

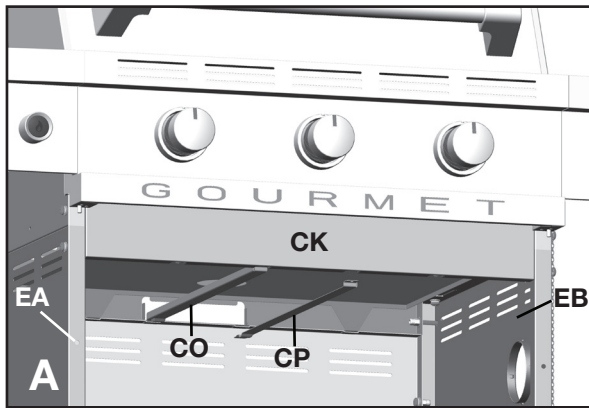
### YOU WILL NEED:



Close up, front

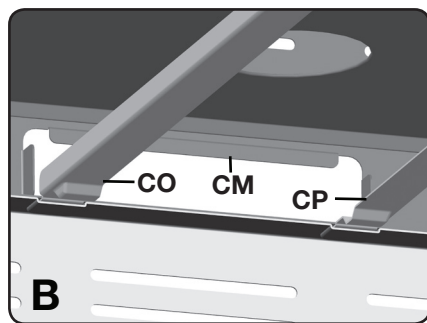
# ASSEMBLY INSTRUCTIONS

## 13.



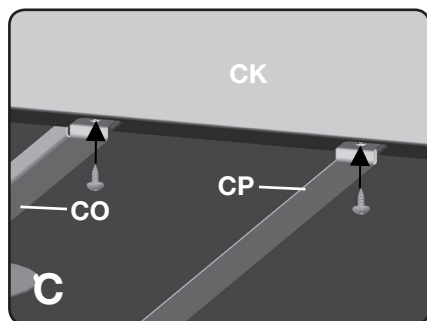
Front view

- a. Assemble the Left and Right Tracks (CO and CP) for the Grease Tray (CL), as shown in figure A-C.



Close up, back

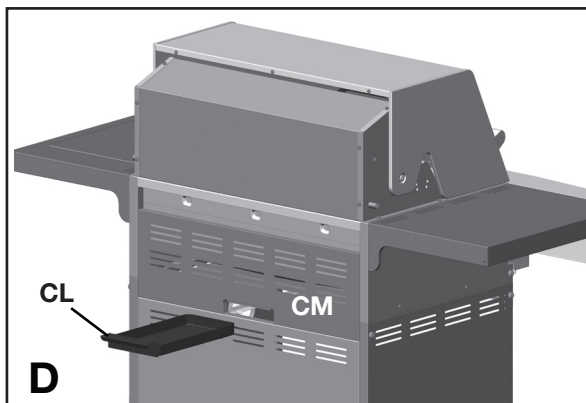
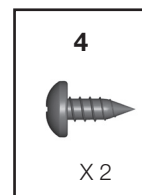
- b. Both the Left and Right Tracks (CO and CP) should be inserted into the two clips located on the Upper Back Panel (CM), as shown in figure B.



Close up, front

- c. Assemble the front of the Left and Right Tracks (CO and CP) to the Front Brace (CK), as shown in figure C.

### YOU WILL NEED:

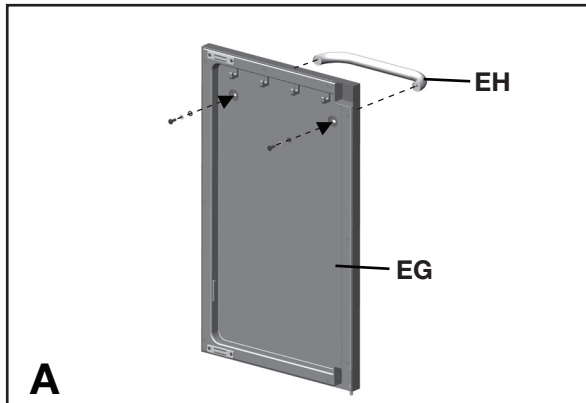


Back view

- d. Insert the Grease Tray (CL) into the opening of the Upper Back Panel (CM).

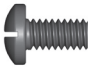


# ASSEMBLY INSTRUCTIONS

## 14.



Assemble the Door Handle (EH) to the Left and Right Door Assembly (EF and EG) as shown in figure A.

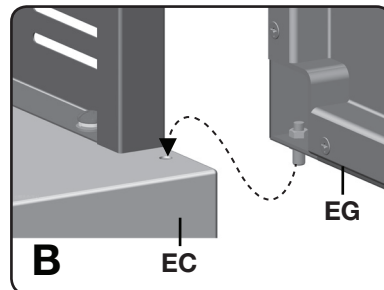
### YOU WILL NEED:

<b>3</b>	<b>9</b>	<b>10</b>
		
X 4	X 4	X 4

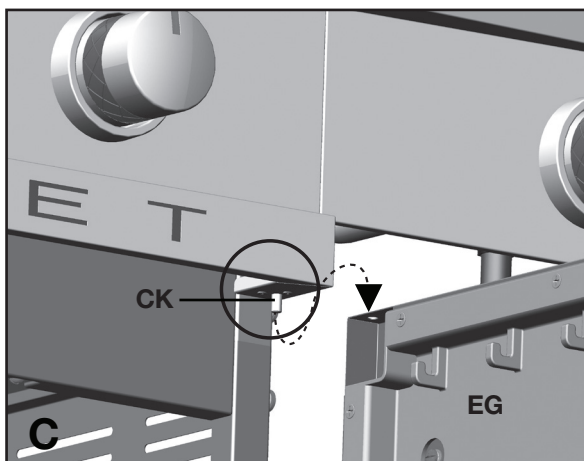
## 15.



a. Assemble the Right Door Assembly (EG), to the Bottom Shelf (EC) by inserting the fixed pin (bottom of door) into the hole provided (figure B).



Bottom of door



Top of door

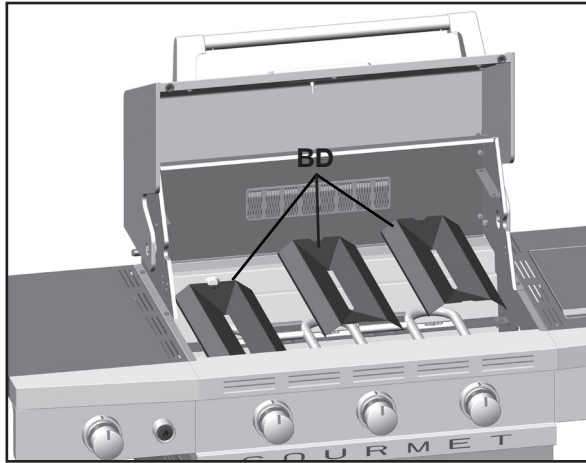
b. Assemble the top of the Door Assembly (EG) to the Front Brace (CK), by pressing in the door support pin and aligning with the hole located on the top right corner of the door.

**TIP:** Use a paint scraper to press-in the support pin, while the second person aligns the door. The support pin will lock into position when the door is assembled correctly.

c. Repeat steps a and b for the Left Door Assembly (EF).

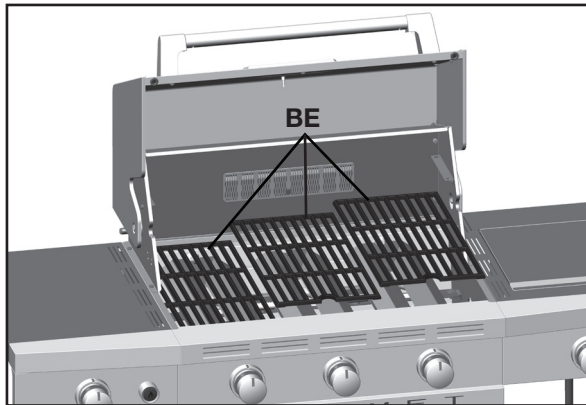
# ASSEMBLY INSTRUCTIONS

16.



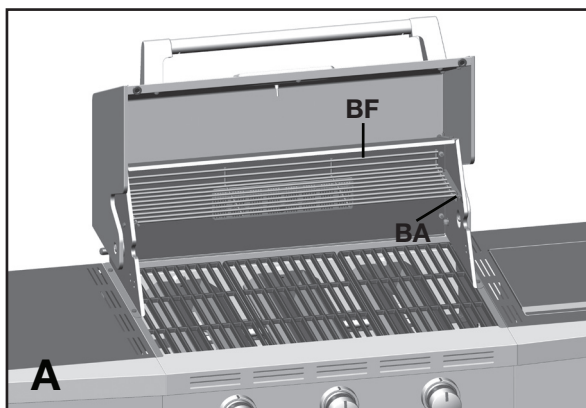
Place the Flame Tamers (BD) into the Burner Box (BA).

17.

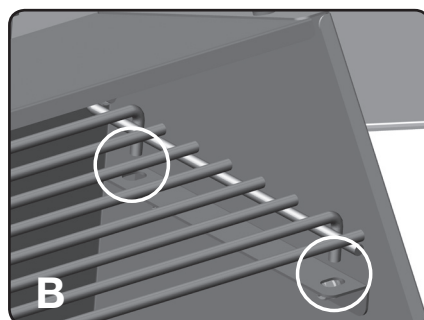


a. Place the Cooking Grates (BE) into the Burner Box (BA), as shown.

18.



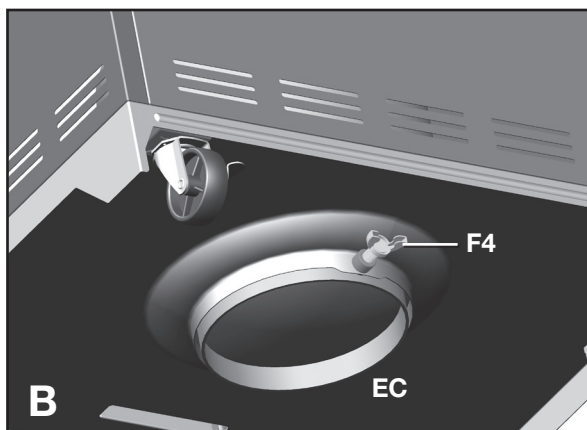
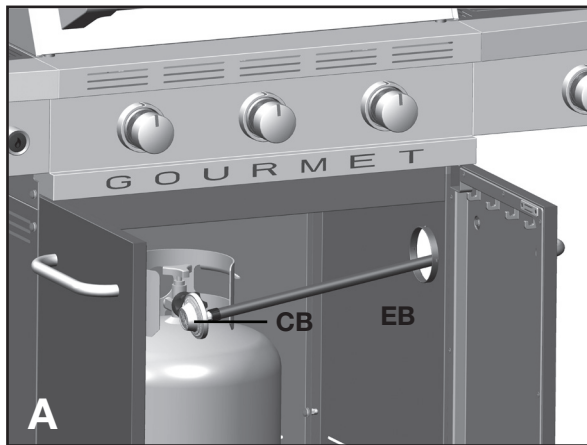
b. Assemble the Warming Rack (BF) by inserting the fixed pins into the warming rack support bars located on the Burner Box (BA), as shown in figure A and B.



Close up

# ASSEMBLY INSTRUCTIONS

## 19.



### FOR PROPANE MODELS ONLY.

**For natural gas model, follow step 20.**

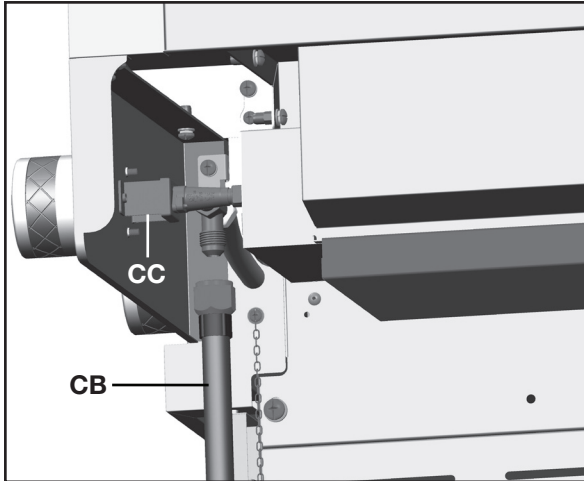
- Position the Regulator Hose (CB) through the hole in the Right Side Panel (EB).
- Position the 20 lb propane tank onto the Bottom Shelf (EC), and secure using the Bolt (F4) (already attached) located on the underside of the Bottom Shelf, as shown in figure B.
- Attach the regulator coupling nut to the LP cylinder valve. Be careful not to cross thread. Hand tighten only.
- Perform Leak Test. See page 5 of the Cuisinart® Safety and Care Manual.

**⚠ ATTENTION:** For your families safety, do not attempt to light this BBQ until you have reviewed pages 4-7 of the Cuisinart® Safety & Care Manual.  
**All Safety and Leak Test MUST BE PERFORMED BY THE END USER, prior to lighting this BBQ.**

**⚠ WARNING** Do not store extra propane tanks within BBQ cart.

## ASSEMBLY INSTRUCTIONS

# 20.



### FOR NATURAL GAS MODEL ONLY.

- Attach the Natural Gas Hose (CB) to the Side Burner Valve (CC) as shown.
- Perform Leak Test. See page 6 of the Cuisinart® Safety and Care Manual.

**⚠ ATTENTION:** In order to complete installation of your Natural Gas BBQ a 1/2" or 3/8" adapter may be required to connect your BBQ's Natural Gas hose to your home gas supply. Contact your Natural Gas supplier to purchase the necessary part.

**⚠ ATTENTION:** For your families safety, do not attempt to light this BBQ until you have reviewed pages 4-7 of the Cuisinart® Safety & Care Manual.  
**All Safety and Leak Test MUST BE PERFORMED BY THE END USER, prior to lighting this BBQ.**

# Cuisinart®

Visit [www.cuisinartbbqs.com](http://www.cuisinartbbqs.com)  
to complete product registration.

**Cuisinart® Gourmet Barbecues Customer Service:**  
**1-800-309-3452**

**Join the conversation**



[facebook.com/cuisinartbbqs](https://facebook.com/cuisinartbbqs)



[twitter.com/cuisinartbbqs](https://twitter.com/cuisinartbbqs)