

This Owner's Manual is provided and hosted by [Appliance Factory Parts](#).



Alfresco AGBQ-30B Owner's Manual

[Shop genuine replacement parts for Alfresco
AGBQ-30B](#)



[Find Your Alfresco Grill Parts - Select From 126 Models](#)

----- Manual continues below -----

Alfresco™

Open Air Culinary Systems



AGBQ-30B

BUILT-IN 30" BBQ GRILL WITH DUAL BURNERS

Alfresco™
SUPERIOR EQUIPMENT SOLUTIONS
7039 EAST SLAUSON AVENUE
COMMERCE, CA. 90040

THE INFORMATION CONTAINED IN THIS DRAWING IS THE SOLE PROPERTY OF SUPERIOR EQUIPMENT SOLUTIONS INC. ANY REPRODUCTION IN PART OR AS A WHOLE WITHOUT WRITTEN PERMISSION FROM SUPERIOR EQUIPMENT SOLUTIONS, INC. IS PROHIBITED.

DRAWN BY: ADRIAN CRISCI
CREATED: 8/31/2009 7:40:08 AM

PROJECT TITLE:
ABGQ-30B

DRAWING TITLE:
AGBQ-30B - BUILDER'S MODEL

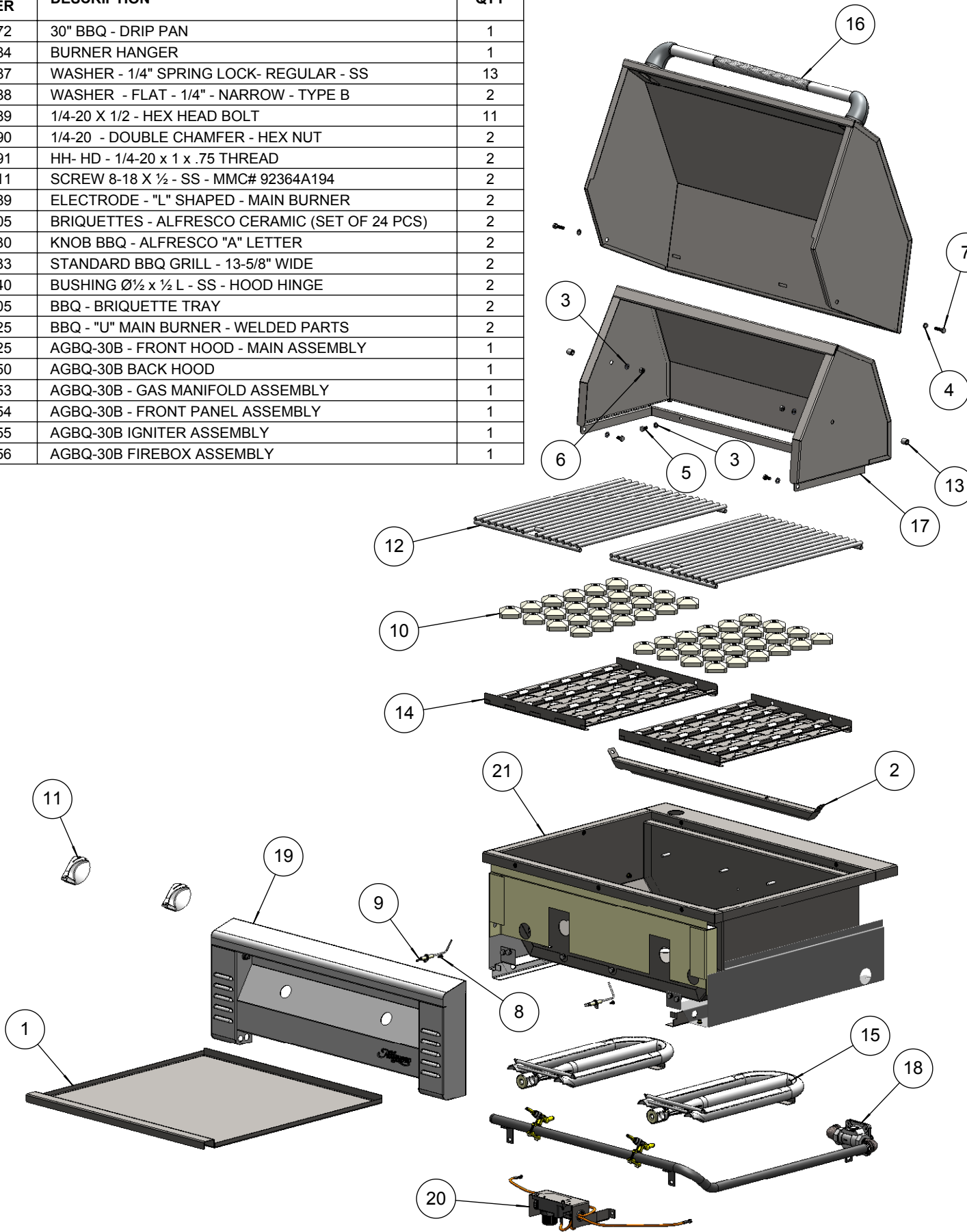
DRAWING NO.:

500-00

SHEET 1 OF 1

BILL OF MATERIAL

NO.	PART NUMBER	DESCRIPTION	QTY
1	150-0372	30" BBQ - DRIP PAN	1
2	150-0384	BURNER HANGER	1
3	200-0087	WASHER - 1/4" SPRING LOCK- REGULAR - SS	13
4	200-0088	WASHER - FLAT - 1/4" - NARROW - TYPE B	2
5	200-0089	1/4-20 X 1/2 - HEX HEAD BOLT	11
6	200-0090	1/4-20 - DOUBLE CHAMFER - HEX NUT	2
7	200-0091	HH- HD - 1/4-20 x 1 x .75 THREAD	2
8	200-0111	SCREW 8-18 X 1 1/2 - SS - MMC# 92364A194	2
9	210-0189	ELECTRODE - "L" SHAPED - MAIN BURNER	2
10	265-0005	BRIQUETTES - ALFRESCO CERAMIC (SET OF 24 PCS)	2
11	290-0030	KNOB BBQ - ALFRESCO "A" LETTER	2
12	290-0033	STANDARD BBQ GRILL - 13-5/8" WIDE	2
13	290-0040	BUSHING Ø½ x ½ L - SS - HOOD HINGE	2
14	510-0005	BBQ - BRIQUETTE TRAY	2
15	510-0025	BBQ - "U" MAIN BURNER - WELDED PARTS	2
16	510-0325	AGBQ-30B - FRONT HOOD - MAIN ASSEMBLY	1
17	510-0450	AGBQ-30B BACK HOOD	1
18	510-0453	AGBQ-30B - GAS MANIFOLD ASSEMBLY	1
19	510-0454	AGBQ-30B - FRONT PANEL ASSEMBLY	1
20	510-0455	AGBQ-30B IGNITER ASSEMBLY	1
21	510-0456	AGBQ-30B FIREBOX ASSEMBLY	1



THE INFORMATION CONTAINED IN THIS DRAWING IS THE SOLE PROPERTY OF SUPERIOR EQUIPMENT SOLUTIONS INC. ANY REPRODUCTION IN PART OR AS A WHOLE WITHOUT WRITTEN PERMISSION FROM SUPERIOR EQUIPMENT SOLUTIONS, INC. IS PROHIBITED.

DRAWN BY: ADRIAN CRISCI
CREATED: 8/31/2009 9:08:01 AM

PROJECT TITLE:
AGBQ-30B

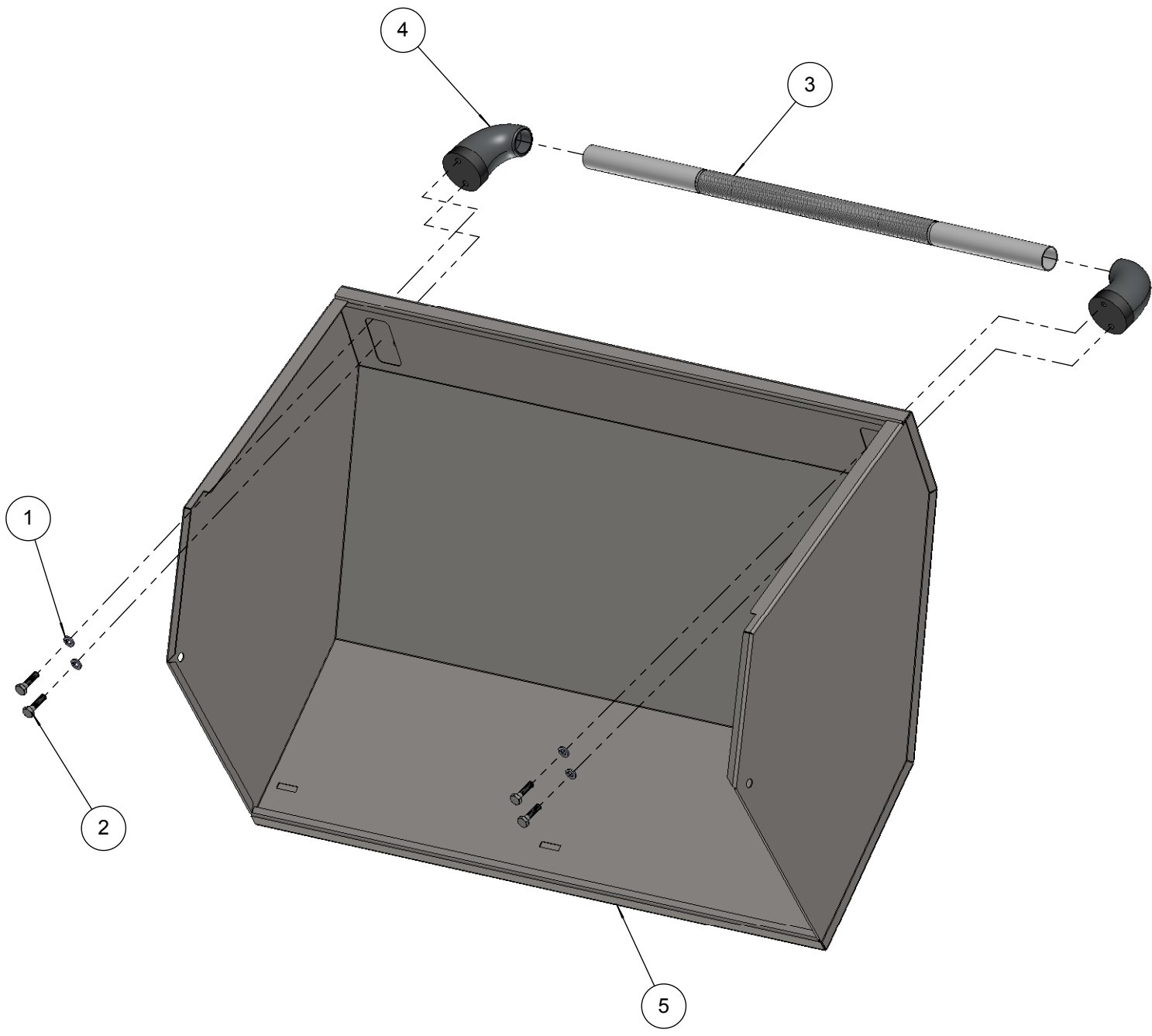
DRAWING TITLE:
AGBQ-30B - BUILDER'S MODEL

DRAWING NO.:
500-008

SHEET 1 C

BILL OF MATERIAL

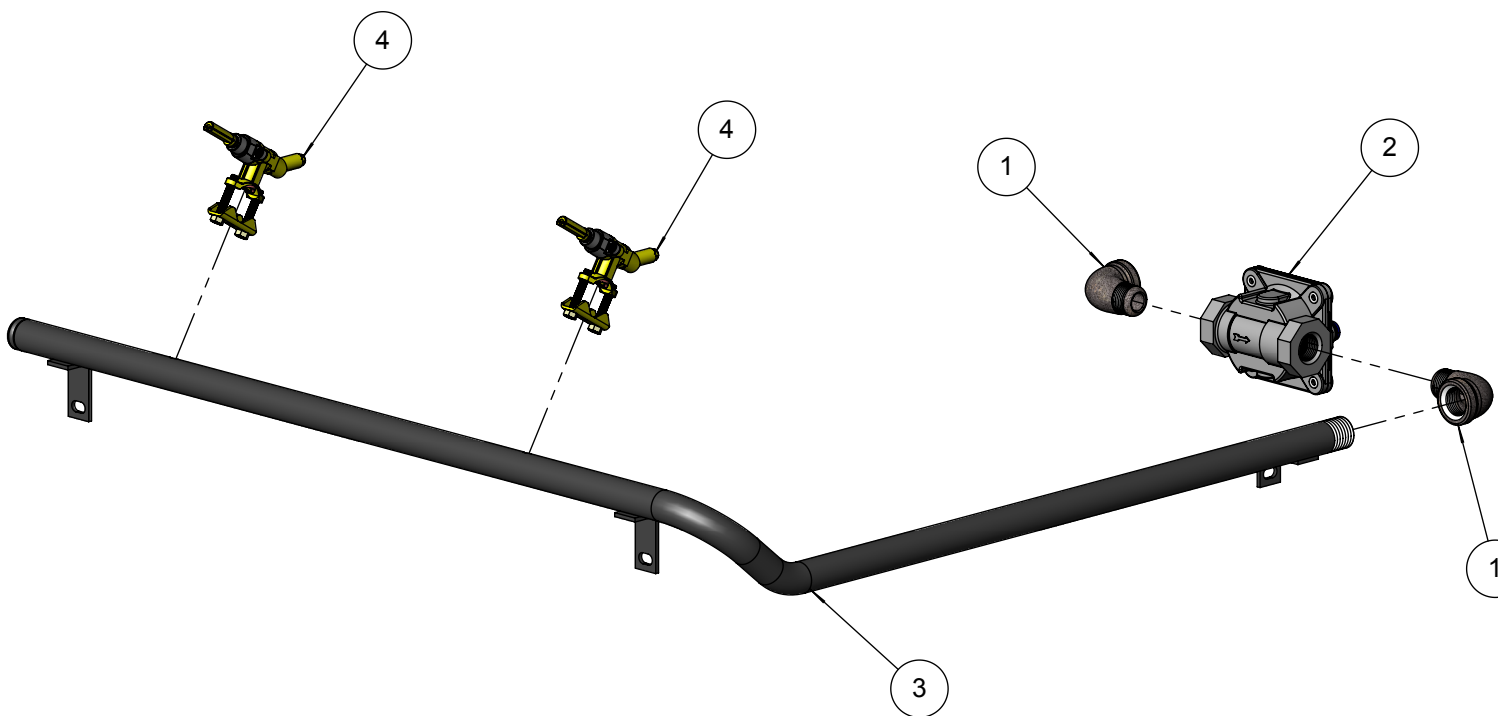
NO.	PART NUMBER	DESCRIPTION	QTY
1	200-0087	WASHER - 1/4" SPRING LOCK- REGULAR - SS	4
2	200-0091	HH- HD - 1/4-20 x 1 x .75 THREAD	4
3	290-0029	HANDLE BAR - 24" KNURLED	1
4	290-0063	HANDLE - END CAP ASSEMBLY	2
5	510-0326	AGBQ-30B - FRONT HOOD - WELDED PARTS	1



BILL OF MATERIAL

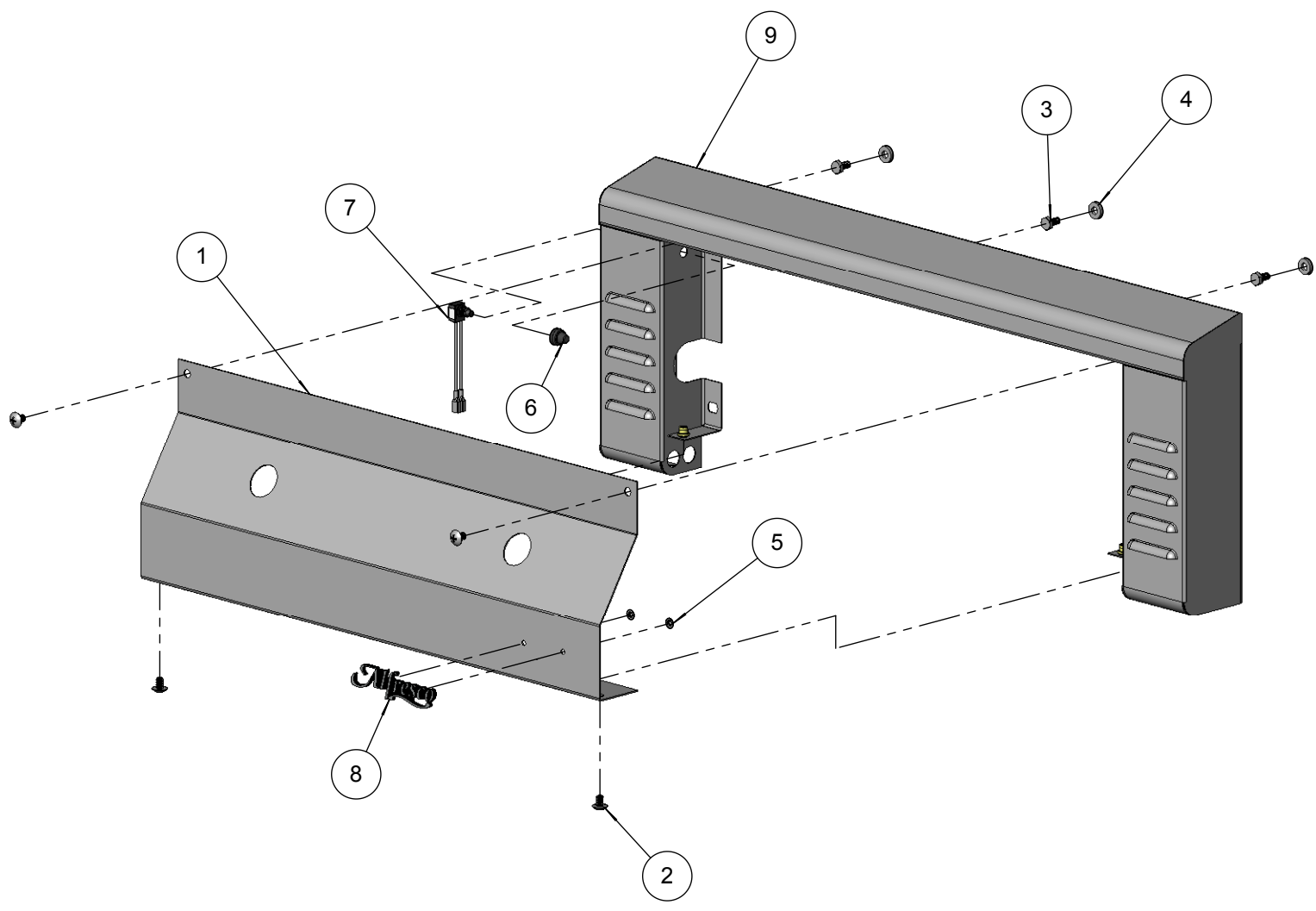
NO.	PART NUMBER	DESCRIPTION	QTY.
1	200-0274	ELBOW 90°- CAST IRON - 1/2" FPT x 1/2" MPT	2
2	220-0280	REGULATOR GAS - MAXITROL RV48CL440002	1
3	220-0391	AGBQ-30B GAS MANIFOLD	1
4	SEE NOTE	GAS VALVE - ANGLED WITH ORIFICE >>> SEE NOTE	2

NOTE: THE GAS VALVES WILL CHANGE DEPENDING UPON THE GAS SUPPLY.
 FOR NATURAL GAS (NG) USE PART NUMBER 290-0064
 FOR LIQUID PROPANE (LP) USE PART NUMBER 290-0065



BILL OF MATERIAL

NO.	PART NUMBER	DESCRIPTION	Default/QUANTITY.
1	100-0969	AGBQ-30B - FRONT PANEL	1
2	200-0086	1/4-20 X 3/8 - TRUSS HEAD - PHILIPS SCREW	4
3	200-0089	1/4-20 X 1/2 - HEX HEAD BOLT	3
4	200-0092	1/4 X 1/8 X 5/8 FLAT WASHER - SPACER	3
5	200-0093	WASHER - PUSH LOCK 1/8" ID X 3/8" OD (FOR LOGO)	2
6	210-0198	SWITCH - WEATHER BOOT & CAP	1
7	210-0443	SWITCH BBQ IGNITER ONLY- OFF-[ON] MOMENTARY	1
8	290-0031	LOGO - ALFRESCO	1
9	510-0021	30" BBQ - FRONT - WELDED PARTS	1



THE INFORMATION CONTAINED IN THIS DRAWING IS THE SOLE PROPERTY OF SUPERIOR EQUIPMENT SOLUTIONS INC. ANY REPRODUCTION IN PART OR AS A WHOLE WITHOUT WRITTEN PERMISSION FROM SUPERIOR EQUIPMENT SOLUTIONS, INC. IS PROHIBITED.

DRAWN BY: ADRIAN CRISCI
CREATED: 8/31/2009 2:22:26 PM

PROJECT TITLE:
AGBQ-30B

DRAWING TITLE:
AGBQ-30B - FRONT PANEL ASSEMBLY

DRAWING NO.:
510-0021

SHEET 1 OF 1

BILL OF MATERIAL

NO.	PART NUMBER	DESCRIPTION	QTY.
1	100-0903	IGNITER HOLDER BRACKET	1
2	200-0079	8-32 X 3/4 - PAN HEAD - PHILIPS SCREW	2
3	200-0080	8-32 - DOUBLE CHAMFER - HEX NUT	2
4	200-0081	BUSHING HEYCO OCB-1000 - PART # 2878	2
5	210-0195	IGNITER MODULE - 2 POINTS (WITH CAP)	1
6	210-0211	BBQ IGNITER WIRE - 18.5" - 1/4"+1/8" F-SPADE	1
7	210-0213	BBQ IGNITER WIRE - 11" - 1/4' X 1/8" F-SPADE	1

