

This Owner's Manual is provided and hosted by [Appliance Factory Parts](#).



DCS PBE1-24-L Owner's Manual

[Shop genuine replacement parts for DCS PBE1-24-L](#)



[Find Your DCS Grill Parts - Select From 274 Models](#)

----- Manual continues below -----



POWER BURNER



PBE1-24-L DCS US CA

PRODUCT CODE: 71414-A

PARTS MANUAL

US CA

INTRODUCTION

BRAND	VOLTAGE	MODEL	PRODUCT CODE
Fisher & Paykel	120VAC 60Hz	PBE1-24-L DCS CA	71414-A

MODEL

The model covered by this manual is listed on the front cover. The information detailed in this manual is subject to change without notice. The latest version is indicated by the reprint date and replaces any earlier editions.

KIT PARTS

Where a part number is shown against the descriptions for kit components, they are also available as separate items. In addition, some parts may be supplied with these kits that are not available as separate items, and are therefore either not listed, or a part number is not shown against the part description in this manual.

PARTS LIST KEY

NI	As a part reference, indicates the part is not illustrated on the diagram.
NOT USED	As a part number, indicates the diagram part reference is not used in this manual.
NS	As a part number, indicates the part is not servicable.

US

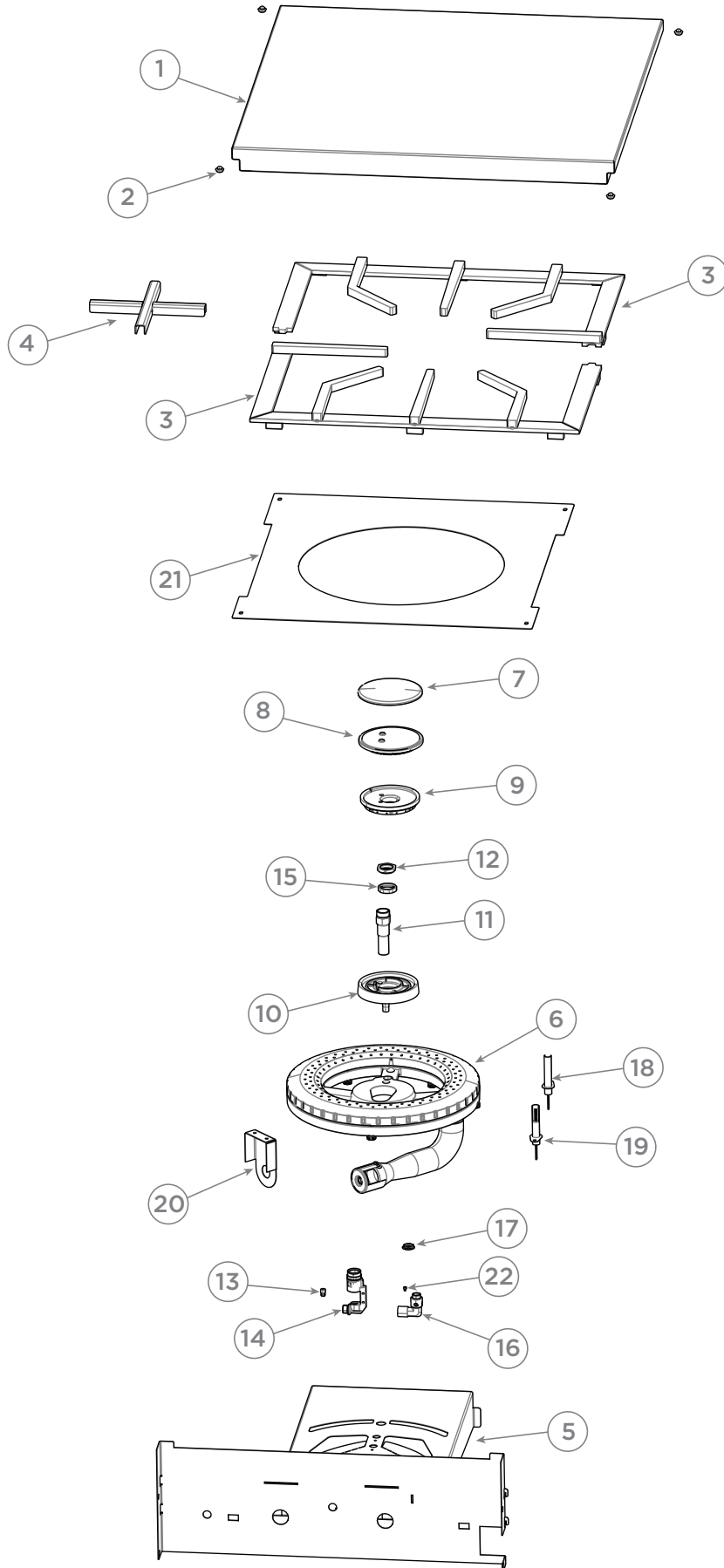
Fisher & Paykel Appliances Inc.
695 Town Center Drive, Suite 180
Costa Mesa.
CA 92626-1902
USA

Customer Care: 1-888-936-7872
Fax: (714) 372-7003
email: customer.care@fisherpaykel.com

CONTENTS

Introduction	1
Power burner components	3
Valve panel components	5
Manifold components	7
Wiring & electrical components	9
Structure components	11

BURNER COMPONENTS

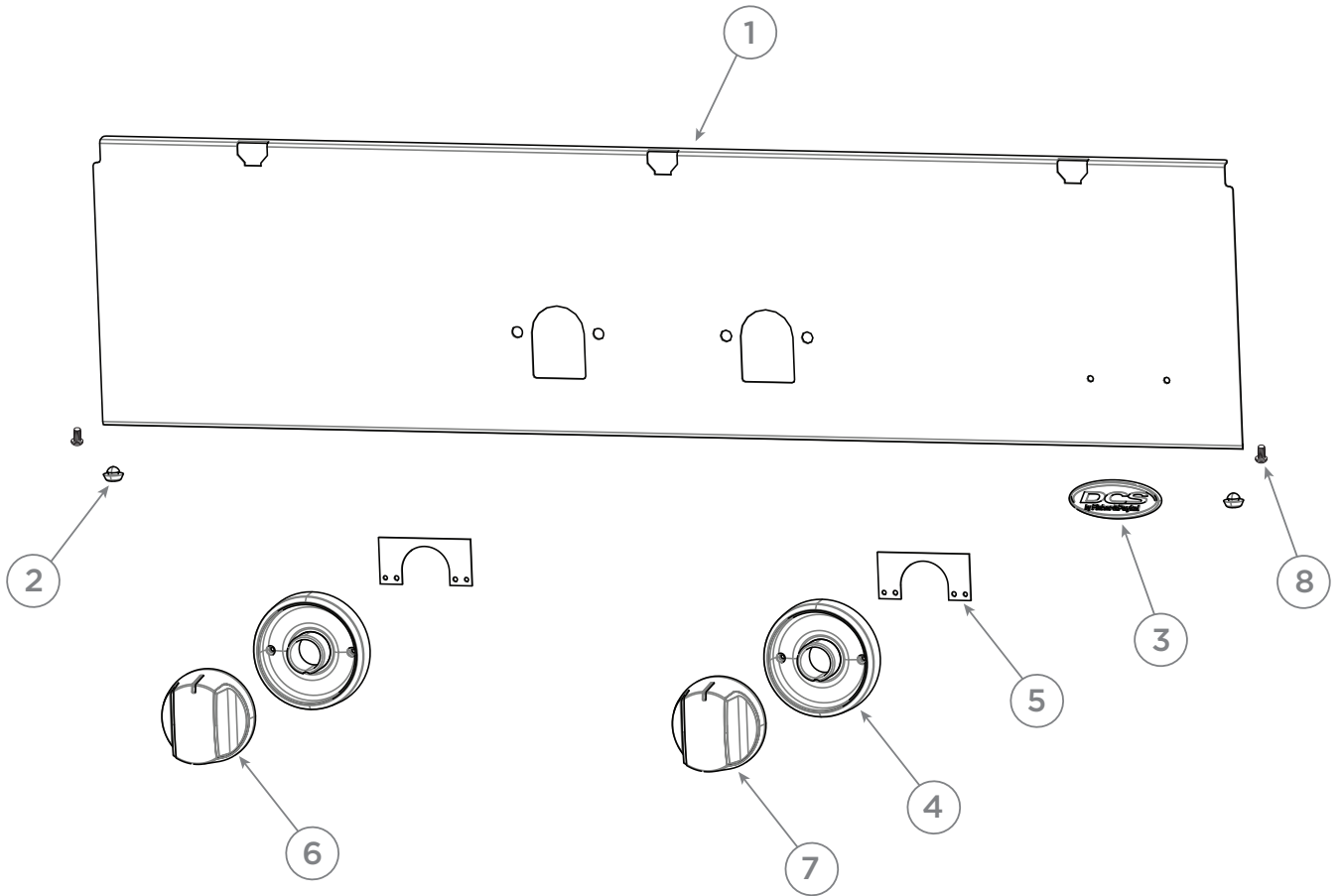


DWG 005417

BURNER COMPONENTS

REFERENCE	PART NUMBER	PART DESCRIPTION
1	254260P	LID ASSY PBE1-24 SP
2	212359P	RUBBER BUMPER (4PK)
3	254214P	TRIVET ASSY WELDED SS PBE1 SP
4	254503P	INSERT TRIVET REMOVABLE W/A SP
5	254467	SUPPORT BURNER W/ASSY PBE1-24
NI	211248P	SM 6-32X3/8 PH PAN TY F SS (10PK)
NI	211278P	SCREW 10-24 X 3/8 PH SS (PKT 10)
6	254160P	BURNER ASSY OUTER CAST PBE1 SP
7	210608P	D BURNER CAP (1PK)
8	248603	RING 3MM D-PORT DUAL STAGE
9	239124	RING SIMMER D BURNER
10	254328	D BURNER BASE PBE1
11	210913P	VENTURI W/CHAMFER (1PK)
12	211526P	NUT W/CHAMFER (1PK)
13	249132P	JET MAIN DCS 1.24MM
14	249126P	JET HOLDER MAIN 1.24MM
	Includes 249132	JET MAIN DCS 1.24MM
15	210468P	NUT M22 JET HOLDER (PKD)
16	245996P	JET HOLDER SIMMER ASSY #79 (PK
	Includes 210573	JET SIMMER 0.37MM (G)
17	211502	NUT SIMMER JET HOLDER
18	254306P	HSI PB OUTER SP
19	254466P	HSI PB INNER SP
20	254418	JET HOLDER
NI	211248P	SM 6-32X3/8 PH PAN TY F SS (10PK)
21	254229P	HOB FLAT PBE1-24 SP
NI	211242P	SM 10-12 X 1/2PHPAN TY F 4SS (10PK)
22	210573	JET SIMMER 0.37MM (G)
NI	592069	BK UG DCS PWR BRNR 24 USCA
NI	592070	BK INSTL DCS PWR BRNR 24 USCA
NI	590912	BK SRVCE/W'NTY OUTDR DCS USCA

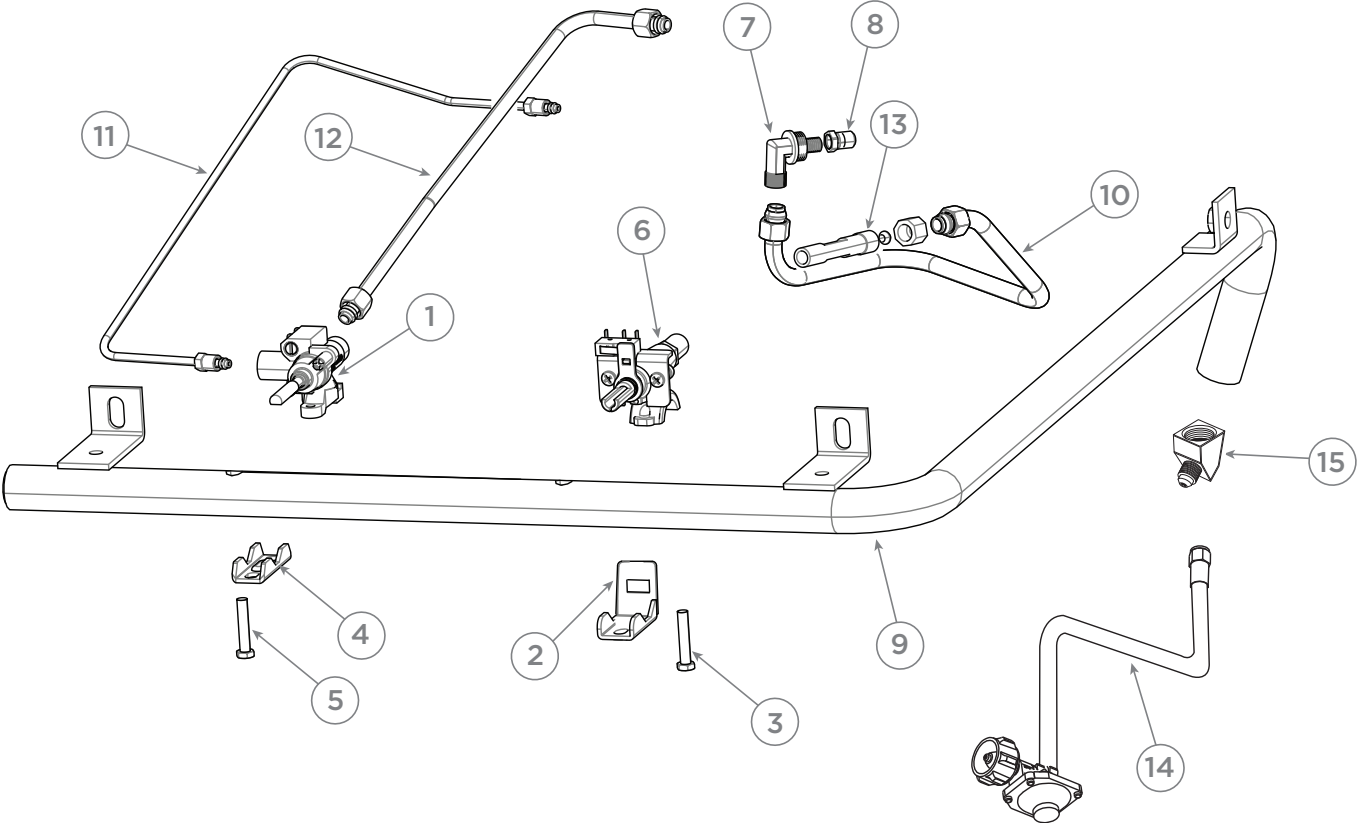
VALVE PANEL COMPONENTS



VALVE PANEL COMPONENTS

REFERENCE	PART NUMBER	PART DESCRIPTION
1	254457P	VALVE PANEL PBE1-24 W GFX SP
2	212359P	RUBBER BUMPER (4PK)
3	237567	BADGE, 2.42"
4	251621	MOD LED BEZEL ORNG WHT 12V
5	251669	PLATE BEZEL SUPPORT BE1
6	254300	DIAL & SPRING ASSY GDE1-30
7	251677	DIAL CLIP ASSY DCS BE1
8	211278P	SCREW 10-24 X 3/8 PH SS (PKT 10)

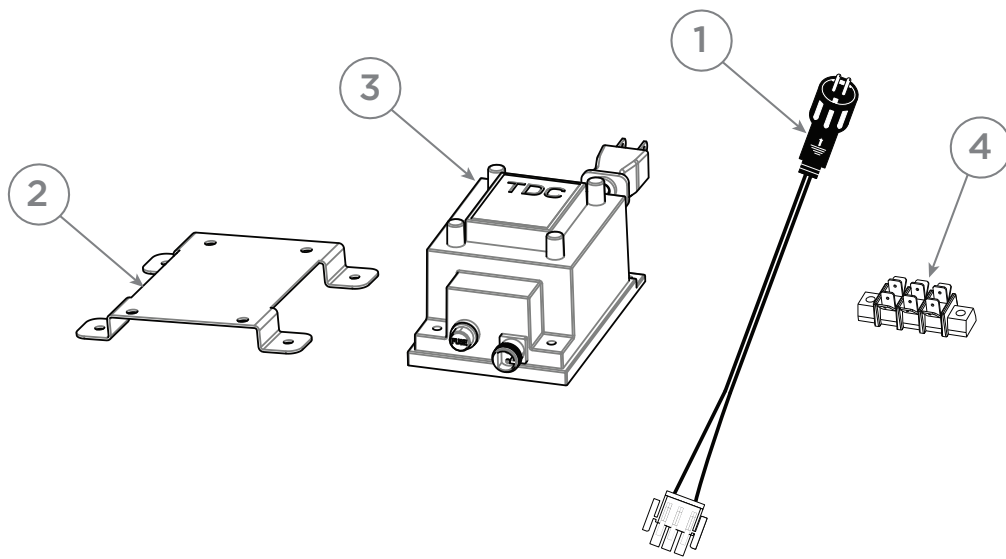
MANIFOLD COMPONENTS



MANIFOLD COMPONENTS

REFERENCE	PART NUMBER	PART DESCRIPTION
1	254329	VALVE PBE1 LG
2	240378	CLAMP, SADDLE VALVE
3	211342P	MS 10-32 X 1 HEXHD ZN (PKT 10)
4	210506	CLAMP VALVE
5	240380	MS M5 X 25, HEX PH WSHR
6	240184	VALVE SADDLE MAIN, OUTDOOR
7	212396	ELBOW 3/8 F X 5/16 M
8	210684	JET SPUD 1.93MM (48DMS)
NI	254536	KIT DOWNRATE 60K PBE1-L
9	254494	MANIFOLD ASSY ELECPLT PBE1
10	254422	TUBE AFTERBURNER PBE1
11	254421	TUBE SIMMER INNER PBE1
12	254420	TUBE MAIN INNER PBE1
13	254468	SADDLE VALVE EXTENSION BRASS
14	239862P	REG & HOSE ASSY, 2 STAGE (PKD)
15	239586	ELBOW 45,3/8 M FLAREX 1/2F NPT
NI	211323P	HB 1/4-20 X 1/2 X FULL SS (10PK)
NI	211368P	WSHR FLT .313 X .750 SS (10PK)

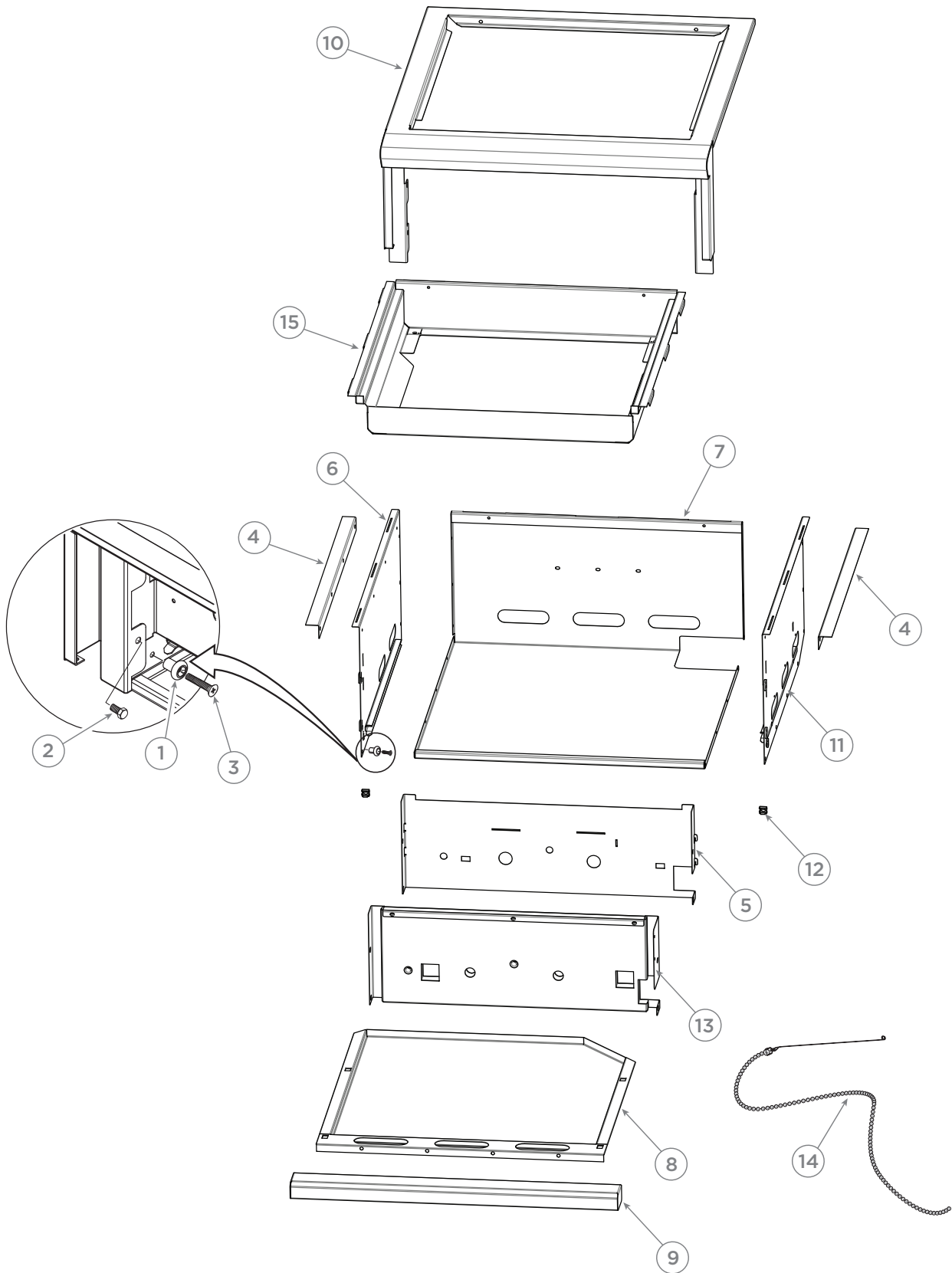
WIRING & ELECTRICAL COMPONENTS



WIRING & ELECTRICAL COMPONENTS

REFERENCE	PART NUMBER	PART DESCRIPTION
NI	254274	HARNESS 24 POWER BURNER
NI	254277	HARNESS INTERNAL POWER
NI	254281	HARNESS BEZEL LINK 190MM
1	254430	CORD POWER 254276 INSPECTED
2	251738	MOUNT POWER SUPPLY GRILL
NI	211287P	MS 10-24X3/4 PH TRU SS (10PK)
NI	211338	MS 10-24 X 1 SL HXWS SS
NI	211394	NUT KEPS 10-24 SS
3	251709	POWER SUPPLY 12V US
4	243935	TERMINAL BLOCK (3-POSITION)
NI	211279P	MS 6-32X5/8 PH RD HD SS (10PK)
NI	211393P	NUT KEPS 6-32 SS (10PK)
NI	71425	POWER SPLITTER BGA-PS DCS (ACCESSORY ONLY)
NI	71422	4FT EXTENSION CABLE BGA-4PC DC (ACCESSORY ONLY)
NI	71423	6FT EXTENSION CABLE BGA-6PC DC (ACCESSORY ONLY)
NI	71424	LIGHT BUTTON BGA-LB DCS (ACCESSORY ONLY)

STRUCTURE COMPONENTS



STRUCTURE COMPONENTS

REFERENCE	PART NUMBER	PART DESCRIPTION
1	211090P	RACK ROLLER VERTICAL (PKD)
2	240208P	HEX BOLT ¼ - 20 X 3/8 SS (10 PK)
3	250184P	MS 10-24X1 PH FLT SS (PKT10)
4	224769	ANGLE, GRILL SUPPORT
NI	211242P	MS 10-24X PH PN TY F SS (10 PK)
5	254335	BAFFLE FRONT GDE1-30
6	240059	SIDE OUTER W/A, LH
7	254154	BOTTOM BACK PBE1-24
8	254152	DRIP PAN PBE1-24
9	254489P	HANDLE DRIP PAN PBE124 GFX SP
NI	211394	NUT KEPS 10-24 SS
NI	211278P	SCREW 10-24 X 3/8 PH SS (PKT 10)
10	254145P	LANDING LEDGE WA PBE1-24 SP
11	240060	SIDE OUTER W/A, RH
12	211408P	NUT W/RET 1/4-20 BLK (10PK)
NI	211279P	MS 6-32X5/8 PH RD HD SS (10PK)
NI	211393P	NUT KEPS 6-32 SS (10PK)
13	254157	BAFFLE INSULATED ASSY
14	240757	WAND MATCH LIGHT ASSY
15	254234P	SUPPORT HOB WA PBE1-24 SP
NI	240469	TRIM EDGE

FISHERPAYKEL.COM

© Fisher & Paykel Appliances Ltd 2020. All rights reserved.

The product specifications in this document apply to the specific products and models described at the date of issue. Under our policy of continuous product improvement, these specifications may change at any time. You should therefore check with your Dealer to ensure this document correctly describes the product currently available.

US CA

PRODUCT CODE: 71414-A 02.20